

PHILCO®



Famous for Quality the World Over

SLOW JUICER
ŠNEKOVÝ ODŠŤAVŇOVAČ
ŠNEKOVÝ ODŠŤAVOVAČ
SOKOWIRÓWKA ŚRUBOWA
CSIGÁS GYÜMÖLCSPRÉS



PHJE 5030

User's Manual
Návod k obsluze
Návod na obsluhu
Instrukcja obsługi
Használati utasítás

CONTENTS

1. IMPORTANT SAFEGUARDS	3
2. PARTS NAME AND ACCESSORIES	4
3. CAUTIONS BEFORE USE	5
4. ASSEMBLY METHOD	5
5. FUNCTIONAL DESCRIPTION	7
6. USAGE	7
7. DISASSEMBLY METHOD	8
8. ICE CREAM MAKING METHOD	9
OPERATING STEPS.....	9
MANGO AND BANANA ICE CREAM.....	9
DRAGON FRUIT ICE CREAM (MAY ADD IN YOGHURT OR MILK ACCORDING TO PERSONAL TASTE)	9
PEACH ICE CREAM	10
9. CARE AND CLEANING	10
CLEANING.....	10
MAINTENANCE	11
10. PRODUCT TECHNICAL PARAMETERS	11

Dear customer,

Thank you for buying a PHILCO brand product. So that your appliance serves you well, please read all the instructions in this user's manual.

1. IMPORTANT SAFEGUARDS

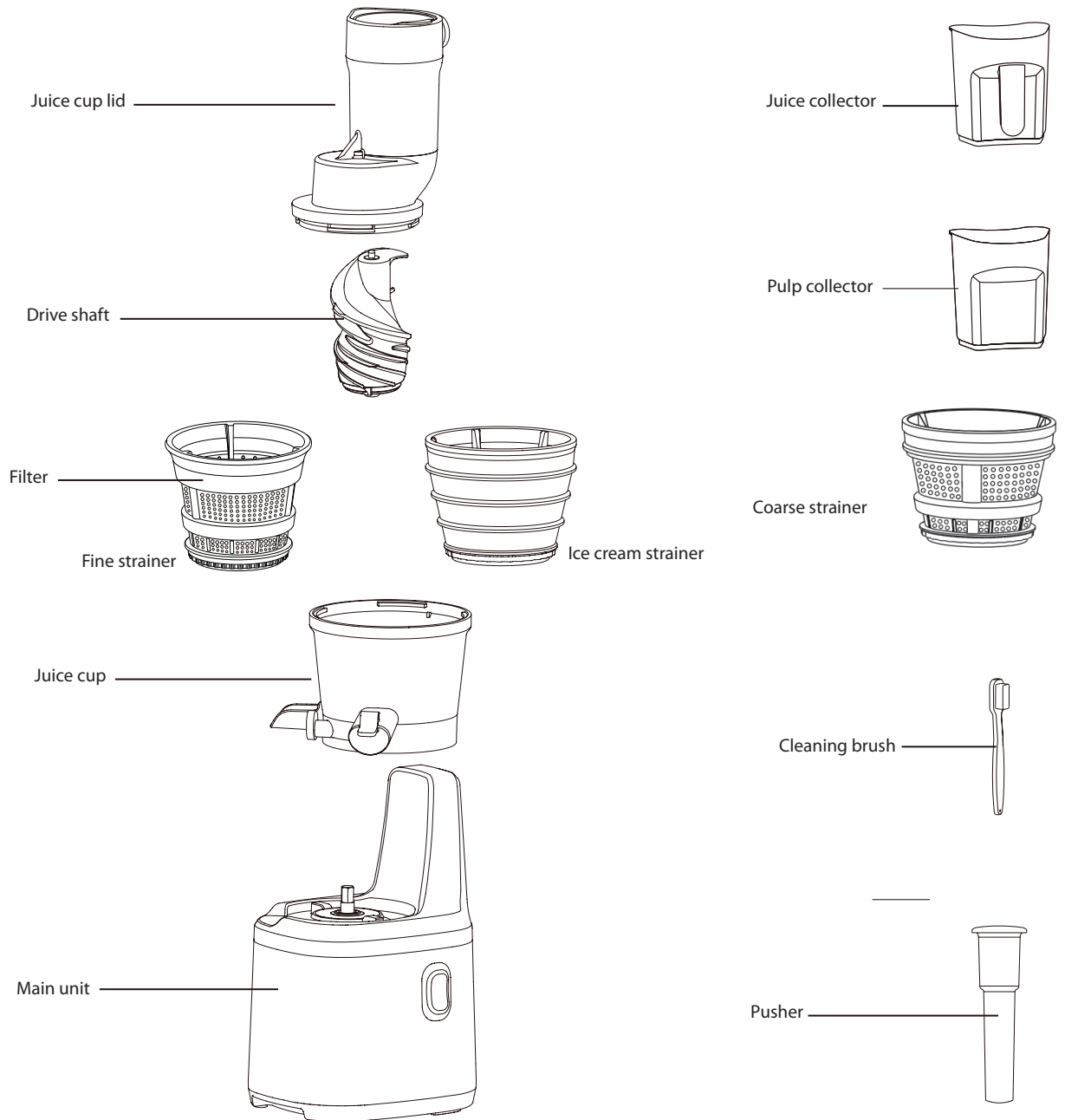
Read the instructions, keep them safe, pass them on if you pass the appliance on. Remove all packaging before use.

Follow basic safety precautions, including:

1. Don't put the main unit in liquid, don't use it in a bathroom, near water, or outdoors.
2. Unplug before fitting or removing an attachment.
3. Household use only.
4. Don't use the appliance unless the lid is in place.
5. Don't fill with anything hotter than you can comfortably handle (i.e. below 40°C).
6. Don't put spoons, spatulas, or any other object into the jug while the appliance is plugged in.
7. Don't leave the appliance unattended while plugged in.
8. Sit the main unit on a dry, firm, level surface.
9. Route the cable so it doesn't overhang, and can't be tripped over or caught.
10. Don't let the jug overflow. If liquid gets under the main unit, it may be sucked into the motor, damaging it.
11. Don't use the appliance for any purpose other than those described in these instructions.
12. Don't use the appliance if it's damaged or malfunctions.
13. Children should be supervised to ensure that they do not play with the appliance.
14. When the machine has overload protection, do not touch the machine, to stay in continue to use when machine is back to normal.
15. This appliance shall not be used by children.
Keep the appliance and its cord out of reach of children.
16. Appliances can be used by persons with reduced physical, sensory or mental capabilities or lack of experience and knowledge if they have been given supervision or instruction concerning use of the appliance in a safe way and if they understand the hazards involved.
17. Children shall not play with the appliance. Cleaning and user maintenance shall not be made by children without supervision.
18. Always disconnect the appliance from the supply if it is left unattended and before assembling, disassembling or cleaning.
19. Do not use the appliance if the rotating sieve is damaged.
20. If the supply cord is damaged, it must be replaced by the manufacturer, its service agent or similarly qualified persons in order to avoid a hazard.
21. Switch off the appliance and disconnect from supply before changing accessories or approaching parts that move in use.



2. PARTS NAME AND ACCESSORIES



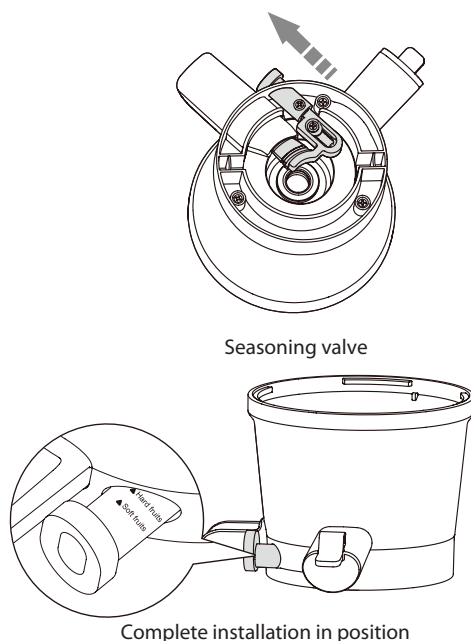
Note: The above picture is only for reference since the appearance of the product has lightly difference, please see the real product in the package.

3. CAUTIONS BEFORE USE

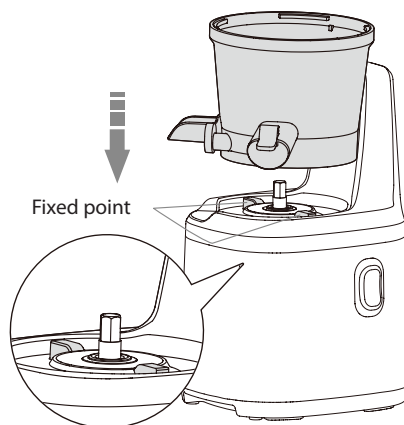
1. Please do not operate the product continuously. If it exceeds 20 minutes, please stop and cool for 20 minutes before continuing juicing to prevent damage to the product.
2. For ingredients with high fibre content (celery, etc.), please cut into pieces around 5 to 10 cm long and 1.5 to 2.5 cm width before putting into the machine. (For fibre rich ingredients, it is best to cut into pieces no more than 3 cm long, then slowly put into the machine.)
3. Extremely hard ingredients such as cereals, sugar cane and ginger are not suitable for juicing.
4. For hard seed ingredients such as cherries, grapefruit, etc., please make sure to deseed; For lemon, orange and other fruits, it is best to be peeled and deseeded, so as it will not affect the fruit juice taste.
5. When processing harder fruits and vegetables, the machine will experience „squeaky“ fricative sounds, and the product may experience slight shaking. This situation is normal and please uses it with confidence.
6. Please use fresh fruits and vegetables for juicing, for fruits and vegetables stored in the refrigerator, soak in water for more than 10 minutes before processing, the effect will be better.
7. When processing fruits and vegetables with deeper pigments, such as carrots, beetroots, etc., there will be mild staining of the juice cups and other parts, which is a normal situation.
8. Before starting the machine, please confirm that the juice cup lid is installed in place.
9. When putting in ingredients, it should be put in slowly one by one; the ingredients must be processed before putting in the next ingredients.

4. ASSEMBLY METHOD

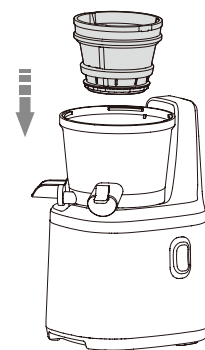
1. How to assemble the seasoning valve at the bottom of the juicing cup.
Push the seasoning valve at the bottom of the juicing cup into the „Hard fruits“ position in the direction shown.
Note: The seasoning valve must be installed in place; otherwise there will be leakage problems.



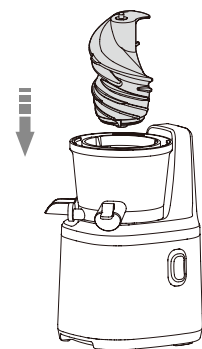
2. Install the juice cup onto the main unit.
Align the juicing cup to the fixed point on the main unit and push down, and rotate the juicing cup lightly until it is installed in place.



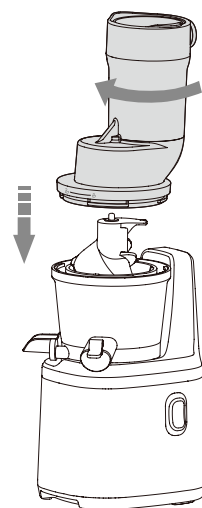
3. Install the filter into the juicing cup.



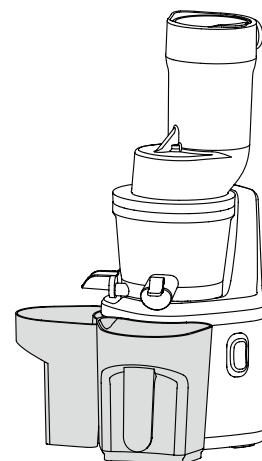
4. Install the drive shaft into the middle of the filter and press down until it stops.



5. Install the juice cup lid.
Align on the juice cup lid with "A" on the juicing cup, turn the juice cup lid clockwise so that the juice cup cover "fl" could align with "A" on the juicing cup.



6. As shown in the figure, place the juice collector and pulp collector.



5. FUNCTIONAL DESCRIPTION

On (I): For squeezing fresh juice and making ice cream.

Off (O): Stop the machine after the juicing process is completed.

Reverse (R): Lifts the fruits and vegetables upwards, solve the stuck issue when juicing; the stuck issue occurs during the process of juicing or making ice cream; the machine reverses to protect the machine from overloading of ingredients or hardened ingredients, and corrects the juice extraction process.

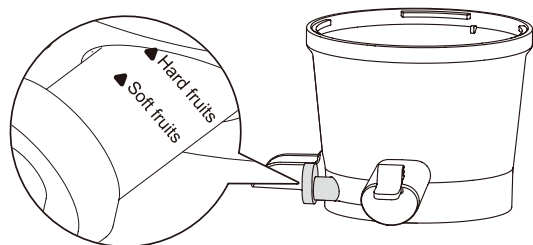
The respective fruits correspond to seasoning valve:

Soft fruits: soft fruit: orange, watermelon, red grape, pineapple, cucumber, tomato, ice cream

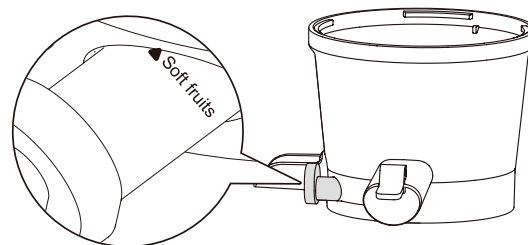
Hard fruits: hard fruit + fibre rich Ingredients: apple, pear, celery, carrot, pomegranate

Warning

1. Please do not press the button with wet hands. It is prohibited to idling products for a long period of time before putting in fruits and vegetables.
2. Please do not adjust the seasoning valve frequently during the juicing process.



Hard fruits



Soft fruits

6. USAGE

Hard fruits

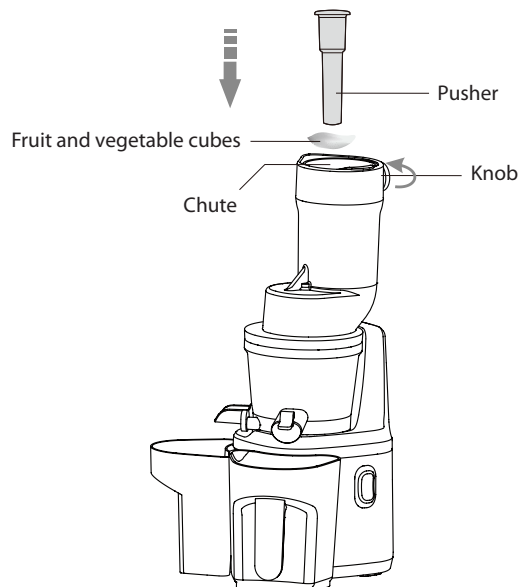
1. Put the washed large pieces of fruits and vegetables into the feeding chute, turn the knob to pour the fruits and vegetables into the feeding chute, and put the small pieces of fruit and vegetables from the small feeding chute. After putting the material, push the material with a pushing rod.

Note:

Please use fresh fruits and vegetables for juicing, for fruits and vegetables stored in the refrigerator, soak in water for more than 10 minutes before processing, the effect will be better.

Warning

- ① This product is not suitable for crushing cereals, sugarcane and other hard fruits.
- ② For fruits with hard cores, remove cores before juicing.
- ③ For celery and other coarse fiber fruit, washing after juicing 0.5Kg.



2. When the machine suddenly stops during operation, first press the button to the "Off (O)" position, then press to the "Reverse (R)" position, so that the ingredients held in the drive shaft would be pushed up, and then presses the button to the "On (I)" position. (Repeat three times or so).

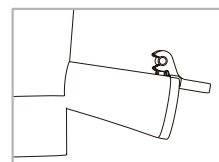
Warning

- ① When the machine is in the "Reverse (R)" mode, please hold the juice cup lid gently with your hand (to prevent the juice cup lid getting loose).
- ② After the above operation, if it still does not operate, please remove the juice cup and wash completely.

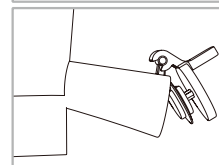
3. You may keep the juice outlet lid closed during juicing. When the juice output reaches a certain quantity, open the lid and receive the juice with the juice collector.

Benefits:

- ① Reduce the exposure to air and slow down the oxidization process.
- ② A variety of fruits and vegetables can be used to extract the mixed fruit juice.



Juice outlet is closed

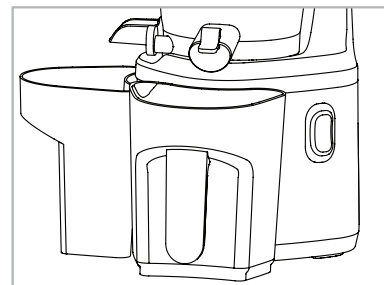


Juice outlet is open

4. After the juicing process, press the button to the „Off (O)“ position and unplug the power cord.

Recommendations:

Please do not store the squeezed juice for long time.



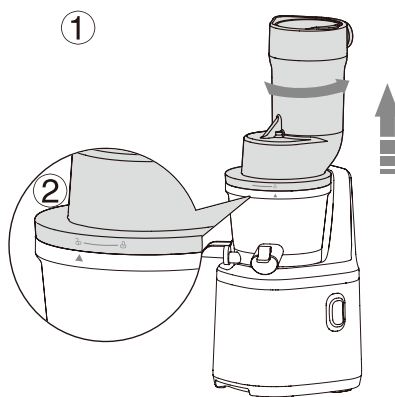
7. DISASSEMBLY METHOD

1. Press the button to stop the machine and unplug the power cord.

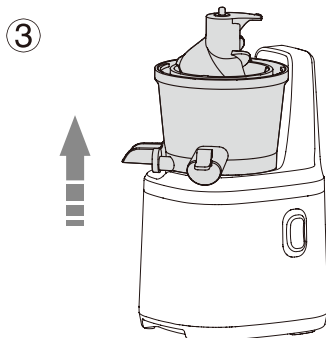
Recommendations:

After the juicing process, press the button to the „Reverse (R)“ position and hold for few seconds for easy disassembly and cleaning.

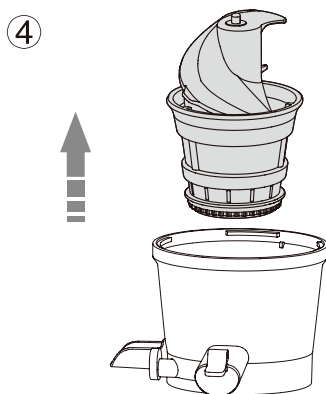
2. Grasp the juice cup lid by hand, and rotate the juice cup cover counter-clockwise as shown in Fig. ①, rotate to the position shown in Fig. ② and pull up the juice cup lid to disassemble.



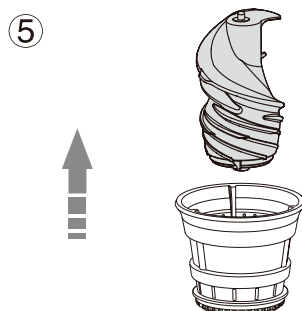
3. Grab the juice outlet on the juicing cup and lift it upwards to disassemble (see Figure ③).



4. Take out the drive shaft and filter assembly (as shown in Fig. ④).



5. Disassemble the drive shaft and filter separately (as shown in Fig. ⑤).



8. ICE CREAM MAKING METHOD

Please put fruits such as bananas (peeled), durian (deseeded), and strawberries (capped) in the freezer for more than 8 hours. Place the special ice cream filter into the juicer. Thaw the frozen fruits for 15 minutes before making, start the machine, and slowly put the fruits into the juicer to make authentic fruit-flavoured ice cream.

Operating steps

1. Put the juice cup on the slag outlet and pick up the ice cream;
2. Push the seasoning valve to „Soft fruits“;
3. Press the button to “Forward”;
4. Ice cream will be discharged from the slag outlet.

Tips

When making fruit ice cream, you may add frozen milk according to personal taste (the frozen ingredient needs to be thawed at room temperature until the surface slightly softens (more than 20 minutes of thawing in winter and more than 15 minutes in summer), and slowly mix it into the juice machine to make a delicious ice cream.

Winter: Thawing time is more than 20 minutes; Summer: Thawing time is more than 15 minutes.

Put the frozen ingredients slowly into the feeding chute, the feeding interval has to be more than 5 seconds.

Mango and Banana Ice cream

- ① Cut the mango meat and banana into small cubes, and freeze for 8-12 hours in freezer.
- ② Remove from freezer and thaw the frozen fruits for few minutes under room temperature to relieve the hardness;
- ③ Place the special ice cream filter into the juicer, start the machine, put the frozen mango and banana pieces in the feeding chute.
- ④ The ice cream could be consumed directly.

Reminder: the banana ice cream should be consumed as soon as possible.

Dragon fruit ice cream (May add in yoghurt or milk according to personal taste)

- ① Peel the dragon fruit, cut into small cubes, and freeze for 8-12 hours in freezer.
- ② Remove from freezer and thaw the frozen fruits for few minutes under room temperature to relieve the hardness;
- ③ Place the special ice cream filter into the juicer, start the machine, put the frozen dragon fruit pieces in the feeding chute.
- ④ Use a push rod to gently press the fruit cubes, place the ice cream container under the slag outlet, the dragon fruit ice cream is ready;
- ⑤ Remove the filling from the biscuits, place it in a zip lock bag and close it tightly, break the biscuits and serve with the ice cream.

Reminder: the dragon fruit ice cream should be consumed as soon as possible.

Peach ice cream

- ① Wash and peel the peach, take the peach meat cut into small cubes, and freeze for 8-12 hours in freezer.
- ② Put fresh milk into refrigerator;
- ③ Remove the prepared peach from freezer and thaw for few minutes under room temperature to relieve the hardness;
- ④ Put the frozen peach cubes in the feeding chute, add fresh milk according to personal taste;
- ⑤ Use a push rod to gently press the fruit cubes, place the ice cream container under the slag outlet, the peach ice cream is ready;
- ⑥ Add in the favourite jam to make peach fresh milk ice cream.

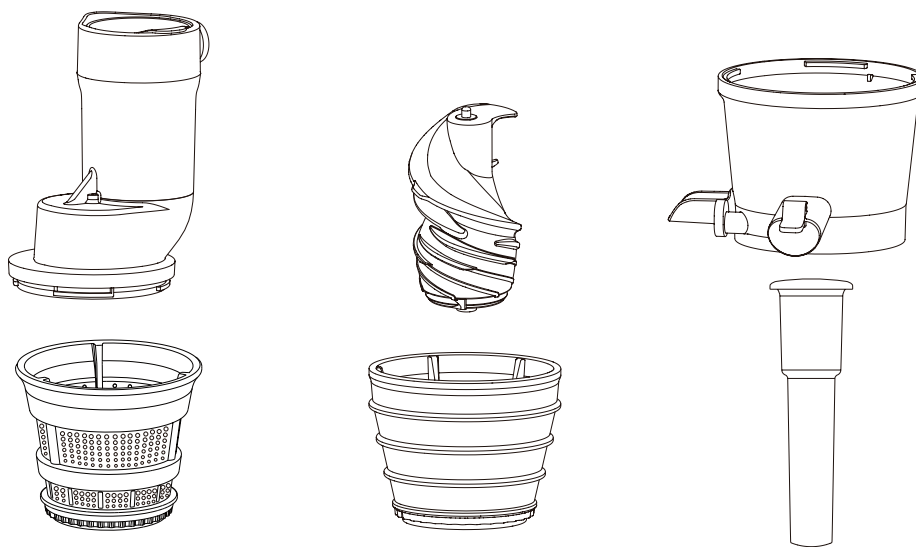
Reminder: the peach ice cream should be consumed as soon as possible.

9. CARE AND CLEANING

Cleaning

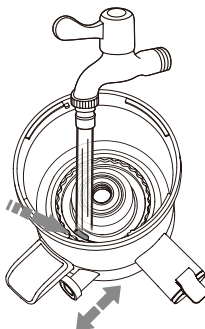
1. Wash each disassembled part with running water. If residues plug the filter mesh, please wash the filter with a cleaning brush.

Note: please do not wash by using iron brush and sharp washing tool.

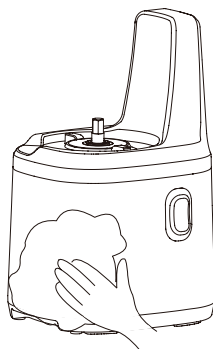


Special reminder:

When washing, push the seasoning valve back and forth for easier cleaning.



2. Do not immerse the main unit into water, only use dampened soft cloth to wipe clean.



3. After cleaning, dry the washed parts and store them in a clean and well-ventilated place.

Note:

- ① As the dried slag may affect the disassembly and cleaning, and it may also cause deterioration of performance. Therefore, it should be washed in time after each use.
- ② The rubber gasket below the juice cup is removable and washable.
- ③ No part of the juice extractor is meant to be washed in a dishwasher.

Maintenance

1. This product shall be used frequently to keep the motor dry.
2. For prolonged storage, keep it in a dry and ventilated place to prevent the motor from moisture and affecting normal usage.

10. PRODUCT TECHNICAL PARAMETERS

Product name	Slow Juicer
Model	PHJE 5030
Voltage	220 - 240 V
Frequency	50/60HZ
Power	200 W
Capacity	1,0 L

INSTRUCTIONS AND INFORMATION REGARDING THE DISPOSAL OF USED PACKAGING MATERIALS

Dispose of packaging material at a public waste disposal site.

DISPOSAL OF USED ELECTRICAL AND ELECTRONIC APPLIANCES



The meaning of the symbol on the product, its accessory or packaging indicates that this product shall not be treated as household waste. Please, dispose of this product at your applicable collection point for the recycling of electrical & electronic equipment waste. Alternatively in some states of the European Union or other European states you may return your products to your local retailer when buying an equivalent new product. The correct disposal of this product will help save valuable natural resources and help in preventing the potential negative impact on the environment and human health, which could be caused as a result of improper liquidation of waste. Please ask your local authorities or the nearest waste collection centre for further details. The improper disposal of this type of waste may fall subject to national regulations for fines.

For business entities in the European Union

If you wish to dispose of an electrical or electronic device, request the necessary information from your seller or supplier.

Disposal in other countries outside the European Union

If you wish to dispose of this product, request the necessary information about the correct disposal method from local government departments or from your seller.



This product meets all the basic EU regulation requirements that relate to it.

Changes to the text, design and technical specifications may occur without prior notice and we reserve the right to make these changes.

OBSAH

1. DŮLEŽITÉ BEZPEČNOSTNÍ	3
2. NÁZVY JEDNOTLIVÝCH ČÁSTÍ A PŘÍSLUŠENSTVÍ	4
3. UPOZORNĚNÍ PŘED POUŽÍVÁNÍM	5
4. ZPŮSOB MONTÁŽE SPOTŘEBIČE	5
5. FUNKČNÍ POPIS	7
6. POUŽITÍ	7
7. ZPŮSOB DEMONTÁŽE SPOTŘEBIČE	8
8. ZPŮSOB PŘÍPRAVY ZMRZLINY	9
PROVOZNÍ KROKY	9
MANGOVÁ A BANÁNOVÁ ZMRZLINA	9
ZMRZLINA Z EXOTICKÉHO OVOCE (PODLE VLASTNÍ CHUTI MŮŽETE PŘIDAT JOGURT NEBO MLÉKO)	9
BROSKVOVÁ ZMRZLINA	10
9. PÉČE A ČIŠTĚNÍ.....	10
ČIŠTĚNÍ	10
ÚDRŽBA.....	11
10. TECHNICKÉ PARAMETRY VÝROBKU	11

Vážený zákazníku,

děkujeme, že jste si zakoupil výrobek značky PHILCO. Aby mohl váš spotřebič sloužit dobře, přečtěte si všechny pokyny uvedené v tomto návodu k obsluze.

1. DŮLEŽITÉ BEZPEČNOSTNÍ

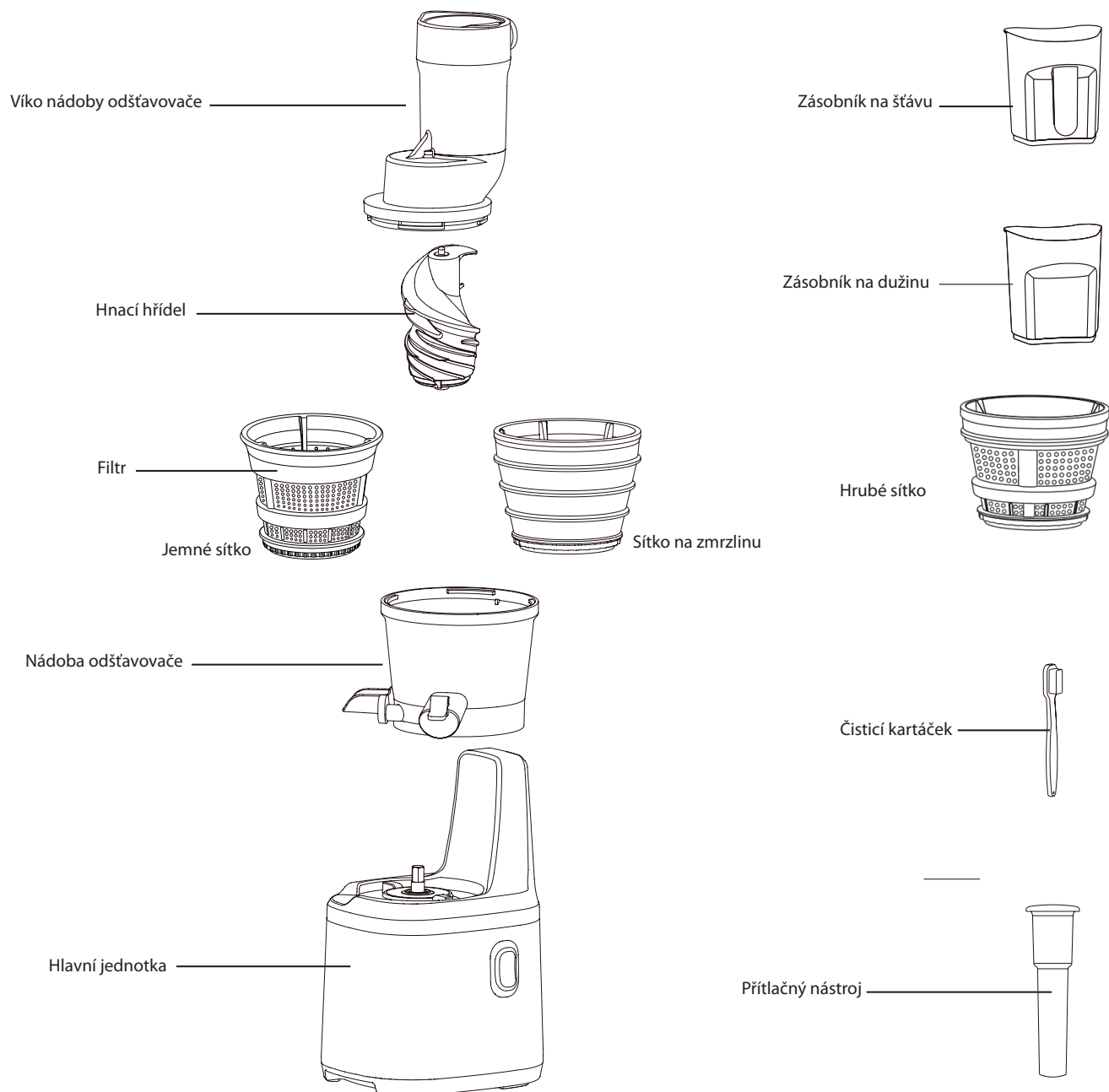
Přečtěte si pokyny, uschovejte je v bezpečí, předejte je dál, když spotřebič předáváte. Před použitím odstraňte všechny obaly.

Dodržujte základní bezpečnostní opatření, včetně:

1. Nedávejte hlavní jednotku do tekutiny, nepoužívejte ji v koupelně, blízko vody nebo venku.
2. Před namontováním nebo odpojením příslušenství odpojte spotřebič ze sítě.
3. Pouze na použití v domácnosti.
4. Nepoužívejte spotřebič, dokud není víko na svém místě.
5. Neplňte spotřebič ničím teplejším, než dokážete pohodlně udržet v rukou (např. pod 40 °C).
6. Když je spotřebič připojen k elektrické síti, do nádoby nedávejte lžíce, špachtle nebo jiný předmět.
7. Když je spotřebič připojen k elektrické síti, nenechávejte ho bez dozoru.
8. Hlavní jednotku umístěte na suchý, pevný a rovný povrch.
9. Kabel ved'te tak, aby netrčel a nemohlo se o něj zakopnout nebo zachytit.
10. Nenechte nádobu přetéct. Pokud se kapalina dostane pod hlavní jednotku, může se nasát do motoru a poškodit ho.
11. Nepoužívejte spotřebič na žádný jiný účel než na ten, který je uveden v tomto návodu.
12. Nepoužívejte spotřebič, pokud je poškozený nebo nefunguje správně.
13. Děti by měly být pod dozorem, aby se zajistilo, že si se spotřebičem nehrají.
14. Pokud má spotřebič ochranu proti přetížení, nedotýkejte se ho, abyste ho nadále používali, když se vrátí do normálu.
15. Tento spotřebič nesmějí používat děti.
Uchovávejte spotřebič a jeho kabel mimo dosah dětí.
16. Spotřebič mohou používat osoby se sníženými fyzickými, smyslovými nebo mentálními schopnostmi nebo nedostatkem zkušeností a znalostí, pokud jim byl poskytnut dohled nebo poučení o používání spotřebiče bezpečným způsobem a pokud pochopily příslušná rizika.
17. Děti si se spotřebičem nesmějí hrát. Čištění a uživatelskou údržbu nesmí dělat děti bez dozoru.
18. Pokud je spotřebič ponechán bez dozoru a před jeho montáží, demontáží nebo čištěním, vždy odpojte od zdroje napájení.
19. Nepoužívejte spotřebič, jestliže je rotační sítko poškozeno.
20. Pokud je napájecí kabel poškozen, musí ho vyměnit výrobce, jeho servisní zástupce nebo podobně kvalifikovaná osoba, aby se předešlo nebezpečí.
21. Před výměnou příslušenství nebo přiblížením se k pohyblivým částem spotřebiče při jeho používání, spotřebič vypněte a odpojte od napájení.



2. NÁZVY JEDNOTLIVÝCH ČÁSTÍ A PŘÍSLUŠENSTVÍ



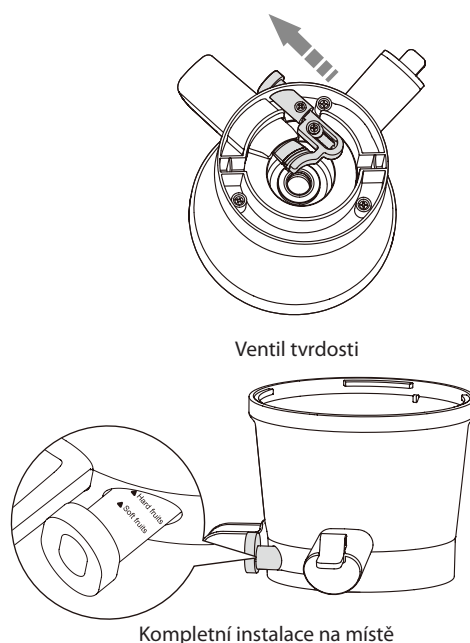
Poznámka: Výše uvedený obrázek slouží pouze pro informaci, protože vzhled produktu se mírně liší, viz prosím skutečný produkt v balení.

3. UPOZORNĚNÍ PŘED POUŽÍVÁNÍM

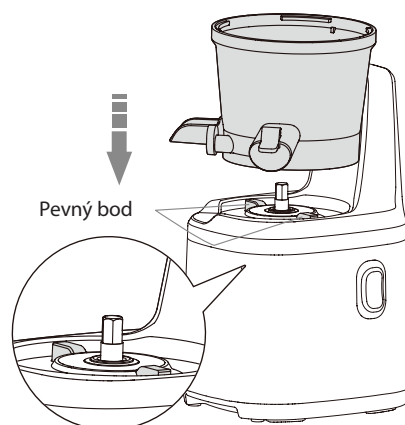
1. Nepoužívejte spotřebič nepřetržitě. Pokud jeho používání přesáhne 20 minut, před dalším odšťavením ho zastavte a ochladte na 20 minut, abyste zabránili poškození spotřebiče.
2. V případě přísad s vysokým obsahem vlákniny (celer atd.), je před vložením do spotřebiče nakrájejte na kousky o délce přibližně 5 až 10 cm a šířkou 1,5 až 2,5 cm. (V případě přísad bohatých na vlákninu je nejlepší je nakrájet na kousky, které nejsou delší než 3 cm a poté je pomalu vkládat do spotřebiče.)
3. Na odšťavení nejsou vhodné mimořádně tvrdé přísady, jako jsou obiloviny, cukrová třtina a zázvor.
4. V případě přísad s tvrdými jádérky a peckami jako jsou třešně, grapefruit atd., je nejdříve zbavte jáderek a pecek; V případě citronu, pomeranče a jiného ovoce je nejlepší ovoce oloupat a zbavit jáderek, aby neohrozilo chuť ovocné šťávy.
5. Při zpracování tvrdšího ovoce a zeleniny se při používání spotřebiče vyskytnou „skřípavé“ zvuky a spotřebič se může mírně třást. Tato situace je normální a můžete nadále používat spotřebič s důvěrou.
6. Na odšťavení používejte čerstvé ovoce a zeleninu. V případě ovoce a zeleniny uložené v ledničce, ji na dosažení lepšího účinku před zpracováním namočte na více než 10 minut do vody.
7. Při zpracování ovoce a zeleniny s výraznějšími barvami, jako jsou například mrkev, červená řepa atd., může dojít k mírnému zabarvení nádoby odšťavňovače a jiných částí, což je naprosto normální.
8. Před spuštěním spotřebiče zkontrolujte, zda je víko nádoby odšťavovače nainstalováno na svém místě.
9. Při vkládání přísad byste je měli vkládat pomalu postupně po jedné; tyto přísady musí být důkladně zpracovány před vložením dalších přísad.

4. ZPŮSOB MONTÁŽE SPOTŘEBIČE

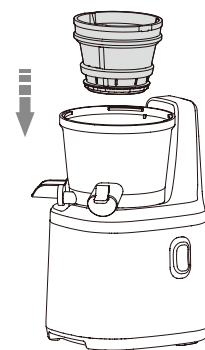
1. Způsob montáže ventilu tvrdosti na spodní části nádoby odšťavovače.
Zatlačte ventil tvrdosti na spodku nádoby odšťavovače do polohy „Tvrdé ovoce“ v uvedeném směru.
Poznámka: Ventil tvrdosti musí být namontován na svém místě; jinak dojde k problémům s únikem.



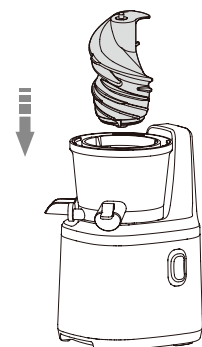
2. Nainstalujte nádobu odšťavovače na hlavní jednotku.
Srovnajte nádobu odšťavovače s pevným bodem na hlavní jednotce a zatlačte ji dolů a jemně ji otočte, dokud není nainstalována na svém místě.



3. Nainstalujte filtr do nádoby odšťavovače.

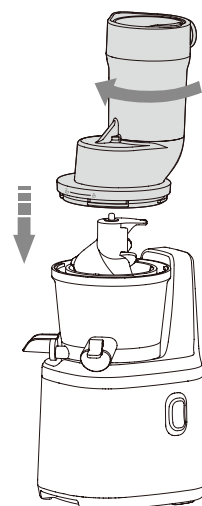


4. Namontujte hnací hřídel do středu filtru a zatlačte ji, dokud se nezastaví.

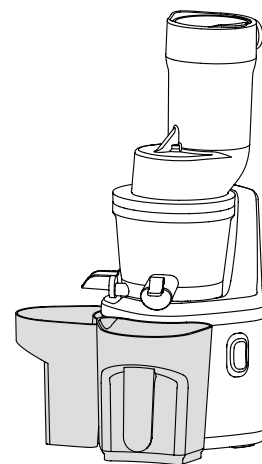


5. Nainstalujte víko nádoby odšťavovače.

Srovnejte víko nádoby odšťavovače s písmenem „A“ na nádobě odšťavovače, otočte víko nádoby odšťavovače ve směru hodinových ručiček tak, aby víko nádoby odšťavovače „fl“ mohlo být zarovnáno s písmenem „A“ na nádobě odšťavovače.



6. Jak je to znázorněno na obrázku, umístěte zásobník na šťávu a zásobník na dužinu.



5. FUNKČNÍ POPIS

Tlačítko Zapnuto (I): Na vylisování čerstvé šťávy a výrobu zmrzliny.

Tlačítko Vypnuto (O): Slouží k zastavení spotřebiče po procesu odšťavení.

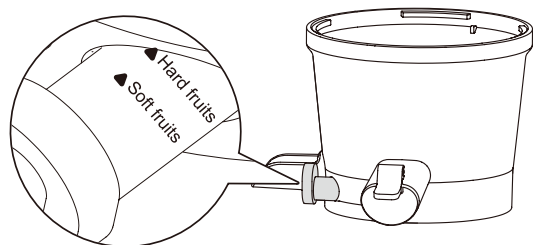
Tlačítko Zpětný chod (R): Zvedání ovoce a zeleniny směrem nahoru, řešení problému s uváznutím při odšťavení; problém s uváznutím se vyskytuje v průběhu procesu odšťavení nebo výroby zmrzliny; spotřebič změnil směr pohybu, aby se zabránilo přetížení přísadami nebo tvrdými přísadami a opraví proces extrakce šťávy. Příslušné plody odpovídají ventilu tvrdosti:

Soft fruits (měkké ovoce): pomeranče, meloun, červené hrozny, ananas, okurka, rajče, zmrzlina

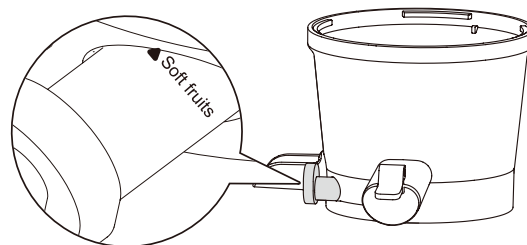
Hard fruits (tvrdé ovoce) + ovoce bohaté na vlákninu. Složení: jablko, hruška, celer, mrkev, granátové jablko

Varování

1. Nemačkejte tlačítko mokřkýma rukama. Před vložením ovoce a zeleniny je zakázáno nechat spotřebič volně běžet delší dobu.
2. V průběhu procesu odšťavení neupravujte měnící ventil často.



Tvrdé ovoce



Měkké ovoce

6. POUŽITÍ

Tvrdé ovoce

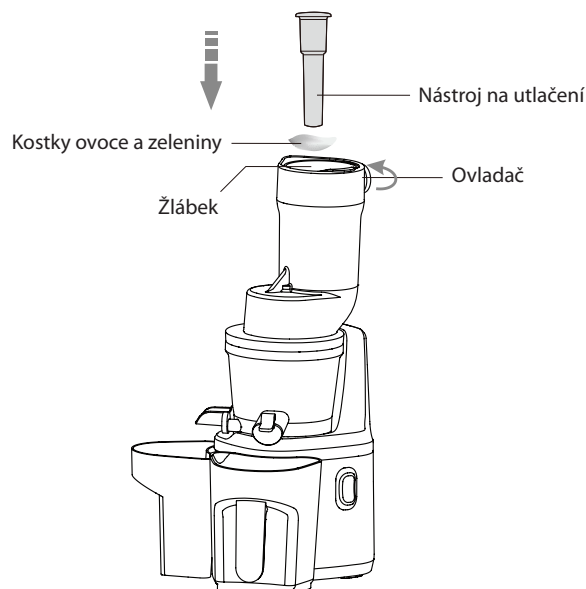
1. Umyté velké kousky ovoce a zeleniny vložte do otvoru na plnění, otočením ovladače posunujte ovoce a zeleninu do plnicího otvoru a malé kousky ovoce a zeleniny vložte do malého plnicího otvoru. Po vložení ovoce a zeleniny je zatlačte nástrojem utlačování.

Poznámka:

Na odšťavení použijte čerstvé ovoce a zeleninu. V případě ovoce a zeleniny uložené v ledničce, ji na dosažení lepšího účinku před zpracováním namočte na více než 10 minut do vody.

Varování

- ① Tento spotřebič není vhodný pro drcení obilnin, cukrové třtiny a jiných tvrdých plodů.
- ② U ovoce s tvrdými jádérky a peckami, před odšťavením nejprve odstraňte jádérka.
- ③ V případě celeru a jiného hrubého vláknitého ovoce, po odšťavení 0,5 kg důkladně spotřebič omyjte.



2. Když se spotřebič během provozu náhle zastaví, nejprve přepněte tlačítko do polohy „Vypnuto (O)“, potom do polohy „Zpětný chod (R)“, aby se ingredience zachycené v hnací hřídeli vytlačily nahoru a stiskněte tlačítko do polohy „Zapnuto (I)“. (Zopakujte to asi třikrát).

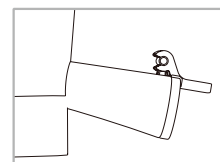
Varování:

- ① Když je spotřebič v režimu „Zpětný chod (R)“, držte víko nádoby odšťavovače jemně rukou (abyste zabránili uvolnění víka nádoby odšťavovače).
- ② Pokud ani po provedení výše uvedeného opatření spotřebič stále nefunguje, sundejte nádobu odšťavovače a důkladně omyjte.

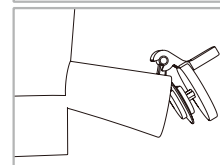
3. V průběhu odšťavení můžete nechat víko výtoku šťávy zavřené. Když výstup šťávy dosáhne určité množství, otevřete víko a dejte šťávu do zásobníku na šťávu.

Výhody:

- ① Snížení vystavení působení vzduchu a zpomalení oxidačního procesu.
- ② Na extrakci smíchané ovocné šťávy lze použít různé druhy ovoce a zeleniny.



Výtok šťávy je zavřený

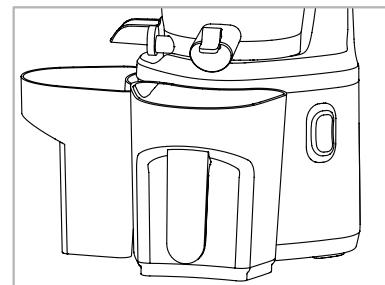


Výtok šťávy je otevřený

4. Po ukončení procesu odšťavení přepněte tlačítko do polohy „Vypnuto (O)“ a odpojte napájecí kabel.

Doporučení:

Vylisovanou šťávu neskladujte velmi dlouho.



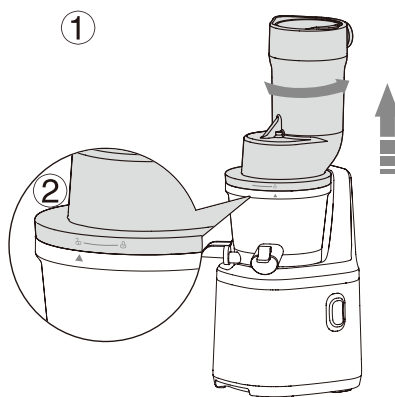
7. ZPŮSOB DEMONTÁŽE SPOTŘEBIČE

1. Stisknutím tlačítka zastavte spotřebič a odpojte napájecí kabel.

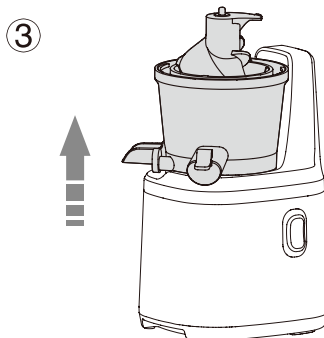
Doporučení:

Po ukončení procesu odšťavení přepněte tlačítko do polohy „Zpětný chod (R)“ a na několik sekund ho držte, abyste jej mohli snadno rozebrat a vyčistit.

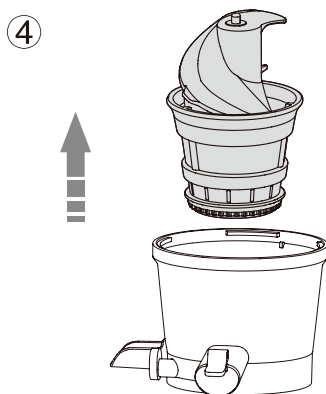
2. Rukou uchopte kryt nádoby odšťavňovače a otočte ho proti směru hodinových ručiček, jak je to znázorněno na obr. ①, otočte ho do polohy znázorněné na ② a rozeberte jej vytažením směrem nahoru.



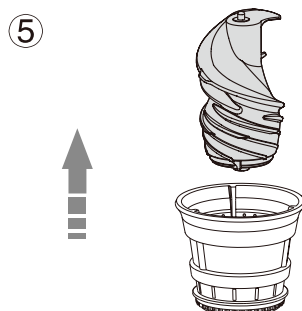
3. Uchopte výtok šťávy z nádoby odšťavovače a zvedněte ho, abyste ho tak demontovali (jak je znázorněno na obr. ③).



4. Vyjměte hnací hřídel a sestavu filtru (jak je znázorněno na obr. ④).



5. Demontujte hnací hřídel a filtr zvlášť (jak je znázorněno na obr. ⑤).



8. ZPŮSOB PŘÍPRAVY ZMRZLINY

Do mrazničky vložte ovoce, jako jsou banány (oloupané), durian (bez semínek) a jahody (očistěné) na více než 8 hodin. Do odšťavňovače vložte speciální filtr na zmrzlinu. Před přípravou nechte zmrazené ovoce 15 minut rozmrazit, nastartujte spotřebič a pomalu vložte ovoce do odšťavňovače, aby se vytvořila autentická zmrzlina s příchutí ovoce.

Provozní kroky

1. Vložte nádobu na šťávu do výstupu dužiny na zachytávání zmrzliny;
2. Zatlačte ventil tvrdosti do polohy „Soft fruits (měkké ovoce)“;
3. Zatlačte tlačítko do polohy „Forward (dopředu)“;
4. Zmrzlina bude vycházet z výstupu dužiny.

Tipy

Při přípravě ovocné zmrzliny, můžete přidávat mrazené mléko dle vlastní chuti (mrazenou složku je třeba rozmrazit při pokojové teplotě, dokud povrch mírně nezměkne (více než 20 minut roztání v zimním období a více než 15 minut v létě) a pomalu ho promíchejte do spotřebiče, abyste připravili chutnou zmrzlinu. Zimní období: Čas rozmrazování je více než 20 minut; Léto: Čas rozmrazování je více než 15 minut. Zmrazené přísady pomalu vkládejte do plnicího otvoru, interval plnění musí být více než 5 sekund.

Mangová a banánová zmrzlina

- ① Nakrájejte mango a banán na malé kostičky a nechte je zamrazit na 8–12 hodin v mrazničce.
- ② Vyndejte ovoce z mrazničky a nechte ho rozmrazit několik minut při pokojové teplotě, aby se snížila jeho tvrdost;
- ③ Vložte speciální filtr na zmrzlinu do odšťavovače, nastartujte spotřebič a vkládejte zmrazené kousky manga a banánů do plnicího otvoru.
- ④ Zmrzlinu bude možné konzumovat přímo.

Připomínka: Banánová zmrzlina by se měla zkonsumovat co nejdříve.

Zmrzlina z exotického ovoce (podle vlastní chuti můžete přidat jogurt nebo mléko)

- ① Oloupejte exotické ovoce (např. dračí ovoce), nakrájejte ho na malé kostičky a nechte zmrazit 8–12 hodin v mrazničce.
- ② Vyndejte ovoce z mrazničky a nechte ho rozmrazit několik minut při pokojové teplotě, aby se snížila jeho tvrdost;
- ③ Vložte speciální filtr na zmrzlinu do odšťavovače, nastartujte spotřebič a vkládejte zmrazené kousky exotického ovoce do plnicího otvoru.
- ④ Jemně zatlačte kostky ovoce pomocí funkce na upěchování, umístěte nádobu na zmrzlinu pod výstup dužiny a zmrzlina z exotického ovoce je připravena;
- ⑤ Vyberte sušenky podle vlastní chuti, vložte je do uzavíratelného sáčku a pevně ho utěsněte, sušenky rozlámejte a podávejte se zmrzlinou.

Připomínka: Zmrzlina z exotického ovoce by se měla zkonsumovat co nejdříve.

Broskvová zmrzlina

- ① Umyjte a oloupejte broskev, vezměte broskve nakrájené na malé kostičky a zmrazte je 8–12 hodin v mrazničce.
- ② Dejte čerstvé mléko do chladničky;
- ③ Připravené broskve vyjměte z mrazničky a nechte je několik minut roztát při pokojové teplotě, aby se snížila jejich tvrdost;
- ④ Vložte mražené broskvové kostky do plnicího otvoru a podle potřeby přidejte čerstvé mléko;
- ⑤ Jemně zatlačte ovocné kostky pomocí funkce upěchování, umístěte nádobu na zmrzlinu pod výstup na dužinu a broskvová zmrzlina je připravena;
- ⑥ Přidáním oblíbeného džemu vytvoříte čerstvou broskvovou mléčnou zmrzlinu.

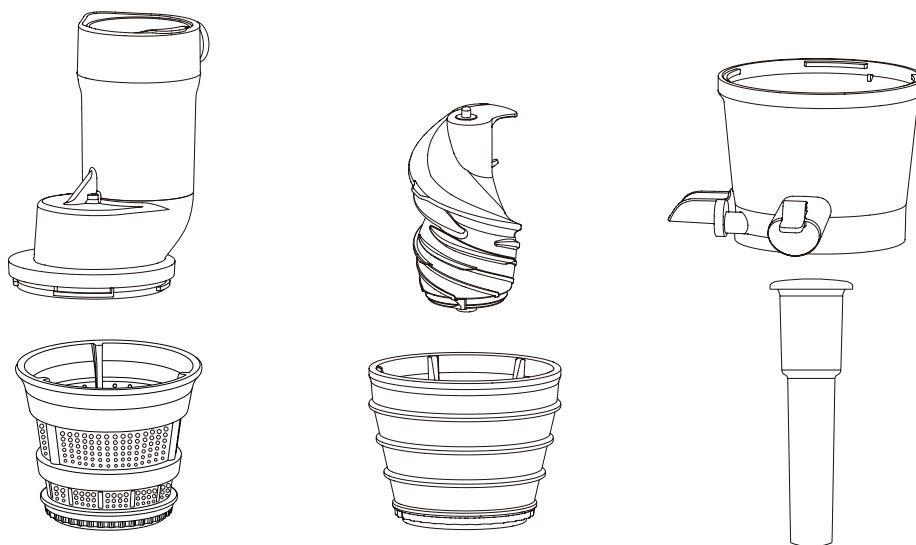
Připomínka: Broskvová zmrzlina by se měla zkonzumovat co nejdříve.

9. PÉČE A ČIŠTĚNÍ

Čištění

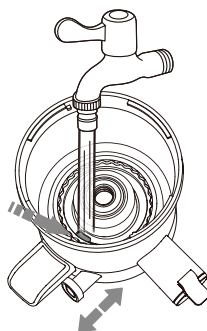
1. Každou demontované část omyjte tekoucí vodou. Pokud zbytky ucoupou filtrační sítku, omyjte filtr pomocí čistícího kartáčku.

Poznámka: Nemyjte ji pomocí drátěné kartáčku ani ostrého nástroje mytí.

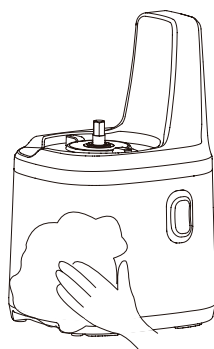


Zvláštní připomínka:

Při mytí zatlačte ventil tvrdosti tam a zpět, aby se usnadnilo čištění.



2. Hlavní jednotku neponořujte do vody, na její čištění použijte pouze navlhčenou měkkou tkaninu.



3. Po vyčištění opláchněte umyté části a uložte je na čisté a dobře větrané místo.

Poznámka:

- ① Protože vysušená dužina může ovlivnit demontáž a čištění a může také zhoršit výkon. Proto by se mělo umýt včas po každém použití.
- ② Gumové těsnění pod nádobou odšťavňovače je odnímatelné a omyvatelné.
- ③ Žádná část odšťavňovače není určena k mytí v myčce.

Údržba

1. Tento produkt se musí často používat k udržení motoru v suchu.
2. Při dlouhodobém uskladnění ho uložte na suchém a větraném místě, abyste zabránili navlhnutí motoru a ovlivnění jeho normálního používání.

10. TECHNICKÉ PARAMETRY VÝROBKU

Název výrobku	Šnekový odšťavňovač
Model	PHJE 5030
Napětí	220 - 240 V
Frekvence	50/60 Hz
Výkon	200 W
Objem	1,0 l

POKYNY A INFORMACE TÝKAJÍCÍ SE LIKVIDACE POUŽITÝCH OBALOVÝCH MATERIÁLŮ

Obalové materiály zlikvidujte na veřejném místě pro likvidaci odpadu.

LIKVIDACE POUŽITÝCH ELEKTRICKÝCH A ELEKTRONICKÝCH SPOTŘEBIČŮ



Význam symbolu na výrobku, jeho příslušenství nebo obalu znamená, že s tímto výrobkem nesmí být zacházeno jako s domovním odpadem. Tento výrobek zlikvidujte na příslušném sběrném místě pro recyklaci odpadu z elektrických a elektronických zařízení. Popřípadě je možné v některých státech Evropské unie nebo jiných evropských státech vrátit své výrobky místnímu prodejci, v případě koupě obdobného nového výrobku. Správná likvidace tohoto výrobku pomůže ušetřit cenné přírodní zdroje a pomoci při prevenci případného negativního vlivu na životní prostředí a lidské zdraví, ke kterému by mohlo dojít v důsledku nesprávné likvidace odpadu. Podrobnější informace získáte od místního úřadu nebo v nejbližším středisku pro sběr odpadu. Nesprávná likvidace tohoto typu odpadu může podléhat vnitrostátním předpisům o pokutách.

Pro podnikatelské subjekty v Evropské unii

Chcete-li zlikvidovat elektrické nebo elektronické zařízení, vyžádejte si potřebné informace od svého prodejce nebo dodavatele.

Likvidace v jiných zemích mimo Evropskou unii

Chcete-li zlikvidovat tento výrobek, vyžádejte si potřebné informace o správném způsobu likvidace od místních úřadů nebo svého prodejce.



Tento výrobek splňuje všechny základní požadavky nařízení EU, které se na něj vztahují.

Změny v textu, designu a technických údajích se mohou vyskytnout bez předchozího upozornění a vyhrazujeme si právo provést tyto změny.

OBSAH

1. DÔLEŽITÉ BEZPEČNOSTNÉ POKYNY	3
2. NÁZVY JEDNOTLIVÝCH ČASTÍ A PRÍSLUŠENSTVA.....	4
3. UPOZORNENIA PRED POUŽÍVANÍM	5
4. SPÔSOB MONTÁŽE SPOTREBIČA	5
5. FUNKČNÝ POPIS	7
6. POUŽITIE	7
7. SPÔSOB DEMONTÁŽE SPOTREBIČA	8
8. SPÔSOB PRÍPRAVY ZMRZLINY	9
PREVÁDZKOVÉ KROKY	9
MANGOVÁ A BANÁNOVÁ ZMRZLINA	9
ZMRZLINA Z EXOTICKÉHO OVOCIA (PODĽA VLASTNEJ CHUTE MÔŽETE PRIDAŤ JOGURT ALEBO MLIEKO).....	9
BROSKYŇOVÁ ZMRZLINA	10
9. STAROSTLIVOSŤ A ČISTENIE	10
ČISTENIE.....	10
ÚDRŽBA.....	11
10. TECHNICKÉ PARAMETRE VÝROBKU	11

Vážení zákazník,

Ďakujeme, že ste si kúpili výrobok značky PHILCO. Aby mohol váš spotrebič slúžiť dobre, prečítajte si všetky pokyny uvedené v tomto návode na obsluhu.

1. DÔLEŽITÉ BEZPEČNOSTNÉ POKYNY

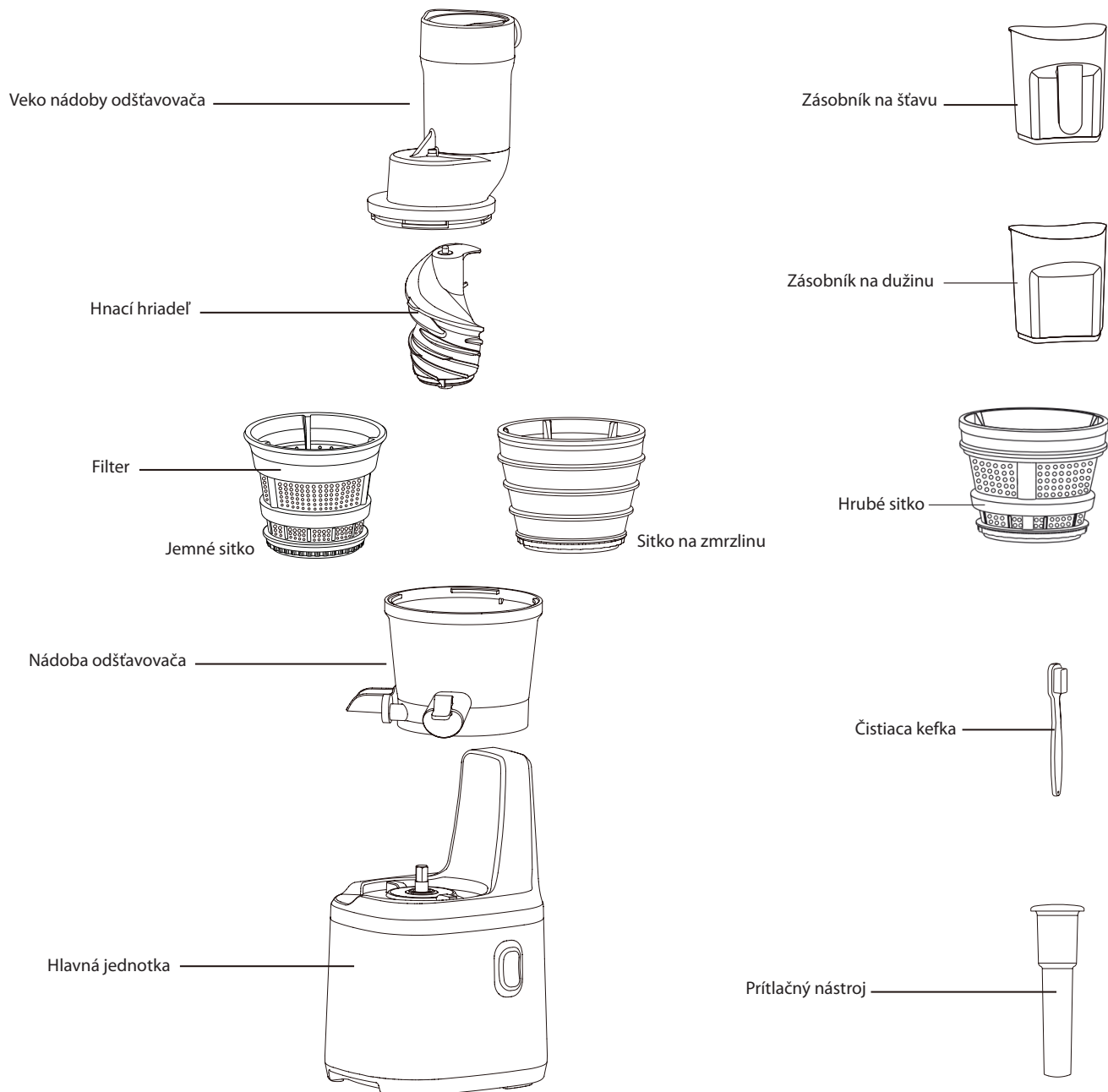
Prečítajte si pokyny, uschovajte ich v bezpečí, odovzdajte ich ďalej, ak spotrebič odovzdávate. Pred použitím odstráňte všetky obaly.

Dodržiavajte základné bezpečnostné opatrenia, vrátane:

1. Nedávajte hlavnú jednotku do tekutiny, nepoužívajte ju v kúpeľni, blízko vody alebo vonku.
2. Pred namontovaním alebo odpojením príslušenstva odpojte spotrebič zo siete.
3. Len na použitie v domácnosti.
4. Nepoužívajte spotrebič dovtedy, pokiaľ nie je veko na svojom mieste.
5. Neplňte spotrebič ničím teplejším, ako dokážete pohodlne udržať v rukách (napr. pod 40 °C).
6. Keď je spotrebič pripojený k elektrickej sieti, do nádoby nedávajte lyžice, špachtle alebo iný predmet.
7. Keď je spotrebič pripojený k elektrickej sieti, nenechávajte ho bez dozoru.
8. Hlavnú jednotku umiestnite na suchý, pevný a rovný povrch.
9. Kábel vedte tak, aby nepretŕčal a nemohlo sa oň zakopnúť alebo zachytiť.
10. Nenechajte nádobu pretiecť. Ak sa kvapalina dostane pod hlavnú jednotku, môže sa nasať do motora a poškodiť ju.
11. Nepoužívajte spotrebič na žiadny iný účel, ako na ten, ktorý je uvedený v tomto návode.
12. Nepoužívajte spotrebič, ak je poškodený alebo nefunguje správne.
13. Deti by mali byť pod dozorom, aby sa zaistilo, že sa so spotrebičom nehrajú.
14. Ak má spotrebič ochranu proti preťaženiu, nedotýkajte sa ho, aby ste ho naďalej používali, keď sa vráti do normálu.
15. Tento spotrebič nesmú používať deti.
Uchovávajte spotrebič a jeho kábel mimo dosahu detí.
16. Spotrebič môžu používať osoby so zníženými fyzickými, zmyslovými alebo mentálnymi schopnosťami alebo nedostatkom skúseností a znalostí, ak im bol poskytnutý dohľad alebo poučenie o používaní spotrebiča bezpečným spôsobom a ak pochopili príslušné riziká.
17. Deti sa so spotrebičom nesmú hrať. Čistenie a používateľskú údržbu nesmú robiť deti bez dozoru.
18. Ak je spotrebič ponechaný bez dozoru a pred jeho montážou, demontážou alebo čistením vždy odpojte od zdroja napájania.
19. Nepoužívajte spotrebič, ak je rotačné sitko poškodené.
20. Ak je napájací kábel poškodený, musí ho vymeniť výrobca, jeho servisný zástupca alebo podobne kvalifikovaná osoba, aby sa predišlo nebezpečenstvu.
21. Pred výmenou príslušenstva alebo priblížením sa k pohyblivým častiam spotrebiča pri jeho používaní, spotrebič vypnite a odpojte od napájania.



2. NÁZVY JEDNOTLIVÝCH ČASTÍ A PRÍSLUŠENSTVA



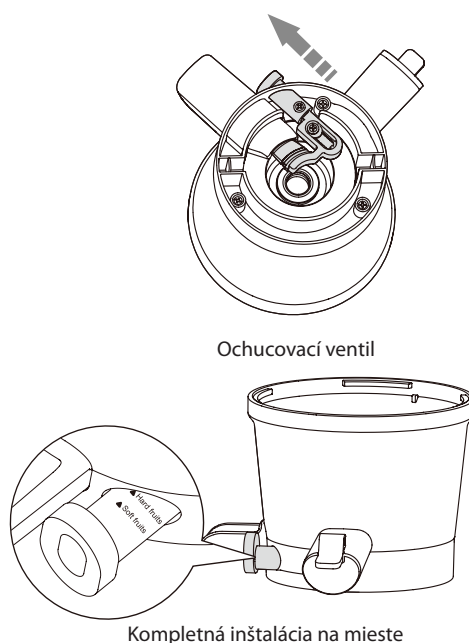
Poznámka: Vyššie uvedený obrázok slúži iba na informáciu, pretože vzhľad produktu sa mierne líši, pozrite si prosím skutočný produkt v balení.

3. UPOZORNENIA PRED POUŽÍVANÍM

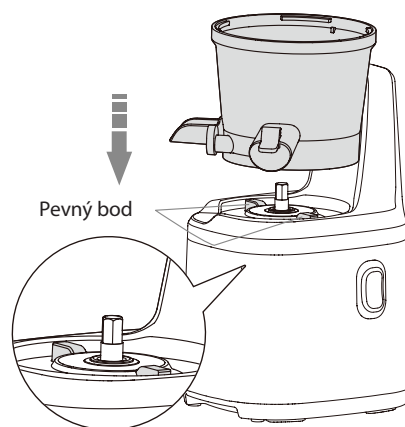
1. Nepoužívajte spotrebič nepretržite. Ak jeho používanie presiahne 20 minút, pred ďalším odšťavovaním ho zastavte a ochladte na 20 minút, aby ste zabránili poškodeniu spotrebiča.
2. V prípade prísad s vysokým obsahom vlákniny (zeler atď.), ich pred vložením do spotrebiča nakrájajte na kúsky s dĺžkou približne 5 až 10 cm a šírkou 1,5 až 2,5 cm. (V prípade prísad bohatých na vlákninu je najlepšie ich nakrájať na kúsky, ktoré nie sú dlhšie ako 3 cm a potom ich pomaly vkladať do spotrebiča.)
3. Na odšťavovanie nie sú vhodné mimoriadne tvrdé prísady, ako sú obilniny, cukrová trstina a zázvor.
4. V prípade prísad s tvrdými jadierkami a kôstkami ako sú čerešne, grapefruit, atď., ich najskôr zbavte jadierok a kôstok; V prípade citrónu, pomaranča a iného ovocia je najlepšie ovocie olúpať a zbaviť jadierok, aby neovplyvnilo chuť ovocnej šťavy.
5. Pri spracovaní tvrdšieho ovocia a zeleniny sa pri používaní spotrebiča vyskytnú „škripavé“ zvuky a spotrebič sa môže mierne triasť. Táto situácia je normálna a môžete naďalej používať spotrebič s dôverou.
6. Na odšťavovanie používajte čerstvé ovocie a zeleninu. V prípade ovocia a zeleniny uložených v chladničke, ju na dosiahnutie lepšieho účinku pred spracovaním namočte na viac ako 10 minút do vody.
7. Pri spracovaní ovocia a zeleniny s výraznejšími farbivami, ako je napríklad mrkva, červená repa atď., môže dôjsť k miernemu zafarbeniu nádoby odšťavovača a iných častí, čo je úplne normálne.
8. Pred spustením spotrebiča skontrolujte, či je veko nádoby odšťavovača nainštalované na svojom mieste.
9. Pri vkladaní prísad by ste ich mali vkladať pomaly postupne po jednej; tieto prísady musia byť dôkladne spracované pred vložením ďalších prísad.

4. SPÔSOB MONTÁŽE SPOTREBIČA

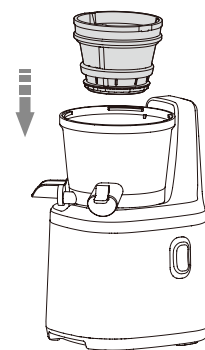
1. Spôsob montáže ventilu tvrdosti na spodnej časti nádoby odšťavovača.
Zatlačte ventil tvrdosti na spodku nádoby odšťavovača do polohy „Tvrdé ovocie“ v uvedenom smere.
Poznámka: Ventil tvrdosti musí byť namontovaný na svojom mieste; inak dôjde k problémom s únikom.



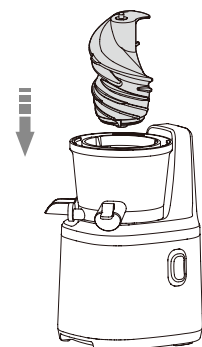
2. Nainštalujte nádobu odšťavovača na hlavnú jednotku.
Zarovnajte nádobu odšťavovača s pevným bodom na hlavnej jednotke a zatlačte ju nadol a jemne ju otočte, kým nie je nainštalovaná na svojom mieste.



3. Nainštalujte filter do nádoby odšťavovača.

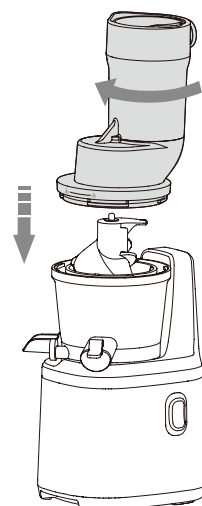


4. Namontujte hnací hriadeľ do stredu filtra a zatlačte ho, kým sa nezastaví.

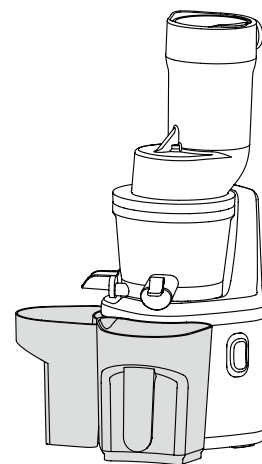


5. Nainštalujte veko nádoby odšťavovača.

Zarovnajte veko nádoby odšťavovača s písmenom „A“ na nádobe odšťavovača, otočte veko nádoby odšťavovača v smere hodinových ručičiek tak, aby veko nádoby odšťavovača „fl“ mohol byť zarovnaný s písmenom „A“ na nádobe odšťavovača.



6. Ako je to znázornené na obrázku, umiestnite zásobník na šťavu a zásobník na dužinu.



5. FUNKČNÝ POPIS

Tlačidlo Zapnuté (I): Na vylisovanie čerstvej šťavy a výrobu zmrzliny.

Tlačidlo Vypnuté (O): Slúži na zastavenie spotrebiča po procese odšťavovania.

Tlačidlo Spätný chod (R): Zdvíhanie ovocia a zeleniny smerom nahor, riešenie problému s uviaznutím pri odšťavovaní; problém s uviaznutím sa vyskytuje v priebehu procesu odšťavovania alebo výroby zmrzliny; spotrebič zmení smer pohybu, aby sa zabránilo preťaženiu prísadami alebo tvrdými prísadami a opraví proces extrakcie šťavy.

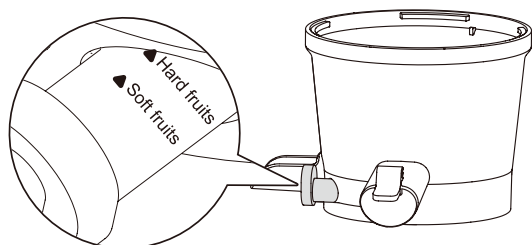
Príslušné plody zodpovedajú ventilu tvrdosti:

Soft fruits (mäkké ovocie): pomaranče, melón, červené hrozno, ananás, uhorka, paradajka, zmrzlina

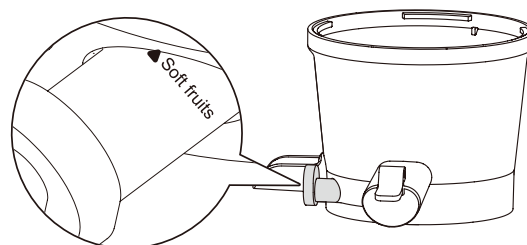
Hard fruits (tvrdé ovocie) + ovocie bohaté na vlákninu. Zloženie: jablko, hruška, zeler, mrkva, granátové jablko

Varovanie

1. Nestláčajte tlačidlo mokrými rukami. Pred vložením ovocia a zeleniny je zakázané nechať spotrebič voľne bežať dlhší čas.
2. V priebehu procesu odšťavovania neupravujte meniaci ventil často.



Tvrdé ovocie



Mäkké ovocie

6. POUŽITIE

Tvrdé ovocie

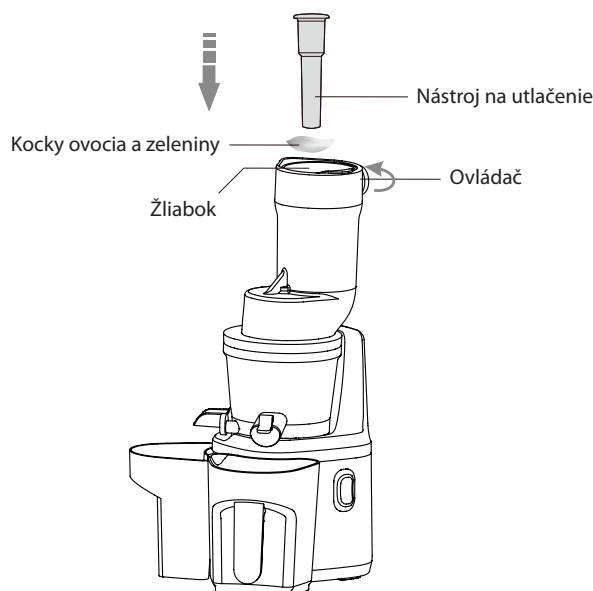
1. Umyté veľké kúsky ovocia a zeleniny vložte do otvoru na plnenie, otočením ovládača posúvajte ovocie a zeleninu do plniaceho otvoru a malé kúsky ovocia a zeleniny vložte do malého plniaceho otvoru. Po vložení ovocia a zeleniny ich zatlačte nástrojom na utlačanie.

Poznámka:

Na odšťavovanie používajte čerstvé ovocie a zeleninu. V prípade ovocia a zeleniny uloženej v chladničke, ju na dosiahnutie lepšieho účinku pred spracovaním namočte na viac ako 10 minút do vody.

Varovanie

- ① Tento spotrebič nie je vhodný na drvenie obilnín, cukrovej trstiny a iných tvrdých plodov.
- ② Pri ovocí s tvrdými jadierkami a kôstkami, pred odšťavovaním najskôr odstráňte jadierka.
- ③ V prípade zelera a iného hrubého vláknitého ovocia, po odšťavení 0,5 kg dôkladne spotrebič umyte.



2. Keď sa spotrebič v priebehu prevádzky náhle zastaví, najskôr prepnite tlačidlo do polohy „Vypnuté (O)“, potom do polohy „Spätný chod (R)“, aby sa ingrediencie zachytené v hnacom hriadeľi vytlačili nahor a potom stlačte tlačidlo do polohy „Zapnuté (I)“. (Zopakujte to asi trikrát).

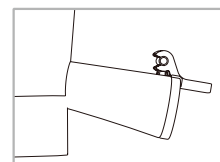
Varovanie:

- ① Keď je spotrebič v režime „Spätný chod (R)“, držte veko nádoby odšťavovača jemne rukou (aby ste zabránili uvoľneniu veka nádoby odšťavovača).
- ② Ak ani po vykonaní vyššie uvedeného opatrenia spotrebič stále nefunguje, zložte nádobu odšťavovača a dôkladne ju umyte.

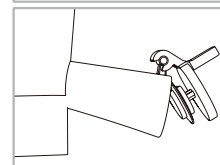
3. V priebehu odšťavovania môžete nechať výtoku šťavy zatvorené. Keď výstup šťavy dosiahne určité množstvo, otvorte veko a dajte šťavu do zásobníka na šťavu.

Výhody:

- ① Zníženie vystavenia pôsobeniu vzduchu a spomalenie oxidačného procesu.
- ② Na extrakciu zmiešanej ovocnej šťavy možno použiť rôzne druhy ovocia a zeleniny.



Výtok šťavy je zatvorený

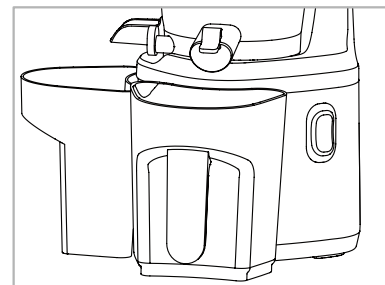


Výtok šťavy je otvorený

4. Po ukončení procesu odšťavovania prepnete tlačidlo do polohy „Vypnuté (O)“ a odpojte napájací kábel.

Odporúčania:

Vylisovanú šťavu neskladujte veľmi dlho.



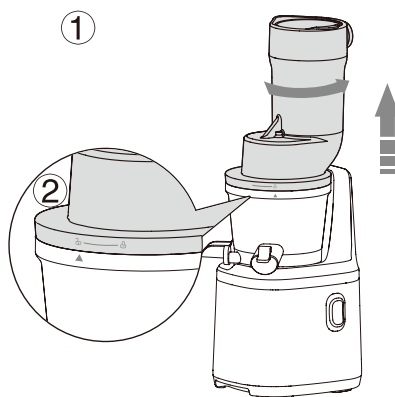
7. SPÔSOB DEMONTÁŽE SPOTREBIČA

1. Stlačením tlačidla zastavte spotrebič a odpojte napájací kábel.

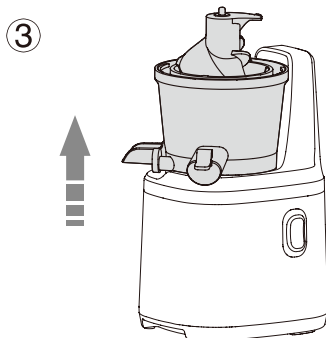
Odporúčania:

Po ukončení procesu odšťavovania prepnete tlačidlo do polohy „Spätný chod (R)“ a na niekoľko sekúnd ho držte, aby ste ho mohli ľahko rozobrať a vyčistiť.

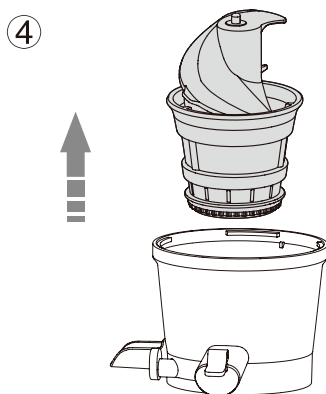
2. Ručne uchopte kryt nádoby odšťavovača a otočte ho proti smeru hodinových ručičiek, ako je to znázornené na obr. ①, otočte ho do polohy znázornenej na ② a rozoberte ho vytiahnutím smerom nahor.



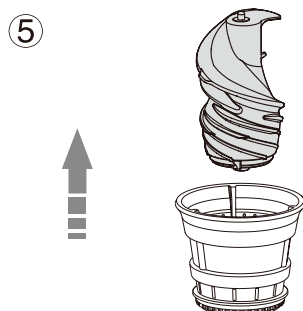
3. Uchopte výtok šťavy z nádoby odšťavovača a nadvihnite ho, aby ste ho tak demontovali (ako je znázornené na obr. ③).



4. Vyberte hnací hriadeľ a zostavu filtra (ako je znázornené na obr. ④).



5. Demontujte hnací hriadeľ a filter osobitne (ako je znázornené na obr. ⑤).



8. SPÔSOB PRÍPRAVY ZMRZLINY

Do mrazničky vložte ovocie, ako sú banány (olúpané), durian (bez semienok) a jahody (očistené) na viac ako 8 hodín. Do odšťavovača vložte špeciálny filter na zmrzlinu. Pred prípravou nechajte zmrazené ovocie 15 minút rozmraziť, naštartujte spotrebič a pomaly vložte ovocie do odšťavovača, aby sa vytvorila autentická zmrzlina s príchutou ovocia.

Prevádzkové kroky

1. Vložte nádobu na šťavu do výstupu dužiny na zachytávanie zmrzliny;
2. Zatlačte ventil tvrdosti do polohy „Soft fruits (mäkké ovocie)“;
3. Zatlačte tlačidlo do polohy „Forward (dopredu)“;
4. Zmrzlina bude vychádzať z výstupu dužiny.

Tipy

Pri príprave ovocnej zmrzliny, môžete pridávať mrazené mlieko podľa vlastnej chuti (mrazenú zložku je potrebné rozmraziť pri izbovej teplote, kým povrch mierne nezmäkne (viac ako 20 minút roztopenia v zimnom období a viac ako 15 minút v lete) a pomaly ju premiešajte do spotrebiča, aby ste pripravili chutnú zmrzlinu.

Zimné obdobie: Čas rozmrazovania je viac ako 20 minút;

Leto: Čas rozmrazovania je viac ako 15 minút.

Zmrazené prísady pomaly vkladajte do plniaceho otvoru, interval plnenia musí byť viac ako 5 sekúnd.

Mangová a banánová zmrzlina

- ① Nakrájajte mango a banán na malé kocky a nechajte ich zamraziť na 8 - 12 hodín v mrazničke.
- ② Vyberte ovocie z mrazničky a nechajte ho rozmraziť niekoľko minút pri izbovej teplote, aby sa znížila jeho tvrdosť;
- ③ Vložte špeciálny filter na zmrzlinu do odšťavovača, naštartujte spotrebič a vkladajte zmrazené kúsky manga a banánov do plniaceho otvoru.
- ④ Zmrzlina bude možné konzumovať priamo.

Pripomenka: Banánová zmrzlina by sa mala skonzumovať čo najskôr.

Zmrzlina z exotického ovocia (podľa vlastnej chuti môžete pridať jogurt alebo mlieko)

- ① Olúpte exotické ovocie (napr. dračie ovocie), nakrájajte ho na malé kocky a nechajte zmraziť 8 - 12 hodín v mrazničke.
- ② Vyberte ovocie z mrazničky a nechajte ho rozmraziť niekoľko minút pri izbovej teplote, aby sa znížila jeho tvrdosť;
- ③ Vložte špeciálny filter na zmrzlinu do odšťavovača, naštartujte spotrebič a vkladajte zmrazené kúsky exotického ovocia do plniaceho otvoru.
- ④ Jemne zatlačte kocky ovocia pomocou nástroja na utlačenie, umiestnite nádobu na zmrzlinu pod výstup dužiny a zmrzlina z exotického ovocia je pripravená;
- ⑤ Vyberte sušienky podľa vlastnej chuti, vložte ich do uzatvárateľného vrečka a pevne ho utesnite, sušienky rozlámete a podávajte so zmrzlinou.

Pripomenka: Zmrzlina z exotického ovocia by sa mala skonzumovať čo najskôr.

Broskyňová zmrzlina

- ① Umyte a olúpte broskyňu, vezmite broskyne nakrájané na malé kocky a zmrazte ich 8 - 12 hodín v mrazničke.
- ② Dajte čerstvé mlieko do chladničky;
- ③ Pripravené broskyne vyberte z mrazničky a nechajte ich niekoľko minút roztopiť pri izbovej teplote, aby sa znížila ich tvrdosť;
- ④ Vložte mrazené broskyňové kocky do plniaceho otvoru a podľa potreby pridajte čerstvé mlieko;
- ⑤ Jemne zatlačte ovocné kocky pomocou nástroja utlačenie, umiestnite nádobu na zmrzlinu pod výstup na dužinu a broskyňová zmrzlina je pripravená;
- ⑥ Pridaním obľúbeného džemu vytvoríte čerstvú broskyňovú mliečnu zmrzlinu.

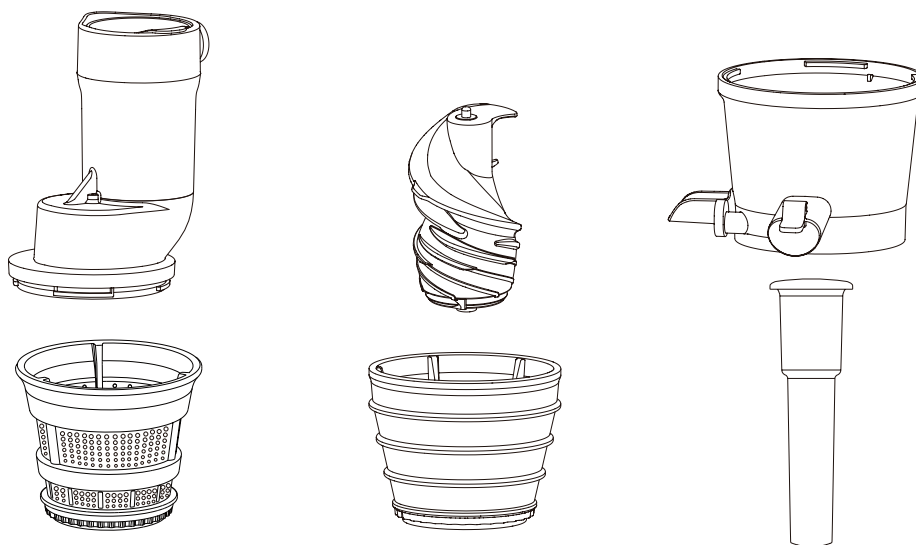
Pripomenka: Broskyňová zmrzlina by sa mala skonzumovať čo najskôr.

9. STAROSTLIVOSŤ A ČISTENIE

Čistenie

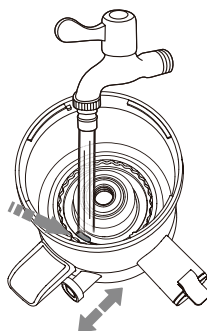
1. Každú demontovanú časť umyte tečúcou vodou. Ak zvyšky upchajú filtračnú sieťku, umyte filter čistiacou kefou.

Poznámka: Neumývajte ju pomocou drôtovej kefy ani ostrého nástroja na umývanie.

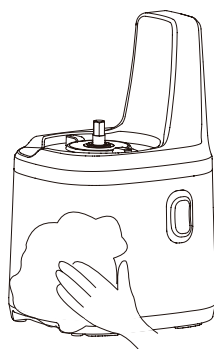


Osobitná pripomenka:

Pri umývaní zatlačte ventil tvrdosti tam a späť, aby sa uľahčilo čistenie.



2. Hlavnú jednotku neponárajte do vody, na jej čistenie použite len navlhčenú mäkkú tkaninu.



3. Po vyčistení opláchnite umyté časti a uložte ich na čisté a dobre vetrané miesto.

Poznámka:

- ① Pretože vysušená dužina môže ovplyvniť demontáž a čistenie a môže tiež zhoršiť výkon. Preto by sa malo umyť včas po každom použití.
- ② Gumové tesnenie pod nádobou odšťavovača je odnímateľné a umývateľné.
- ③ Žiadna časť odšťavovača nie je určená na umývanie v umývačke riadu.

Údržba

1. Tento produkt sa musí často používať na udržanie motora v suchu.
2. Pri dlhodobom uskladnení ho uložte na suchom a vetranom mieste, aby ste zabránili navlhnutiu motora a ovplyvneniu jeho normálneho používania.

10. TECHNICKÉ PARAMETRE VÝROBKU

Názov výrobku	Šnekový odšťavovač
Model	PHJE 5030
Napätie	220 - 240 V
Frekvencia	50/60 Hz
Výkon	200 W
Objem	1,0 l

POKYNY A INFORMÁCIE TÝKAJÚCE SA LIKVIDÁCIE POUŽITÝCH OBALOVÝCH MATERIÁLOV

Obalové materiály zlikvidujte na verejnom mieste pre likvidáciu odpadu.

LIKVIDÁCIA POUŽITÝCH ELEKTRICKÝCH A ELEKTRONICKÝCH SPOTREBIČOV



Význam symbolu na výrobku, jeho príslušenstve alebo obale znamená, že s týmto výrobkom nesmie byť zaobchádzané ako s komunálnym odpadom. Tento výrobok zlikvidujte na príslušnom zbernom mieste pre recykláciu odpadu z elektrických a elektronických zariadení. Popríklad je možné v niektorých štátoch Európskej únie alebo iných európskych štátoch vrátiť svoje výrobky miestnemu predajcovi, v prípade kúpy podobného nového výrobku. Správna likvidácia tohto výrobku pomôže ušetriť cenné prírodné zdroje a pomôcť pri prevencii prípadného negatívneho vplyvu na životné prostredie a ľudské zdravie, ku ktorému by mohlo dôjsť v dôsledku nesprávnej likvidácie odpadu. Podrobnejšie informácie získate od miestneho úradu alebo v najbližšom stredisku pre zber odpadu. Nesprávna likvidácia tohto typu odpadu môže podliehať vnútroštátnym predpisom o pokutách.

Pre podnikateľské subjekty v Európskej únii

Ak chcete zlikvidovať elektrické alebo elektronické zariadenie, vyžiadajte si potrebné informácie od svojho predajcu alebo dodávateľa.

Likvidácia v iných štátoch mimo Európskej únie

Ak chcete zlikvidovať tento výrobok, vyžiadajte si nevyhnutné informácie o správnom spôsobe likvidácie od miestnych úradov alebo svojho predajcu.



Tento výrobok spĺňa všetky základné požiadavky nariadenia EÚ, ktoré sa naň vzťahujú.

Zmeny v texte, dizajne a technických údajoch sa môžu vyskytnúť bez predchádzajúceho upozornenia a vyhradujeme si právo vykonať tieto zmeny.

ZAWARTOŚĆ

1. WAŻNE WSKAZÓWKI BEZPIECZEŃSTWA	3
2. NAZWY POSZCZEGÓLNYCH CZĘŚCI I AKCESORIÓW	4
3. OSTRZEŻENIA PRZED UŻYCIEM	5
4. SPOSÓB MONTAŻU URZĄDZENIA	5
5. OPIS FUNKCJONALNY	7
6. UŻYCIE	7
7. SPOSÓB DEMONTAŻU URZĄDZENIA	8
8. SPOSÓB PRZYGOTOWANIA LODÓW	9
KROKI OPERACYJNE	9
LODY MANGO I BANANOWE	9
LODY Z OWOCÓW EGZOTYCZNYCH (WEDŁUG WŁASNEGO GUSTU MOŻESZ DODAĆ JOGURT ALBO MLEKO)	9
BRZOSKWINIOWE LODY	10
9. PIELĘGNACJA I CZYSZCZENIE	10
CZYSZCZENIE	10
KONSERWACJA	11
10. PARAMETRY TECHNICZNE PRODUKTU	11

Drogi kliencie

Dziękujemy za zakup produktu marki PHILCO. Aby twoje urządzenie mogło dobrze służyć, przeczytaj wszystkie wskazówki o których mowa w tej instrukcji obsługi.

1. WAŻNE WSKAZÓWKI BEZPIECZEŃSTWA

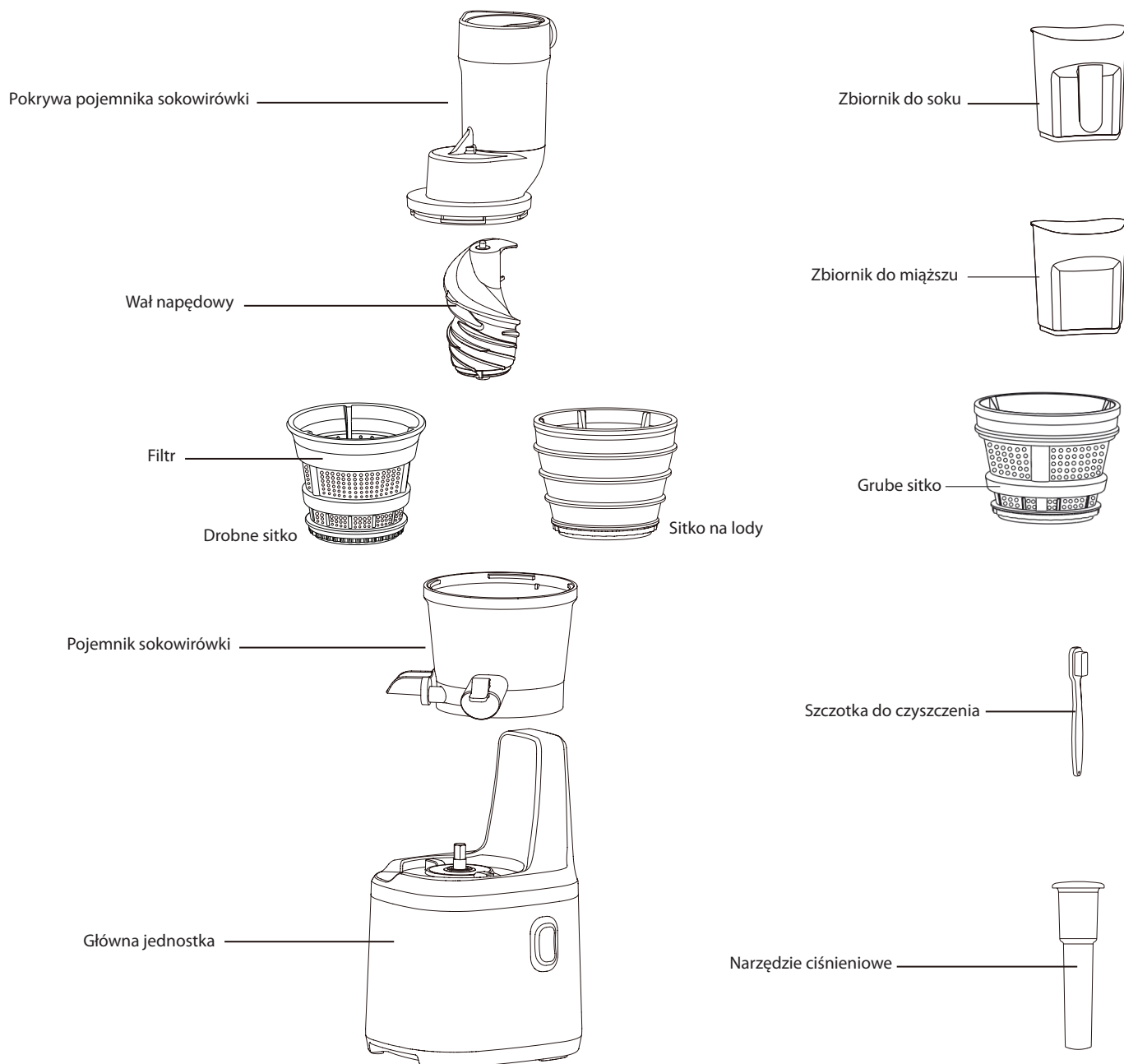
Przeczytaj instrukcję, proszę o zachowanie jej w bezpiecznym miejscu, przekaz ją, jeśli urządzenie zostanie przekazane. Przed użyciem usuń wszystkie opakowania.

Przestrzegaj podstawowych zasad bezpieczeństwa, łącznie:

1. Nie dawaj jednostki głównej do płynów, nie używaj jej w łazience, blisko wody albo na zewnątrz.
 2. Przed montowaniem albo odłączaniem produktu odłącz go z sieci.
 3. Do użytku tylko i wyłącznie w domu.
 4. Nie używaj produktu, kiedy pokrywa nie jest na swoim miejscu.
 5. Nie wypełniaj urządzenia niczym cieplejszym niż to co potraficie normalnie utrzymać w rękach (np. pod 40 °C)
 6. Kiedy jest produkt podłączony do sieci elektrycznej, nie dawaj do pojemnika łyżek, szpatułek albo innych przedmiotów.
 7. Kiedy jest produkt podłączony do sieci elektrycznej nie zostawiaj go bez opieki.
 8. Główną jednostkę umieść go na suche, stabilne i równe miejsce.
 9. Kabel prowadź tak żeby nie wystawał i żeby się o niego nikt nie potknął.
 10. Nie dopuść do przepełnienia pojemnik. Jak by się płyn dostał pod główną jednostkę, może się dostać do silnika i zepsuć go.
 11. Nie używaj produktu do żadnego innego celu niż do tego co jest podany w tej instrukcji obsługi.
 12. Nie używaj urządzenia, jeśli jest uszkodzone albo nie działa tak jak by miał.
 13. Dzieci by miały być pod opieką, aby upewnić się, że się z urządzeniem nie bawią
 14. Jak ma urządzenie ochronę przeciwko przeciążeniu, nie dotykaj się do niego, żeby się go dało używać po tym co wróci do normy
 15. Tego produktu nie mogą używać dzieci.
- Przechowaj urządzenie i jego kabel z dala od dzieci.
16. Urządzenie mogą używać osoby o zmniejszonej sprawności fizycznej, zdolnościami sensorycznymi albo umysłowymi albo z brakiem doświadczenia, jak był im zapewniony nadzór albo instrukcja bezpiecznego korzystania z urządzenia bezpiecznym sposobem i jak zrozumiał możliwe ryzyka.
 17. Dzieci się nie mogą bawić z urządzeniem. Czyszczenie i konserwację nie mogą robić dzieci bez opieki.
 18. Jak jest urządzenie zostawione bez opieki, przed jego montażem albo czyszczeniem zawsze odłącz od zasilacza.
 19. Nie używaj urządzenia jak jest sito obrotowe zepsute.
 20. Jak jest popsuty kabel, musi go wymienić producent, jego zastępca albo wykwalifikowana osoba, aby uniknąć niebezpieczeństwa.
 21. Przed wymianą urządzenia albo przybliżeniem się do ruszających się części urządzenia przy jego używaniu, urządzenie wyłącz od zasilacza.



2. NAZWY POSZCZEGÓLNYCH CZĘŚCI I AKCESORIÓW



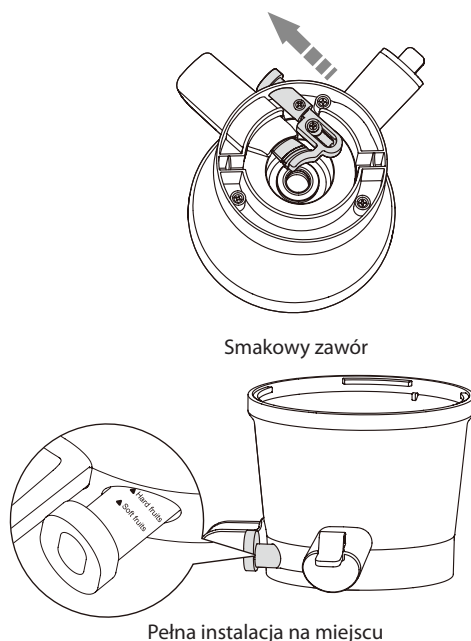
Uwaga: Powyższe zdjęcie służy wyłącznie celom informacyjnym, dlatego wygląd produktu jest nieco inny, zobacz proszę prawdziwy produkt w opakowaniu.

3. OSTRZEŻENIA PRZED UŻYCIEM

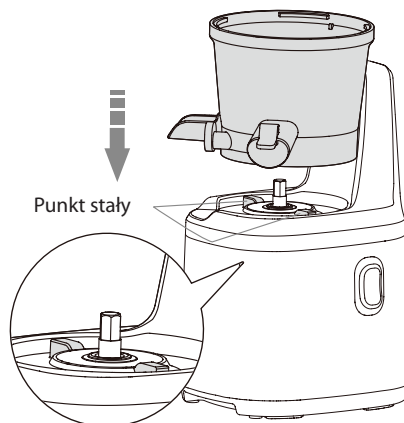
1. Nie używaj produktu w sposób ciągły. Kiedy jego używanie przekroczy 20 minut, przed następnym wyciskaniem soku go zatrzymaj i ochłódź go na 20 minut, żeby zapobiec uszkodzeniu produktu.
2. W przypadku składników bogatych w błonnik (seler itp.), przed ich włożeniem do urządzenia pokrój ich na kawałki o długości jakiś 5-10 cm i szerokości 1,5-2,5 cm. (w przypadku składników bogatych w błonnik jest najlepiej ich pokroić na kawałki które nie mają więcej niż 3cm i potem ich pomału wkładać do urządzenia.
3. Do wyciskania nie są odpowiednie bardzo twarde składniki takie jak zboża, trzcina cukrowa i imbir.
4. W przypadku składników z twardymi pestkami na przykład czereśnie, grapefruit itp. Najpierw się trzeba pozbyć pestek; w przypadku cytryny, pomarańcza innych owoców najlepiej jest obrać owoce i wyjąć pestki, żeby to nie miało wpływu na smak soku.
5. Przy przetwarzaniu twardych owoców i warzyw, przy używaniu urządzenia nastąpią skrzypiące dźwięki i urządzenie się może trząść. Ta sytuacja jest normalna i możesz bez problemów używać sokowirówkę.
6. Do wyciskania soku używaj świeże owoce i warzywa. W przypadku owoców i warzyw z lodówki ich dla lepszego przetwarzania namocz na 10 minut do wody.
7. Przy przetwarzaniu owoców i warzyw z mocniejszymi barwnikami, na przykład marchewka, buraki itp. Może się pojemnik i inne części lekko zafarbować, ale to jest zupełnie normalne.
8. Przed włączeniem urządzenia skontroluj, czy pokrywa sokowirówki jest zainstalowana na właściwym miejscu.
9. Przy wkładaniu składników by się ich miało wkładać pomału po jednym; te składniki muszą być dokładnie przetworzone przed włożeniem następnych składników.

4. SPOSÓB MONTAŻU URZĄDZENIA

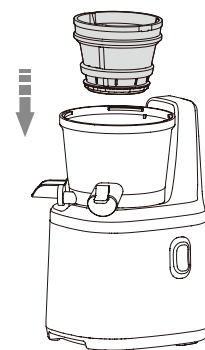
1. Sposób montażu zaworu twardości na dolnej części pojemnika sokowirówki.
Wciśnij zawór twardości na dolnej części pojemnika sokowirówki do pozycji „Twarde owoce” w tym kierunku.
Uwaga: Zawór twardości musi być przymocowany na swoim miejscu; inaczej mogą wystąpić problemy z wyciekiem.



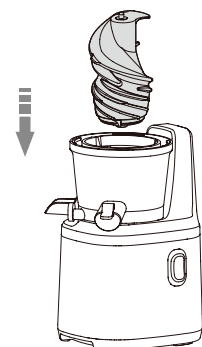
2. Przymocuj pojemnik sokowirówki na jednostkę główną.
Wyrównaj pojemnik sokowirówki ze stałym punktem na jednostce głównej i przyciśnij ją na dół i delikatnie go obróć, dopóki nie zostanie zainstalowany na swoim miejscu.



3. Przymocuj filtr do pojemnika sokowirówki.

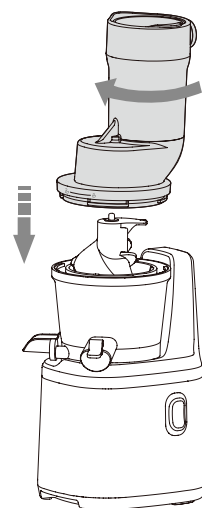


4. Przymocuj wał napędowy do środka filtra i przyciśnij go, dopóki się nie zatrzyma.

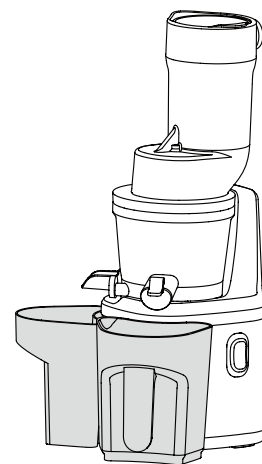


5. Przymocuj pokrywę pojemnika sokowirówki.

Wyrównaj pokrywę pojemnika sokowirówki z literą „A” na pojemniku sokowirówki, obróć pokrywę pojemnika sokowirówki w kierunku wskazówek zegara, tak żeby pokrywa pojemnika sokowirówki „fl” mogła być wyrównana z literą „A” na pojemniku sokowirówki.



6. Tak jak to jest pokazane na obrazku, umieść dozownik soku i dozownik miąższu.



5. OPIS FUNKCJONALNY

Przycisk włączony (I): Do wyciskania soku i robienia lodów.

Przycisk wyłączony (O): Służy do zatrzymania urządzenia w procesie wyciskania owoców.

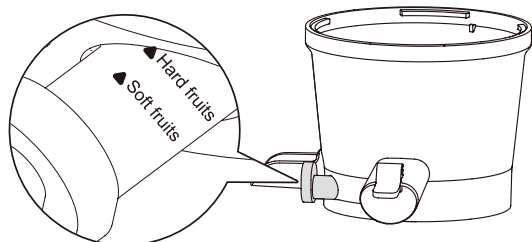
Przycisk bieg wsteczny (R): Podnoszenie owoców i warzyw w górnym kierunku, rozwiązanie problemów z zaklinowaniem przy wyciskaniu; problem z zaklinowaniem występuje w toku procesu wyciskania albo produkowania lodów: urządzenie zmieni kierunek ruchu, aby uniknąć przeciężeniu składnikami albo twardymi składnikami i naprawi proces ekstrakcji soku.

Odpowiednie owoce odpowiadają zaworowi twardości:

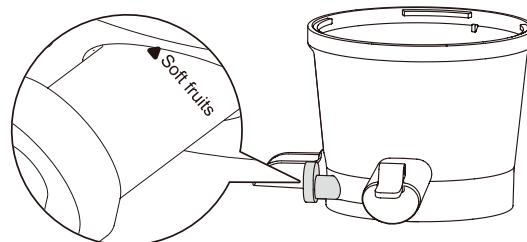
Soft fruits (miękkie owoce): pomarańcze, arbuz, czerwone winogrono, ananas, ogórek, pomidor, lody

Hard fruits (twarde owoce) + owoce bogate w błonnik. Skład jabłko, gruszka, seler, marchew, granat

- Uwaga**
1. Nie przyciskaj przycisku mokrymi rękami. Przed wsadzeniem owoców i warzyw jest zakazane zostawić urządzenie na swobodnym biegu dłuższy czas.
 2. Nie reguluj często zaworu zmiany podczas wyciskania soku.



Twarde owoce



Miękkie owoce

6. UŻYCIE

Twarde owoce

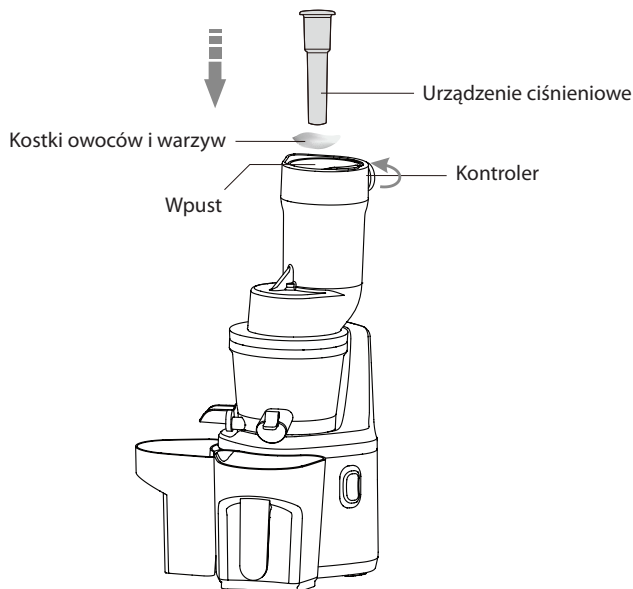
1. Umyte kawałki owoców albo warzyw daj do otworu do pełnienia, obróceniem pokrętki przesunij owoce i warzywa w otwór wlewowy i małe kawałki owoców albo warzyw daj do małego otworu wlewowego. Po włożeniu owoców i warzyw ich przyciśnij narzędziem do ucisku.

Uwaga:

Do wyciskania używaj świeże owoce i warzywa. W przypadku owoców i warzyw przechowywanych w lodówce, daj ich do wody na jakiś 10 minut.

Ostrzeżenie

- ① To urządzenie nie jest odpowiednie do miksowania zbóż, trzciny cukrowej i innych twardych owoców.
- ② Przy owocach z twardymi pestkami, przed wyciskaniem soku najpierw wyjmij pestki.
- ③ W przypadku selera i innych grubych bogatych w błonnik owoców, po wyciskaniu 0,5 kg soku dokładnie umyj urządzenie.



2. Kiedy urządzenie podczas pracy nagle się zatrzyma, najpierw przełącz przycisk w kierunku „Wyłączony (O)” potem w kierunku „Bieg wsteczny (R)”, aby się składniki uwięzione w wale napędowym wycisnęły na górę i potem przyciśnij przycisk w kierunku „Włączony (I)”. (Powtórz to jakiś 3 razy).

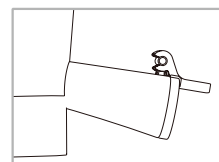
Ostrzeżenie:

- ① Kiedy jest urządzenie w trybie „Bieg wsteczny (R)”, trzymaj pokrywę pojemnika sokowirówki delikatnie ręką (aby uniknąć uwolnienia pokrywki).
- ② Jak nawet po wykonaniu wspomnianego działania urządzenie ciągle nie działa, zdejmij pojemnik sokowirówki i umyj go.

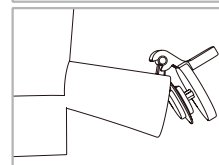
3. Podczas wyciskania soku możesz zostawić pokrywę wycieku soku zamkniętą. Kiedy wydajność soku osiąga pewną wartość, otwórz pokrywę i daj sok dozownika na sok.

Plusy:

- ① Zmniejszenie ekspozycji na powietrze i spowolnienie procesu utleniania
- ② Do ekstrakcji zmieszanego soku z owoców można użyć różne owoce i warzywa.



Odływ soku jest zamknięty

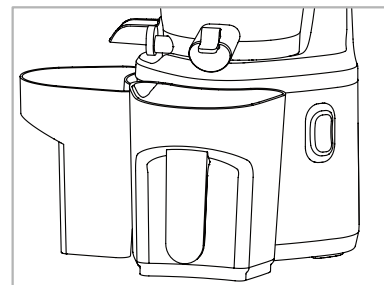


Odływ soku jest otwarty

4. Po skończeniu procesu wyciskania soku przełącz przycisk w kierunku „Wyłączony (O)” i odłącz kabel.

Zalecenia:

Wyciśnięty sok nie trzymaj długo...



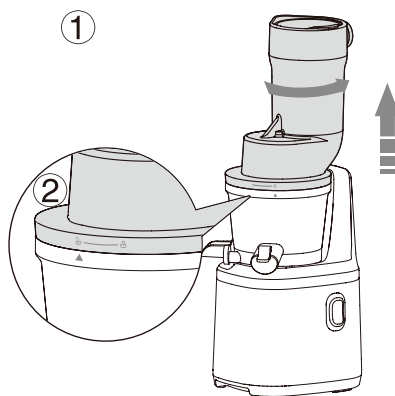
7. SPOSÓB DEMONTAŻU URZĄDZENIA

1. Przyciśnięciem przycisku zatrzymaj urządzenie i odłącz kabel.

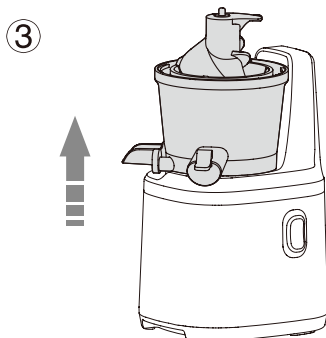
Zalecenia:

Po skończeniu procesu wyciskania soku przełącz przycisk w kierunku „Bieg wsteczny (R)” i na parę sekund go trzymaj, żebyś go mógł łatwo rozebrać i wyczyścić.

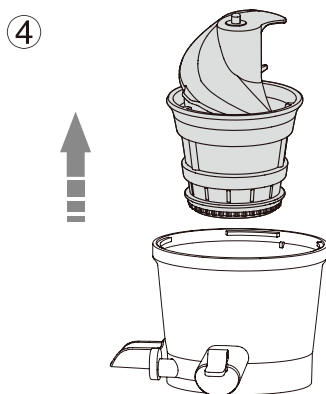
2. Ręcznie chwyć obudowę pojemnika i odwróć go przeciwnie do ruchu wskazówek zegara, tak jak jest pokazane na obrazku 1, odwróć w kierunku pokazanym na obrazku 2, i rozbierz go pociągając do góry.



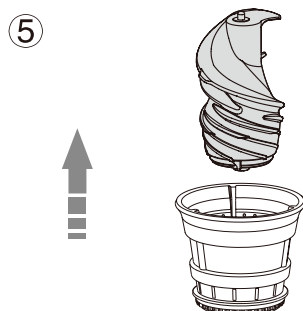
3. Złap przepływ soku z pojemnika sokowirówki i podnieś go, żebyś go tak demontował (jak jest pokazane na obrazku ③).



4. Wyjmij wał napędowy i filtr (tak jak to jest pokazane na obrazku ④).



5. Demontuj wał napędowy i filtr osobno (tak jak to jest pokazane na obrazku ⑤).



8. SPOSÓB PRZYGOTOWANIA LODÓW

Do zamrażarki włóż owoce, na przykład banany (obrane), durian (bez nasion) i truskawki (wyczyszczone) na więcej niż 8 godzin. Do sokowirówki włóż specjalny filtr do lodów. Przed przygotowaniem zostaw zamrożone owoce na 15 minut rozmrozić, włącz urządzenie i pomału włóż owoce do sokowirówki, aby się utworzyły autentyczne lody o smaku owoców.

Kroki operacyjne

1. Włóż pojemnik do soku do produkcji miąższu do łapania lodów;
2. Przyciśnij zawór twardości w kierunku „Soft fruits (miękkie owoce)“;
3. Przyciśnij przycisk w kierunku „Forward (do przodu)“;
4. Lody będą wychodzić z wyjścia miąższu.

Wskazówki

Przy przygotowaniu lodów owocowych dodaj mrożone mleko według swojego smaku (mrożone komponenty trzeba rozmrozić przy temperaturze pokojowej, dopóki powierzchnia nie będzie trochę miękka (więcej niż 20 minut w zimie i więcej niż 15 minut w lecie) i pomału ją przymieszaj do urządzenia, żebyś przygotował smaczne lody.

Zima: Czas rozmrożenia jest więcej niż 20 minut;

Lato: Czas rozmrożenia jest więcej niż 15 minut.

Zamrożone składniki pomału wkładaj do otworu, interwał napełniania musi być więcej niż 5 sekund.

Lody mango i bananowe

- ① Pokrój mango i banan na małe kostki i zostaw w zamrażarce na 8 – 12 godzin.
- ② Wyjmij owoce z zamrażarki i zostaw ich rozmrozić na parę minut przy temperaturze pokojowej, aby się zmniejszyła ich twardość;
- ③ Włóż specjalny filtr na lody do sokowirówki, włącz urządzenie i włóż zamrożone kawałki mango i bananów do otworu.
- ④ Lody będzie można spożywać bezpośrednio.

Uwaga: Bananowe lody by się miały zjeść co najszybciej.

Lody z owoców egzotycznych (według własnego gustu możesz dodać jogurt albo mleko)

- ① Obierz owoce egzotyczne (np. Pitahaya), pokrój ją na małe kostki i zostaw w zamrażarce na 8 – 12 godzin w zamrażarce.
- ② Wyjmij owoce z zamrażarki i zostaw go rozmrozić parę minut przy temperaturze pokojowej, aby się zmniejszyła jego twardość;
- ③ Włóż specjalny filtr na lody do sokowirówki, włącz urządzenie i włóż zamrożone kawałki owoców egzotycznych do otworu.
- ④ Delikatnie przyciśnij kostki owoców za pomocą urządzenia do przyciskania, umieść pojemnik na lody pod wyjście soku i lody z owoców egzotycznych są gotowe;
- ⑤ Wybierz ciastka według własnego gustu, włóż ich do siatki i mocno go zamknij, ciastka połam i podawaj z lodami.

Uwaga: Lody z owoców egzotycznych by się miały zjeść co najszybciej.

Brzoskwiowe lody

- ① Umyj i obierz owoce, weź brzoskwinie i pokrojone małe kostki i zostaw w zamrażarce na 8 – 12 godzin.
- ② Daj świeże mleko do lodówki;
- ③ Przygotowane brzoskwinie wyjmij z zamrażarki i zostaw ich rozmrozić parę minut przy temperaturze pokojowej, aby się zmniejszyła ich twardość;
- ④ Włóż zamrożone brzoskwiowe kostki do otworu i według potrzeby dodaj świeże mleko;
- ⑤ Delikatnie przyciśnij kostki owocowe za pomocą urządzenia do przyciskania, umieść pojemnik na lody pod wyjście miąższu i lody brzoskwiowe są gotowe;
- ⑥ Dodaniem ulubionego dżemu wytworzysz świeże brzoskwiowe mleczne lody.

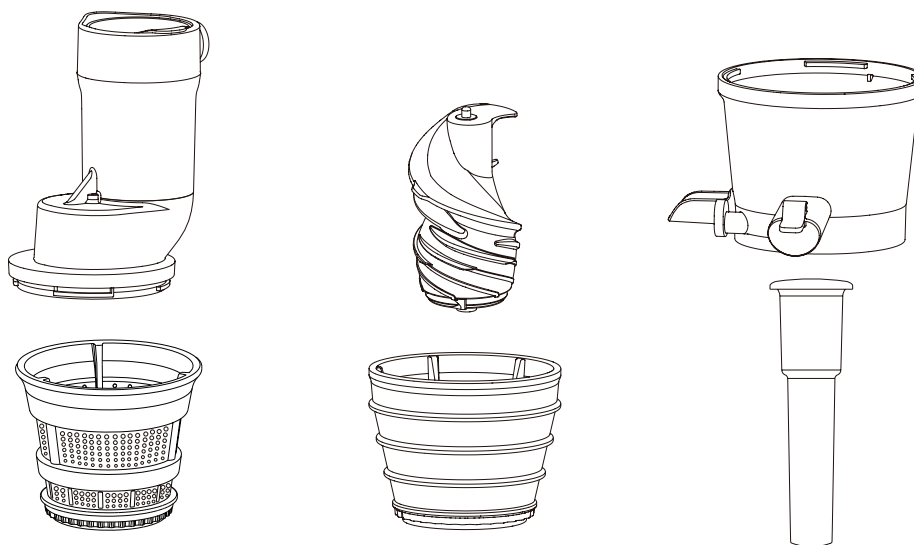
Uwaga: Brzoskwiowe lody by się miały zjeść co najszybciej.

9. PIELĘGNACJA I CZYSZCZENIE

Czyszczenie

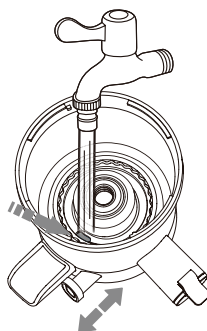
1. Każdą rozebraną część umyj wodą. Jak resztki jedzenia zatkają siatkę filtra, umyj filtr szczotką do czyszczenia.

Uwaga: Nie myj jej za pomocą szczotki drucianej ani ostrego przedmiotu do zmywania.

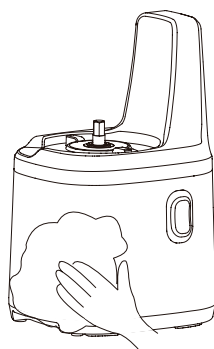


Uwaga specjalna:

Przy myciu przyciśnij zawór twardości tam i s powrotem, żeby ułatwić czyszczenie.



2. Główną jednostkę nie dawaj do wody, do jej czyszczenia użyj tylko mokrą miękką ścierkę.



3. Po wyczyszczeniu opłucz umyte części i odstaw ich na miejsce dobrze wentylowane.

Uwaga:

- ① Dlatego, że wysuszony miąższ może wpłynąć na demontaż i czyszczenie i może też obniżyć wydajność. Dlatego by się miało umyć po każdym zastosowaniu.
- ② Gumowa uszczelka pod pojemnikiem sokowirówki jest wymienna i zmywalna.
- ③ Żadna część wyciskarki do soków nie jest przeznaczona do mycia w zmywarce do naczyń.

Konserwacja

1. Ten produkt się musi często używać do utrzymania silnika w suchym miejscu.
2. Przy długotrwałym przechowywaniu go zostaw na suchym i wentylowanym miejscu, aby zapobiec zwilżeniu silnika i wpływu na jego normalne użytkowanie.

10. PARAMETRY TECHNICZNE PRODUKTU

Nazwa produktu	Sokowirówka śrubowa
Model	PHJE 5030
Napięcie	220 - 240 V
Częstotliwość	50/60 Hz
Moc	200 W
Objętość	1,0 l

WSKAZÓWKI I INFORMACJE O POSTĘPOWANIU ZE ZUŻYTYM OPAKOWANIEM

Zużyty materiał opakowania odnieś na miejsce wyznaczone przez administrację.

LIKWIDACJA ZUŻYTYCH URZĄDZEŃ ELEKTRYCZNYCH I ELEKTRONICZNYCH



Ten symbol na produktach lub w dokumentach dodatkowych oznacza, że zużyte urządzenie elektryczne i elektroniczne nie mogą zostać wyrzucone z odpadem komunalnym. Aby odpowiednio likwidować, odnawiać i oddawać do recyklingu oddawaj te produkty do odpowiednich punktów zbiórki. Alternatywnie w niektórych krajach Unii Europejskiej lub w innych krajach Europy możesz zwrócić swoje produkty lokalnemu sprzedawcy przy zakupie ekwiwalentnego nowego produktu. Odpowiednio likwidując ten produkt pomożesz zachować cenne źródła naturalne i pomagasz w prewencji potencjalnych negatywnych wpływów na środowisko i zdrowie ludzkie, które mogłyby być wynikiem niewłaściwej likwidacji odpadów. O więcej szczegółów poproś w lokalnej administracji lub w najbliższym punkcie zbiórki odpadów. Za nieodpowiednią likwidację tego rodzaju odpadu mogą zostać udzielone mandaty zgodnie z przepisami państwowymi.

Dla podmiotów handlowych w krajach Unii Europejskiej

Jeśli chcesz zlikwidować urządzenia elektryczne i elektroniczne, zapytaj o potrzebne informacje swojego sprzedawcę lub dostawcę.

Likwidacja w innych krajach poza Unią Europejską

Symbol ten obowiązuje w UE. Jeśli chcesz zlikwidować ten produkt, zapytaj o potrzebne informacje o odpowiednim sposobie likwidacji w lokalnej administracji lub u sprzedawcy.



Produkt ten spełnia wszystkie podstawowe wymagania rozporządzeń UE, które się do niego stosują.

Zmiany w tekście, wyglądzie i specyfikacji technicznej mogą się pojawić bez uprzedniego ostrzeżenia zastrzegamy sobie prawo do tych zmian.

TARTALOM

1. FONTOS BIZTONSÁGI UTASÍTÁSOK	3
2. AZ EGYES RÉSZEK ÉS TARTOZÉKOK NEVE	4
3. HASZNÁLAT ELŐTTI TUDNIVALÓK.....	5
4. A KÉSZÜLÉK ÖSSZESZERELÉSE	5
5. A FUNKCIÓK ISMERTETÉSE.....	7
6. HASZNÁLAT	7
7. A KÉSZÜLÉK SZÉTSZERELÉSE.....	8
8. FAGYLALKÉSZÍTÉS	9
A MUNKAFOYAMAT LÉPÉSEI.....	9
MANGÓ – ÉS BANÁNFAGYLALT	9
EGZOTIKUS GYÜMÖLCSFAGYLALT (ÍZLÉS SZERINT JOGHURTTAL VAGY TEJJEL DÚSÍTHATÓ).....	9
BARACKFAGYLALT.....	10
9. ÁPOLÁS ÉS TISZTÍTÁS.....	10
TISZTÍTÁS	10
ÁPOLÁS	11
10. A TERMÉK MŰSZAKI PARAMÉTEREI	11

Tisztelt vásárlónk,

köszönjük, hogy PHILCO terméket vásárolt. Kérjük, hogy a készülék helyes használata érdekében olvassa el az egész használati utasítást.

1. FONTOS BIZTONSÁGI UTASÍTÁSOK

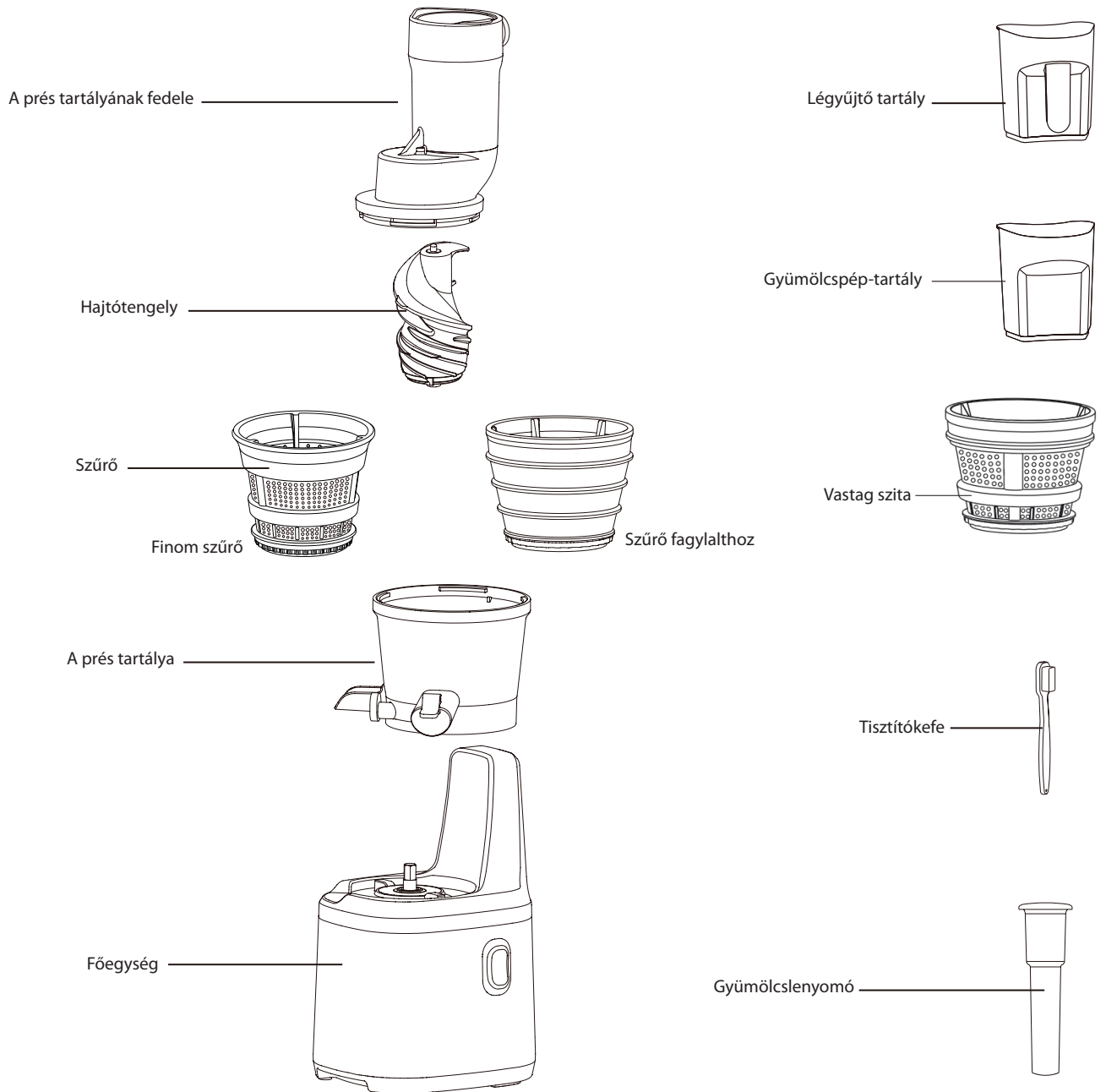
Kérjük, hogy olvassa el az útmutatót, őrizze egy biztonságos helyen, és mellékelje a készülékhez, amennyiben továbbadja azt valakinek. Használat előtt távolítsa el az összes csomagolóanyagot.

Tartsa be az alapvető biztonsági szabályokat, beleértve az alábbiakat:

1. Ne merítse vízbe a főegységet, ne használja fürdőszobában, víz mellett vagy a szabadban.
2. Szerelés vagy szétszerelés előtt válassza le a készüléket az elektromos hálózatról.
3. Csak háztartásokban használható.
4. Ne használja a készüléket amíg nincs rajta a fedél.
5. Tilos langyosnál melegebb élelmiszert, amit nem tud szabad kézzel is megfogni, a készülékbe tölteni (40 °C alatt).
6. Tilos kanalat, spatulát vagy más tárgyakat a készülékbe helyezni, ha az csatlakoztatva van az áramkörhöz.
7. Ne hagyja felügyelet nélkül a készüléket, ha az csatlakoztatva van.
8. Helyezze egy száraz, egyenes és szilárd felületre a főegységet.
9. A tápkábelt úgy kell vezetni, hogy ne lehessen belebotlani vagy lerántani.
10. Ne hagyja túlfolyni a tartályt. Ha a főegység alá folyadék kerül, ez a motorba folyhat és megrongálhatja azt.
11. A készüléket kizárólag az útmutatóban ismertetett célokra szabad használni.
12. Ne használja a készüléket, ha az megsérült, vagy nem működik rendesen.
13. Ügyelni kell a gyermekekre, hogy ne játszanak a készülékkel.
14. Ha a készülék túlterhelés elleni védelemmel rendelkezik, ne érintse meg azt, hogy a rendes állapotra való visszatérés után is használható maradjon.
15. A készüléket nem használhatják gyermekek.
Tárolja gyermekektől távol a készüléket és a tápkábelt.
16. A készüléket használhatják korlátozott fizikai, szellemi és érzékszervi képességű személyek, illetve kellő tapasztalattal nem rendelkező személyek is, amennyiben felügyelnek rájuk, és tisztában vannak a készülék biztonságos használatának feltételeivel és a fennálló veszélyekkel.
17. A készülékkel nem játszhatnak gyermekek. A tisztítást és ápolást nem végezhetik gyermekek felügyelet nélkül.
18. Válassza le a készüléket a hálózatról, ha felügyelet nélkül áll, valamint szerelés, szétszerelés és tisztítás előtt is.
19. Ne használja a készüléket, ha megsérült a forgószita.
20. A sérült tápkábelt a fennálló veszélyek miatt csak a gyártó, szerviz-technikus vagy más képzett személy cserélheti ki.
21. Kapcsolja ki és válassza le a készüléket a tartozékok cseréje előtt, vagy mielőtt megérintené a forgó részeket.



2. AZ EGYES RÉSZEK ÉS TARTOZÉKOK NEVE



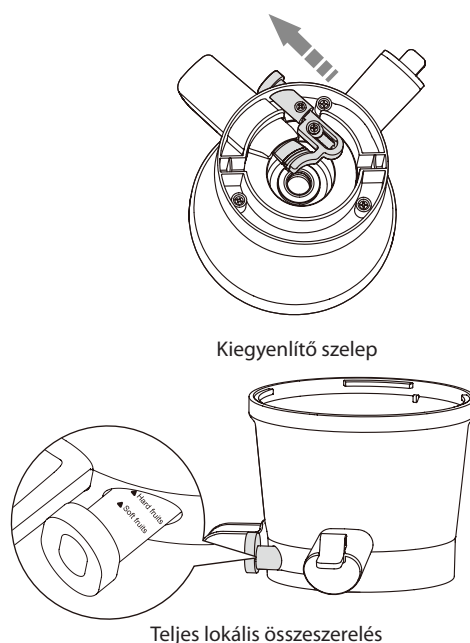
Megjegyzés: A fenti ábra csak tájékoztató jellegű, a valódi termék kicsit eltérő lehet. Mindig a valódi termék a mérvadó.

3. HASZNÁLAT ELŐTTI TUDNIVALÓK

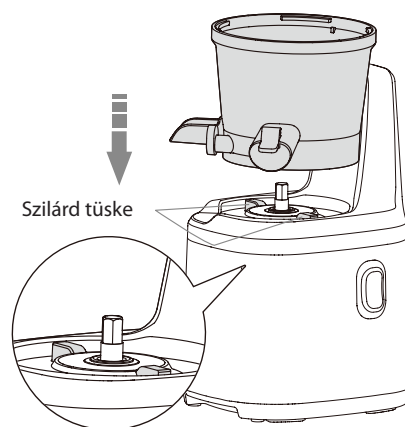
1. Ne használja megszakítás nélkül a készüléket. Ha a használati ideje meghaladja a 20 percet, szakítsa meg a facsarást és hagyja hűlni 20 percen át készüléket a sérülések megelőzése végett.
2. A magas rosttartalmú nyersanyagot (pl. zellert stb.) vágja fel kb. 5-10 cm hosszú 1,5 - 2,5 cm széles darabokra behelyezés előtt. (A rostokban gazdag hozzávalókat ajánlatos 3 cm-nél rövidebb darabokra vágni és lassan adagolni a készülékbe.)
3. Nagyon kemény nyersanyag, mint a gabonafélék, cukornád és a gyömbér nem alkalmas facsarásra.
4. A keményebb vagy csonthéjas magvakat tartalmazó gyümölcsöt, mint a grapfruit, cseresznye stb. először meg kell tisztítani és el kell távolítani a magvakat; a citromot, narancsot és más gyümölcsöt ajánlatos meghámozni és eltávolítani a magvakat, hogy ezek ne befolyásolják a gyümölcslé ízét.
5. Keményebb gyümölcs és zöldség feldolgozása esetén a készülékből „csikorgó” hang hallható és a készülék enyhén rezeghet. Ez egy normális jelenség és a készüléket tovább lehet használni.
6. Használjon friss gyümölcsöt és zöldséget a facsaráshoz. A hűtőszekrényben tárolt gyümölcsöt és zöldséget a jobb eredmény miatt ajánlatos először 10 percen át vízben áztatni.
7. Intenzív színű gyümölcs és zöldség feldolgozásánál, mint a sárgarépa, cékla stb. a tartály és más részek enyhén elszíneződhetnek, ami nem befolyásolja a jó működést.
8. A készülék bekapcsolása előtt ellenőrizze, hogy a prés tartályának fedele rögzítve van a helyén.
9. A nyersanyagot folyamatosan és egyenként javasolt adagolni; csak alapos feldolgozásuk után helyezze be a további tételeket.

4. A KÉSZÜLÉK ÖSSZESZERELÉSE

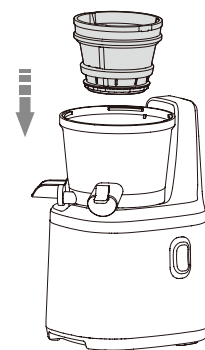
1. A keménységi szelep összeszerelésének módja a gyümölcsprés tartályának alsó részén.
Nyomja a keménységi szelepet a gyümölcsprés tartályának alsó részén „Kemény gyümölcs” pozícióra az ábrázolt irányban.
Megjegyzés: A keménységi szelepet mindig fel kell szerelni, különben szívárgási problémákkal kell számolni.



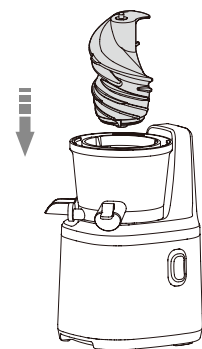
2. Szerelje fel a gyümölcsprés tartályát a fő egységre.
Helyezze a prés tartályát a főegységen levő szilárd tűskére, nyomja lefelé és óvatosan fordítsa el, amíg szilárdan ül a helyén.



3. Helyezze be a szűrőt a gyümölcsprés tartályába.

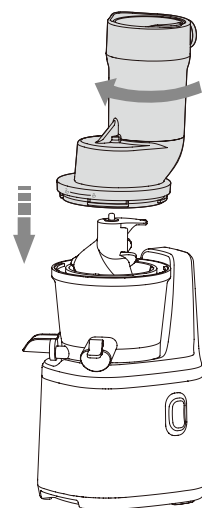


4. Helyezze a hajtótengelyt a szűrő közepébe és nyomja lefelé, ameddig lehet.



5. Szerelje fel a gyümölcsprés tartályának fedelét.

Hozza szintbe a gyümölcsprés tartályának fedelét az „A” jelzéssel a tartályon, fordítsa el a tartály fedelét az óramutató járásának irányában úgy, hogy a tartály fedele „fl” egy szintben legyen az „A” betűvel a gyümölcsprés tartályán.



6. Az ábra szerint helyezze be a légyűjtő és a gyümölcspép tartályt.



5. A FUNKCIÓK ISMERTETÉSE

Bekapcsolás (I) gomb: Gyümölcs facsarása és fagylalt készítése

Kikapcsolás (O) gomb: A készülék leállítása facsarás után

Hátramenet (R) gomb: A gyümölcs és zöldség felfelé emelése, elakadás eltávolítása; az elakadás problémája facsarás vagy fagylaltkészítés esetén szokott bekövetkezni; a készülék megváltoztatja a mozgás irányát, hogy meggátolja a túlterhelést sok vagy kemény nyersanyag esetén, és visszaállítja a gyümölcsle préselésének folyamatát.

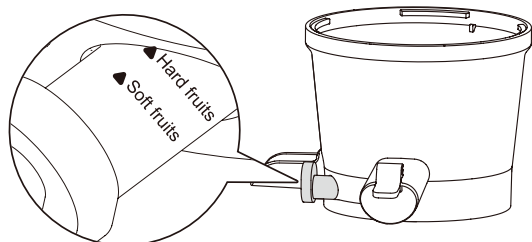
Az egyes gyümölcsök az alábbi szelepkeménységnek felelnek meg:

Soft fruits (lágy gyümölcs): narancs, dinnye, kék szőlő, ananász, uborka, paradicsom, fagylalt

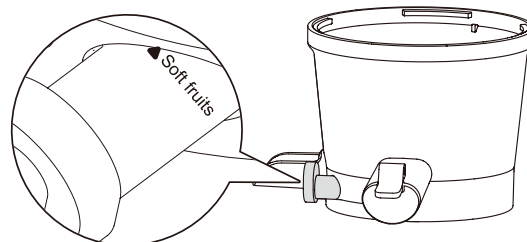
Hard fruits (kemény gyümölcs): rostokban gazdag gyümölcs: alma, körte, zeller, sárgarépa, gránátalma

Vigyázat

1. Ne nyomja meg a gombot vizes kézzel. A gyümölcs vagy zöldség behelyezése előtt nem szabad hosszabb ideig üresen működtetni a készüléket.
2. Gyümölcsfacsarás során nem szabad gyakran átállítani a váltószelepet.



Kemény gyümölcs



Lágy gyümölcs

6. HASZNÁLAT

Kemény gyümölcs

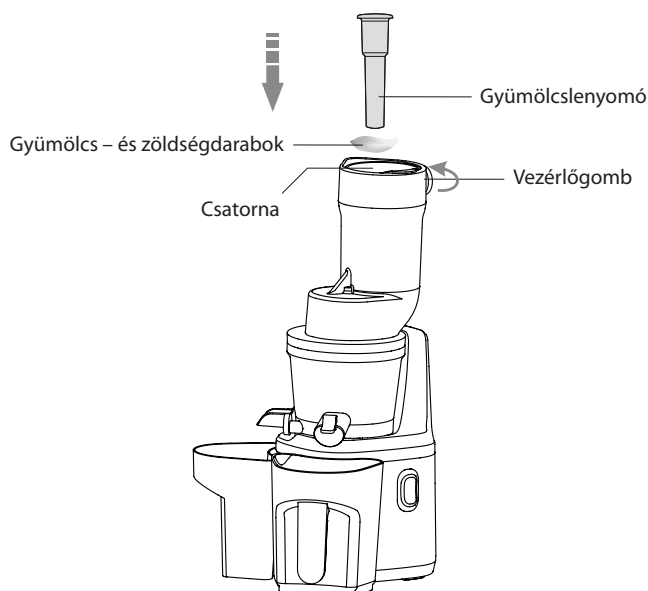
1. A megmosott, nagyobb gyümölcs – és zöldségdarabokat helyezze a töltőnyílásba, a vezérlőgomb elfordításával csúsztassa be a gyümölcsöt és zöldséget az adagolóba, a kisebb gyümölcs – és zöldségdarabokat helyezze a kis töltőnyílásba. Nyomja le a gyümölcslenyomóval a behelyezett darabokat.

Megjegyzés:

Használjon friss gyümölcsöt és zöldséget a facsaráshoz. A hűtőszekrényben tárolt gyümölcsöt és zöldséget a jobb eredmény miatt ajánlatos először 10 percen át vízben áztatni.

Vigyázat

- ① Ez a készülék nem alkalmas gabona, cukornád vagy más kemény termék zúzásához.
- ② A kemény és csonthéjas magvakat tartalmazó gyümölcsből facsarás előtt el kell távolítani a magvakat.
- ③ Zeller vagy más, kemény és rostos zöldség esetén fél kg nyersanyag facsarása után gondosan tisztítsa meg a készüléket.



2. Ha a készülék üzemeltetés közben hirtelen leáll, először állítsa a vezérlőgombot „Kikapcsolás (O)”, utána pedig „Hátramenet (R)” pozícióra, hogy a hajtótengelyen elakadt nyersanyag felfelé tolódjon, majd állítsa a gombot „Bekapcsolás (I)” pozícióra. (Ezt kb. háromszor kell megismételni).

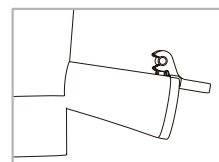
Vigyázat:

- ① Ha a készülék „Hátramenet (R)” üzemmódban van, tartsa óvatosan a kezével a gyümölcsprés tartályának fedelét (nehogy kilazuljon a tartály fedele).
- ② Ha a készülék a fenti beavatkozás ellenére sem működik, vegye le és gondosan tisztítsa meg a gyümölcsprés tartályát.

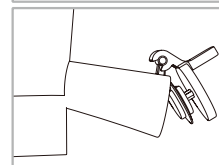
3. Facsarás közben a lé kifolyónyílásának kupakját zárva lehet hagyni. Bizonyos mennyiségű folyadék összegyűlése esetén nyissa ki a kupakot és vezesse a levet a légyűjtő tartályba.

Előnyök:

- ① A levegő hatásának csökkentése és az oxidációs folyamat lassítása.
- ② Vegyes gyümölcslé készítéséhez különböző fajtájú gyümölcsöt és zöldséget lehet használni.

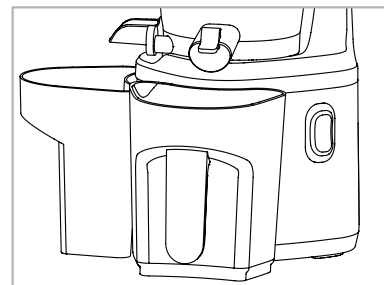


Zárt
kifolyónyílás



Nyitott
kifolyónyílás

4. A centrifugálás befejezése után állítsa a kapcsolót „Kikapcsolás (O)” pozícióra és válassza le a tápkábelt. Javaslat: Ne tárolja túl sokáig a kifacsart gyümölcslet.



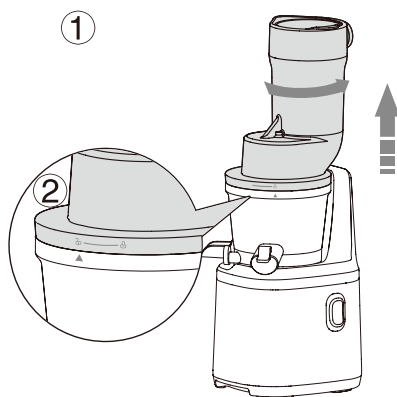
7. A KÉSZÜLÉK SZÉTSZERELÉSE

1. Kapcsolja ki a készüléket a gomb megnyomásával és válassza le a tápkábelt.

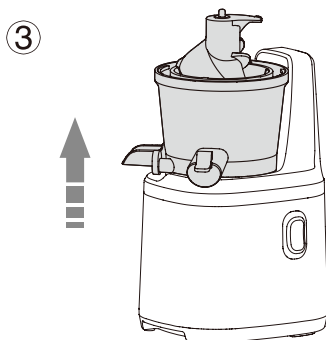
Javaslat:

A facsarás befejezése után állítsa a kapcsolót „Hátramenet (R)” pozícióra és tartsa a beállításon néhány másodpercig, így egyszerűbb lesz a szétszerelése és tisztítása.

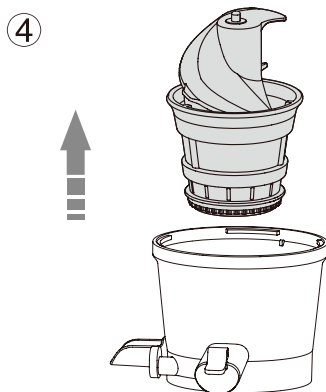
2. Fogja meg a gyümölcsprés tartályának burkolatát és fordítsa el az óramutató járásával szemben az 1 ábra szerint, állítsa a 2 ábrán látható helyzetbe, és felfelé húzva szerelje szét.



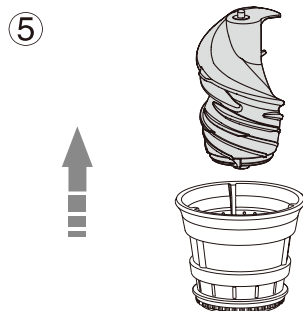
3. Fogja meg a lékifolyó csatornát a gyümölcsprés tartályán, emelje felfelé és szerelje le (3 ábra).



4. Vegye ki a hajtótengelyt és a szűrőszettet (lásd ④).



5. Emelje ki a hajtótengelyt a szűrőből (lásd ⑤ ábra).



8. FAGYLALTKÉSZÍTÉS

Tegye a gyümölcsöt, pl. banánt (meghámozva), duriánt (magok nélkül) és epret (megtisztítva) legalább 8 órára a fagyasztószekrénybe. Helyezze a gyümölcsprésbe a speciális fagyalatszűrőt. Készítés előtt hagyja kicsit kiolvadni a gyümölcsöt 15 percen át, kapcsolja be a készüléket és lassan helyezze be a gyümölcsöt a gyümölcsprésbe egy autentikus, gyümölcsízű fagyalt készítéséhez.

A munkafolyamat lépései

1. Helyezze a légyűjtő tartályt a pép-kivezetőhöz a fagyalt tárolásához;
2. Nyomja a keménységi szelepet „Soft fruits (lágy gyümölcs)” pozícióra;
3. Állítsa a kapcsolót „Forward (előre)” helyzetre;
4. A fagyalt a pép-kivezetőben fog összegyűlni.

Tippek

Gyümölcsfagyalt készítéséhez ízlés szerint fagyasztott tejet is lehet használni. A fagyasztott hozzávalókat részben ki kell olvasztani szobahőmérsékleten, amíg a felületük egy kicsit megpuhul (több, mint 20 perc kiolvasztás télen és legalább 20 perc kiolvasztás nyáron), és lassan kell a készülékbe adagolni az ízletes fagyalt készítéséhez.

Téli időszakban: Felolvasztás több, mint 20 percig; Nyáron: Felolvasztás több, mint 15 percig

A fagyasztott tételeket lassan kell a töltőnyílásba adagolni. A töltés időtartama több, mint 5 mp kell, hogy legyen.

Mangó – és banánfagyalt

- ① Vágja kis kockákra a mangót és a banánt, és fagyassza le a gyümölcsöt 8-12 órán át.
- ② Vegye ki a gyümölcsöt a fagyasztószekrényből és hagyja kicsit kiolvadni szobahőmérsékleten, hogy részben meglágyuljon;
- ③ Helyezze a gyümölcsprésbe a speciális fagyalatszűrőt, kapcsolja be a készüléket és adagolja a töltőnyílásba a fagyasztott mangó – és banándarabokat.
- ④ A fagyalt közvetlenül fogyasztható.

Megjegyzés: A banánfagyaltot minél hamarabb el kell fogyasztani.

Egzotikus gyümölcsfagyalt (ízlés szerint joghurttal vagy tejjel dúsítható)

- ① Hámozza meg az egzotikus gyümölcsöt (pl. pitaját), vágja kis kockákra és fagyassza le a gyümölcsöt 8-12 órán át.
- ② Vegye ki a gyümölcsöt a fagyasztószekrényből és hagyja kicsit kiolvadni szobahőmérsékleten, hogy részben meglágyuljon;
- ③ Helyezze a gyümölcsprésbe a speciális fagyalatszűrőt, kapcsolja be a készüléket és adagolja a töltőnyílásba a fagyasztott gyümölcsdarabokat.
- ④ Finoman nyomja le a gyümölcslenyomóval a gyümölcsdarabokat, helyezze a légyűjtő tartályt a pép-kivezetőhöz, és készen van az egzotikus gyümölcsfagyalt;
- ⑤ Tegyen tetszés szerinti kekszet egy zárható zacskóba, zárja el szorosan a nyílást, aprítsa fel a kekszet és tálalja a fagyaltnak.

Megjegyzés: Az egzotikus gyümölcsfagyaltot minél hamarabb el kell fogyasztani.

Barackfagylalt

- ① Mossa meg és hámozza meg a barackot, vágja kis kockákra és fagyassza le a gyümölcsöt 8-12 órán át.
- ② Hűtsön le friss tejet a hűtőszekrényben;
- ③ Vegye ki a gyümölcsöt a fagyasztószekrényből és hagyja kicsit kiolvadni szobahőmérsékleten, hogy részben meglágyuljon;
- ④ Helyezze a fagyasztott barackot a töltőnyílásba és tetszés szerint töltsön be friss tejet is;
- ⑤ Finoman nyomja le a gyümölcslenyomóval a gyümölcsdarabokat, helyezze a légyűjtő tartályt a pép-kivezetőhöz és készen van a gyümölcsfagylalt;
- ⑥ Egy finom lekvár hozzáadásával friss, tejes barackfagylaltot készíthet.

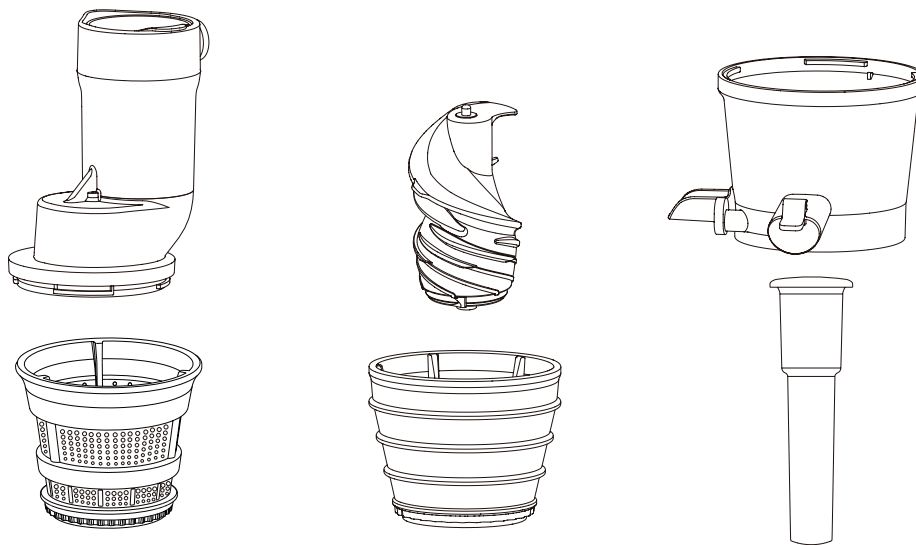
Megjegyzés: A barackfagylaltot minél hamarabb el kell fogyasztani.

9. ÁPOLÁS ÉS TISZTÍTÁS

Tisztítás

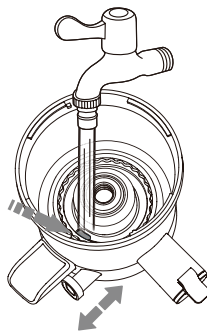
1. Minden leszerelt részt folyó víz alatt kell elmosni. Ha a szűrőháló eltömődik a maradékoktól, tisztítsa meg a szűrőt a tisztítókefével.

Megjegyzés: Ne tisztítsa drótkéfével vagy egy éles eszközzel.

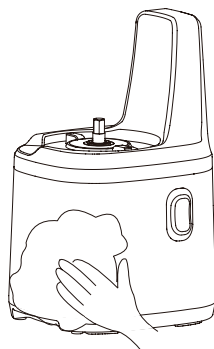


Speciális megjegyzés:

Tisztítás közben nyomja oda-vissza a keménységi szelepet, ez megkönnyíti a tisztítást.



2. A főegységet nem szabad vízbe meríteni, a tisztításhoz csak egy benedvesített, puha rongyot szabad használni.



3. Tisztítás után öblítse le a megtisztított részeket és tárolja ezeket egy tiszta és szellős helyen.

Megjegyzés:

- ① A kiszáradt gyümölcsprép megnehezíti a szétszerelést és a tisztítást, és a teljesítmény is csökkenhet. Ezért a készüléket időben és minden használat után meg kell tisztítani.
- ② A gyümölcsprép tartálya alatt található gumi tömítés leemelhető és tisztítható.
- ③ A gyümölcsprép egyetlen része sem tisztítható mosogatógépben.

Ápolás

1. Ezt a terméket gyakran kell használni, hogy a motor száraz maradjon.
2. Hosszabb tárolás esetén helyezze a terméket egy száraz és szellős helyre, nehogy a motor benedvesedjen, ami meggátolná a szabályos működést.

10. A TERMÉK MŰSZAKI PARAMÉTEREI

Terméknév	Csigás gyümölcsprép
Modell	PHJE 5030
Feszültség	220 - 240 V
Frekvencia	50/60 Hz
Teljesítmény	200 W
Térfogat	1,0 l

A CSOMAGOLÓANYAG SELEJTEZÉSÉRE VONATKOZÓ SZABÁLYOK ÉS TUDNIVALÓK

A csomagolóanyagokat nyilvános hulladék-értékesítő telepekre kell szállítani.

A HASZNÁLT ELEKTROMOS ÉS ELEKTRONIKUS KÉSZÜLÉKEK SELEJTEZÉSE



Ez az ikon azt jelenti, hogy a készülék az EU államaiban nem selejtezhető a háztartási hulladékkal együtt. A felelősségteljes hulladékselejtezés és a nyersanyagok újrahasznosítása megelőzi az esetleges negatív khatásokat a környezetre és az emberi egészségre. Szállítsa el a helyi gyűjtőtelepre a selejtezésre szánt régi készüléket, vagy lépjen kapcsolatba a termék viszonteladójával, aki egy új termék vásárlása esetén ugyancsak átveheti Öntől a készüléket, és gondoskodik majd a termék helyes és biztonságos selejtezéséről. Részletes információkkal a helyi hivatal vagy a hulladékgyűjtő telep is szolgálni tud. A nem megfelelő selejtezés büntetést vonhat maga után az állami előírások és szabványok értelmében.

Jogi személyek az EU területén

Az elektromos vagy elektronikus készülék selejtezése előtt forduljon segítségért az eladóhoz vagy forgalmazóhoz.

Selejtezés nem EU államokban

Az elektromos vagy elektronikus készülék selejtezése előtt forduljon segítségért a helyi hivatalhoz vagy a termék forgalmazójához.



Ez a termék megfelel az EU valamennyi vonatkozó irányelvének.

A gyártó fenntartja a szöveg, dizájn és műszaki adatok előzetes figyelmeztetés nélküli változtatásának jogát.

Manufacturer/Importer:
Fast ČR, a.s.
Praha 10, Černokostecká 2111
CZ-10000; CZECH REPUBLIC

PHILCO[®] 

**is a registered trademark used under license from
Electrolux Home Products., Inc.**