

**Owner's Manual  
Instrukcja obsługi  
Návod k použití  
Navodila za uporabo  
Használati útmutató  
Upute za upotrebu**

**Instrucțiune de deservire  
Инструкция за употреба  
Οδηγίες χρήσης  
Kasutusjuhend  
Naudojimo instrukcijos  
Užívateľská príručka**



***Enjoy it.***

CD Boombox



### Important Safety Instructions



**CAUTION**



RISK OF ELECTRIC SHOCK DO NOT OPEN

#### Caution:

To reduce the risk of electric shock, do not remove cover (or back). No user serviceable parts inside. Refer servicing to qualified service personnel.

#### Explanation of Graphical Symbols:



The lightning flash within an equilateral triangle is intended to alert you to the presence of uninsulated dangerous voltage within the product's enclosure that may be of sufficient magnitude to constitute an electric shock to a person or persons.



The exclamation point within an equilateral triangle is intended to alert you to the presence of important operating and maintenance (servicing) instructions in the literature accompanying the product.

To achieve the utmost in enjoyment and performance, and in order to become familiar with its features, please read this manual carefully before attempting to operate this product. This will assure you years of trouble free performance and listening pleasure.

#### Important Notes

- This safety and operating instruction should be retained for future reference.
- The apparatus should not be exposed to dripping or splashing or placed in a humid atmosphere such as a bathroom.
- Do not install the product in the following areas:
- Places exposed to direct sunlight or close to radiators.
- On top of other stereo equipment that radiate too much heat.
- Blocking ventilation or in a dusty area.
- Areas where there is constant vibration.
- Humid or moist places.
- Do not place near candles or other naked flames.
- Operate the product only as instructed in this manual.
- Before turning on the power for the first time, make sure the power adaptor is properly connected.
- Plug-in the USB stick directly or use a USB-extension cable which is not longer than 25 cm.

For safety reasons, do not remove any covers or attempt to gain access to the inside of the product. Refer any servicing to qualified personnel.

Do not attempt to remove any screws, or open the casing of the unit; there are no user serviceable parts inside. Refer all servicing to qualified service personnel.

#### SAFETY INSTRUCTIONS

1. Read Instructions - All the safety and operating instructions must be read before the product is operated.
2. Retain Instructions - The safety and operating instructions should be kept with the product for future reference.
3. Heed warnings - All warnings on the product and in the operating instructions should be adhered to.
4. Follow instructions - All operating and users' instructions should be followed.
5. Installation - Install in accordance with the manufacturer's instructions.
6. Power sources - This product should be operated only from the type of power source indicated by the marking adjacent to the power cord entry. If you are not sure of the type of power supply to your home, consult your product dealer or local power company.
7. Grounding or polarization - the product is not required to be grounded. Ensure that the plug is fully inserted into the wall outlet or extension cord receptacle to prevent blade or pin exposure. Some versions of the product are equipped with a power cord fitted with a polarized alternating line plug (a plug having one blade wider than the other). This plug will fit onto the power outlet only one way. This is a safety feature. If you are unable to insert the plug fully into the outlet, try reversing the plug. If the plug should still fail to fit, contact your electrician to replace your obsolete outlet. Do not defeat the safety purpose of the polarized plug. When using an extension power-supply cord or a power-supply cord other than that supplied with the appliance, it should be fitted with the appropriate molded plugs and carry safety approval appropriate to the country of use.
8. Power cord protection - Power-supply cords should be routed so that they are not likely to be walked on, kinked or pinched by items placed on or against them, paying particular attention to cords from plugs, receptacles and the point where they exit from the product.
9. Overloading - Do not overload wall outlets, extension cords, or multiple sockets, as this can result in a risk of fire or electric shock.
10. Ventilation - The product must be properly ventilated. Do not place the product on a bed, sofa, or other similar surface. Do not cover the product with any items such as tablecloths, newspapers, etc.
11. Heat - The product should be situated away from heat sources such as radiators, heat registers, stoves, or other products, including amplifiers that produce heat. No naked flame sources, such as lighted candles, should be placed on the apparatus.
12. Water and moisture - To reduce the risk of fire or electric shock, do not expose the product to rain, dripping, splashing or excessive moisture such as in a sauna or bathroom. Do not use this product near water, for example, near a bathtub, washbowl, kitchen sink, laundry tub, in a wet basement or near a swimming pool (or similar).

13. Object and Liquid Entry - Never push objects of any kind into this product through openings, as they may touch dangerous voltage points or short-circuit parts that could result in a fire or electric shock. Never spill liquid of any kind on the product. Do not place any object containing liquid on top of the product.
14. Cleaning - Unplug the product from the wall outlet before cleaning. Dust in the woofer may be cleaned with a dry cloth. If you wish to use an aerosol cleaning spray, do not spray directly on the cabinet; spray onto the cloth. Be careful not to damage the drive units.
15. Attachments - Do not use attachments not recommended by the product manufacturer, as they may cause hazards.
16. Accessories - Do not place this product on an unstable cart, stand, tripod, bracket or table. The product may fall, causing serious injury to a child or adult, and serious damage to the product. Use only with a cart, stand, tripod, bracket or table recommended by the manufacturer or sold with the product. Any mounting of the product should follow the manufacturer's instructions and should use a mounting accessory recommended by the manufacturer.
17. Moving the product - A product and cart combination should be moved with care. Quick stops, excessive force and uneven surfaces may cause the product and cart combination to overturn.
18. Unused periods - The power cord of the appliance should be unplugged from the outlet during lightning storms or when the apparatus is left unused for a long period of time.
19. Servicing - Do not attempt to service this product yourself, as opening or removing covers may expose you to dangerous voltage or other hazards. Refer all servicing to qualified service personnel.
20. Please remove the power plug from the main power source or wall power source when not in use. When plugged in to a power source, the system is in standby mode, so the power is not entirely cut off.
21. Replacement parts - When replacement parts are required, ensure that the service technician has used replacement parts specified by the manufacturer or have the same characteristics as the original part. Unauthorized substitutions may result in fire, electric shock or other hazards.
22. Mains fuses - For continued protection against fire hazard, use fuses only of the correct type and rating. The correct fuse specification for each voltage range is marked on the product.
23. Do not turn up the volume while listening to a section with very low level inputs or no audio signals. If you do, the speaker may be damaged when a peak level section is suddenly played.
24. The only means of completely disconnecting the product from the power supply is by removing the power cord from the wall outlet or the product. The wall outlet or the power cord entry to the product must remain freely accessible at all times while the product is in use.
25. Try to install the product near a wall socket or extension cord and shall be easily accessible.
26. The highest environmental temperature suitable for this product is 35°C.
27. ESD hints - If the product maybe reset or not reset to operation of control due to electrostatic discharge, just switch off and reconnect again, or move the product to another location.
28. Battery
  - a. The batteries must not be exposed to excessive heat such as sunshine, fire or the like.
  - b. The batteries should be drawn to the environmental aspects of battery disposal.
  - c. Battery usage CAUTION-to prevent battery leakage which may result in body injuries, property damage, or damage to the apparatus:
    - . Install all batteries correctly, + and – as marked on the apparatus.
    - . Do not mix batteries (old and new or carbon and alkaline, etc.)
    - . Remove batteries when the unit is not used for a long time.

#### **ERP2 (Energy Related Products) note**

This product with ecodesign complies with the stage 2 requirements of Commission Regulation (EC) NO. 1275/2008 implementing Directive 2009/125/EC regard to standby and off mode electric power consumption of electronic household and office equipment. After 15 minutes without any audio input, the device will automatically switch into standby mode. Follow up the instruction manual to resume the operation.

#### **Important note:**

This device is equipped with an energy saving mode: if no signal is given during 15 minutes the device will switch automatically into standby mode in order to save energy (ERP 2 standard). Please note that low volume setting in the audio source may be recognized as "no audio signal": this will affect the capability of signal detection from the device and can also originate an automatic switch into standby mode. If this happens please reactivate the audio signal transmission or increase the volume setting on the audio source player (MP3 player, etc.), in order to resume playback. Please contact the local service center if the problem remains.

#### **WARNING**

This appliance is not intended for use by persons (including children) with reduced physical sensory or mental capabilities, or lack of experience and knowledge, unless they have been given supervision or instruction concerning use of the appliance by a person responsible for their safety. Children should be supervised to ensure that they do not play with the appliance.

1. Never use the device unsupervised! Switch off the device whenever you are not using it, even if this only for a short while.
2. The appliance is not intended to be operated by means of an external timer or separate remote control system.
3. If the supply cord is damaged, it must be replaced by the manufacturer, its service agent or similarly qualified persons in order to avoid a hazard.
4. Before operating this system, check the voltage of this system to see if it is identical to the voltage of your local power supply.



5. The unit should not be impeded by covering the ventilation opening with items such as newspaper, table-cloths, curtains etc. Make sure that there are at least 20 cm of space above and at least 5 cm of space on each side of the unit.
6. The apparatus must not be exposed to dripping or splashing and that objects filled with liquids, such as vases, must not be placed on the apparatus.
7. To prevent fire or shock hazard, do not expose this equipment to hot places, rain, moisture or dust.
8. Do not locate this unit near any water sources e.g. taps, bathtubs, washing machines or swimming pools. Ensure that you place the unit on a dry, stable surface.
9. Do not place this unit close to a strong magnetic field.
10. Do not place the unit on an amplifier or receiver.
11. Do not place this unit in a damp area as the moisture will affect the life of electric components.
12. If the system is brought directly from a cold to a warm location, or is placed in a very damp room, moisture may condense on the lens inside the player. If this occurs, the system will not operate properly. Please leave the system turned on for about an hour until the moisture evaporates.
13. Do not attempt to clean the unit with chemical solvents as this might damage the finish. Wipe with a clean, dry or slightly damp cloth.
14. When removing the power plug from the wall outlet, always pull directly on the plug, never pull on the cord.
15. Depending on the electromagnetic waves used by a television broadcast, if a TV is turned on near this unit while it is also on, lines might appear on the TV screen. Neither this unit nor the TV is malfunctioning. If you see such lines, keep this unit well away from the TV set.
16. The mains plug is used as the disconnect device, the disconnect device must remain readily operable.
17. To keep the laser pickup clean, do not touch it, and always close the disc tray.
18. During playback, the disc rotates at high speed. DO NOT lift or move the unit during playback, doing so may damage the disc or the unit.
19. When changing places of installation or packing the unit for moving, be sure to remove the disc and return the disc tray to its closed position in the player. Then, press switch to turn the power off and disconnect the power cord. Moving this unit with the disc loaded may result in damage to this unit.
20. Put discs back in their case after playing them. Never expose discs to direct sunlight or heat sources. Never leave discs inside a car parked in full sunlight.
21. Do not touch the playback side of disks. Hold discs by the edges to avoid leaving fingerprints on the surface. Any dust, fingerprints or scratches may cause a malfunction. Never attach a label or sticky tape to the disc.
22. Use a clean soft lint-free cloth to clean the disc, working from the center outwards in a straight line, thinners, commercially available cleaners or anti static sprays for vinyl discs.
23. To prevent possible hearing damage, do not listen at high volume levels for long periods.



#### WARNING: DANGER OF RADIATION

CLASS 1 LASER PRODUCT  
LUOKAN 1 LASERLAITE  
KLASS 1 LASERAPPARAT

This label means that this unit contains a laser component. Opening the CD compartment lid and defeating the safety interlocks will expose the user to radiation from the laser beam. Do not stare into the laser while it is operating.

#### BEFORE OPERATION

Notes: Concerning compact discs.



Since dirty, damaged or warped discs may damage the appliance, care should be taken of the followings items:

- a. Usable compact discs. Use only compact disc with the mark shown below.
- b. CD compact disc only with digital audio signals.

#### NOTICE



Conformity

Hereby, Blaupunkt Competence Center 2N-Everpol Sp. z o.o., declares that this equipment is in compliance with the essential requirement and other relevant provisions of Directive 2014/53/EU. Declaration of conformity can be obtained from the product page at [www.blaupunkt.com](http://www.blaupunkt.com).

Responsible party: 2N-Everpol Sp. z o.o., Puławska 403A, 02-801 Warsaw, Poland, Phone: +48 22 331 99 59, E-mail: [info@everpol.pl](mailto:info@everpol.pl)



Your products is designed a manufactured with high quality materials and components, which can be recycled and reused.



When this crossed-out wheeled bin symbol is attached to a product it means that the product is covered by the European Directive 2012/19/EU. Please inform yourself about the local separate collection system for electrical and electronic products. Please act according to your local rules and do not dispose of your old products with your normal household waste. Correct disposal of your old product helps to prevent potential negative consequences for the environment and human health.

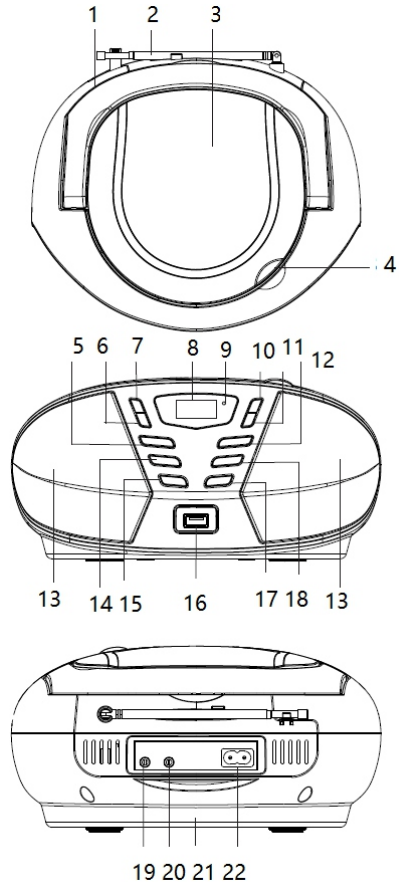


Your product contains batteries covered by the European Directive 2006/66/EC, which cannot be disposed with normal household waste. Please inform yourself about the local rules on separate collection of batteries because correct disposal helps to prevent negative consequences for the environmental and human health.  
Environmental information

All unnecessary packaging has been omitted. We have tried to make the packaging easy to separate into three materials: cardboard (box), polystyrene foam (buffer) and poly ethylene (bags, protective foam sheet). Your system consists of material which can be recycled and reused if disassembled by a specialized company. Please observe the local regulations regarding the disposal of packaging materials, exhausted batteries and old equipment.  
Recording and playback of material might require consent. See Copyright Act 1956 and The Performer's Protection Acts 1958 to 1972.

## OVERVIEW OF THE PLAYER

1. FOLDING HANDLE
2. FM TELESCOPIC ANTENNA
3. CD DOOR
4. CD DOOR OPEN AREA
5. PROG/MEM/MODE BUTTON
6. SKIP/SEARCH DOWN BUTTON
7. SKIP/SEARCH UP BUTTON
8. STANDBY INDICATOR
9. LCD DISPLAY
10. PLAY/PAUSE/CH+ BUTTON
11. STOP/CH- BUTTON
12. FOLDER/10+ BUTTON
13. SPEAKERS
14. VOL - BUTTON
15. SOURCE BUTTON
16. USB PORT
17. ON/STANDBY BUTTON
18. VOL + BUTTON
19. BATTERY COMPARTMENT
20. AC IN OUTLET
21. PHONE JACK
22. AUX IN JACK



## POWER SUPPLY

### Battery Operation

1. Remove the battery compartment cover gently.
2. Install 6 x 'C' size batteries (UM-2 or equivalent) while observing the correct polarities.
3. Replace the battery compartment cover.

### NOTE:

- Leaking batteries may damage the battery cabinet and the player as a whole, so they should be removed from the cabinet when becoming flat or when the player is not to be played on batteries for some time.

### AC Input Operation

Plug the tail of AC power cord into AC IN outlet on unit and another terminal plug into AC wall outlet. The batteries will be automatically disconnected.

**NOTE:** If not any audio signal inputs to the unit in about one hour, the unit will enter to standby mode automatically (except at FM radio mode).

## FM RADIO

### Tuning The FM Radio

1. The standby indicator will light once connect the main unit to the main power. Press the ON/STANDBY button to turn the unit on (the standby indicator will be off).
2. Press the SOURCE button repeatedly to switch the unit to the FM radio mode.
3. To launch the auto-searching, press and hold the SKIP/SEARCH DOWN button or SKIP/SEARCH UP button several seconds and then release it.
4. Press the SKIP/SEARCH DOWN button or SKIP/SEARCH UP button to tune the radio stations manually.
5. Adjust the volume level to a comfortable listening level via pressing the VOL+/- buttons.
6. Press the ON/STANDBY button to turn off the unit.

### NOTE:

The FM TELESCOPIC ANTENNA is directional. When you are receiving an FM broadcast, fully extend the TELESCOPIC ANTENNA and rotate it for the best reception.

### Storing Your Favorite Radio Station

1. Tune to your favorite station first; press the PROG/MEM/MODE button for storing the current station until memory cell number flashes on the screen.
2. Use the STOP/CH- button or the PLAY/PAUSE/CH+ button to select the corresponding memory cell.
3. Confirm your selection by pressing the PROG/MEM/MODE button.
4. During radio playback, press the STOP/CH- button or the PLAY/PAUSE/CH+ button repeatedly to recall the preset stations.
5. Press and hold the play/pause buttons 3 seconds, the unit will auto tune and save the FM radio station automatically. (max supported preset station: 40)

## OPERATION

### Load a Disc

1. Open the CD door by the Door open area.
2. Load a disc on the disc tray with the label side facing up.
3. Close the CD door.

### Play a Disc (CD/MP3)

1. Press the ON/STANDBY button to turn the unit on (the standby indicator will be off).
2. Press the SOURCE button repeatedly to switch to CD mode.
3. Follow the steps above to load a disc.
4. The player begins reading disc immediately.
5. When the disc is successfully read, the playback will start from the first track automatically.
6. Press the PLAY/PAUSE/CH+ button once to halt music playback, press the button again to resume the normal playback; press the STOP/CH- button to cease music playback.

### External Memory Media Operation (USB)

1. Press the ON/STANDBY button to turn the unit on (the standby indicator will be off).
2. Insert an USB to the USB port.
3. Press the SOURCE button repeatedly to switch to USB mode.
4. When the inserted USB is detected and read, the first track will be played automatically.
5. Press the PLAY/PAUSE/CH+ button to pause or resume the playback.
6. Press the STOP/CH- button to cease the playback.

### Skip Tracks and Search for a Specific Point to Play (CD/MP3/USB)

1. Press once the SKIP/SEARCH UP button in music play to skip to the next track .  
press once the SKIP/SEARCH DOWN button in music play skip to the previous track.
2. Press and hold the SKIP/SEARCH UP button or the SKIP/SEARCH DOWN button in music play to search at quick rate for a specific point to play.
3. Press the FOLDER/10+ button once in play to skip to the track 10 tracks ahead, twice to skip to the track 20 tracks ahead. You can reach the last track of the disc using this button.

**Skip to the Previous/Next Folder (MP3/USB)**

1. During playback, press and hold the FOLDER/10+ button until the folder number flashes on the screen.
2. Press the SKIP/SEARCH DOWN button or SKIP/SEARCH UP button to select the folder you want.
3. Once the selected folder number shows on the screen, press the FOLDER/10+ button to confirm.

**Repeat Playback (CD/MP3/USB)**

During playback, press the PROG/MEM/MODE button to repeat play a single track; press the button twice to repeat play all tracks; press the button three times to enter the introduction play mode; press the button four times to enter the random play mode; press the button five times to exit.

**Programmed Play (CD/MP3 DISC/USB)**

1. At stop mode, press the PROG/MEM/MODE button once, the program's icon shows with a program sequence indication "P01" first, then a track number flickers on the LCD with the program's icon.
2. Select the first track to be programmed using the SKIP/SEARCH UP button or the SKIP/SEARCH DOWN button, and then press the PROG/MEM/MODE button again to store and advance to the next programming step (If there are several folders on the MP3 disc or USB, it is necessary to program folders first and then the tracks. The method of the folders programming is the same as the tracks programming.).
3. Repeat the above steps to program more tracks. A maximum of 20 tracks for CD and 99 tracks for MP3 disc/USB can be programmed in memory in a preferred order. If the memory is full, the screen will show "FUL" for indicating.
4. Press the PLAY/PAUSE/CH+ button to begin programmed play in the preferred order after you are done with programming. The player stops automatically after all programmed tracks are played.
5. You may press the STOP/CH- button to terminate programmed playback. In program stop mode, press the PLAY/PAUSE/CH+ button to begin the programmed playback with the programming order identical with the previous one done; press the STOP/CH- button again to clear the programming.

**AUX IN**

1. Connect the Aux in jack on the unit to an audio source, for example, MP3 player with an audio cable.
2. Power on the unit following the corresponding instructions.
3. Press the SOURCE button repeatedly to switch to AUX mode.
4. Use the native controls on the connected audio device to begin playing music through the connected unit.

**STEREO PHONE JACK**

A stereo phone jack has been provided on the back side of the player so that you can listen without disturbing others. To use this jack, plug in the headphones/earphones (NOT INCLUDED) and adjust the volume level to a preferred level.

**NOTE:** When external headphones/earphones are connected, the speakers will be muted.

**CAUTION:** Listening at high power for a long moment could damage users' ears.

**SPECIFICATIONS**

**Output power:** 1.2 Watt x 2 @10%THD

**PLL FM radio:** 87.5~108 MHz

**USB:** USB 2.0 version

**Standby power consumption:** <0.5 Watt

**Power source:** AC IN, 230V~50/60Hz

**Battery power supply:** UM2 x 6 ( Not include).

**Ważne instrukcje dotyczące bezpieczeństwa**

**PRZESTROGA**

**ZAGROŻENIE PORAZIENIEM ELEKTRYCZNYM  
NIE OTWIERAĆ**
**Przeostroga:**

Aby zmniejszyć ryzyko porażenia prądem, nie wolno demontować pokrywy ani tylnej części urządzenia. Wewnątrz urządzenia nie znajdują się elementy przeznaczone do samodzielnej naprawy przez użytkownika. Konserwacją i naprawą sprzętu zajmują się wyłącznie wykwalifikowani pracownicy serwisu.

**Objaśnienie symboli graficznych:**


Symbol błyskawicy zakończonej strzałką umieszczonej w trójkącie równobocznym ostrzega użytkownika przed nieizolowanym „niebezpiecznym napięciem” w obrębie obudowy urządzenia, które może osiągnąć wielkość grożącą porażeniem prądem elektrycznym.



Znak wykrzyknika w trójkącie równobocznym ostrzega użytkownika, że w tym momencie przedstawione są ważne informacje dotyczące obsługi i konserwacji sprzętu w dokumentacji, dołączonej do urządzenia.

Prosimy o przeczytanie tej instrukcji przed przystąpieniem do obsługi urządzenia, aby zapoznać się z jego funkcjami i wykorzystać je zgodnie z przeznaczeniem. Zapewni to długotrwałą, bezawaryjną obsługę urządzenia i przyjemność z użytkowania.

**Ważne informacje**

- Należy zachować instrukcję obsługi oraz informacje dotyczące bezpieczeństwa w celu wykorzystania ich w przyszłości.
- Nie należy dopuszczać do tego, aby na urządzenie kapala lub wylewała się ciecz. Nie wolno też używać go w wilgotnych miejscach, jak np. łazienka.
- Nie wolno instalować tego urządzenia w następujących miejscach:
  - Wystawionych na bezpośrednie działanie promieni słonecznych lub w pobliżu grzejników.
  - Kładź go na wierzchu innego sprzętu stereofonicznego który wydziela ciepło.
  - Blokując wentylację lub w zapyłonym miejscu.
  - W miejscach narażonych na ciągłe drgania.
  - W miejscach o wysokiej wilgotności.
- Nie wolno stawiać urządzenia w pobliżu świecek lub otwartego ognia.
- Urządzenia można używać wyłącznie w sposób opisany w niniejszej instrukcji.
- Przed pierwszym włączeniem zasilania należy upewnić się, że zasilacz został prawidłowo podłączony.
- Pamięć USB podłącza się bezpośrednio lub przy użyciu przedłużacza USB o długości do 25 cm

Ze względów bezpieczeństwa nie należy demontować obudów ani uzyskiwać dostępu do wnętrza urządzenia. Urządzenie powinno być naprawiane przez wykwalifikowany personel serwisu.

Nie wolno rozkręcać urządzenia ani otwierać jego obudowy, gdyż wewnątrz nie ma żadnych części, które mogłyby być naprawiane przez użytkownika. Konserwacją i naprawą sprzętu zajmują się wyłącznie wykwalifikowani pracownicy serwisu.

**INSTRUKCJE DOTYCZĄCE BEZPIECZEŃSTWA**

1. Przeczytać instrukcję — przed korzystaniem z urządzenia należy przeczytać całość instrukcji obsługi oraz informacje o bezpieczeństwie.
2. Zachować instrukcje — należy zachować instrukcje użytkowania i obsługi w celu wykorzystania ich w przyszłości.
3. Przestrzegać ostrzeżeń — należy postępować zgodnie z wszystkimi ostrzeżeniami zamieszczonymi na urządzeniu oraz zgodnie z instrukcją obsługi.
4. Przestrzegać instrukcji — należy postępować zgodnie z instrukcją obsługi oraz wskazówkami dla użytkownika.
5. Instalacja — należy ustawić urządzenie zgodnie z instrukcjami producenta.
6. Źródła zasilania – urządzenie powinno być zasilane wyłącznie ze źródeł o parametrach podanych na oznaczeniach na kablu zasilania. Jeżeli użytkownik nie jest pewien, jakiego rodzaju zasilaniem dysponuje w domu, powinien skontaktować się ze sprzedawcą urządzenia lub lokalnym dostawcą energii elektrycznej.
7. Uziemienie lub polaryzacja zasilania — urządzenie nie musi być uziemione. Należy upewnić się, że wtyczka jest do końca włożona do gniazdka sieciowego lub przedłużacza, aby nie dopuścić do odślonienia bolców lub styków. Niektóre wersje urządzenia mogą być wyposażone w spolaryzowaną wtyczkę prądu przemiennego (z jednym bolcem szerszym). Tę wtyczkę można włożyć do gniazdka sieciowego tylko w jeden sposób. Jest to funkcja zabezpieczająca. Jeśli nie można włożyć wtyczki do gniazdka, należy spróbować ją odwrócić. Jeśli wtyczka nadal nie pasuje do gniazdka, należy zlecić elektrykowi jego wymianę. Nie wolno zdejmować z zabezpieczeń z wtyczki spolaryzowanej. Gdy korzysta się z przedłużacza lub kabla zasilania innego niż dostarczony razem z urządzeniem, powinny mieć właściwe wtyczki oraz atest bezpieczeństwa wymagany w danym kraju.
8. Zabezpieczenie kabla zasilania — kable zasilania należy poprowadzić w taki sposób, aby nie można było po nich chodzić, przyciskając lub przyciągając postawionymi przedmiotami. Zwrócić szczególną uwagę na wtyczki, gniazdka sieciowe i miejsca, w którym kable są wyprowadzone z urządzenia.
9. Przeciążenie — nie wolno przeciążać gniazdek ściennych, przedłużaczy i rozdzielaczy elektrycznych, ponieważ grozi to wybuchem pożaru lub porażeniem prądem elektrycznym.
10. Wentylacja — urządzenie musi być poprawnie wentylowane. Nie wolno ustawiać urządzenia na łóżku, sofie lub podobnych powierzchniach. Nie wolno przykrywać urządzenia obrusami, serwetkami, gazetami itd.

11. Ciepło — nie ustawiać urządzenia w pobliżu źródeł ciepła, takich jak grzejniki, promienniki, piece lub innych urządzeń (również wzmacniacze) wytwarzających ciepło. Nie stawiać na urządzeniu zapalonych świeci i innych źródeł otwartego ognia.
12. Woda i wilgoć — aby zmniejszyć zagrożenie pożarem lub porażeniem elektrycznym, nie wolno narażać urządzenia na bezpośrednie działanie deszczu, wody i wilgoci, jak np. w saunie czy w łazience. Nie używać niniejszego urządzenia w pobliżu wody, na przykład obok wanny, umywalki, zlewu kuchennego lub balii, w wilgotnej piwnicy lub w pobliżu basenu (lub w podobnych miejscach).
13. Przedmioty i ciecz w urządzeniu — nie należy wciskać jakichkolwiek przedmiotów przez otwory urządzenia, ponieważ mogą one zetknąć się z punktami niebezpiecznego napięcia i podnieść pożar lub porażenie prądem. Pod żadnym pozorem nie należy rozlewać jakichkolwiek cieczy na powierzchni urządzenia. Nie wolno kłaść na wierzchu urządzenia przedmiotów zawierających ciecz.
14. Czyszczenie — należy zawsze odłączyć urządzenie od gniazdka sieciowego przed czyszczeniem. Kurz dookoła głośnika można usunąć suchą szmatką. Jeśli do czyszczenia ma być użyty aerosol, nie należy kierować rozpylanego strumienia bezpośrednio na urządzenie, ale na szmatkę. Należy uważać, aby nie uszkodzić jednostek napędowych.
15. Wyposażenie dodatkowe — nie wolno używać akcesoriów, które nie są dopuszczone przez producenta, gdyż mogą stwarzać zagrożenie.
16. Akcesoria — nie wolno ustawiać urządzenia na niestabilnym wózku, stojaku, statywie, wsporniku czy stole. Urządzenie może ulec przewróceniu i uszkodzeniu oraz spowodować poważne obrażenia u dziecka lub osoby dorosłej. Należy używać wyłącznie wózków, stojaków, statywów, wsporników i stołów określonych przez producenta albo sprzedawanych wraz z urządzeniem. Montaż urządzenia należy przeprowadzać zgodnie z instrukcjami producenta, przy użyciu zestawu montażowego zalecanego przez producenta.
17. Przenoszenie urządzenia — urządzenie umieszczone na wózku należy przesuwać bardzo ostrożnie. Gwałtowne zatrzymanie, zbyt duża siła lub nierówne powierzchnie mogą spowodować przewrócenie wózka wraz z urządzeniem.
18. Okres nieużywania urządzenia — kabel zasilania urządzenia należy odłączyć od gniazdka sieciowego w trakcie burz z wyładowaniami atmosferycznymi lub gdy urządzenie nie będzie używane przez dłuższy czas.
19. Serwisowanie — nie należy próbować własnoręcznie przeglądać urządzenia. Otwieranie pokrywy może spowodować kontakt z niebezpiecznym napięciem i narazić użytkownika na inne niebezpieczeństwa. Konserwacją i naprawą sprzętu zajmują się wyłącznie wykwalifikowani pracownicy serwisu.
20. Gdy urządzenie nie jest używane, należy odłączyć jego wtyczkę zasilania od gniazdka sieciowego. Gdy urządzenie jest podłączone do źródła zasilania, znajduje się w trybie czuwania i nie jest całkowicie wyłączone.
21. Części zamienne — przy wymianie części należy sprawdzić, czy pracownik serwisu użył części zamiennych zalecanych przez producenta lub też czy części są identyczne jak część oryginalna. Dokonywanie wymiany na niezatwierdzone części grozi wybuchem pożaru, porażeniem prądem elektrycznym lub innymi niebezpieczeństwami.
22. Główne bezpieczniki — aby zabezpieczyć w sposób ciągły urządzenie przed pożarem, należy używać bezpieczników właściwego typu i parametrów. Parametry bezpieczników w danym zakresie napięcia są zaznaczone na urządzeniu.
23. Nie wolno zwiększać głośności przy słuchaniu części utworu o małej głośności lub przy braku wejściowego sygnału audio. W innym wypadku może dojść do uszkodzenia głośnika przy gwałtownym wzroście natężenia sygnału.
24. Jedynym sposobem całkowitego odłączenia urządzenia od źródła zasilania jest odłączenie kabla zasilania z gniazdka zasilania lub z urządzenia. Gniazdko sieciowe lub wejście kabla zasilania do urządzenia muszą być zawsze dostępne w trakcie używania produktu.
25. Urządzenie powinno się ustawić w pobliżu gniazdka sieciowego lub przedłużacza i w taki sposób, aby zawsze było dostępne.
26. Maksymalna temperatura otoczenia urządzenia wynosi 35°C.
27. Wskazówki dotyczące wyładowań elektrostatycznych — jeśli działanie urządzenia jest zakłócone wyładowaniami elektrostatycznymi, należy go wyłączyć i ponownie włączyć lub przenieść urządzenie w inne miejsce.
28. Bateria
  - a. Bateria nie mogą być narażone na działanie nadmiernego ciepła, jak np. promieni słonecznych, ognia itp.
  - b. Podczas utylizacji baterii należy zwrócić uwagę na aspekty ochrony środowiska.
  - c. Przestroga dotycząca używania baterii: aby nie dopuścić do rozszczelnienia baterii, które może spowodować obrażenia ciała bądź uszkodzenie urządzenia:
    - Podczas wkładania baterii zwrócić uwagę na jej polaryzację (+ i -).
    - Nie wolno jednocześnie używać różnych baterii — starych i nowych baterii standardowych i alkalicznych itd.
    - Należy wyjąć baterie z urządzenia, gdy nie będą one używane przez dłuższy czas.

#### Uwaga dotycząca ERP2 (urządzeń związanych z energią)

Niniejsze urządzenie z ekoprojektem spełnia wymagania etapu 2 Rozporządzenia Komisji (WE) nr 1275/2008 wprowadzającego dyrektywę 2009/125/WE dotyczącą poboru energii przez wyłączone i znajdujące się w trybie czuwania urządzenia elektroniczne do zastosowań biurowych i domowych.

Po upływie 15 minut bez wejściowego sygnału audio urządzenie automatycznie przejdzie w tryb czuwania. Informacje na temat przywrócenia normalnego działania można znaleźć w instrukcji obsługi.

### Ważne informacje:

Niniejsze urządzenie jest wyposażone w funkcję trybu oszczędzania energii: jeśli w ciągu 15 minut nie jest podawany do niego żaden sygnał wejściowy, urządzenie automatycznie przejdzie w tryb czuwania w celu oszczędzania energii (norma ERP 2). Należy zauważyć, że ustawienie niskiego poziomu głośności w źródle sygnału audio może zostać rozpoznane jako stan „braku sygnału audio”: może to mieć wpływ na zdolność wykrywania sygnału z urządzenia oraz spowodować automatycznie przejście w tryb czuwania. W takim wypadku należy przywrócić transmisję sygnału audio lub zwiększyć poziom głośności w źródle sygnału audio (odtwarzaczu MP3 itp.) w celu wznowienia odtwarzania. Jeśli problem nie ustąpi, prosimy o kontakt z lokalnym serwisem.

### OSTRZEŻENIE

Urządzenie nie powinno być używane przez osoby (w tym dzieci) o obniżonej sprawności fizycznej, sensorycznej lub umysłowej oraz osoby z niewystarczającą wiedzą i doświadczeniem, jeśli nie znajdują się one pod nadzorem osoby odpowiedzialnej za ich bezpieczeństwo i nie zostały poinstruowane jak bezpiecznie używać urządzenia. Obecność osób dorosłych jest wymagana, jeśli urządzenie obsługują dzieci; pozwoli to zapewnić bezpieczne korzystanie z urządzenia.

1. Nie wolno pozostawić pracującego urządzenia bez nadzoru! Należy wyłączać urządzenie, gdy nie jest ono używane, nawet przez krótką chwilę.
2. Urządzenia nie wolno obsługiwać za pośrednictwem zewnętrznego zegara z układem czasowym ani za pomocą oddzielnego układu ze zdalnym sterowaniem.
3. Aby uniknąć zagrożenia w przypadku uszkodzenia przewodu zasilania, wymianę powinien wykonać producent, autoryzowany punkt serwisowy lub inna osoba posiadająca odpowiednie kwalifikacje.
4. Przed przystąpieniem do obsługi urządzenia należy sprawdzić, czy jego napięcie odpowiada napięciu występującemu w lokalnej sieci zasilającej.
5. Nie wolno zakrywać otworów wentylacyjnych urządzenia np. gazetami, obrusem, zasłonami itp. Należy upewnić się, że nad urządzeniem jest co najmniej 20 cm wolnego miejsca, a z każdej jego strony — co najmniej 5 cm.
6. Nie należy dopuszczać do tego, aby na urządzenie kapąła lub wylewała się ciecz, ani nie należy stawiać na nim przedmiotów wypełnionych cieczami, takich jak wazony.
7. Aby uniknąć pożaru lub porażenia prądem elektrycznym, należy chronić urządzenie przed gorącymi miejscami, działaniami deszczu, wilgoci i pyłu.
8. Nie wolno ustawiać urządzenia w pobliżu jakichkolwiek źródeł wody, np. kranów, wanien, pralek lub basenów pływackich. Urządzenie należy ustawić na równym i stabilnym podłożu.
9. Nie wolno narażać urządzenia na silne pole magnetyczne.
10. Nie wolno stawiać urządzenia bezpośrednio na wzmacniaczu lub amplitunerze.
11. Nie wolno stawiać urządzenia w wilgotnym miejscu, gdyż wilgoć ma szkodliwy wpływ na podzespoły elektryczne.
12. Po wniesieniu urządzenia z zimnego do ciepłego miejsca lub do wilgotnego miejsca może dojść do kondensacji wilgoci na soczewce wewnątrz odtwarzacza. W takiej sytuacji urządzenie nie będzie działać prawidłowo. Należy pozostawić włączone urządzenie na około jedną godzinę, aby umożliwić odparowanie wilgoci.
13. Nie wolno czyścić urządzenia rozpuszczalnikami chemicznymi, gdyż mogą one zniszczyć lakier obudowy. Urządzenie wyciera się czystą, suchą lub nieznacznie zwilżoną ściereczką.
14. Podczas wyciągania wtyczki z gniazdka ściennego należy zawsze ciągnąć za wtyczkę, nigdy za kabel zasilania.
15. Gdy włączone urządzenie jest używane w pobliżu włączonego telewizora, może to być źródłem zakłóceń obrazu w postaci linii na ekranie. Należy to od pasma fal transmisji TV. Nie oznacza to nieprawidłowego działania urządzenia ani telewizora. Jeśli są widoczne takie linie, należy odsunąć urządzenie od telewizora.
16. Wtyczka sieciowa jest używana do odłączania napięcia zasilającego i powinna być zawsze dostępna.
17. Aby zachować głowicę laserową do odczytu płyt CD w czystości, nie wolno jej dotykać i zawsze zamykać kieszeń na płycie.
18. W trakcie odtwarzania płyta obraca się z dużą prędkością. NIE WOLNO podnosić ani przesuwac urządzenia podczas odtwarzania, gdyż może to być przyczyną uszkodzenia płyty lub samego urządzenia.
19. Przed przeniesieniem urządzenia w inne miejsce lub na czas przeprowadzki należy wyjąć płytę i zamknąć kieszeń na płycie. Następnie należy wyłączyć zasilanie i odłączyć kabel zasilania. Przenoszenie urządzenia z płytą w kieszeni może być przyczyną jego uszkodzenia.
20. Po odtworzeniu płyty należy umieścić w opakowaniu. Nie wolno wystawiać płyt na bezpośrednie działanie promieni słonecznych i źródła ciepła. Nie wolno zostawiać płyt wewnątrz samochodu zaparkowanego w pełnym słońcu.
21. Nie wolno dotykać strony płyt bez etykiety. Trzymać płyty za krawędź, aby nie pozostawić odcisków palców. Pył, odciski palców lub zadrapania płyt mogą być przyczyną niepoprawnego działania odtwarzacza. Nie wolno naklejać karteczek lub taśmy samoprzylepnej na płytę.
22. Do czyszczenia płyty używa się czystej, niepozostawiającej kłaczków ściereczki. Zaczyna się czyszczenie ruchem prostoliniowym od środka płyty do jej krawędzi, używając do tego celu powszechnie dostępnych środków czyszczących lub środków antystatycznych do płyt winylowych.
23. Aby nie dopuścić do ewentualnej utraty słuchu, nie wolno słuchać głośno muzyki przez dłuższy czas.





**OSTRZEŻENIE: ŹRÓDŁO PROMIENIOWANIA**

CLASS 1 LASER PRODUCT  
LUOKAN 1 LASERLAITE  
KLASS 1 LASERAPPARAT

Ta etykieta oznacza, że wewnątrz urządzenia znajdują się podzespoły laserowe. Otwarcie pokrywy kieszeni na płyty CD i pominięcie blokad zabezpieczających naraża użytkownika na działanie promieniowania laserowego. Nie wolno patrzeć się na wiązkę lasera podczas pracy urządzenia.

**PRZED ROZPOCZĘCIEM PRACY**

Uwagi: dotyczące płyt kompaktowych.



Ponieważ zabrudzone, uszkodzone lub odkształcone płyty mogą być przyczyną uszkodzenia urządzenia, należy zwrócić uwagę na następujące elementy:

- Płyty kompaktowe, których można używać. Można używać tylko wskazanych poniżej płyt.
- Płyty CD wyłącznie z cyfrowym dźwiękiem audio.

**UWAGA**

Deklaracja



Niniejszym Blaupunkt Competence Center 2N-Everpol Sp. z o.o. oświadcza, że to urządzenie jest zgodne z wymogami i innymi odpowiednimi postanowieniami dyrektywy 2014/53 / UE. Pełną deklarację zgodności można uzyskać na stronie [www.blaupunkt.com](http://www.blaupunkt.com) w zakładce produktu.

Podmiot odpowiedzialny: 2N-Everpol Sp. z o.o., Puławska 403A, 02-801 Warszawa, Polska, Telefon: +48 22 331 99 59, e-mail:

[info@everpol.pl](mailto:info@everpol.pl)



Produkt został wyprodukowany z wysokiej jakości materiałów i podzespołów, które można poddać recyklingowi i ponownie użyć.



Jeśli na urządzeniu znajduje się znak przekreślonego kosza na śmieci, oznacza to, że produkt jest objęty postanowieniami dyrektywy europejskiej 2012/19/WE. Należy zapoznać się z wymaganiami dotyczącymi lokalnego systemu zbiórki odpadów elektrycznych i elektronicznych. Należy postępować zgodnie z lokalnymi przepisami. Nie wolno wyrzucać tego produktu razem ze zwykłymi odpadami domowymi. Prawidłowe usunięcie starego produktu zapobiegnie potencjalnym negatywnym skutkom dla środowiska naturalnego i zdrowia ludzkiego.



Urządzenie jest wyposażone w baterie objęte dyrektywą europejską 2006/66/WE. Baterii nie wolno wyrzucać razem z odpadami gospodarstwa domowego. Należy zapoznać się z lokalnymi przepisami dotyczącymi oddzielnej zbiórki baterii, ponieważ prawidłowa utylizacja zapobiegnie potencjalnym negatywnym skutkom dla środowiska naturalnego i zdrowia ludzkiego.

**Informacje o ochronie środowiska naturalnego**

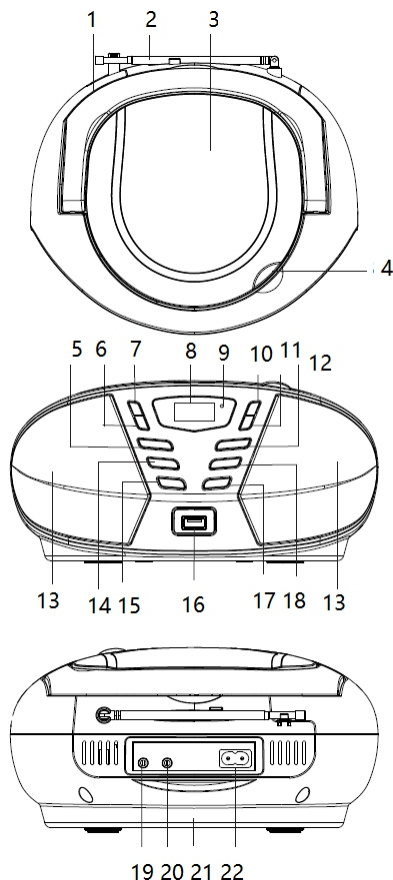
Opakowanie zawiera tylko niezbędne elementy. Dołożono wszelkich starań, aby trzy materiały składowe opakowania były łatwe do oddzielenia: karton (pudełko), pianka polistyrenowa (zabezpieczenia wewnątrz) i polietylen (torebki, arkusz ochronny). Urządzenie wyprodukowano z materiałów, które można poddać recyklingowi i użyć ponownie po ich demontażu przez wyspecjalizowaną firmę. Należy przestrzegać lokalnych przepisów dotyczących utylizacji materiałów opakowaniowych, zużytych baterii i niepotrzebnych urządzeń.

Nagrywanie i odtwarzanie materiałów może wymagać uzyskania zgody. Patrz ustawa o prawach autorskich i prawach wykonawców/artystów.

## PRZEGLĄD ODTWARZACZA

### FUNKCJE ELEMENTÓW STEROWANIA

1. Składany uchwyt
2. Antena teleskopowa FM
3. Drzwiczki kieszeni CD
4. Otwieranie drzwiczek kieszeni CD
5. Przycisk PROG/MEM/MODE
6. Przycisk przejścia do poprzedniego utworu/przewijania do tyłu
7. Przycisk przejścia do następnego utworu/przewijania do przodu
8. Wskaźnik trybu czuwania
9. Wyświetlacz LCD
10. Przycisk odtwarzania/pauzy/CH+
11. Przycisk zatrzymania/CH-
12. Przycisk FOLDER/10+
13. Głośniki
14. Przycisk VOL-
15. Przycisk SOURCE
16. Port USB
17. Przycisk włączenia/trybu czuwania
18. Przycisk VOL+
19. Komora baterii
20. Gniazdo zasilania AC
21. Gniazdo do podłączenia słuchawek
22. Gniazdo AUX IN



## ZASILANIE

### Zasilanie z baterii

1. Zdejmij ostrożnie pokrywę komory baterii.
2. Włóż 6 baterii „C” (UM-2 lub odpowiedniki), zachowując właściwą polaryzację.
3. Załóż pokrywę komory baterii.

### UWAGA:

Rozszczelnione baterie mogą uszkodzić komorę baterii i cały odtwarzacz. Dlatego też należy wyjąć baterie z komory, gdy są rozładowane lub gdy urządzenie nie będzie używane przez dłuższy czas.

### Zasilanie sieciowe AC

Podłącz końcówkę przewodu zasilania prądem przemiennym do gniazda AC IN na urządzeniu, a drugą wtyczkę do gniazda ściennego AC. Baterie zostaną automatycznie odłączone.

**UWAGA:** jeśli do urządzenia przez ponad godzinę nie będzie podawany żaden sygnał audio, przełączy się ono automatycznie w tryb czuwania (nie dotyczy to trybu radia FM).

## RADIO FM

### Strojenie stacji radiowych FM

1. Wskaźnik włączy się po podłączeniu urządzenia do zasilania sieciowego. Naciśnij przycisk włączenia/trybu czuwania, aby włączyć urządzenie (wskaźnik trybu czuwania zgaśnie).
2. Naciśnij kolejno przycisk SOURCE, aby przejść do trybu radia FM.
3. Aby uruchomić automatyczne wyszukiwanie stacji, naciśnij i przytrzymaj przez kilka sekund przycisk przejścia do poprzedniego utworu/przewijania do tyłu lub przycisk przejścia do następnego utworu/przewijania do przodu, a następnie puść go.
4. Naciśnij przycisk przejścia do poprzedniego utworu/przewijania do tyłu lub przycisk przejścia do następnego utworu/przewijania do przodu, aby ręcznie dostroić się do stacji radiowych.
5. Ustaw komfortowy poziom głośności, naciskając przyciski VOL+/-.
6. Naciśnij przycisk włączenia/trybu czuwania, aby wyłączyć zasilanie.

### UWAGA:

Teleskopowa antena FM jest kierunkowa. W trakcie odbioru audycji radiowych FM należy ją całkowicie wysunąć i obracać w celu uzyskania najlepszego odbioru.

### Programowanie ulubionych stacji radiowych

1. Dostroj się najpierw do ulubionej stacji radiowej; następnie naciśnij przycisk PROG/MEM/MODE w celu zapisania bieżącej stacji aż na wyświetlaczu LCD zacznie migać numer miejsca w pamięci.
2. Wybierz numer miejsca w pamięci przyciskiem zatrzymania/CH- lub przyciskiem odtwarzania/pauzy/CH+.
3. Potwierdź wybór przyciskiem PROG/MEM/MODE.
4. W trakcie słuchania radia naciśnij przycisk zatrzymania/CH- lub przycisk odtwarzania/pauzy/CH+, aby wybrać zapisane stacje.
5. Naciśnij i przytrzymaj przycisk odtwarzania / pauzy przez 3 sekundy, urządzenie automatycznie nastroi i zapisze stacje radiowe FM (maksymalna ilość dostępnych do zapisania stacji radiowych wynosi 40).

## OBŚŁUGA

### Ładowanie płyty

1. Otwórz drzwiczki kieszeni CD, trzymając za otwarcie.
2. Włóż płytę do kieszeni (etykietą do góry).
3. Zamknij pokrywę kieszeni płyt.

### Odtwarzanie płyty (CD/MP3)

1. Naciśnij przycisk włączenia/trybu czuwania, aby włączyć urządzenie (wskaźnik trybu czuwania zgaśnie).
2. Naciśnij kolejno przycisk SOURCE, aby włączyć tryb CD.
3. Wykonaj opisane powyżej czynności, aby załadować płytę.
4. Odtwarzacz rozpocznie odczyt płyty.
5. Po pomyślnym odczytaniu płyty odtwarzanie rozpocznie się automatycznie od pierwszej ścieżki.
6. Naciśnij jeden raz przycisk odtwarzania/pauzy/CH+, aby wstrzymać odtwarzanie; naciśnij przycisk ponownie, aby wznowić normalne odtwarzanie; naciśnij przycisk zatrzymania/CH-, aby zatrzymać odtwarzanie.

### Obsługa zewnętrznego urządzenia pamięci (USB)

1. Naciśnij przycisk włączenia/trybu czuwania, aby włączyć urządzenie (wskaźnik trybu czuwania zgaśnie).
2. Podłącz urządzenie USB do portu USB.
3. Naciśnij kolejno przycisk SOURCE, aby włączyć tryb USB.
4. Po wykryciu i odczytaniu zawartości podłączonego urządzenia USB odtwarzanie rozpocznie się automatycznie od pierwszej ścieżki.
5. Naciśnij przycisk odtwarzania/pauzy/CH+, aby wstrzymać lub wznowić odtwarzanie.
6. Naciśnij przycisk zatrzymania/CH-, aby zatrzymać odtwarzanie.

**Przekaskiwanie ścieżek i wyszukiwanie określonego miejsca do odtwarzania (CD/MP3/USB)**

1. Naciśnij jeden raz przycisk przejścia do następnego utworu/przewijania do przodu,  
Naciśnij jeden raz przycisk przejścia do poprzedniego utworu/przewijania do tyłu, aby przejść do poprzedniego utworu.
2. Naciśnij i przytrzymaj przycisk przejścia do następnego/poprzedniego utworu/przewijania do przodu/tyłu, aby szybko przejść do określonego miejsca w utworze.
3. Naciśnij podczas odtwarzania jeden raz przycisk FOLDER/10+, aby przejść o 10 ścieżek do przodu, a dwukrotnie, aby przejść o 20 ścieżek do przodu. Przy użyciu tego przycisku można przejść do ostatniej ścieżki na płycie.

**Przejdźcie do poprzedniego/następnego folderu (MP3/USB)**

1. W trakcie odtwarzania naciśnij i przytrzymaj przycisk FOLDER/10+ do momentu, w którym numer folderu zacznie migać na wyświetlaczu.
2. Naciśnij przycisk przejścia do poprzedniego utworu/przewijania do tyłu lub przycisk przejścia do następnego utworu/przewijania do przodu, aby wybrać żądany folder.
3. Po wyświetleniu numeru folderu na wyświetlaczu naciśnij przycisk FOLDER/10+ w celu potwierdzenia.

**Odtwarzanie z powtarzaniem (CD/MP3/USB)**

W trakcie odtwarzania naciśnij przycisk PROG/MEM/MODE, aby powtarzać odtwarzanie jednej ścieżki; naciśnij przycisk dwukrotnie, aby powtarzać odtwarzanie wszystkich ścieżek; naciśnij przycisk trzykrotnie, aby rozpocząć odtwarzanie początków ścieżek; naciśnij przycisk czterokrotnie, aby włączyć tryb odtwarzania losowego; naciśnij przycisk pięciokrotnie, aby zakończyć działanie funkcji.

**Programowane odtwarzanie (CD/MP3/USB)**

1. W trybie zatrzymania naciśnij jeden raz przycisk PROG/MEM/MODE, zostanie najpierw wyświetlona ikona programu z symbolem „P01”, potem na wyświetlaczu LCD zacznie migać numer wraz ikoną programu.
2. Wybierz pierwszą ścieżkę do zaprogramowania przyciskiem przejścia do następnego/poprzedniego utworu/przewijania do przodu/tyłu, a następnie naciśnij ponownie przycisk PROG/MEM/MODE, aby ją zapisać i przejść do następnego kroku programowania (jeśli na płycie MP3 lub w pamięci USB znajduje się kilka folderów, trzeba najpierw zaprogramować foldery, a potem ścieżki. Sposób programowania folderów jest taki sam, jak programowanie ścieżek).
3. Powtórz powyższe czynności, aby zaprogramować więcej ścieżek. W pamięci można zaprogramować maksymalnie 20 ścieżek w przypadku płyty CD i 99 ścieżek w przypadku płyty MP3/pamięci USB. Jeśli pamięć jest pełna, zostanie wyświetlony komunikat „FULL”.
4. Naciśnij przycisk odtwarzania/pauzy/CH+, aby rozpocząć odtwarzanie w zaprogramowanej kolejności. Odtwarzanie zakończy się po odtworzeniu wszystkich zaprogramowanych ścieżek.
5. Naciśnij przycisk zatrzymania/CH-, aby zatrzymać zaprogramowane odtwarzanie. Po zatrzymaniu programowanego odtwarzania naciśnij przycisk odtwarzania/pauzy/CH+, aby rozpocząć programowane odtwarzanie w poprzedniej kolejności; naciśnij przycisk zatrzymania/CH-, aby skasować program.

**Wejście AUX**

1. Podłącz urządzenie zewnętrzne kablem audio — np. odtwarzacz MP3 — do wejścia AUX IN.
2. Włącz zasilanie urządzenia, wykonując odpowiednie czynności.
3. Źródło zasilania: AC IN, 230 V ~ 50 / 60Hz
4. Steruj odtwarzaną muzyką przy użyciu elementów sterowania urządzenia zewnętrznego.

## GNIAZDO DO PODŁĄCZENIA SŁUCHAWEK

W tylnej części urządzenia znajduje się gniazdo do podłączenia słuchawek, które umożliwia słuchanie muzyki bez zakłócania spokoju innych osób w otoczeniu. Podłącz zestaw słuchawkowy/słuchawki douszne (NIE WCHODZĄ w skład zestawu) i ustaw żądany poziom głośności.

UWAGA: Podłączenie zewnętrznych słuchawek powoduje wyłączenie głośników.

PRZESTROGA: Długotrwałe słuchanie głośnej muzyki przez słuchawki może być przyczyną uszkodzenia słuchu.

15

## DANE TECHNICZNE

**Moc wyjściowa:** 1,2 W x 2, całkowite zniekształcenia harmoniczne 10%

**Radio FM z pętlą PLL:** 87,5–108 MHz

**USB:** wersja USB 2.0

**Pobór mocy w trybie oczekiwania:** <0,5 W

**Zasilanie:** 9 V, 1 A (prąd stały)

**Zasilanie z baterii:** UM2 x 6 (baterie nie wchodzą w skład zestawu).

### Informacja dla użytkowników o sposobie postępowania ze użytym sprzętem elektrycznym i elektronicznym.



Symbol przekreślonego kołowego kontenera na odpady umieszczony na produktach informuje, że zużytego sprzętu elektrycznego i elektronicznego nie można wyrzucać wraz z odpadami komunalnymi. Wyrzucając elektrośmieci do kontenera stwarzasz zagrożenie dla środowiska. Segregując i przekazując do przetworzenia, odzysku, recyklingu oraz utylizacji zużyte urządzenia elektryczne i elektroniczne chronisz środowisko przed zanieczyszczeniem i skażeniem, przyczyniasz się do zmniejszenia stopnia wykorzystania zasobów naturalnych oraz obniżenia kosztów produkcji nowych urządzeń.

Szczegółowe informacje o najbliższym punkcie zbiórki można uzyskać bezpośrednio od sprzedawcy lub w firmie Blaupunkt Competence Centre, 2N-Everpol Sp. z o.o., ul. Puławska 403A, 02-801 Warszawa, tel. +48 22 331 9959, email: [info@blaupunkt-audio.pl](mailto:info@blaupunkt-audio.pl)

**DŮLEŽITÉ BEZPEČNOSTNÍ POKYNY**

**Upozornění:**

Chcete-li snížit riziko úrazu elektrickým proudem, neodstraňujte kryty, neotvírejte zadní část zařízení. Uvnitř nejsou žádné prvky určené pro opravu uživatelem. Údržbou a opravami zařízení se zabývá pouze kvalifikovaný servisní personál.

**Vysvětlení grafických symbolů:**


Symbol blesku se šipkou umístěn v trojúhelníku upozorňuje uživatele na přítomnost neizolovaného "nebezpečného napětí" v prostoru krytu zařízení, které může dosáhnout velikost hrozcí nebezpečí úrazu elektrickým proudem.



Symbol vykřičníku uvnitř rovnostranného trojúhelníku upozorňuje uživatele, že v této části jsou popsány důležité informace týkající se provozu a údržby zařízení v dokumentaci dodané se zařízením.

Před použitím přístroje si přečtěte tento návod, abyste se seznámili s jeho funkcemi a využili je, jak bylo zamýšleno pro zajištění dlouhé životnosti, bezporuchového provozu zařízení a radosti s používáním.

**Důležité informace**

- Uchovejte tento návod a bezpečnostní informace pro jejich použití v budoucnu.
- Nedovolte, aby na přístroj kapala nebo se lila tekutina.
- Nepoužívejte ve vlhkých místech, jako např. koupelny.
- Neumísťujte tento přístroj na následujících místech:
- Vystavených přímému slunečnímu záření nebo blízko radiátorů.
- Na jiná stereofonní zařízení, která generují teplo.
- Blokovat větrání nebo umísťovat v prašném prostředí.
- V prostorech vystavených otřesům.
- V prostorech s vysokou vlhkostí.
- Neumísťujte zařízení v blízkosti otevřeného ohně nebo svíčky.
- Zařízení lze použít pouze tak, jak je popsáno v tomto návodu.
- Před prvním zapnutím se ujistěte, že napájení bylo řádně připojeno.
- USB paměť se připojuje přímo nebo přes prodlužovací USB kabel s délkou do 25 cm.

Z bezpečnostních důvodů neodstraňujte kryty a nesaňte se dostat dovnitř zařízení. Přístroj by měl být opravován pouze kvalifikovaným servisním personálem. Nerozebírejte zařízení ani neotevírejte kryt, protože uvnitř nejsou žádné díly, které mohou být opraveny vlastními silami. Údržbou a opravami zařízení se zabývá výhradně kvalifikovaný servisní personál.

**BEZPEČNOSTNÍ POKYNY**

1. Přečtěte si pokyny - před použitím zařízení si přečtěte celý návod a bezpečnostní informace.
2. Tyto pokyny uschovejte - uschovejte návod k použití pro použití v budoucnu.
3. Dodržujte varování - dodržujte veškerá varování umístěná na zařízení a v souladu s pokyny.
4. Dodržujte pokyny - postupujte podle pokynů a návodu pro uživatele.
5. Instalace - nastavte zařízení podle pokynů výrobce.
6. Napájecí zdroj - tento produkt by měl být napájen pouze ze zdrojů uvedených na označení na napájecím kabelu. Pokud si nejste jisti, jaký typ napájení máte doma, měli byste se obrátit na svého prodejce nebo místního dodavatele elektrické energie.
7. Uzemnění nebo polarizace napájení - zařízení nemusí být uzemněno. Ujistěte se, že je zástrčka zcela zasunuta do zásuvky ve zdi nebo do prodlužovacího kabelu, aby se zabránilo odhalení kolíků a kontaktů. Některé verze zařízení mohou být vybaveny polarizovanou zástrčkou AC (s kolíkem). Tuto zástrčku lze zasunout do síťové zásuvky pouze jedním způsobem. Toto je bezpečnostní funkce. Pokud nelze vložit zástrčku do zásuvky, zkuste ji otočit. Pokud zástrčka stále nepasuje do zásuvky, požádejte elektrikáře, aby ji vyměnil. Neodstraňujte zabezpečení polarizované zástrčky. Pokud používáte prodlužovací kabel nebo kabel jiný než dodávaný s zařízením, měl/a byste mít odpovídající zástrčky a bezpečnostní osvědčení požadované ve vaší zemi.
8. Zajištění napájecího kabelu - napájecí kabely by měly být vedeny tak, aby nikdo po nich nešlapal, nestiskal a aby nedošlo k odřiznutí části zařízení předměty umístěnými vedle. Věnujte zvláštní pozornost zástrčkám, zásuvkám a místům vyznačujícím se tím, že kabely jsou vyvedeny ven ze zařízení.
9. Přetížení - Nepřetěžujte zásuvky ve zdi, prodlužovací šňůry a elektrické rozvaděče, může to mít za následek poruchu nebo úraz elektrickým proudem.
10. Větrání - Přístroj musí být řádně větran. Nepokládejte výrobek na postel, pohovku, nebo podobný povrch. Nezakrývejte zařízení ubrusy, ubrusky, novinami, atd.
11. Teplo - Neumísťujte zařízení blízko zdrojů tepla jako jsou radiátory, kamna nebo jiné přístroje (včetně zesilovačů), které produkují teplo. Nepokládejte na zařízení zapálené svíčky a jiné otevřené zdroje ohně.
12. Voda a vlhkost - aby se snížilo riziko poruchy nebo úrazu elektrickým proudem, nevystavujte přístroj působení deště, vody a vlhkosti, jako například v sauně, nebo v koupelně. Nepoužívejte toto zařízení v blízkosti vody, například u vany, umyvadla, kuchyňského dřezu nebo prádelní vany, ve vlhkém sklepě nebo v blízkosti bazény (nebo na podobných místech).
13. Objekty a kapaliny v zařízení - Nevkládejte objekty přes otvory, protože mohou přijít do styku s body nebezpečného napětí a komponenty, které mohou způsobit poruchu nebo úraz elektrickým proudem. Tekutiny by za žádných okolností neměly vniknout na povrch přístroje. Nepokládejte žádné předměty obsahující kapaliny na horní část zařízení.

14. Čištění – před čištěním vždy odpojte přístroj od elektrické zásuvky. Prach kolem reproduktoru lze odstranit jen suchým hadříkem. Pokud je třeba použít čisticí sprej, nesměřujte postřik ne přímo na přístroj, ale na hadřík. Dávejte pozor, aby nedošlo k poškození pohonné jednotky
15. Přídavná zařízení - nepoužívejte příslušenství, která nejsou schválena výrobcem, protože mohou představovat hrozbu.
16. Příslušenství - neumísťujte přístroj na nestabilní vozík, stojan, stativ, držák nebo stůl. Přístroj může spadnout, poškodit se a způsobit vážné zranění dětem nebo dospělým. Použití pouze s vozíkem, stojanem, trojnožkou, držákem nebo stolem, stanoveným výrobcí nebo prodáváním se zařízením. Instalace zařízení by měla být provedena v souladu s pokyny výrobce, za použití montážních sad doporučených výrobcem.
17. Stěhování zařízení - zařízení umístěné na vozíku pohybujte velmi pečlivě. Rychlé zastavení, nadměrné použití síly a nerovné povrchy mohou způsobit převrácení vozíku se zařízením.
18. Období mimo provoz - napájecí šňůra musí být odpojena od zásuvky během bouřky nebo kdy přístroj není používán po dlouhou dobu.
19. Servis - Nepokoušejte se o vlastnoruční prohlídky zařízení. Otevření krytu může způsobit nebezpečné napětí a vystavit uživatele na nebezpečí. Údržbu a opravy zařízení se zabývá výhradně kvalifikovaný servisní personál.
20. Pokud nepoužíváte zařízení, odpojte napájecí kabel od zásuvky ve zdi. Pokud je zařízení připojeno ke zdroji napájení, je v pohotovostním režimu a není zcela vyloučeno.
21. Náhradní díly - při výměně dílů, zkontrolujte, zda zaměstnanec servisu použil náhradní díly specifikované výrobcem, nebo díly stejné díly jako původní. Výměna za neschválené díly hrozí poruchou, úrazem elektrickým proudem nebo jiným nebezpečím.
22. Hlavní pojistky – pro kontinuální zabezpečení zařízení před ohněm, použijte pojistky správného typu a parametrů. Parametry pojistky v rozsahu napětí jsou vyznačeny na přístroji.
23. Nezvyšujte hlasitost při poslechu skladby malé hlasitosti nebo v nepřítomnosti vstupního zvukového signálu. V opačném případě může dojít k poškození reproduktoru při rychlém zvýšení síly signálu.
24. Jediným způsobem, odpojení zařízení od zdroje elektrické energie je odpojení napájecího kabelu od elektrické zásuvky nebo od zařízení. Zásuvka nebo vstupní napájecí kabel k zařízení musí být vždy k dispozici při používání výrobku.
25. Zařízení by mělo být instalováno v blízkosti elektrické zásuvky nebo prodlužovačky a to takovým způsobem, aby bylo vždy dle dispozici.
26. Maximální okolní teplota zařízení je 35 °C
27. Pokyny týkající se elektrostatických výbojů - v případě, že činnost zařízení je narušena elektrostatickými výboji, vypněte jej a opětovně zapnete nebo přemístíte přístroj do jiného místa.
28. Baterie
  - A. Baterie nesmí být vystaveny nadměrnému teplu, jako je sluneční záření, oheň atd.
  - B. Při likvidaci baterie, věnujte pozornost environmentálním aspektům.
  - C. Upozornění týkající se používání baterií: aby se zabránilo úniku baterie, což může mít za následek zranění nebo poškození zařízení:
    - Při vkládání baterií dbejte na správnou polaritu (+ a -).
    - Nepoužívejte různé baterie najednou - staré a nové baterie, standardní a alkalické apod.
    - Vyjměte baterie z přístroje, když není používán po delší dobu

#### Poznámka o ERP2 (zařízení související se spotřebou energie)

Toto zařízení s ekodesignem je v souladu s požadavky části 2 nařízení Komise (ES) 1275/2008 ke směrnici 2009/125/ES o spotřebě energie kterým se provádí směrnice Evropského parlamentu a Rady 2005/32/ES, pokud jde o požadavky na ekodesign z hlediska spotřeby elektrické energie elektrických a elektronických zařízení určených pro domácnosti a kanceláře v pohotovostním režimu a ve vypnutém stavu. Po uplynutí 15 minut bez vstupního audio signálu zařízení se automaticky přepne do pohotovostního režimu. Informace o obnovení normálního provozu lze nalézt v příručce.

#### Důležité informace:

Tento přístroj je vybaven režimem pro úsporu energie: pokud v rámci 15 minut nebude automaticky podán žádný vstupní signál, přístroj přejde do pohotovostního režimu, aby šetřil energii (ERP standard 2). Je třeba poznamenat, že nízké nastavení hlasitosti ve zdroji audio signálu může být rozpoznáno jako stav "bez zvuku", což může ovlivnit vaši schopnost detekování signálu ze zařízení a způsobit automaticky posun do pohotovostního režimu. V tomto případě, obnovte přenos zvuku a zvýšete hlasitost zdroje zvuku (MP3 přehrávač atd.), pro obnovení přehrávání. Pokud problém přetrvává, obraťte se na místní servisní středisko.

#### VAROVÁNÍ

Přístroj by neměl být používán osobami (včetně dětí) s fyzickým, smyslovým nebo mentálním postižením a osobami s nedostatečnými znalostmi a zkušenostmi, pokud nejsou pod dohledem osoby odpovědné za jejich bezpečnost a nebyly poučeny, jak bezpečně používat zařízení. Přítomnost dospělých je nutná v případě, že zařízení obsluhuje děti; to umožní zajištění bezpečného provozu zařízení.

1. Nikdy nenechávejte zařízení běžet bez dozoru! Vypněte zařízení, pokud jej nepoužíváte, a to i na krátkou dobu.
2. Neprovodujte přístroj přes externí časovač nebo samostatný systém dálkového ovládní.
3. Aby se zabránilo nebezpečí, v případě poškození napájecího kabelu výměnu by měl dělat výrobce, autorizovaný poskytovatel služeb nebo jiná osoba, mající příslušné kvalifikace.
4. Před použitím zařízení zkontrolujte, zda napětí odpovídá napětí vyskytujícímu se v místní síti.
5. Nezakrývejte větrací otvory novinami, ubrusy, záclonami, atd. Ujistěte se, že nad přístrojem je alespoň 20 cm volného prostoru, a z každé strany - nejméně 5 cm.
6. Nedovolte, aby na přístroj kapaly nebo se lily tekutiny a nepokládejte na něj předměty naplněné kapalinami, jako například vázy.

7. Aby nedošlo k poruše nebo k úrazu elektrickým proudem, nevystavujte zařízení na horka místa, na dešť, vlhkost a prach.
8. Nepokládejte zařízení do blízkosti zdrojů vody, jako jsou kouchoutky, vany, pračky nebo bazény. Umístěte zařízení na plochy stabilní povrch.
9. Nevystavujte silnému magnetickému poli.
10. Nepokládejte zařízení přímo na zesilovači nebo přijímači.
11. Nepokládejte přístroj na vlhka místa, protože vlhkost poškozuje elektrické součásti.
12. Přenos zařízení z chladného do teplého prostředí nebo do vlhkého prostoru může vést ke kondenzaci vlhkosti na čočce uvnitř přehrávače. V takové situaci, přístroj nebude pracovat správně. Nechte součásti v přístroji po dobu jedné hodiny pro odpařování vlhkosti.
13. Nečistěte zařízení chemickými rozpouštědly, protože mohou zničit lak skříně. Přístroj se čistí čistým, suchým nebo mírně vlhkým hadříkem.
14. Při odpojování ze zásuvky vždy tahejte za zástrčku, ne za kabel.
15. Když se zapnutý přístroj používá v blízkosti zapnutého televizoru, může být zdrojem narušení obrazu v podobě čar na obrazovce. Kvalita obrazu závisí na vlnovém pásmu TV vysílání. Tento jev neznamená poruchu zařízení nebo televizoru. Vidíte-li tyto čáry, umístěte přístroj do větší vzdálenosti od televizoru.
16. Síťová zástrčka se používá k odpojení napájení a měla by být vždy k dispozici.
17. Chcete-li zachovat laserovou hlavu pro čtení CD v čistotě, nedotýkejte ji a vždy zavřete zásuvku disku.
18. Během přehrávání se disk otáčí vysokou rychlostí. NEZVEDEJTE a nepohybujte zařízením během přehrávání, protože může to způsobit poškození disku nebo samotného zařízení.
19. Před přesunem přístroje na jiné místo nebo během stěhování vyjměte disk a zavřete zásuvku disku. Potom vypněte napájení a odpojte napájecí kabel. Stěhování zařízení s diskem v kapse může být příčinou poruchy.
20. Po přehrávání disk musí být umístěn v obalu. Nevystavujte disk přímému slunečnímu záření a zdrojům tepla. Nenechávejte desky uvnitř automobilu zaparkovaného na přímém slunci.
21. Nedotýkejte strany disku bez štítku. Držte disk za jeho okraje, nenechtejte otisky prstů. Prach, otisky prstů nebo škrábance na disku mohou způsobit poruchy přehrávače. Nepřipojujte poznámky nebo pásku na disk.
22. Pro čištění disku použijte čistý hadřík, který nepouští vlákna. Začněte čištění lineárně od centra na okraj disku, s použitím běžně dostupných čistících prostředků nebo antistatických prostředků na gramofonové desky.
23. Chcete-li zabránit možné ztrátě sluchu, neposlouchejte hudbu delší dobu nahlas.



#### VAROVÁNÍ: ZDROJ ZÁŘENÍ

CLASS 1 LASER PRODUCT  
LUOKAN 1 LASERLAITE  
KLASS 1 LASERAPPARAT

Toto označení znamená, že uvnitř zařízení jsou laserové komponenty. Otevření krytu kapsy CD a opomenutí bezpečnostních pojistek vystavuje na laserové záření. Nedívejte se do laserového paprsku během provozu.



#### PŘED UVEDENÍM DO PROVOZU

Poznámky: tykající se desek CD.

Špinavé, poškozené nebo deformované disky mohou způsobit poškození zařízení, dbejte na následující:

- A. Kompaktní disky, které můžete použít. Můžete použít pouze desky určené níže:
- B. CD pouze s digitálním audio zvukem



#### POZOR

Prohlášení o shodě

Blaupunkt Competence Center 2N-Everpol Sp. z o.o. tímto prohlašuje, že je toto zařízení v souladu se základními požadavky a dalšími příslušnými ustanoveními směrnice 2014/53/EU. Prohlášení o shodě lze získat ze stránky produktu na [www.blaupunkt.com](http://www.blaupunkt.com).

Odpovědná strana: 2N-Everpol Sp. z o.o., Puławska 403A, 02-801 Varšava, Polsko, Tel: +48 22 331 99 59, E-mail: [info@everpol.pl](mailto:info@everpol.pl)



Naše produkty jsou navrženy a vyrobeny z vysoce kvalitních materiálů a komponent, které jsou recyklovatelné a znovu použitelné.





Je-li tento symbol přeškrtnutého kontejneru uveden na výrobku, znamená to, že výrobek podléhá směrnici 2012/19/EU. Informujte se prosím o místní systém sběru tříděného odpadu pro elektrické a elektronické výrobky. Prosím řiďte se místními pravidly a nelikvidujte staré produkty spolu s běžným komunálním odpadem. Správnou likvidací starého výrobku pomůžete předejít možným negativním dopadům na životní prostředí a lidské zdraví.



Výrobek obsahuje baterie podléhající směrnici 2006/66/EC, které nelze vyhazovat do běžného domovního odpadu. Informujte se prosím o místních pravidlech o sběru baterií, neboť správnou likvidací pomůžete předcházet negativním důsledkům pro životní prostředí a lidské zdraví.

### **Informace týkající se životního prostředí**

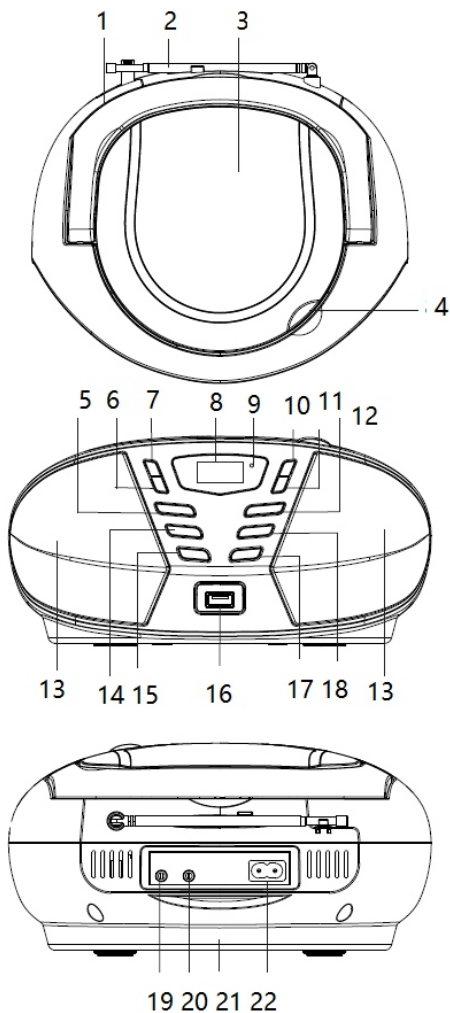
Výrobek je zabalen pouze v nezbytném obalu pro jeho ochranu. Snahou naší firmy je, aby byl obalový materiál snadno rozdělitelný na tři materiály: lepenku (krabice), polystyrén (ochranné balení) a polyethylen (sáčky, ochranné fólie z lehčeného plastu). Výrobek se skládá z materiálů, které lze recyklovat a znovu použít v případě demontáže odbornou firmou. Dodržujte prosím místní předpisy týkající se likvidace obalových materiálů, vybitých baterií a starého zařízení.

Na nahrávání a přehrávání materiálů může být vyžadován souhlas. Viz Zákon o Copyrightu Act 1956 a Zákon na ochranu umělců Sk 1958-1972.

## PROHLÍDKA PŘEHRÁVAČE

### FUNKCE OVLÁDÁNÍ

1. Sklopná rukojeť
2. Teleskopická anténa pro příjem FM
3. Dvířka CD příhrádky
4. Otevření dvířek kapsy CD
5. Tlačítko PROG / MEM / MODE
6. Tlačítko přechod na předchozí skladbu / posun zpět
7. Tlačítko přechod na další skladbu / posun vpřed
8. Indikátor pohotovostního režimu
9. LCD displej
10. Tlačítko Play / Pause/CH+
11. Tlačítko Stop
12. Tlačítko FOLDER/10 +
13. Reproduktoři
14. Tlačítko VOL -
15. Tlačítko SOURCE
16. Port USB
17. Tlačítko zapnutí / pohotovostní režim
18. Tlačítko VOL +
19. Příhrádka na baterie
20. Síťová zásuvka AC
21. Jack pro sluchátka
22. Konektor Aux-IN



## NAPÁJENÍ

### Napájení z baterie

1. Opatrně sejměte kryt baterie.
2. Vložte 6 baterií "C" (UM-2 nebo ekvivalent) se správnou polaritou.
3. Zasuňte kryt baterie.

### POZNÁMKA:

- Neutěsněné baterie mohou poškodit příhrádku baterií a přehrávač. Vyměňte baterie z příhrádky, pokud jsou vybité nebo pokud přístroj nebude používán po dlouhou dobu.

### Síťové napájení

Připojte konec napájecího kabelu ke konektoru AC IN na zařízení a druhý konec k síťové zásuvce. Baterie se automaticky odpojí.

**POZNÁMKA:** Pokud zařízení pro více než hodinu nebude mít žádný audio signál, automaticky se přepne do

## FM RADIO

### Ladění rádiových stanic VKV

1. Indikátor se rozsvítí, pokud je připojen k síti. Stiskněte tlačítko zapnutí / pohotovostní režim pro zapnutí zařízení (indikátor pohotovostního režimu se vypne).
2. Opakovaným stisknutím tlačítka SOURCE přepněte na FM rádio.
3. Chcete-li spustit automatické vyhledávání stanic, stiskněte a podržte tlačítko přechod na předchozí skladbu / posun zpět anebo přechod na další skladbu / vpřed po dobu několika sekund, a pak pusťte.
4. Stiskněte se tlačítko přechod na předchozí skladbu / posun zpět anebo přechod na další skladbu / vpřed pro ruční naladění rozhlasových stanic.
5. Nastavte pohodlnou hlasitost stisknutím tlačítka VOL + / -.
6. Stiskněte tlačítko zapnutí / pohotovostní režim pro vypnutí napájení.

### POZNÁMKA:

Teleskopická FM anténa je směrová. Během rozhlasového vysílání v pásmu FM úplně ji vytáhněte a otočte, abyste získali co nejlepší příjem.

### Programování vašich oblíbených rozhlasových stanic

1. Naladte první oblíbenou rozhlasovou stanicí a poté stiskněte tlačítko PROG / MEM / MODE tlačítko pro uložení aktuální stanice až na displeji LCD začne blikat číslo místa v paměti.
2. Vyberte číslo paměťového místa stisknutím tlačítka stop nebo tlačítka play / pause / CH +.
3. Potvrďte svou volbu stisknutím tlačítka PROG / MEM / MODE.
4. Při poslechu rádia stiskněte tlačítko stop/CH- nebo tlačítko play / pause / CH + pro výběr přednastavených stanic.
5. Stiskněte 3 sekundy tlačítko play / pause pro automatické vyhledávání a uložení dostupných rádiových FM stanic (maximální počet rozhlasových stanic, které lze uložit, je 40).

## PROVOZ

### Vkládání disku

1. Otevřete dvířka CD kapsy, drží otvor.
2. Vložte disk do kapsy (potištěnou stranou nahoru).
3. Zavřete kryt CD kapsy.

### Play a Disc (CD/MP3)

1. Press the ON/STANDBY button to turn the unit on (the standby indicator will be off).
2. Press the SOURCE button repeatedly to switch to CD mode.
3. Follow the steps above to load a disc.
4. The player begins reading disc immediately.
5. When the disc is successfully read, the playback will start from the first track automatically.
6. Press the PLAY/PAUSE/CH+ button once to halt music playback, press the button again to resume the normal playback; press the STOP/CH- button to cease music playback.

### Přehrávání disku (CD/MP3)

1. Stiskněte tlačítko zapnutí / pohotovostní režim pro zapnutí zařízení (indikátor pohotovostní režim se vypne).
2. Stiskněte tlačítko SOURCE pro zapnutí CD.
3. Postupujte podle výše uvedených kroků pro načtení disku.
4. Přehrávač načte disk.
5. Po úspěšném načtení disku, přehrávání se automaticky spustí od první skladby.
6. Stiskněte tlačítko play / pause / CH + pro pozastavení přehrávání; stiskněte znovu tlačítko play / pause / CH + pro návrat k normálnímu přehrávání; stiskněte tlačítko stop/CH- pro zastavení přehrávání.

### Podpora externího paměťového zařízení (USB)

1. Stiskněte tlačítko zapnutí / pohotovostní režim pro zapnutí zařízení (indikátor pohotovostní režim se vypne).
2. Připojte zařízení USB k portu USB.
3. Stisknutím tlačítka SOURCE přepnete do režimu USB.

4. Po detekci a načtení obsahu připojeného USB zařízení se přehrávání automaticky spustí od první skladby
5. Stiskněte tlačítko play / pause / CH + pro pozastavení nebo obnovení přehrávání.
6. Stiskněte tlačítko stop/CH- pro zastavení přehrávání.

#### **Přeskakování skladeb a vyhledávání konkrétního místa k přehrávání (CD/MP3/USB)**

1. Stiskněte jednou tlačítko přechod na další skladbu / vpřed pro přechod na další skladbu.  
Stiskněte jednou tlačítko, aby přejít na předchozí skladbu/přetočením dozadu přejdete na předchozí skladbu.
2. Stiskněte a podržte tlačítko přechod na předchozí skladbu / posun zpět anebo přechod na další sk vpřed pro rychlý přechod na konkrétní místo v písni.
3. Během přehrávání jednou stiskněte tlačítko FOLDER/10 + pro přechod o 10 skladeb vpřed, dvakrát pro přechod o 20 skladeb. Pomocí tohoto tlačítka můžete přejít na poslední skladbu na disku.

#### **Přechod na předchozí / následující složku (MP3/USB)**

1. Během přehrávání stiskněte a podržte tlačítko FOLDER/10 + až číslo složky blikne na displeji.
2. Stiskněte tlačítko přechod na předchozí skladbu / posun zpět anebo přechod na další skladbu / vpřed pro výběr požadované složky.
3. Po vysvětlení čísla složky na displeji stiskněte tlačítko FOLDER/10 + pro potvrzení.

#### **Opakované přehrávání (CD/MP3/USB)**

Během přehrávání stiskněte tlačítko PROG / MEM / MODE pro opakované přehrávání jedné skladby; stiskněte dvakrát pro opakování všech skladeb; stiskněte tlačítko třikrát pro přehrávání začátků skladeb; stiskněte tlačítko čtyřikrát pro přepnutí do režimu náhodného přehrávání; stiskněte pětikrát pro vypnutí funkce.

#### **Programované přehrávání (CD/MP3/USB)**

1. V režimu zastavení stiskněte jednou tlačítko PROG / MEM / MODE, na displeji se objeví ikona programu, symbol P01, poté bude na displeji najednou blikat číslo a ikona programu.
2. Vyberte první skladbu, kterou chcete naprogramovat stisknutím tlačítka přechod na předchozí skladbu / posun zpět anebo přechod na další skladbu / vpřed; pak stiskněte tlačítko PROG / MEM / MODE pro uložení a přechod na další krok programování (pokud v paměti disku MP3 nebo USB je několik složek, musíte si nejprve naprogramovat složky, a poté skladby. Způsob programování složek je stejný jako programování skladeb).
3. Opakujte výše uvedené kroky pro naprogramování dalších skladeb. V paměti můžete naprogramo skladeb v případě CD a až 99 stop v případě MP3/paměti USB. Je-li paměť plná, zobrazí se informace "PLNÁ".
4. Stiskněte tlačítko play / pause / CH + pro spuštění přehrávání naprogramovaného pořadí. Přehrávání se zastaví po přehraní všech naprogramovaných skladeb.
5. Stisknutím tlačítka stop/CH- zastavíte naprogramované přehrávání. Po zastavení naprogramovaného přehrávání stiskněte tlačítko play / pause / CH + pro spuštění naprogramované přehrávání v předchozím pořadí; stiskněte tlačítko stop CH- pro odstranění programu.

#### **AUX vstup**

1. Připojte externí zařízení audio kabelem - např. MP3 přehrávač – ke vstupu AUX IN.
2. Zapněte napájení zařízení pomocí následujících kroků.
3. Stisknutím tlačítka SOURCE aktivujete režim AUX.
4. Ovládejte přehrávání hudby pomocí ovládacích prvků externího zařízení.

#### **Konektor pro připojení sluchátek**

V zadní části zařízení je jack pro připojení sluchátek, které umožňují poslouchání hudby, aniž byste rušili ostatní v okolí. Připojte náhlavní soupravu/ sluchátka (NEJSOU součástí sady) a nastavte požadovanou úroveň hlasitosti.

**POZNÁMKA:** Připojením externích sluchátek se odpojí reproduktory.

**UPOZORNĚNÍ:** Dlouhotrvající poslouchání hlasité hudby přes sluchátka může způsobit poškození sluchu.

## SPECIFIKACE

**Výstupní výkon:** 1,2 W x 2, THD 10%

**FM rádio s PLL:** 87,5 - 108 MHz

**USB:** USB verze 2.0

**Spotřeba energie v pohotovostním režimu:** <0,5 W

**Zdroj napájení:** AC IN, 230 V ~ 50 / 60 Hz

**Výkon baterií:** 6 x UM2 baterie (nejsou součástí sady).

### Informace týkající se nakládání s elektronickým zařízením



Označení na zařízení a v příložené dokumentaci znamenají, že zařízení nesmí být likvidováno společně s netříděným komunálním odpadem. Vyhazování elektroodpadů do popelnice je riziko pro životní prostředí. Třídění, zpracování, využití, recyklace a likvidace elektroodpadů pomáhá chránit životní prostředí před znečištěním a kontaminací, pomáhá snížit využívání přírodních zdrojů a snižuje náklady na výrobu nových zařízení.

Za účelem zjištění podrobnosti o nejbližším sběrném místě kontaktujte prodejce nebo společnost Blaupunkt Competence Centre, 2N-Everpol Sp. s o.o., ul. Puławska 403A, 02-801 Varšava, tel. +48 22 331 9959, e-mail: [info@blaupunkt-audio.pl](mailto:info@blaupunkt-audio.pl)

V případě otázek nebo problémů, obraťte se na naše služby.

Všechna práva vyhrazena. Všechny obchodní značky jsou registrované ochrannými známkami jejich příslušných vlastníků. Údaje a specifikace se mohou změnit bez předchozího upozornění.

**DŮLEŽITÉ BEZPEČNOSTNÉ POKYNY****Upozornenie:**

Ak chcete znížiť riziko úrazu elektrickým prúdom, neodstraňujte kryt alebo zadnú časť zariadenia. Vnútri nie sú žiadne prvky určené na opravu používateľom. Údržbou a opravami zariadení sa zaoberá len kvalifikovaný servisný personál.

**Vysvetlenie grafických symbolov:**

Symbol blesku so šípkou umiestnený v trojuholníku upozorňuje užívateľa na prítomnosť neizolovaného "nebezpečného napätia" v priestore krytu zariadenia, ktoré môže dosiahnuť veľkosť hroziacu nebezpečenstvo úrazu elektrickým prúdom.



Výkričník vo vnútri rovnostranného trojuholníka upozorňuje užívateľa, že v tejto časti sú popísané dôležité informácie týkajúce sa prevádzky a údržby zariadení v dokumentácii dodanej so zariadením.

Pred použitím prístroja si prečítajte tento návod, aby ste sa oboznámili s jeho funkciami a využili je, ako bolo zamýšľané pre zaistenie dlhšej životnosti, bezporuchovej prevádzky zariadenia a radosti s použitia.

**Dôležité informácie**

- Ušchovajte tento návod a bezpečnostné informácie pre ich použitie v budúcnosti.
- Nedovoľte, aby na prístroj kvapkala alebo sa lila tekutina.
- Nepoužívajte vo vlhkých miestach, ako napr kúpeľne.
- Neumiestňujte tento prístroj na nasledujúcich miestach:
  - Vystavených priamemu slnečnému žiareniu alebo blízko radiátorov.
  - Na iné stereofónne zariadenie, ktoré generujú teplo.
  - Blokovať vetranie alebo umiestňovať v prašnom prostredí.
  - V priestoroch vystavených otrasom.
  - V priestoroch s vysokou vlhkosťou.
- Neumiestňujte zariadenie v blízkosti otvoreného ohňa alebo sviečky.
- Zariadenie je možné použiť iba tak, ako je popísané v tomto návode.
- Pred prvým zapnutím sa uistite, že napájanie bolo správne pripojené.
- USB pamäť sa pripája priamo alebo cez predlžovací USB kábel s dĺžkou do 25 cm.

Z bezpečnostných dôvodov neodstraňujte kryty a nesnažte sa dostať dovnútra zariadenia. Prístroj by mal byť opravovaný iba kvalifikovaným servisným personálom. Nerozoberajte zariadenie ani neotvárajte kryt, pretože vo vnútri nie sú žiadne diely, ktoré môžu byť opravené vlastnými silami. Údržbou a opravami zariadení sa zaoberá výhradne kvalifikovaný servisný personál.

**BEZPEČNOSTNÉ POKYNY**

1. Prečítajte si pokyny - pred použitím zariadenia si prečítajte celý návod a bezpečnostné informácie.
2. Tieto pokyny uschovajte - uschovajte návod na použitie pre použitie v budúcnosti.
3. Dodržiavajte varovanie - dodržujte všetky varovania umiestnené na zariadení a v súlade s pokynmi.
4. Dodržiavajte pokyny - postupujte podľa pokynov a návodu pre užívateľa.
5. Inštalácia - nastavte zariadenie podľa pokynov výrobcu.
6. Napájacie zdroje - tento produkt by mal byť napájaný iba zo zdrojov uvedených na označenie na napájacom kábli. Ak si nie ste istí, aký typ napájania máte doma, mali by ste sa obrátiť na svojho predajcu alebo miestneho dodávateľa elektrickej energie.
7. Uzemnenie alebo polarizácia napájania - zariadenie nemusí byť uzemnené. Uistite sa, že je zástrčka úplne zasunutá do zásuvky v stene alebo do predlžovacieho kábla, aby sa zabránilo odhaleniu kolíkov a kontaktov. Niektoré verzie zariadenia môžu byť vybavené polarizovanou zástrčkou AC (s kolíkom). Túto zástrčku je možné zasunúť do sieťovej zásuvky iba jedným spôsobom. Toto je bezpečnostná funkcia. Ak nie je možné vložiť zástrčku do zásuvky, skúste ju otočiť. Ak zástrčka stále nepasuje do zásuvky, požiadajte elektrikára, aby ju vymenil. Neodstraňujte zabezpečenia polarizovanej zástrčky. Ak používate predlžovací kábel alebo kábel iný ako dodávaný s zariadením, mal / a by ste mať zodpovedajúce zástrčky a bezpečnostné osvedčenie požadované vo vašej krajine.
8. Zaistenie napájacieho kábla - napájacie káble by mali byť vedené tak, aby nikto po po nich nešliapal, nestiskal a aby nedošlo k odrezaniu časti zariadenia predmetami umiestnenými vedľa. Venujte zvláštnu pozornosť zástrčkám, zásuvkám a miestam vyznačujúcim sa tým, že káble sú vyvedené von zo zariadenia.
9. Preťaženie - nepreťažujte zásuvky, predlžovacie šnúry a elektrické rozvádzače, môže to mať za následok poruchu alebo úraz elektrickým prúdom.
10. Vetranie - Prístroj musí byť riadne vetranie. Nekladte výrobok na posteľ, pohovku, alebo podobný povrch. Nezakrývajte zariadenie obrusy, obrúsky, novinami, atď
11. Teplo - Neumiestňujte zariadenie blízko zdrojov tepla ako sú radiátory, kachle alebo iné prístroje (vrátane zosilňovačov), ktoré produkujú teplo. Nekladte na zariadenie zapálené sviečky a iné otvorené zdroje ohňa.
12. Voda a vlhkosť - aby sa znížilo riziko poruchy alebo úrazu elektrickým prúdom, nevystavujte prístroj pôsobeniu dažďa, vody a vlhkosti, ako napríklad v saune, alebo v kúpeľni. Nepoužívajte toto zariadenie v blízkosti vody, napríklad pri vani, umývadle, kuchynského drezu alebo vane, vo vlhkej pivnici alebo v blízkosti bazéna (alebo na podobných miestach).
13. Objekty a kvapaliny v zariadení - Nevkladajte objekty cez otvory, pretože môžu prísť do styku s bodmi nebezpečného napätia a komponenty, ktoré môžu spôsobiť poruchu alebo úraz elektrickým prúdom. Tekutiny by za žiadnych okolností nemali vniknúť na povrch prístroja. Nekladte žiadne predmety obsahujúce kvapaliny na hornú časť zariadenia.

14. Čistenie - pred čistením vždy odpojte prístroj od elektrickej zásuvky. Prach okolo reproduktora možno odstrániť len suchou handričkou. Ak je potrebné použiť čistiaci sprej, nesmerujte postrek nie priamo na prístroj, ale na handričku. Dávajte pozor, aby nedošlo k poškodeniu pohonnej jednotky
15. Prídavné zariadenia - nepoužívajte príslušenstvo, ktoré nie sú schválené výrobcom, pretože môžu predstavovať hrozbu.
16. Príslušenstvo - neumiestňujte prístroj na nestabilný vozík, stojan, statív, držiak alebo stôl. Prístroj môže spadnúť, poškodiť sa a spôsobiť vážne zranenie deťom alebo dospelým. Použitie iba s vozikom, stojanom, trojnožkou, držiakom alebo stolom, stanoveným výrobcovia alebo predávajúci sa so zariadením. Inštalácia zariadenia by mala byť vykonaná v súlade s pokynmi výrobcu, za použitia montážnych sád odporúčaných výrobcom.
17. Sťahovanie zariadenia - zariadenie umiestnené na vozíku pohybujte veľmi starostlivo. Rýchle zastavenie, použitie nadmernej sily a nerovné povrchy môžu spôsobiť prevrátenie vozíka so zariadením.
18. Obdobie mimo prevádzky - napájací šnúra musí byť odpojená od zásuvky počas búrky alebo keď prístroj nie je používaný po dlhú dobu.
19. Servis - Nepokúšajte sa o vlastnoručný prehľadky zariadení. Otvorenie krytu môže spôsobiť nebezpečné napätie a vystaviť užívateľa na nebezpečenstvo. Údržbu a opravy zariadení sa zaoberá výhradne kvalifikovaný servisný personál.
20. Ak nepoužívate zariadenie, odpojte napájací kábel od zásuvky v stene. Ak je zariadenie pripojené k zdroju napájania, je v pohotovostnom režime a nie je úplne vylúčené.
21. Náhradné diely - pri výmene dielov, kontrolujte, či zamestnanec servisu použil náhradné diely špecifikované výrobcom, alebo diely rovnaké ako pôvodné. Výmena za neschválené diely hrozí poruchou, úrazom elektrickým prúdom alebo iným nebezpečenstvom.
22. Hlavné poistky - pre kontinuálne zabezpečení zariadenia pred ohňom, použite poistky správneho typu a parametrov. Parametre poistky v rozsahu napätia sú vyznačené na prístroji.
23. Nezvyšujte hlasitosť pri počúvaní skladby malej hlasitosti alebo v neprítomnosti vstupného zvukového signálu. V opačnom prípade môže dôjsť k poškodeniu reproduktora pri rýchlom zvýšení sily signálu.
24. Jediným spôsobom odpojenia zariadenia od zdroja elektrickej energie je odpojenie napájacieho kábla od elektrickej zásuvky alebo od zariadenia. Zásuvka alebo vstupný napájací kábel k zariadeniu musí byť vždy k dispozícii pri používaní výrobku.
25. Zariadenie by malo byť inštalované v blízkosti elektrickej zásuvky alebo predlžovačky a to takým spôsobom, aby bolo vždy k dispozícii.
26. Maximálna okolitá teplota zariadenia je 35 ° C
27. Pokyny týkajúce sa elektrostatických výbojov - v prípade, že činnosť zariadenia je narušená elektrostatickými výbojmi, vypnite ho a opätovne zapnete alebo premiestnite prístroj do iného miesta.
28. Batérie
  - A. Batérie nesmú byť vystavené nadmernému teplu, ako je slnečné žiarenie, oheň atď
  - B. Pri likvidácii batérie, venujte pozornosť environmentálnym aspektom.
  - C. Upozornenia týkajúce sa používania batérií: aby sa zabránilo úniku batérie, čo môže mať za následok zranenie alebo poškodenie zariadenia:
    1. Pri vkladaní batérií dbajte na správnu polaritu (+ a -).
    2. Nepoužívajte rôzne batérie naraz - staré a nové batérie, štandardné a alkalické atď
    3. Vyberte batérie z prístroja, keď nie je používaný po dlhšiu dobu

#### Poznámka o ERP2 (zariadenia súvisiace so spotrebou energie)

Toto zariadenie s ekodizajnom je v súlade s požiadavkami časti 2 nariadenia Komisie (ES) 1275/2008 k smernici 2009/125/ES o spotrebe energie ktorých sa vykonáva smernica Európskeho parlamentu a Rady 2005/32/ES, pokiaľ ide o požiadavky na ekodizajn z hľadiska potreby elektrickej energie elektrických a elektronických zariadení v domácnosti a kancelárii v pohotovostnom režime a vo vypnutom stave. Po uplynutí 15 minút bez vstupného audio signálu zariadenie sa automaticky prepne do pohotovostného režimu. Informácie o obnovenie normálnej prevádzky možno nájsť v príručke.

#### Dôležité informácie:

Tento prístroj je vybavený režimom pre úsporu energie: ak v rámci 15 minút nebude automaticky podaný žiadny vstupný signál, prístroj prejde do pohotovostného režimu, aby šetril energiu (ERP štandard 2). Je potrebné poznamenať, že nízke nastavenie hlasitosti v zdroji audio signálu môže byť rozpoznané ako stav "bez zvuku", čo môže ovplyvniť vašu schopnosť detekovanie signálu zo zariadenia a spôsobiť automaticky posun do pohotovostného režimu. V tomto prípade, obnovte prenos zvuku a zvýšte hlasitosť zdroja zvuku (MP3 prehrávač atď), pre obnovenie prehrávania. Ak problém pretrváva, obráťte sa na miestne servisné stredisko.

#### VAROVANIE

Prístroj by nemal byť používaný osobami (vrátane detí) s fyzickým, zmyslovým alebo mentálnym postihnutím a osobami s nedostatočnými znalosťami a skúsenosťami, pokiaľ nie sú pod dohľadom osoby zodpovednej za ich bezpečnosť a neboli poučené, ako bezpečne používať zariadenie. Prítomnosť dospelých je nutná v prípade, že zariadenie obsluhujú deti; to umožní zabezpečenie bezpečnej prevádzky zariadenia.

1. Nikdy nenechávajte zariadenie bežať bez dozoru! Vypnite zariadenie, ak ho nepoužívate, a to aj na krátku dobu.
2. Nepoužívajte prístroj cez externý časovač alebo samostatný systém diaľkového ovládania.
3. Aby sa zabránilo nebezpečenstvu, v prípade poškodenia napájacieho kábla výmenu by mal robiť výrobca, autorizovaný poskytovateľ služieb alebo iná osoba, majúca príslušné kvalifikácie.
4. Pred použitím zariadenia skontrolujte, či napätie zodpovedá napätiu vyskytujúcemu sa v miestnej sieti.
5. Nezakrývajte vetracie otvory novinami, obrusmi, záclonami, atď Uistite sa, že nad prístrojom je aspoň 20 cm voľného priestoru, az každej strany - najmenej 5 cm.
6. Nedovoľte, aby na prístroj kvapkali alebo sa lily tekutiny a nekladte naň predmety naplnené kvapalinami, ako napríklad vázy.

7. Aby nedošlo k poruche alebo k úrazu elektrickým prúdom, nevystavujte zariadenie na horúčavy miesta, na dážď, vlhkosť a prach.
8. Nepokladajte zariadenie do blízkosti zdrojov vody, ako sú kohútiky, vane, práčky alebo bazény. Umiestnite zariadenie na rovný stabilný povrch.
9. Nevystavujte silnému magnetickému poľu.
10. Nekladte zariadenie priamo na zosilňovači alebo prijímači.
11. Nekladte prístroj na vlhka miesta, pretože vlhkosť poškodzuje elektrické súčasti.
12. Prenos zariadení z chladného do teplého prostredia alebo do vlhkého priestoru môže viesť ku kondenzácii vlhkosti na šošovke vo vnútri prehrávača. V takejto situácii, prístroj nebude pracovať správne. Nechajte súčasťou v prístroji po dobu jednej hodiny pre odparovanie vlhkosti.
13. Nečistite zariadenie chemickými rozpúšťadlami, pretože môžu zničiť lak skříně. Prístroj sa čistí čistým suchým alebo mierne vlhkou handričkou.
14. Pri odpájaní zo zásuvky vždy tahajte za zástrčku, nie za kábel.
15. Keď sa zapnutý prístroj používa v blízkosti zapnutého televízora, môže byť zdrojom narušenia obrazu v podobe čiar na obrazovke. Kvalita obrazu závisí na vlnovom pásme TV vysielania. Tento jav neznamená poruchu zariadenia alebo televízora. Vidíte-li tieto čiary, umiestnite prístroj do väčšej vzdialenosti od televízora.
16. Sietová zástrčka sa používa na odpojenie napájania a mala by byť vždy k dispozícii.
17. Ak chcete zachovať laserovú hlavu pre čítanie CD v čistote, nedotýkajte ju a vždy zatvorte zásuvku disku.
18. Počas prehrávania sa disk otáča vysokou rýchlosťou. NEDVÍHAJTE a nepohybujte zariadením počas prehrávania, pretože môže to spôsobiť poškodenie disku alebo samotného zariadenia.
19. Pred presunom prístroja na iné miesto alebo počas sťahovania vyberte disk a zatvorte zásuvku disku. Potom vypnite napájanie a odpojte napájací kábel. Sťahovanie zariadenie s diskom vo vrecku môže byť príčinou poruchy.
20. Po prehraní disk musí byť umiestnený v obale. Nevystavujte disk priamemu slnečnému žiareniu a zdrojom tepla. Nenechávajte dosky vnútri automobilu zaparkovaného na priamom slnku.
21. Nedotýkajte strany disku bez štitku. Držte disk za jeho okraje, nenechajte odtlačky prstov. Prach, odtlačky prstov alebo škrabance na disku môžu spôsobiť poruchy prehrávača. Nepripájajte poznámky alebo pásku na disk.
22. Na čistenie disku použite čistú handričku, ktorá nepúšťa vlákna. Začnite čistenie lineárne od centra na okraj disku, s použitím bežne dostupných čistiacich prostriedkov alebo antistatických prostriedku na gramofónové platne.
23. Ak chcete zabrániť nožnej strate sluchu, nepočúvajte hudbu dlhšiu dobu nahlas.



#### VAROVANIE: ZDROJ ŽIARENIA

CLASS 1 LASER PRODUCT  
LUOKAN 1 LASERLAITE  
KLASS 1 LASERAPPARAT

Toto označenie znamená, že vo vnútri zariadenia sú laserové komponenty. Otvorenie krytu vrecká CD a opomenutie bezpečnostných poistiek vystavuje na laserové žiarenie. Nepozerajte sa do laserového lúča.

#### Pred uvedením do prevádzky

Poznámky: týkajúce sa dosiek CD.

Špinavé, poškodené alebo zdeformované disky môžu spôsobiť poškodenie zariadenia, dajte na nasledujúce:

A. Kompaktné disky, ktoré môžete použiť. Môžete použiť len disky určené nižšie:

B. CD len s digitálnym audio zvukom

COMPACT  
disc  
DIGITAL AUDIO



#### POZNÁMKA

Prehlásenie o zhode

Blaupunkt Competence Center 2N-Everpol Sp. z o.o. týmto prehlasuje, že je toto zariadenie v súlade so základnými požiadavkami a ďalšími príslušnými ustanoveniami smernice 2014/53 / EU. Prehlásenie o zhode je možné získať zo stránky produktu na [www.blaupunkt.com](http://www.blaupunkt.com). Zodpovedná strana: 2N-Everpol Sp. z o.o., Puławska 403A, 02-801 Varšava, Poľsko, Tel: +48 22 331 99 59, E-mail: [info@everpol.pl](mailto:info@everpol.pl)



Naše produkty sú navrhnuté a vyrobené z vysoko kvalitných materiálov a komponentov, ktoré sú recyklovateľné a opäť použiteľné.



Ak je tento symbol preškrtnutého kontajneru uvedený na výrobku, znamená to, že výrobok podlieha smernici 2012/19/EU.

Informujte sa prosím na miestny systém zberu triedeného odpadu pre elektrické a elektronické výrobky. Prosím riadte sa miestnymi pravidlami a nelikvidujte staré produkty spolu s bežným komunálnym odpadom.

Správnu likvidáciu starého výrobku pomôžete predísť možným negatívnym dopadom na životné prostredie a ľudské zdravie.





Výrobok obsahuje batérie podliehajúce smernici 2006/66/EC , ktoré nie je možné vyhadzovať do bežného domáceho odpadu. Informujte sa prosím o miestnych pravidlách zberu batérií, pretože správnu likvidáciou pomôžete predchádzať negatívnym dôsledkom pre životné prostredie a ľudské zdravie.

#### **Informácie týkajúce sa životného prostredia**

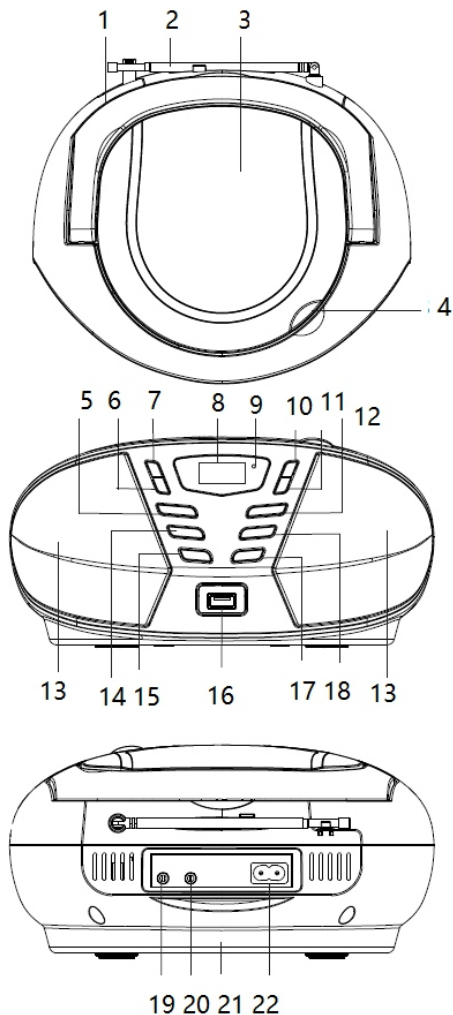
Výrobok je zabalený len v nutnom obale pre jeho ochranu. Snahou našej firmy je, aby bol obalový materiál jednoducho rozdeliteľný na tri materiály: lepenku ( škatuľa ), polystyrén (ochranné balenie) a polyetylen (sáčky, ochranné fólie z odľahčeného plastu). Výrobok sa skladá z materiálov, ktoré je možné recyklovať a znovu použiť v prípade demontáže odbornou firmou. Dodržujte prosím miestne predpisy týkajúce sa likvidácie obalových materiálov, vybitých batérií a starého zariadenia.

Na nahrávanie a prehrávanie materiálov môže byť vyžadovaný súhlas. Viz. Zákon o Copyright Act 1956 a Zákon na ochranu umelcov Sk 1958-1972.

## PREHLIADKA PREHRÁVAČE

### FUNKCIE OVLÁDANIE

1. Sklopná rukoväť
2. Teleskopická anténa pre príjem FM
3. Dvierka CD priehradky
4. Otvorenie dvierok vrecká CD
5. Tlačidlo PROG / MEM / MODE
6. Tlačidlo prechod na predchádzajúcu skladbu / posun späť
7. Tlačidlo prechod na ďalšiu skladbu / posun vpred
8. Indikátor pohotovostného režimu
9. LCD displej
10. Tlačidlo Play / Pause / CH +
11. Tlačidlo Stop
12. Tlačidlo FOLDER/10 +
13. Reprodukory
14. Tlačidlo VOL -
15. Tlačidlo SOURCE
16. Port USB
17. Tlačidlo zapnutia / pohotovostný režim
18. Tlačidlo VOL +
19. Priehradka na batérie
20. Zásuvka napájania AC
21. Jack pre slúchadlá
22. Konektor Aux-IN



## NAPÁJANIE

### Napájanie z batérie

1. Opatrne odstráňte kryt batérie.
2. Vložte 6 batérií "C" (UM-2 alebo ekvivalent) so správnou polaritou.
3. Zasuňte kryt batérie.

### POZNÁMKA:

- Vybité batérie môžu poškodiť priehradku batériu a prehrávač. Vyberte batérie z priehradky, ak sú vybité alebo ak prístroj nebude používaný po dlhú dobu.

### Sieťové napájanie AC

Jednu koncovku napájacieho kábla striedavého napätia zastrčte do zásuvky AC IN v zariadení, a druhú koncovku do el. zásuvky AC. Batérie sa automaticky odpoja.

**POZNÁMKA:** Ak zariadenie pre viac ako hodinu nebude mať žiadny audio signál, automaticky sa prepne do pohotovostného režimu (neplatí pre režim FM Radio).

## FM RADIO

### Ladenie rádiových staníc VKV

1. Indikátor sa rozsvieti, ak je pripojený k sieti. Stlačte tlačidlo zapnutie / pohotovostný režim pre zapnutie zariadenia (indikátor pohotovostného režimu sa vypne).
2. Opakovaným stláčaním tlačidla SOURCE prepnete na FM rádio.
3. Ak chcete spustiť automatické vyhľadávanie staníc, stlačte a podržte tlačidlo prechod na predchádzajúcu skladbu / posun späť alebo prechod na ďalšiu skladbu / vpred po dobu niekoľkých sekúnd, a potom pustíte.
4. Stlačte sa tlačidlo prechod na predchádzajúcu skladbu / posun späť alebo prechod na ďalšiu skladbu / vpred pre ručné naladenie rozhlasových staníc.
5. Nastavte pohodlnú hlasitosť stlačením tlačidla VOL + / -.
6. Stlačte tlačidlo zapnutie / pohotovostný režim pre vypnutie napájania.

### POZNÁMKA:

Teleskopická FM anténa je smerová. Počas rozhlasového vysielania v pásme FM úplne ju vytiahnite a otočte, aby ste získali čo najlepší príjem.

### Programovanie vašich obľúbených rozhlasových staníc

1. Naladte obľúbenú rozhlasovú stanicu a potom stlačte tlačidlo PROG / MEM / MODE tlačidlo pre uloženie aktuálnej stanice až na displeji LCD začne blikať číslo miesta v pamäti.
2. Vyberte číslo pamäťového miesta stlačením tlačidla stop alebo tlačidla play / pause / CH +.
3. Potvrďte svoju voľbu stlačením tlačidla PROG / MEM / MODE.
4. Pri počúvaní rádia stlačte tlačidlo stop/CH- alebo tlačidlo play / pause / CH + pre výber prednastavených staníc.
5. Stlačte 3 sekundy tlačidla prehrávania / pauzy spustíte automatické vyhľadávanie a ukladanie dostupných rozhlasových FM staníc (maximálny počet uložených rozhlasových staníc je 40)

## PREVÁDZKA

### Vkladanie disku

1. Otvorte dvierka CD vrecká
2. Vložte disk do vrecka (potlačenou stranou nahor).
3. Zatvorte kryt CD vrecká.

### Prehrávanie disku (CD/MP3)

1. Stlačte tlačidlo zapnutie / pohotovostný režim pre zapnutie zariadenia (indikátor pohotovostný režim sa vypne).
2. Stlačte tlačidlo SOURCE pre zapnutie CD.
3. Postupujte podľa vyššie uvedených krokov pre načítanie disku.
4. Prehrávač načítá disk.
5. Po úspešnom načítaní disku, prehrávanie sa automaticky spustí od prvej skladby.
6. Stlačte tlačidlo play / pause / CH + pre pozastavenie prehrávania; stlačte znovu tlačidlo play / pause / CH + pre návrat k normálnemu prehrávaniu; stlačte tlačidlo stop/CH- pre zastavenie prehrávania.

### Podpora externého pamäťového zariadenia (USB)

1. Stlačte tlačidlo zapnutie / pohotovostný režim pre zapnutie zariadenia (indikátor pohotovostný režim sa vypne).
2. Pripojte zariadenie USB k portu USB.
3. Stlačením tlačidla SOURCE prepnete do režimu USB.
4. Po detekcii a načítaní obsahu pripojeného USB zariadenia sa prehrávanie automaticky spustí od prvej skladby.
5. Stlačte tlačidlo play / pause / CH + pre pozastavenie alebo obnovenie prehrávania.
6. Stlačte tlačidlo stop/CH- pre zastavenie prehrávania.

### Preskakovanie skladieb a vyhľadávanie konkrétneho miesta na prehrávanie (CD/MP3/USB)

1. Stlačte raz tlačidlo prechod na ďalšiu skladbu / vpred pre prechod na ďalšiu skladbu.  
Na predchádzajúcu skladbu prejdete, keď jedenkrát stlačíte tlačidlo predchádzajúce/prehrávanie dozadu.

2. Stlačte a podržte tlačidlo prechod na predchádzajúcu skladbu / posun späť alebo prechod na ďalšiu skladbu / vpred pre rýchly prechod na konkrétne miesto v piesni.
3. Počas prehrávania raz stlačte tlačidlo FOLDER/10 + pre prechod o 10 skladieb vpred, dvakrát pre prechod o 20 skladieb. Pomocou tohto tlačidla môžete prejsť na poslednú skladbu na disku.

#### **Prechod na predchádzajúcu / nasledujúcu zložku (MP3/USB)**

1. Počas prehrávania stlačte a podržte tlačidlo FOLDER/10 + až číslo priečinka blikne na displeji.
2. Stlačte tlačidlo prechod na predchádzajúcu skladbu / posun späť alebo prechod na ďalšiu skladbu / vpred pre výber požadovanej zložky.
3. Po vysvetlení čísla zložky na displeji stlačte tlačidlo FOLDER/10 + pre potvrdenie.

#### **Opakované prehrávanie (CD/MP3/USB)**

Počas prehrávania stlačte tlačidlo PROG / MEM / MODE pre opakované prehrávanie jednej skladby; stlačte dvakrát pre opakovanie všetkých skladieb; stlačte tlačidlo trikrát pre prehrávanie začiatkov skladieb; stlačte tlačidlo štyrikrát pre prepnutie do režimu náhodného prehrávania; stlačte päťkrát pre vypnutie funkcie.

#### **Programované prehrávanie (CD/MP3/USB)**

1. V režime zastavenia stlačte raz tlačidlo PROG / MEM / MODE, na displeji sa objaví ikona programu, symbol P01, potom bude na displeji naraz blikat číslo a ikona programu.
2. Vyberte prvú skladbu, ktorú chcete naprogramovať stlačením tlačidla prechod na predchádzajúcu skladbu / posun späť alebo prechod na ďalšiu skladbu / vpred; potom stlačte tlačidlo PROG / MEM / MODE pre uloženie a prechod na ďalší krok programovania (ak v pamäti disku MP3 alebo USB je niekoľko zložiek, musíte si najprv naprogramovať zložky, a potom skladby. Spôsob programovania zložiek je rovnaký ako programovaní skladieb).
3. Opakujte vyššie uvedené kroky pre naprogramovanie ďalších skladieb. V pamäti môžete naprogramovať až 20 skladieb v prípade CD a až 99 stôp v prípade MP3/pamäti USB. Je-li pamäť plná, zobrazí sa informácia "PLNÁ".
4. Stlačte tlačidlo play / pause / CH + pre spustenie prehrávania naprogramovaného poradi. Prehrávanie sa zastaví po prehraní všetkých naprogramovaných skladieb.
5. Stlačením tlačidla stop/CH- zastavíte naprogramované prehrávanie. Po zastavení naprogramovaného prehrávania stlačte tlačidlo play / pause / CH + pre spustenie naprogramované prehrávanie v predchádzajúcom poradi; stlačte tlačidlo stop CH-pre zastavenie programu.

#### **AUX vstup**

1. Pripojte externé zariadenie audio káblom - napr MP3 prehrávač - k vstupu AUX IN.
2. Zapnite napájanie zariadenia pomocou nasledujúcich krokov.
3. Stlačením tlačidla SOURCE aktivujete režim AUX.
4. Ovládajte prehrávanie hudby pomocou ovládacích prvkov externého zariadenia.

#### **Konektor pre pripojenie slúchadiel**

V zadnej časti zariadenia je jack pre pripojenie slúchadiel, ktoré umožňujú počúvanie hudby, bez toho aby ste rušili ostatných v okolí. Pripojte náhlavnú súpravu / slúchadlá (NIE SÚ súčasťou sady) a nastavte požadovanú úroveň hlasitosti.

POZNÁMKA: Pripojením externých slúchadiel sa odpoja reproduktory.

Upozornenie: Dlhotrvajúci počúvanie hlasnej hudby cez slúchadlá môže spôsobiť poškodenie sluchu.

#### **ŠPECIFIKÁCIA**

**Výstupný výkon:** 1,2 W x 2, THD 10%

**FM rádio s PLL:** 87,5 - 108 MHz

**USB:** USB verzia 2.0

**Spotreba energie v pohotovostnom režime:** <0,5 W

**Zdroj el. napätia:** AC IN, 230 V ~ 50 / 60Hz

**Výkon batérií:** 6 x UM2 batérie (nie sú súčasťou sady).

## Informácie o nakladaní s elektronickým zariadením



Označenie na zariadenie a v priloženej dokumentácii znamenajú, že zariadenie nesmie byť likvidované spoločne s netriedeným komunálnym odpadom. Vyhadzovanie elektroodpadov do popolnice je riziko pre životné prostredie. Triedenie, spracovanie, využitie, recyklácia a likvidácia elektroodpadov pomáha chrániť životné prostredie pred znečistením a kontamináciou, pomáha znížiť využívanie prírodných zdrojov a znižuje náklady na výrobu nových zariadení.

Za účelom zistenia podrobnosti o najbližšom zbernom mieste kontaktujte predajcu alebo spoločnosť Blaupunkt Competence Centre, 2N-Everpol Sp. s oo, ul.Puławska 403A, 02-801 Varšava, tel +48 22 331 9959, e-mail: [info@blaupunkt-audio.pl](mailto:info@blaupunkt-audio.pl)

V prípade otázok alebo problémov, obráťte sa na naše služby.

Všetky práva vyhradené. Všetky obchodné značky sú registrovanými ochrannými známkami ich príslušných vlastníkov. Údaje a špecifikácie sa môžu zmeniť bez predchádzajúceho upozornenia.

**FONTOS BIZTONSÁGI UTASÍTÁSOK**


**FIGYELEM!**  
ÁRAMÜTÉS VESZÉLYE  
NE NYISSA KI!


**Figyelem:**

Az áramütés kockázatának csökkentése érdekében, ne távolítsa el a fedelet vagy hátra alkatrészeket. A készülékben nincs felhasználó által javítható alkatrészek. Forduljon képzett szakemberhez

**A szimbólumok magyarázata:**


Villám szimbólum elhelyezett egyenlő oldalú háromszögben figyelmezteti a felhasználót a szigetetlen "veszélyes feszültségre" a készülékben, amely elérheti a fenyegető áramütés méretét.ü



Felkiáltójel szimbólum elhelyezett egyenlő oldalú háromszögben figyelmezteti a felhasználót, hogy most az üzemeltetési és karbantartásról információk megjelennek a dokumentációban, a készülékhez hozzáadott.

Kérjük, figyelmesen olvassa el az alábbi biztonsági utasításokat, és ezeket a későbbiekben felmerülő kérdések esetére is tartsa meg. Vegye figyelembe a használati utasításban és a készülék hátoldalán található figyelmeztetéseket és utasításokat.

**Fontos információk**

- Tartsa meg a használati útmutatók későbbi kérdések esetében
- Kerülje a készülék vízzel vagy nedvességgel történő érintkezését
- Ne telepítse a készüléket az alábbi helyeken:
- Kerülje a berendezés közvetlen napfényvel vagy szokatlanul sok porral történő érintkezését.
- Ne helyezzen semmilyen más melegítő készülékek a berendezés mellett.
- A készülék helye ne legyen folyamatosan rezgő helyeken.
- A készülék helye ne legyen magas páratartalmú helyiségben.
- Ne helyezzen nyílt láng vagy gyertyák mellett.
- Berendezések csak kézikönyv szerint használható.
- A berendezés bekapcsolása előtt, győződjön meg róla, hogy az áramellátás megfelelően csatlakozik.
- USB memóriát közvetlenül bekapcsolható, 25 cm-es kábellel.

A hátoldalán és a készülék oldalán található légnyelások maradjanak szabadon. Soha ne próbálja meg a hibás készüléket megjavítani, minden esetben forduljon ügyfélszolgálatához. Ne nyissa fel a készüléket - ezt csak szakember teheti meg.

**BIZTONSÁGI UTASÍTÁSOK**

1. Olvassa el az utasításokat - figyelmesen olvassa el a biztonsági utasításokat.
2. Tartsa meg az útmutatót - későbbiekben felmerülő kérdések esetére tartsa meg a biztonsági utasításokat.
3. Vegye figyelembe a figyelmeztetéseket - Vegye figyelembe a használati figyelmeztetéseket és utasításokat.
4. Vegye figyelembe az utasításokat - Vegye figyelembe a használati figyelmeztetéseket és utasításokat.
5. Üzembevétel - Utasítások szerint ügyeljen.
6. Áramforrás - A készüléket csatlakoztassa csak a normál hálózati feszültséghez. Ha a felhasználó nem biztos abban, milyen típusú tápegysége van a házban, akkor forduljon a forgalmazóhoz vagy a helyi áramszolgáltatóhoz.
7. Földelés vagy teljesítmény polarizációja – a földelésre nincs szükség. Győződjön meg arról, hogy a csatlakozó teljesen be van helyezve a fali csatlakozóba vagy kiterjesztésbe. A berendezés egyes verziói egy polarizált csatlakozója van (az egyik pótlus szélesebb). Ez a dugó lehet illeszteni a fali aljzatba csak egyféleképpen. Ez egy biztonsági funkció. Ha nem lehet bedugni a dugót a konnektorba, próbálja fordítani őt. Ha a dugó még mindig nem illeszkedik az aljzatba, forduljon villanyszerelőhöz, hogy cseréltesse ki. Ne távolítsa el a biztonságot a polarizált dugóról. Amikor használ hosszabbítót vagy a hálózati kábel ami nem mellékelte a készülékhez, megfelelő dugaszolhatóra és az adott országban biztonsági ellenőrzésre szüksége van.
8. Tápkábel biztosítása - Úgy helyezze el a hálózati kábelt, hogy abban senki ne botoljon meg. Fordítson különös figyelmet a dugaszolhatóra, a hálózati csatlakozóra és ezekre a helyekre ahol a kábelek vezetnek ki a készüléket.
9. Túlterhelés - ne terhelje túl a konnektorokat, hosszabbítót, és elektromos elosztók, mivel ez tüzet vagy áramütést okozhat.
10. Szellőzés - A készüléket szellőztetni kell. Ne tegye a készüléket puha felületre, pl. takaróra, szőnyegre vagy függönyök, falikárpit közelébe, mert a szellőző nyílások takarásba kerülhetnek, ezáltal a szükséges levegőcsere nem valósul meg.
11. Hőség - Ne helyezze a készüléket fűtőtestek vagy más hőt sugárzó források közelébe. Kerülje a berendezés közvetlen napfényvel. Nyílt láng, például gyertyák ne kerüljenek a készülékre.
12. Víz és nedvesség - Tűzveszély és egy esetleges áramütés elkerülése végett, a készüléket ne tegye ki esőnek vagy nedvességnek. A berendezést ne használja fürdőkádak, úszómedencék vagy fröcskölő vízfórással közelében.
13. Tárgyak és folyadékok a készülék - Idegen tárgyak nem tegyen be a készülékbe mert feszültség alatt lévő pontokat és alkatrészeket érinthetnek, ami tüzet vagy áramütést okozhat. Ne helyezzen folyadékkal telt tárolóedényeket a készülékre.
14. Tisztítás - A tisztítás előtt mindig húzza ki a készüléket a fali csatlakozóból. Port száraz ruhával távolítsa el. Ha a tisztításhoz aeroszolt használ, ne irányítsa közvetlenül a készülékre, de a ruhára. Ügyeljen arra, hogy ne sértse meg a meghajtó egységeket.
15. Kiegészítő berendezések - Ne használjon olyan tartozékokat, amelyek nem a gyártó által jóváhagyott, mivel azok veszélyt jelentenek.
16. Tartozékok - Ne helyezze a készüléket instabil kocsira, állványra, konzolra vagy asztalra. A készüléket megsérülheti és súlyos sérülést okozhat egy gyermek vagy egy felnőtt számára. Csak a gyártó által jóváhagyott vagy készülékkel eladott kocsit, állványt, konzolt vagy használható. A készüléket gyártói útmutató szerint felszerelhető.

17. A berendezés áthelyezése - a kocsin levő készüléket nagyon óvatosan mozdulni kell. Gyors fékezés, túlzott erőltetés és az egyenetlen felületek miatt felborulhat a készülék.
18. A berendezést nem használata - Ha a berendezést hosszabb ideig nem használja, áramtalanítsa azt.
19. Szervíz - Soha ne próbálja meg a hibás készüléket megjavítani, minden esetben forduljon ügyfélszolgálatához. Ne nyissa fel a készüléket - ezt csak szakember teheti meg. A karbantartási munkákat hagyja szakképzett személyzetre. Egyéb esetekben magát és másokat is veszélyeztet.
20. Ha a berendezést hosszabb ideig nem használja, áramtalanítsa azt. Ha a készülék csatlakoztatva van egy áramforráshoz, ez készenléti üzemmódban, és nem teljesen kizár.
21. Pótalkatrészek - Alkatrészek cseréjekor ellenőrizze, hogy a szolgálati munkavállaló használt pótalkatrészeket a gyártó által meghatározott, vagy ugyanilyenek, mint az eredeti rész. Nem engedélyezett részek esetében tűz, áramütés vagy egyéb veszély veszélyes van.
22. Főbiztosítékok - Állandó készülék biztosításához megfelelő típusú és paraméterű biztosítókat használni kell. Biztosítékok paramétereit a készüléken vannak.
23. Ne növelje a hangerőt a kis hangerőjű dal vagy a bemenő audiojel hiányában mellett. Ellenkező esetben maradandó halláskárosodáshoz vezethet.
24. A villázzal történő kicsatlakoztatáshoz a villás dugót teljesen nyomja ki a konnektorból. A aljzat vagy kábel bemeneti teljesítmény a készülék mindig elérhetőnek kell lenni a használat során a termék.
25. A készüléket a konnektor vagy hosszabbító közelében el kell helyezni, oly módon, hogy mindig rendelkezésre áll.
26. A készülék maximális környezeti hőmérséklete 35 °C.
27. Irányelvek az elektrosztatikus kislésről - ha a készülék működése zavarban van az elektrosztatikus kislés miatt, ki kell kapcsolni és újrapcsolni vagy más helyre mozdulni.
28. Elem
  - a. Ne helyezze a készüléket fűtőtestek vagy más hő sugárzó források közelébe. Kerülje a berendezés közvetlen napfényel.
  - b. Az akkumulátor kidobása alatt, fordítson figyelmet a környezetvédelemre.
  - c. Vigyázat elemek használatára vonatkozó: annak érdekében, hogy megakadályozza az elem szivárgását amely sérülést vagy kárt okozhat:
    - az elemek elhelyezése alatt, fordítson figyelmet a polaritásra (+ és -)
    - ne használjon különböző elemeket egyszerre - régi és új normál és alkalikus stb.
    - Vegye ki az elemeket a készülékből, ha nem használja hosszabb időre.

#### ERP2-ről megjegyzések (energiával kapcsolatos eszközök)

Ez a készülék öko projekttel megfelel a 2. szakasz bizottsági rendelet (EC) No 1275/2008 irányelvet átültető 2009/125/EK energiafogyasztásról a fogyasztókkal élő és működő készenléti üzemmódban elektronikus eszközökről iródban és házban. 15 perc a bevételi jel nélkül után, a készülék automatikusan készenléti üzemmódba átkapcsol. Információk a normál működésbe helyezéséről az útmutatóban megtalálható.

#### Fontos információk

Ez a készülék fel van szerelve egy energiatakarékos üzemmóddal: 15 perc a bevételi jel nélkül után, a készülék automatikusan készenléti üzemmódba átkapcsol (ERP2 szabvány). Meg kell jegyezni, hogy az alacsony hangerő az lehet ismerni "nincs hangként": ez befolyásolhatja a jel elismerésére és automatikusan készenléti üzemmódba kapcsolására. Ebben az esetben vissza kell állítani az audiojel adása vagy növelni a hangerőt a hangforrásban (MP3-lejátszó, stb). Ha a probléma továbbra is fennáll, lépjen kapcsolatba a helyi márkaszervizzel.

#### FIGYELEM

A készüléket nem használhatják olyan személyek (beleértve a gyerekeket), akik testi, érzékszervi vagy szellemi fogyatékoságtól szenvednek és az elégtelen tudás és tapasztalatú is, ha a felelős személy nem felügyeli és nem kapta meg elég információt a készülékről. Felnőttek jelenléte szükséges van ha a gyerekek használják a készüléket. Ez biztosítja a biztonságos használatát.

1. Soha ne hagyja a gépet felügyelet nélkül! Kapcsolja ki készüléket, ha nem használ, bár egy rövid ideig.
2. Ne használja a készüléket egy külső órajel időzítővel, vagy egy külön távvezérlő rendszerrel.
3. Kockázatokan elkerülése érdekében a tápkábel megsérülése esetében, a cserét gyártónak kell végezni, meghatalmazott szolgáltató, vagy más személy aki rendelkezik megfelelő képesítéssel.
4. Mielőtt használatba venné a készüléket, ellenőrizze, hogy a hálózati feszültség megegyezik a feszültséggel előforduló helyi hálózatban.
5. Ne tegye a készüléket puha felületre, pl. takaróra, szőnyegre vagy függönyök, falikárpit közelébe, mert a szellőző nyílások takarásba kerülhetnek, ezáltal a szükséges levegőcsere nem valósul meg. Győződjön meg arról, hogy a készüléktől legalább 20 cm szabad hely, és a két oldalán - legalább 5 cm-t.
6. Amennyiben a készülékbe idegen anyag, test vagy folyadék kerül, ne helyezzen folyadékkal telt tárolóedényeket, pl. virágvizet a készülékre.
7. Tűzveszély és egy esetleges áramütés elkerülése végett, a készüléket ne tegye ki esőnek vagy nedvességnek.
8. A berendezést ne használja fürdőádkád, úszómedencék vagy fröcskölő vízforrás közelében. Tartsa meg stabil helyeken.
9. Ne tegye ki erős mágneses mezőbe.
10. Ne helyezze a készüléket közvetlenül az erősítőn vagy vevőn.
11. Ne helyezze a készüléket párs helyen, mert a nedvességnek hátrányos hatása van az elektromos alkatrészekre.
12. A készülék hozása a hideg helyről meleg vagy nedves helyre páralecsapódás a lencsén a lejátszó belsejében történhet. Ebben az esetben a készülék nem helyesen működhet. Hagyja a gépet bekapcsolva körülbelül egy óráig, hogy lehetővé tegye a nedvesség párolgást.
13. Ne tisztítsa a készüléket kémiai oldószerekkel, a készülék lakk megsemmisítése miatt. Az eszköz tiszta, száraz vagy enyhén nedves ruhával tisztítható.

14. A konnektorból történő kihúzás esetén ne a kábelt, hanem a villásdugót húzza ki.
15. A készülék működik a bekapcsolt tévé mellett, ez a zaj a képernyőn forrása lehet. A TV adás hullámaintól függő. Azt nem jelenti hibás se tévé se rádió működését. Ebben az esetben távolítsa a készüléket a tévétől.
16. A hálózati csatlakozó a hálózatról kihúzásához használható. Fontos, hogy mindig elérhető.
17. Annak érdekében, hogy a lézerfej tiszta legyen, nem szabad érinteni és mindig be kell zárni a lejátszószózbát.
18. Lejátszás közben a lemez nagy sebességgel forog. NEM SZABAD felemelni vagy mozdulni a készüléket a lejátszás alatt. Ez károsíthatja a lemezt, vagy az eszközt.
19. A készülék mozgatása előtt ki kell venni a lemezt és bezárni a lejátszószózbát. Ezután kapcsolja ki a készüléket, és húzza ki a tápkábelt. A készüléket, a lemezzel bent, károsíthatja a lemezt és a készüléket.
20. A lemez lejátszása után helyezze el a csomagban. Ne tegye ki a lemezt közvetlen napfényre és hőforrásra. Ne hagyja lemezeket egy parkolt autó belsejében.
21. Ne érintse meg a címke nélküli lemez oldalát. A lemezt a szélénél fogja, hogy ne hagyja ujjlenyomatokat. Por, ujjlenyomatok, karcolások üzemzavart okozhatnak. Ne szereljen cetliket vagy szalagot a lemezen.
22. Az lemez tiszta, száraz ruhával tisztítható. Úgy kezdődik tisztítás lineárisan a városközponttól.
23. Hogy megakadályozzák az esetleges halláskárosodást, ne hallgass hangosan zenét egy hosszú ideig.



#### FIGYELEM: SUGÁRZÁS FORRÁSA

CLASS 1 LASER PRODUCT  
LUOKAN 1 LASERLAITE  
KLASS 1 LASERAPPARAT

Ez a címke azt jelenti, hogy a készülék belsejébe lézerek vannak. A fedelet megnyitása a biztonsági blokkolókulcs segítségével, sugárzó veszélyt okozhat. Ne nézzen a lézerek sugárjára működés közben.

#### KÉSZÜLÉK BEKAPCSOLÁSA ELŐTT

Megjegyzések: kompaktlemezről

Mivel a piszkos, sérült vagy deformálódott lemezeket károsíthatják a készüléket, fordítson figyelmet az alábbiakra:

- a. Kompaktlemez amelyeket használni lehet. Csak lent említett lemezek használhatóak.
- b. Csak digitális audióval lemezek.

COMPACT  
**disc**  
DIGITAL AUDIO



#### FIGYELEM

Megfelelőség

A Blaupunkt Competence Center 2N-Everpol Sp. z o.o. kijelenti, hogy ez a készülék megfelel a 2014/53/EU irányelv alapvető követelményeinek és más vonatkozó rendelkezéseinek. A megfelelőségi nyilatkozatot a termék honlapjáról szerezhető be: [www.blaupunkt.com](http://www.blaupunkt.com).

Felelős fél: 2N-Everpol Sp. z o.o., Puławska 403A, 02-801 Varsó, Lengyelország, telefon: +48 22 331 99 59, e-mail: [info@everpol.pl](mailto:info@everpol.pl)



A termék kiváló minőségű anyagokból és alkatrészekből áll, újrahasznosíthatók és újra felhasználhatók.



Ha a készüléken az áthúzott szeméttároló van, azt jelenti, hogy a termék 2012/19/WE számú európai uniós irányelv megkívánja. Kérjük, olvassa el a követelmények a helyi rendszerről a hulladék elektromossal és elektronikus berendezésekkel kapcsolatban. Helyi követelmények szerint csinálni kell. Ne dobja a terméket a normál háztartási szeméttel. Megfelelő a régi termék ártalmatlanítása segít megelőzni a lehetséges negatív következményeket a környezetre és az emberi egészségre.





A készülék fel van szerelve akkumulátorral ami megfelel a 2006/66/EK európai irányelv követelményeinek. Ne dobja az elemet a normál háztartási szeméttel. Kérjük, olvassa el a követelmények a helyi rendszerről a hulladék elektromossal és elektronikus berendezésekkel kapcsolatos. Helyi követelmények szerint csinálni kell. Ne dobja a terméket a normál háztartási szeméttel.

**Információk a környezetvédelemről**

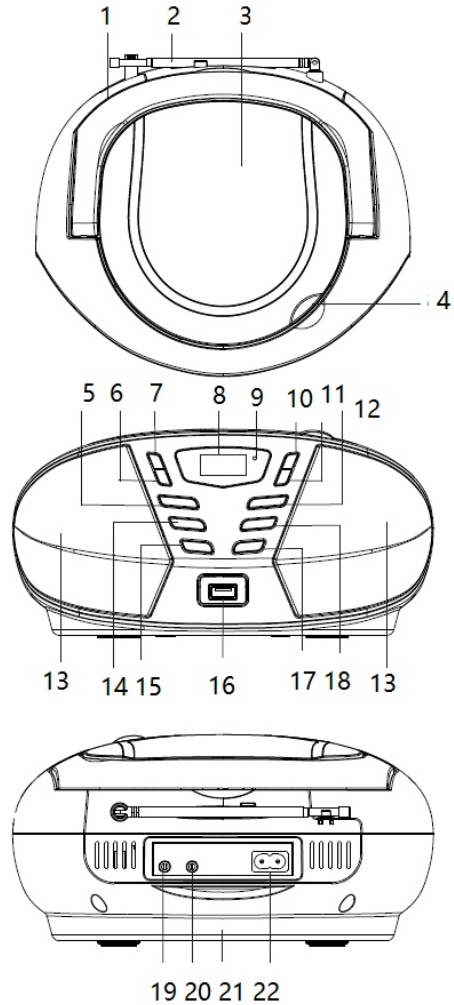
A csomag csak a szükséges elemeket tartalmaz. Minden erőfeszítést tettek, hogy a csomagolóanyag három összetevője könnyen elkülönített legyen: karton (doboz), polisztirol (belső biztonság) és polietilén (zacskó, védő lap). A készülék olyan anyagból készült, melyek újrahasznosíthatók és szétszerelhetőek. Kérjük, olvassa el a követelmények a helyi rendszerről a hulladék elektromossal és elektronikus berendezésekkel kapcsolatos.

Felvételhez és lejátszáshoz engedélyre van szükség. Lásd a szerzői jogi törvényt, valamint az előadók / művészek jogairól.

## Hordozható rádió

### Készülék elemei

1. Összecsukható fogantyú
2. Teleszkópos antenna FM
3. CD nyílás ajtaja
4. CD nyílás nyitása
5. PROG/MEM/MODE gomb
6. CD-szám választása, keresés előrefelé
7. CD-szám választása, keresés visszafelé
8. Készenlét jelző
9. LCD kijelző
10. CD lejátszás indítása/megszakítása
11. Leállítás gomb/CH-
12. FOLDER/10+ gomb
13. Hangszórók
14. VOL+ gomb
15. SOURCE gomb
16. USB port
17. CD lejátszás indítása/megszakítása
18. VOL- gomb
19. Elemtartó
20. AC tápaljzat
21. Fejhallgató csatlakozója
22. AUX IN csatlakozó



## ÁRAMELLÁTÁS

### Akkumulátor töltöttség

1. Óvatosan távolítsa el az akkumulátor fedelét.
2. Helyezze 6 "C" elemet (UM-2 vagy azzal egyenértékű), a helyes polaritással.
3. Helyezze vissza az akkumulátor fedelét.

### Figyelem

- Lezártan elem károsíthatja az akkumulátort, és a lejátszót. Ezért, vegye ki az elemeket a tartóból, amikor lemerültek, vagy ha a készüléket nem használja hosszabb ideig.

### Hálózati áramellátás AC

Csatlakoztassa a váltakozó áramú tápkábel végét a készülék AC IN aljzatához, a másik végén található dugót pedig fali AC aljzathoz. Az akkumulátorok automatikusan lecsatlakoztatásra kerülnek.

### Figyelem

Ha a készülék több mint egy óra nem kap semmilyen audio jelet, akkor automatikusan készenléti üzemmódba átkapcsol (ez nem vonatkozik a FM rádió módban).

## FM RÁDIÓ

### A rádió használata

1. Jelző bekapcsol a hálózati tápegység csatlakoztatása után. Nyomja meg a be / készenlét mód gombra, hogy kapcsolja be a készüléket (készenléti üzemmód jelző kikapcsol).
2. Nyomja meg a SOURCE gombra a FM-rádióhoz.
3. Az automatikus rádiófrekvenciakeresés indításához nyomja meg és tartsa lenyomva a szémválasztási gombot néhány másodpercig majd engedje el.
4. A manuális rádiófrekvenciakereséshez nyomja meg a számválasztási gombot.
5. Állítsa be a kellemes hangerőt VOL + / - gombbal.
6. Nyomja meg a be / készenlét mód gombra a készülék kikapcsolásához.

### Figyelem

Teleszkópos FM antenna nem rögzített. A FM rádió hallgatáskor teljesen húzza ki és fordítsa az antennát a legjobb vételhez.

### Kedvenc rádióállomások programozása

1. Elsősorban állítsa be a kedvenc rádiófrekvenciát és nyomja meg PROG / MEM / MODE gombot, hogy elmentse az aktuális frekvenciát ami a LDC kijelzőn látható – a memória száma villog.
2. Válassza ki a memóriahely számát lejátszás indítása/megszakítása/CH+ gombbal.
3. Erősítse meg a választást PROG / MEM / MODE gombbal.
4. Rádió hallgatáskor nyomja meg a leállítás /CH- vagy indítása/megszakítása/CH+ gombra a elmentett rádióadót választásához.
5. majd az elérhető FM rádiócsatornák automatikus kikereséséhez és elmentéséhez nyomja meg 3 másodpercig a lejátszás / szünet gombot(maximum 40 rádiócsatorna menthető el)

## A KÉSZÜLÉK HASZNÁLATA

### A CD behelyezése

1. Nyissa ki a CD ajtót, megnyitó tartva.
2. Helyezze be a CD-t a lejátszószobában (címkével felfelé).
3. Zárja le a fedelet.

### CD lejátszása (CD/MP3)

1. Ha el szeretné indítani a lejátszást, nyomja meg egyszer a PLAY/PAUSE gombot.
2. Nyomja meg SOURCE gombot a CD mód változásához.
3. Helyezze be a CD-t a lejátszószobában, mint fent leírt.
4. A lejátszó elkezd olvasni a lemezt.
5. Miután sikeresen beolvassa a lemezt, a lejátszás automatikusan elindul az első számtól.
6. Nyomja meg a indítása/megszakítása/CH+ gombot a lejátszás szüneteltetéséhez; nyomja meg a gombra még egyszer a normál lejátszáshoz; nyomja meg a leállítás /CH- gombot a lejátszás leállításához.

### Külső tárolóeszköz használata (USB)

1. Nyomja meg a be / készenlét mód gombra a készülék bekapcsolásához (készenlét mód jelzője kikapcsol).
2. Csatlakoztassa az USB eszközt a USB-porthoz.
3. Nyomja meg SOURCE gombot a USB mód változásához.
4. Miután sikeresen beolvassa a tárolóeszközt, a lejátszás automatikusan elindul az első számtól
5. Nyomja meg a indítása/megszakítása/CH+ gombot a lejátszás szüneteltetéséhez; nyomja meg a gombra még egyszer a normál lejátszáshoz.
6. Nyomja meg a leállítás /CH- gombot a lejátszás leállításához.

### Számok átugrása, és egy adott helytől lejátszása (CD/MP3/USB)

1. Nyomja meg a CD-szám választása, keresés előrefelé vagy visszafelé gombot a következő vagy előző szám választásához. Az előző zeneszám lejátszásához nyomja meg egyszer az előző zeneszám kiválasztó / hátratekerő gombot.
2. Nyomja meg hosszan a CD-szám választása, keresés előrefelé vagy visszafelé gombot a következő vagy előző szám választásához.
3. A lejátszás alatt nyomja meg egyszer FOLDER/10+ gombot, hogy 10 szám előrefelé lépjen vagy kétszer, hogy 20 szám előrefelé lépjen. Ezzel a gombbal az utolsó számig a lemezen mehet.

**Következő/előző folderhez átugrása (MP3/USB)**

1. A lejátszás alatt nyomja meg és tartsa a FOLDER/10+ gombot ameddig mappaszám villog a kijelzőn.
2. Nyomja meg a CD-szám választása, keresés előrefelé vagy visszafelé gombot a kívánt mappa kiválasztásához.
3. A szám megjelenése után nyomja meg a FOLDER/10+ gombot megerősítéséhez.

**Lejátszás ismétlésével (CD/MP3/USB)**

A lejátszás alatt nyomja meg a PROG/MEM/MODE gombot egy szám ismétléséhez. Nyomja meg kétszer minden szám ismétléséhez. Nyomja meg háromszor a számok elejét lejátszásához. Nyomja meg négyszer véletlen sorrendű módba választásához. Nyomja meg ötszer a funkció befejezéséhez.

**A programozás funkció használata**

1. Leállított módban nyomja meg egyszer a PROG/MEM/MODE gombot a kijelzőn villog a „01” felirat és a LCD kijelzőn villog a szám és program ikonja.
2. Válassza ki a keresés előrefelé /visszafelé gombok segítségével, az elsőnek beprogramozni kívánt számot és majd PROG/MEM/MODE gombot a szám megerősítéséhez. Mappák programozása ugyanúgy néz ki mint a számok programozása.
3. Ismételje meg a fenti lépéseket a több műsorszámok programozásához. A programozás-funkció használatával maximum 20, egy adott zene-CD-n található számokat tartalmazó lejátszási sorrendet is 99 MP3 vagy USB esetében alakíthat ki. Ha a memória megtelt, a "FULL" információ megjelenik.
4. Nyomja meg az indítása/megszakítása/CH+ gombot, hogy indítsa el a lejátszást a programozott sorrendben. A az összes beprogramozott számok lejátszása utána lemez leáll.
5. Nyomja meg az indítása/megszakítása/CH- gombot, hogy programozott lejátszás leállításához. A leállításához után nyomja meg az indítása/megszakítása/CH+ gombot a programozott lejátszás megkezdéséhez előző sorrendben; Nyomja meg az indítása/megszakítása/CH- gombbal törölhetsz kívánt a programot.

**AUX bejárat**

1. Csatlakoztassa a külső audio kábellel – pl. MP3 lejátszót – AUX IN bejáratához.
2. Kapcsolja be a készüléket.
3. Nyomja meg a SOURCE gombot, AUX mód bekapcsolásához.
4. Szabályozza a zeneszámok lejátszását a külső eszközből.

**Fejhallgató csatlakoztatása**

A berendezés hátoldalán a fejhallgató csatlakozójzata van, amely lehetővé teszi a zenét hallgatását anélkül, hogy zavarjon másokat a környezetben. Csatlakoztassa a headsetet / fülhallgatót (a készlet nem tartalmazza) és állítsa be a kívánt hangerőt.

FIGYELEM: Külső fejhallgató csatlakozása kikapcsolja a hangszórókat.

VIGYÁZAT: A túl magas hangerő, főleg fejhallgató esetén halláskárosodáshoz vezethet.

**TECHNIKAI ADATOK**

**Kimenő teljesítmény:** 1,2 W x 2, teljes harmonikus torzítás 10%

**Rádió, Vételi frekvenciák:** 87,5–108 MHz

**USB:** USB 2.0 verzió

**Áramellátás:** AC IN, 230 V ~ 50 / 60Hz

**Elemfeszültség:** UM2 x 6 (a készlet elemeket nem tartalmazza)

## Elektromos és elektronikus hulladékkezelési utasítások



Az áthúzott kerekes kuka jel, azt jelenti, hogy az elektromos és elektronikus berendezéseket nem szabad valamint a kommunális hulladékkal kidobni. Egy veszélyt jelent a környezetre a kontenerbe kidobása. A használt elektromos és elektronikus hulladék rendezése és a múltó feldolgozásának, hasznosításának, újrahasznosításának és ártalmatlanításának köszönhetően segít csökkenteni a természeti erőforrások kihasználását és új készülék termelési költségeket.

Részletek információk a legközelebbi kijelölt gyűjtőhelynél beszerezhető vagy közvetlenül az eladónál Blaupunkt Competence Centre, 2N-Everpol Sp. z o.o., ul.Puławska 403A, 02-801 Varsó, tel. +48 22 331 9959, email: [info@blaupunkt-audio.pl](mailto:info@blaupunkt-audio.pl).

**VAŽNE SIGURNOSNE UPUTE**

**OPREZ**



UGROŽENJE OD ELEKTRIČNOG  
UDARA NEMOJTE OTVARATI

**Oprez:**

Kako bi se smanjila opasnost od električnog udara, nemojte skidati poklopac niti stražnj dio uređaja. Unutar uređaja ne postoje komponente za popravak od strane korisnika. Održavanje i popravak opreme izvršava isključivo kvalificirano servisno osoblje.

**Objašnjenje grafičkih simbola:**

Simbol munje sa sa strelicom koji se nalazi u jednakostraničnom trokutu upozorava na prisutnost neizoliranog, opasnog napona unutar kućišta uređaja koja može postići veličinu uzrokujuću strujni udar.



Uskličnik unutar jednakostraničnog trokuta upozorava korisnika da ovdje su prezentirane važne poruke za rad i održavanje opreme u dokumentaciji priloženoj uređaju.

Pročitajte ovaj priručnik prije uporabe uređaja da se upoznate sa značajkama i kako koristiti uređaj sukladno namjeni. Ovo će osigurati dugotrajan, besprijekoran rad uređaja i zadovoljstvo uz korištenje.

**Važne informacije**

- Sačuvajte operativne upute i sigurnosne informacije kako bi se ih moglo koristiti u budućnosti.
- Nemojte dopustiti da na uređaj kapa ili proliva se bilo koja tekućina.
- Ne smijete se također koristiti na vlažnim mjestima, kao što su npr. kupaonica.
- Ne postavljajte uređaj na sljedećim mjestima:
- Izložen suncu ili blizu grijalica.
- Na vrh druge stereo opreme koja generira toplinu.
- Tako da blokira ventilaciju ili u prašnjavom mjestu.
- U okruženju izloženom neprekidnim vibracijama.
- U područjima visoke vlage.
- Ne postavljajte uređaj blizu otvorenog plamena ili otvorene vatre.
- Uređaj se može koristiti samo na način opisan u ovim uputama.
- Prije prvog uključivanja napajanja, pobrinete se da je napajanje ispravno pripojeno.
- USB memoriju se pripaja neposredno ili preko produžnog USB kabela s dužinom do 25 cm.

Iz sigurnosnih razloga, nemojte skidati poklopce ili pristupiti unutrašnjosti uređaja. Uređaj smije popravljati samo kvalificirano servisno osoblje.

Nemojte rastavljati uređaj ili otvarati njegovo kućište, jer unutra nema dijelova koje bi se moglo popraviti od strane korisnika. Ržavanje i popravak opreme izvrši isključivo kvalificirano servisno osoblje.

**Sigurnosne upute**

1. Pročitajte upute - prije uporabe stroja, pročitajte sve upute i informacije o sigurnosti.
2. Sačuvajte ove upute - zadržite upute za upotrebu i održavanje kako bi se ih moglo koristiti u budućnosti.
3. Poštujte upozorenja - slijedite sva upozorenja objavljena na uređaju te koje se nalaze u uputama.
4. Slijedite upute - slijedite upute i preporuke za korisnike.
5. Montaža - montirajte uređaj prema uputama proizvođača.
6. Izvori energije - uređaj treba napajati samo iz izvora koji je naveden na naljepnicama na kabelu napajanja. Ako niste igurni koju vrstu napajanja ima vaša kuća, obratite se prodavatelju ili lokalnoj energetskoj tvrtki.
7. Uzemljenje ili polarizacija napajanja - uređaj ne mora biti uzemljen. Provjerite je li utikač potpuno umetnut u utičnicu ili u produžni kabel, kako bi se spriječio otkriće igle ili kontakata. Neke verzije stroja mogu biti opremljene polariziranim utikačem izmjenične struje (jedna lopatica je šira). Ovaj utikač se može umetnuti u utičnicu samo na jedan način. Ovo je sigurnosna značajka. Ako ne možete staviti utikač u utičnicu, pokušajte ga okrenuti. Ako utikač i dalje ne odgovara utičnici, pozovite električara da to promijeni. Ne skidajte zaštitu polariziranog utikača. Kada koristite produžni kabel ili kabel za napajanje osim isporučenog s uređajem morate imati odgovarajuće čepove i potvrdu o sigurnosti potrebnu za određenu zemlju upotrebe.
8. Osiguranje kabela za napajanje - energetski kabeli moraju biti preusmjereni na takav način kako ne bi se moglo kroz njih hoditi, pritiskivati ili obrezivati bilo kojim postavljanim objektima. Obratite posebnu pozornost na utikače, utičnice i mreže, gdje kabeli izlaze iz uređaja.
9. Preopterećenja - nemojte preopteretiti zidne utičnice, produžne kabele i električne distributere, jer ovo baš može dovesti do požara ili strujnog udara.
10. Ventilacija - uređaj mora biti pravilno provjetran. Ne postavljajte uređaj na krevet, kauč ili drugu sličnu površinu. Nemojte prekrivati stroj stolnjakom, salvetom, novinama i sl.
11. Vrućina - nemojte postavljati uređaj u blizini izvora topline kao što su grijači, radijatori, peći i ostali uređaji (pojačala) koji stvaraju toplinu. Ne stavljajte na uređaj upaljenih svijeća i drugog otvorenog plamena.
12. Voda i vlaga - kako bi se smanjio rizik od požara ili električnog udara, nemojte izlagati uređaj kiši, vlazi i vodi, na primjer u sauni ili u kupaonici. Ne koristite ovaj proizvod u blizini vode, primjerice blizu kade, umivaonika, sudopera ili kade za pranje rublja, u vlažnom podrumu ili blizu bazena (ili u drugim sličnim mjestima).

14. Čišćenje - uvijek prije čišćenja isključite uređaj iz zidne utičnice. Prašinu oko zvučnika se može ukloniti suhom krpom. Ako za čišćenje će se koristiti sredstvo u obliku aerosola, sprej ne bi se smjelo da bude usmjeren izravno na stroj, ali tkaninu. Budite oprezni da ne oštetite pogonske jedinice.
15. Dodatna oprema - nemojte koristiti pribore koji nisu odobreni od strane proizvođača, jer mogu predstavljati prijetnju za rad uređaja i za samog korisnika.
16. Pribori - nemojte postavljati uređaj na nestabilne kolice, stalku, tronožcu, nosaču ili stolu. Uređaj se može kotrljati i oštetiti se ili uzrokovati ozbiljne ozljede djece ili odraslim osobama. Koristite samo kolice, stalke, tronožce, nosače ili stolove kojih preporučuje proizvođač ili se ih prodaje zajedno s uređajem. Montažu uređaja se mora provesti u skladu s uputama proizvođača, koristite pribore za ugradnju oobrene od strane proizvođača.
17. Premještanje stroj - uređaj postavljen na kolicama mora se premješati vrlo pažljivo. Naglo zaustavljanje, previša sila i neravne površine mogu uzrokovati da kolica s uređajem prevrne.
18. Vrijeme bez korištenja uređaja – kabel napajanja mora biti isključen iz zidne utičnice tijekom grmljavinskog nevremena ili ako se ga ne koristi duže vrijeme.
19. Servisiranje - ne pokušavajte pogledati unutrašnjost uređaja sami. Otvaranje poklopca može uzrokovati opasne napone i izložiti vas drugim opasnostima. Održavanje i popravak opreme vrši isključivo kvalificirano servisno osoblje.
20. Kada stroj nije u uporabi, izvucite mrežni utikač iz zidne utičnice. Kad je uređaj pripojen na izvor napajanja, uređaj je u stanju čekanja i nije u potpunosti isključen.
21. Rezervni dijelovi – tijekom zamjene dijelova, treba provjeriti dla li serviser je koristio rezervne dijelove koje preporučuje proizvođač ili dijelove koje su identične originalnim dijelom. Izrada zamjene neodobrenih rezervnih dijelova ugrožava od požara, strujnog udara ili drugih opasnosti.
22. Glavni osigurači – da bi se konstantno osiguralo uređaj od požara, koristite osigurače samo odgovarajuće vrstu i određenih parametara. Parametri osigurača u rasponu napona su označeni na uređaju.
23. Ne smije se da se poveća glasnoću dijela kad se sluša dio s niskom glasnoćom ili u slučaju odsutnosti ulaznog audio signala. Inače, s naglim porastom snage signala možete oštetiti zvučnik.
24. Jedini način da isključite uređaj iz izvora napajanja je takav da odspojite mrežni kabel iz zidne utičnice ili uređaja. Električna utičnica ili kabel ulazne snaga na uređaju mora biti uvijek na raspolaganju kada koristite proizvod.
25. Uređaj bi trebao biti instaliran u blizini utičnice napajanja ili produžnog kabela na takav način su oni uvijek na raspolaganju.
26. Maksimalna temperatura okoline uređaja je 35°C
27. Savjeti za elektrostatička pražnjenja - ako se rad prekine zbog elektrostatičkog pražnjenja, isključite uređaj ponovno ili premjestiti ga na drugo mjesto.
28. Baterija
  - a. Baterije se ne smije izlagati pretjeranoj toplini, npr. suncu, vatri i sličnim uvjetima.
  - b. Kod zbrinjavanja baterije, obratite pažnju na aspekte okoliša.
  - c. Ponašajte se oprezno tijekom korištenjem baterija: kako bi se spriječila curenje baterije, koje može uzrokovati ozljede ili oštećenja na uređaju:
    - , Pri umetanju baterija obratite pažnju na polaritet (+ i -).
    - , Nemojte koristiti različite baterije u isto vrijeme - stare i nove, alkalne baterije, standardne itd.
    - , Izvadite baterije iz uređaja kad se ga neće koristiti duže vrijeme.

## UPOZORENJE

Uređaj ne smije biti korišten od strane osoba (uključujući djecu) sa smanjenim fizičkim, osjetljivim ili mentalnim sposobnostima te osoba s nedovoljnim znanjem i iskustvom, ako nisu one pod nadzorom osobe odgovorne za njihovu sigurnost i nisu obučeni o tome kako sigurno koristiti uređaj. Prisutnost odraslih je potrebna ako uređaj koriste djeca; ovo će osigurati sigurnu uporabu uređaja.

1. Nikada ne ostavljajte stroj da radi bez nadzora! Isključite uređaj kada nije u uporabi, čak i za kratko vrijeme.
2. Uređaj se ne može upravljati putem vanjskog sata s timerom, ili posebnim sustavom daljinskog upravljanja.
3. Da bi se izbjegla opasnost u slučaju štete za zamjenu kabela napajanja treba se obratiti proizvođaču, ovlaštenom servisu ili drugim stručnim osobama.
4. Prije uporabe uređaja, provjerite je li napon odgovara naponu koji je nastao u mrežnom naponu.
5. Nemojte prekrivati ventilacijske otvore uređaja, npr. papirom, tkaninama, zavjesama, itd. Uvjerite se da uređaj ima najmanje 20 cm slobodnog prostora, a na svakoj strani - najmanje 5 cm.
6. Nemojte dopustiti da na uređaj kapaju ili prolivaju tekućine, te nemojte stavljati posude s tekućinom, poput vaza.
7. Kako biste spriječili požar ili strujni udar, uređaj mora biti zaštićen od žarišta, kiše, vlage i prašine.
8. Ne postavljajte uređaj blizu izvora vode, npr. slavine, kade, bazena ili perlice rublja. Staviti uređaj na ravnu i stabilnu površinu.
9. Nemojte da uređaj izlažite jakim magnetskim poljima.
10. Nemojte da uređaj stavljajte izravno na pojačalu ili prijamniku.
11. Ne postavljajte uređaj na vlažnom mjestu, jer vlaga ima štetan učinak na električne komponente.
12. Dovođenje uređaja iz hladnog u toplo vlažnom mjestu može uzrokovati kondenzaciju na leći unutar playera. U ovom slučaju, uređaj neće raditi ispravno. Uređaj se mora ostaviti uključen oko jedan sat kako bi se omogućilo isparavanje vlage.
13. Izbjegavajte korištenje kemijskih otapala, jer mogu oštetiti boju kućišta. Uređaj se obriše čistom, suhom ili vlažnom krpom.
14. Prilikom uklanjanja utikača iz zidne utičnice, uvijek povucite utikač, a ne kabel.
15. Kada uređaj se koristi u blizini uključenog televizora, ovo može biti izvor buke ili slike u obliku linije na zaslonu uređaja. Ovo ovisi o propusnosti emitiranja valova. To ne označava kvar uređaja ili televizora, ako vidite takve linije, pomaknite uređaj dalje od TV prijemnika.
16. Mrežni utikač se upotrebljava za isključivanje napajanja zato mora biti uvijek na raspolaganju.
17. Da bi ostala laserska glavu za čitanje CD-ploča čista, ne dirajte nju i uvijek zatvorite ulagač diska.
18. Tijekom reprodukcije, disk rotira velikom brzinom. NEMOJTE dizati ili pomicati uređaj tijekom reprodukcije, jer to može dovesti do oštećenja diska ili samog uređaja.
19. Prije premještanja uređaja na drugo mjesto ili za vrijeme za prelazak, izvadite disk i zatvorite ulagač diska. Zatim isključite napajanje i izvucite naponski kabel. Premještanje uređaja s diskom u ulagaču može uzrokovati štetu.

20. Nakon reproduciranja disk treba da bude smješten u paketu. Ne izlažite diskove izravnom sunčevom svjetlu i izvorima topline. Ne ostavljajte ploče u automobilu parkiranom na izravnom suncu.
21. Nikad ne dirajte disk sa strane bez naljepnice. Držite rub ploče, da ne ostavite otiske prstiju. Prašina, otisci prstiju ili ogrebotine diskova mogu uzrokovati pogrešan rad uređaja. Ne lijepite ljepljivu traku na disk.
22. Za čišćenje diska koristite čistu krpu bez dlačica. Počnite s čišćenjem o linearnom kretanju od središta prema rubu ploče, koristeći sredstva za čišćenje ili antistatička sredstva za vinilne ploče.
23. Da biste spriječili mogući gubitak sluha, ne slušajte glasno glazbu kroz duže vrijeme.



#### UPOZORENJE: IZVOR ZRAČENJA

CLASS 1 LASER PRODUCT  
LUOKAN 1 LASERLAITE  
KLASS 1 LASERAPPARAT

COMPACT  
**disc**  
DIGITAL AUDIO

Ova oznaka ukazuje na to da unutar uređaja se nalaze laserski komponente. Otvaranje poklopca CD pretinca i izostavljanje bravi može uzrokovati izlaganje korisnika laserskom zračenju. Ne gledajte u lasersku zraku za vrijeme rada.

#### PRIJE POSLA

##### Napomene o diskovima.

Prljavi, oštećeni ili deformirani diskovi mogu uzrokovati oštećenja na uređaju, obratite pozornost na sljedeće:

- a. CD koji možete koristiti. Možete koristiti samo diskove navedene u nastavku.
- b. CD isključivo s digitalnim audio zvukom.

#### NAPOMENA



Izjava

Niže navedenim Blaupunkt Competence Center 2N-Everpol Sp. z o.o. izjavljuje da je ovaj proizvod u skladu sa zahtjevima i drugim relevantnim odredbama Direktive 2014/53/EU. Za potpunu Izjavu o sukladnosti posjetite stranicu [www.blaupunkt.com](http://www.blaupunkt.com) na kartici proizvoda.

Odgovorni subjekt: 2N-Everpol Sp. Z o.o.

Puławska 403A, 02-801 Varšava, Poljska

Telefon: +48 22 331 99 59, e-mail: [info@everpol.pl](mailto:info@everpol.pl)



Proizvod je izrađen od visokokvalitetnih materijala i dijelova koji se mogu reciklirati i ponovo upotrijebiti.



Ako vaš uređaj ima znak prekržižene kante za otpatke, ovo označava da je proizvod pokriven odredbama Europske direktive 2012/19/EU. Molimo poštujujte zahtjeve lokalnog sustava za prikupljanje električnog otpada i elektroničke opreme. Radite u skladu s lokalnim propisima. Ne bacajte ovaj proizvod zajedno s kućnim otpadom. Ispravnim odlaganjem starog proizvoda spriječit ćete potencijalne negativne posljedice na okoliš i zdravlje ljudi.



Uređaj je opremljen sa baterijama obuhvaćenim Europskom direktivom 2006/66/EC. Baterije se ne smije odlagati zajedno s komunalnim otpadom. Molimo pogledajte lokalne propise o zasebnom prikupljanju baterija jer ispravnim odlaganjem spriječit ćete potencijalne negativne posljedice na okoliš i zdravlje ljudi.

#### Informacije o zaštiti okoliša

Paket uključuje samo nužne komponente. Svaki napor je napravljen da bit tri sastavni komponenti paketa lako odvojili: karton (kutija), polistirenska pjena (zaštita unutra) i polietilen (vrećica, zaštitna folija). Uređaj je izrađen od materijala koje se može reciklirati i ponovo upotrijebiti nakon demontaže od strane specijalizirane tvrtke. Poštujte lokalne propise o raspolaganju iskorištenih ambalažnih materijala, baterija i nepotrebne opreme.

Snimanje i reprodukcija materijala može zahtijevati pristanak. Vidi Zakon o autorskim pravima i prava izvođača/umjetnika.

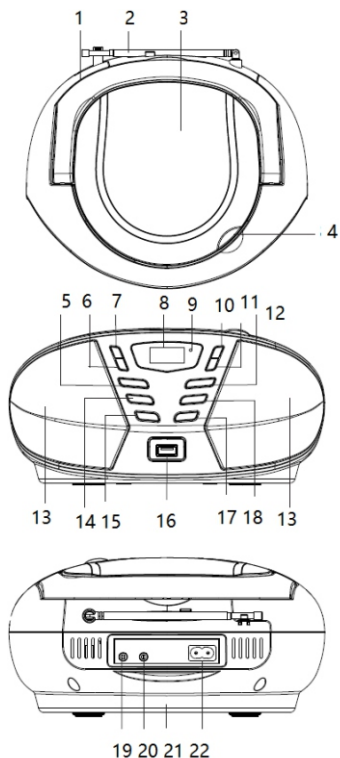
#### Napomena o ERP2 (oprema koja se odnosi na energiju)

Ovaj ekodizajnirani uređaj zadovoljava zahtjeve 2. faze Uredbe Komisije (EZ) br. 1275/2008 kojom se provodi Direktivu 2009/125/EZ o potrošnji energije od strane isključenih i elektroničkih uređaja ili uređaja u modu čekanja za uredsku i kućnu uporabu.



**FUNKCIJE UPRAVLJAČKIH ELEMENATA**

1. Sklopiva ručica
2. Teleskopska FM antena
3. Poklopac CD pretinca
4. Otvaranje poklopca CD pretinca
5. Tipka PROG/MEM/MODE
6. Tipka za prijelaz na prethodnu pjesmu/premotavanje unazad
7. Tipka za prijelaz na sljedeću pjesmu/premotavanje unaprijed
8. Pokazatelj režima pripravnosti
9. LCD zaslon
10. Tipka za reprodukciju/pauzu/CH+
11. Tipka za zaustavljanje/CH-
12. Tipka FOLDER/10+
13. Zvučnici
14. Tipka VOL-
15. Tipka SOURCE
16. USB port
17. Tipka za uključivanje/režim pripravnosti
18. Tipka VOL+
19. Pretinac za baterije
20. AC utičnica za napajanje
21. Utičnica za priključivanje slušalica
22. AUX IN utičnica


**NAPAJANJE**
**Napajanje iz baterija**

1. Pažljivo skinite poklopac pretinca za baterije.
2. Umetnite 6 „C“ baterija (UM-2 ili ekvivalenti) vodeći računa o pravilnom polaritetu.
3. Vratite poklopac pretinca za baterije.

**NAPOMENA:**

Isključite mrežno napajanje iz DC IN ulaza za napajanje uređaja kako bi bilo moguće napajanje iz baterija.

Baterije koje cure mogu oštetiti pretinac za baterije i cijeli reproduktor. Zato izvadite baterije iz komore kada su ispražnjene ili se uređaj neće koristiti duže vrijeme.

**Mrežno AC napajanje**

Kraj kabla za napajanje naizmjeničnom strujom priključite na AC IN utičnicu na uređaju, a drugi utikač u zidnu AC utičnicu. Baterije će se automatski isključiti.

**NAPOMENA:** ako više od sat vremena uređaj ne prima audio signal, automatski će se prebaciti u režim pripravnosti (to se ne odnosi na režim FM radija).

**FM RADIO**
**Podešavanja FM radio stanica**

1. Pokazatelj će se uključiti nakon priključivanja uređaja na mrežno napajanje. Pritisnite tipku za uključivanje/režim pripravnosti da biste uključili uređaj (pokazatelj režima pripravnosti će se ugasiti).
  2. Pritisnite tipku SOURCE da biste prešli u režim FM radija.
  3. Da biste pokrenuli automatsko traženje stanica, pritisnite i zadržite nekoliko sekundi tipku za prijelaz na prethodnu pjesmu/premotavanje unazad ili tipku za prijelaz na sljedeću pjesmu/premotavanje unaprijed, a zatim je pustite.
  4. Pritisnite tipku za prijelaz na prethodnu pjesmu/premotavanje unazad ili tipku za prijelaz na sljedeću pjesmu/premotavanje unaprijed da biste ručno podesili radio stanice.
  5. Podesite ugodnu razinu glasnoće pomoću tipki VOL+/-.
- Pritisnite tipku za uključivanje/režim pripravnosti da biste isključili napajanje.

**NAPOMENA:**

Teleskopska FM antena se usmjerava. Tijekom prijema FM radio emisija u potpunosti je izvadite i okrenite za najbolji prijem.

**Programiranje omiljenih radio stanica**

1. Prvo pronađite omiljenu radio stanicu, zatim pritisnite tipku PROG/MEM/MODE da biste spremili trenutnu stanicu dok na LCD zaslonu ne počne treperiti broj mjesta u memoriji.
2. Izaberite broj mjesta u memoriji pritiskom na zaustavljanje/CH- ili pritiskom za reprodukciju/pauzu/CH+.
3. Potvrdite izbor pritiskom PROG/MEM/MODE.
4. Tijekom slušanja radija pritisnite tipku za zaustavljanje/CH- ili tipku za reprodukciju/pauzu/CH+ da biste izabrali spremljene stanice.
5. Pritisnite i 3 sekunde zadržite tipku za reprodukciju/pauzu – uređaj će automatski pronaći i spremiti FM radio stanicu (maksimalni broj stanica koje se mogu spremiti je 40).

**KORIŠTENJE****Umetanje ploča**

1. Zadržite otvaranje da biste otvorili poklopac CD pretinca.
2. Umetnite ploču u pretinac (s etiketom prema gore).
3. Zatvorite poklopac pretinca.

**Reprodukcija ploča (CD/MP3)**

1. Pritisnite tipku za uključivanje/režim pripravnosti da biste uključili uređaj (pokazatelj režima pripravnosti će se ugasiti).
2. Zatim pritisnite tipku SOURCE da biste uključili režim CD-a.
3. Izvedite gore opisane radnje da biste umetnuli ploču.
4. Reprodukotor će učitati ploču.
5. Nakon uspješnog učitavanja ploče, reprodukcija će automatski početi od prve pjesme.
6. Jedanput pritisnite tipku za reprodukciju/pauzu/CH+ da biste zaustavili reprodukciju; ponovo pritisnite tipku da biste opet uključili reprodukciju; pritisnite tipku za zaustavljanje/CH- da biste zaustavili reprodukciju.

**Korištenje vanjske memorije (USB)**

1. Pritisnite tipku za uključivanje/režim pripravnosti da biste uključili uređaj (pokazatelj režima pripravnosti će se ugasiti).
2. Priključite USB uređaj na USB port.
3. Zatim pritisnite tipku SOURCE da biste uključili režim USB-a.
4. Nakon detektiranja i učitavanja sadržaja priključenog USB uređaja, reprodukcija će automatski početi od prve pjesme.
5. Pritisnite tipku za reprodukciju/pauzu/CH+ da biste obustavili ili nastavili s reprodukcijom.
6. Pritisnite tipku za zaustavljanje/CH- da biste zaustavili reprodukciju.

**Promjena pjesme i pretraga određenog mjesta za reprodukciju (CD/MP3/USB)**

1. Jedanput pritisnite tipku za prijelaz na sljedeću pjesmu/premotavanje unaprijed da biste prešli na sljedeću pjesmu. Jedanput pritisnite tipku za prijelaz na prethodnu pjesmu/premotavanje unazad da biste prešli na prethodnu pjesmu.
2. Pritisnite i zadržite tipku za prijelaz na sljedeću/prethodnu pjesmu/premotavanje unaprijed/unazad da biste prešli na određeno mjesto u pjesmi.
3. Tijekom reprodukcije jedanput pritisnite tipku FOLDER/10+ da biste preskočili 10 pjesama unaprijed ili dva puta da biste preskočili 20 pjesama unaprijed. Pomoću iste tipke možete prijeći na posljednju pjesmu na ploči.

**Prijelaz na prethodnu/sljedeću mapu (MP3/USB)**

1. Tijekom reprodukcije pritisnite i zadržite tipku FOLDER/10+ do trenutka kada broj mape počne treperiti na zaslonu.
2. Pritisnite tipku za prijelaz na prethodnu pjesmu/premotavanje unazad ili tipku za prijelaz na sljedeću pjesmu/premotavanje unaprijed da biste izabrali željenu mapu.
3. Nakon što se na zaslonu prikaže broj mape, pritisnite tipku FOLDER/10+ da ga potvrdite.

**Reprodukcija uz ponavljanje (CD/MP3/USB)**

Tijekom reprodukcije pritisnite tipku PROG/MEM/MODE za ponavljanje jedne pjesme; dva puta pritisnite ovu tipku za ponavljanje svih pjesama; pritisnite tipku tri puta za reprodukciju početaka pjesama; pritisnite tipku četiri puta da biste uključili režim nasumične reprodukcije; pritisnite tipku pet puta da završite rad funkcije.

**Programiranje reprodukcije (CD/MP3/USB)**

1. U režimu zaustavljanja jedanput pritisnite tipku PROG/MEM/MODE – prvo će se prikazati ikona programa sa simbolom „P01” a zatim na LCD zaslonu počne treperiti broj s ikonom programa.
2. Tipkom za prijelaz na sljedeću/prethodnu pjesmu/premotavanje unaprijed/unazad izaberite prvu pjesmu za programiranje, a zatim ponovno pritisnite tipku PROG/MEM/MODE da biste je spremili i prešli na sljedeći korak programiranja (ako na MP3 ploči ili u memoriji USB-a se nalazi nekoliko mapa, prvo treba programirati mape, a zatim pjesme. Način programiranja mapa je isti kao programiranje pjesama).
3. Ponovite gornje korake da biste programirali više pjesama. U memoriji možete programirati maksimalno 20 pjesama kod CD-a i 99 pjesama kod MP3 ploče/USB memorije. Ako je memorija puna, prikazat će se obavijest „FULL”.
4. Pritisnite tipku za reprodukciju/pauzu/CH+ da biste pokrenuli reprodukciju u programiranom redosljedju. Reprodukija će se završiti nakon reproduciranja svih programiranih pjesama.
5. Pritisnite tipku za zaustavljanje/CH- da biste zaustavili programiranu reprodukciju. Nakon što se programirana reprodukcija zaustavi, pritisnite tipku za reprodukciju/pauzu/CH+ da biste pokrenuli programiranu reprodukciju u prethodnom redosljedju; pritisnite tipku za zaustavljanje/CH- da biste obrisali program.

**AUX ulaz**

1. Priključite vanjski uređaj pomoću audio kabla (npr. MP3 reproduktor) na AUX IN ulaz.
2. Uključite napajanje uređaja pomoću odgovarajućih postupaka.
3. Zatim pritisčite tipku SOURCE da biste uključili režim AUX.
4. Upravljajte reprodukcijom glazbe pomoću upravljačkih elemenata na vanjskom uređaju.

**UTIČNICA ZA PRIKLJUČIVANJE SLUŠALICA**

U stražnjem dijelu uređaja se nalazi utičnica za priključivanje slušalica koja omogućuje slušanje glazbe bez ometanja mira drugih osoba u okolini. Priključite set slušalica/slušalice za umetanje u uši (NISU u kompletu) i podesite željenu razinu glasnoće.

NAPOMENA: Priključivanje vanjskih slušalica uzrokuje isključivanje zvučnika.

UPOZORENJE: Dugotrajno slušanje jake glazbe na slušalicama može uzrokovati oštećenja sluha.

**TEHNIČKI PODACI**

**Izlazna snaga:** 1,2 W x 2, ukupno harmonično izobličenje 10 %

**FM radio s PLL petljom** 87,5–108 MHz

**USB:** inačica USB 2.0

**Potrošnja energije u režimu pripravnosti:** < 0,5 W

**Izvor napajanja:** AC IN, 230 V ~ 50 / 60 Hz

**Napajanje iz baterija:** UM2 x 6 (baterije nisu u kompletu).

## INSTRUCȚIUNI IMPORTANTE REFERITOARE LA SIGURANȚĂ



### Avertisment:

Pentru a diminua riscul de electrocutare, nu demontați capacul sau partea din spate a dispozitivului. În interiorul dispozitivului nu există elemente care să poată fi reparate de utilizator. De mentenanța și reparația echipamentului se ocupă exclusiv angajații calificați ai service-ului.

### Explicarea simbolurilor grafice:



Simbolul fulgerului terminat cu o săgeată, plasat într-un triunghi echilateral, avertizează utilizatorul împotriva unei „tensiuni periculoase” neizolate în carcasa dispozitivului, care poate atinge dimensiunea pericolului de electrocutare.



Semnul exclamării într-un triunghi echilateral avertizează utilizatorul că în acest moment sunt prezentate informații importante referitoare la operarea și mentenanța echipamentului în documentația anexată la dispozitiv.

Rugăm să citiți aceste instrucțiuni înainte de a trece la operarea dispozitivului, să vă familiarizați cu funcțiile acestuia și să le folosiți conform destinației. Acest lucru va asigura o operare de lungă durată și fără avarii a dispozitivului, precum și plăcerea de a-l utiliza.

### Informații importante

- Instrucțiunile de operare și informațiile referitoare la siguranță trebuie păstrate în scopul folosirii lor în viitor.
- Nu permiteți ca pe dispozitiv să picure sau să se verse vreun lichid.
- Nu îl folosiți în locuri umede, cum ar fi de ex. sala de baie.
- Dispozitivul nu poate fi montat în următoarele locuri:
- Expus la lumina directă a soarelui sau în apropierea caloriferelor.
- Plasat deasupra unui alt dispozitiv stereofonic care emite căldură.
- Blocând ventilația sau într-un loc prăfuit.
- În locuri expuse la vibrații constante.
- În locuri cu umiditate ridicată.
- Nu așezați dispozitivul în apropierea lumânărilor sau a focului deschis.
- Dispozitivul poate fi folosit exclusiv în modul descris în instrucțiunile de mai jos.
- Înainte de prima pornire, asigurați-vă că sursa de alimentare este conectată în mod corespunzător.
- Stick-urile USB se conectează direct sau folosind un prelungitor USB cu lungime de până la 25 cm.

Din motive de securitate, nu demontați carcasa, deoarece în interior nu există elemente ce ar putea fi reparate de utilizator. De mentenanța și repararea echipamentului se ocupă exclusiv angajații calificați ai service-ului.

Nu demontați și nu deschideți carcasa, deoarece în interior nu există elemente ce ar putea fi reparate de utilizator. De mentenanța și repararea echipamentului se ocupă exclusiv angajații calificați ai service-ului.

### INSTRUCȚIUNI REFERITOARE LA SIGURANȚĂ

1. Citiți instrucțiunile – înainte de utilizarea dispozitivului, citiți în întregime instrucțiunile de utilizare, precum și informațiile referitoare la siguranță.
2. Urmați instrucțiunile – păstrați instrucțiunile de utilizare și operare în scopul folosirii lor în viitor.
3. Respectați avertismentele – procedați conform tuturor avertismentelor plasate pe dispozitiv, precum și conform instrucțiunilor de utilizare.
4. Urmați instrucțiunile – procedați conform instrucțiunilor de operare și indicațiilor pentru utilizator.
5. Instalare – setați dispozitivul conform instrucțiunilor producătorului.
6. Surse de alimentare – dispozitivul trebuie alimentat exclusiv de la surse cu parametrii indicați în marjele de pe cablu de alimentare. Dacă utilizatorul nu este sigur de tipul de alimentare de care dispune acasă, trebuie să contacteze vânzătorul dispozitivului sau furnizorul local de energie electrică.
7. Impănăntarea sau polarizarea alimentării – dispozitivul nu trebuie să fie împănântat. Trebuie să vă asigurați că ștecherul este introdus complet în priză sau în prelungitor pentru a nu permite expunerea bolțurilor sau a contactelor. Unele versiuni ale dispozitivului pot fi echipate cu ștecher polarizat de curent alternativ (cu un singur bolt mai larg). Acest ștecher poate fi introdus în priză de rețea doar într-un singur mod. Aceasta este o funcție de protecție. Dacă ștecherul nu poate fi introdus în priză, trebuie încercată rotirea acestuia. Dacă ștecherul în continuare nu se potrivește la priză, trebuie solicitată înlocuirea acestui ștecher de către un electrician. Nu scoateți elementele de protecție din ștecherul polarizat. Când utilizați un prelungitor sau un cablu de alimentare altul decât cel furnizat împreună cu dispozitivul, acestea trebuie să aibă ștecherele corespunzătoare, precum și atestatul de securitate necesar în țara dată.
8. Protecția cablului de alimentare – cablurile de alimentare trebuie plasate astfel încât să nu poată fi călcate, presate sau tăiate de obiectele din jur. Acordați o atenție deosebită ștecherelor, prizelor de rețea și locurilor în care cablurile sunt direcționate de la dispozitiv.
9. Supraîncărcare – Nu supraîncărcați prizele de perete, prelungitoarele și repartitoarele electrice, deoarece acest lucru poate provoca incendii sau electrocutări.
10. Ventilație – dispozitivul trebuie să fie corect ventilat. Dispozitivul nu poate fi pus pe pat, sofa sau suprafețe similare. Nu acoperiți dispozitivul cu fețe de masă, șervețele, ziare, ș.a..
11. Căldură – nu plasați dispozitivul în apropierea unor surse de căldură, precum calorifere, radiatoare, sobe sau alte dispozitive (de asemenea amplificatoare) care generează căldură. Nu puneți pe dispozitiv lumânări aprinse și alte surse de foc deschis.

12. Apă și umezeală – pentru a reduce riscul de incendiu sau electrocutare, nu expuneți dispozitivul la ploaie, apă și umiditate directă, ca de ex. în saună sau baie. Nu folosiți dispozitivul în apropierea apei, de exemplu lângă cadă, lavoar, chiuveta de bucătărie, într-o pivniță umedă sau în apropierea unei piscine (sau în locuri similare).
13. Obiecte și lichide în dispozitiv – nu trebuie forțate niciun fel de obiecte prin deschiderile dispozitivului, deoarece acestea pot să intre în contact cu punctele de tensiune periculoasă și cu componentele, ceea ce poate provoca incendiu sau electrocutare. În niciun caz nu vărsați niciun fel de lichide pe suprafața dispozitivului. Nu puneți pe suprafața dispozitivului obiecte ce conțin lichide.
14. Curățarea – scoateți întotdeauna dispozitivul din priză înaintea de curățare. Praful din jurul difuzorului poate fi îndepărtat cu o cârpă uscată. Dacă se utilizează un aerosol pentru curățare, nu îndreptați jetul de pulverizare direct spre dispozitiv, ci spre cârpă. Aveți grijă să nu deteriorați unitățile de comandă.
15. Echipare suplimentară – nu folosiți accesorii care nu sunt aprobate de producător, deoarece pot constitui un pericol.
16. Accesorii – nu așezați dispozitivul pe un cărucior, postament, stativ, suport sau masă instabile. Dispozitivul se poate răsturna sau deteriora și poate provoca vătămări grave copiilor sau persoanelor adulte. Folosiți numai cărucioare, postamente, stativ, suporturi și mese specificate de producător sau vândute împreună cu dispozitivul. Montarea dispozitivului trebuie efectuată în conformitate cu instrucțiunile producătorului, folosind setul de montaj recomandat de producător.
17. Mutarea dispozitivului – dispozitivul plasat pe cărucior trebuie deplasat cu multă grijă. Oprirea bruscă, forța prea mare sau suprafețele neuniforme pot provoca răsturnarea căruciorului împreună cu dispozitivul.
18. Perioada de nefolosire a dispozitivului – cablul de alimentare al dispozitivului trebuie deconectat de la priza de rețea în timpul furtunilor cu descărcări atmosferice sau când dispozitivul nu va fi folosit pentru o perioadă mai lungă de timp.
19. Servisare – nu încercați să servișați singur dispozitivul. Deschiderea capacului poate duce la contactul cu o tensiune periculoasă și poate expune utilizatorul la alte pericole. De mentenanță și repararea echipamentului se ocupă exclusiv angajații calificați ai service-ului.
20. Când dispozitivul nu este utilizat, ștecherul de alimentare trebuie deconectat de la priza de rețea. Când dispozitivul este conectat la sursa de alimentare, se află în regim de stand by și nu este complet închis.
21. Piese de schimb – la înlocuirea pieselor, trebuie verificat dacă angajatul service-ului a folosit piesele de schimb recomandate de producător sau dacă aceste piese sunt identice cu cele originale. Înlocuirea cu piese neaprobate poate duce la incendii, electrocutare sau alte pericole.
22. Siguranțele principale – pentru a proteja în mod continuu dispozitivul împotriva incendiului, trebuie folosite siguranțe de tip și parametri corecți. Parametrii siguranțelor în acest interval sunt marcați pe dispozitiv.
23. Nu măriți volumul când ascultați o parte dintr-un cântec înregistrat cu volum redus sau în cazul lipsei semnalului audio de început. În caz contrar se poate ajunge la deteriorarea difuzorului în momentul creșterii rapide a intensității semnalului.
24. Singurul mod de a deconecta complet dispozitivul de la sursa de alimentare este deconectarea cablului de alimentare din priza de alimentare sau din dispozitiv. Priza de rețea sau intrarea cablului de alimentare în dispozitiv trebuie să fie mereu accesibile în timpul utilizării produsului.
25. Dispozitivul trebuie amplasat în apropierea unei prize de perete sau a unui cablu prelungitor și astfel încât să fie mereu accesibil.
26. Temperatura maximă ambiantă pentru dispozitiv este de 35°C.
27. Instrucțiuni referitoare la descărcările electrostatice – dacă funcționarea dispozitivului este perturbată de descărcări electrostatice, acesta trebuie oprit și repornit sau mutat în alt loc.
28. Bateria
  - a. Bateriile nu pot fi expuse la căldură excesivă, cum ar fi razele de soare, foc, ș.a.
  - b. Când aruncați bateriile, acordați atenție aspectelor legate de protecția mediului.
  - c. Avertisment referitor la folosirea bateriei: pentru a nu permite pierderea etanșeității bateriei, ceea ce poate provoca vătămări corporale sau deteriorarea a dispozitivului:
    - În timpul introducerii bateriei, respectați polaritatea acesteia (+ și -).
    - Nu folosiți în același timp baterii diferite — vechi și noi, baterii standard și alcaline, ș.a.
    - Scoateți bateriile din dispozitiv, atunci când acesta nu este folosit pentru o perioadă mai lungă.

#### ATENȚIE

Dispozitivul nu trebuie folosit de persoanele (inclusiv copiii) cu capacități fizice, senzoriale sau mentale reduse, precum și de persoanele cu cunoștințe și experiență insuficiente, în cazul în care nu se află sub supravegherea unei persoane responsabile pentru siguranța lor și nu au fost instruite cum să folosească dispozitivul în condiții de siguranță. Prezența persoanelor adulte este necesară, dacă dispozitivul este folosit de copii; aceasta va permite o folosire în condiții de siguranță a dispozitivului.

1. Nu lăsați dispozitivul nesupravegheat în timpul funcționării! Dispozitivul trebuie închis când nu este folosit, chiar și pentru o perioadă scurtă de timp.
2. Dispozitivul nu poate fi folosit prin intermediul unui temporizator extern și nici cu ajutorul unui sistem separat cu comandă de la distanță.
3. Pentru evitarea pericolului în cazul deteriorării cablului de alimentare, înlocuirea trebuie efectuată de producător, de punctul autorizat de service sau de o altă persoană calificată în acest sens.
4. Înainte de a începe deservirea dispozitivului, trebuie verificat dacă tensiunea acestuia corespunde tensiunii din rețeaua locală de alimentare.
5. Nu acoperiți orificiile de ventilație ale dispozitivului cu ziare, fețe de masă, draperii, ș.a. Trebuie să vă asigurați că deasupra dispozitivului există cel puțin 20 cm de spațiu liber, iar pe fiecare parte a acestuia – cel puțin 5 cm.
6. Nu permiteți ca pe dispozitiv să picure sau să se verse vreun lichid, nu plasați pe acesta obiecte pline cu lichid, cum ar fi vasele.
7. Pentru a evita incendiile sau electrocutarea, dispozitivul trebuie protejat împotriva locurilor fierbinți, ploii, umezelii și prafului.
8. Nu așezați dispozitivul în apropierea oricărei surse de apă, de ex. robinete, căzi, mașini de spălat sau piscine. Dispozitivul trebuie plasat pe o suprafață dreaptă și stabilă.
9. Nu expuneți dispozitivul la câmpuri magnetice puternice.

10. Nu așezați dispozitivul direct pe amplificator sau amplituner.
11. Nu așezați dispozitivul într-un loc umed, deoarece umiditatea are efect dăunător asupra componentelor electrice.
12. După mutarea dispozitivului dintr-un loc rece către un loc cald sau un loc umed, se poate forma condens pe lentila din interiorul playerului. În această situație dispozitivul nu va funcționa corect. Lăsați dispozitivul să funcționeze aproximativ o oră pentru a permite evaporarea umidității.
13. Nu curățați dispozitivul cu solvenți chimici, deoarece aceștia pot distruge lacul carcasi. Dispozitivul se curăță cu o cârpă curată, uscată sau ușor umezită.
14. Când scoateți ștecherul din priză, trageți întotdeauna de ștecher, niciodată de cablul de alimentare.
15. Când dispozitivul pornit este folosit în apropierea televizorului care funcționează, acesta poate fi o sursă de interferență în imagine, sub forma de linii pe ecran. Aceasta depinde de benzile de unde ale transmisiei tv. Aceasta nu înseamnă o funcționare defectuoasă a dispozitivului sau televizorului. Dacă astfel de linii sunt vizibile, dispozitivul trebuie îndepărtat de televizor.
16. Ștecherul de rețea este folosit pentru deconectarea de la tensiunea de alimentare și trebuie să fie mereu accesibil.
17. Pentru a menține capul laserului de citire CD-uri în stare de curățenie, acesta nu trebuie atins și trebuie întotdeauna închis compartimentul de discuri.
18. În timpul folosirii, discul se rotește cu viteză mare. NU ESTE VOIE să ridicați sau să mutați dispozitivul în timpul funcționării, deoarece acest lucru poate duce la deteriorarea discului sau a dispozitivului în sine.
19. Înainte de a muta dispozitivul în alt loc sau pe perioada mutării trebuie scos discul și închis compartimentul de discuri. Apoi trebuie oprită alimentarea și deconectat cablul de alimentare. Mutarea dispozitivului cu discul aflat în compartiment poate provoca deteriorarea acestuia.
21. După redarea discului, acesta trebuie plasat în ambalaj. Nu expuneți discurile la acțiunea directă a razelor solare și a sursei de căldură. Nu lăsați discurile în interiorul automobilului parcat în plin soare.
23. Nu atingeți partea fără etichetă a discului. Țineți discul de margine, pentru a nu lăsa amprente. Praful, amprentele sau zgârieturile discurilor pot fi motivul unei funcționări incorecte a player-ului. Nu lipiți hârtiute sau benzi autocolante pe disc.
22. Pentru curățarea discului folosiți o cârpă curată, care nu lasă scame. Începeți curățarea printr-o mișcare rectilinie de la mijlocul discului spre margine, folosind în acest scop agenți de curățare general disponibili sau agenți antistatici pentru discurile de vinil.
23. Pentru a preveni eventuala pierdere de auz, nu ascultați muzică la volum ridicat pentru perioade lungi de timp.



#### AVERTISMENT: SURSĂ DE RADIAȚIE

CLASS 1 LASER PRODUCT  
LUOKAN 1 LASERLAITE  
KLASS 1 LASERAPPARAT

COMPACT  
**disc**  
DIGITAL AUDIO

Această etichetă înseamnă că în interiorul dispozitivului se află componente laser. Deschiderea capacului compartimentului de discuri CD și oclirea dispozitivului de blocare va expune utilizatorul la acțiunea radiațiilor laserului. Nu priviți fasciculul de laser în timpul funcționării dispozitivului.

#### ÎNAINTE DE ÎNCEPEREA FUNCȚIONĂRII

##### Remarci: referitoare la discurile compacte.

Deoarece discurile murdare, deteriorate sau deformate pot provoca deteriorarea dispozitivului, trebuie acordată atenție următoarelor elemente:

- a. Discurile compacte care pot fi utilizate. Pot fi utilizate numai discurile indicate mai jos.
- b. Discuri CD exclusiv cu sunet audio digital.

#### ATENȚIE



##### Declarație

Prin prezenta Blaupunkt Competence Center 2N-Everpol Sp. z o.o. [SRL] declară că acest dispozitiv este în conformitate cu cerințele și alte dispoziții corespunzătoare ale directivei 2014/53 / UE. Declarația completă de conformitate poate fi obținută pe pagina [www.blaupunkt.com](http://www.blaupunkt.com) în secția produsului.

Entitate responsabilă: 2N-Everpol Sp. z o.o.  
Puławska 403A, 02-801 Varșovia, Polonia  
Telefon: +48 22 331 99 59, e-mail: [info@everpol.pl](mailto:info@everpol.pl)



Produsul a fost realizat din materiale și componente de înaltă calitate, ce pot fi reciclate și reutilizate.



Dacă pe dispozitiv se află semnul coșului de gunoi tăiat, aceasta înseamnă că produsul se înscrie în dispozițiile directivei europene 2012/19/EU. Trebuie citite cerințele referitoare la sistemul local de colectare a deșeurilor electrice și electronice. Respectați reglementările locale. Nu aruncați acest produs împreună cu deșeurile menajere obișnuite. Eliminarea corectă a produsului vechi va preveni potențialele consecințe negative pentru mediu și sănătatea umană.



Dispozitivul este echipat cu baterii care fac obiectul directivei europene 2006/66/EC. Bateriile nu pot fi aruncate împreună cu deșeurile menajere. Consultați reglementările locale privind colectarea separată a bateriilor, deoarece eliminarea corectă va împiedica potențialele consecințe negative pentru mediul natural și sănătatea umană.

#### **Informații privind protecția mediului înconjurător**

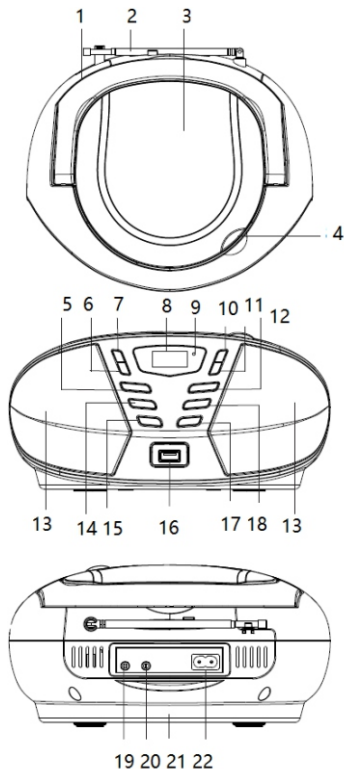
Ambalajul conține doar elementele necesare. S-au făcut toate eforturile ca cele trei materiale componente ale ambalajului să fie ușor de separat: cutia de carton (cutia), spuma de polistiren (protecție interioară) și polietilena (pungi, folie protectoare). Dispozitivul a fost produs din materiale ce pot fi reciclate și reutilizate după demontarea lor de către o firmă specializată. Trebuie respectate reglementările locale referitoare la eliminarea materialelor de ambalare, bateriilor folosite și a echipamentelor inutile. Înregistrarea și redarea materialelor poate necesita obținerea unei autorizații. Consultați legea referitoare la drepturile de autor și drepturile executanților / artiștilor.

#### **Remarcă referitoare la ERP2 (dispozitive legate de energie)**

Prezentul dispozitiv cu ecoproiect îndeplinește cerințele etapei 2 din Regulamentul Comisiei (CE) nr 1275/2008 care introduce directiva 2009/125/CE referitoare la consumul de energie al dispozitivelor electronice de birou și de uz casnic, închise sau aflate în regim de stand by.

## FUNCȚIILE ELEMENTELOR DE CONTROL

1. Măner pliabil
2. Antena telescopică FM
3. Ușița CD
4. Deschidere ușița CD
5. Buton PROG/MEM/MODE
6. Buton trecere la piesa precedentă/derulare înapoi
7. Buton trecere la piesa următoare/derulare înainte
8. Indicatorul modului standby
9. Afișaj LCD
10. Buton redare/pauză/ CH+
11. Buton oprire/CH-
12. Butonul FOLDER/10+
13. Difuzoare
14. Buton VOL-
15. Buton SOURCE
16. Port USB
17. Buton pornire/modul standby
18. Buton VOL+
19. Compartiment baterii
20. Priză de alimentare AC
21. Priza conectare căști
22. Priza AUX IN



## ALIMENTARE

### Alimentare de la baterii

1. Îndepărtați atent capacul compartimentului de baterii
2. Introduceți 6 baterii de dimensiune "C" (UM-2 sau echivalente) păstrând polarizarea adecvată.
3. Puneți la loc capacul compartimentului de baterii.

### ATENȚIE:

Pentru a alimenta dispozitivul cu baterii, deconectați cablul de alimentare de la intrarea DC IN. Dezetanjarea bateriilor poate deteriora compartimentul bateriei și întregul player. De aceea scoateți bateriile din aparat dacă sunt descărcate sau intenționați să nu îl utilizați pentru o perioadă mai lungă de timp.

### Alimentare de la rețea AC

Conectați capătul cablului de alimentare cu curent alternativ la mufa AC IN din dispozitiv, iar celălalt stecher la priza de rețea AC. Bateriile vor fi deconectate în mod automat.

**ATENȚIE:** În cazul în care niciun semnal audio nu va fi furnizat pe dispozitiv mai mult de o oră, acesta va trece automat la modul standby (acest lucru nu se aplică pentru modul radio FM).

## RADIO FM

### Reglarea posturilor radio FM

1. Indicatorul se va aprinde după ce dispozitivul este conectat la rețea. Apăsăți butonul pornire/modul standby pentru a porni dispozitivul (indicatorul modului standby se stinge).
2. Apăsăți butonul SOURCE în mod repetat pentru a trece la modul radio FM.
3. Pentru a începe căutarea automată a posturilor, apăsați și mențineți apăsat timp de câteva secunde, butonul de trecere la piesa precedentă/derulare înapoi sau butonul de trecere la piesa următoare/derulare înainte, apoi eliberați-l.
4. Apăsăți butonul de trecere la piesa precedentă/derulare înapoi sau butonul de trecere la piesa următoare/derulare înainte, pentru a regla manual posturile radio.
5. Reglați volumul la un nivel confortabil apăsând butoanele VOL +/-.
6. Apăsăți butonul pornire/modul standby pentru a deconecta alimentarea.



**ATENȚIE:**

Antena telescopică FM este direcțională. În timp ce recepționați programe radio FM, scoateți-o complet și rotiți-o pentru a obține cea mai bună recepție.

**Memorarea posturilor radio preferate**

1. Accordați mai întâi postul de radio preferat; apoi apăsați butonul PROG/MEM/MODE pentru a salva postul curent până când pe afișajul LCD va începe să clipească numărul locului în memorie.
2. Selectați numărul locului în memorie cu butonul oprire/CH- sau cu butonul redare/pauză/ CH+
3. Confirmați-l cu butonul PROG/MEM/MODE
4. În timp ce ascultați radioul, apăsați butonul oprire/CH- sau butonul redare/pauză/ CH+ pentru a selecta posturile salvate.
5. Apăsând și mențineți apăsat butonul de redare/pauză timp de 3 secunde, aparatul va regla și va salva automat posturile radio FM (numărul maxim de posturi radio care pot fi salvate este de 40)

**MANIPULARE**

Încărcarea discului

1. Deschideți ușița CD, ținând capacul
2. Introduceți disc în orificiu (cu eticheta în sus)
3. Închideți ușița CD

**Redarea discului (CD/MP3)**

1. Apăsați butonul pornire/modul standby pentru a porni dispozitivul (indicatorul modului standby se stinge).
2. Apăsați butonul SOURCE în mod repetat pentru a porni modul CD
3. Încărcați discul conform descrierii de mai sus.
4. Playerul va începe să citească discul
5. După citirea discului cu succes, redarea va începe automat de la prima piesă.
6. Apăsând o dată butonul redare/pauză/ CH+ pentru a întrerupe redarea; apăsați butonul din nou pentru a relua redarea normală; apăsați butonul oprire/CH- pentru a opri redarea.

**Utilizarea dispozitivului de memorie extern (USB)**

1. Apăsați butonul pornire/modul standby pentru a porni dispozitivul (indicatorul modului standby se stinge).
2. Conectați dispozitivul USB la portul USB
3. Apăsați butonul SOURCE pentru a porni modul USB
4. După detectarea și citirea conținutului dispozitivului USB conectat, redarea începe automat de la prima piesă.
5. Apăsați butonul redare/pauză/ CH+ pentru a întrerupe sau a relua redarea.
6. Apăsați butonul oprire/CH- pentru a opri redarea.

**Saltul peste piese și căutarea unui loc anumit de redare (CD/MP3/USB)**

1. Pentru a trece la piesa următoare, apăsați o dată butonul de trecere la piesa următoare/derulare înainte. Pentru a trece la piesa precedentă, apăsați o dată butonul de trecere la piesa precedentă/derulare înapoi.
2. Pentru a trece rapid la un anumit loc din piesă, apăsați și mențineți apăsat butonul de trecere la piesa următoare/precedentă/derulare înainte/înapoi.
3. În timpul redării, apăsați o dată butonul FOLDER/10+, pentru a trece peste 10 piese înainte, și de două ori pentru a trece 20 de piese înainte. După activarea acestui buton puteți trece la ultimă piesă pe disc.

**Trecerea la folderul precedent/următor (MP3/USB)**

1. În timpul redării apăsați și mențineți apăsat butonul FOLDER/10+ până când numărul folderului va începe să clipească pe afișaj.
2. Apăsați butonul de trecere la piesa precedentă/derulare înapoi sau butonul de trecere la piesa următoare/derulare înainte, pentru a selecta folderul dorit.
3. După afișarea numărului de folder pe ecran, apăsați butonul FOLDER/10+ pentru confirmare.

**Redarea cu repetare (CD/MP3/USB)**

1. În timpul redării, apăsați butonul PROG/MEM/MODE pentru a relua redarea unei piese; apăsați butonul de două ori pentru a relua redarea tuturor pieselor; apăsați butonul de trei ori pentru a începe redarea începuturilor de piese; apăsați butonul de patru ori pentru a activa modul de redare aleatorie; apăsați butonul de cinci ori pentru a dezactiva funcția.

**Redare memorizată (CD/MP3/USB)**

1. În modul oprire, apăsați o dată butonul PROG/MEM/MODE, mai întâi va fi afișată pictograma programului cu simbolul "P01", apoi pe ecranul LCD va începe să clipească numărul cu pictograma programului.
2. Selectați prima piesă care va fi memorizată cu butonul de trecere la piesa următoare/precedentă/derulare înainte/înapoi, apoi apăsați din nou butonul PROG/MEM/MODE pentru a o salva și a trece la următorul pas de memorizare (dacă pe discul MP3 sau pe stick-ul USB există mai multe foldere, trebuie să memorizați mai întâi folderele și apoi piesele. Memorizarea folderelor se face la fel ca memorizarea pieselor).
3. Repetați operații de mai sus pentru a memoriza mai multe piese. Puteți memoriza maxim 20 de piese în memorie în cazul unui CD și 99 de piese în cazul discului MP3/stick USB. Dacă memoria este plină, va fi afișat mesajul „FULL”.
4. Apăsați butonul oprire/CH+ pentru a începe redarea în ordinea memorizată. Redarea se va încheia după redarea tuturor pieselor memorizate.
5. Apăsați butonul oprire/CH- pentru a opri redarea memorizată După oprirea redării memorizate, apăsați butonul redare/pauză/CH+, pentru a începe redarea memorizată în ordinea anterioară; apăsați butonul oprire/CH- pentru a anula programul.

**Intrare AUX**

1. Conectați dispozitiv extern cu un cablu audio - de exemplu un player MP3 - la mufa AUX IN.
2. Porniți alimentarea dispozitivului urmând pașii corespunzători.
3. Apăsăți butonul SOURCE în mod repetat pentru a porni modul AUX
4. Controlați redarea muzicii utilizând elementele de comandă ale dispozitivului extern.

**PRIZA CONECTARE CĂȘTI**

În partea din spate a dispozitivului există o priză pentru conectarea căștilor, care vă permite să ascultați muzică fără a deranja liniștea celorlalți oameni aflați în apropiere. Conectați setul de căști/ căști în urechi (NU SUNT INCLUDE în set) și reglați volumul la nivelul dorit.

ATENȚIE: Conectarea căștilor externe dezactivează difuzoarele.

AVERTISMENT: Ascultarea muzicii la volum ridicat prin căști pentru perioade lungi de timp vă poate deteriora auzul.

**DATE TEHNICE**

**Puterea de ieșire:** 1,2 W x 2, distorsiune armonică totală 10%

**Radio FM cu buclă PLL** 87,5-108 MHz

**USB:** versiunea USB 2.0

**Consumul de putere în modul standby:** <0,5 W.

**Sursă de alimentare:** AC IN, 230 V ~ 50 / 60Hz

**Alimentare de la baterii:** UM2 x 6 (bateriile nu sunt incluse în set).

## ВАЖНИ ИНСТРУКЦИИ ЗА БЕЗОПАСНОСТ



**ОПАСНОСТ ОТ ТОКОВ**



УДАР  
НЕ ОТВАРЯЙ

### Внимание:

За да се намали рискът от токов удар, не се разрешава демонтиране на капака, дори и на задната част на устройството. В самото устройство няма елементи, предназначени за самостоятелно ремонтване от потребителите. С обслужване и ремонтване на оборудването се занимават единствено квалифицирани служители на сервиса.

### Обяснение на графичните символи:



Светкавица, завършваща със стрелка, в равностранен триъгълник предупреждава потребителя за неизолотирано, „опасно“ напрежение около устройството, което напрежение може да има размери, заплашващи с токов удар.



Удивителният знак в равностранен триъгълник предупреждава потребителя, че в този момент в документацията, прикачена към устройството, се предоставя важна информация за обслужването и запазването на оборудването.

Моля, прочетете тази инструкция, преди да пристъпите към обслужване на устройството, за да се запознаете с неговите функции и да го използвате съгласно неговото предназначение. Това ще Ви осигури дълготрайно, безаварийно обслужване на устройството и удоволствие от използването му.

### Важна информация

- Запазете инструкцията за ползване, както и информацията за безопасност, с цел използване в бъдеще.
- Да не се допуска прокапване или протичане на течност върху устройството.
- Също да не се използва на влажни места като например в баня.
- Да не се инсталира това устройство на следните места:
- Изложени на непосредствено действие на слънчеви лъчи или близо до радиатори.
- Да не се поставя на повърхността на друго стереофично оборудване, което отделя топлина.
- Ако ще блокира вентилация или в прашно помещение.
- На места, изложени на постоянна вибрация.
- На места с висока влажност.
- Да не се поставя устройството близо до свещи или открит огън.
- Устройството може да се използва единствено по начина, описан в настоящата инструкция.
- Преди първото включване на захранването трябва да се уверите, че зарядното устройство е включено правилно.
- USB паметта се свързва непосредствено или с помощта на USB кабел с дължина до 25 см.

От съображения за сигурност да не се демонтират конструкциите, както и да не се осигурява достъп до вътрешността на устройството. Забранено е отварянето на устройството, както и отварянето на неговата конструкция, тъй като вътре няма части, които биха могли да бъдат поправени от потребителя. С обслужването и поправката на оборудването се занимават единствено квалифицирани служители на сервиса.

### ИНСТРУКЦИИ ЗА БЕЗОПАСНОСТ

1. Прочетете инструкцията – преди употреба прочетете цялата инструкция за обслужване, както и информацията за безопасност.
2. Запазете инструкцията – запазете инструкцията за употреба и обслужване с цел по-нататъшно използване.
3. Спазвайте предупрежденията – постъпвайте съгласно с всички предупреждения, поместени на устройството и съгласно с инструкцията за употреба.
4. Спазвайте инструкциите – постъпвайте съгласно с инструкцията за употреба и насоките за потребителя.
5. Инсталация - настройвайте устройството в съответствие с инструкциите на производителя.
6. Източници на захранване - захранвайте устройството само от източници с параметри, посочени на захранващия кабел. Ако не сте сигурни каква енергия имате въкъси, трябва да се свържете с продавача на устройството или местния доставчик на електрическа енергия.
7. Заземяване или поляризация на захранването – устройството не трябва да бъде заземявано. Уверете се, че щепселът е изцяло пъхнат в електрическата мрежа или удължителния кабел, за да не се откриват щифтовете или контактите. Някои версии на устройството могат да бъдат оборудвани с поляризиран адаптер за променлив ток (с по-широк щифт). Този щепсел може да бъде вкаран в гнездото само по един начин. Това е функция за обезопасяване. Ако не можете да поставите щепсела в гнездото, опитайте да го обърнете. Ако щепселът все още не се побира в гнездото, поискайте от електротехник да го смените. Не изваждайте предизпителите от поляризиращ щепсел. Ако използвате удължителен кабел или захранващ кабел, различен от тези, предоставени с устройството, той трябва да има съответните щепсели и одобрения за безопасност, изисквани в дадената страна.
8. Обезопасяване на захранващия кабел - Захранващите кабели трябва да бъдат насочвани така, че да не може да се стъпва по тях, да не бъдат притискани или прерязани от поставени върху тях предмети. Обърнете специално внимание на щепселите, контактите и мястото, където кабелите се извеждат от устройството.
9. Претоварване - Не претоварвайте стенните контакти, удължителите и електро-разпределителите, тъй като това може да доведе до пожар или токов удар.
10. Вентилация - устройството трябва да бъде охлаждаемо правилно. Не поставяйте устройството на легло, диван или подобни повърхности. Не покривайте уреда с покривки, салфетки, вестници и др.
11. Топлина - не поставяйте устройството в близост до източници на топлина като радиатори, лъчеви нагреватели, печки или други уреди (включително топлинни генератори), които произвеждат топлина. Не поставяйте запалени свещи или друг открит огън върху устройството.

12. Вода и влага - За да намалите риска от пожар или токов удар, не излагайте устройството на пряк дъжд, вода или влага, например в сауната или в банята. Не използвайте това устройство близо до вода като вана, мивка, кухненска мивка или вана, в мокро помещение или в близост до плувен басейн (или на подобни места).
13. Предмети и течности в устройството - не вкарвайте предмети през отворите на устройството, тъй като могат да влязат в контакт с опасни точки и компоненти на напрежение, което може да доведе до пожар или токов удар. При никакви обстоятелства не трябва да разливате течности по повърхността на устройството. Не поставяйте върху устройството предмети, съдържащи течности.
14. Почистяване - Преди почистяване винаги изключвайте устройството от контакта. Прахът около високоговорителя може да премахнете с помощта на суха кърпа. Ако за почистяването ще използвате аерозол, не насочвайте пръскачката директно към устройството, а към кърпата. Внимавайте да не повредите задвижващите устройства.
15. Допълнително оборудване - Не използвайте аксесоари, които не са одобрени от производителя, тъй като те могат да представляват риск.
16. Аксесоари - Не поставяйте устройството върху нестабилна количка, стойка, статив, конзола или маса. Устройството може да се преобърне и повреди, както и може да причини сериозни наранявания у деца или възрастни. Използвайте само колички, стойки, стативи, конзоли и маси, определени от производителя или продавани заедно с устройството. Сглобете уреда съгласно инструкциите на производителя, като използвате монтажния комплект, препоръчан от производителя.
17. Преместване на устройството - устройството, поставено на количката, трябва да се премества много внимателно. Внезапно спиране, твърде голяма сила или неравна повърхност може да доведе до преобръщане на количката заедно с устройството.
18. Период на неизползване на устройството - Изключете захранващия кабел от контакта по време на гръмотевищни бури, или когато не използвате уреда за по-дълъг период от време.
19. Обслужване - не се опитвайте самостоятелно да правите преглед на устройството. Отварянето на капака може да доведе до опасно напрежение и да изложи потребителя на други опасности. С консервация и ремонтниране на оборудването се занимават единствено квалифицирани служители на сервиса.
20. Когато устройството не е в употреба, извадете захранващия кабел от контакта. Когато устройството е свързано към източник на захранване, то е в режим на готовност и не е напълно изключено.
21. Резервни части - при подмяна на части се уверете, че техникът е използвал препоръчаните от производителя резервни части или също, че частите са идентични с оригиналните. Подмяната с неодобрени части може да доведе до пожар, токов удар или други опасности.
22. Главни предпазители - за да предпазите устройството за постоянно от пожар, използвайте предпазители от съответния тип и параметри. Параметрите на предпазителите в даден обхват на напрежение са обозначени на устройството.
23. Не увеличавайте силата на звука, когато слушате част от песен с ниска сила на звука или при липсата на входен аудио сигнал. В противен случай при бързо увеличаване на силата на сигнала може да се стигне до повреда на високоговорителя.
24. Единственият начин за напълно изключване на устройството от източника на захранване е да изключите захранващия кабел от контакта или от устройството. Винаги, когато използвате устройството, трябва да има достъпен захранващ контакт или захранващ кабел.
25. Устройството трябва да се постави близо до контакт или удължителен кабел и така, че да е винаги достъпно.
26. Максималната температура на околната среда на устройството е 35 ° C.
27. Инструкции за електростатично разреждане - ако работата на устройството е прекъсната от електростатичен разряд, изключете уреда и повторно включете устройството или го преместете на друго място.
28. Батерия
  - a. Не излагайте батериите на прекомерна топлина като например слънчеви лъчи, огън и др.
  - b. Когато използвате батериите, обърнете внимание на изискванията за опазване на околната среда.
- в. Предупреждение за използване на батерията: За да не се стигне до изтичане на батерията, което може да доведе до нараняване или повреда на устройството:
  - , При поставяне на батерията, обърнете внимание на нейните полюси (+ и -).
  - , Не използвайте едновременно различни батерии - стари и нови, стандартни и алкални и др.
  - , Извадете батериите от устройството, ако няма да го използвате за по-дълъг период от време.

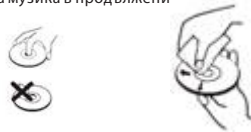
## ВНИМАНИЕ

- Устройството не трябва да се използва от хора (включително деца) с намалени физически, сензорни или психически способности и лица с недостатъчни познания и опит, освен ако не са под наблюдението на лице, отговорно за тяхната безопасност и не са инструктирани как безопасно да използват устройството. Необходимо е присъствие на възрастни, ако устройството се използва от деца; това ще осигури безопасно използване на устройството.
1. Не оставяйте устройството без надзор! Изключвайте устройството, когато не го използвате, дори и за кратко време.
  2. Не включвайте устройството чрез възнен часовник, нито чрез отделна система за дистанционно управление.
  3. За да избегнете опасност при повреда на захранващия кабел, подмяната трябва да се извърши от производителя, от упълномощен сервизен център или от друго квалифицирано лице.
  4. Преди да използвате уреда се уверете, че напрежението му съответства на напрежението на местното захранване.
  5. Не покривайте вентилационните изходи, например с вестници, покривки, завеси и др. Уверете се, че над устройството има най-малко 20 см свободно пространство и от всяка страна на уреда - най-малко 5 см.
  6. Не допускайте да капят или да се разливат течности или не поставяйте предмети, съдържащи течности като например вази.
  7. За да избегнете пожар или токов удар, предпазвайте устройството от горещи места, дъжд, влага и прах.
  8. Не поставяйте устройството близо до водоизточници като кранове, вани, перални машини или плувни басейни. Поставете устройството на равна и стабилна повърхност.
  9. Не излагайте устройството на силни магнитни полета.
  10. Не поставяйте устройството директно върху усилвателя или приемника.
  11. Не поставяйте устройството на влажно място, тъй като влагата има вреден ефект върху електрическите компоненти.
  12. При внасяне на устройството от студено на топло или на влажно място, може да се образува конденз върху обектива въртре в плътера. В този случай устройството няма да работи правилно. Оставете включения уред в продължение на около един час, за да може влагата да се изпари.

13. Не почиствайте устройството с химически разтворители, тъй като те могат да повредят лаковото покритие на конструкцията. Избършете устройството с чиста, суха или леко влажна кърпа.
14. Когато изваждате щепсела от контакта, винаги издърпвайте щепсела, а не захранващия кабел.
15. Когато устройството е включено в близост до телевизор, то може да е източник на смущения под формата на линии на екрана. Това зависи от дължината на телевизионната вълна. Не означава неизправност на устройството или телевизора. Ако видите такива линии, преместете устройството далеч от телевизора.
16. Захранващият щепсел се използва за изключване на захранващото напрежение и трябва да е винаги на разположение.
17. За да запазите лазерната глава за четене на CD чиста, не я докосвайте и винаги затваряйте гнездото за дискове.
18. По време на възпроизвеждане дискът се върти при висока скорост. НЕ повдигайте и не премествайте устройството, когато е в режим на работа, тъй като това може да повреди диска или самото устройство.
19. Преди да преместите устройството на друго място или по време на преместването, извадете диска и затворете гнездото за дискове. След това изключете захранването и извадете захранващия кабел. Преместването на устройството с диск в гнездото за дискове може да повреди устройството.
20. След използване на диска, го поставете в опаковката. Не излагайте диска на пряка слънчева светлина и топлина. Не оставяйте дисковете в кола, паркирана на слънце.
21. Не докосвайте страната на диска без етикет. Хващайте дисковете за техния край, за да не оставите отпечатъци. Прахът, отпечатъците от пръсти или драскотините по диска могат да причинят неизправност на плейъра. Не летете лепелки или самозалепващо тиксо по диска.
22. Почиствайте диска с чиста кърпа, която не оставя влакна. Започвайте с праволинейно движение от средата на диска до неговия край, като за целта използвайте обичайните почистващи препарати или антистатични средства за винилови дискове.
23. За да предотвратите евентуална загуба на слух, не слушайте силна музика в продължителни периоди от време.



**ВНИМАНИЕ: ИЗТОЧНИК НА РАДИАЦИЯ**



Този етикет означава, че вътре в устройството има лазерни компоненти. Отварянето на капака на гнездото за дискове и заобикалянето на защитните блокади ще изложи потребителя на лазерно лъчение. Не гледайте лазерния лъч, докато устройството работи.

**ПРЕДИ ДА ЗАПОЧНЕТЕ РАБОТА**

**Забележки: относно компактни дискове.**

Тъй като мръсните, повредени или деформирани дискове могат да доведат до повреда в устройството, обърнете внимание на следното:

- a. Компактни дискове, които можете да използвате. Може да използвате само долупосочените компактни дискове.
- b. Само CD с цифров аудио звук.

**ВНИМАНИЕ**



**Декларация**

С настоящото Blaupunkt Competence Center 2N-Everpol Sp. z o.o. декларира, че това устройство отговаря на изискванията и други приложими разпоредби на Директива 2014/53 / на ЕС. Пълната декларация за съответствие може да бъде намерена на [www.blaupunkt.com](http://www.blaupunkt.com) в раздела за продукти.

Отговорно лице: 2N-Everpol Sp. Z o.o.

Puławska 403A, 02-801 Warszawa, Polska

Телефон: +48 22 331 99 59, e-mail: [info@everpol.pl](mailto:info@everpol.pl)



Продуктът е произведен от висококачествени материали и компоненти, които могат да бъдат рециклирани и повторно използвани.



Ако на устройството има знак със задраскано кошче за отпадъци, това означава, че продуктът е обхванат от Европейската директива 2012/19 / ЕС. Запознайте се с изискванията на местната система за събиране на електрически и електронни отпадъци. Следвайте местните разпоредби. Не изхвърляйте този продукт заедно с обикновените битови отпадъци. Правилното изхвърляне на стария продукт ще предотврати потенциални негативни последствия за околната среда и човешкото здраве.

BULGARIA



Устройството е оборудвано с с батерии, които са част от европейска директива 2006/66/ЕС. Не изхвърляйте батериите заедно с битови отпадъци. Запознайте се с изискванията на местната система за събиране на батерии, тъй като правилната употреба на стария продукт ще предотврати потенциални негативни последици за околната среда и човешкото здраве.

#### **Информация за опазване на околната среда**

Пакетът съдържа само необходимите елементи. Положени са всички усилия, за да се гарантира, че трите компонента на опаковката са лесни за разделяне: картонена кутия, полистиролова пяна (вътрешна защита) и полиетилен (торбички, защитен лист). Устройството е изработено от материали, които могат да бъдат рециклирани и повторно използвани, след като се демонтират от специализирана фирма. Спазвайте местните разпоредби за изхвърляне на опаковъчни материали, отпадъчни батерии и ненужно оборудване.

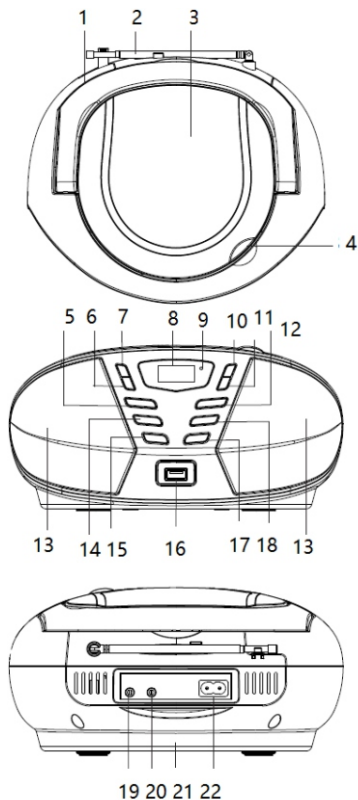
Записването и възпроизвеждането на материали може да изисква съгласие. Вижте Закона за авторските права и правата на изпълнителите/ артистите.

#### **Забележка относно ERP2 (на устройства, свързани с енергопотребление)**

Настоящото устройство с екопроекта отговаря на изискванията на етап 2 от Регламента на Комисията (ЕО) № 1275/2008 за прилагане на Директива 2009/125 / ЕО относно консумацията на енергия от електроуреди за офиса и дома.

**ФУНКЦИИ НА ЕЛЕМЕНТИТЕ ЗА УПРАВЛЕНИЕ**

1. Сгъваема дръжка
2. Телескопична антена FM
3. Врата на CD отделениято
4. Отваряне на вратата на CD отделениято
5. Бутон PROG/MEM/MODE
6. Бутон за преминаване към предишното произведение/превъртане назад
7. Бутон за преминаване към следващото произведение/превъртане напред
8. Индикатор за режим готовност
9. LCD дисплей
10. Бутон за възпроизвеждане/пауза/CH+
11. Бутон за спиране/CH-
12. Бутон FOLDER/10+
13. Високоговорители
14. Бутон VOL-
15. Бутон SOURCE
16. USB порт
17. Бутон за включване/режим готовност
18. Бутон VOL+
19. Гнездо за батерии
20. Гнездо за захранване AC
21. Гнездо за свързване на слушалки
22. Гнездо AUX IN



**ЗАХРАНВАНЕ**

**Захранване от батерии**

1. Внимателно снемете капака на отделениято на батериите.
2. Поставете 6 батерии „С“ (UM-2 или еквивалентни) като спазите правилното положение на полюсите.
3. Поставете капака на отделениято на батериите.

**ЗАБЕЛЕЖКА:**

За да бъде възможно захранване на устройството от батерии, трябва да разедините мрежовото захранващо устройство от входа на захранването DC IN на устройството.

Изтичането на батериите може да повреди отделениято за батерии, както и целия плейър. Поради това, когато батериите са изтощени или когато устройството няма да бъде използвано през по-дълго време, трябва да извадите батериите от отделениято.

**Мрежово захранване AC**

Свържете единия край на захранващия кабел с променлив ток към гнездото AC IN на устройството, а щепселът поставете в мрежовия контакт AC. Батериите автоматично ще бъдат разединени.

**ВНИМАНИЕ:** ако в продължение на повече от един час към устройството не бъде подаден никакъв аудио сигнал, устройството ще се превключи автоматично в режим готовност (не се отнася за режим радио FM).

**РАДИО FM**

**Настройка на радиостанции FM**

1. Индикаторът ще се включи след свързване на устройството към мрежовото захранване. Натиснете бутона включване/режим готовност, за да включите устройството (индикаторът на режим готовност ще изгасне).
2. Натискайте последователно бутон SOURCE, за да преминете към режим радио FM.
3. За да настроите автоматично търсене на станция, трябва да натиснете и задържите за няколко секунди бутон за преминаване към предишното произведение/превъртане назад или бутон за преминаване към следващото произведение/превъртане напред, след което го освободете.
4. Натиснете бутона за преминаване към предишното произведение/превъртане назад или бутона за преминаване към следващото произведение/превъртане напред, за да настроите ръчно радиостанцията.
5. Настройте комфортно ниво на сила на звука с натискане на бутон VOL+/-.

BULGARIA

**ЗАБЕЛЕЖКА:**

Телескопичната антена FM е насочвана. По време на приемане на FM радиопредавания трябва напълно да я изтеглите и да я въртите, за да постигнете най-добър сигнал за приемане.

**Програмиране на любими радиостанции**

1. Настройте първо любимата си радиостанция; след това натискайте бутон PROG/MEM/MODE, за да запишете текущата станция, докато върху LCD дисплея започне да мига номерът на мястото в паметта.
2. Изберете номер на мястото в паметта с бутон за спиране/CH- или с бутон за възпроизвеждане/пауза/CH+.
3. Потвърдете избора с бутон PROG/MEM/MODE.
4. По време на слушане на радио натиснете бутона за спиране/CH- или бутон за възпроизвеждане/пауза/CH+, за да изберете записани радиостанции.
5. Натиснете и задръжте натиснат бутон за възпроизвеждане/пауза за 3 секунди, устройството автоматично ще настрои и ще запише радиостанциите FM (максималният брой станции, които могат да бъдат записани, е 40)

**ОБСЛУЖВАНЕ**

**Поставяне на диска**

1. Отворете вратата на CD отделението като държите вратата.
2. Поставете диска в джоба (с етикета нагоре).
3. Затворете капака.

**Възпроизвеждане на диск (CD/MP3)**

1. Натиснете бутона включване/режим готовност, за да включите устройството (индикаторът на режим готовност ще изгасне).
2. Натиснете поредно бутон SOURCE, за да включите режим CD.
3. За да поставите диска, изпълнете изброените по-горе дейности.
4. Плейърът ще започне възпроизвеждане на диска.
5. След успешно четене на диска възпроизвеждането ще започне автоматично от първото произведение.
6. Натиснете веднъж бутон за възпроизвеждане/пауза/CH+, за да спрете възпроизвеждането; натиснете отново бутона, за да продължите нормално възпроизвеждане; натиснете бутон спиране/CH-, за да спрете възпроизвеждането.

**Обслужване на външно устройство памет (USB)**

1. Натиснете бутона включване/режим готовност, за да включите устройството (индикаторът на режим готовност ще изгасне).
2. Включете USB паметта в USB гнездото.
3. Натиснете поредно бутон SOURCE, за да включите режим USB.
4. След откриването и четенето на съдържанието на включеното USB устройство, възпроизвеждането ще започне автоматично от първото произведение.
5. Натиснете бутон възпроизвеждане/пауза/ CH+, за да спрете или да възобновите възпроизвеждането.
6. Натиснете бутон спиране/CH-, за да спрете възпроизвеждането.

**Прескачане на произведения и търсене на определено място за възпроизвеждане (CD/MP3/USB)**

1. Натиснете веднъж бутон за преминаване към следващото произведение/превъртане напред, за да преминете към следващото произведение. Натиснете веднъж бутон за преминаване към предишно произведение/превъртане назад, за да преминете към предишното произведение.
2. Натиснете и задръжте бутон за преминаване към следващо/предишно произведение/превъртане напред/назад, за да преминете към определено място в произведението.
3. По време на възпроизвеждане натиснете веднъж бутон FOLDER/10+, за да преминете с 10 произведения напред или натиснете два пъти, за да преминете с 20 произведения напред. С използването на този бутон можете да преминете към последната песен от диска.

**Преминаване към предишната/следващата папка (MP3/USB)**

1. По време на възпроизвеждане натиснете и задръжте натиснат бутон FOLDER/10+, докато номерът на папката започне да мига върху дисплея.
2. Натиснете бутон за преминаване към предишното произведение/превъртане назад или бутон за преминаване към следващото произведение/превъртане напред, за да изберете желаната папка.
3. След като номерът на папката се покаже върху дисплея, натиснете бутон FOLDER/10+, за да потвърдите.

**Възпроизвеждане с повтаряне (CD/MP3/USB)**

По време на възпроизвеждане натиснете бутон PROG/MEM/MODE, за да повтаряте възпроизвеждането на едно произведение; натиснете двукратно бутон, за да повтаряте възпроизвеждането на всички произведения; натиснете три пъти, за да започнете възпроизвеждане на началото на произведенията; натиснете четири пъти, за да започнете случайно възпроизвеждане на произведенията; натиснете пет пъти, за да изключите тази функция.

**Програмирано възпроизвеждане (CD/MP3/USB)**

1. В режим спрян натиснете веднъж бутон PROG/MEM/MODE. Първо ще се покаже иконата на програмата със символ „P01“, след което върху LCD дисплея ще започне да мига номерът заедно с иконата на програмата.
2. Изберете първото произведение за програмиране с бутон за преминаване към следващо/предишно произведение/превъртане напред/назад, след което натиснете отново бутон PROG/MEM/MODE, за да го запишете и да преминете към следващата стъпка на програмирането (ако върху диска MP3 или USB паметта има няколко папки, първо трябва да програмирате папките, а след това произведенията. Начинът за програмиране на папки е същият, както при програмиране на произведения).



3. Повторете изброените по-горе дейности, за да програмирате повече произведения. В паметта можете да програмирате максимално 20 произведения за CD и 99 произведения за диск MP3/USB памет. Ако паметта е пълна, ще бъде показано съобщение „FULL“.

4. Натиснете бутон възпроизвеждане/пауза/СН+, за да стартирате възпроизвеждането с програмирана последователно. Възпроизвеждането ще завърши след възпроизвеждането на всички програмирани произведения.

5. Натиснете бутон спиране/СН-, за да спрете програмираното възпроизвеждане. След спиране на възпроизвеждането натиснете бутона за възпроизвеждане/пауза/СН+, за да започнете програмирано възпроизвеждане в предходната последователност; натиснете бутон спиране/СН-, за да изтриете програмата.

#### **Вход AUX**

1. Свържете външно устройство с помощта на аудио кабела — напр. MP3 плейър — към входа AUX IN.

2. Включете захранването на устройството като изпълнявате съответни дейности.

3. Натиснете поредно бутон SOURCE, за да включите режим AUX.

4. Управлявайте възпроизвежданата музика като използвате елементите за управление на външното устройство.

#### **ГНЕЗДО ЗА СВЪРЗВАНЕ НА СЛУШАЛКИ**

В задната част на устройството се намира гнездо за свързване на слушалки, което позволява слушане на музика без да смущавате спокойствието на хората около Вас. Свържете комплекта слушалки/слушалките тапи (НЕ СА ВКЛЮЧЕНИ в комплекта) и настройте желаното ниво на сила на звука.

**ЗАБЕЛЕЖКА:** Свързването на външни слушалки води до изключване на високоговорителите.

**ПРЕДУПРЕЖДЕНИЕ:** Дълготрайното слушане на силна музика със слушалки може да доведе до увреждане на слуха.

#### **ТЕХНИЧЕСКИ ДАННИ**

**Изходна мощност:** 1,2 W x 2, общо хармонично изкривяване 10%

**Радио FM с режим PLL** 87,5–108 MHz

**USB:** версия USB 2.0

**Консумация на мощност в режим готовност:** < 0,5 W

**Източник на захранване:** AC IN, 230 V ~ 50 / 60 Hz

**Захранване от батерии:** UM2 x 6 (батериите не са включени в комплекта).

## ΣΗΜΑΝΤΙΚΕΣ ΠΛΗΡΟΦΟΡΙΕΣ ΣΧΕΤΙΚΑ ΜΕ ΤΗΝ ΑΣΦΑΛΕΙΑ



**ΠΡΟΕΙΔΟΠΟΙΗΣΗ**



**ΚΙΝΔΥΝΟΣ ΗΛΕΚΤΡΟΠΛΗΞΙΑΣ  
ΜΗΝ ΑΝΟΙΓΕΤΕ**

### Προειδοποίηση:

Για να μειώσετε τον κίνδυνο ηλεκτροπληξίας, δεν επιτρέπεται να αποσυναρμολογήσετε το κάλυμμα ούτε το οπίσθιο μέρος της συσκευής. Μέσα στη συσκευή δεν υπάρχουν εξαρτήματα προορισμένα για επισκευή από τον χρήστη. Η συντήρηση και η επισκευή του εξοπλισμού εκτελείται αποκλειστικά από τους εξουσιοδοτημένους υπάλληλους σέρβις.

### Εξήγηση γραφικών συμβόλων



Το σύμβολο αστραπής με το βέλος στην άκρη της μέσα στο ισόπλευρο τρίγωνο προειδοποιεί τον χρήστη από μη μονωμένα, "επικίνδυνη ηλεκτρική τάση" στο περίβλημα της συσκευής που μπορεί να έχει την τιμή η οποία προκαλεί ηλεκτροπληξία.



Το σύμβολο θαυμαστικού στο ισόπλευρο τρίγωνο προειδοποιεί τον χρήστη ότι σε αυτό τον τόπο των τεκμηρίωσης που συνάπτεται στη συσκευή, παρουσιάζονται σημαντικές πληροφορίες σχετικά με τον χειρισμό και τη συντήρηση της συσκευής.

Παρακαλούμε να διαβάσετε αυτές τις οδηγίες χρήσης πριν αρχίσετε να χειρίζεστε τη συσκευή, για να γνωρίσετε τις λειτουργίες της και για τη χρησιμοποίησή της σύμφωνα με τον προορισμό της. Έτσι διασφαλίζετε τον διαρκή χειρισμό της συσκευής χωρίς βλάβες και απόλαυση από τη χρήση της συσκευής.

### Σημαντικές πληροφορίες

- Πρέπει να κρατήσετε τις οδηγίες χρήσης και τις πληροφορίες σχετικά με την ασφάλεια με σκοπό τη μελλοντική χρήση τους.
- Μην επιτρέψετε κανένα υγρό να στάξει ή να χυθεί στη συσκευή.
- Δεν επιτρέπεται να χρησιμοποιήσετε τη συσκευή σε μέρη με υγρασία όπως π.χ. μπάνιο.
- Δεν επιτρέπεται να εγκαταστήσετε αυτή τη συσκευή στα ακόλουθα μέρη:
  - Μέρη εκτεθειμένα στην άμεση ακτινοβολία ή κοντά σε θερμάστρες.
  - Μην τοποθετείτε πάνω στη συσκευή άλλο εξοπλισμό στερεό που εκπέμπει θερμότητα.
- Όπου μπλοκάρεται ο εξαερισμός ή σε μέρος με σκόνη.
- Σε μέρη εκτεθειμένα σε συνεχείς δονήσεις.
- Σε μέρη με μεγάλη υγρασία.
- Δεν επιτρέπεται να τοποθετήσετε τη συσκευή δίπλα σε κεριά και ανοιχτή φλόγα.
- Μπορείτε να χρησιμοποιήσετε τη συσκευή με τον τρόπο που περιγράφεται στις παρούσες οδηγίες χρήσης.
- Πριν από την πρώτη ενεργοποίηση, πρέπει να βεβαιωθείτε ότι το τροφοδοτικό είναι κατάλληλα συνδεδεμένο.
- Η μήνη USB συνδεδεμένη άμεσα ή με επέκταση USB μήκους έως 25 cm.

Για λόγους ασφαλείας δεν επιτρέπεται να αποσυναρμολογήσετε το περίβλημα ούτε να έχετε πρόσβαση στο μέσο της συσκευής. Η συσκευή πρέπει να επισκευαστεί από το εξειδικευμένο προσωπικό του σέρβις.

Δεν επιτρέπεται να ξεβιδώσετε τη συσκευή ούτε να ανοίξετε το περίβλημά της, γιατί μέσα δεν υπάρχουν εξαρτήματα που μπορεί να επισκευαστούν από τον χρήστη. Η συντήρηση και η επισκευή του εξοπλισμού εκτελείται αποκλειστικά από τους εξουσιοδοτημένους υπάλληλους σέρβις.

## ΣΗΜΑΝΤΙΚΕΣ ΠΛΗΡΟΦΟΡΙΕΣ ΣΧΕΤΙΚΑ ΜΕ ΤΗΝ ΑΣΦΑΛΕΙΑ

1. Διαβάστε τις οδηγίες χρήσης – πριν χρησιμοποιήσετε τη συσκευή πρέπει να διαβάσετε όλες τις οδηγίες χρήσης και τις πληροφορίες για την ασφάλεια.
2. Φυλάξτε τις οδηγίες χρήσης – πρέπει να φυλάξετε τις οδηγίες χρήσης και χειρισμού με σκοπό να τις χρησιμοποιήσετε στο μέλλον.
3. κολουθήστε τις προειδοποιήσεις – πρέπει να ακολουθήσετε όλες τις προειδοποιήσεις που είναι τοποθετημένες πάνω στη συσκευή και να ακολουθήσετε τις οδηγίες χρήσης.
4. Ακολουθήστε τις οδηγίες χρήσης – πρέπει να ακολουθήσετε τις οδηγίες χρήσης και τις συμβουλές για τον χρήστη.
5. Εγκατάσταση – πρέπει να τοποθετήσετε τη συσκευή σύμφωνα με τις οδηγίες του κατασκευαστή.
6. Πηγή τροφοδοσίας – η συσκευή πρέπει να τροφοδοτηθεί αποκλειστικά από τις πηγές με τις παραμέτρους που αναφέρονται στις επισημανσεις του καλωδίου τροφοδοσίας. Αν ο χρήστης δεν είναι σίγουρος ποιαού τύπου τροφοδοσία έχει στο σπίτι του, πρέπει να επικοινωνήσει με τον πωλητή της συσκευής ή τον τοπικό προμηθευτή ηλεκτρικής ενέργειας.
7. Γείωση και πόλωση της συσκευής – η συσκευή πρέπει να έχει γείωση. Πρέπει να βεβαιωθείτε ότι το φως είναι τελικά τοποθετημένο στην πρίζα ηλεκτρικού δικτύου ή της επέκτασης, για να μην αφήσετε τους πεύρους ή τους επαφές το φως χωρίς κάλυμμα. Κάποιες εκδόγές της συσκευής μπορεί να είναι εξοπλισμένες με πολωμένο φως εναλασσόμενο ρεύματος (με έναν πείρο πλατύτερο). Μπορείτε να βάλετε αυτό το φως στην πρίζα μόνο με έναν τρόπο. Αυτό είναι η λειτουργία προστασίας. Αν δεν μπορείτε να βάλετε το φως στην πρίζα, πρέπει να το περιστρέψετε. Αν το φως εξακολουθεί να μην ταιριάζει στην πρίζα, πρέπει να δώσετε εντολή στον ηλεκτρολόγο να αντικαταστήσει την πρίζα. Δεν επιτρέπεται να βγάλετε τα προστατευτικά του πολωμένου φως. Όταν χρησιμοποιείτε επέκταση ή καλώδιο τροφοδοσίας διαφορετικό από αυτό που παραδίδεται μαζί με τη συσκευή, αυτά πρέπει να έχουν κατάλληλα φως και το πιστοποιητικό ασφαλείας.
8. Προστασία του καλωδίου τροφοδοσίας – τα καλώδια τροφοδοσίας πρέπει να δρομολογούνται έτσι, ώστε να μην τα πατάτε, να μην τα πιέζετε και μην τα κόβετε με τοποθετημένα πάνω τους αντικείμενα. Δώστε ειδική σημασία στα φως, τις πρίζες ηλεκτρικού δικτύου και του τόπου όπου τα καλώδια είναι τοποθετημένα μέσα στη συσκευή.
9. Υπερφόρτωση – Δεν επιτρέπεται να υπερφορτώσετε τις ηλεκτρικές πρίζες τοίχου, τις επεκτάσεις και τους διαχωριστές, γιατί αυτό προκαλεί κίνδυνο πυρκαγιάς ή ηλεκτροπληξίας.
10. Εξαερισμός – η συσκευή πρέπει να έχει κατάλληλο εξαερισμό. Δεν επιτρέπεται να τοποθετήσετε τη συσκευή πάνω σε ένα κρεβάτι, έναν καναπέ ή σε παρόμοιες επιφάνειες. Δεν επιτρέπεται να καλύψετε τη συσκευή με τραπέζιματλητα, πετσέτες, εφημερίδες κλπ.

12. Νερό και υγρασία – για να μειώσετε τον κίνδυνο πυρκαγιάς ή ηλεκτροπληξίας, δεν επιτρέπεται να εκθέτετε τη συσκευή στην άμεση επίδραση βροχής, νερού και υγρασίας όπως π.χ. στη σάουνα ή το μπάνιο. Μην χρησιμοποιείτε την παρούσα συσκευή δίπλα σε νερό, π.χ. δίπλα σε μια μπανιέρα, νιπτήρα, νεροχύτη κουζίνας ή σκάφη, σε ένα υπόγειο με υγρασία ή δίπλα σε πισίνα (ή σε παρόμοιους τόπους).
13. Αντικείμενα και υγρά μέσα στη συσκευή – δεν επιτρέπεται να πιέσετε οποιοδήποτε αντικείμενο μέσα από τα ανοίγματα της συσκευής, γιατί αυτά μπορεί να έχουν επαφή με τα σημεία της επικίνδυνης ηλεκτρικής τάσης και τα υποστήματα και αυτό μπορεί να προκαλέσει πυρκαγιά. Σε καμία περίπτωση μη χύσετε οποιοδήποτε υγρό δίπλα στη συσκευή. Δεν επιτρέπεται να βάζετε πάνω στη συσκευή τα αντικείμενα που περιέχουν υγρά.
14. Καθαρισμός – πάντα πρέπει να αποσυνδέετε τη συσκευή από την πρίζα ηλεκτρικού δικτύου πριν από καθαρισμό. Η σκόνη γύρω από το ηχείο μπορεί να αφαιρεθεί με ένα ύφασμα. Αν χρησιμοποιήσετε ένα αερόβλυστο για καθαρισμό, μην κατευθύνετε τη ροή ψεκασμού άμεσα στη συσκευή, αλλά σε ένα πανί. Πρέπει να προσέξετε να μη χαλάσετε τις μονάδες μετάδοσης κίνησης.
15. Πρόσθετος εξοπλισμός – μη χρησιμοποιήσετε αξεσουάρ που δεν επιτρέπονται από τον κατασκευαστή, γιατί αυτά μπορούν να προκαλέσουν κίνδυνο.
16. Αξεσουάρ – μην τοποθετείτε τη συσκευή σε ασταθές καροτσάκι, υποστήριγμα, τρίποδο, βάση ή τραπέζι. Η συσκευή μπορεί να ανατραπεί και να χαλάσει καθώς και να προκαλέσει σοβαρά τραύματα σε παιδιά και σε ηλικιωμένα πρόσωπα. Πρέπει να χρησιμοποιήσετε αποκλειστικά καροτσάκια, υποστήριγματα, τρίποδα, βάσεις ή τραπέζια που ορίζονται από τον κατασκευαστή ή που πωλούνται μαζί με τη συσκευή. Εκτελέστε τη συναρμολόγηση της συσκευής σύμφωνα με τις οδηγίες του κατασκευαστή με χρήση του σετ συναρμολόγησης που προτείνεται από τον κατασκευαστή.
17. Μεταφορά της συσκευής – πρέπει να μεταφέρετε τη συσκευή τοποθετημένη σε καροτσάκι πολύ προσεκτικά. Ξαφνικό σταμάτημα, υπερβολική δύναμη ή ανώμαλες επιφάνειες μπορεί να προκαλέσουν ανατροπή στο καροτσάκι μαζί με τη συσκευή.
18. Περίοδος όταν η συσκευή δεν χρησιμοποιείται – πρέπει να αποσυνδέσετε το καλώδιο τροφοδοσίας από την πρίζα ηλεκτρικού δικτύου κατά τις καταιγίδες με κεραυνούς ή όταν δεν χρησιμοποιείτε τη συσκευή πολλή ώρα.
19. Σέρβις – μην δοκιμάσετε να εκτελέσετε επιθεωρήσεις της συσκευής μόνοι σας. Το να ανοίξετε το κάλυμμα μπορεί να προκαλέσει επαφή με επικίνδυνη ηλεκτρική τάση και να εκτεθεί ο χρήστης σε άλλους κινδύνους. Η συντήρηση και η επισκευή του εξοπλισμού εκτελείται αποκλειστικά από τους εξουσιοδοτημένους υπάλληλους σέρβις.
20. Όταν δεν χρησιμοποιείτε τη συσκευή, πρέπει να αποσυνδέσετε το φως της από την πρίζα ηλεκτρικού δικτύου. Όταν η συσκευή είναι συνδεδεμένη στην πηγή ηλεκτρικής ενέργειας, είναι στον τρόπο λειτουργίας αναμονής και δεν είναι απολύτως απενεργοποιημένη.
21. Ανταλλακτικά – όταν αντικαθιστάτε εξαρτήματα πρέπει να ελέγχετε αν ο υπάλληλος του σέρβις έχει χρησιμοποιήσει τα ανταλλακτικά που προτείνονται από τον κατασκευαστή ή τα εξαρτήματα είναι ίδια όπως τα γνήσια εξαρτήματα. Η αντικατάσταση εξαρτημάτων με μην εγκεκριμένα προκαλεί κίνδυνο πυρκαγιάς, ηλεκτροπληξίας και άλλους κινδύνους.
22. Κύριες ηλεκτρικές ασφάλειες – για να προστατέψετε με συνεχή τρόπο τη συσκευή από πιθανή πυρκαγιά, πρέπει να χρησιμοποιήσετε τις ασφάλειες κατάλληλου τύπου και παραμέτρων. Οι παράμετροι των ασφαλειών του ορισμένου φάσματος της ηλεκτρικής τάσης επισημαίνονται πάνω στη συσκευή.
23. Δεν επιτρέπεται να αυξήσετε την ένταση ήχου όταν ακούτε ένα κομμάτι το οποίο έχει χαμηλή ένταση ήχου ή όταν δεν υπάρχει σήμα ήχου εισόδου. Σε αντίθετη περίπτωση, ενδέχεται να χαλάσετε το ηχείο με την ξαφνική αύξηση της έντασης του σήματος.
24. Η μοναδική λύση να αποσυνδέσετε πλήρως τη συσκευή από την πηγή ηλεκτρικής ενέργειας είναι η αποσύνδεση του καλωδίου τροφοδοσίας από την πρίζα ηλεκτρικής ενέργειας ή από τη συσκευή. Η πρίζα ηλεκτρικού δικτύου ή η υποδοχή του καλωδίου τροφοδοσίας στη συσκευή πάντα πρέπει να είναι διαθέσιμες κατά τη χρήση της συσκευής.
25. Η συσκευή πρέπει να τοποθετηθεί δίπλα σε πρίζα ηλεκτρικού δικτύου ή επέκταση έτσι ώστε να είναι πάντα διαθέσιμες.
26. Η μέγιστη θερμοκρασία περιβάλλοντος πρέπει είναι 35°C.
27. Οδηγίες σχετικά με τις ηλεκτροστατικές εκκινήσεις – αν η λειτουργία της συσκευής διαταράσσεται με τις ηλεκτροστατικές εκκινήσεις, πρέπει να την απενεργοποιήσετε και να την ενεργοποιήσετε ξανά ή να μεταφέρετε τη συσκευή σε άλλο τόπο.
28. Μπαταρία
- Δεν επιτρέπεται να εκθέτετε τις μπαταρίες στη δράση υπερβολικής ζέστης όπως π.χ. ηλιακή ακτινοβολία.
  - Κατά τη διάθεση των μπαταριών, πρέπει να δώσετε σημασία στις παραμέτρους της προστασίας του περιβάλλοντος.
  - Προειδοποίηση σχετικά με χρήση των μπαταριών: για να μην επιρρέψετε απροσφράγιστη των μπαταριών που μπορεί να προκαλέσει τραύματα ή να χαλάσει τη συσκευή:
    - Όταν βάζετε τη μπαταρία δώστε σημασία στην πόλωση της (+ και -).
    - Δεν επιτρέπεται να χρησιμοποιήσετε ταυτόχρονα διαφορετικές μπαταρίες - καινούργιες και μεταχειρισμένες, τις μπαταρίες στάνταρ και αλκαλικές κλπ.
    - Πρέπει να βγάλετε τις μπαταρίες από τη συσκευή δεν τη χρησιμοποιείτε πολλή ώρα.

## ΠΡΟΕΙΔΟΠΟΙΗΣΗ

Η συσκευή δεν επιτρέπεται να χρησιμοποιηθεί από πρόσωπα (συμπεριλαμβανόμενων των παιδιών) με μειωμένη φυσική και αισθητηριακή ικανότητα και τα πρόσωπα με ανεπαρκή γνώση και εμπειρία, αν δεν είναι υπό την εποπτεία του προσώπου που είναι υποχρεωμένο για την ασφάλειά τους και δεν έχουν εκπαιδευθεί πως να χρησιμοποιούν τη συσκευή με ασφαλή τρόπο. Η παρουσία των ενηλίκων απαιτείται όταν τα παιδιά χειρίζονται τη συσκευή· έτσι θα διασφαλιστεί την ασφαλή χρήση της συσκευής.

- Δεν επιτρέπεται να αφήνετε τη συσκευή όταν λειτουργεί χωρίς καμία εποπτεία! Πρέπει να απενεργοποιείτε τη συσκευή όταν δεν τη χρησιμοποιείτε, ακόμη για ένα σύντομο διάστημα.
- Δεν επιτρέπεται να μεταχειρίζεστε τη συσκευή μέσα από ένα εξωτερικό ρολόι με χρονικό σύστημα ούτε με ξεχωριστό σύστημα τηλεχειρισμού.
- Για να αποφύγετε κίνδυνο σε περίπτωση βλάβης του καλωδίου τροφοδοσίας, η αντικατάστασή του πρέπει να εκτελείτε από τον κατασκευαστή, την εξουσιοδοτημένη υπηρεσία σέρβις ή άλλο πρόσωπο που διαθέτει τα κατάλληλα προσόντα.
- Πριν αρχίσετε να χειρίζεστε τη συσκευή, πρέπει να ελέγξετε αν η τάση της είναι συμβατή με την τάση του τοπικού ηλεκτρικού δικτύου.
- Δεν επιτρέπεται να καλύψετε τα ανοίγματα εξαερισμού π.χ. με εφημερίδες, τραπέζομάντηλα, κουρτίνες κλπ.. Πρέπει να βεβαιωθείτε ότι πάνω από τη συσκευή υπάρχει ένας ελεύθερο χώρος τουλάχιστον 20 cm και από κάθε πλευρά της - τουλάχιστον 5 cm.
- Δεν επιτρέπεται να στάζει ή να χυθεί κανένα υγρό στη συσκευή και δεν επιτρέπεται να βάζετε πάνω στη συσκευή κανένα αντικείμενο γεμάτο με υγρό όπως π.χ. ένα βάζο.
- Για να αποφύγετε πυρκαγιά ή ηλεκτροπληξία, πρέπει να προστατεύετε τη συσκευή από ζεστούς τόπους, τη δράση της βροχής, της υγρασίας και της σκόνης.
- Δεν επιτρέπεται να τοποθετείτε τη συσκευή κοντά σε οποιαδήποτε πηγή νερού όπως π.χ. βρύσες, μπανιέρες, πλυντήρια ή πισίνες κολύμβησης. Η συσκευή πρέπει να τοποθετηθεί σε μια ίσια και σταθερή βάση.

9. Δεν επιτρέπεται να εκθέτετε τη συσκευή σε ισχυρό μαγνητικό πεδίο.
10. Δεν επιτρέπεται να βάζετε τη συσκευή αμέσως στον ενισχυτή, δέκτη ή διακόπτη.
11. Δεν επιτρέπεται να βάζετε τη συσκευή σε ένα μέρος με υγρασία, γιατί η υγρασία έχει αρνητική επίδραση στα ηλεκτρικά συστήματα.
12. Μετά από μεταφορά της συσκευής από κρύο σε ζεστό τόπο ή σε τόπο με υγρασία, μπορεί να προκληθεί υγραποίηση της υγρασίας πάνω στον φακό μέσα στη συσκευή αμέσως αναπαγωγής. Σε μια τέτοια περίπτωση η συσκευή δεν θα λειτουργήσει σωστά. Πρέπει να αφήσετε τη συσκευή απενεργοποιημένη για περίπου μια ώρα, για να επιτρέψετε την εξάτμιση της υγρασίας.
13. Δεν επιτρέπεται να καθαρίζετε τη συσκευή με χημικούς διαλύτες, γιατί μπορεί να χαλάσουν το βερνίκι του περιβλήματος. Σκουπίζετε τη συσκευή με ένα καθαρό, στεγνό ή λίγο μουσκεμένο πανί.
14. Όταν βγάτε το φικ από την πρίζα τοίχου, πάντα πρέπει να τραβάτε το φικ και όχι το καλώδιο.
15. Όταν η ενεργοποιημένη συσκευή χρησιμοποιείται δίπλα σε ενεργοποιημένη τηλεόραση, μπορεί να είναι πηγή διαταραχών όρασης με τη μορφή γραμμών στην οθόνη. Αυτό εξαρτάται από τη ζώνη κυμάτων μετάδοσης της TV. Αυτό δεν σημαίνει ότι η συσκευή ή η τηλεόραση δεν λειτουργούν κατάλληλα. Αν αυτές γραμμές είναι ορατές, πρέπει να απομακρύνετε τη συσκευή από την τηλεόραση.
16. Το φικ ηλεκτρικού δικτύου χρησιμοποιείται για αποσύνδεση της ηλεκτρική τάσης τροφοδοσίας και πάντα πρέπει να είναι διαθέσιμο.
17. Για να διατηρήσετε την κεφαλή λέιζερ καθαρή για την ανάγνωση των δίσκων CD, μην την αγγίζετε και πάντα κλείνετε τη θήκη δίσκων.
18. Κατά την αναπαγωγή, ο δίσκος περιστρέφεται με μεγάλη ταχύτητα. ΔΕΝ ΕΠΙΤΡΕΠΕΤΑΙ να ανυψώνετε ούτε να μεταφέρετε τη συσκευή όταν αναπαράγει, γιατί έτσι μπορείτε να χαλάσετε τον δίσκο ή τη συσκευή.
19. Πριν μεταφέρετε τη συσκευή σε άλλο τόπο ή κατά τη διάρκεια μιας μετακόμισης, πρέπει να βγάλετε τον δίσκο και να κλείσετε τη θήκη δίσκου. Στη συνέχεια πρέπει να απενεργοποιήσετε την τροφοδοσία και να αποσυνδέσετε το καλώδιο τροφοδοσίας. Μεταφορά της συσκευής με τον δίσκο μέσα στη θήκη μπορεί να αποτελέσει αιτία βλάβης τους.
20. Μετά την αναπαγωγή του δίσκου, πρέπει να τον τοποθετήσετε στη συσκευασία του. Δεν επιτρέπεται να εκθέτετε δίσκους στην επίδραση άμεση ηλιακής ακτινοβολίας και πηγής θερμότητας. Δεν επιτρέπεται να αφήνετε δίσκους μέσα σε ένα αυτοκίνητο που σταθμεύει σε πλήρη ήλιο.
21. Μην αγγίζετε την πλευρά του δίσκου όπου δεν υπάρχει ετικέτα. Κρατάτε τον πιάνοντας τις άκρες του για να μην αφήσετε δακτυλικά αποτυπώματα. Η σκόνη, τα δακτυλικά αποτυπώματα ή οι ρωγμές των δίσκων μπορούν να είναι αιτία ακατάλληλης λειτουργίας της συσκευής αναπαγωγής. Δεν επιτρέπεται να επικολλάτε χαρτάκια ή αυτοκόλλητη ταινία πάνω στον δίσκο.
22. Για να καθαρίσετε τον δίσκο, χρησιμοποιήστε ένα πανί που δεν αφήνει κλωστές. Αρχίστε τον καθαρισμό με ευθύγραμμες κινήσεις από το κέντρο του δίσκου προς τις άκρες του, χρησιμοποιώντας για αυτό τον σκοπό γενικά διαθέσιμα καθαριστικά μέσα ή αντιστατικά μέσα για δίσκους βινυλλίου.
23. Για να μην επιτρέψετε πιθανή απώλεια ακοής, δεν επιτρέπεται να ακούτε μουσική πολύ δυνατά για πολλή ώρα.


**ΠΡΟΕΙΔΟΠΟΙΗΣΗ: ΠΗΓΗ ΑΚΤΙΝΟΒΟΛΙΑΣ**

CLASS 1 LASER PRODUCT  
LUOKAN 1 LASERLAITE  
KLASS 1 LASERAPPARAT

COMPACT  
**disc**  
DIGITAL AUDIO



Αυτή η ετικέτα σημαίνει ότι μέσα στη συσκευή υπάρχουν συστήματα λέιζερ. Το να ανοίξετε τη θήκη των δίσκων CD και η παράλειψη μπλοκαρισμάτων προστασίας, εκθέτει τον χρήστη στην επίδραση της ακτινοβολίας λέιζερ. Δεν επιτρέπεται να βλέπετε τη δέσμη λέιζερ κατά τη λειτουργία της συσκευής.

**ΠΡΙΝ ΑΠΟ ΤΗ ΛΕΙΤΟΥΡΓΙΑ**
**Παρατηρήσεις: για τους συμπαγείς δίσκους**

Καθώς βρώμικοι, χαλασμένοι ή παραμορφωμένοι δίσκοι μπορούν να αποτελέσουν αιτία βλάβης της συσκευής, πρέπει να δώσετε σημασία στα εξής στοιχεία:

- a. Οι συμπαγείς δίσκοι που μπορείτε να χρησιμοποιήσετε. Μπορείτε να χρησιμοποιείτε μόνο τους παρακάτω αναφερόμενου δίσκους.
- b. Δίσκους CD αποκλειστικά με ψηφιακό σήμα ήχου.

**ΠΡΟΣΟΧΗ**


Δήλωση

Δια του παρόντος η εταιρεία Blaupunkt Competence Center 2N-Everpol Sp. z o.o. δηλώνει ότι η παρούσα συσκευή είναι συμβατή με τις προϋποθέσεις και τις λοιπές σχετικές προβλέψεις της οδηγίας 2014/53 / ΕΕ. Μπορείτε να λάβετε την πλήρη δήλωση συμβατότητας από την ιστοσελίδα [www.blaupunkt.com](http://www.blaupunkt.com) στην καρτέλα του προϊόντος.

Κατόχος άδειας κυκλοφορίας: 2N-Everpol Sp. z o.o.  
Puławska 403A, 02-801 Warszawa, Πολωνία  
Τηλέφωνο: +48 22 331 99 59, e-mail: [info@everpol.pl](mailto:info@everpol.pl)



Το προϊόν κατασκευάστηκε από υλικά υψηλής ποιότητας και τα συστήματα, τα οποία μπορούν να ανακυκλωθούν και να χρησιμοποιηθούν ξανά.



Αν πάνω στη συσκευή υπάρχει το σύμβολο του διαγραμμένου κάδου, αυτό σημαίνει ότι το προϊόν καλύπτεται από τις προβλέψεις της ευρωπαϊκής οδηγίας 2012/19/ΕΕ. Πρέπει να εξοικειωθείτε με τις απατήσεις του τοπικού συστήματος συγκέντρωσης απορριπτόμενου εξοπλισμού και υπολειμμάτων υλικού διάλυσης. Πρέπει να ακολουθήσετε τους τοπικούς κανονισμούς. Μην απορρίψετε το προϊόν μαζί με τα κανονικά οικιακά απορρίμματα. Η σωστή διάθεση του παλαιού προϊόντος προστατεύει από αρνητικά αποτελέσματα για το φυσικό περιβάλλον και την ανθρώπινη υγεία.



Η συσκευή είναι εξοπλισμένη με μπαταρίες οι οποίες ορίζονται με την ευρωπαϊκή οδηγία 2006/66/ΕΕ. Δεν επιτρέπεται να απορρίψετε τις μπαταρίες μαζί με τα οικιακά απορρίμματα. Πρέπει να εξοικειωθείτε με τους τοπικούς κανονισμούς για την ξεχωριστή συγκέντρωση των μπαταριών, διότι η κατάλληλη διάθεση προστατεύει από πιθανά αρνητικά αποτελέσματά της για το φυσικό περιβάλλον και την ανθρώπινη ζωή.

#### Πληροφορίες για την προστασία του περιβάλλοντος

Η συσκευασία περιέχει μόνο τα απαραίτητα στοιχεία. Έχει καταβληθεί κάθε δυνατή προσπάθεια ώστε τα τρία συστατικά της συσκευασίας να διαχωριστούν εύκολα: χαρτί (κουτί), αφρός πολυστερίνης (προστατευτικά μέσα στη συσκευασία) και πολυαιθυλένιο (σακούλες, προστατευτικό φύλλο). Η συσκευή κατασκευάστηκε από υλικά τα οποία μπορούν να ανακυκλωθούν και να χρησιμοποιηθούν ξανά μετά την αποσυρμολόγησή τους. Πρέπει να ακολουθήσετε τους τοπικούς κανονισμούς σχετικά με τη διάθεση των υλικών συσκευασίας, των μεταχειρισμένων μπαταριών και των περιττών συσκευών.

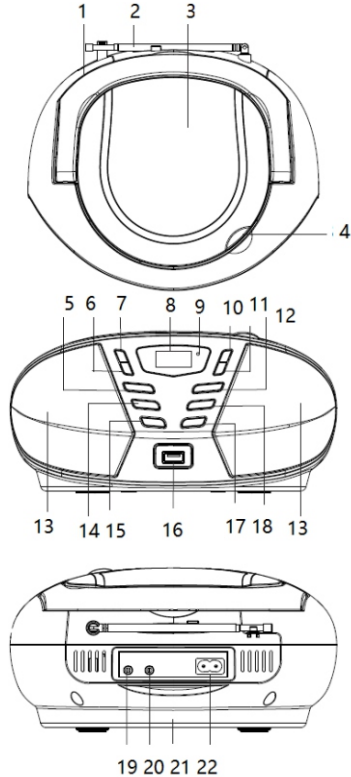
Η εγγραφή και αναπαραγωγή υλικού μπορεί να απαιτήσει σχετική άδεια. Βλέπε το περί πνευματικών δικαιωμάτων και των δικαιωμάτων/δημιουργών/καλλιτεχνών νόμο.

#### Παρατήρηση σχετικά με τις ERP2 (Συσκευές σχετικά με την ενέργεια)

Η παρούσα συσκευή είναι οικολογικού σχεδιασμού και πληροί τις απατήσεις της φάσης 2 του Κανονισμού (ΕΚ) αριθ. 1275/2008 της Επιτροπής περί εφαρμογής της οδηγίας 2009/125/ΕΚ σχετικά με την κατανάλωση ενέργειας σε κατάσταση απενεργοποίησης και αναμονής του ηλεκτρικού και ηλεκτρονικού εξοπλισμού γραφείου και οικιακού εξοπλισμού.

**ΛΕΙΤΟΥΡΓΙΕΣ ΣΤΟΙΧΕΙΩΝ ΕΛΕΓΧΟΥ**

1. Πτυσσόμενη λαβή
2. Τηλεσκοπική κεραία FM
3. Πόρτα υποδοχής CD
4. Άνοιγμα της πόρτας υποδοχής CD
5. Κουμπί PROG/MEM/MODE
6. Κουμπί μετάβασης στο προηγούμενο κομμάτι / γρήγορη κίνηση προς τα πίσω
7. Κουμπί μετάβασης στο επόμενο κομμάτι / γρήγορη κίνηση προς τα εμπρός
8. Ενδειξη αναμονής
9. Ενδειξη LCD
10. Κουμπί αναπαραγωγής/παύσης/CH+
11. Κουμπί διακοπής/CH-
12. Κουμπί FOLDER/10+
13. Ήχεια
14. Κουμπί VOL-
15. Κουμπί SOURCE
16. Θύρα USB
17. Κουμπί ενεργοποίησης/της λειτουργίας αναμονής
18. Κουμπί VOL+
19. Θήκη μπαταριών
20. Υποδοχή ρεύματος AC
21. Υποδοχή ακουστικών
22. Υποδοχή AUX IN


**ΤΡΟΦΟΔΟΣΙΑ**
**Με μπαταρίες**

1. Αφαιρέστε προσεκτικά το καπάκι της θήκης μπαταριών.
2. Τοποθετήστε έξι μπαταρίες «C» (UM-2 ή ισοδύναμες) με σωστή πολικότητα.
3. Επανατοποθετήστε το καπάκι της θήκης μπαταριών.

**ΠΡΟΣΟΧΗ:**

Αποσυνδέστε το μετασχηματιστή AC από την είσοδο τροφοδοσίας DC IN της συσκευής για να ενεργοποιηστεί η τροφοδοσία από την μπαταρία.

Οι διαρρέουσες μπαταρίες μπορούν να προκαλέσουν βλάβη στη θήκη μπαταριών και σε ολόκληρη τη συσκευή αναπαραγωγής. Συνεπώς, αφαιρέστε τις μπαταρίες από τη θήκη μπαταριών όταν εκφορτιστούν ή όταν η συσκευή δεν θα χρησιμοποιηθεί για μεγάλο χρονικό διάστημα.

**Τροφοδοσία AC:**

Συνδέστε το άκρο του καλωδίου τροφοδοσίας εναλλασσόμενου ρεύματος στην υποδοχή AC IN της συσκευής και το άλλο άκρο στην πρίζα AC. Οι μπαταρίες αποσυνδέονται αυτόματα.

**ΣΗΜΕΙΩΣΗ:** εάν στη συσκευή δεν φτάνει κανένα σήμα ήχου για περισσότερο από μία ώρα, αυτή θα περάσει αυτόματα σε κατάσταση αναμονής (αυτό δεν ισχύει για τη λειτουργία ραδιοφώνου FM).

**ΡΑΔΙΟΦΩΝΟ FM**
**Συντονισμός ραδιοφωνικών σταθμών FM**

1. Η ένδειξη θα ανάψει όταν η συσκευή είναι συνδεδεμένη στην παροχή ρεύματος. Πατήστε το κουμπί ενεργοποίησης/λειτουργίας αναμονής για να ενεργοποιηστεί η συσκευή (η ένδειξη της λειτουργίας αναμονής σβήνει).
2. Πατήστε επανειλημμένα το κουμπί SOURCE για να μεταβείτε στη λειτουργία ραδιοφώνου FM.
3. Για να ξεκινήσετε την αυτόματη αναζήτηση σταθμών, πατήστε και κρατήστε πατημένο για μερικά δευτερόλεπτα το κουμπί μετάβασης στο προηγούμενο κομμάτι/γρήγορης κίνησης προς τα πίσω ή το κουμπί μετάβασης στο επόμενο κομμάτι/γρήγορης κίνησης προς τα εμπρός και στη συνέχεια αφήστε το.
4. Πατήστε το κουμπί μετάβασης στο προηγούμενο κομμάτι/γρήγορης κίνησης προς τα πίσω ή το κουμπί μετάβασης στο επόμενο κομμάτι/γρήγορης κίνησης προς τα εμπρός για συντονισμό με το χέρι σε ραδιοφωνικούς σταθμούς.
5. Ρυθμίστε την ένταση ήχου σε ένα άνετο επίπεδο πατώντας τα κουμπιά VOL +/-.
6. Πατήστε το κουμπί ενεργοποίησης/λειτουργίας αναμονής για να απενεργοποιηστεί η παροχή ρεύματος.

**ΠΡΟΣΟΧΗ:**

Η τηλεσκοπική κεραία FM είναι κατευθυντική. Όταν λαμβάνετε ένα ραδιοφωνικό πρόγραμμα FM, η κεραία θα πρέπει να επεκταθεί πλήρως και να περιστραφεί για καλύτερη λήψη.

**Προεπιλογή αγαπημένων ραδιοφωνικών σταθμών**

1. Συντονιστείτε πρώτα στον αγαπημένο σας ραδιοφωνικό σταθμό, στη συνέχεια πιέστε επανειλημμένα το κουμπί PROG/MEM/MODE για να αποθηκεύσετε τον τρέχοντα σταθμό έως ότου αναβοσβήνει ο αριθμός θέσης μνήμης στην ένδειξη LCD.
2. Επιλέξτε τον αριθμό της θέσης μνήμης με το κουμπί διακοπής/CH- ή το κουμπί αναπαραγωγής/παύσης/CH+.
3. Επιβεβαιώστε την επιλογή σας πατώντας το κουμπί PROG/MEM/MODE.
4. Κατά την ακρόαση του ραδιοφώνου, πατήστε το κουμπί διακοπής/CH- ή το κουμπί αναπαραγωγής/παύσης/CH+ για να επιλέξετε τους αποθηκευμένους σταθμούς.
5. Πατήστε και κρατήστε πατημένο το κουμπί αναπαραγωγής/παύσης για 3 δευτερόλεπτα, η συσκευή θα συντονίσει αυτόματα και θα αποθηκεύσει ραδιοφωνικούς σταθμούς FM (ο μέγιστος αριθμός διαθέσιμων ραδιοφωνικών σταθμών για αποθήκευση είναι 40)

**ΛΕΙΤΟΥΡΓΙΑ****Εισαγωγή δίσκου**

1. Ανοίξτε την πόρτα υποδοχής CD και κρατήστε την.
2. Τοποθετήστε ένα δίσκο στην υποδοχή (με την ετικέτα προς τα επάνω).
3. Κλείστε την υποδοχή CD.

**Αναπαραγωγή δίσκων (CD/MP3)**

1. Πατήστε το κουμπί ενεργοποίησης/λειτουργίας αναμονής για να ενεργοποιήσετε τη συσκευή (η ένδειξη της λειτουργίας αναμονής σβήνει).
2. Επομένως πατήστε το κουμπί SOURCE για να ενεργοποιήσετε τη λειτουργία CD.
3. Ακολουθήστε τα βήματα που περιγράφονται παραπάνω για να εισαγάγετε ένα δίσκο.
4. Η συσκευή αναπαραγωγής θα αρχίσει να διαβάζει το δίσκο.
5. Μετά την επιτυχή ανάγνωση του δίσκου, η αναπαραγωγή θα ξεκινήσει αυτόματα από το πρώτο κομμάτι.
6. Πατήστε μια φορά το κουμπί αναπαραγωγής/παύσης/CH+ για να διακόψετε την αναπαραγωγή. Πατήστε ξανά για να συνεχίσετε την κανονική αναπαραγωγή. Πατήστε το κουμπί διακοπής/CH- για να σταματήσετε την αναπαραγωγή.

**Υποστήριξη συσκευών εξωτερικής αποθήκευσης (USB)**

1. Πατήστε το κουμπί ενεργοποίησης/λειτουργίας αναμονής για να ενεργοποιήσετε τη συσκευή (η ένδειξη της λειτουργίας αναμονής σβήνει).
2. Συνδέστε τη συσκευή USB στη θύρα USB.
3. Επομένως πατήστε το κουμπί SOURCE για να ενεργοποιήσετε τη λειτουργία USB.
4. Μετά τον εντοπισμό και την ανάγνωση του περιεχομένου της συνδεδεμένης συσκευής USB, η αναπαραγωγή ξεκινά αυτόματα από το πρώτο κομμάτι.
5. Πατήστε το κουμπί αναπαραγωγής / παύσης/CH+ για να διακόψετε ή να συνεχίσετε την αναπαραγωγή.
6. Πατήστε το κουμπί διακοπής/CH- για να σταματήσετε την αναπαραγωγή.

**Παράκαμψη κομματιών και αναζήτηση ενός συγκεκριμένου σημείου για αναπαραγωγή (CD/MP3/USB)**

1. Πατήστε μια φορά το κουμπί μετάβασης στο επόμενο κομμάτι/γρήγορης κίνησης προς τα εμπρός για να μεταβείτε στο επόμενο κομμάτι. Πατήστε μια φορά το κουμπί μετάβασης στο προηγούμενο κομμάτι/γρήγορης κίνησης προς τα πίσω για να μεταβείτε στο προηγούμενο κομμάτι.
2. Πατήστε και κρατήστε πατημένο το κουμπί μετάβασης στο επόμενο/προηγούμενο κομμάτι/γρήγορης κίνησης προς τα μπρος/προς τα πίσω για να μεταβείτε γρήγορα σε ένα συγκεκριμένο σημείο μέσα στο κομμάτι.
3. Κατά τη διάρκεια της αναπαραγωγής, πατήστε μια φορά το FOLDER/10+ για να μεταβείτε 10 κομμάτια προς τα εμπρός και δύο φορές για να μεταβείτε 20 κομμάτια προς τα εμπρός. Χρησιμοποιήστε αυτό το κουμπί για να μεταβείτε στο τελευταίο κομμάτι του δίσκου.

**Μετάβαση στον προηγούμενο/επόμενο φάκελο (MP3/USB)**

1. Κατά τη διάρκεια της αναπαραγωγής, πατήστε και κρατήστε πατημένο το κουμπί FOLDER/10+ μέχρι να αναβοσβήνει ο αριθμός φακέλου στην ένδειξη.
2. Πατήστε το κουμπί μετάβασης στο προηγούμενο κομμάτι/γρήγορης κίνησης προς τα πίσω ή το κουμπί μετάβασης στο επόμενο κομμάτι/γρήγορης κίνησης προς τα εμπρός για να επιλέξετε τον επιθυμητό φάκελο.
3. Όταν εμφανιστεί ο αριθμός φακέλου στην ένδειξη, πατήστε το πλήκτρο FOLDER/10+ για επιβεβαίωση.

**Αναπαραγωγή με επανάληψη (CD/MP3/USB)**

Κατά τη διάρκεια της αναπαραγωγής, πιέστε το κουμπί PROG/MEM/MODE για να επαναλάβετε ένα κομμάτι. Πατήστε το κουμπί δύο φορές για να επαναλάβετε όλα τα κομμάτια. Πατήστε το κουμπί τρεις φορές για να αρχίσετε την αναπαραγωγή της αρχής των κομματιών. Πατήστε το κουμπί τέσσερις φορές για να μεταβείτε στη λειτουργία τυχαίας αναπαραγωγής. Πατήστε το κουμπί πέντε φορές για να τερματίσετε τη λειτουργία.

**Προγραμματιζόμενη αναπαραγωγή (CD/MP3/USB)**

1. Σε κατάσταση διακοπής, πατήστε μια φορά το κουμπί PROG/MEM/MODE, θα εμφανιστεί πρώτα το εικονίδιο προγράμματος με το σύμβολο «P01», τότε στην ένδειξη LCD θα αναβοσβήσει ο αριθμός με το εικονίδιο του προγράμματος.
2. Επιλέξτε το πρώτο κομμάτι που θα προγραμματιστεί με το κουμπί μετάβασης στο επόμενο/προηγούμενο κομμάτι/γρήγορης κίνησης προς τα εμπρός/προς τα πίσω και, στη συνέχεια, πατήστε ξανά το κουμπί PROG/MEM/MODE για να το αποθηκεύσετε και να πάτε στο επόμενο βήμα προγραμματισμού (αν ο δίσκος MP3 ή η μνήμη USB έχει πολλούς φακέλους, πρέπει πρώτα να προγραμματίσετε τους φακέλους και στη συνέχεια τα κομμάτια. Ο τρόπος προγραμματισμού φακέλων είναι ο ίδιος με το προγραμματισμό των κομματιών).

3. Επαναλάβετε τα παραπάνω βήματα για να προγραμματίσετε περισσότερα κομμάτια. Μπορούν να προγραμματιστούν έως και 20 κομμάτια για ένα CD και 99 κομμάτια για ένα δίσκο Mp3/μια μνήμη USB. Εάν η μνήμη της συσκευής είναι γεμάτη, θα εμφανιστεί η ένδειξη «FULL».
4. Πατήστε το κουμπί αναπαραγωγής/παύσης/CH+ για να ξεκινήσει η αναπαραγωγή με την προγραμματισμένη σειρά. Η αναπαραγωγή θα τερματιστεί μετά την αναπαραγωγή όλων των προγραμματισμένων κομματιών.
5. Πατήστε το κουμπί διακοπής/CH- για να σταματήσετε την προγραμματισμένη αναπαραγωγή. Αφού σταματήσετε την προγραμματισμένη αναπαραγωγή, πατήστε το κουμπί αναπαραγωγής/παύσης/CH + για να ξεκινήσετε την προγραμματισμένη αναπαραγωγή με την προηγούμενη σειρά. Πατήστε το κουμπί διακοπής/CH- για να ακυρώσετε το πρόγραμμα.

**Είσοδος AUX**

1. Συνδέστε μια εξωτερική συσκευή με ένα καλώδιο ήχου - π.χ. μια συσκευή αναπαραγωγής MP3 - στην υποδοχή AUX IN.
2. Ενεργοποιήστε την τροφοδοσία της συσκευής ακολουθώντας τα κατάλληλα βήματα.
3. Επομένως πατήστε το κουμπί SOURCE για να ενεργοποιήσετε τη λειτουργία AUX.
4. Ελέγξτε την αναπαραγωγή μουσικής χρησιμοποιώντας τα στοιχεία ελέγχου της εξωτερικής συσκευής.

**ΥΠΟΔΟΧΗ ΑΚΟΥΣΤΙΚΩΝ**

Στο πίσω μέρος της συσκευής υπάρχει μια υποδοχή σύνδεσης των ακουστικών, η οποία σας επιτρέπει να ακούτε μουσική χωρίς να διαταράσσετε την ησυχία άλλων ανθρώπων γύρω σας. Συνδέστε ένα σετ ακουστικών/μικρών ακουστικών (δεν περιλαμβάνεται) και ρυθμίστε την ένταση στο επιθυμητό επίπεδο.  
ΠΡΟΣΟΧΗ: Η σύνδεση εξωτερικών ακουστικών απενεργοποιεί τα ηχεία.  
ΠΡΟΕΙΔΟΠΟΙΗΣΗ: Η ακρόαση της δυνατής μουσικής μέσω ακουστικών για μεγάλο χρονικό διάστημα ενδέχεται να προκαλέσει βλάβη στην ακοή σας.

**ΤΕΧΝΙΚΑ ΣΤΟΙΧΕΙΑ**

**Ισχύς εξόδου:** 1,2 W x 2, συνολική αρμονική παραμόρφωση 10%

**Ραδιόφωνο FM με βρόχο PLL** 87,5–108 MHz

**USB:** έκδοση USB 2.0

**Κατανάλωση ισχύος σε κατάσταση αναμονής:** <0,5 W

**Πηγή τροφοδοσίας** AC IN, 230 V ~ 50 / 60Hz

**Μπαταρίες:** UM2 x 6 (δεν περιλαμβάνονται οι μπαταρίες).



## HOIATUS



HOIATUS

ELEKTRILÖÖGIOHT  
MITTE AVADA**Hoiatus:**

Elektrilöögi ohu vähendamiseks ei tohi seadme katet ega tagumist osa lahti monteerida. Seadmes ei ole kasutajapoolseks iseseisvaks parandamiseks ette nähtud elemente. Seadme hoolduse ja parandamisega tegelevad ainult teeninduse kvalifitseeritud töötajad.

**Graafiliste sümbolite selgitus:**

Välgunool e sümbol võrdkõlgses kolmnurgas hoiatab kasutajat seadme sees esinevast isoleerimata „ohtlikust pingest“, mis võib saavutada elektrilöögi ohuga ähvardava tugevuse.



Hüüumärk võrdkõlgses kolmnurgas hoiatab kasutajat sellest, et antud hetkel edastatakse seadmega kaasas olevas dokumendis seadme teenindust ja hooldust käsitlevat olulist teavet.

Enne seadme teenindamise alustamist palume käesolev juhend, selle funktsioonidega tutvumiseks ja sihttoetstarbeliseks kasutamiseks, läbi lugeda. See tagab seadme kauakestva, riketeta teeninduse ja kasutusrõõmu.

**Ouline informatsioon.**

- Teenindusjuhend ja ohutust käsitlev teave tuleb edaspidiseks kasutuseks säilitada.
- Ei tohi lasta tekkida olukorral, kui seadmele või selle sisemusse tilgub vesi.
- Samuti ei tohi seadet kasutada niisketes kohtades, nagu nt vannituba.
- Antud seadet ei tohi paigaldada järgnevatesse kohtadesse:
- Mis on avatud päikesekiirguse vahetule toimele või radiaatorite läheduses.
- Asetada muu, soojust eraldava, stereofoonilise varustuse peale.
- Blokeerides ventilatsiooni või tolmusesse kohta.
- Pidevale vibratsioonile allutatud kohtadesse.
- Kõrge niiskustasemega kohtadesse.
- Seadet ei tohi asetada küünalde või avatud tule lähedusse.
- Seadet võib kasutada ainult käesolevas juhendis kirjeldatud viisil.
- Enne toite esimest sisselülitamist tuleb veenduda, et toide oleks õigesti ühendatud.
- USB mälu ühendatakse vahetult või kuni 25 cm pikkuse USB pikendusjuhtmega.

Ohutuse seisukohalt ei tohi korpusseid lahti võtta ega üritada seadme sisemusse tungida. Seadet võivad parandada ainult teeninduse kvalifitseeritud töötajad.

Seadet ei tohi lahti keerata ega selle korpusi avada, sest selles ei ole kasutaja poolt parandatavaid osi. Seadme hoolduse ja parandamisega tegelevad ainult teeninduse kvalifitseeritud töötajad.

**OHUTUST KÄSITLEV OULINE TEAVE**

1. Lugeda juhend läbi – enne seadme kasutamist alustamist tuleb kogu teenindusjuhend ja ohutust käsitlev teave läbi lugeda.
2. Säilitada juhend – kasutus- ja teenindusjuhend tuleb edaspidiseks kasutuseks säilitada.
3. Järgida hoiatusi – toimida kooskõlas kõikide seadmel paiknevate hoiatuste ja teenindusjuhendiga.
4. Järgida juhiseid – toimida kooskõlas teenindusjuhendi ja kasutajale mõeldud juhistega.
5. Paigaldus – paigaldada seade kooskõlas tootja juhistega.
6. Toiteallikad – seadme toiteks peab kasutama ainult toitekaabli märgistustel antud parameetritega allikaid. Juhul kui kasutaja ei ole kindel kodus oleva toite liigis, peab ta ühendust võtma seadme müüja või kohaliku elektrienenergia tarnijaga.
7. Toite maandus ja polaarsus – seade ei pea olema maandatud. Vältimaks tihvtide või klemmide paljastumist veenduda, et pistik oleks võrgupessa või pikendusese sisestatud lõpuni. Mõned seadme versioonid võivad olla varustatud vahelduvvoolu polaarse pistikuga (üks tihvt laiem). Selliseid pistikuid võib sisestada võrgupessa ainult ühel viisil. See on kaitsefunktsioon. Kui pistikut ei saa pessa sisestada tuleb proovida seda pöörata. Kui pistik ei sobi ka siis pesaga tuleb elektrikul tellida selle väljavahetamine. Polaarselt pistikut ei tohi kaitseid eemaldada. Kasutades muud pikendusjuhet või toitekaablit, kui seadmega koos tarnitavat, peavad neil olema asjakohased pistikute, võrgupesadele ja kohtadele, kus kaabel läbi veetakse.
8. Toitekaabli kaitse – toitekaabel tuleb vedada nii, et selle peal ei oleks võimalik kõndida, seda suruda või asetatud esemetega vigastada. Pöörata erilist tähelepanu pistikutele, võrgupesadele ja kohtadele, kus kaabel läbi veetakse.
9. Ülekormamine – seinakontakte, pikendusjuhtmeid ja vargapesasid ei tohi üle koormata, sest see ohustab tulekahju puhkemise või elektrilöögi.
10. Ventilatsioon – seadet tuleb korralikult ventileerida. Seadet ei tohi asetada voodile, diivanile või muudele sarnastele pindadele. Seadet ei tohi katta laulainade, salvrätikute, ajalehtede jms.
11. Soojus – mitte asetada seadet soojusallikate, nagu radiaatorid, kiirgurid, ahjud või muud soojust eritavad seadmed (ka võimendid), lähedale. Mitte asetada seadmele põlevaid künnlaid ja muid avatud tule allikaid.
12. Vesi ja niiskus – tulekahju või elektrilöögi ohu vähendamiseks ei tohi seadet vihma, vee ja niiskuse vahetule toimele, nagu nt saunas või vannitoas, allutada. Mitte kasutada käesolevat seadet vee, näiteks vanni, kraanikausi, köögivalamu või pesupali, läheduses, niiskes keldris või basseini juures (või sarnastes kohtades).
13. Esemed ja vedelikud seadmes – läbi seadme avade ei tohi sisse suruda mingeid esemeid, sest need võivad kokku puutuda ohtliku pinge punktidega, mis omakorda võib põhjustada tulekahju või elektrilöögi. Mitte mingil juhul ei tohi seadme pindadele mingeid vedelikke kallata. Seadmele ei tohi asetada vedelikke sisaldavaid esemeid.
14. Puhastamine – enne puhastamist tuleb seade alati võrgupesast lahti ühendada. Kõlari ümbruses võib tolmu eemaldada kuiva lapiga. Kasutades puhastamiseks aerosooli ei tohi pritsimisvoogu suunata vahetult seadmele vaid lapile. Tuleb jälgida, et ajamiüksused kahjustusi ei saaks.
15. Täiendav varustus – keelatud on kasutada tarvikuid, mis ei ole tootja poolt lubatud, sest võivad osutada ohuallikateks.

16. Tarvikud – seadet ei tohi asetada ebastabiilsele kärule, alusraamile, statiivile, tugialusele või lauale. Seade võib ümber kukkuda ja saada kahjustusi ning vigastada tõsiselt last või täiskasvanut. Kasutada ainult tootja poolt määratletud või koos seadmega müüdavaid kärusid, alusraame, statiive, tugialuseid või laudu. Seadme paigaldust tuleb teostada kooskõlas tootja juhistega, kasutades tootja poolt soovitatud paigalduskomplekti.
17. Seadme teistsaldamine – kärule paigutatud seadet tuleb sõidutada väga ettevaatlikult. Äkiline pidurdamine, ülemäärane jõud või ebatasane pind võivad põhjustada käruga ja seadme ümberminekku.
18. Seadme mittekasutamise periood – toitekaabel tuleb äikesetormide ajal või kui seadet pikema aja jooksul ei kasutata võrgupesast lahti ühendada.
19. Teenindus – keelatud on seadme ülevaltust omakäeliselt läbi viia. Avatud katted võivad põhjustada kokkupuudet ohtliku pingega ja osutada ohtlikuks. Seadme hoolduse ja parandamisega tegelevad ainult teeninduse kvalifitseeritud töötajad.
20. Kui seadet ei kasutata, tuleb selle pistik võrgupesast lahti ühendada. Toiteallikaga ühendatuna on seade ooterežiimis ja ei ole täielikult välja lülitatud.
21. Varuosad – osade väljavahetamisel tuleb kontrollida kas teeninduse töötaja on kasutanud tootja poolt soovitatud varuosid või kas osad on originaalosadega identsed. Väljavahetamine kinnitamata osade vastu ohustab tulekahju puhkemise, elektrilöögi ja muude turvariskidega.
22. Peakaitsemed – seadme alalise tulekahjuvastaseks kaitseks tuleb kasutada õiget tüüpi ja asjakohaste parameetritega kaitsemeid. Antud pingela kaitsete parameetrid on märgitud seadmele.
23. Helitegevust ei tohi muusikapala valikse osa kuulamisel või audio sisendsignaali puudumisel tõsta. Vastasel juhul võib signaali äkiline tugevnemine kõlarit kahjustada.
24. Seadme toiteallikast täieliku lahtiühendamise ainsaks viisiks on toitekaabli toitepesast või seadme eemaldamine. Võrgupesast või toitekaabli seadme sisend peavad toote kasutamise käigus alati juurdepääsetavad olema.
25. Seade tuleb paigutada võrgupesast või pikendusjuhtme lähedusse nii, et need oleks alati juurdepääsetavad.
26. Seadme keskkonna maksimaalne temperatuur võib olla kuni 35°C.
27. Elektrostaatilisest laadusest puudutavad juhised – kui seadme töö on häiritud elektrostaatilisest laadusest tuleb see välja lülitada ja seejärel uuesti sisse lülitada või teise kohta ümber tõsta.
28. Patareid
  - a. Patareid ei tohi allutada ülemäärase soojuse, nagu nt päikesekiired, tuli jms, toimele.
  - b. Patareide utiliseerimisel tuleb pöörata tähelepanu keskkonnakaitse aspektidele.
- c. Patareide kasutamist puudutav hoiatus: patareidel ei tohi lasta kuluda kuni lekkimiseni, mis võib põhjustada kahvigestust ja seadme kahjustusi:
  - Patareide sisestamisel pöörata tähelepanu nende polaarusele (+ ja -).
  - Ei tohi kasutada samaaegselt erinevaid patareid — vanu ja uusi, standardseid ja alkaalipatareid, jne.
  - Kui seadet pikema aja jooksul ei kasutata, tuleb patareid välja võtta.

## HOIATUS

- Seadet ei tohi kasutada piiratud füüsiliste, sensoorsete ja psüühiliste võimetega või seadmega töötamise kogemusi või teadmisi mitte omavad inimesed (sealhulgas lapsed), kui nad ei viibi nende ohtuse eest vastutavate isikute järelevalve all või kui neid ei ole seadme ohutu kasutamise teemal instrueeritud. Kui seadet teenindavad lapsed, on nõutav täiskasvanute kohaolek; see võimaldab tagada seadme ohutu kasutuse.
1. Keelatud on töötavate seadet järelevalveta jätta! Kui seadet isegi lühikese aja jooksul ei kasutata, tuleb see välja lülitada.
  2. Seadet ei tohi teenindada taimeriga välise kella vahendusel ega eraldi asetseva kaugjuhtimisega süsteemi abil.
  3. Toitejuhtme kahjustuste korral ohtude vältimiseks peab väljavahetamist teostama tootja, autoriseeritud teeninduspunkt või muu, asjakohast kvalifikatsiooni omav isik.
  4. Enne seadme teenindamise juurde asumist tuleb veenduda, et selle pinge vastab kohalikus toitevõrgus esinevale pingele.
  5. Seadme ventilatsioonivärsid ei tohi kinni katta, nt ajalehtede, laualina, kardinatega, jms. Tuleb veenduda, et seadme kohal on vähemalt 20 cm vaba ruumi ja sellel igal küljel — vähemalt 5 cm.
  6. Ei tohi lasta tekkida olukorral kui seadmele või selle sisemusse tilgub või voolab vedelik ega tohi sellele asetada vedelikega täidetud esemeid, selliseid nagu vaasid.
  7. Tulekahju või elektrilöögi vältimiseks tuleb seadet kaitsta kuumade kohtade, vihma, niiskuse ja tolmu toime eest.
  8. Seadet ei tohi paigutada mingite veeallikate, nt kraanide, vannide, pesumasinate või ujumisbasseinide lähedusse. Seade tuleb asetada tasasele ja stabiilsele aluspinnale.
  9. Seadet ei tohi allutada tugevate magnetväljade toimele.
  10. Vahetult võimendile või vastuvõtjale seadet asetada ei tohi.
  11. Seadet ei tohi viia niiskesse kohta, sest niiskusel on elektrilistele allüksustele kahjulik mõju.
  12. Peale seadme külmast sooja või niiskesse kohta toomist võib mängija sees olevale läätsele tekkida niiskuse kondensatsioon. Sellises olukorras seade korralikult tööle ei hakka. Niiskuse aurumise võimaldamiseks tuleb sisselülitatud seade jätta umbes tunniks ajaks seisma.
  13. Seadet ei tohi puhastada keemiliste lahustitega, sest need võivad kahjustada korpuse lakikihti. Seadet pühitakse puhta, kuiva või vähesel määral niisutatud lapiga.
  14. Pistiku seinakontaktist eemaldamisel tuleb alati tõmmata pistikut, mitte aga toitekaablit.
  15. Kui sisselülitatud seadet kasutatakse sisselülitatud teleri läheduses võib see osutada ekraanil joontena nähtavate häirete allikaks. Sõltub TV ülekande laineribast. See ei tähenda aga ei seadme ega teleri väärt töötamist. Selliste joonte ilmlemisel tuleb seade telerist eemale nihutada.
  16. Võrgupistikut kasutatakse toitepinge lahti ühendamiseks ja see peab alati juurdepääsetav olema.
  17. CD plaatide esitamise laserpea puhtana hoidmiseks ei tohi seda puutuda ja plaadisalv tuleb alati suletuna hoida.
  18. Mängimise ajal pöörleb plaat suure kiirusega. Muusika esitamise ajal EI TOHI seadet tõsta ega liigutada, sest selline tegevus võib põhjustada plaadi või seadme kahjustusi.
  19. Enne seadme teise kohta viimist või kolimise ajaks tuleb plaat välja võtta ja plaadisalv sulgeda. Seejärel tuleb välja lülitada toide ja ühendada lahti toitekaabel. Seadme teistsaldamine plaadiga salves võib põhjustada selle kahjustusi.
  20. Peale plaadi mängimist tuleb see panna oma pakendisse. Plaat ei tohi jätta päikesekiirte ja soojusallikate vahetusse mõjuvalda. Plaat ei tohi jätta lauspäikse alla pargitud autosse.

21. Ei tohi puutada plaatide etiketita pooli. Sõrmejälgede vältimiseks hoida plaati servast. Tolm, sõrmejäljed või kriimustused võivad põhjustada mängija väärat töötamist. Plaadile ei tohi kleepida silte või isekleepuvat teipi.
22. Plaadid puhastamiseks kasutatakse puhast, ebameid mitte jätvat lappi. Plaadid puhastamist alustatakse selle keskosast äärte suunas kulgevate sirgjooneliste liigutustega, kasutades selleks üldjuurdepääsetavaid vinüülplaatide puhastusvahendeid.
23. Võimalike kuulmiskahjustuste vältimiseks ei tohi muusikat pikemat aega valjult kuulata.



**HOIATUS: KIIRGUSE ALLIKAS**

CLASS 1 LASER PRODUCT  
LUOKAN 1 LASERLAITE  
KLASS 1 LASERAPPARAT



**ENNE TÖÖ ALUSTAMIST**

Märkused: kompaktplaate puudutavad.

Kuna määratud, kahjustatud või deformeerunud plaadid võivad põhjustada seadme kahjustusi, tuleb tähelepanu pöörata järgnevatele elementidele:

- a. Kasutamiskõlblikud kompaktplaadid. Kasutada võib ainult allpool märgitud plaate.
- b. CD plaadid ainult digitaalse audioheliga.

**TÄHELEPANU**



**Deklaratsioon**

Blaupunkt Competence Center 2N-Everpol Sp. z o.o. teavitab käesolevaga, et seade vastab direktiivi 2014/53 / EL nõuetele ja selle muudele asjakohastele sätetele. Täielik vastavusdeklaratsioon asub leheküljel [www.blaupunkt.com](http://www.blaupunkt.com) toote järjehoidjas.

Vastutav ettevõtte: 2N-Everpol Sp. Z O.O.

Puławska 403A, 02-801 Varssavi, Poola

Telefon: +48 22 331 99 59, e-mail: [info@everpol.pl](mailto:info@everpol.pl)



Toode on toodetud kõrgkvaliteetsetest taastootmisesse suunatavatest ja taaskasutatavatest materjalidest ning allüksustest.



Seadmel paiknev läbitõmmatud prügikorvi sümbol tähendab, et toode on hõlmatud Euroopa direktiivi 2012/19/EU sätetega. Tutvuda kohaliku süsteemi elektriliste ja elektrooniliste jäätmete käitlemist puudutavate nõuetega. Toimida kooskõlas kehtivate eeskirjadega. Käesolevat toodet ei tohi ära visata koos tavaliste olmejäätmetega. Vana toote õige kõrvaldamine väldib potentsiaalseid looduskeskkonnale ja inimtervisele kahju tekitavaid tagajärgi.



Seade on varustatud Euroopa direktiiviga 2006/66/EC hõlmatud patareidega. Patareide äraviskamine koos kodumajapidamisjäätmetega on keelatud. Tutvuda patareide eraldiasetsevalt kogumist käsitlevate kohalike eeskirjadega, sest õige utiliseerimine väldib potentsiaalseid looduskeskkonnale ja inimtervisele kahju tekitavaid tagajärgi.

**Looduskeskkonna kaitset käsitlev teave**

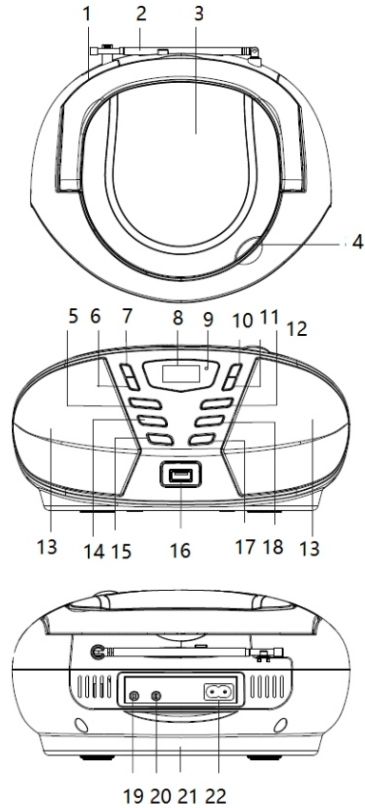
Pakend sisaldab ainult vajalikke elemente. Tehtud on kõik endast olenev, et kolm koostismaterjali oleks hõlpsasti eraldatavad: papp (kast), polüütreenvaht (seesmine kaitse) ja polüetüleen (kotid, kaitsepoogen). Toode on toodetud materjalidest, mida saab suunata taastootmisesse ja peale nende eriotstarbelise ettevõtte poolt demonteerimist, uuesti kasutada. Järgida pakendmaterjalide, patareide ja kasutatud seadmete utiliseerimist käsitlevaid kohalikke ettekirjutusi. Materjalide salvestamiseks ja esitamiseks võib vaja minna nõusolekut. Tutvuge autoriõiguse ja esinejate/kunstnike õiguste seadusega.

**ERP2 (elektrienergiaga seotud seadmed) puudutav märkus**

Käeolev ökoprojektiga seade vastab vastab ökoprojektide nõudeid käsitleva KOMISJONI (EÜ) MÄÄRUSE nr 1275/2008 kontori- ja kodukasutuseks mõeldud seadmete väljalülitatuna ja ooterežiimis energiatarbimist puudutava direktiivi 2009/125/WE jõustava 2. etapi nõuetele.

**JUHTELEMENTIDE FUNKTSIOONID**

1. Kokkupandav sang
2. FM teleskoopantenn
3. CD kambri kaas
4. CD kambri kaane avaja
5. Nupp PROG/MEM/MODE
6. Eelmisele muusikapalale liikumise/tagasikerimise nupp
7. Järgmisele muusikapalale liikumise/edasikerimise nupp
8. Ooterežiimi näidik
9. LCD kuvar
10. Esitamise/pausi/CH+ nupp
11. Peatamise/CH- nupp
12. FOLDER/10+ nupp
13. Kõlarid
14. Nupp VOL-
15. Nupp SOURCE
16. USB port
17. Sisselülitamise/ooterežiimi nupp
18. Nupp VOL+
19. Patareikamber
20. AC toite pesa
21. Kuularite ühendamise pesa
22. AUX IN pesa


**TOIDE**
**Patareitoide**

1. Võta ettevaatlikult maha patareikambri kate.
2. Sisesta 6 patareid „C“ (UM-2 või selle vasted), säilitades õige polaarsuse.
3. Paigalda patareikambri kate.

**TÄHELEPANU:**

Seadme patareitoite võimaldamiseks tuleb võrgutoide DC toite sisendist IN lahti ühendada.

Lekkivad patareid võivad patareikambrit ja kogu mängijat kahjustada. Seetõttu tuleb seadme pikema aja jooksul mittekasutamise korral patareid kambrist välja võtta.

**Võrgutoide AC**

Ühenda vahelduvvoolu toitejuhtme otsik seadmel paiknevasse AC IN pesa ja teine pistik AC seinakontakti. Patareitoide lülitub automaatselt välja.

**TÄHELEPANU:** kui seadmele enam kui tunni jooksul ühtegi audiosignaali ei anta lülitub see automaatselt ooterežiimi (ei puuduta FM raadio režiimi).

**FM raadio**
**FM raadiijaamade häälestamine**

1. Näidik lülitub sisse peale seadme võrgutoitega ühendamist. Seadme sisselülitamiseks vajuta sisselülitamise/ooterežiimi nuppu (ooterežiimi näidik kustub).
2. FM raadiorežiimi minekuks vajuta järgnevalt nuppu SOURCE.
3. Jaamade automaatse otsingu käivitamiseks vajuta ja hoida mõne sekundi jooksul eelmisele muusikapalale liikumise/tagasikerimise või järgmisele muusikapalale liikumise/edasikerimise nuppu ning vabasta see seejärel.
4. Raadiojaamade käsitsi häälestamiseks vajuta eelmisele muusikapalale liikumise/tagasikerimise või järgmisele muusikapalale liikumise/edasikerimise nuppu.
5. Vajutades nuppu VOL+/- määra mugav helitugevuse tase.
6. Toite väljalülitamiseks vajuta sisselülitamise/ooterežiimi nuppu.

**TÄHELEPANU:**

FM teleskoopantenn on suunata. FM raadioedastuse vastuvõtmise ajal tuleb see täielikult välja tõmmata ja parema vastuvõtu saavutamiseks õigesse suunda keerata.

**Lemmikraadiojaamade programmeerimine**

1. Häälesta kõigepealt lemmikraadiojaam; seejärel vajuta jooksva jaama salvestamiseks nuppu PROG/MEM/MODE kuni LCD kuvaril hakkab vilkuma mäluks number.
2. Vali mäluks number peatamise/CH- või esitamise/pausi/CH+ nupuga.
3. Kinnita valik nupuga PROG/MEM/MODE.
4. Salvestatud jaama valimiseks vajuta raadio kuulamise ajal peatamise/CH- või esitamise/pausi/CH+ nuppu.
5. Vajuta ja hõia esitamise/pausi nuppu 3 sekundit, seade häälestab ja salvestab FM raadiojaama automaatselt (salvestamiseks saadaolevate raadiojaamade maksimaalne arv on 40)

**KASUTAMINE****Plaadi laadimine**

1. Ava avajast hoides CD kambri kaas.
2. Sisesta plaat kambrisse (etiketiga ülespoole).
3. Sule plaadi kambri kaas.

**Plaadi (CD/MP3) mängimine**

1. Seadme sisselülitamiseks vajuta sisselülitamise/ooterežiimi nuppu (ooterežiimi näidik kustub).
2. Seejärel vajuta CD režiimi sisselülitamiseks nuppu SOURCE.
3. Plaadi laadimiseks soorita ülalkirjeldatud toimingud.
4. Mängija hakkab plaati lugema.
5. Peale plaadi vaikimisi lugemist algab automaatselt esimesest helirajast alates selle esitus.
6. Mängimise katkestamiseks vajuta üks kord esitamise/pausi/CH+ nuppu; normaalse mängimise taasalustamiseks vajuta nuppu uuesti; mängimise peatamiseks vajuta peatamise/CH- nuppu.

**Välise mälu seadme (USB) teenindamine**

1. Seadme sisselülitamiseks vajuta sisselülitamise/ooterežiimi nuppu (ooterežiimi näidik kustub).
2. Ühenda USB seade USB porti.
3. Seejärel vajuta USB režiimi sisselülitamiseks nuppu SOURCE.
4. Peale ühendatud USB seadme sisu tuvastamist ja lugemist algab automaatselt esimesest helirajast alates selle esitus.
5. Esitamise katkestamiseks või taasalustamiseks vajuta esitamise/pausi/CH+ nuppu.
6. Esitamise peatamiseks vajuta peatamise/CH- nuppu.

**Heliradade vahelejätmine ja määratletud esituse koha otsing (CD/MP3/USB)**

1. Järgmisele muusikapalale liikumiseks vajuta järgmisele muusikapalale liikumise/edasikerimise nuppu üks kord. Eelmisele muusikapalale liikumiseks vajuta eelmisele muusikapalale liikumise/tagasikerimise nuppu üks kord.
2. Muusikapalal kiiresti määratletud kohale liikumiseks vajuta ja hõia järgmisele/eelmisele muusikapalale liikumise/edasi/tagasi kerimise nuppu.
3. 10 heliraja võrra edasi liikumiseks vajuta nuppu FOLDER/10+ üks kord, 20 heliraja võrra edasi liikumiseks kaks korda. Selle nupu abil võid liikuda plaadi viimasele helirajale.

**Eelmisele/järgmisele kaustale (MP3/USB) liikumine**

1. Vajuta ja hõia esitamise ajal nuppu FOLDER/10+ kuni kausta numbri kuvaril vilkuma hakkamise hetkeni.
2. Soovitud kausta valimiseks vajuta eelmisele muusikapalale liikumise/tagasikerimise või järgmisele muusikapalale liikumise/edasikerimise nuppu.
3. Peale kausta numbri kuvarile ilmumist vajuta kinnitamiseks nuppu FOLDER/10+.

**Kordusega esitamine (CD/MP3/USB)**

Ühe heliraja esituse kordamiseks vajuta mängimise ajal nuppu PROG/MEM/MODE; kõikide heliradade esituse kordamiseks vajuta nuppu kaks korda; heliradade alguste esituse alustamiseks vajuta nuppu kolm korda; juhuesituse režiimi sisselülitamiseks vajuta nuppu neli korda; funktsiooni lõpetamiseks vajuta nuppu viis korda.

**(CD/MP3/USB) programmeeritud esitamine**

1. Peatamise režiimis vajuta üks kord nuppu PROG/MEM/MODE, kõigepealt kuvatakse programmi ikoon sümboliga „P01“, seejärel hakkab LCD kuvaril vilkuma number koos programmi ikooniga.
2. Vali järgmisele/eelmisele muusikapalale liikumise/edasi/tagasikerimise nupuga programmeerimiseks esimene helirada ja vajuta selle salvestamiseks ning programmeerimise järgmisele sammule liikumiseks uuesti nuppu PROG/MEM/MODE (kui MP3 plaadil või USB mälus on mitu kausta, tuleb kõigepealt programmeerida kaustad ja seejärel helirajad. Kaustad programmeeritakse sarnaselt heliradadele).
3. Enamate heliradade programmeerimiseks korda ülaltoodud toimingud. CD plaadi puhul võib mälu programmeerida maksimaalselt 20 helirada ja MP3 plaadi/USB mälu korral 99 helirada. Mälu täitumise korral kuvatakse teade „FULL“.
4. Programmeeritud järjekorras esitamise alustamiseks vajuta esitamise/pausi/CH+ nuppu. Mängimine lõpeb peale kõikide programmeeritud heliradade esitamist.
5. Programmeeritud esituse peatamiseks vajuta peatamise/CH- nuppu. Peale programmeeritud esituse peatamist vajuta eelmises järjestuses esitamise alustamiseks esitamise/pausi/CH+ nuppu; programmi kustutamiseks vajuta peatamise/CH- nuppu.

**AUX sisend**

1. Ühenda väline seade — nt MP3 mängija — kaabliga AUX IN sisendisse.
2. Teostades asjakohased toimingud lülita sisse seadme toide.
3. Seejärel vajuta AUX režiimi sisselülitamiseks nuppu SOURCE.
4. Juhi muusika esitamist välise seadme juhtelementide abil.

**KUULARITE ÜHENDAMISE PESA**

Seadme tagaosas paikneb teiste ümbruskonnas viibijate rahu häirimiseta muusika kuulmist võimaldavate kuularite ühendamise pesa. Ühenda kuularite komplekt/kõrvaklapid (EI KUULU komplekti) ja määra soovitud helitugevuse tase.

TÄHELEPANU: Välise kuularite ühendamine lülitab kõlarid välja.

HOIATUS: Kuu kestev kuularitega valju muusika kuulamine võib põhjustada kuulmise kahjustusi.

**TEHNILISED ANDMED**

**Väljundvõimsus:** 1,2 W x 2, summaarne harmooniline moonutustegur 10%

**FM raadio PLL ahelaga** 87,5–108 MHz

**USB:** versioon USB 2.0

**Võimsustarbimine ooterežiimis:** <0,5 W

**Toiteallikas:** AC IN, 230 V ~ 50 / 60Hz

**Patareitoide:** UM2 x 6 (patareid ei kuulu komplekti).

**SVARBIOS SAUGOS INSTRUKCIJOS**

**ELEKTROS SMŪGIO GRĖSMĖ  
DRAUDŽIAMA ATIDARYTI**
**Įspėjimas:**

Kad sumažintumėte elektros smūgio riziką, draudžiama išmontuoti įrenginio dangtelį ar galinę dalį. Įrenginyje nėra komponentų skirtų vartotojui savarankiškai taisyti. Techninė priežiūra ir remontas aptarnaujami tik kvalifikuoto techninio personalo.

**Grafinių simbolių paaiškinimas:**


Žaibo simbolis užbaigtas rodykle lygiakraščiame trikampyje įspėja vartotoją apie neizoliuotą "pavojingą įtampą" esančią įrenginio korpusė, kuri gali pasiekti dydį sukeltą elektros smūgio pavojų.



Šauktuko ženklas lygiakraščiame trikampyje įspėja vartotoją, kad šiame punkte pateikiama svarbi informacija apie įrangos veikimą ir techninę priežiūrą dokumentuose pateikiamuose su įrenginiu.

Prašome perskaityti šias instrukcijas prieš pradėdami įrenginio naudojimą, kad susipažinti su jo funkcijomis ir naudoti jį taip, kaip numatyta. Tai užtikrins ilgalaikį įrenginio veikimą be gedimų ir jo naudojimo malonumą.

**Svarbi informacija**

- Privaloma išsaugoti šias naudojimo instrukcijas ir saugos informaciją būsimam naudojimui.
- Neleiskite skysčiams lašėti ar išsilieti ant įrenginio.
- Draudžiama taip pat naudoti jį drėgnose vietose, pvz. vonios kambaryje.
- Draudžiama įrengti šį įrenginį tokiose vietose:
- Vietos neapsaugotos nuo tiesioginių saulės spindulių ar šalia radiatorių.
- Dėti jį ant viršaus kitos stereofoninės įrangos, kuri išleidžia šilumą.
- Blokuojant ventiliaciją arba dulkečioje vietoje.
- Vietose, kuriose vyksta nuolatinė vibracija.
- Vietose, kur yra didelė drėgmė.
- Draudžiama dėti įrenginį arti žvakių ar atviros liepsnos.
- Įrenginys gali būti naudojamas tik šiame vadove aprašytu būdu.
- Prieš įjungdami maitinimą pirmą kartą, įsitikinkite, kad srovės adapteris yra tinkamai prijungtas.
- USB atmintinė jungiami tiesiogiai arba su USB pratęsimo laidu iki 25 cm ilgio.

Dėl saugumo priežasčių, draudžiamas gaubūtų išmontavimas bei įrenginio vidaus atskleidimas. Įrenginio remontas turėtų būti aptarnaujamas kvalifikuoto techninio personalo.

Draudžiama ardyti įrenginį bei atidarinėti jo korpusą, nes jo viduje nėra jokių dalių, kurias galėtų naudotojas pataisyti. Techninė priežiūra ir remontas aptarnaujami tik kvalifikuoto techninio personalo.

**SAUGOS INSTRUKCIJOS**

1. Perskaitykite instrukcijas – prieš naudodami įrenginį perskaitykite visą naudojimo instrukciją ir saugos informaciją.
2. Išsaugokite instrukcijas – privaloma išsaugoti naudojimo ir valdymo instrukcijas būsimam naudojimui.
3. Laikykitės įspėjimų – privaloma laikytis visų prietaiso įspėjimų pateiktų ant įrenginio ir vadovautis naudojimo instrukcijomis.
4. Laikykitės instrukcijų – privaloma vadovautis naudojimo instrukcijomis bei nurodymais vartotojų.
5. Diegimas – nustatykite įrenginį pagal gamintojo instrukcijas.
6. Maitinimo šaltiniai – įrenginys turi būti maitinamas tik iš šaltinių, kurių parametrai nurodyti maitinimo laido žymenyse. Jei vartotojas nėra tikras, kokios energijos tipą turi namuose, turėtų susisiekti su savo įrenginio platintoju arba vietiniu elektros energijos tiekėju.
7. Maitinimo šaltinio įžeminimas arba polarizacija – įrenginys neturi būti įžemintas. Privaloma įsitikinti, kad kištukas yra visiškai įdėtas į elektros tinklo lizdą arba pratęsimo laidą, kad išvengtų kaiščių ar kontaktų ekspozicijos. Kai kuriose įrenginio versijose gali būti polarizuotas kintamosios srovės maitinimo kaiščių (su vienu platesniu kaiščiu). Šis kištukas gali būti įjungtas į elektros tinklo lizdą tik vienu būdu. Tai apsaugos funkcija. Jei negalite įkišti kištuko į lizdą, pabandykite jį apsukti. Jei kištukas vis dar netelpa į lizdą, elektrikas turėtų jį pakeisti. Draudžiama nuimti apsaugos priemonės nuo polarizuoto kištuko. Jeigu naudojamas pratęsimo laidas ar maitinimo laidas kitokie nei pateikti kartu su įrenginiu, jie turėtų turėti tinkamus kištukus ir saugos sertifikatus reikalaujamus tam tikroje šalyje.
8. Maitinimo laido apsaugos priemonės – maitinimo kabeliai turi būti nuvesti taip, kad po juos negalėtų vaikščioti, jų prispausti ar prikirsti padėtais objektais. Atkreipkite ypatingą dėmesį į kištukus, maitinimo lizdus ir vietas, kuriose laidai išvesti iš įrenginio.
9. Perkrovimas – draudžiama perkrauti sieninius lizdus, pratęsimo lizdus ir elektros skirstytuvus, nes tai gali sukelti gaisrą arba elektros smūgį.
10. Vėdinimas – įrenginys turi būti tinkamai vėdinamas. Draudžiama dėti įrenginį ant lovos, sofos ar ant panašių paviršių. Draudžiama pridengti įrenginį staltiesėmis, servetėlėmis, laikraščiais ir pan.
11. Šiluma – nedėkite įrenginio arti šilumos šaltinių, tokių kaip šildytuvai, radiatoriai, krosnys ar kiti prietaisai (įskaitant stipriklus), kurie gamina šilumą. Nedėkite ant įrenginio uždegtų žvakių ar kitokių atviros ugnies šaltinių.
12. Vanduo ir drėgmė – norėdami sumažinti gaisro ar elektros smūgio pavojų, saugokite įrenginį nuo tiesioginio lietaus, vandens ir drėgmės poveikio, tokio kaip pvz. saunoje ar vonioje. Nenaudokite šio įrenginio šalia vandens, pavyzdžiui, prie vonios, kriauklės, virtuvės ar kubelio, šlapiame rūsyje arba prie baseino (ar panašiose vietose).
13. Objektai ir skysčiai įrenginyje – draudžiama kišti bet kokius daiktus per įrenginio angas, nes jie gali liestis su pavojingomis įtampomis taškais ir komponentais, dėl ko gali kilti gaisras arba įvykti elektros smūgis. Griežtai draudžiama išpilti bet kokius skysčius ant įrenginio paviršiaus. Draudžiama dėti ant įrenginio viršaus objektus, kuriuose yra skysčių.

14. Valymas – prieš valydamis visada išjunkite įrenginį iš elektros tinklo lizdo. Dulkes aplink garsiakalbį galima nuvalyti sausu skudurėliu. Jei valymui naudojamas aerosolis, nepatartina kreipti purškimo srauto tiesiai į prietaisą, bet ant skudurėlio. Būkite atsargūs, kad nesugadintumėte pavaro šaltisau.
15. Papildoma įranga – draudžiama naudoti priedus, kurie nėra patvirtinti gamintojo, nes jie gali kelti pavojų.
16. Priedai – draudžiama statyti įrenginį ant nestabilius vežimėlio, stovo, trikojo, atramos ar stalo. Prietaisas gali apsversti ir susigadinti, bei sunkiai sužeisti vaiką ar suaugusį asmenį. Privaloma naudoti tik gamintojo nurodytus vežimėlius, stovus, trikojus, atramas ar stalus arba paruođdamus kartu su įrenginiu. Įrenginio surinkimui privaloma atlikti pagal gamintojo instrukcijas naudojant gamintojo rekomenduojamą surinkimo komplektą.
17. Prietaiso perkėlimas – ant vežimėlio padėtį įrenginį būtina stumti labai atsargiai. Staigus stabdymas, per didelė jėga arba netolygūs paviršiai gali sukelti vežimėlio išsivertimą kartu su įrenginiu.
18. Įrenginio nenaudojimo laikas – atjunkite maitinimo laidą nuo elektros lizdo audros su žaibais metu arba jeigu įrenginys nebus naudojamas ilgą laiką.
19. Techninis aptarnavimas – draudžiama savarankiškai bandyti asmeniškai naršyti įrenginį. Dangčio atidarymas gali sukelti kontaktą su pavojinga įtampa ir sukelti vartotojui kitus pavojus. Techninė priežiūra ir remontas aptarnaujami tik kvalifikuoto techninio personalo.
20. Kai įrenginys nenaudojamas, atjunkite jo maitinimo kištuką nuo elektros lizdo. Kai prietaisas prijungtas prie maitinimo šaltinio, jis veikia budėjimo režime ir nėra visiškai išjungtas.
21. Atsarginės dalys – keičiant dalis, įsitikinkite, kad techninės priežiūros darbuotojas panaudojo gamintojo rekomenduotas atsargines dalis arba kad dalys yra identiškos originalioms dalims. Nepatvirtintų dalių panaudojimas sukelia gaisro, elektros smūgio pavojų ar kitus pavojus.
22. Pagrindiniai saugikliai – kad prietaisas būtų nuolat apsaugotas nuo gaisro, naudokite tinkamo tipo ir parametrų saugiklius. Saugiklių parametrai tam tikrame įtamos diapazone yra pažymėti ant įrenginio.
23. Draudžiama didinti garsumą klausydamai nedidelio garsumo kūrinio dalies arba nesant įvesties audio signalui. Kitaip garsiakalbis gali sugesti jei signalo stiprumas sparčiai padidėja.
24. Vienintelis būdas visiškai atjungti įrenginį nuo maitinimo šaltinio tai ištraukti maitinimo laidą iš elektros srovės lizdo arba įrenginio. Naudojant įrenginį, visada turi būti prieinamas elektros tinklo lizdas arba maitinimo laido įėjimas į įrenginį.
25. Įrenginys turi būti dedamas šalia maitinimo tinklo lizdo arba pratęsimo laido taip, kad jis visada būtų prieinamas.
26. Didžiausia įrenginio aplinkos temperatūra tai 35°C.
27. Patarimai dėl elektrostatinių iškrovų - jei prietaiso veiksmingumas yra veikiamas elektrostatinių iškrovimų, išjunkite jį ir vėl įjunkite arba perkelkite įrenginį į kitą vietą.
28. Baterija
  - a. Baterijos negali būti veikiamos per didelės temperatūros, pavyzdžiui, saulės spindulių, ugnies ir t.
  - b. Išmesdami baterijas, atkreipkite dėmesį į aplinkosaugos aspektus.
  - c. Įspėjimas dėl baterijų naudojimo: norėdami išvengti baterijų nutekėjimo, dėl kurio galite sužaloti savo kūną ar sugadinti įrenginį:
    - Įdėdami bateriją atkreipkite dėmesį į jos poliarizaciją (+ ir -).
    - Nenaudokite skirtingų baterijų tuo pačiu laiku - senų ir naujų, standartinių ir šarminių baterijų ir kt.
    - Ilgesnį laiką nesinaudojant įrenginiu, išimkite iš jo baterijas.

## ĮSPĖJIMAS

Įrenginiu neturėtų naudotis asmenys (įskaitant vaikus), turintys mažesnes fizines, juslines ar psichines galimybes, ir asmenys, neturintys pakankamai žinių ir patirties, jei jie nėra prižiūrimi asmenų atsakingų už jų saugą, ir nebuvo jiems nurodyta, kaip saugiai naudoti įrenginį. Suaugusių asmenų buvimas reikalingas, jei vaikai naudoja prietaisą; tai užtikrins saugų įrenginio naudojimą.

1. Niekada nepalikite veikiančio įrenginio be priežiūros. Išjunkite prietaisą, kai jis nenaudojamas, net trumpą laiką.
2. Prietaiso negalima valdyti per išorinį laikrodį su sinchronizavimo grandinėmis arba per atskirą nuotolinio valdymo sistemą.
3. Norėdami išvengti pavojaus maitinimo laido sužalojimo atveju, jį pakeisti turėtų gamintojas, įgaliotas aptarnavimo centras ar kitas kvalifikuotas asmuo.
4. Prieš pradėdant įrenginio naudojimą patikrinkite, ar jo įtampa atitinka vietos maitinimo įtampą.
5. Draudžiama uždengti prietaiso ventiliacijos angas, pvz. laikraščiais, staltiese, užuolaidomis ir pan. Įsitikinkite, kad virš įrenginio yra ne mažiau kaip 20 cm laisvos vietos ir bent 5 cm iš kiekvienos jo pusės.
6. Neleiskite, kad ant įrenginio nutekėtų ar išsilietų skystis, be to, nedėkite ant jo pripildytų skysčiais objektų, tokių kaip vazos.
7. Norėdami išvengti gaisro ar elektros smūgio, apsaugokite prietaisą nuo karštų vietų, lietaus, drėgmės ir dulkių poveikio.
8. Draudžiama statyti įrenginį arti bent kokių vandens šaltinių, pvz. čiupų, vonių, skalbimo mašinų ar plaukiojimo baseinų. Įrenginį dėkite ant lygaus ir stabilaus paviršiaus.
9. Saugokite įrenginį nuo stipraus magnetinio lauko.
10. Draudžiama statyti įrenginį tiesiai ant stiptintuvo ar AV imtuvo.
11. Draudžiama statyti įrenginį drėgnoje vietoje, nes drėgmė neigiamai veikia elektrinius komponentus.
12. Kai įrenginys atnešamas iš šaltos į šiltą vietą arba į drėgną vietą, ant objektyvo, esančio grotuvo viduje, gali įvykti drėgmės kondensacija. Tokiu atveju įrenginys dirbs netinkamai. Palikite įrenginį maždaug vienai valandai, kad drėgmė išgaruotų.
13. Draudžiama valyti įrenginį cheminiais tirpikliais, nes jie gali pažeisti dengiamąjį laką. Prietaisą valykite švariu, sausu arba šiek tiek drėgnu skudurėliu.
14. Ištraukdami kištuką iš sieninio lizdo, visada traukite už kištuko, niekadus už maitinimo laido.
15. Jeigu įjungtas įrenginys naudojamas šalia įjungto televizoriaus, jis gali sukelti vaizdo iškraipymą linijos ekrane pavidalu. Tai priklauso nuo TV transliacijos bangų juostos. Tai nereiškia, kad įrenginys arba televizorius yra sutrikę. Jei matote tokias linijas, atitolinkite įrenginį nuo televizoriaus.
16. Maitinimo kištukas naudojamas maitinimo įtampas atjungimui ir visada turėtų būti prieinamas.
17. Niređdami skirtą kompaktines diskams skaityti lazerio galvatę išlaikyti švarioje, draudžiama ją liesti ir būtina visada uždarinėti diskų dėklą.
18. Atkarėti metu, diskas sukasi dideliu greičiu. DRAUDŽIAMA kelti ir stumdyti įrenginį atkūrimo metu, nes tai gali sugadinti diską arba patį įrenginį.
19. Prieš perkeldami įrenginį į kitą vietą arba perkėlimo laikui, išimkite diską ir uždarykite diskų dėklą. Po to išjunkite maitinimą ir atjunkite maitinimo kabelį. Įrenginio perkėlimas su disku dėkle gali sugadinti įrenginį.



20. Atkūrus diską įdėkite jį į pakuotę. Saugokite diskus nuo tiesioginių saulės spindulių ir šilumos šaltinių poveikio. Draudžiama palikti diskus automobilio stoviniči saulėje viduje.
21. Draudžiama liesti disko pusę be etiketės. Laikykite diskus už kraštų, kad nepaliktų pirštų atspaudų. Dulkės, pirštų atspaudai ar įbrėžimai diskuose gali būti netinkamo grotovo veikimo priežastis. Draudžiama lipdyti lapelius ar lipniąją juostą ant disko.
22. Disko valymui naudokite švarią šluostę be pūkelių. Pradėkite valymą tiesioginiu judėsiu nuo disko centro ties jo krašto, naudodant įprastas valymo priemones arba antistatines priemones skirtas vinilinėms plokštelėms.
23. Noredami išvengti galimo klausos praradimo, ilgai neklusykite garsios muzikos.



### ĮSPĖJIMAS: SPINDULIAVIMO ŠALTINIS

CLASS 1 LASER PRODUCT  
LUOKAN 1 LASERLAITE  
KLASS 1 LASERAPPARAT

COMPACT  
**disc**  
DIGITAL AUDIO

Ši etiketė reiškia, kad įrenginyje yra lazerio elementų. Atidarant CD plokštelės dėklo dangtelį ir aplenkiant apsauginį užraktą, vartotojui atsisiras lazerio spinduliuavimas. Draudžiama žiūrėti į lazerio spindulį, kai įrenginys veikia.

### PRIEŠ PRADEDANT DARBA

**Pastabos: apie kompaktinius diskus.**

Kadangi nešvarūs, pažeisti ar deformuoti diskai gali sugadinti įrenginį, atkreipkite dėmesį į šiuos elementus:

- Kompaktiniai diskai, kuriuos galite naudoti. Gali būti naudojami tik žemiau nurodytus diskus.
- CD diskai tiktai su skaitmeniniu audio garso įrašu.

### DĖMESIO



Deklaracija

Šiuo Blaupunkt Competence Center 2N-Everpol Sp. z o.o. deklaruojama, kad šis įrenginys atitinka Direktyvos 2014/53 / ES reikalavimus ir kitas atitinkamas nuostatas. Visą atitiktą deklaraciją galite rasti interneto svetainėje [www.blaupunkt.com](http://www.blaupunkt.com) gaminio skyriuje.

Atsakingas subjektas 2N-Everpol Sp. Z o.o.  
Puławska 403A, 02-801 Warszawa, Polska  
Telefonas: +48 22 331 99 59, e. paštas: info@everpol.pl



Produktas pagamintas iš aukštos kokybės medžiagų ir komponentų, kuriuos galima perdirbti ir pakartotinai naudoti.



Jei ant jūsų įrenginio randasi išbrauktas šiukšliadėžės žymeklis, tai reiškia, kad gaminį reglamentuoja Europos direktyvos 2012/19 / ES nuostatos. Privaloma susipažinti su vietos elektros ir elektroninių atliekų surinkimo sistemos reikalavimais. Privaloma laikytis vietinių taisyklių. Draudžiama išmesti šį įrenginį kartu su įprastomis buitinėmis atliekomis. Tinkamas senojo produkto pašalinimas užtikrins galimų neigiamų pasekmių aplinkai ir žmonių sveikatai prevenciją.



Šiame įrenginyje yra baterijos, kurioms taikoma Europos direktyva 2006/66/ES. Baterijas draudžiama išmesti kartu su buitinėmis atliekomis. Privaloma susipažinti su vietos atskirų medžiagų rinkimo reglamentus, nes dėl teisingo šalinimo bus išvengta galimų neigiamų pasekmių aplinkai ir žmonių sveikatai.

### Informacija apie aplinkos apsaugą

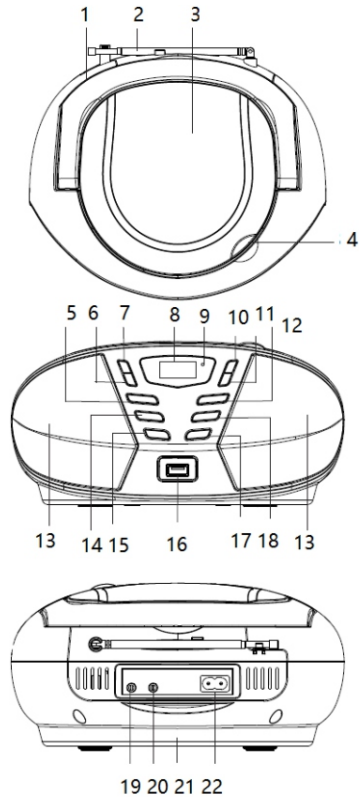
Pakuotėje yra tik būtini elementai. Buvo imtasi visų pastangų, kad būtų galima lengvai atskirti tris pakuotės sudedamąsias dalis: kartoną (dėžę), polistirolo putplastį (apsauginė dangą) ir polietilena (krepšelį, apsauginis lakštas). Prietaisais pagamintas iš medžiagų, kurios gali būti perdirbamos ir pakartotinai panaudotos, kai jas išmontuoja specializuota įmonė. Privaloma laikytis vietinių pakavimo medžiagų, sunaudotų baterijų ir nereikalingų įrenginių šalinimo taisyklių. Medžiagų įrašymui ir atkūrimui gali reikėti sutikimo. Zr. autorių teisių ir atlikėjų/artistų teisių įstatymą.

### Pastaba apie ERP2 (su energija susijusią įrangą)

Šis ekologinio projektavimo įrenginys atitinka Komisijos reglamento (EB) Nr. 1275/2008, kuriuo įgyvendinama Direktyva 2009/125/EB dėl nenaudojamų ir budėjimo režimo elektroninių prietaisų energijos vartojimo biure ir buities reikmėms, 2 etapui.

**VALDYMO ELEMENTŲ FUNKCIJOS**

1. Sulankstomas laikiklis
2. FM teleskopinė antena
3. CD kišenės durelės
4. CD durelių atidarymas
5. PROG/MEM/MODE mygtukas
6. Perėjimo prie ankstesnio kūrinio / persukimo atgal mygtukas
7. Perėjimo prie sekancio kūrinio / persukimo pirmyn mygtukas
8. Budėjimo režimo rodiklis
9. LCD displejus
10. Atkūrimo/pauzės/CH+ mygtukas
11. Sustabdymo/CH- mygtukas
12. FOLDER/10+ mygtukas
13. Garsiakalbiai
14. VOL- mygtukas
15. SOURCE mygtukas
16. USB prievadas
17. Įjungimo/budėjimo režimo mygtukas
18. VOL+ mygtukas
19. Baterijos kamera
20. Kintamosios srovės (AC) maitinimo lizdas
21. Ausinių prijungimo lizdas
22. AUX IN lizdas


**Maitinimas**
**Maitinimas baterijomis**

1. Atsargiai nuimkite baterijų kameros dangtelį.
2. Įdėkite šešias „C“ tipo baterijas (UM-2 arba lygiavertes) laikantis tinkamo poliškumo.
3. Uždėkite baterijos kameros dangtelį.

**DĖMESIO:**

Atjunkite kintamosios srovės maitinimo šaltinį nuo prietaiso DC IN maitinimo šaltinio, kad būtų pradėtas maitinimas baterijomis.

Nutekėjusios baterijos gali sugadinti baterijų kamerą ir visą grotuva. Todėl išimkite baterijas iš baterijų kameros, kai jos išekvotos arba jei prietaisas ilgą laiką nebus naudojamas.

**AC tinklo maitinimas**

Kintamosios srovės laido antgalį prijunkite prie įrenginio AC IN lizdo, o kitą - prie kintamosios srovės tinklo lizdo. Baterijos bus automatiškai atjungiamos.

**DĖMESIO:** jei į įrenginį ilgiau nei valandą nebus tiekiamas garso signalas, jis automatiškai persijungs į budėjimo režimą (tai netaikoma FM radijo režimui).

**FM RADIJAS**
**FM radijo stočių derinimas**

1. Indikatorius užsidegs, kai įrenginys bus prijungtas prie maitinimo tinklo. Norėdami įjungti įrenginį, paspauskite įjungimo / budėjimo mygtuką (budėjimo režimo indikatorius užgesta).
2. Paspauskite po to SOURCE mygtuką, kad įjungtumėte FM radijo režimą.
3. Norėdami pradėti automatinę radijo stočių paiešką, keletą sekundžių palaikykite paspaudę ankstesnio kūrinio / persukimo atgal mygtuką arba sekancio kūrinio / persukimo pirmyn mygtuką ir tada jį paleiskite.
4. Norėdami rankiniu būdu suderinti radijo stotis, paspauskite ankstesnio kūrinio / persukimo atgal mygtuką arba sekancio kūrinio / persukimo pirmyn mygtuką.
5. Paspausdami VOL +/- mygtukus sureguliuokite garsumą iki patogaus lygio.
6. Norėdami išjungti maitinimą, paspauskite įjungimo / budėjimo režimo mygtuką.

**DĖMESIO:**

Teleskopinė FM antena yra kryptinė. Priimant FM radijo programą, visiškai ją ištraukite ir pasukite geriausiai priėmimui.

**Mėgstamiausių radijo stočių programavimas**

1. Pirmiausia suraskite mėgstamiausių radijo stotį; tada, kad išsaugotumėte esamą stotį, laikykite nuspaudę PROG / MEM / MODE mygtuką, kol LCD ekrane pradės mirksėti atminties vietos numeris.
2. Pasirinkite atminties vietos numerį naudodamiesi sustabdymo / CH- mygtuku arba atkūrimo / pauzės / CH+ mygtuku.
3. Patvirtinkite pasirinkimą spausdami PROG / MEM / MODE mygtuką.
4. Klausydami radijo, paspauskite sustabdymo / CH- mygtuką arba atkūrimo / pauzės / CH+ mygtuką, kad pasirinktumėte išsaugotas radijo stotis.
5. Paspauskite ir palaikykite atkūrimo / pauzės mygtuką 3 sekundes, įrenginys automatiškai suderins ir išsaugos FM radijo stotis (maksimalus radijo stočių, kurias galima išsaugoti, skaičius yra 40)

**VALDYMAS****Plokštės įkrovimas**

1. Atidarykite CD kišenės dureles, laikydami už atidarymo.
2. Įdėkite diską į kišenę (etiketės į viršų).
3. Uždarykite diskų kišenės dangtelį.

**Disko atkūrimas (CD / MP3)**

1. Norėdami įjungti įrenginį, paspauskite įjungimo / budėjimo mygtuką (budėjimo režimo indikatorius užgęsta).
2. Paspauskite po to SOURCE mygtuką, kad įjungtumėte CD režimą.
3. Norėdami užkrauti diską, atlikite aukščiau aprašytus veiksmus.
4. Grotuvas pradės skaityti diską.
5. Sėkmingai nuskaičius diską, atkūrimas pradėdamas automatiškai nuo pirmojo kūrinio.
6. Vieną kartą paspauskite atkūrimo / pauzės / CH+ mygtuką, kad sustabdytumėte atkūrimą; paspauskite dar kartą, kad atnaujintumėte įprastą atkūrimą; norėdami sustabdyti atkūrimą, paspauskite sustabdymo / CH- mygtuką.

**Išorinio atminties įrenginio palaikymas (USB)**

1. Norėdami įjungti įrenginį, paspauskite įjungimo / budėjimo režimo mygtuką (budėjimo režimo indikatorius užgęsta).
2. Prijunkite USB įrenginį prie USB prievado.
3. Paspauskite po to SOURCE mygtuką, kad įjungtumėte USB režimą.
4. Aptikus ir nuskaičius prijungto USB įrenginio turinį, atkūrimas pradėdamas automatiškai nuo pirmojo kūrinio.
5. Paspauskite atkūrimo / pauzės / CH+ mygtuką, kad sustabdytumėte arba atnaujintumėte atkūrimą.
6. Norėdami sustabdyti atkūrimą, paspauskite sustabdymo / CH- mygtuką.

**Kūrinių praleidimas ir konkrečios grojimo vietos ieškojimas (CD / MP3 / USB)**

1. Norėdami pereiti prie sekancio kūrinio, vieną kartą paspauskite sekancio kūrinio / persukimo pirmyn mygtuką. Norėdami pereiti prie ankstesnio kūrinio, vieną kartą paspauskite ankstesnio kūrinio / persukimo atgal mygtuką.
2. Norėdami greitai pereiti į tam tikrą kūrinio tašką, palaikykite nuspaudę sekancio / ankstesnio kūrinio / persukimo pirmyn / atgal mygtuką.
3. Atkūrimo metu vieną kartą paspauskite mygtuką FOLDER / 10+, norėdami pereiti 10 takelių į priekį, paspauskite du kartus, jei norite pereiti 20 takelių į priekį. Naudojant šį mygtuką galite pereiti prie paskutinio disko kūrinio.

**Perėjimas į ankstesnį / sekantį aplanką (MP3 / USB)**

1. Atkūrimo metu palaikykite nuspaudę mygtuką FOLDER / 10+, kol aplanko numeris pradės mirksėti ekrane.
2. Norėdami pasirinkti norimą aplanką, paspauskite ankstesnio kūrinio / persukimo atgal mygtuką arba sekancio kūrinio / persukimo pirmyn mygtuką.
3. Kai ekrane pasirodys aplanko numeris, paspauskite FOLDER / 10+ mygtuką, kad patvirtintumėte.

**Atkūrimas su kortojimu (CD / MP3 / USB)**

Atkūrimo metu paspauskite PROG / MEM / MODE, kad pakartotumėte vieną kūrinių; paspauskite du kartus, kad pakartotumėte visus kūrinius; tris kartus paspauskite mygtuką, kad pradėtumėte groti kūrinių pradžia; paspauskite mygtuką keturis kartus, kad perjungtumėte į atsitiktinio grojimo režimą; paspauskite mygtuką penkis kartus, kad baigtumėte funkcijos veikimą.

**Programuojamas atkūrimas (CD / MP3 / USB)**

1. Sustabdymo režime vieną kartą paspauskite mygtuką PROG / MEM / MODE, pirmiausia pasirodys programos piktograma su simboliu „P01“, tada LCD ekrane mirksės skaičius su programos piktograma.
2. Pasirinkite pirmąjį kūrinių užprogramavimui paspausdami sekancio / ankstesnio kūrinio / persukimo pirmyn / persukimo atgal mygtuką, tada dar kartą paspauskite PROG / MEM / MODE, kad jį išsaugotumėte ir pereitumėte į kitą programavimo veiksmą (jei MP3 diske ar USB atmintinėje yra keli aplankai, pirmiausia turite užprogramuoti aplankus, o tada takelius).
3. Norėdami programuoti daugiau kūrinių, pakartokite aukščiau nurodytus veiksmus. Atmintyje galima užprogramuoti ne daugiau kaip 20 kūrinių CD atveju ir 99 kūrinių MP3 disko / USB atminties atveju. Jei atmintis pilna, pasirodys pranešimas „FULL“.
4. Norėdami paleisti atkūrimą užprogramuota seka, paspauskite atkūrimo / pauzės / CH+ mygtuką. Atkūrimas baigsis atkūrus visus užprogramuotus kūrinius.
5. Norėdami sustabdyti programuatą atkūrimą, paspauskite sustabdymo / CH- mygtuką. Sustabdyus užprogramuatą atkūrimą, paspauskite atkūrimo / pauzės / CH+ mygtuką, kad pradėtumėte užprogramuatą atkūrimą ankstesne tvarka; paspauskite sustabdymo / CH- mygtuką, kad atsauktumėte programą.

**AUX įvestis**

1. Prijunkite išorinį įrenginį garso kabeliu, — pvz. MP3 grotuvas — į AUX IN įvestį.
2. Įjunkite įrenginio maitinimą atlikdami atitinkamus veiksmus.
3. Paspauskite po to SOURCE mygtuką, kad įjungtumėte AUX režimą.
4. Valdykite grojamą muziką naudodami išorinio įrenginio valdiklius.

**LIZDAS AUSINIŲ PRIJUNGIMUI**

Prietaiso gale yra lizdas, skirtas prijungti ausines, kuris leidžia klausytis muzikos nepažeidžiant kitų žmonių aplinkoje ramybės. Prijunkite laisvų rankų įrangą / ausines (NERA rinkinyje) ir sureguliuokite garsumą iki norimo lygio.  
DĖMESIO: Prijungus išorines ausines, garsiakalbiai išjungiami.  
ĮSPĖJIMAS: Ilgą laiką klausant garsios muzikos per ausines, galite sugadinti klausą.

**TECHNINIAI DUOMENYS**

**Išėjimo galia:** 1,2 W x 2, bendras harmoninis iškraipymas 10%

**FM radijas su PLL kilpa** 87,5–108 MHz

**USB:** versija USB 2.0

**Vartojamoji galia laukimo režime:** <0,5W

**Maitinimo šaltinis:** AC IN, 230 V ~ 50 / 60Hz

**Maitinimas baterija:** UM2 x 6 (baterijų nėra rinkinyje).

## POMEMBNA POROČILA O VARNOSTI



### Pozor:

Da bi zmanjšali nevarnost električnega udara, ne razstavljajte pokrova in zadnjega dela naprave. Znotraj naprave ni elementov, ki bi jih lahko uporabnik samostojno popravil. Vzdrževalna dela in popravila lahko opravljajo le usposobljeni serviserji.

### Razlaga grafičnih simbolov:



Simbol strele s puščico na koncu, v enakostraničnem trikotniku opozarja uporabnika na neizolirano »nevarno napetost« v ohišju naprave. Napetost lahko doseže vrednost, ki predstavlja tveganje električnega udara.



Klicaj v enakostraničnem trikotniku opozarja uporabnika na pomembne informacije o uporabi in vzdrževanju naprave, ki jih vsebuje dokumentacija, priložena napravi.

Prosimo, da pred uporabo naprave preberete ta navodila, da bi se seznanili s funkcijami naprave in jo uporabljali skladno z namenom. S tem lahko zagotovite dolgotrajno, nemoteno in prijetno uporabo naprave.

### Pomembni podatki

- Shranite ta navodila za uporabo in poročila o varnosti, ker jih boste lahko potrebovali v prihodnosti.
- Ne dovolite, da se na napravo razlije oziroma nanjo kaplja tekočina.
- Naprave ne uporabljajte v vlažnih prostorih, kot je na primer kopalnica.
- Naprave ne smete namestiti na naslednji način:
- Naprava ne sme biti izpostavljena neposrednemu vplivu sončnih žarkov oz. se ne sme nahajati v bližini grelcev.
- Naprava se ne sme postaviti na drugo stereofonsko napravo, ki oddaja toploto.
- Naprava ne sme ovirati prezračevanja oz. se ne sme nahajati v zaprašenem prostoru.
- Naprava ne sme biti izpostavljena stalnim vibracijam.
- Naprava se ne sme nahajati v prostorih z visoko vlažnostjo.
- Naprava se ne sme nahajati v bližini sveč ali odprtega ognja.
- Napravo uporabljajte le na način, opisan v teh navodilih.
- Pred prvim vklopom napajanja se je treba prepričati, da je napajalnik pravilno prikljopljen.
- USB-Spomin se priklopi neposredno oz. s pomočjo USB-podaljška dolžino do 25 cm.

Zaradi varnosti ni dovoljeno razstavljanje ohišja oz. pronicanje v notranjost naprave. Napravo lahko popravi le usposobljeno servisno osebje.

Ne razstavljajte in ne odpirajte ohišja naprave, kajti noter ni delov, ki bi jih lahko popravil uporabnik. Vzdrževalna dela in popravila lahko opravljajo le usposobljeni serviserji.

### POROČILA O VARNOSTI

1. Preberite navodila za uporabo – pred uporabo naprave je treba prebrati vsa navodila za uporabo in poročila o varnosti.
2. Shranite navodila za uporabo – navodila za uporabo je treba shraniti za primer kasnejše uporabe.
3. Upošteвайте opozorila – ukrepajte skladno z vsemi opozorili, ki jih vidite na napravi ter z opozorili, omenjenimi v navodilih za uporabo.
4. Sledite navodilom – ukrepajte skladno z navodili za uporabo in navseti za uporabnika.
5. Namestitev – napravo postavite skladno s proizvajalčevimi navodili.
6. Viri napajanja – napravo napajajte izključno iz virov, ki odgovarjajo parametrom, navedenim na napajalnem kablu. Če niste prepričani, kakšno napajanje imate doma, obrnite se na prodajalca naprave oz. lokalnega dobavitelja električne energije.
7. Ozemljitev in polarizacija napajanja – napravo lahko uporabljate brez ozemljitve. Prepričajte se, da je vtič v celoti nameščen v omrežni vtičnici oz. podaljšku, tako da se stiki ne vidijo. Nekatere različice naprave so lahko opremljene s polariziranim vtičem za izmenični tok (en stik je debelejši). Takšen vtič lahko vklopite v omrežno vtičnico le na en način. To je zavarovalna funkcija. Če vtiča ne morete vklopiti v vtičnico, ga poskusite obrniti. Če se vtič še vedno ne ujema z vtičnico, naj vam jo električar zamenja. Zavarovanje iz polariziranega vtiča ne smete odstranjevati. Če uporabljate podaljšek ali napajalni kabel, ki nista priložena napravi, se prepričajte, da imata ustrezne vtiče in potrdilo o varnosti, ki se zahteva v določeni državi.
8. Zavarovanje napajalnega kabla – napajalni kabel je treba namestiti na način, ki omejuje nevarnost potepanja, pritiskanja oz. naključnega razrezanja. Bodite posebej pozorni na vtiče, omrežne vtičnice in mesta, kjer kabli izhajajo iz naprave.
9. Preobremenitev – preobremenitev zidnih vtičnic, podaljškov in električnih razdelilnikov ni dovoljena, saj lahko to privede do požara ali električnega udara.
10. Prezračevanje – napravo je treba pravilno prezračevati. Ne postavite je na posteljo, kavč ali podobne površine. Ne prekrivajte je s prti, robci, revijami idr.
11. Toplota – naprave ne postavite v bližino virov toplote, kot so grelci, sevalniki, peči in druge naprave (tudi ojačevalniki), ki oddajajo toploto. Na napravo ne postavite gorečih svečk in drugih virov odprtega ognja.
12. Voda in vlaga – da bi zmanjšali tveganje požara ali električnega udara, naprave ne izpostavite neposrednemu vplivu dežja, vode in vlage, na primer ne postavite je v savni ali kopalnici. Te naprave ne smete uporabljati v bližini vode, na primer zavrni kadi, umivalnika, korita oz. škafo, v vlažni kleti oz. v bližini bazena (in podobnih mest).
13. Predmeti in tekočine v napravi – skozi odprtine v napravi ne potiskajte nobenih predmetov, saj se tisti predmeti lahko dotaknejo točk z nevarno napetostjo in s komponentami, kar lahko privede do požara oz. električnega udara. Nikakor ne razlize nobenih tekočin na površino naprave. Na napravo ne smete postaviti predmetov, ki vsebujejo tekočine.

14. Čiščenje – preden začnete s čiščenjem, napravo vedno odklopite iz omrežne vtičnice. Prah, ki je okoli zvočnika, lahko obrišete s suho krpo. Če za čiščenje uporabljate aerosol, razpršilo usmerite na krpo, ne pa neposredno na napravo. Pazite, da se ne poškodujejo pogonske enote.
15. Dodatna oprema – ne uporabljajte pripomočkov, ki jih proizvajalec ne potrdi, ker lahko predstavljajo nevarnost.
16. Pripomočki – naprave ne postavite na nestabilen voziček, stojalo, stativo, konzolo ali mizo. Naprava se lahko prevrne in poškoduje, lahko tudi hudo poškoduje otroka ali odraslo osebo. Uporabite le vozičke, stojala, stative, konzole in mize, ki jih priporoča proizvajalec oz. ki se prodajajo skupaj z napravo. Namestitvev naprave mora potekati skladno z navodili proizvajalca, ob uporabi montažnega seta, ki ga priporoča proizvajalec.
17. Prestavljajte naprave – napravo postavite na voziček in zelo previdno prestavite. Nenadna ustavitve vozička, prevelika moč oz. neravne površine lahko pripeljejo do prevrnitve vozička z napravo.
18. Obdobje mirovanja naprave – napajalni kabel je treba odklopiti iz omrežne vtičnice v primeru neviht s strelami oz. ko naprave ne boste dlje časa uporabljali.
19. Servisiranje - naprave ne smete servisirati samostojno. Po odpiranju ohišja je uporabnik izpostavljen visoki napetosti in drugi nevarnosti. Vzdrževalna dela in popravila lahko opravljajo le usposobljeni serviserji.
20. Ko naprave ne uporabljate, odklopite njen vtič iz omrežne vtičnice. Ko je naprava priključena na vir napajanja, ni nikoli popolnoma izklopljena, vendar je v stanju pripravljenosti.
21. Nadomestni deli – ob zamenjavi delov je treba preveriti, ali je serviser uporabil nadomestne dele proizvajalca oz. ali nadomestni deli ustrezajo originalnim delom. Uporaba nepotrjenih delov lahko privede do požara, električnega udara oz. drugih nevarnih razmer.
22. Glavne varovalke – da bi napravo trajno zavarovali pred požarom, uporabite varovalke ustrezne vrste in parametrov. Parametri varovalk glede napetosti so označeni na napravi.
23. Ne povečajte glasnosti ob poslušanju tihega posnetka oz. ko ni vhodnega zvočnega signala. Z nenadnim povečanjem intenzitete signala lahko poškodujete zvočnik.
24. Edini način popolnega odklopa naprave iz vira napajanja je odklop napajalnega kabla iz omrežne vtičnice oz. iz naprave. Omrežna vtičnica oz. vhod za napajalni kabel morata biti vedno dostopna med uporabo naprave.
25. Napravo je treba postaviti v bližini omrežne vtičnice oz. podaljška, na tak način, da je vtičnica vedno dostopna.
26. Maksimalna temperatura v prostoru, kje je naprava, je 35 °C.
27. Navseti glede električnih razelektritev – če delovanje naprave motijo električne razelektritve, je treba napravo izklopiti in ponovno vklopiti oz. jo prestaviti na drugo mesto.
28. Baterija
  - a. Baterije ne smejo biti izpostavljene vplivu prekomerne toplote, npr. sončnih žarkov, ognja idr.
  - b. Pri odstranjevanju baterij je treba biti posebno pozoren na okoljevarstvena vprašanja.
  - c. Opozorilo glede uporabe baterije: da se prepreči puščanje baterije, ki lahko privede do poškodb telesa oz. naprave:
    - Ob namestitvi baterij pazite na polarizacijo (+ in -).
    - Skupaj ne smete uporabljati novih in starih baterij, standardnih in alkalnih idr.
    - Če naprave več časa ne uporabljate, odstranite baterije.

## OPOZORILO

- Naprave ne smejo uporabljati osebe (vključno z otroki) z zmanjšano fizično, senzorično ali mentalno sposobnostjo ali brez izkušenj oz. znanja, razen če so pod nadzorom osebe, ki je odgovorna za njihovo varnost, oz. če so se poučile z navodili o varni uporabi naprave. Prisotnost odraslih je obvezna, če napravo uporabljajo otroci. S tem se lahko zagotovi varna uporaba naprave.
1. Vključene naprave ne ne smete pustiti brez nadzora! Napravo izklopite, tudi če naprava le nekaj časa počiva.
  2. Naprave ne smete uporabljati preko zunanje ure s časovnim sistemom oz. preko ločenega sistema z daljinskimi upravljanjem.
  3. Da bi se izognili nevarnosti v primeru poškodovanja napajalnega kabla, zamenjave lahko opravi le proizvajalec, pooblaščen servisno podjetje oz. ustrezno usposobljen strokovnjak.
  4. Pred začetkom uporabe naprave je treba preveriti, ali napetost naprave ustreza napetosti lokalnega električnega omrežja.
  5. Prezačevalnik odprtini ne prekrivajte, npr. z revijami, prti, zavesami idr. Prepričajte se, da je nad napravo ohranjenega najmanj 20 cm prostega prostora, na straneh pa vsaj 5 cm.
  6. Ne dovolite, da na napravo kaplja oz. da se nanjo razlije tekočina, na napravo ne postavite predmetov s tekočino, npr. vaz.
  7. Da se prepreči nastajanje požara ali nevarnost električnega udara, napravo zaščitite pred vročino, vplivom dežja, vlage in praha.
  8. Naprave ne postavite v bližini katerih koli virov vode, npr. umivalnikov, kadi, pralnih strojev oz. bazenov. Napravo postavite na ravno in stabilno podlago.
  9. Naprave ne izpostavite močnemu magnetnemu polju.
  10. Naprave ne postavite neposredno na ojačevalnik ali sprejemnik.
  11. Naprave ne postavite na vlažno mesto, ker ima vlaga negativni vpliv na električne komponente.
  12. Ko napravo prestavite iz hladnega prostora v toplej oz. vlažen prostor, lahko pride do kondenzacije vlage na leči znotraj predvajalnika. To lahko povzroči nepravilno delovanje naprave. Napravo pustite vključeno vsaj na eno uro, da vlaga izpari.
  13. Naprave ne čistite s kemijskimi topili, ker se lahko na ta način poškoduje lakirana površina ohišja. Napravo obrišite s čisto, suho oz. rahlo navlaženo krpicco.
  14. Med odklopom vtiča iz omrežne vtičnice je treba vedno vleči za vtič, nikoli za napajalni kabel.
  15. Ko se vklopljena naprava uporablja v bližini vklopljenega TV-ja, lahko pride do motenj slike v obliki črt na zaslonu. To je odvisno od valov TV-prenosa. To ne pomeni, da naprava oz. TV ne delujeta pravilno. Če se vidijo črte, premaknite napravo stran od TV-ja.
  16. Omrežni vtič se uporablja za odklop napajanja in zato mora biti vedno dostopen.
  17. Da bi laserska glavnica za odčitavanje CD-zgoščenek ostala čista, se je ne dotikajte in vedno zapirajte prostor za CD-je.
  18. Med predvajanjem se zgoščenka vrti z veliko hitrostjo. Naprave med predvajanjem NE SMETE dvigati oz. premikati, saj lahko na ta način poškodujete zgoščenko oz. napravo.
  19. Preden napravo prestavite na drugo mesto, odstranite zgoščenko in zaprite prostor za CD-je. Nato izklopite napajanje in odklopite napajalni kabel. Prestavljanje naprave z vstavljeno zgoščenko je lahko razlog za poškodovanje naprave.
  20. Po predvajanju zgoščenko pospravite v škatlo. Zgoščenk ne izpostavite neposrednemu vplivu sončnih žarkov ter virov toplote in jih ne pustite v vozilu, ki je parkirano na soncu.
  21. Ne dotikajte se strani zgoščenke, na kateri ni etikete. Zgoščenko primite za robove, da ne pustite prstnih odtisov. Prah, prstni odtisi oz. praske so lahko razlog za nepravilno delovanje predvajalnika. Na zgoščenko ne prilepite kartic ali samolepljene traka.

22. Za čiščenje zgoščen uporabite čisto krpo, ki ne pušča kosmičev. Čiščenje začnite od sredine zgoščenke proti robu, za to uporabite splošno dostopna čistilna sredstva oz. antistatična sredstva za vinilne plošče.
23. Da bi preprečili nevarnost izgube sluha, glasne glasbe ne poslušajte dlje časa.



#### OPOZORILO: VIR SEVANJA

CLASS 1 LASER PRODUCT  
LUOKAN 1 LASERLAITE  
KLASS 1 LASERAPPARAT

COMPACT  
**disc**  
DIGITAL AUDIO

#### PRED ZAČETKOM DELA

##### Opombe: glede zgoščenk.

Ker so lahko umazane, poškodovane oz. izkrivljene zgoščenke razlog za poškodovanje naprave, treba je biti posebno pozoren na:

- a. Zgoščenke, ki se lahko uporabijo. Lahko uporabite le spodaj navedene zgoščenke.
- b. CD-zgoščenke le z digitalnim zvočnim signalom.

#### POZOR



Izjava

S tem Blaupunkt Competence Center 2N-Everpol Sp. z o.o. izjavlja, da je ta naprava v skladu z zahtevami in drugimi ustreznimi določili uredbe 2014/53/EU. Celotno izjavo o skladnosti si lahko ogledate na spletni strani [www.blaupunkt.com](http://www.blaupunkt.com) v zavihku izdelka.

Odgovorni subjekt: 2N-Everpol Sp. Z o.o.

Puławska 403A, 02-801 Warszawa, Polska

Telefon: +48 22 331 99 59, e-naslov: [info@everpol.pl](mailto:info@everpol.pl)



Naprava je izdelana iz visokokakovostnih materialov ter komponent, ki se lahko reciklirajo in ponovno uporabijo.



Če je na napravi oznaka prekrizan zabojnik za odpadke, to pomeni, da za izdelek veljajo določila evropske smernice 2012/19/EU. Seznaniti se je treba z lokalnimi zahtevami za zbiranje električnih ter elektronskih odpadkov. Ukrepiti je treba v skladu z lokalnimi predpisi. Izdelek se ne sme odstranjevati skupaj z navadnimi odpadki. Ustrezno odstranjevanje starega izdelka pomaga izključiti morebitne negativne učinke na okolje in človekovo zdravje.



Naprava je opremljena z baterijo, ki jo določa evropska smernica 2006/66/EC. Baterija se ne sme odstranjevati skupaj z gospodinjstvi odpadki. Treba se je seznaniti z lokalnimi predpisi za ločeno zbiranje odpadnih baterij, ker le ustrezna odstranitev preprečuje morebitne negativne učinke za okolje in človekovo zdravje.

### **Podatki za varovanje okolja**

Komplet vsebuje samo potrebne elemente. Prizadevali smo si, da bodo vsi trije elementi embalaže lahko odstranljivi: karton (škatla), polistirenska pena (zunanja zaščita) in polietilen (vreče, zaščitna plast). Naprava je izvedena iz materialov, ki se lahko reciklirajo, ter jih lahko po demontaži s strani strokovnega podjetja ponovno uporabljamo. Upoštevati je treba lokalne predpise za odstranjevanje embalaž, porabljenih baterij ter nepotrebnih naprav.

Za zapisovanje in predvajanje je treba obvezno pridobiti soglasje. Glej Zakon o avtorskih pravicah in pravicah izvajalcev/umetnikov.

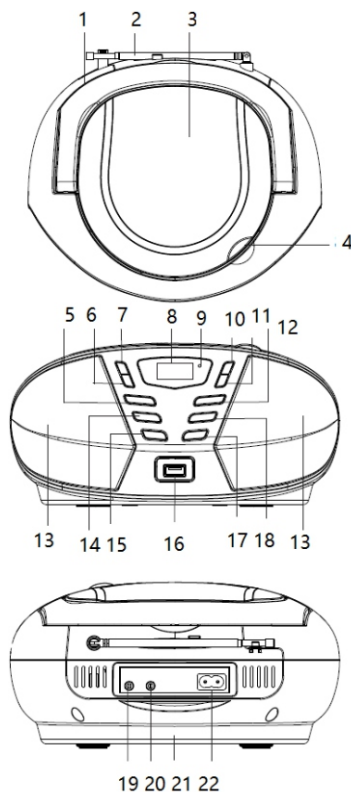
### **Opomba glede ERP2 (naprav, povezanih z energijo)**

Ta naprava z ekonačrtom izpolnjuje zahteve 2. etape Uredbe Komisije (ES) št. 1275/2008 o izvajanju Uredbe 2009/125/ES glede porabe energije o vzpostavitvi okvira za določanje zahtev za primerno okoljsko zasnovo izdelkov, povezanih z energijo.



**FUNKCIJE ELEMENTOV UPRAVLJANJA**

1. Zložljivi ročaj
2. Teleskopska antena FM
3. Vrata prostora za vstavljanje CD-jev
4. Odpiranje vratice prostora za vstavljanje CD-jev
5. Gumb PROG/MEM/MODE
6. Gumb za preskočitev na prejšnjo skladbo/za pomik nazaj
7. Gumb za prehod na naslednjo skladbo/za pomik naprej
8. Indikator stanja pripravljenosti
9. Zaslona LCD
10. Gumb za predvajanje/premor/CH+
11. Gumb za ustavitev/CH-
12. Gumb FOLDER/10+
13. Zvočnika
14. Gumb VOL-
15. Gumb VIR
16. Port USB
17. Gumb za vklop/stanje pripravljenosti
18. Gumb VOL+
19. Prostor za baterije
20. Vtičnica za napajanje z izmeničnim tokom (AC)
21. Vtičnica za priključitev slušalk
22. Vtičnica AUX IN


**NAPAJANJE**
**Napajanje iz baterije**

1. Previdno odstranite pokrov prostora za baterijske vložke.
2. Vstavite 6 baterij "C" (UM-2 ali enakovredne), pri tem pazite na pravilno polarnost.
3. Namestite nazaj pokrov prostora za baterije.

**POZOR:**

Treba je iz vtičnice DC IN izklopiti kabel za napajanje iz omrežja, da bo tako omogočeno napajanje iz baterij. Netesne baterije lahko poškoduje prostor za baterije in celotni predvajalnik. Zato odstranite baterije iz prostora za baterije, ko se baterije izpraznejo ali če naprave ne boste uporabljali dlje časa.

**Napajanje iz omrežja izmeničnega toka (AC)**

Vklopite ustrezno končnico napajalnega kabla v vtičnico AC IN na napravi, drugi konec kabla pa v stensko vtičnico. Baterije se bodo samodejno odklopile.

**POZOR:** če se v napravo v več kot eni uri ne pošlje nobenega zvočnega signala, se naprava samodejno preklopi v stanje pripravljenosti (to ne velja za način radia FM).

**RADIO FM**
**Uglaševanje radijskih postaj FM**

1. Po priklopu naprave na električno omrežje zasveti indikator. Pritisnite gumb za vklop/stanje pripravljenosti, da tako vklopite napravo (indikator stanja pripravljenosti ugasne).
2. Nato večkrat pritisnite na gumb SOURCE za preklop v način radia FM.
3. Za vklop samodejnega iskanja postaj pritisnite in pridržujte nekaj sekund pritisnik na gumb povratka na prejšnjo skladbo/pomika nazaj ali na gumb preskoka na naslednjo skladbo/pomika naprej, nato gumb sprostite.
4. Pritisnite na gumb povratka na prejšnjo skladbo/pomika nazaj ali na gumb preskoka na naslednjo skladbo/pomika naprej za ročno iskanje in uglaševanje radijskih postaj.
5. Nastavite ustrezno glasnost s pritiskanjem na VOL +/-.
6. Pritisnite na gumb za vklop/stanje pripravljenosti za izklop napajanja.

**POZOR:**

Teleskopska antena FM je smerna. Za spremljanje oddaj radija FM jo, v cilju najboljšega sprejema, popolnoma izvlecite in zasučite v ustrezno smer.

**Prednastavite najljubših radijskih postaj**

1. Najprej uglasite svojo priljubljeno radijsko postajo; nato pritisnite na gumb PROG/MEM/MODE in v cilju shranitve trenutno nastavljene postaje ter spustite gumb, ko začne na zaslonu LCD utripati številka mesta postaje v pomnilniku.
2. Z gumbom ustavitve/CH- ali gumbom predvajanja/premora/CH+ izberite številko mesta v pomnilniku.
3. Potrdite izbor z gumbom PROG/MEM/MODE.
4. Med poslušanjem radia izberete priljubljeno shranjeno postajo s pritiskom na gumb ustavitve/CH- ali gumb za predvajanje/premor/CH+.
5. Pritisnite in 3 sekunde držite pritisnjen gumb za predvajanje/premor - naprava bo samodejno poiskala in shranila radijske postaje FM (hkrati je možno shraniti do največ 40 radijskih postaj)

**UPORABA****Vložitev CD-ja**

1. Odprite vrata prostora za CD z uporabo ročice za odprtje.
2. Namestite CD (nalepka obrnjena navzgor).
3. Zaprite pokrov prostora za CD.

**Predvajanje plošč (CD/MP3)**

1. Pritisnite gumb za vklop/stanje pripravljenosti, da tako vklopite napravo (indikator stanja pripravljenosti ugasne).
2. Nato pritisnite na gumb SOURCE za vklop načina CD.
3. Vložite CD skladno z zgornjimi 3 koraki.
4. Predvajalnik začne odčitavati CD.
5. Po uspešnem odčitku CD-ja se predvajanje samodejno začne pri prvi skladbi.
6. Pritisnite 1 krat na gumb za predvajanje/premor/CH+, da ustavite predvajanje; s ponovnim pritiskom na isti gumb nadaljujete normalno predvajanje; s pritiskom na gumb ustavitve/CH- ustavite predvajanje.

**Uporaba zunanje pomnilniške naprave (USB)**

1. Pritisnite gumb za vklop/stanje pripravljenosti, da tako vklopite napravo (indikator stanja pripravljenosti ugasne).
2. Priklopite napravo USB na port USB.
3. Pritisnite na gumb SOURCE za vklop načina USB.
4. Po zaznavi in odčitku vsebine na priklopljeni napravi USB se predvajanje samodejno začne s prvo skladbo.
5. S pritiskom na gumb za predvajanje/premor/CH+ ustavite predvajanje ali z njim nadaljujete.
6. S pritiskom na gumb ustavitve/CH- ustavite predvajanje.

**Preskakovanje skladb in iskanje določenega mesta za predvajanje (CD/MP3/USB)**

1. Enkrat pritisnite na gumb za preskok na naslednjo skladbo/pomik naprej za prehod na naslednjo skladbo. Enkrat pritisnite gumb za povratek na prejšnjo skladbo/pomik nazaj za prehod na prejšnjo skladbo.
2. Pritisnite in držite pritisnik na gumb prehoda na naslednjo/prejšnjo skladbo/pomika naprej/nazaj, da hitro skočite na določeno točko skladbe.
3. Med predvajanjem enkrat pritisnite in držite pritisnik na gumb FOLDER/10+, da se tako pomaknete za 10 skladb naprej, dva krat pa pritisnite za pomik za 20 skladb naprej. S tem gumbom se lahko pomaknete na zadnjo skladbo na plošči.

**Prehod na prejšnji/naslednji folder (MP3/USB)**

1. Med predvajanjem enkrat pritisnite in držite pritisnik na gumb FOLDER/10+ ter sprostite pritisnik, ko začne na zaslonu utripati številka mape.
2. Pritisnite na gumb prehoda na naslednjo/prejšnjo skladbo/pomika naprej/nazaj, da tako izberete zeleni folder.
3. Ko se na zaslonu prikaže številka mape, pritisnite gumb FOLDER/10+ za potrditev.

**Predvajanje s ponavljanjem (CD/MP3/USB)**

Med predvajanjem pritisnite na gumb PROG/MEM/MODE za ponovitev predvajanje ene skladbe; pritisnite na gumb dvakrat, da ponovite vse skladbe; pritisnite na gumb trikrat, da začnete predvajati začetke skladb; pritisnite na gumb štirikrat, da preklonite v način naključnega predvajanja; pritisnite na gumb petkrat, da zaključite delovanje funkcije.

**Programirano predvajanje (CD/MP3/USB)**

1. V načinu ustavitve enkrat pritisnite na gumb PROG/MEM/MODE in najprej se bo prikazala ikona programa s simbolom "P01", nato pa bo začela na zaslonu LCD utripati številka skupaj z ikono programa.
2. Izberite prvo skladbo, ki jo želite programirati, s pritiskom na gumb prehoda na naslednjo/prejšnjo skladbo / pomika naprej/nazaj, nato pa ponovno pritisnite na PROG/MEM/MODE, da jo shranite in preidete na naslednji korak programiranja (če se na plošči MP3 ali pomnilniku USB nahaja več folderjev, je treba najprej programirati folderje in šele nato skladbe. Način programiranja folderjev je enak načinu programiranja skladb).
3. Ponovite zgornje korake, da programirate več skladb. V pomnilniku je možno programirati največ 20 skladb v primeru CD-jev in do 99 skladb v primeru MP3/USB. Če je pomnilnik poln, se prikaže sporočilo "FULL".
4. Pritisnite gumb za predvajanje/premor/CH+ za začetek predvajanja po programiranem vrstnem redu. Predvajanje se konča potem, ko so bile predvajane vse programirane skladbe.
5. Pritisnite na gumb ustavitve/CH-, da ustavite programirano predvajanje. Ko ustavite programirano predvajanje, pritisnite gumb za predvajanje/premor/CH+, da začnete s programiranim predvajanjem v prejšnjem vrstnem redu; pritisnite gumb ustavitve/CH- za brisanje programa.

**Vhod AUX**

1. Priklopite zunanjo napravo z zvočnim kablom - na primer predvajalnik MP3 – na vhod AUX IN.
2. Z ustreznimi koraki vklopite napajanje naprave.
3. Pritisnite gumb SOURCE za vklop načina AUX.
4. Upravljajte predvajanje glasbe s pomočjo krmilnih elementov zunanje naprave.

**VTIČNICA ZA PRIKLOP SLUŠALK**

Na hrbtne strani naprave se nahaja vtičnica za priklop slušalk, ki omogoča poslušanje glasbe brez motenja drugih oseb v bližini.

Priklopite sistem slušalk/slušalke (NISO vključene v komplet) in nastavite zeleno raven glasnosti.

POZOR: Priklop zunanjih slušalk ima za posledico izklop zvočnikov.

OPOZORILO: Dolgotrajno poslušanje glasne glasbe prek slušalke lahko poškoduje vaš sluh.

**TEHNIČNI PODATKI**

**Izhodna moč:** 1,2 W x 2, skupno harmonično popačenje 10%

**Radio FM z zanko PLL** 87,5-108 MHz

**USB:** različica USB 2.0

**Poraba energije v stanju pripravljenosti:** < 0,5 W

**Vir napajanja:** AC IN, 230 V ~ 50 / 60 Hz

**Napajanje iz baterijskih vložkov:** UM2 x 6 (baterije niso del kompleta).

#### Competence Center

2N-Everpol Sp. z o.o.  
ul. Puławska 403A  
02-801 Warsaw, Poland  
phone: +48 22 331 99 59  
e-mail: [info@everpol.pl](mailto:info@everpol.pl)  
[www.blaupunkt.com](http://www.blaupunkt.com)

W przypadku pytań lub problemów  
prosimy o kontakt z naszym serwisem.  
In case of questions or problems  
please contact our service.  
Tel. 00 48 22 331 99 53  
E-mail: [info@blaupunkt-audio.pl](mailto:info@blaupunkt-audio.pl)

Wszelkie prawa zastrzeżone. Wszystkie nazwy marek są zarejestrowanymi  
znakami towarowymi należącymi do odpowiednich podmiotów.  
Dane i parametry techniczne mogą ulec zmianie bez wcześniejszego uprzedzenia.

All rights reserved. All brand names are registered trademarks of their  
respective owners. Specifications are subject to change without prior notice.

A dark blue horizontal bar containing the slogan "Enjoy it." in a white, italicized, sans-serif font.

*Enjoy it.*