

# Instructions for use

## WASHING MACHINE

**GB**

English,1

**IT**

Italiano,13

**PL**

Polski,25

**DE**

Deutsch,37

**CZ**

Česky,49

**SK**

Slovensky,61

**UA**

Українська,73

**IWUD 41252**

### Contents

#### Installation, 2-3

Unpacking and levelling  
Connecting the electricity and water supplies  
The first wash cycle  
Technical data

#### Care and maintenance, 4

Cutting off the water or electricity supply  
Cleaning the washing machine  
Cleaning the detergent dispenser drawer  
Caring for the door and drum of your appliance  
Cleaning the pump  
Checking the water inlet hose

#### Precautions and tips, 5

General safety  
Disposal

#### Description of the washing machine and starting a wash cycle, 6-7

Control panel  
Indicator lights  
Starting a wash cycle

#### Wash cycles, 8

Table of wash cycles

#### Personalisation, 9

Setting the temperature  
Setting the spin speed  
Functions

#### Detergents and laundry, 10

Detergent dispenser drawer  
Preparing the laundry  
Garments requiring special care  
Load balancing system

#### Troubleshooting, 11

#### Service, 12

# Installation

GB

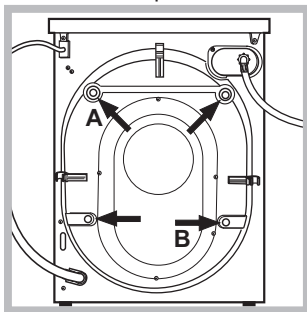
! This instruction manual should be kept in a safe place for future reference. If the washing machine is sold, transferred or moved, make sure that the instruction manual remains with the machine so that the new owner is able to familiarise himself/herself with its operation and features.

! Read these instructions carefully: they contain vital information relating to the safe installation and operation of the appliance.

## Unpacking and levelling

### Unpacking

1. Remove the washing machine from its packaging.  
2. Make sure that the washing machine has not been damaged during the transportation process. If it has been damaged, contact the retailer and do not proceed any further with the installation process.



3. Remove the 4 protective screws (used during transportation) and the rubber washer with the corresponding spacer, located on the rear part of the appliance (see figure).  
4. Close off the holes using the plastic plugs provided.

5. Keep all the parts in a safe place: you will need them again if the washing machine needs to be moved to another location.

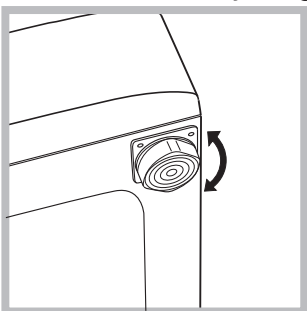
! Packaging materials should not be used as toys for children.

! Every time the machine needs to be tilted or moved, the screws, the rubber washer and the spacer should be re-fitted at points **A** and **B**, in order to ensure the internal components remain intact.

Remember to remove these elements afterwards.

### Levelling

1. Install the washing machine on a flat sturdy floor, without resting it up against walls, furniture cabinets or anything else.

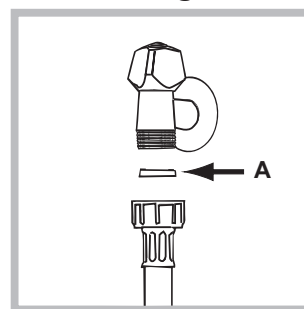


2. If the floor is not perfectly level, compensate for any unevenness by tightening or loosening the adjustable front feet (see figure); the angle of inclination, measured in relation to the worktop, must not exceed 2°.

Levelling the machine correctly will provide it with stability, help to avoid vibrations and excessive noise and prevent it from shifting while it is operating. If it is placed on carpet or a rug, adjust the feet in such a way as to allow a sufficient ventilation space underneath the washing machine.

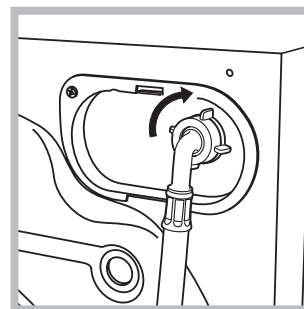
## Connecting the electricity and water supplies

### Connecting the water inlet hose



1. Insert seal A into the end of the inlet hose and screw the latter onto a cold water tap with a 3/4 gas threaded mouth (see figure).

Before making the connection, allow the water to run freely until it is perfectly clear.



2. Connect the inlet hose to the washing machine by screwing it onto the corresponding water inlet of the appliance, which is situated on the top right-hand side of the rear part of the appliance (see figure).

3. Make sure that the hose is not folded over or bent.

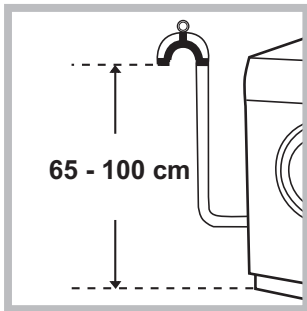
! The water pressure at the tap must fall within the values indicated in the Technical details table (see next page).

! If the inlet hose is not long enough, contact a specialised shop or an authorised technician.

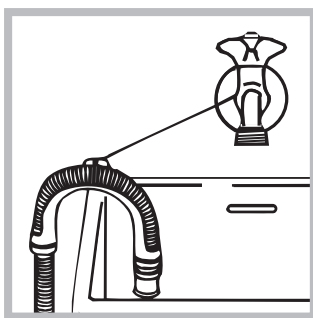
! Never use second-hand hoses.

! Use the ones supplied with the machine.

## Connecting the drain hose



Connect the drain hose, without bending it, to a drainage duct or a wall drain located at a height between 65 and 100 cm from the floor;



alternatively, rest it on the side of a washbasin or bathtub, fastening the duct supplied to the tap (see figure). The free end of the hose should not be underwater.

! We advise against the use of hose extensions; if it is absolutely necessary, the extension must have the same diameter as the original hose and must not exceed 150 cm in length.

## Electrical connections

Before plugging the appliance into the electricity socket, make sure that:

- the socket is earthed and complies with all applicable laws;
- the socket is able to withstand the maximum power load of the appliance as indicated in the Technical data table (see opposite);
- the power supply voltage falls within the values indicated in the Technical data table (see opposite);
- the socket is compatible with the plug of the washing machine. If this is not the case, replace the socket or the plug.

! The washing machine must not be installed outdoors, even in covered areas. It is extremely dangerous to leave the appliance exposed to rain, storms and other weather conditions.

! When the washing machine has been installed, the electricity socket must be within easy reach.

! Do not use extension cords or multiple sockets.



! The cable should not be bent or compressed.

! The power supply cable must only be replaced by authorised technicians.

Warning! The company shall not be held responsible in the event that these regulations are not respected.

## The first wash cycle

Once the appliance has been installed, and before you use it for the first time, run a wash cycle with detergent and no laundry, using the wash cycle 2.

Technical data	
<b>Model</b>	IWUD 41252
<b>Dimensions</b>	width 59,5 cm height 85 cm depth 33 cm
<b>Capacity</b>	from 1 to 4 kg
<b>Electrical connections</b>	please refer to the technical data plate fixed to the machine
<b>Water connection</b>	maximum pressure 1 MPa (10 bar) minimum pressure 0.05 MPa (0.5 bar) drum capacity 27 litres
<b>Spin speed</b>	up to 1200 rotations per minute
<b>Test wash cycles in accordance with directives 1061/2010 and 1015/2010</b>	Programme 2: Cotton standard 60°C; Programme 3: Cotton standard 40°C.
 	This appliance conforms to the following EC Directives: - 2004/108/CE (Electromagnetic Compatibility) - 2012/19/EU - 2006/95/EC Low Voltage)

# Care and maintenance

GB

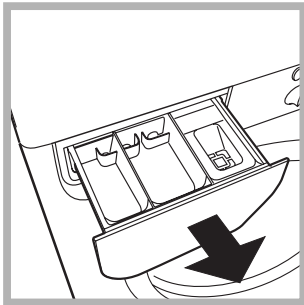
## Cutting off the water and electricity supplies

- Turn off the water tap after every wash cycle. This will limit wear on the hydraulic system inside the washing machine and help to prevent leaks.
- Unplug the washing machine when cleaning it and during all maintenance work.

## Cleaning the washing machine

The outer parts and rubber components of the appliance can be cleaned using a soft cloth soaked in lukewarm soapy water. Do not use solvents or abrasives.

## Cleaning the detergent dispenser drawer



Remove the dispenser by raising it and pulling it out (see figure). Wash it under running water; this operation should be repeated frequently.

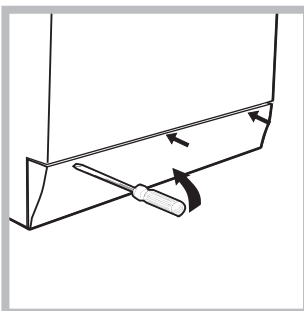
## Caring for the door and drum of your appliance

- Always leave the porthole door ajar in order to prevent unpleasant odours from forming.

## Cleaning the pump

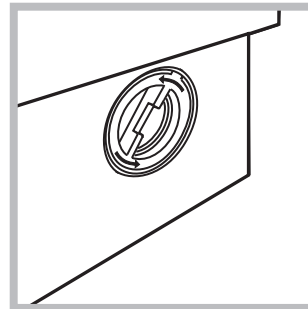
The washing machine is fitted with a self-cleaning pump which does not require any maintenance. Sometimes, small items (such as coins or buttons) may fall into the pre-chamber which protects the pump, situated in its bottom part.

- ! Make sure the wash cycle has finished and unplug the appliance.



To access the pre-chamber:

1. using a screwdriver, remove the cover panel on the lower front part of the washing machine (see figure);



2. unscrew the lid by rotating it anti-clockwise (see figure): a little water may trickle out. This is perfectly normal;

3. clean the inside thoroughly;
4. screw the lid back on;
5. reposition the panel, making sure the hooks are securely in place before you push it onto the appliance.

## Checking the water inlet hose

Check the inlet hose at least once a year. If there are any cracks, it should be replaced immediately: during the wash cycles, water pressure is very strong and a cracked hose could easily split open.

- ! Never use second-hand hoses.

! This washing machine was designed and constructed in accordance with international safety regulations. The following information is provided for safety reasons and must therefore be read carefully.

Consumers should contact their local authority or retailer for information concerning the correct disposal of their old appliance.

GB

## General safety

- This appliance was designed for domestic use only.
- This appliance can be used by children aged from 8 years and above and persons with reduced physical, sensory or mental capabilities or lack of experience and knowledge if they have been given supervision or instruction concerning use of the appliance in a safe way and understand the hazards involved. Children shall not play with the appliance. Cleaning and user maintenance shall not be made by children without supervision.
- Do not touch the machine when barefoot or with wet or damp hands or feet.
- Do not pull on the power supply cable when unplugging the appliance from the electricity socket. Hold the plug and pull.
- Do not open the detergent dispenser drawer while the machine is in operation.
- Do not touch the drained water as it may reach extremely high temperatures.
- Never force the porthole door. This could damage the safety lock mechanism designed to prevent accidental opening.
- If the appliance breaks down, do not under any circumstances access the internal mechanisms in an attempt to repair it yourself.
- Always keep children well away from the appliance while it is operating.
- The door can become quite hot during the wash cycle.
- If the appliance has to be moved, work in a group of two or three people and handle it with the utmost care. Never try to do this alone, because the appliance is very heavy.
- Before loading laundry into the washing machine, make sure the drum is empty.

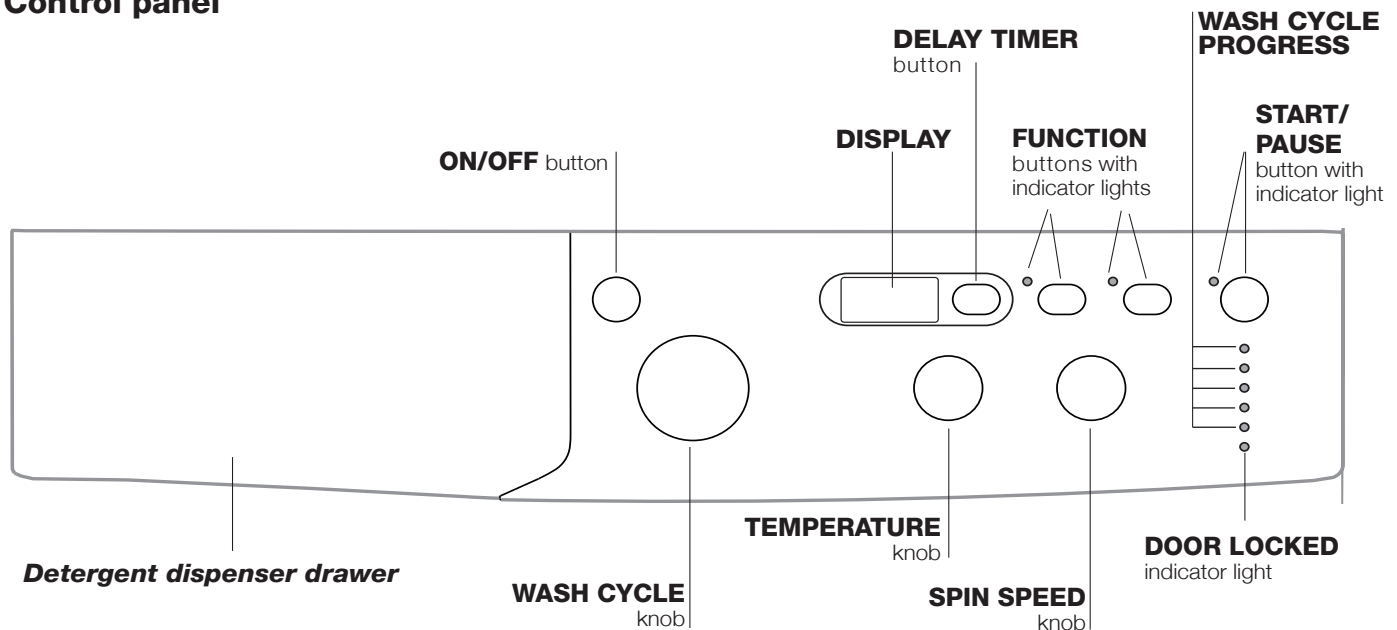
## Disposal

- Disposing of the packaging materials: observe local regulations so that the packaging may be re-used.
- The European Directive 2012/19/EU on Waste Electrical and Electronic Equipment, requires that old household electrical appliances must not be disposed of in the normal unsorted municipal waste stream. Old appliances must be collected separately in order to optimise the recovery and recycling of the materials they contain and reduce the impact on human health and the environment. The crossed out “wheeled bin” symbol on the product reminds you of your obligation, that when you dispose of the appliance it must be separately collected.

# Description of the washing machine and starting a wash cycle

GB

## Control panel



**Detergent dispenser drawer:** used to dispense detergents and washing additives (see “Detergents and laundry”).

**ON/OFF button:** switches the washing machine on and off.

**WASH CYCLE knob:** programmes the wash cycles. During the wash cycle, the knob does not move.

**FUNCTION buttons with indicator light:** used to select the available functions. The indicator light corresponding to the selected function will remain lit.

**TEMPERATURE knob:** sets the temperature or the cold wash cycle (see “Personalisation”).

**SPIN SPEED knob:** sets the spin speed or exclude the spin cycle completely (see “Personalisation”).


**DISPLAY:** used to view the duration of the various cycles available and the remaining time of a cycle in progress; if the DELAY TIMER option has been selected, the countdown to the start of the selected cycle will appear.

**DELAY TIMER button** : press to set a delayed start time for the selected wash cycle. The delay time will be shown on the display.

**WASH CYCLE PROGRESS indicator lights:** used to monitor the progress of the wash cycle. The illuminated indicator light shows which phase is in progress.

**DOOR LOCKED indicator light:** indicates whether the door may be opened or not (see next page).

**START/PAUSE button with indicator light:** starts or temporarily interrupts the wash cycles.

**N.B.** To pause the wash cycle in progress, press this button; the corresponding indicator light will flash orange, while the indicator light for the current wash cycle phase will remain lit in a fixed manner. If the DOOR LOCKED  indicator light is switched off, the door may be opened. To start the wash cycle from the point at which it was interrupted, press this button again.

### Standby mode

This washing machine, in compliance with new energy saving regulations, is fitted with an automatic standby system which is enabled after about 30 minutes if no activity is detected. Press the ON-OFF button briefly and wait for the machine to start up again.

*Consumption in off-mode: 0,5 W*






*Consumption in Left-on: 8 W*

## Indicator lights

The indicator lights provide important information. This is what they can tell you:

### Wash cycle phase indicator lights

Once the desired wash cycle has been selected and has begun, the indicator lights switch on one by one to indicate which phase of the cycle is currently in progress.

Wash	
Rinse	
Spin	
Drain	
End of wash cycle	

### Function buttons and corresponding indicator lights

When a function is selected, the corresponding indicator light will illuminate.

If the selected function is not compatible with the programmed wash cycle, the corresponding indicator light will flash and the function will not be activated.

If the selected function is not compatible with another function which has been selected previously, the indicator light corresponding to the first function selected will flash and only the second function will be activated; the indicator light corresponding to the enabled option will remain lit.


### Door locked indicator light

When the indicator light is on, the porthole door is locked to prevent it from being opened; make sure the indicator light is off before opening the door (wait approximately 3 minutes). To open the door during a running wash cycle, press the START/PAUSE button; the door may be opened once the DOOR LOCKED indicator light turns off.

## Starting a wash cycle

1. Switch the washing machine on by pressing the ON/OFF button. All indicator lights will switch on for a few seconds, then they will switch off and the START/PAUSE indicator light will pulse.
2. Load the laundry and close the door.
3. Set the WASH CYCLE knob to the desired programme.
4. Set the washing temperature (see "Personalisation").
5. Set the spin speed (see "Personalisation").
6. Measure out the detergent and washing additives (see "Detergents and laundry").
7. Select the desired functions.
8. Start the wash cycle by pressing the START/PAUSE button and the corresponding indicator light will remain lit in a fixed manner, in green.



To cancel the set wash cycle, pause the machine by pressing the START/PAUSE button and select a new cycle.

9. At the end of the wash cycle the **END** indicator light will switch on. The door can be opened once the DOOR LOCK  indicator light turns off. Take out your laundry and leave the appliance door ajar to make sure the drum dries completely. Switch the washing machine off by pressing the ON/OFF button.



# Wash cycles

**Table of wash cycles**

Wash cycles	Description of the wash cycle	Max. temp. (°C)	Max. speed (rpm)	Detergents			Max. load (kg)	Residual dampness %	Energy consumption kWh	Total water lt	Cycle duration
				Pre-wash	Wash	Fabric softener					
<b>Daily</b>											
1	Cotton with prewash: extremely soiled whites.	90°	1200	●	●	●	4	53	1,46	44	140'
2	Cotton Standard 60° (1): heavily soiled whites and resistant colours.	60° (Max. 90°)	1200	-	●	●	4	53	0,67	32	160'
3	Cotton Standard 40° (2): lightly soiled whites and delicate colours.	40°	1200	-	●	●	4	53	0,60	46	150'
4	Synthetics: heavily soiled resistant colours.	60°	800	-	●	●	2	42	0,67	26	95'
4	Synthetics (3): lightly soiled resistant colours.	40°	800	-	●	●	2	42	0,42	27	85'
5	Mix Colored: lightly soiled whites and delicate colours.	40°	1200	-	●	●	4	53	0,65	32	85'
<b>20° Zone</b>											
6	Cotton Standard 20°: lightly soiled whites and delicate colours.	20°	1200	-	●	●	4	-	-	-	160'
7	Mix Light	20°	800	-	●	●	4	-	-	-	105'
8	20' Refresh	20°	800	-	●	●	1,5	-	-	-	20'
<b>Special</b>											
9	Silk/Curtains: for garments in silk and viscose, lingerie.	30°	0	-	●	●	1	-	-	-	50'
10	Wool: for wool, cashmere, etc.	40°	800	-	●	●	1	-	-	-	55'
11	Jeans	40°	800	-	●	●	1,5	-	-	-	70'
<b>Sport</b>											
12	Sport Intensive	30°	600	-	●	●	1,5	-	-	-	80'
13	Sport Light	30°	600	-	●	●	1,5	-	-	-	55'
14	Sport Shoes	30°	600	-	●	●	Max. 2 Pairs	-	-	-	50'
<b>Partial wash cycles</b>											
	Rinse	-	1200	-	-	●	4	-	-	-	36'
	Spin + Drain	-	1200	-	-	-	4	-	-	-	16'

The length of cycle shown on the display or in this booklet is an estimation only and is calculated assuming standard working conditions. The actual duration can vary according to factors such as water temperature and pressure, the amount of detergent used, the amount and type of load inserted, load balancing and any wash options selected.

**1) Test wash cycle in compliance with directive 1061/2010: set wash cycle 2 with a temperature of 60°C.**

This cycle is designed for cotton loads with a normal soil level and is the most efficient in terms of both electricity and water consumption; it should be used for garments which can be washed at 60°C. The actual washing temperature may differ from the indicated value.

**2) Test wash cycle in compliance with directive 1061/2010: set wash cycle 3 with a temperature of 40°C.**

This cycle is designed for cotton loads with a normal soil level and is the most efficient in terms of both electricity and water consumption; it should be used for garments which can be washed at 40°C. The actual washing temperature may differ from the indicated value.

For all Test Institutes:

2) Long wash cycle for cottons: set wash cycle 3 with a temperature of 40°C.

3) Synthetic program along: set wash cycle 4 with a temperature of 40°C.

**Sport Intensive** (wash cycle 12) is for washing heavily soiled sports clothing fabrics (tracksuits, shorts, etc.); for best results, we recommend not exceeding the maximum load indicated in the "Table of wash cycles".

**Sport Light** (wash cycle 13) is for washing lightly soiled sports clothing fabrics (tracksuits, shorts, etc.); for best results, we recommend not exceeding the maximum load indicated in the "Table of wash cycles". We recommend using a liquid detergent and dosage suitable for a half-load.

**Sport Shoes** (wash cycle 14) is for washing sports shoes; for best results, do not wash more than 2 pairs simultaneously.

**The 20° wash cycles** (20° Zone) offer effective washing performance at low temperatures, reducing electricity usage and expenditure while benefitting the environment. The 20° wash cycles meet all requirements:

**Cotton Standard 20°** (programme 6) ideal for lightly soiled cotton loads. The effective performance levels achieved at cold temperatures, which are comparable to washing at 40°, are guaranteed by a mechanical action which operates at varying speed, with repeated and frequent peaks.

**Mix Light** (programme 7) ideal for mixed loads (cotton and synthetics) with a normal soil level. The effective performance levels achieved at cold temperatures are guaranteed by a mechanical action which operates at varying speed, across set average intervals.

**20' Refresh** (programme 8) ideal for refreshing and washing lightly soiled garments in a few minutes. It lasts just 20 minutes and therefore saves both time and energy. It can be used to wash different types of fabrics together (except for wool and silk), with a maximum load of 1.5 kg.



## Setting the temperature

Turn the TEMPERATURE knob to set the wash temperature (see *Table of wash cycles*).

The temperature may be lowered, or even set to a cold wash .

The washing machine will automatically prevent you from selecting a temperature which is higher than the maximum value set for each wash cycle.

! Exception: if the **2** programme is selected, the temperature can be increased up to a value of 90°C.

## Setting the spin speed

Turn the SPIN SPEED knob to set the spin speed for the selected wash cycle.

The maximum spin speeds available for each wash cycle are as follows:

Wash cycles	Maximum spin speed
Cottons	1200 rpm
Synthetics	800 rpm
Wool	800 rpm
Silk	drain only

The spin speed may be lowered, or the spin cycle can be excluded altogether by selecting the symbol .

The washing machine will automatically prevent you from selecting a spin speed which is higher than the maximum speed set for each wash cycle.

## Functions


The various wash functions available with this washing machine will help to achieve the desired results, every time.

To activate the functions:

1. Press the button corresponding to the desired function;
2. the function is enabled when the corresponding indicator light is illuminated.

Note: If the indicator light flashes rapidly, this signals that this particular function may not be selected in conjunction with the selected wash cycle.



### Delay timer

To set a delayed start for the selected programme, press the corresponding button repeatedly until the required delay period has been reached. When this option is enabled, the  symbol lights up on the display. To remove the delayed start option press the button until the text "OFF" appears on the display.


! This option is enabled with all programmes.

### EcoTime



Selecting this option enables you to suitably adjust drum rotation, temperature and water to a reduced load of lightly soiled cotton and synthetic fabrics (refer to the "*Table of wash cycles*"). "EcoTime" enables you to wash in less time thereby saving water and electricity. We suggest using a liquid detergent suitably measured out to the load quantity.

! This function may not be used in conjunction with wash cycles 1, 6, 7, 8, 9, 10, 11, 12, 13, 14, , .

### Energy Saver

The  function saves energy by not heating the water used to wash your laundry - an advantage both to the environment and to your energy bill. Instead, intensified wash action and water optimisation ensure great wash results in the same average time of a standard cycle.

For the best washing results we recommend the usage of a liquid detergent.

! This function may not be used in conjunction with wash cycles 1, 6, 7, 8, 9, 10, 12, 13, 14, , .

# Detergents and laundry

GB

## Detergent dispenser drawer

Good washing results also depend on the correct dose of detergent: adding too much detergent will not necessarily result in a more efficient wash, and may in fact cause build up on the inside of your appliance and contribute to environmental pollution.

! Do not use hand washing detergents because these create too much foam.

! Use powder detergent for white cotton garments, for pre-washing, and for washing at temperatures over 60°C.

! Follow the instructions given on the detergent packaging.



Open the detergent dispenser drawer and pour in the detergent or washing additive, as follows.

**compartment 1: Compartment 1: Pre-wash detergent (powder)**

**compartment 2: Detergent for the wash cycle (powder or liquid)**

Liquid detergent should only be poured in immediately prior to the start of the wash cycle.

**compartment 3: Additives (fabric softeners, etc.)**

The fabric softener should not overflow the grid.

## Preparing the laundry

- Divide the laundry according to:
  - the type of fabric/the symbol on the label
  - the colours: separate coloured garments from whites.
- Empty all garment pockets and check the buttons.
- Do not exceed the values listed in the "Table of wash cycles", which refer to the weight of the laundry when dry.


### How much does your laundry weigh?

- 1 sheet 400-500 g
- 1 pillow case 150-200 g
- 1 tablecloth 400-500 g
- 1 bathrobe 900-1200 g
- 1 towel 150-250 g

## Garments requiring special care

**Silk:** use special wash cycle **9** to wash all silk garments. We recommend the use of special detergent which has been designed to wash delicate clothes.

**Curtains:** fold curtains and place them in a pillow case or mesh bag. Use wash cycle **9**.

**Wool:** all wool garments can be washed using programme **10**, even those carrying the "hand-wash only"  label. For best results, use special detergents and do not exceed 1 kg of laundry.

**Jeans:** Turn garments inside-out before washing and use a liquid detergent. Use programme **11**.

## Load balancing system

Before every spin cycle, to avoid excessive vibrations and to distribute the load in a uniform manner, the drum rotates continuously at a speed which is slightly greater than the washing rotation speed. If, after several attempts, the load is not balanced correctly, the machine spins at a reduced spin speed. If the load is excessively unbalanced, the washing machine performs the distribution process instead of spinning. To encourage improved load distribution and balance, we recommend small and large garments are mixed in the load.

Your washing machine could fail to work. Before contacting the Technical Assistance Centre (see “Assistance”), make sure that the problem cannot be solved easily using the following list.

## Problem:

## Possible causes / Solutions:

**The washing machine does not switch on.**

- The appliance is not plugged into the socket fully, or is not making contact.
- There is no power in the house.

**The wash cycle does not start.**

- The washing machine door is not closed properly.
- The ON/OFF button has not been pressed.
- The START/PAUSE button has not been pressed.
- The water tap has not been opened.
- A delayed start has been set (see “Personalisation”).

**The washing machine does not take in water (“H2O” will flash on the display).**

- The water inlet hose is not connected to the tap.
- The hose is bent.
- The water tap has not been opened.
- There is no water supply in the house.
- The pressure is too low.
- The START/PAUSE button has not been pressed.

**The washing machine continuously takes in and drains water.**

- The drain hose is not fitted at a height between 65 and 100 cm from the floor (see “Installation”).
- The free end of the hose is under water (see “Installation”).
- The wall drainage system is not fitted with a breather pipe.

If the problem persists even after these checks, turn off the water tap, switch the appliance off and contact the Assistance Service. If the dwelling is on one of the upper floors of a building, there may be problems relating to water drainage, causing the washing machine to fill with water and drain continuously. Special anti-draining valves are available in shops and help to avoid this inconvenience.

**The washing machine does not drain or spin.**

- The wash cycle does not include draining: some wash cycles require the drain phase to be started manually.
- The drain hose is bent (see “Installation”).
- The drainage duct is clogged.

**The washing machine vibrates a lot during the spin cycle.**

- The drum was not unlocked correctly during installation (see “Installation”).
- The washing machine is not level (see “Installation”).
- The washing machine is trapped between cabinets and walls (see “Installation”).

**The washing machine leaks.**

- The water inlet hose is not screwed on properly (see “Installation”).
- The detergent dispenser drawer is blocked (for cleaning instructions, see “Care and maintenance”).
- The drain hose is not fixed properly (see “Installation”).

**The “function” indicator lights and the “start/pause” indicator light flash, while one of the “phase in progress” indicator lights and the “door locked” indicator light will remain lit in a fixed manner.**

- Switch off the machine and unplug it, wait for approximately 1 minute and then switch it back on again.  
If the problem persists, contact the Technical Assistance Service.

**There is too much foam.**

- The detergent is not suitable for machine washing (it should display the text “for washing machines” or “hand and machine wash”, or the like).
- Too much detergent was used.

# Service

GB

## Before calling for Assistance:

- Check whether you can solve the problem alone (see “Troubleshooting”);
- Restart the programme to check whether the problem has been solved;
- If this is not the case, contact an authorised Technical Assistance Centre using the telephone number provided on the guarantee certificate.

! Always request the assistance of authorised technicians.

## Have the following information to hand:

- the type of problem;
- the appliance model (Mod.);
- the serial number (S/N).

This information can be found on the data plate applied to the rear of the washing machine, and can also be found on the front of the appliance by opening the door.

### COMMISSION DELEGATED REGULATION (EU) No 1061/2010

Brand	INDESIT
Model	IWUD 41252 C ECO EU
Rated capacity in kg of cotton	4.0
Energy efficiency class on a scale from A+++ (low consumption) to G (high consumption)	A++
Energy consumption per year in kWh <sup>1)</sup>	124.0
Energy consumption of the standard 60 °C cotton programme at full load in kWh <sup>2)</sup>	0.67
Energy consumption of the standard 60 °C cotton programme at partial load in kWh <sup>2)</sup>	0.445
Energy consumption of the standard 40 °C cotton programme at partial load in kWh <sup>2)</sup>	0.385
Power consumption of the off-mode in W	0.5
Power consumption of the left-on mode in W	8.0
Water consumption per year in litres <sup>3)</sup>	5720
Spin-drying efficacy class on a scale from G (minimum efficacy) to A (maximum efficacy)	B
Maximum spin speed attained <sup>4)</sup>	1200
Remaining moisture content <sup>5)</sup>	53%
Programme time of the "standard 60 °C cotton" at full load in minutes	160
Programme time of the "standard 60 °C cotton" at partial load in minutes	110
Programme time of the "standard 40 °C cotton" at partial load in minutes	105
Duration of the left-on mode in minutes	30
Noise in dB(A) re 1 pW washing <sup>6)</sup>	59
Noise in dB(A) re 1 pW spinning <sup>6)</sup>	77

<sup>1)</sup> The "standard 60°C cotton" at full and partial load and the "standard 40°C cotton" at partial load are the standard washing programmes to which the information in the label and the fiche relates. Standard 60°C cotton and standard 40°C cotton are suitable to clean normally soiled cotton laundry and are the most efficient programmes in terms of combined energy and water consumption. Partial load is half the rated load.

<sup>2)</sup> Based on 220 standard washing cycles for cotton programmes at 60°C and 40°C at full and partial load, and the consumption of the low-power modes. Actual energy consumption will depend on how the appliance is used.

<sup>3)</sup> Based on 220 standard washing cycles for cotton programmes at 60°C and 40°C at full and partial load. Actual water consumption will depend on how the appliance is used.

<sup>4)</sup> For the standard 60 °C at full and partial load or the 40°C at partial whichever is lower.

<sup>5)</sup> Attained for 60 °C cotton at full and partial load or the 40°C at partial whichever is higher.

<sup>6)</sup> Based on washing and spinning phases for the standard 60°C cotton programme at full load.



Italiano

**IWUD 41252**

### Sommario

#### **Installazione, 14-15**

Disimballo e livellamento  
Collegamenti idraulici ed elettrici  
Primo ciclo di lavaggio  
Dati tecnici

#### **Manutenzione e cura, 16**

Escludere acqua e corrente elettrica  
Pulire la lavabiancheria  
Pulire il cassetto dei detersivi  
Curare oblò e cestello  
Pulire la pompa  
Controllare il tubo di alimentazione dell'acqua

#### **Precauzioni e consigli, 17**

Sicurezza generale  
Smaltimento

#### **Descrizione della lavabiancheria e avviare un programma, 18-19**

Pannello di controllo  
Spie  
Avviare un programma

#### **Programmi, 20**

Tabella dei programmi

#### **Personalizzazioni, 21**

Impostare la temperatura  
Impostare la centrifuga  
Opzioni

#### **Detersivi e biancheria, 22**

Cassetto dei detersivi  
Preparare la biancheria  
Capi particolari  
Sistema bilanciamento del carico

#### **Anomalie e rimedi, 23**

#### **Assistenza, 24**

Assistenza Attiva 7 giorni su 7

# Installazione

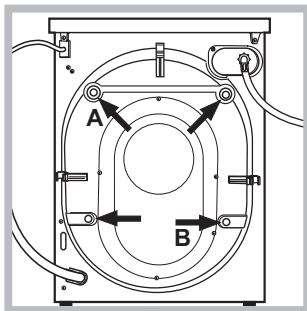
! È importante conservare questo libretto per poterlo consultare in ogni momento. In caso di vendita, di cessione o di trasloco, assicurarsi che resti insieme alla lavabiancheria per informare il nuovo proprietario sul funzionamento e sui relativi avvertimenti.

! Leggere attentamente le istruzioni: ci sono importanti informazioni sull'installazione, sull'uso e sulla sicurezza.

## Disimballo e livellamento

### Disimballo

1. Disimballare la lavabiancheria.
2. Controllare che la lavabiancheria non abbia subito danni nel trasporto. Se fosse danneggiata non collegarla e contattare il rivenditore.



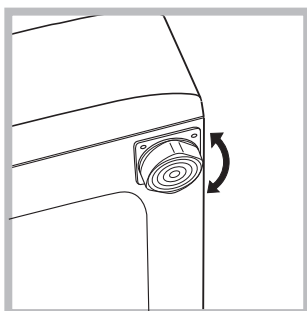
3. Rimuovere le 4 viti di protezione per il trasporto e il gommino con il relativo distanziale, posti nella parte posteriore (vedi figura).

4. Chiudere i fori con i tappi di plastica in dotazione.
5. Conservare tutti i pezzi: qualora la lavabiancheria debba essere trasportata, dovranno essere rimontati.

! Gli imballaggi non sono giocattoli per bambini.  
! Ogni qualvolta la macchina deve essere inclinata o spostata, per preservare l'integrità dei componenti interni occorre rimontare le viti, il gommino e il distanziale nelle posizioni **A** e **B**. Dopo l'operazione ricordarsi di rimuoverli.

### Livellamento

1. Installare la lavabiancheria su un pavimento piano e rigido, senza appoggiarla a muri, mobili o altro.

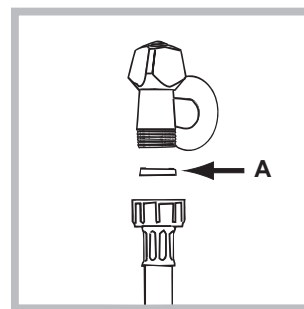


2. Se il pavimento non fosse perfettamente orizzontale, compensare le irregolarità svitando o avvitando i piedini anteriori (vedi figura); l'angolo di inclinazione, misurato sul piano di lavoro, non deve superare i 2°.

Un accurato livellamento dà stabilità alla macchina ed evita vibrazioni, rumori e spostamenti durante il funzionamento. In caso di moquette o di un tappeto, regolare i piedini in modo da conservare sotto la lavabiancheria uno spazio sufficiente per la ventilazione.

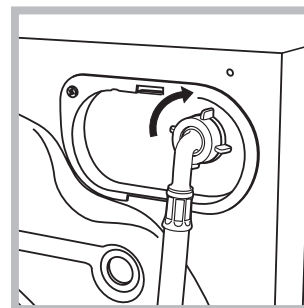
## Collegamenti idraulici ed elettrici

### Collegamento del tubo di alimentazione dell'acqua



1. Inserire la guarnizione **A** nell'estremità del tubo di alimentazione e avvitarlo a un rubinetto d'acqua fredda con bocca filettata da 3/4 gas (vedi figura). Prima di allacciare, far scorrere l'acqua finché non sia limpida.

Prima di allacciare, far scorrere l'acqua finché non sia limpida.



2. Collegare il tubo di alimentazione alla lavabiancheria avvitandolo all'apposita presa d'acqua, nella parte posteriore in alto a destra (vedi figura).

3. Fare attenzione che nel tubo non ci siano né pieghe né strozzature.

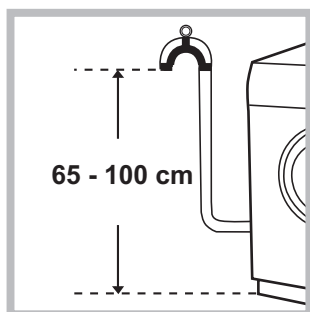
! La pressione idrica del rubinetto deve essere compresa nei valori della tabella Dati tecnici (vedi pagina a fianco).

! Se la lunghezza del tubo di alimentazione non fosse sufficiente, rivolgersi a un negozio specializzato o a un tecnico autorizzato.

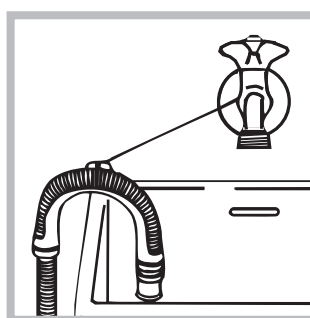
! Non utilizzare mai tubi già usati.

! Utilizzare quelli in dotazione alla macchina.

## Collegamento del tubo di scarico



Collegare il tubo di scarico, senza piegarlo, a una condotta di scarico o a uno scarico a muro posti tra 65 e 100 cm da terra;



oppure appoggiarlo al bordo di un lavandino o di una vasca, legando la guida in dotazione al rubinetto (vedi figura). L'estremità libera del tubo di scarico non deve rimanere immersa nell'acqua.

! È sconsigliato usare tubi di prolunga; se indispensabile, la prolunga deve avere lo stesso diametro del tubo originale e non superare i 150 cm.

## Collegamento elettrico

Prima di inserire la spina nella presa della corrente, accertarsi che:

- la presa abbia la messa a terra e sia a norma di legge;
- la presa sia in grado di sopportare il carico massimo di potenza della macchina, indicato nella tabella Dati tecnici (vedi a fianco);
- la tensione di alimentazione sia compresa nei valori indicati nella tabella Dati tecnici (vedi a fianco);
- la presa sia compatibile con la spina della lavabiancheria. In caso contrario sostituire la presa o la spina.

! La lavabiancheria non va installata all'aperto, nemmeno se lo spazio è riparato, perché è molto pericoloso lasciarla esposta a pioggia e temporali.

! A lavabiancheria installata, la presa della corrente deve essere facilmente raggiungibile.

! Non usare prolunghe e multiple.

! Il cavo non deve subire piegature o compressioni.

! Il cavo di alimentazione deve essere sostituito solo da tecnici autorizzati.

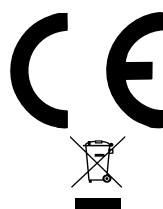
Attenzione! L'azienda declina ogni responsabilità qualora queste norme non vengano rispettate.

## Primo ciclo di lavaggio

Dopo l'installazione, prima dell'uso, effettuare un ciclo di lavaggio con detersivo e senza biancheria impostando il programma 2.

### Dati tecnici

<b>Modello</b>	IWUD 41252
<b>Dimensioni</b>	larghezza cm 59,5 altezza cm 85 profondità cm 33
<b>Capacità</b>	da 1 a 4 kg
<b>Collegamenti elettrici</b>	vedi la targhetta caratteristiche tecniche applicata sulla macchina
<b>Collegamenti idrici</b>	pressione massima 1 MPa (10 bar) pressione minima 0,05 MPa (0,5 bar) capacità del cesto 27 litri
<b>Velocità di centrifuga</b>	sino a 1200 giri al minuto
<b>Programmi di controllo secondo la direttiva 1061/2010 e 1015/2010</b>	programma 2; Cotone standard 60°C. programma 3; Cotone standard 40°C.



Questa apparecchiatura è conforme alle seguenti Direttive Comunitarie:

- 2004/108/CE (Compatibilità Elettromagnetica)
- 2012/19/EU
- 2006/95/CE (Bassa Tensione)



# Manutenzione e cura

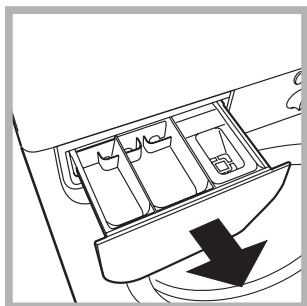
## Escludere acqua e corrente elettrica

- Chiudere il rubinetto dell'acqua dopo ogni lavaggio. Si limita così l'usura dell'impianto idraulico della lavabiancheria e si elimina il pericolo di perdite.
- Staccare la spina della corrente quando si pulisce la lavabiancheria e durante i lavori di manutenzione.

## Pulire la lavabiancheria

La parte esterna e le parti in gomma possono essere puliti con un panno imbevuto di acqua tiepida e sapone. Non usare solventi o abrasivi.

## Pulire il cassetto dei detersivi



Sfilare il cassetto sollevandolo e tirandolo verso l'esterno (vedi figura).

Lavarlo sotto l'acqua corrente; questa pulizia va effettuata frequentemente.

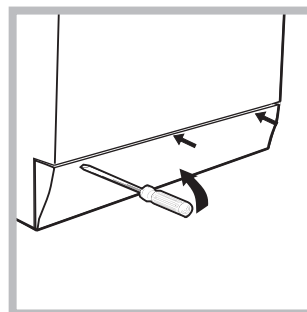
## Curare oblò e cestello

- Lasciare sempre socchiuso l'oblò per evitare che si formino cattivi odori.

## Pulire la pompa

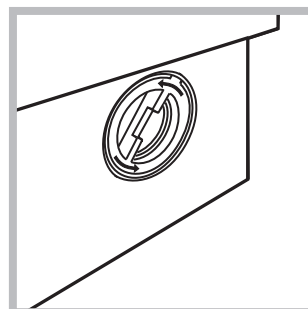
La lavabiancheria è dotata di una pompa autopulente che non ha bisogno di manutenzione. Può però succedere che piccoli oggetti (monete, bottoni) cadano nella precamera che protegge la pompa, situata nella parte inferiore di essa.

! Assicurarsi che il ciclo di lavaggio sia terminato e staccare la spina.



Per accedere alla precamera:

1. rimuovere il pannello di copertura sul lato anteriore della lavabiancheria con l'ausilio di un giravite (vedi figura);



2. svitare il coperchio ruotandolo in senso antiorario (vedi figura); è normale che fuoriesca un po' d'acqua;

3. pulire accuratamente l'interno;
4. riavvitare il coperchio;
5. rimontare il pannello assicurandosi, prima di spingerlo verso la macchina, di aver inserito i ganci nelle apposite asole.

## Controllare il tubo di alimentazione dell'acqua

Controllare il tubo di alimentazione almeno una volta all'anno. Se presenta screpolature e fessure va sostituito: durante i lavaggi le forti pressioni potrebbero provocare improvvise spaccature.

! Non utilizzare mai tubi già usati.

! La lavabiancheria è stata progettata e costruita in conformità alle norme internazionali di sicurezza. Queste avvertenze sono fornite per ragioni di sicurezza e devono essere lette attentamente.

## Sicurezza generale

- Questo apparecchio è stato concepito esclusivamente per un uso di tipo domestico.
- Questo apparecchio può essere usato da bambini da 8 anni in su e da persone con capacità fisiche, sensoriali o mentali ridotte o con esperienza e conoscenze insufficienti se sono supervisionati o se hanno ricevuto adeguata formazione in merito all'uso dell'apparecchio in modo sicuro e capendo i pericoli connessi. I bambini non devono giocare con l'apparecchio. Manutenzione e pulizia non devono essere effettuati dai bambini senza supervisione.
- Non toccare la macchina a piedi nudi o con le mani o i piedi bagnati o umidi.
- Non staccare la spina dalla presa della corrente tirando il cavo, bensì afferrando la spina.
- Non aprire il cassetto dei detersivi mentre la macchina è in funzione.
- Non toccare l'acqua di scarico, che può raggiungere temperature elevate.
- Non forzare in nessun caso l'oblò: potrebbe danneggiarsi il meccanismo di sicurezza che protegge da aperture accidentali.
- In caso di guasto, in nessun caso accedere ai meccanismi interni per tentare una riparazione.
- Controllare sempre che i bambini non si avvicinino alla macchina in funzione.
- Durante il lavaggio l'oblò tende a scaldarsi.
- Se dev'essere spostata, lavorare in due o tre persone con la massima attenzione. Mai da soli perché la macchina è molto pesante.
- Prima di introdurre la biancheria controlla che il cestello sia vuoto.

## Smaltimento

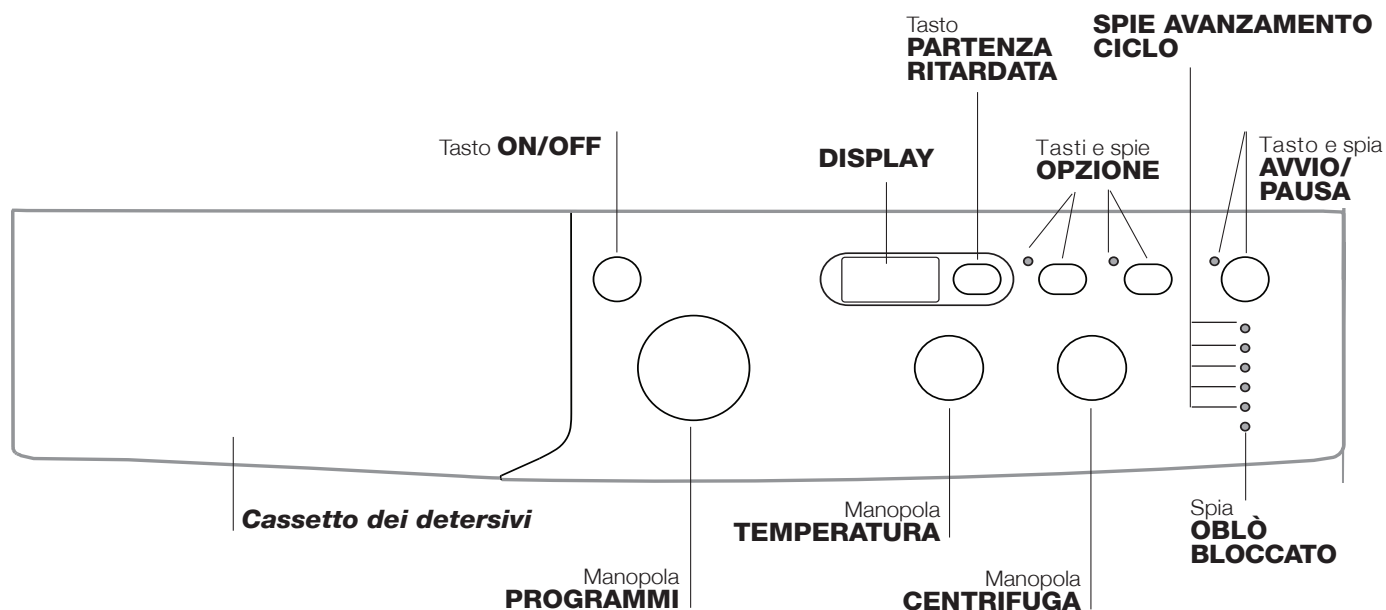
- Smaltimento del materiale di imballaggio: attenersi alle norme locali, così gli imballaggi potranno essere riutilizzati.
- La direttiva Europea 2012/19/EU sui rifiuti di apparecchiature elettriche ed elettroniche, prevede che gli elettrodomestici non debbano essere smaltiti nel normale flusso dei rifiuti solidi urbani. Gli apparecchi dismessi devono essere raccolti separatamente per ottimizzare il tasso di recupero

e riciclaggio dei materiali che li compongono ed impedire potenziali danni per la salute e l'ambiente. Il simbolo del cestino barrato è riportato su tutti i prodotti per ricordare gli obblighi di raccolta separata. Per ulteriori informazioni, sulla corretta dismissione degli elettrodomestici, i detentori potranno rivolgersi al servizio pubblico preposto o ai rivenditori.



# Descrizione della lavabiancheria e avviare un programma

## Pannello di controllo



**Cassetto dei detersivi:** per caricare detersivi e additivi (vedi "Detersivi e biancheria").

Tasto **ON/OFF:** per accendere e spegnere la lavabiancheria.

Manopola **PROGRAMMI:** per impostare i programmi. Durante il programma la manopola resterà ferma.

Tasti e spie **OPZIONE:** per selezionare le opzioni disponibili. La spia relativa all'opzione selezionata rimarrà accesa.

Manopola **CENTRIFUGA:** per impostare la centrifuga o escluderla (vedi "Personalizzazioni").

Manopola **TEMPERATURA:** per impostare la temperatura o il lavaggio a freddo (vedi "Personalizzazioni").


**DISPLAY:** per visualizzare la durata dei vari programmi a disposizione e a ciclo avviato il tempo residuo alla fine dello stesso; nel caso fosse stata impostata una PARTENZA RITARDATA, viene visualizzato il tempo mancante all'avvio del programma selezionato.

Tasto **PARTENZA RITARDATA** : premere per impostare una partenza ritardata del programma prescelto; il ritardo viene indicato nel display.

**SPIE AVANZAMENTO CICLO:** per seguire lo stato di avanzamento del programma di lavaggio. La spia accesa indica la fase in corso.

Spia **OBLÒ BLOCCATO:** per capire se l'oblò è apribile (vedi pagina a fianco).

Tasto e spia **AVVIO/PAUSA:** per avviare i programmi o interromperli momentaneamente.

**N.B.:** per mettere in pausa il lavaggio in corso, premere questo tasto, la spia relativa lampeggerà con colore arancione mentre quella della fase in corso sarà accesa fissa. Se la spia OBLÒ BLOCCATO  sarà spenta, si potrà aprire l'oblò.

Per far ripartire il lavaggio dal punto in cui è stato interrotto, premere nuovamente questo tasto.

### Modalità stand by

Questa lavatrice, in conformità alle nuove normative legate al risparmio energetico, è dotata di un sistema di autospegnimento (stand by) che entra in funzione dopo circa 30 minuti nel caso di non utilizzo. Premere brevemente il tasto ON-OFF e attendere che la macchina si riattivi.

Consumo in off-mode: 0,5 W

Consumo in Left-on: 8 W

## Spie

Le spie forniscono informazioni importanti. Ecco che cosa dicono:

### Spie fase in corso

Una volta selezionato e avviato il ciclo di lavaggio desiderato, le spie si accenderanno progressivamente per indicarne lo stato di avanzamento:

Lavaggio	● 
Risciacquo	● 
Centrifuga	● 
Scarico	● 
Fine lavaggio	● <b>END</b>

### Tasti opzione e relative spie

Selezionando un'opzione la spia relativa si illuminerà.

Se l'opzione selezionata non è compatibile con il programma impostato la spia relativa lampeggerà e l'opzione non verrà attivata.


Se l'opzione selezionata non è compatibile con un'altra precedentemente impostata, la spia relativa alla prima funzione selezionata lampeggerà e verrà attivata solo la seconda, la spia dell'opzione attivata si illuminerà

### Spia oblò bloccato

La spia accesa indica che l'oblò è bloccato per impedire l'apertura; per aprire l'oblò è necessario che la spia sia spenta (attendere 3 minuti circa).

Per aprire l'oblò mentre un ciclo è in corso premere il pulsante AVVIO/PAUSA; se la spia OBLÒ BLOCCATO è spenta sarà possibile aprire l'oblò.

## Avviare un programma

1. Accendere la lavabiancheria premendo il tasto ON/OFF. Tutte le spie si accenderanno per qualche secondo, poi si spegneranno e pulserà la spia AVVIO/PAUSA.
2. Caricare la biancheria e chiudere l'oblò.
3. Impostare con la manopola PROGRAMMI il programma desiderato.
4. Impostare la temperatura di lavaggio (vedi "Personalizzazioni").
5. Impostare la velocità di centrifuga (vedi "Personalizzazioni").
6. Versare detersivo e additivi (vedi "Detersivi e biancheria").
7. Selezionare le opzioni desiderate.
8. Avviare il programma premendo il tasto AVVIO/PAUSA e la spia relativa rimarrà accesa fissa di colore verde. Per annullare il ciclo impostato mettere la macchina in pausa premendo il tasto AVVIO/PAUSA e scegliere un nuovo ciclo.
9. Al termine del programma si illuminerà la spia **END**. Quando la spia OBLÒ BLOCCATO  si spegnerà sarà possibile aprire l'oblò. Estrarre la biancheria e lasciare l'oblò socchiuso per far asciugare il cestello. Spegnerne la lavabiancheria premendo il tasto ON/OFF.

# Programmi

## Tabella dei programmi

Programmi	Descrizione del Programma	Temp. max. (°C)	Velocità max. (giri al minuto)	Detersivi			Carico max. (Kg)	Umidità residua %	Consumo energia kWh	Acqua totale lt	Durata ciclo
				Prelavaggio	Lavaggio	Ammorbidente					
<b>Giornalieri (Daily)</b>											
1	Cotone con prelavaggio: bianchi estremamente sporchi.	90°	1200	●	●	●	4	53	1,46	44	140'
2	Cotone standard: (1): bianchi e colorati resistenti molto sporchi.	60° (Max. 90°)	1200	-	●	●	4	53	0,67	32	160'
3	Cotone standard: (2): bianchi poco sporchi e colori delicati.	40°	1200	-	●	●	4	53	0,60	46	150'
4	Sintetici: colori resistenti molto sporchi.	60°	800	-	●	●	2	42	0,67	26	95'
4	Sintetici (3): colori resistenti poco sporchi.	40°	800	-	●	●	2	42	0,42	27	85'
5	Mix colorati: bianchi poco sporchi e colori delicati.	40°	1200	-	●	●	4	53	0,65	32	85'
<b>Zona 20°</b>											
6	Cotone standard	20°	1200	-	●	●	4	-	-	-	160'
7	Mix light	20°	800	-	●	●	4	-	-	-	105'
8	20' refresh	20°	800	-	●	●	1,5	-	-	-	20'
<b>Speciali (Special)</b>											
9	Seta e tende: per capi in seta, viscosa, lingerie.	30°	0	-	●	●	1	-	-	-	50'
10	Lana: per lana, cachemire, ecc.	40°	800	-	●	●	1	-	-	-	55'
11	Jeans	40°	800	-	●	●	1,5	-	-	-	70'
<b>Sport</b>											
12	Sport Intensive	30°	600	-	●	●	1,5	-	-	-	80'
13	Sport Light	30°	600	-	●	●	1,5	-	-	-	55'
14	Sport Shoes	30°	600	-	●	●	Max. 2 paia	-	-	-	50'
<b>Parziali</b>											
	Risciacquo	-	1200	-	-	●	4	-	-	-	36'
	Centrifuga + Scarico	-	1200	-	-	-	4	-	-	-	16'

La durata del ciclo indicata sul display o sul libretto è una stima calcolata in base a condizioni standard. Il tempo effettivo può variare in base a numerosi fattori quali temperatura e pressione dell'acqua in ingresso, temperatura ambiente, quantità di detersivo, quantità e tipo di carico, bilanciamento del carico, opzioni aggiuntive selezionate.

**1) Programma di controllo secondo la direttiva 1061/2010: impostare il programma 2 con una temperatura di 60°C.**

Questo ciclo è adatto per pulire un carico di cotone normalmente sporco ed è il più efficiente in termini di consumo combinato di energia e di acqua, da usare su capi lavabili a 60 °C. La temperatura effettiva di lavaggio può differire da quella indicata.

**2) Programma di controllo secondo la direttiva 1061/2010: impostare il programma 3 con una temperatura di 40°C.**

Questo ciclo è adatto per pulire un carico di cotone normalmente sporco ed è il più efficiente in termini di consumo combinato di energia e di acqua, da usare su capi lavabili a 40 °C. La temperatura effettiva di lavaggio può differire da quella indicata.

Per tutti Test Institutes:

2) Programma cotone lungo: impostare il programma 3 con una temperatura di 40°C.

3) Programma sintetico lungo: impostare il programma 4 con una temperatura di 40°C.

**Sport Intensive** (programma 12) è studiato per lavare tessuti per abbigliamento sportivo (tute, calzoncini, ecc.) molto sporchi; per ottenere i migliori risultati è consigliabile non superare il carico massimo indicato nella "Tabella dei programmi".

**Sport Light** (programma 13) è studiato per lavare tessuti per abbigliamento sportivo (tute, calzoncini, ecc.) poco sporchi; per ottenere i migliori risultati è consigliabile non superare il carico massimo indicato nella "Tabella dei programmi". Si raccomanda di usare detersivo liquido, usare una dose adatta a mezzo carico.

**Sport Shoes** (programma 14) è studiato per lavare scarpe sportive; per ottenere i migliori risultati non lavarne più di 2 paia.

**I programmi 20°** (Zona 20°) offrono buone performance di lavaggio a basse temperature consentendo un minore utilizzo di energia elettrica con un risparmio economico e un beneficio per l'ambiente. I programmi 20° rispondono a tutte le esigenze:

**Cotone standard** (programma 6) ideale per carichi in cotone sporchi. Le buone performance anche a freddo, comparabili con un lavaggio a 40°, sono garantite da un'azione meccanica che lavora con variazione di velocità a picchi ripetuti e ravvicinati.

**Mix light** (programma 7) ideale per carichi misti (cotone e sintetici) mediamente sporchi. Le buone performance di lavaggio anche a freddo sono garantite da un'azione meccanica che lavora con variazione di velocità su intervalli medi e determinati.

**20' refresh** (programma 8) ciclo ideale per rinfrescare e lavare capi leggermente sporchi in pochi minuti.

Dura solo 20 minuti e fa così risparmiare tempo ed energia. E' possibile lavare insieme tessuti di diversa natura (esclusi lana e seta) con un carico massimo di 1,5 kg.

## Impostare la temperatura

Ruotando la manopola TEMPERATURA si imposta la temperatura di lavaggio (vedi *Tabella programmi*).

La temperatura si può ridurre sino al lavaggio a freddo (❄). La macchina impedirà automaticamente di impostare una temperatura maggiore a quella massima prevista per ogni programma.

! Eccezione: selezionando il programma 2 la temperatura può essere portata sino a 90°.

## Impostare la centrifuga

Ruotando la manopola CENTRIFUGA si imposta la velocità di centrifuga del programma selezionato.

Le velocità massime previste per i programmi sono:

Programmi	Velocità massima
Cotone	1200 giri al minuto
Sintetici	800 giri al minuto
Lana	800 giri al minuto
Seta	solo scarico

La velocità di centrifuga può essere ridotta, oppure esclusa selezionando il simbolo (⊘).

La macchina impedirà automaticamente di effettuare una centrifuga maggiore a quella massima prevista per ogni programma.

## Opzioni

Le varie opzioni di lavaggio previste dalla lavabiancheria permettono di ottenere la pulizia e il bianco desiderati.

Per attivare le opzioni:

1. premere il tasto relativo all'opzione desiderata;
2. l'accensione della spia relativa segnala che l'opzione è attiva.

Nota: Il lampeggio veloce della spia indica che l'opzione relativa non è selezionabile per il programma impostato.

## Partenza ritardata



per impostare la partenza ritardata del programma prescelto, premere il tasto relativo fino a raggiungere il tempo di ritardo desiderato. Quando tale opzione è attiva, sul display si illumina il simbolo (⌚). Per rimuovere la partenza ritardata premere il tasto fino a che sul display compare la scritta "OFF".

! E' attivo con tutti i programmi.


## EcoTime

Selezionando questa opzione la movimentazione meccanica, la temperatura e l'acqua sono ottimizzate per un carico ridotto di cotone e sintetici poco sporchi (vedi "*Tabella dei programmi*").

Con "EcoTime" puoi lavare in tempi ridotti, risparmiando acqua ed energia. Si consiglia di utilizzare una dose di detersivo liquido adatta alla quantità di carico.

! Non è attivabile sui programmi 1, 6, 7, 8, 9, 10, 11, 12, 13, 14, , .

## Energy Saver

L'opzione  Energy Saver risparmia energia non riscaldando l'acqua utilizzata per lavare i tuoi capi, un vantaggio sia per l'ambiente che per la tua bolletta dell'elettricità. Al contrario, un'azione meccanica intensificata ed un utilizzo ottimizzato dell'acqua assicurano ottimi risultati di lavaggio nello stesso tempo di un ciclo standard.

Per i migliori risultati di lavaggio, raccomandiamo l'utilizzo di detersivo liquido.

! Non è attivabile sui programmi 1, 6, 7, 8, 9, 10, 12, 13, 14, , .

# Detersivi e biancheria

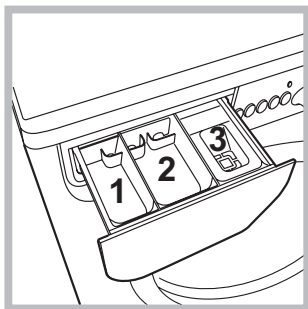
## Cassetto dei detersivi

Il buon risultato del lavaggio dipende anche dal corretto dosaggio del detersivo: eccedendo non si lava in modo più efficace e si contribuisce a incrostare le parti interne della lavabiancheria e a inquinare l'ambiente.

! Non usare detersivi per il lavaggio a mano, perché formano troppa schiuma.

! Usare detersivi in polvere per capi in cotone bianchi e per il prelavaggio e per lavaggi con temperatura superiore a 60°C.

! Seguire le indicazioni riportate sulla confezione di detersivo.



Estrarre il cassetto dei detersivi e inserire il detersivo o l'additivo come segue.

**vaschetta 1: Detersivo per prelavaggio (in polvere)**

**vaschetta 2: Detersivo per lavaggio (in polvere o liquido)**

Il detersivo liquido va versato solo prima dell'avvio.

**vaschetta 3: Additivi (ammorbidente, ecc.)**

L'ammorbidente non deve fuoriuscire dalla griglia.

## Preparare la biancheria

- Suddividere la biancheria secondo:
  - il tipo di tessuto / il simbolo sull'etichetta.
  - i colori: separare i capi colorati da quelli bianchi.
- Vuotare le tasche e controllare i bottoni.
- Non superare i valori indicati nella "Tabella dei Programmi" riferiti al peso della biancheria asciutta.

### Quanto pesa la biancheria?

- 1 lenzuolo 400-500 gr.
- 1 federa 150-200 gr.
- 1 tovaglia 400-500 gr.
- 1 accappatoio 900-1.200 gr.
- 1 asciugamano 150-250 gr.

## Capi particolari

**Seta:** utilizzare l'apposito programma **9** per lavare tutti i capi in seta. Si consiglia l'utilizzo di un detersivo specifico per capi delicati.

**Tende:** si raccomanda di piegarle e sistemarle dentro una federa o un sacchetto a rete. Utilizzare il programma **9**.

**Lana:** con il programma **10** è possibile lavare in lavatrice tutti i capi in lana, anche quelli con l'etichetta "solo lavaggio a mano" . Per ottenere i migliori risultati utilizzare un detersivo specifico e non superare 1 kg di bucato.

**Jeans:** rovesciare i capi prima del lavaggio ed utilizzare un detersivo liquido. Utilizzare il programma **11**.

## Sistema bilanciamento del carico

Prima di ogni centrifuga, per evitare vibrazioni eccessive e per distribuire il carico in modo uniforme, il cestello effettua delle rotazioni ad una velocità leggermente superiore a quella del lavaggio. Se al termine di ripetuti tentativi il carico non fosse ancora correttamente bilanciato la macchina effettua la centrifuga ad una velocità inferiore a quella prevista. In presenza di eccessivo sbilanciamento la lavabiancheria effettua la distribuzione anziché la centrifuga. Per favorire una migliore distribuzione del carico e il suo corretto bilanciamento si consiglia di mescolare capi grandi e piccoli.



Può accadere che la lavabiancheria non funzioni. Prima di telefonare all'Assistenza (vedi "Assistenza"), controllare che non si tratti di un problema facilmente risolvibile aiutandosi con il seguente elenco.

## Anomalie:

**La lavabiancheria non si accende.**

**Il ciclo di lavaggio non inizia.**

**La lavabiancheria non carica acqua (Sul display viene visualizzata la scritta H2O lampeggiante).**

**La lavabiancheria carica e scarica acqua di continuo.**

**La lavabiancheria non scarica o non centrifuga.**

**La lavabiancheria vibra molto durante la centrifuga.**

**La lavabiancheria perde acqua.**

**Le spie delle "opzioni" e la spia di "avvio/pausa" lampeggiano e una delle spie della "fase in corso" e di "oblò bloccato" si accendono fisse.**

**Si forma troppa schiuma.**

## Possibili cause / Soluzione:

- La spina non è inserita nella presa della corrente, o non abbastanza da fare contatto.
- In casa non c'è corrente.

- L'oblò non è ben chiuso.
- Il tasto ON/OFF non è stato premuto.
- Il tasto AVVIO/PAUSA non è stato premuto.
- Il rubinetto dell'acqua non è aperto.
- Si è impostato un ritardo sull'ora di avvio.

- Il tubo di alimentazione dell'acqua non è collegato al rubinetto.
- Il tubo è piegato.
- Il rubinetto dell'acqua non è aperto.
- In casa manca l'acqua.
- Non c'è sufficiente pressione.
- Il tasto AVVIO/PAUSA non è stato premuto.

- Il tubo di scarico non è installato fra 65 e 100 cm da terra (vedi "Installazione").
- L'estremità del tubo di scarico è immersa nell'acqua (vedi "Installazione").
- Lo scarico a muro non ha lo sfiato d'aria.

Se dopo queste verifiche il problema non si risolve, chiudere il rubinetto dell'acqua, spegnere la lavabiancheria e chiamare l'Assistenza. Se l'abitazione si trova agli ultimi piani di un edificio, è possibile che si verifichino fenomeni di sifonaggio, per cui la lavabiancheria carica e scarica acqua di continuo. Per eliminare l'inconveniente sono disponibili in commercio apposite valvole anti-sifonaggio.

- Il programma non prevede lo scarico: con alcuni programmi occorre avviarlo manualmente.
- Il tubo di scarico è piegato (vedi "Installazione").
- La condotta di scarico è ostruita.

- Il cestello, al momento dell'installazione, non è stato sbloccato correttamente (vedi "Installazione").
- La lavabiancheria non è in piano (vedi "Installazione").
- La lavabiancheria è stretta tra mobili e muro (vedi "Installazione").

- Il tubo di alimentazione dell'acqua non è ben avvitato (vedi "Installazione").
- Il cassetto dei detersivi è intasato (per pulirlo vedi "Manutenzione e cura").
- Il tubo di scarico non è fissato bene (vedi "Installazione").

- Spegnere la macchina e togliere la spina dalla presa, attendere circa 1 minuto quindi riaccenderla.  
Se l'anomalia persiste, chiamare l'Assistenza.

- Il detersivo non è specifico per lavabiancheria (deve esserci la dicitura "per lavatrice", "a mano e in lavatrice", o simili).
- Il dosaggio è stato eccessivo.

# Assistenza

## Prima di contattare l'Assistenza:

- Verificare se l'anomalia può essere risolta da soli (vedi "Anomalie e rimedi").
- Riavviare il programma per controllare se l'inconveniente è stato ovviato;
- In caso negativo, contattare il Numero Unico 199.199.199\*.

! Non ricorrere mai a tecnici non autorizzati.

## Comunicare:

- il tipo di anomalia;
- il modello della macchina (Mod.);
- il numero di serie (S/N).

Queste informazioni si trovano sulla targhetta applicata nella parte posteriore della lavabiancheria e nella parte anteriore aprendo l'oblò.

## Assistenza Attiva 7 giorni su 7



In caso di necessità d'intervento chiamare il Numero Unico Nazionale 199.199.199\*. Un operatore sarà a completa disposizione per fissare un appuntamento con il Centro Assistenza Tecnico Autorizzato più vicino al luogo da cui si chiama. È attivo 7 giorni su 7, sabato e domenica compresi, e non lascia mai inascoltata una richiesta.

\* Al costo di 14,25 centesimi di Euro al minuto (iva inclusa) dal Lun. al Ven. dalle 08:00 alle 18:30, il Sab. dalle 08:00 alle 13:00 e di 5,58 centesimi di Euro al minuto (iva inclusa) dal Lun. al Ven. dalle 18:30 alle 08:00, il Sab. dalle 13:00 alle 08:00 e i giorni festivi, per chi chiama da telefono fisso. Per chi chiama da radiomobile le tariffe sono legate al piano tariffario dell'operatore telefonico utilizzato. Le suddette tariffe potrebbero essere soggette a variazione da parte dell'operatore telefonico; per maggiori informazioni consultare il sito [www.aristonchannel.com](http://www.aristonchannel.com).

## FICHE TECNICA - REGOLAMENTO DELEGATO (UE) N. 1061/2010 DELLA COMMISSIONE

Marchio	INDESIT
Modello	IWUD 41252 C ECO EU
Capacità in kg di cotone	4,0
Classe di efficienza energetica su una scala da A+++ (basso consumo) a G (alto consumo)	A++
Consumo annuo di energia in kWh <sup>1)</sup>	124,0
Consumo di energia del programma cotone standard a 60°C a pieno carico in kWh <sup>2)</sup>	0,67
Consumo di energia del programma cotone standard a 60° carico parziale in kWh <sup>2)</sup>	0,445
Consumo di energia del programma cotone standard a 40° a carico parziale in kWh <sup>2)</sup>	0,385
Consumo di potenza in modo spento in W	0,5
Consumo di potenza in modo lasciato acceso in W	8,0
Consumo di acqua in litri/anno <sup>3)</sup>	5720
Classe di efficacia di centrifuga su una scala da G (efficacia minima) ad A (efficacia massima)	B
Velocità massima di centrifuga raggiunta <sup>4)</sup>	1200
Umidità residua <sup>5)</sup>	53%
Durata del programma cotone standard a 60°C a pieno carico in minuti	160
Durata del programma cotone standard a 60°C a carico parziale in minuti	110
Durata del programma cotone standard a 40°C a carico parziale in minuti	105
Durata del modo lasciato acceso in minuti	30
Rumore in dB(A) re 1 pW in lavaggio <sup>6)</sup>	59
Rumore in dB(A) re 1 pW in centrifuga <sup>6)</sup>	77

<sup>1)</sup> Basato su 220 cicli di lavaggio cotone standard a 60°C e a 40°C a carico pieno e parziale e sul consumo nei modi di spento e lasciato acceso. Il consumo effettivo dipende dalla modalità di utilizzo della lavabiancheria.

<sup>2)</sup> Il "cotone standard a 60°C" a carico pieno e parziale ed il "cotone standard a 40°C" a carico parziale sono i programmi di lavaggio standard ai quali fanno riferimento le informazioni sull'etichetta e sulla scheda, questi programmi sono adatti per lavare cotone normalmente sporco e sono i programmi più efficienti in termini di consumo combinato di energia e acqua. Il carico parziale è la metà del carico nominale.

<sup>3)</sup> Basato su 220 cicli di lavaggio cotone standard a 60°C e a 40°C a carico pieno e parziale. Il consumo effettivo dipende dalla modalità di utilizzo dell'apparecchio.

<sup>4)</sup> Valore minimo fra il programma cotone standard 60°C a pieno e metà carico e il cotone standard 40°C a metà carico.

<sup>5)</sup> Valore massimo fra il programma cotone standard 60°C a pieno e metà carico e il cotone standard 40°C a metà carico.

<sup>6)</sup> Misurato sul programma cotone standard a 60°C pieno carico.

PL

Polski

IWUD 41252

## Spis treści

### Instalacja, 26-27

Rozpakowanie i wypoziomowanie  
Podłączenia hydrauliczne i elektryczne  
Pierwszy cykl prania  
Dane techniczne

### Utrzymanie i konserwacja, 28

Odlączenie wody i prądu elektrycznego  
Czyszczenie pralki  
Czyszczenie szufladki na środki piorące  
Konserwacja okrągłych drzwiczek i bębna  
Czyszczenie pompy  
Kontrola przewodu doprowadzającego wodę

### Zalecenia i środki ostrożności, 29

Ogólne zasady bezpieczeństwa  
Utylizacja

### Opis pralki i uruchamianie programu, 30-31

Panel sterowania  
Kontrolki  
Uruchamianie programu

### Programy, 32

Tabela programów

### Personalizacja, 33

Ustawianie temperatury  
Ustawianie wirowania  
Funkcje

### Środki piorące i bielizna, 34

Szufladka na środki piorące  
Przygotowanie bielizny  
Tkaniny wymagające szczególnego traktowania  
System równoważenia ładunku

### Nieprawidłowości w działaniu i sposoby ich usuwania, 35

### Serwis Techniczny, 36

# Instalacja

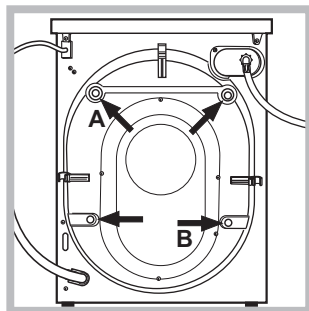
PL

! Należy zachować niniejszą książeczkę, aby móc z niej skorzystać w każdej chwili. W przypadku sprzedaży, odstąpienia lub przeniesienia pralki w inne miejsce należy zadbać o przekazanie instrukcji wraz z maszyną, aby nowy właściciel mógł zapoznać się z działaniem urządzenia i z dotyczącymi go ostrzeżeniami.  
! Należy uważnie przeczytać instrukcję obsługi: zawiera ona ważne informacje dotyczące instalacji oraz właściwego i bezpiecznego użytkowania pralki.

## Rozpakowanie i wypoziomowanie

### Rozpakowanie

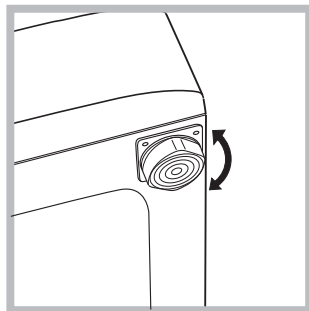
1. Rozpakować pralkę.
2. Sprawdzić, czy nie doznała ona uszkodzeń w czasie transportu. W przypadku stwierdzenia uszkodzeń nie podłączać jej i skontaktować się ze sprzedawcą.
3. Odkręcić 4 śruby zabezpieczające maszynę na czas transportu oraz zdjąć gumowy element z podkładką, znajdujący się w tylnej części pralki (patrz rysunek).



4. Zatkać otwory przy pomocy plastikowych zaślepek, znajdujących się w wyposażeniu maszyny.
5. Zachować wszystkie części: w razie konieczności przewiezienia pralki w inne miejsce, powinny one zostać ponownie zamontowane.  
! Części opakowania nie są zabawkami dla dzieci.  
! Za każdym razem, kiedy urządzenie ma być przechylane lub przesuwane, aby zachować integralność elementów wewnętrznych należy ponownie zamontować śruby, gumową podkładkę oraz płytkę odległościową w pozycjach A i B. Po przechyleniu lub przesunięciu urządzenia pamiętać o ponownym zdemontowaniu tych części.

### Poziomowanie

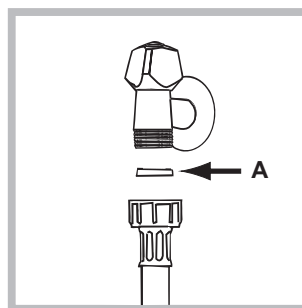
1. Ustawić pralkę na płaskiej i twardej podłodze, nie opierając jej o ściany, meble itp.
2. Jeśli podłoga nie jest idealnie pozioma, należy skompensować nierówności, odkręcając lub dokręcając przednie nóżki (patrz rysunek); kąt nachylenia, zmierzony na górnym blacie pralki nie powinien przekraczać 2°.



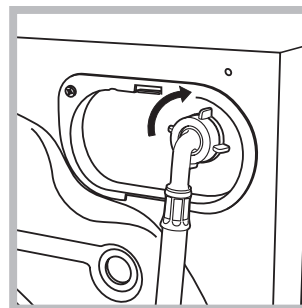
Staranne wypoziomowanie pralki zapewnia jej stabilność i zapobiega wibracjom, hałasowi oraz przesuwaniu się maszyny w czasie pracy. W razie ustawienia na dywanie lub wykładzinie dywanowej należy tak wyregulować nóżki, aby pod pralką pozostawała wolna przestrzeń niezbędna dla wentylacji.

## Podłączenia hydrauliczne i elektryczne

### Podłączenie przewodu doprowadzającego wodę



1. Wsunąć uszczelkę A do końcówki rury pobierania wody i przykręcić ją do kurka zimnej wody o gwintowanym otworze 3/4" (zobacz rysunek). Przed podłączeniem spuszczać wodę do momentu, aż stanie się ona całkowicie przezroczysta.



2. Podłączyć do maszyny przewód doprowadzający wodę, przykręcając go do odpowiedniego otworu dopływowego, znajdującego się w tylnej części pralki, z prawej strony u góry (patrz rysunek).

3. Zwrócić uwagę, aby na przewodzie nie było zagięć ani zwężeń.

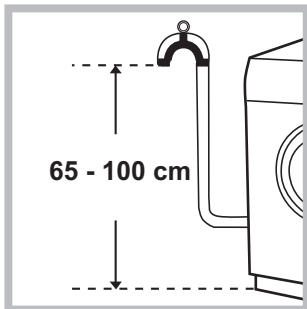
! Ciśnienie wody w kurku powinno mieścić się w przedziale podanym w tabeli Danych technicznych (patrz strona obok).

! Jeśli długość przewodu doprowadzającego wodę jest niewystarczająca, należy zwrócić się do specjalistycznego sklepu lub do autoryzowanego technika.

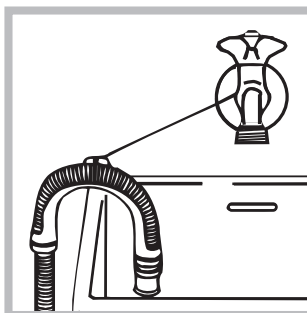
! Nigdy nie instalować już używanych przewodów.

! Stosować przewody znajdujące się w wyposażeniu maszyny.

## Podłączenie przewodu odpływowego



Podłączyć przewód odpływowy, nie zginając go, do rury ściekowej lub do otworu odpływowego w ścianie, które powinny znajdować się na wysokości od 65 do 100 cm od podłogi;



ewentualnie oprzeć go na brzegu zlewu lub wanny, przymocowując do kranu prowadnik, znajdujący się w wyposażeniu (*patrz rysunek*). Wolny koniec przewodu odpływowego nie powinien być zanurzony w wodzie.

! Odradza się stosowanie przewodów przedłużających; jeśli to konieczne, przewód przedłużający powinien mieć taką samą średnicę jak oryginalny, a jego długość nie może przekraczać 150 cm.

## Podłączenie elektryczne

Przed włożeniem wtyczki do gniazdka elektrycznego należy się upewnić, czy:

- gniazdko posiada uziemienie i jest zgodne z obowiązującymi przepisami;
- gniazdko jest w stanie wytrzymać maksymalne obciążenie mocy maszyny, wskazane w tabeli Danych technicznych (*patrz obok*);
- napięcie zasilania mieści się w wartościach wskazanych w tabeli Danych technicznych (*patrz obok*);
- gniazdko pasuje do wtyczki pralki. W przeciwnym razie należy wymienić gniazdko lub wtyczkę.

! Nie należy instalować pralki na otwartym powietrzu, nawet w osłoniętym miejscu, gdyż wystawienie urządzenia na działanie deszczu i burz jest bardzo niebezpieczne.

! Po zainstalowaniu pralki gniazdko elektryczne powinno być łatwo dostępne.

! Nie używać przedłużaczy ani rozgałęźników.

! Przewód nie powinien być pozginany ani przygnieciony.

! Przewód zasilania elektrycznego może być wymieniany wyłącznie przez autoryzowanych techników.

Uwaga! Producent nie ponosi żadnej odpowiedzialności w przypadku nieprzestrzeżenia powyższych zasad.

## Pierwszy cykl prania

Po zainstalowaniu pralki, przed przystąpieniem do jej użytkowania, należy wykonać jeden cykl prania ze środkiem piorącym, ale bez wsadu, nastawiając program 2.

### Dane techniczne

<b>Model</b>	IWUD 41252
<b>Wymiary</b>	szerokość cm 59,5 wysokość cm 85 głębokość cm 33
<b>Pojemność</b>	od 1 do 4 kg
<b>Dane prądu elektrycznego</b>	dane techniczne umieszczone są na tabliczce na maszynie
<b>Dane sieci wodociągowej</b>	Maksymalne ciśnienie 1 MPa (10 barów) ciśnienie minimalne 0,05 MPa (0,5 barów) pojemność bębna 27 litrów
<b>Szybkość wirowania</b>	do 1200 obrotów na minutę
<b>Programy testowe zgodnie z dyrektywami 1061/2010 i 1015/2010</b>	Program 2: Bawełna 60°C. Program 3: Bawełna 40°C.
 	Urządzenie to zostało wyprodukowane zgodnie z następującymi przepisami CE: - 2004/108/CE (o Kompatybilności Elektromagnetycznej) - 2012/19/EU - 2006/95/CE (o Niskim Napięciu)



# Utrzymanie i konserwacja

PL

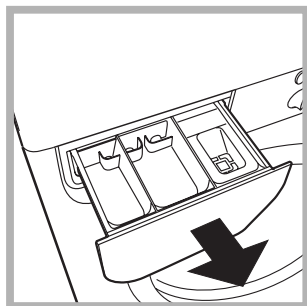
## Odłączenie wody i prądu elektrycznego

- Zamknąć kurek dopływu wody po każdym praniu. W ten sposób zmniejsza się zużycie instalacji hydraulicznej pralki oraz eliminuje się niebezpieczeństwo wycieków.
- Przed przystąpieniem do czyszczenia pralki oraz do czynności konserwacyjnych wyjąć wtyczkę z gniazdka.

## Czyszczenie pralki

Obudowę zewnętrzną i gumowe części pralki można myć ściereczką zmoczoną w letniej wodzie z mydłem. Nie stosować rozpuszczalników ani ściernych środków czyszczących.

## Czyszczenie szufladki na środki piorące



Wysunąć szufladkę, unosząc ją lekko ku górze i wyciągając na zewnątrz (patrz rysunek). Wypłukać szufladkę pod bieżącą wodą. Czynność tę należy wykonywać stosunkowo często.

## Konserwacja okrągłych drzwiczek i bębna

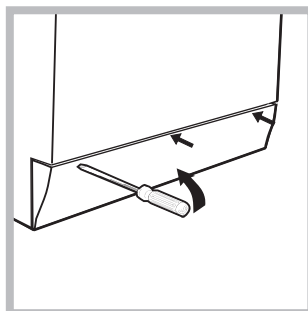
- Drzwiczki pralki należy zawsze pozostawiać uchylone, aby zapobiec tworzeniu się nieprzyjemnych zapachów.

## Czyszczenie pompy

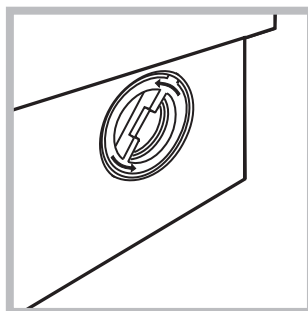
Pralka wyposażona jest w pompę samoczyszczącą, która nie wymaga zabiegów konserwacyjnych. Może się jednak zdarzyć, że drobne przedmioty (monety, guziki) wpadną do komory wstępnej zabezpieczającej pompę, która znajduje się w jej dolnej części.

! Należy się upewnić, że cykl prania został zakończony i wyjąć wtyczkę z gniazdka.

Aby dostać się do komory wstępnej:



1. zdjąć panel pokrywy z przedniej strony pralki przy pomocy śrubokrętu (patrz rysunek);



2. odkręcić pokrywę, obracając ją w kierunku przeciwnym do ruchu wskazówek zegara (patrz rysunek); wypłynięcie niewielkiej ilości wody jest normalnym zjawiskiem;

3. dokładnie wyczyścić wnętrze;
4. ponownie przykręcić pokrywę;
5. ponownie założyć panel upewniwszy się, przed dociśnięciem go do maszyny, czy zatrzaski zostały umieszczone w odpowiednich otworach.

## Kontrola przewodu doprowadzającego wodę

Przynajmniej raz w roku należy sprawdzić przewód doprowadzający wodę. Jeśli widoczne są na nim pęknięcia i rysy, należy go wymienić: w trakcie prania duże ciśnienie może bowiem spowodować jego nagłe zerwanie.

! Nigdy nie instalować już używanych przewodów.

! Pralka została zaprojektowana i wyprodukowana zgodnie z międzynarodowymi normami bezpieczeństwa. Niniejsze ostrzeżenia zostały tu zamieszczone ze względów bezpieczeństwa i należy je uważnie przeczytać.

## Ogólne zasady bezpieczeństwa

- Urządzenie to zostało zaprojektowane wyłącznie do użytkowania w warunkach domowych.
- Z niniejszego urządzenia mogą korzystać dzieci powyżej 8 roku życia i osoby o ograniczonych zdolnościach fizycznych, zmysłowych bądź umysłowych, jak również osoby nieposiadające doświadczenia lub znajomości urządzenia, jeśli znajdują się one pod nadzorem innych osób lub jeśli zostały pouczone na temat bezpiecznego sposobu użycia urządzenia oraz zdają sobie sprawę ze związanych z nim zagrożeń. Dzieci nie powinny bawić się urządzeniem. Prace związane z czyszczeniem i konserwacją nie mogą być wykonywane przez dzieci, jeśli nie są one nadzorowane.
- Nie dotykać pralki, stojąc przy niej boso lub mając mokre lub wilgotne ręce albo stopy.
- Nie wyjmować wtyczki z gniazdka, ciągnąc za kabel, lecz trzymając za wtyczkę.
- W trakcie pracy maszyny nie otwierać szufladki na środki piorące.
- Nie dotykać odprowadzanej wody, gdyż może ona osiągać wysokie temperatury.
- W żadnym wypadku nie otwierać okrągłych drzwiczek pralki na siłę: grozi to uszkodzeniem mechanizmu zabezpieczającego drzwiczki przed przypadkowym otwarciem.
- W razie wystąpienia usterki nie należy w żadnym wypadku próbować dostać się do wewnętrznych części pralki z zamiarem samodzielnego dokonania naprawy.
- Zawsze uważać, aby dzieci nie zbliżały się do pracującej pralki.
- W czasie prania okrągłe drzwiczki pralki nagrzewają się.
- Jeśli trzeba przenieść pralkę w inne miejsce, należy to robić bardzo ostrożnie, w dwie lub trzy osoby. Nigdy nie przenosić pralki samodzielnie, gdyż jest ona bardzo ciężka.
- Przed włożeniem bielizny sprawdzić, czy bęben jest pusty.

## Utylizacja

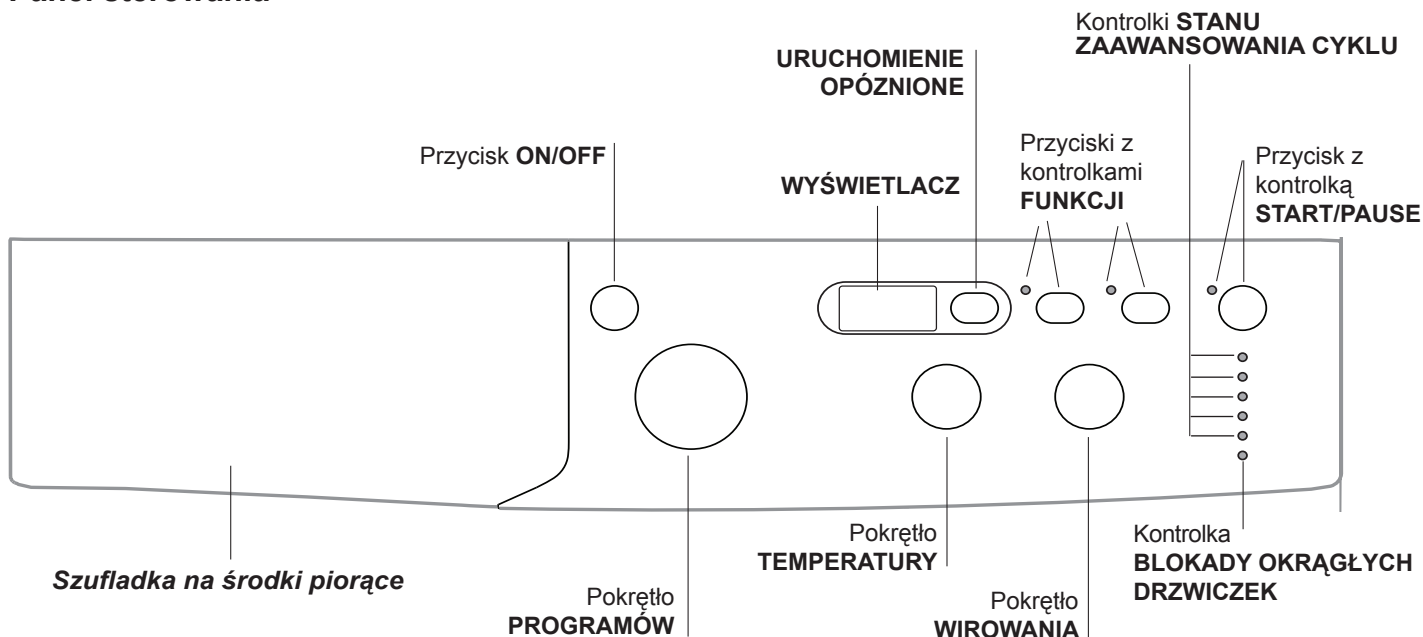
- Utylizacja opakowania: stosować się do lokalnych przepisów, dzięki temu opakowanie będzie mogło zostać ponownie wykorzystane.
- Europejska Dyrektywa 2012/19/EU dotycząca Zużytych Elektrycznych i Elektronicznych Urządzeń zakłada zakaz pozbywania się starych urządzeń domowego użytku jako nieposortowanych śmieci komunalnych. Zużyte urządzenia muszą być osobno zbierane i sortowane w celu zoptymalizowania odzyskania oraz ponownego przetworzenia pewnych komponentów i materiałów. Pozwala to ograniczyć zanieczyszczenie środowiska i pozytywnie wpływa na ludzkie zdrowie.

Przekreślony symbol „kosza” umieszczony na produkcie przypomina klientowi o obowiązku specjalnego sortowania. Konsumenci powinni kontaktować się z władzami lokalnymi lub sprzedawcą w celu uzyskania informacji dotyczących postępowania z ich zużytymi urządzeniami gospodarstwa domowego.



# Opis pralki i uruchamianie programu

## Panel sterowania



**Szufladka na środki piorące:** do dozowania środków piorących i dodatków (patrz „Środki piorące i bielizna”).

Przycisk **ON/OFF**: do włączania i wyłączania pralki.


Pokrętko **PROGRAMÓW**: do ustawiania programów. W czasie trwania programu pokrętko pozostaje nieruchome.

Przyciski z kontrolkami **FUNKCJI**: do wyboru dostępnych funkcji. Kontrolka wybranej funkcji pozostaje zaświecona.

Pokrętko **WIROWANIA**: do nastawienia lub wyłączenia wirowania (patrz „Personalizacja”).

Pokrętko **TEMPERATURY**: do regulacji temperatury prania lub do nastawienia prania w zimnej wodzie (patrz „Personalizacja”).


**WYŚWIETLACZ**: aby wyświetlić czas trwania poszczególnych dostępnych programów i po starcie, czas, jaki pozostał do zakończenia programu; w przypadku, gdy została ustawiona funkcja **URUCHOMIENIE OPÓZNIONE**, wyświetlony zostanie pozostały czas od momentu startu wybranego programu.

Przycisk **URUCHOMIENIE OPÓZNIONE** : nacisnąć w celu ustawienia opóźnionego uruchomienia wybranego programu. Opóźnienie wyświetlone zostanie na ekranie.

Kontrolki **STANU ZAAWANSOWANIA CYKLU**: umożliwiają kontrolę stanu zaawansowania programu prania. Zapalona kontrolka wskazuje bieżącą fazę.

Kontrolka **BLOKADY OKRĄGLYCH DRZWICZEK**: pozwala sprawdzić czy możliwe jest otwarcie okrągłych drzwiczek (patrz strona obok).

Przycisk z kontrolką **START/PAUSE**: do uruchamiania programów lub ich chwilowego przerywania.

**N.B.:** aby przerwać wykonywane pranie, należy nacisnąć ten przycisk, jego kontrolka zacznie pulsować na pomarańczowo, natomiast kontrolka bieżącej fazy będzie świecić ciągłym światłem. Jeśli kontrolka **BLOKADY OKRĄGLYCH DRZWICZEK**  jest wyłączona, można otworzyć drzwiczki pralki.

W celu ponownego uruchomienia prania od momentu, w którym zostało ono przerwane, należy ponownie nacisnąć ten przycisk.

### Funkcja stand by

Pralka ta, w myśl nowych norm europejskich związanych z oszczędnością elektryczną, posiada system auto wyłączenia (stand by), który włącza się po 30 minutach nie użytkowania. Ponownie lekko wcisnąć przycisk **ON-OFF** i poczekać, aż pralka ponownie włączy się.

Zużycie w trybie wyłączenia: 0,5 W






Zużycie w trybie czuwania: 8 W

## Kontrolki

Kontrolki dostarczają ważnych informacji. Oto co sygnalizują:

### Kontrolki bieżącej fazy prania:

Po wybraniu i uruchomieniu żadanego cyklu prania kontrolki będą się kolejno zapalać, wskazując stan zaawansowania programu:

Pranie	
Płukanie	
Wirowanie	
Odprowadzanie wody	
Koniec prania	

### Przyciski funkcyjne i ich kontrolki


Po dokonaniu wyboru funkcji jej kontrolka zaświeci się. W przypadku wyboru funkcji niezgodnej z ustawionym programem jej kontrolka zacznie pulsować i funkcja nie włączy się.

Jeśli wybrana funkcja nie jest zgodna z inną, ustawioną uprzednio, kontrolka odpowiadająca pierwszej funkcji będzie pulsowała i uruchomiona zostanie jedynie druga funkcja a kontrolka uruchomionej funkcji zaświeci się.

### Kontrolka blokady okrągłych drzwiczek

Włączona kontrolka wskazuje, że drzwiczki zostały zablokowane w celu uniemożliwienia ich otwarcia; aby można było otworzyć drzwiczki, kontrolka musi być wyłączona; (odczekać około 3 minuty). Aby otworzyć drzwiczki w trakcie wykonywania cyklu należy nacisnąć przycisk START/PAUSE; jeśli kontrolka BLOKADY OKRĄGŁYCH DRZWICZEK jest wyłączona, można otworzyć drzwiczki.

## Uruchamianie programu

1. Włączyć pralkę, naciskając przycisk ON/OFF. Wszystkie kontrolki zapalą się na kilka sekund, następnie wyłączą się i zacznie pulsować kontrolka START/PAUSE.
2. Załadować bieliznę i zamknąć drzwiczki pralki.
3. Ustawić żądany program przy pomocy pokrętła PROGRAMÓW.
4. Ustawić temperaturę prania (*patrz „Personalizacja”*).
5. Ustawić szybkość wirowania (*patrz „Personalizacja”*).
6. Wsypać środek piorący i dodatki (*patrz „Środki piorące i bielizna”*).
7. Wybrać żądane funkcje.
8. Uruchomić program naciskając przycisk START/PAUSE, kontrolka programu będzie świecić ciągłym światłem w kolorze zielonym. Aby anulować ustawiony cykl, należy chwilowo zatrzymać urządzenie, naciskając przycisk START/PAUSE, i wybrać nowy cykl.
9. Po zakończeniu programu zapali się kontrolka END. Po zgaśnięciu kontrolki BLOKADY OKRĄGŁYCH DRZWICZEK  można otworzyć drzwiczki. Wyjąć bieliznę i pozostawić drzwiczki pralki uchylone, aby bęben mógł wyschnąć. Wyłączyć pralkę, naciskając przycisk ON/OFF.

# Programy

PL

Tabela programów

Programy	Opis programu	Temp. max (°C)	Prędkość max (obrotów na minutę)	Środki piorące			Ładunek max (kg)	Wilgotność resztkowa %	Zużycie energii kWh	Woda łącznie lt	Czas trwania cyklu
				Pranie Wstępne	Pranie	Wybielacz					
<b>Codzienne</b>											
1	<b>Bawełna z praniem Wstępnym:</b> bielizna biała silnie zabrudzona.	90°	1200	●	●	●	4	53	1,46	44	140'
2	<b>Bawełna 60°C (1):</b> tkaniny białe i kolorowe, wytrzymałe, mocno zabrudzone.	60° (Max. 90°)	1200	-	●	●	4	53	0,67	32	160'
3	<b>Bawełna 40°C (2):</b> tkaniny białe i kolorowe, delikatne, lekko zabrudzone.	40°	1200	-	●	●	4	53	0,60	46	150'
4	<b>Białe syntetyki:</b> tkaniny kolorowe, wytrzymałe, mocno zabrudzone.	60°	800	-	●	●	2	42	0,67	26	95'
4	<b>Białe syntetyki (3):</b> tkaniny kolorowe, wytrzymałe, lekko zabrudzone.	40°	800	-	●	●	2	42	0,42	27	85'
5	<b>Kolorowa bawełna:</b> tkaniny białe lekko zabrudzone i delikatne kolorowe.	40°	1200	-	●	●	4	53	0,65	32	85'
<b>20° Zone</b>											
6	<b>Bawełna 20°C:</b> tkaniny białe i kolorowe, delikatne, lekko zabrudzone.	20°	1200	-	●	●	4	-	-	-	160'
7	<b>Mix Light</b>	20°	800	-	●	●	4	-	-	-	105'
8	<b>20' odświeżanie</b>	20°	800	-	●	●	1,5	-	-	-	20'
<b>Specjalne</b>											
9	<b>Jedwab/Firanki:</b> do jedwabiu, wiskozy, bielizny.	30°	0	-	●	●	1	-	-	-	50'
10	<b>Wełna:</b> do wełny, kaszmiru, itp.	40°	800	-	●	●	1	-	-	-	55'
11	<b>Jeans</b>	40°	800	-	●	●	1,5	-	-	-	70'
<b>Sportowe</b>											
12	<b>Sport Intensive</b>	30°	600	-	●	●	1,5	-	-	-	80'
13	<b>Sport Light</b>	30°	600	-	●	●	1,5	-	-	-	55'
14	<b>Specjalny Obuwie</b>	30°	600	-	●	●	Maks. 2 pary.	-	-	-	50'
<b>Programy częściowe</b>											
	Płukanie	-	1200	-	-	●	4	-	-	-	36'
	Wirowanie + Odprowadzenie wody	-	1200	-	-	-	4	-	-	-	16'

Czas trwania cyklu wskazany na wyświetlaczu lub w instrukcji jest czasem oszacowanym dla standardowych warunków. Rzeczywisty czas trwania cyklu może się zmieniać w zależności od wielu czynników, takich jak temperatura i ciśnienie wody na wlocie, temperatura otoczenia, ilość detergentu, ilość i rodzaj pranej odzieży, wyważenie ładunku, wybrane opcje dodatkowe.

1) Program kontrolny zgodny z normą 1061/2010: ustawić program 2, wybierając temperaturę 60°C.

Ten cykl jest odpowiedni do prania średnio zabrudzonej odzieży bawełnianej i jest najbardziej wydajnym cyklem pod względem łącznego zużycia energii elektrycznej i wody; należy go używać do odzieży przeznaczonej do prania w 60°C. Rzeczywista temperatura prania może się różnić od podanej.

2) Program kontrolny zgodny z normą 1061/2010: ustawić program 3, wybierając temperaturę 40°C.

Ten cykl jest odpowiedni do prania średnio zabrudzonej odzieży bawełnianej i jest najbardziej wydajnym cyklem pod względem łącznego zużycia energii elektrycznej i wody; należy go używać do odzieży przeznaczonej do prania w 40°C. Rzeczywista temperatura prania może się różnić od podanej.

Dla wszystkich Instytucji homologacyjnych:

2) Program bawełna, długi: ustawić program 3, wybierając temperaturę 40°C.

3) Program SYNTETYCZNE, długi: ustawić program 4, wybierając temperaturę 40°C.

**Sport Intensive** (program 12): został opracowany do prania tkanin używanych do produkcji odzieży sportowej (dresów, krótkich spodenek itp.) o dużym stopniu zabrudzenia; dla uzyskania najlepszych rezultatów prania zaleca się nie przekraczać maksymalnego wsadu określonego w „Tabela programów”.

**Sport Light** (program 13): został opracowany do prania tkanin używanych do produkcji odzieży sportowej (dresów, krótkich spodenek itp.) o niewielkim stopniu zabrudzenia; dla uzyskania najlepszych rezultatów prania zaleca się nie przekraczać maksymalnego wsadu określonego w „Tabela programów”. Zaleca się stosowanie płynnych środków do prania, w ilości jak dla połowy wsadu.

**Specjalny Obuwie** (program 14): został opracowany do prania obuwia sportowego; dla uzyskania najlepszych rezultatów nie należy prac jednocześnie więcej niż 2 par obuwia.

**Programy 20°** (20° Zone) dają dobre rezultaty prania w niskich temperaturach, pozwalając na zmniejszenie zużycia energii elektrycznej, z korzyścią dla finansów domowych oraz środowiska. Programy 20° spełniają wszystkie wymagania:


**Bawełna 20°C** (program 6) idealny do zabrudzonej bielizny bawełnianej. Dobre wyniki prania w zimnej wodzie, porównywalne z praniem w 40°, są gwarantowane dzięki działaniu mechanicznemu, wykonywanemu ze zmienną prędkością, której maksymalne wartości powtarzają się w krótkich odstępach czasu.

**Mix Light** (program 7) idealny do normalnie zabrudzonej bielizny mieszanej (tkaniny bawełniane i syntetyczne). Dobre wyniki prania, również w zimnej wodzie, są gwarantowane dzięki działaniu mechanicznemu, wykonywanemu ze zmienną prędkością w dłuższych i określonych odstępach czasu.

**20' odświeżanie** (program 8) cykl idealny do odświeżania i prania lekko zabrudzonej odzieży w kilka minut. Trwa tylko 20 minut, dzięki czemu oszczędza się energię elektryczną i czas. Pozwala prac razem tkaniny różnego rodzaju (z wyjątkiem wełny i jedwabiu), przy maksymalnym ładunku 1,5 kg.

## Ustawianie temperatury

Obracając pokrętkiem TEMPERATURA ustawia się temperaturę prania (patrz *Tabela programów*).

Temperaturę można zmniejszać, aż do prania w zimnej wodzie .

Pralka automatycznie uniemożliwi ustawienie temperatury wyższej od maksymalnej temperatury przewidzianej dla danego programu.

! Wyjątek: wybierając program 2 temperaturę można podnieść aż do 90°.

## Ustawianie wirowania

Obracając pokrętkiem WIROWANIE ustawia się prędkość wirowania dla wybranego programu.

Maksymalne prędkości przewidziane dla poszczególnych programów są następujące:

Programy	Prędkość maksymalna
Bawełna	1200 obrotów na minutę
Tkaniny syntetyczne	800 obrotów na minutę
Wełna	800 obrotów na minutę
Jedwab	tylko odprowadzenie wody

Prędkość wirowania może zostać zmniejszona, można też całkowicie wyłączyć wirowanie, wybierając symbol .

Pralka automatycznie uniemożliwi wykonanie wirowania z prędkością większą niż maksymalna prędkość wirowania przewidziana dla danego programu.

## Funkcje

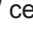
Różne funkcje, w jakie wyposażona jest pralka, pozwalają na uzyskanie oczekiwanej czystości i bieli prania.

Aby włączyć poszczególne funkcje, należy:

1. nacisnąć przycisk odpowiadający żądanej funkcji;
2. zapalenie się jego kontrolki sygnalizuje, że funkcja jest włączona.

Uwaga: Szybkie pulsowanie kontrolki wskazuje, że danej funkcji nie można ustawić dla wybranego programu.



### Uruchomienie opóźnione

W celu ustawienia opóźnionego rozpoczęcia wybranego programu należy naciskać odpowiedni przycisk aż do osiągnięcia żądanego czasu opóźnienia. Kiedy opcja ta jest aktywna, na wyświetlaczu pojawia się symbol . W celu usunięcia opóźnionego uruchomienia należy naciskać przycisk aż do pojawienia się napisu "OFF".


! Jest aktywny ze wszystkimi programami.



### EcoTime

W przypadku wyboru tej opcji ruchy bębna, temperatura i woda są dostosowywane do niedużego wsadu tkanin bawełnianych i syntetycznych, o niewielkim stopniu zabrudzenia (patrz „*Tabela programów*”). „EcoTime” możesz prac szybciej, oszczędzając wodę i energię. Zaleca się stosować płynny środek do prania, dostosowując jego ilość do ilości wsadu.

! Funkcji tej nie można włączyć w programach 1, 6, 7, 8, 9, 10, 11, 12, 13, 14, , .

### Energy Savér

Funkcja  umożliwia oszczędności pod względem zużywanej energii, nie podgrzewając wody używanej do prania, co niesie za sobą korzyści zarówno dla środowiska naturalnego, jak i dla rachunku za prąd. Wzmocniona siła działania i zoptymalizowane zużycie wody gwarantują doskonałe rezultaty przy długości cyklu takiej samej, jak w przypadku cyklu standard. Aby uzyskać jak najlepsze rezultaty, zalecamy korzystać z płynu do prania.

! Funkcji tej nie można włączyć w programach 1, 6, 7, 8, 9, 10, 12, 13, 14, , .

# Środki piorące i bielizna

PL

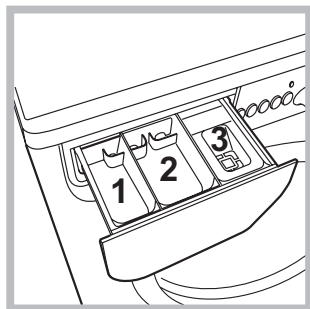
## Szufladka na środki piorące

Dobry rezultat prania zależy również od prawidłowego dozowania środka piorącego: użycie jego nadmiernej ilości nie poprawia skuteczności prania, lecz przyczynia się do powstawania nalotów na wewnętrznych częściach pralki i do zanieczyszczania środowiska.

! Nie stosować środków do prania ręcznego, ponieważ tworzą one za dużo piany.

! Środki piorące w proszku należy stosować do tkanin z białej bawełny i do prania wstępnego oraz do prania w temperaturze przekraczającej 60°C.

! Należy stosować się do zaleceń podanych na opakowaniu środka piorącego.



Wysunąć szufladkę i umieścić w niej środek piorący lub dodatkowy w następujący sposób.

**przegródka 1: Środek piorący do prania wstępnego (w proszku)**

**przegródka 2: Środek piorący do prania właściwego (w proszku lub w płynie)**

Płynny środek do prania należy wlać dopiero przed samym uruchomieniem programu.

**przegródka 3: Środki dodatkowe (zmiękczające, itp.)**

Środek zmiękczający nie powinien wypływać poza kratkę.

## Przygotowanie bielizny

- Podzielić bieliznę do prania według:
  - rodzaju tkaniny / symbolu na etykietce.
  - kolorów: oddzielić tkaniny kolorowe od białych.
- Opróżnić kieszenie i sprawdzić guziki.
- Nie przekraczać wartości wskazanych w „Tabela programów” odnoszących się do ciężaru bielizny suchej.


### Ile waży bielizna?

- 1 prześcieradło 400-500 gr.
- 1 poszewka 150-200 gr.
- 1 obrus 400-500 gr.
- 1 szlafrok 900-1.200 gr.
- 1 ręcznik 150-250 gr.

## Tkaniny wymagające szczególnego traktowania

**Jedwab:** stosować odpowiedni program **9** do prania wszelkiego rodzaju wyrobów z jedwabiu. Zaleca się stosowanie specjalnego środka piorącego do tkanin delikatnych.

**Firanki:** włożyć je złożone do poszewki lub do siatkowatego worka. Stosować program **9**.

**Wełna:** za pomocą programu **10** można prać w pralce także odzież wełnianą, również tę opatrzoną etykietą „tylko pranie ręczne” . Aby uzyskać jak najlepsze rezultaty, należy stosować specjalny środek do prania i nie przekraczać wsadu 1 kg.

**Jeans:** przed praniem odwrócić odzież na lewą stronę, stosować płynny środek do prania. Używać programu **11**.

## System równoważenia ładunku

Przed każdym wirowaniem, aby uniknąć nadmiernych drgań oraz jednorodnie rozłożyć wsad, bęben wykonuje obroty z prędkością nieco większą niż podczas prania. Jeśli pomimo kolejnych prób wsad nie zostanie równomiernie rozłożony, maszyna wykona wirowanie z prędkością mniejszą od przewidzianej. W przypadku nadmiernego nierównoważenia pralka wykona rozłożenie wsadu zamiast wirowania. Aby zapewnić lepsze rozłożenie wsadu oraz jego właściwe zrównoważenie, zaleca się wymieszanie dużych i małych sztuk bielizny.

# Nieprawidłowości w działaniu i sposoby ich usuwania

Może się zdarzyć, że pralka nie działa. Przed wezwaniem Serwisu Technicznego (*patrz „Serwis Techniczny”*) należy sprawdzić, czy problemu nie da się łatwo rozwiązać przy pomocy poniższego wykazu.

## Nieprawidłowości w działaniu:      **Możliwe przyczyny / Rozwiązania:**

### Pralka nie włącza się.

- Wtyczka nie jest włączona do gniazdka lub jest wsunięta za słabo, tak że nie ma styku.
- W domu nastąpiła przerwa w dostawie prądu.

### Cykl prania nie rozpoczyna się.

- Drzwiczki pralki nie są dobrze zamknięte.
- Nie został wciśnięty przycisk ON/OFF.
- Nie został wciśnięty przycisk START/PAUSE.
- Kurek dopływu wody jest zamknięty.
- Zostało nastawione opóźnienie startu (*patrz „Personalizacja”*).

### Pralka nie pobiera wody (Na wyświetlaczu pojawi się pulsujący napis „H2O”).

- Przewód doprowadzający wodę nie jest podłączony do kurka.
- Przewód jest zgięty.
- Kurek dopływu wody jest zamknięty.
- W domu nastąpiła przerwa w dostawie wody.
- Ciśnienie wody nie jest wystarczające.
- Nie został wciśnięty przycisk START/PAUSE.

### Pralka cały czas pobiera i odprowadza wodę.

- Przewód odpływowy nie został zainstalowany na wysokości między 65 a 100 cm od podłogi (*patrz „Instalacja”*).
- Końcówka przewodu odpływowego jest zanurzona w wodzie (*patrz „Instalacja”*).
- Otwór odpływowy w ścianie nie posiada odpowietrznika.

Jeśli po sprawdzeniu tych możliwości problem nie zostanie rozwiązany, należy zamknąć kurek dopływu wody, wyłączyć pralkę i wezwać Serwis Techniczny. Jeśli mieszkanie znajduje się na najwyższych piętrach budynku, może wystąpić efekt syfonu, w wyniku którego pralka cały czas pobiera i odprowadza wodę. W celu wyeliminowania tej niedogodności należy zakupić specjalny zawór, zapobiegający powstawaniu efektu syfonu.

### Pralka nie odprowadza wody i nie odwirowuje prania.

- Program nie przewiduje odprowadzania wody: w przypadku niektórych programów należy uruchomić je ręcznie.
- Przewód odpływowy jest zgięty (*patrz „Instalacja”*).
- Instalacja odpływowa jest zatkana.

### Pralka mocno wibruje w fazie wirowania.

- Podczas instalacji pralki bęben nie został prawidłowo odblokowany (*patrz „Instalacja”*).
- Pralka nie jest właściwie wypoziomowana (*patrz „Instalacja”*).
- Pralka, zainstalowana pomiędzy meblami a ścianą, ma za mało miejsca (*patrz „Instalacja”*).

### Z pralki wycieka woda.

- Przewód doprowadzający wodę nie jest dobrze przykręcony (*patrz „Instalacja”*).
- Szufladka na środki piorące jest zatkana (w celu jej oczyszczenia *patrz „Utrzymanie i konserwacja”*).
- Przewód odpływowy nie jest dobrze zamocowany (*patrz „Instalacja”*).

### Kontrolki “Funkcje” i kontrolka “START/PAUSE” migają i jedna z kontrolek “faza w toku” jak i “BLOKADY OKRĄGLYCH DRZWICZEK” będą świeciły się w sposób ciągły.

- Wyłączyć maszynę i wyjąć wtyczkę z gniazdka, odczekać około 1 minuty, następnie włączyć ją ponownie. Jeśli problem nie ustępuje, należy wezwać Serwis Techniczny.

### Tworzy się zbyt duża ilość piany.

- Środek piorący nie jest odpowiedni do pralek automatycznych (na opakowaniu musi być umieszczony napis: „do pralek”, „do prania ręcznego i w pralce” lub podobny).
- Użyto za dużo środka piorącego.



# Serwis Techniczny

PL

## Przed skontaktowaniem się z Serwisem Technicznym:

- Sprawdzić, czy problemu nie można rozwiązać samodzielnie (patrz „Nieprawidłowości w działaniu i sposoby ich usuwania”);
- Ponownie uruchomić program i sprawdzić, czy problem nie zniknął;
- Jeśli nie, zwrócić się do autoryzowanego Serwisu Technicznego, dzwoniąc pod numer podany w karcie gwarancyjnej.

! Nigdy nie wzywać nieautoryzowanych techników.

## Należy podać:

- rodzaj nieprawidłowości;
- model maszyny (Mod.);
- numer seryjny (S/N).

Informacje te znajdują się na tabliczce umieszczonej w tylnej części pralki oraz widocznej z przodu po otwarciu drzwiczek.

## ROZPORZĄDZENIE DELEGOWANE KOMISJI (UE) NR 1061/2010

Nazwa dostawcy	INDESIT
Nazwa modelu	IWUD 41252 C ECO EU
Pojemność znamionowa w kg	4.0
Klasa efektywności energetycznej w skali od A+++ (niskie zużycie) do G (wysokie zużycie)	A++
Roczne zużycie energii w kWh rocznie <sup>1)</sup>	124.0
Zużycie energii w przypadku standardowego programu prania tkanin bawełnianych w 60 °C przy pełnym załadunku <sup>2)</sup>	0.67
Zużycie energii w przypadku standardowego programu prania tkanin bawełnianych w 60 °C przy częściowym załadunku <sup>2)</sup>	0.445
Zużycie energii w przypadku standardowego programu prania tkanin bawełnianych w 40 °C przy częściowym załadunku <sup>2)</sup>	0.385
Zużycie energii w trybie wyłączenia	0.5
Zużycie energii w trybie czuwania	8.0
Roczne zużycie wody w litrach <sup>3)</sup>	5720
Klasa efektywności wirowania w skali od A (najwyższa efektywność) do G (najniższa efektywność)	B
Maksymalna szybkość wirowania <sup>4)</sup>	1200
Uzyskana wilgotność <sup>5)</sup>	53%
Czas w min standardowego programu prania tkanin bawełnianych w 60 °C przy pełnym załadunku.	160
Czas w min standardowego programu prania tkanin bawełnianych w 60 °C przy częściowym załadunku.	110
Czas w min standardowego programu prania tkanin bawełnianych w 40 °C przy częściowym załadunku.	105
Czas trwania trybu czuwania	30
Poziom emitowanego hałasu podczas prania w dB(A) <sup>6)</sup>	59
Poziom emitowanego hałasu podczas wirowania w dB(A) <sup>6)</sup>	77

<sup>1)</sup> Standardowy program prania tkanin bawełnianych w 60 °C i „standardowy program prania tkanin bawełnianych w 40 °C” stanowią standardowe programy prania, do których odnosi się informacja na etykiecie i w karcie, że są one odpowiednie do prania tkanin bawełnianych normalnie zabrudzonych oraz że są najbardziej efektywnymi programami pod względem łącznego zużycia energii i wody. Częściowy załadunek jest połową pełnego załadunku znamionowego.

<sup>2)</sup> Na podstawie 220 standardowych cykli prania w przypadku programów prania tkanin bawełnianych w 60 °C i 40 °C przy pełnym i częściowym załadunku oraz zużycie w trybach niskiego zużycia energii. Rzeczywiste zużycie energii zależy od sposobu użytkowania urządzenia.

<sup>3)</sup> Na podstawie 220 standardowych cykli prania w przypadku programów prania tkanin bawełnianych w 60 °C i 40 °C przy pełnym i częściowym załadunku. Rzeczywiste zużycie wody zależy od sposobu użytkowania urządzenia.

<sup>4)</sup> W przypadku standardowego programu prania tkanin bawełnianych w 60 °C przy pełnym załadunku oraz standardowego programu prania tkanin bawełnianych w 40 °C przy częściowym załadunku, w zależności od tego, która z tych wartości jest niższa,

<sup>5)</sup> W przypadku standardowego programu prania tkanin bawełnianych w 60 °C przy pełnym załadunku lub standardowego programu prania tkanin bawełnianych w 40 °C przy częściowym załadunku, w zależności od tego, która z tych wartości jest wyższa;

<sup>6)</sup> Na podstawie hałasu powstającego podczas faz prania i wirowania, w przypadku standardowego programu prania tkanin bawełnianych w 60 °C.



DE

Deutsch

IWUD 41252

### INHALTSVERZEICHNIS

#### **Installation 38-39**

Auspacken und Aufstellen  
Wasser- und Elektroanschlüsse  
Erster Waschgang  
Technische Daten

#### **Reinigung und Pflege 40**

Abstellen der Wasser- und Stromversorgung  
Reinigung des Gerätes  
Reinigung der Waschmittelschublade  
Pflege der Gerätetür und Trommel  
Reinigung der Pumpe  
Kontrolle des Wasserzulaufschlauchs

#### **Vorsichtsmaßnahmen und Hinweise 41**

Allgemeine Sicherheit  
Entsorgung

#### **Beschreibung des Waschvollautomaten und Starten eines Waschprogramms 42-43**

Bedienblende  
Kontrollleuchten  
Starten eines Waschprogramms

#### **Waschprogramme 44**

Programmtabelle

#### **Personalisierungen 45**

Temperatureinstellung  
Schleudereinstellung  
Funktionen

#### **Waschmittel und Wäsche 46**

Waschmittelschublade  
Vorsortieren der Wäsche  
Besondere Wäscheteile  
Unwuchtkontrollsystem

#### **Störungen und Abhilfe 47**

#### **Kundendienst 48**

# Installation

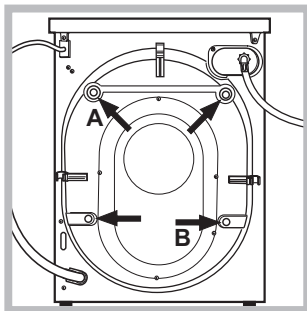
DE

! Es ist äußerst wichtig, diese Bedienungsanleitung sorgfältig aufzubewahren, um sie jederzeit zu Rate ziehen zu können. Sorgen Sie dafür, dass sie im Falle eines Umzugs oder einer Übergabe an einen anderen Benutzer das Gerät stets begleitet, damit auch der neue Inhaber die Möglichkeit hat, diese zu Rate zu ziehen.  
! Lesen Sie die Hinweise bitte aufmerksam durch, sie liefern wichtige Informationen hinsichtlich der Installation, des Gebrauchs und der Sicherheit.

## Auspacken und Aufstellen

### Auspacken

1. Gerät auspacken.  
2. Sicherstellen, dass der Waschvollautomat keine Transportschäden erlitten hat. Im Falle einer Beschädigung Gerät bitte nicht anschließen, sondern den Kundendienst anfordern.



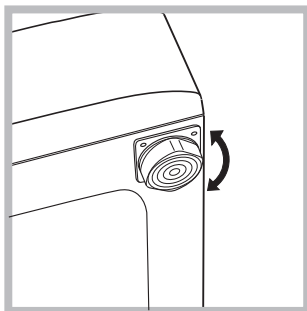
3. Die 4 Transportschutzschrauben heraus-schrauben und die an der Geräterückwand befindlichen Distanzstücke aus Gummi entfernen (siehe Abbildung).

4. Die Öffnungen mittels der mitgelieferten Abdeckungen verschliessen.  
5. Sämtliche Teile aufbewahren: Sollte der Waschautomat erneut transportiert werden, müssen diese Teile wieder eingesetzt werden.

! Verpackungsmaterial ist kein Spielzeug für Kinder.  
! Bei jedem Neigen oder verschieben der Maschine müssen die internen Komponenten geschützt werden. Hierzu werden die Schrauben, das Gummiteil und das Abstandsstück wieder in den Positionen A und B montiert. Denken Sie daran, diese nach Abschluss der Arbeiten wieder herauszunehmen.

### Nivellierung

1. Der Waschvollautomat muss auf einem ebenen, festen, schwingungsfreien Untergrund aufgestellt werden ohne diesen an Wände, Möbel etc. direkt anzulehnen.

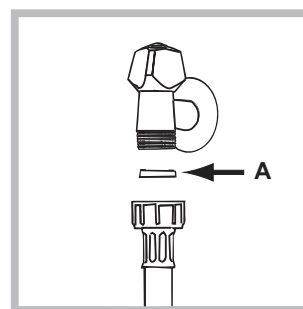


2. Sollte der Boden nicht perfekteben sein, müssen die Unebenheiten durch An- bzw. Ausdrehen der vorderen Stellfüße ausgeglichen werden (siehe Abbildung), der auf der Arbeitsfläche zu ermittelnde Neigungsgrad darf 2° nicht überschreiten.

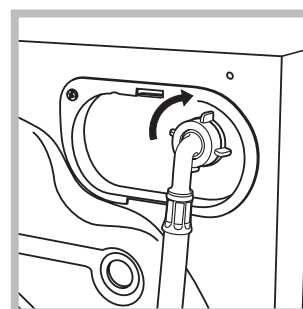
Eine präzise Nivellierung verleiht dem Gerät die erforderliche Stabilität, durch die Vibrationen, Betriebsgeräusche und ein Verrücken des Gerätes vermieden werden. Bei Teppichböden müssen die Stellfüße so reguliert werden, dass ein ausreichender Freiraum zur Belüftung unter dem Waschvollautomaten gewährleistet ist.

## Wasser- und Elektroanschlüsse

### Anschluss des Zulaufschlauches



1. Legen Sie die Gummidichtung A in das Anschlussstück des Zulaufschlauches ein und drehen Sie dieses an einen mit Gewindeanschluss von  $\frac{3}{4}$  G versehenen Kaltwasserhahn (siehe Abbildung). Lassen Sie das Wasser vor dem Anschluss so lange auslaufen, bis klares Wasser austritt.



2. Das andere Ende des Schlauches an den oben rechts am Rückteil des Waschvollautomaten befindlichen Wasseranschluss anschließen (siehe Abbildung).

3. Der Schlauch darf hierbei nicht eingeklemmt oder abgeknickt werden.

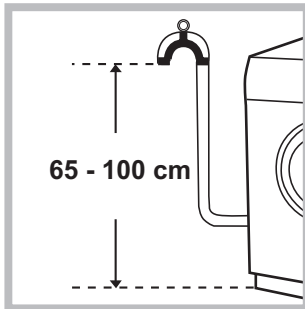
! Der Wasserdruck muss innerhalb der Werte liegen, die in der Tabelle der technischen Daten angegeben sind (siehe nebenstehende Seite).

! Sollte der Zulaufschlauch nicht lang genug sein, dann wenden Sie sich bitte an einen Fachhändler oder an einen autorisierten Fachmann.

! Verwenden Sie niemals bereits gebrauchte Schläuche.

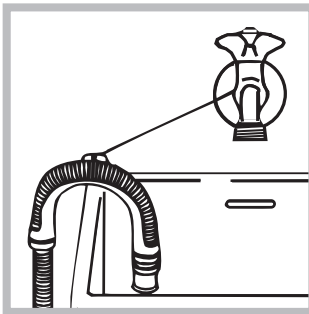
! Verwenden Sie die Schläuche, die mit dem Gerät geliefert wurden.

## Anschluss des Ablaufschlauches



Schließen Sie den Ablaufschlauch ohne ihn dabei abzuknicken an einen geeigneten Abfluss an. Die Mindestablaufhöhe beträgt 65 - 100 cm (gemessen vom Boden), oder hängen Sie diesen mittels des Schlauchhalters gesichert in

ein Becken oder Wanne ein;



Befestigen Sie diesen mittels des mitgelieferten Schlauchhalters z.B. an einen Wasserhahn (siehe Abbildung). Das freie Ablaufschlauchende darf nicht unter Wasser positioniert werden.

! Verlängerungsschläuche sollten nicht eingesetzt werden. Sollte dies unvermeidlich sein, muss die Verlängerung denselben Durchmesser des Originalschlauchs aufweisen und darf eine Länge von 150 cm nicht überschreiten.

## Stromanschluss

Vor Einfügen des Netzsteckers in die Steckdose ist sicherzustellen, dass:

- die Steckdose über eine normgerechte Erdung verfügt;
- die Steckdose die in den Technischen Daten angegebenen Höchstlast des Gerätes trägt (siehe *nebenstehende Tabelle*);
- die Stromspannung den in den Technischen Daten angegebenen Werten entspricht (siehe *nebenstehende Tabelle*);
- die Steckdose mit dem Netzstecker des Waschvollautomaten kompatibel ist. Andernfalls muss der Netzstecker (oder die Steckdose) ersetzt werden.

! Der Waschvollautomat darf nicht im Freien installiert werden, auch nicht, wenn es sich um einen geschützten Platz handelt. Es ist gefährlich, das Gerät Gewittern und Unwettern auszusetzen.

! Die Steckdose sollte nach installiertem Gerät leicht zugänglich sein.

! Verwenden Sie bitte keine Verlängerungen oder Mehrfachstecker.

! Das Netzkabel darf nicht gebogen bzw. eingeklemmt werden.

! Das Versorgungskabel darf nur durch autorisierte Fachkräfte ausgetauscht werden.

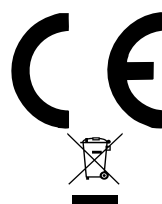
Achtung! Der Hersteller übernimmt keinerlei Haftung, sollten diese Vorschriften nicht genau beachtet werden.

## Erster Waschgang

Lassen Sie nach der Installation bzw. vor erstmaligem Gebrauch erst einen Waschgang (mit Waschmittel) ohne Wäsche durchlaufen. Stellen Sie hierzu das Waschprogramm **2** ein.

## Technische Daten

<b>Modell</b>	IWUD 41252
<b>Abmessungen</b>	Breite 59,5 cm Höhe 85 cm Tiefe 33 cm
<b>Fassungsvermögen</b>	1 bis 4 kg
<b>Elektroanschlüsse</b>	siehe das am Gerät befindliche Typenschild
<b>Wasseranschlüsse</b>	Höchstdruck 1 MPa (10 bar) Mindestdruck 0,05 MPa (0,5 bar) Trommelvolumen 27 Liter
<b>Schleudertouren</b>	bis zu 1200 U/min.
<b>Prüfprogramme gemäß der Richtlinien 1061/2010 und 1015/2010</b>	Programm 2: Baumwolle Standard 60°C. Programm 3: Baumwolle Standard 40°C.



Dieses Gerät entspricht den folgenden EG-Richtlinien:  
- 2004/108/CE (elektromagnetische Verträglichkeit) und nachfolgenden Änderungen  
- 2012/19/EU  
- 2006/95/CE (Niederspannung)

# Reinigung und Pflege

DE

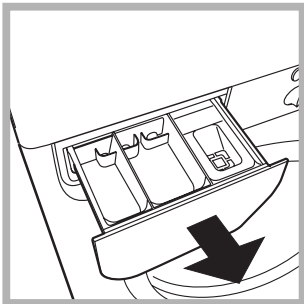
## Abstellen der Wasser- und Stromversorgung

- Drehen Sie den Wasserhahn nach jedem Waschvorgang zu. Hierdurch wird der Verschleiß der Wasseranlage verringert und Wasserlecks vorgebeugt.
- Ziehen Sie den Netzstecker aus der Steckdose, bevor Sie Ihren Waschvollautomaten reinigen.

## Reinigung des Gerätes

Die Gehäuseteile und die Teile aus Gummi können mit einem mit warmer Spülmittellauge angefeuchteten Tuch gereinigt werden. Vermeiden Sie Löse- und Scheuermittel

## Reinigung der Waschmittelschublade



Heben Sie die Schublade leicht an und ziehen Sie sie nach vorne hin heraus (siehe Abbildung). Spülen Sie sie regelmäßig unter fließendem Wasser gründlich aus.

## Pflege der Gerätetür und Trommel

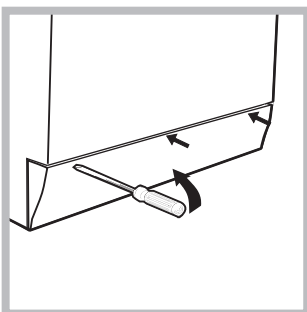
- Lassen Sie die Gerätetür stets leicht offen stehen, um die Bildung unangenehmer Gerüche zu vermeiden.

## Reinigung der Pumpe

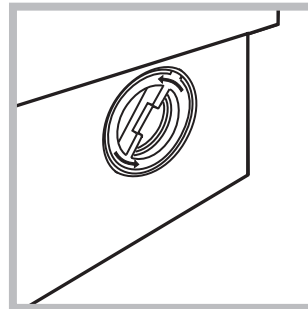
Ihr Gerät ist mit einer selbstreinigenden Pumpe ausgerüstet, eine Wartung ist demnach nicht erforderlich. Es könnte jedoch vorkommen, dass kleine Gegenstände (Münzen, Knöpfe) in die zum Schutz der Pumpe dienende Vorkammer (befindlich unter der Pumpe) fallen.

! Vergewissern Sie sich, dass der Waschgang abgeschlossen ist und ziehen Sie den Netzstecker heraus.

Zugang zur Vorkammer:



1. Nehmen Sie die Abdeckung (befindlich an der Gerätefront) mit Hilfe eines Schraubenziehers ab (siehe Abbildung);



2. Drehen Sie den Deckel gegen den Uhrzeigersinn ab (siehe Abbildung); es ist ganz normal, wenn etwas Wasser austritt;

3. Reinigen Sie das Innere gründlich;
4. Schrauben Sie den Deckel wieder auf;
5. Bringen Sie die Abdeckung wieder an. Stellen Sie hierbei sicher, dass die Haken in die Schlitze eingreifen, bevor Sie die Abdeckung fest andrücken.

## Kontrolle des Wasserzulaufschlauchs

Kontrollieren Sie den Zulaufschlauch mindestens einmal im Jahr. Weist er Risse bzw. Brüche auf, muss er ausgetauscht werden. Der starke Druck während des Waschprogramms könnte zu plötzlichem Platzen führen.

! Verwenden Sie niemals bereits gebrauchte Schläuche.

! Der Waschvollautomat wurde nach den strengsten internationalen Sicherheitsvorschriften entworfen und gebaut. Nachstehende Hinweise werden aus Sicherheitsgründen geliefert und sollten aufmerksam gelesen werden.

## Allgemeine Sicherheit

- Dieses Gerät wurde ausschließlich für den Einsatz im privaten Haushalt konzipiert.
- Dieses Gerät darf von Kindern ab 8 Jahren und von Personen mit eingeschränkten körperlichen, sensorischen oder geistigen Fähigkeiten oder mit unzureichender Erfahrung und Kenntnis verwendet werden, vorausgesetzt, sie werden überwacht oder sie haben eine ausreichende Einweisung in die sichere Nutzung des Geräts erhalten und haben die damit verbundenen Gefahren verstanden. Erlauben Sie Kindern nicht, mit dem Gerät zu spielen. Wartung und Reinigung dürfen nicht von unbeaufsichtigten Kindern ausgeführt werden.
- Der Waschvollautomat darf nur von Erwachsenen und gemäß den Anleitungen dieses Handbuchs bedient werden.
- Berühren Sie das Gerät nicht, wenn Sie barfuß sind, und auch nicht mit nassen oder feuchten Händen oder Füßen.
- Ziehen Sie den Gerätestecker nicht am Kabel aus der Steckdose, sondern nur am Netzstecker selbst.
- Öffnen Sie die Waschmittelschublade nicht, wenn das Gerät in Betrieb ist.
- Berühren Sie nicht das Ablaufwasser, es könnte sehr heiß sein.
- Öffnen Sie die Gerätetür nicht mit Gewalt: Der Sicherheits-Schließmechanismus könnte hierdurch beschädigt werden.
- Bei etwaigen Störungen versuchen Sie bitte nicht, Innenteile selbst zu reparieren.
- Halten Sie Kinder stets von dem in Betrieb befindlichen Gerät fern.
- Während des Waschganges kann die Gerätetür sehr heiß werden.
- Muss das Gerät versetzt werden, sollten hierfür zwei oder drei Personen verfügbar sein. Versetzen Sie es niemals allein, das Gerät ist äußerst schwer.
- Bevor Sie die Wäsche einfüllen, stellen Sie bitte sicher, dass die Wäschetrommel leer ist.

## Entsorgung

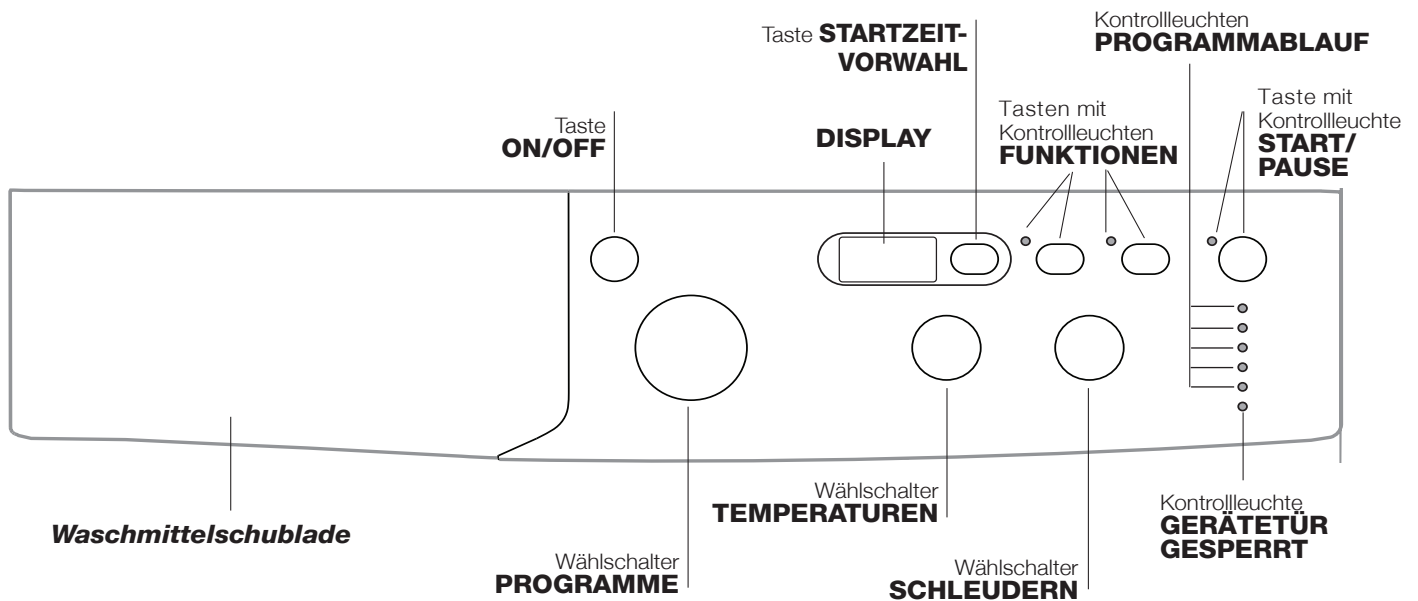
- Entsorgung des Verpackungsmaterials: Befolgen Sie die lokalen Vorschriften, Verpackungsmaterial kann wiederverwertet werden.
- Gemäß der Europäischen Richtlinie 2012/19/EU über Elektro- und Elektronik-Altgeräte dürfen Elektrohaushalts-Altgeräte nicht über den herkömmlichen Haushaltsmüllkreislauf entsorgt werden. Altgeräte müssen separat gesammelt

werden, um die Wiederverwertung und das Recycling der beinhaltenen Materialien zu optimieren und die Einflüsse auf die Umwelt und die Gesundheit zu reduzieren. Das Symbol „durchgestrichene Mülltonne“ auf jedem Produkt erinnert Sie an Ihre Verpflichtung, dass Elektrohaushaltsgeräte gesondert entsorgt werden müssen. Endverbraucher können sich an Abfallämter der Gemeinden wenden, um mehr Informationen über die korrekte Entsorgung ihrer Elektrohaushaltsgeräte zu erhalten.

# Beschreibung des Waschvollautomaten und Starten eines Waschprogramms

DE

## Bedienblende



**Waschmittelschublade:** für Waschmittel und Zusätze (siehe „Waschmittel und Wäsche“).

Taste **ON/OFF:** Zum Ein- und Ausschalten Ihres Waschvollautomaten.

Wählschalter **PROGRAMME:** Zur Wahl der Waschprogramme. Während des Programmablaufs bleibt der Schalter feststehend.

Tasten mit Kontrollleuchten **FUNKTIONEN:** Zur Einstellung der verfügbaren Funktionen. Die der gewählten Einstellung entsprechende Kontrollleuchte bleibt eingeschaltet.

Wählschalter **SCHLEUDERN:** oder um das Schleudern auszuschliessen (siehe „Personalisierungen“).

Wählschalter **TEMPERATUREN:** Zur Einstellung der Waschtemperatur oder einer Kaltwäsche (siehe „Personalisierungen“).


**DISPLAY:** zur Anzeige der Dauer der verschiedenen verfügbaren Programme sowie der Restzeit nach Zyklusstart; wurde eine STARTZEITVORWAHL eingestellt, dann wird die bis zum Start des ausgewählten Programms verbleibende Zeit angezeigt.

Taste **STARTZEITVORWAHL** : Zur Vorwahl der Startzeit des gewählten Programms drücken Sie bitte diese Taste; Der Wert wird auf dem Display angezeigt.

Kontrollleuchten **PROGRAMMABLAUF:** Zur Kontrolle des Waschprogrammablaufs. Die eingeschaltete Kontrollleuchte zeigt die laufende Programmphase an.

Kontrollleuchte **GERÄTETÜR GESPERRT:** Diese Taste zeigt an, ob die Gerätetür geöffnet werden kann oder nicht (siehe *Nebenseite*).

Taste mit Kontrollleuchte **START/PAUSE:** Mittels dieser Taste werden die Waschprogramme gestartet oder kurz unterbrochen.

**NB:** Durch Drücken dieser Taste, kann das Waschprogramm zeitweilig unterbrochen werden (Pause). Die entsprechende Kontrollleuchte schaltet auf orangefarbenes Blinklicht, die Kontrollleuchte der bestehenden Programmphase dagegen schaltet auf Dauerlicht. Sobald die Kontrollleuchte GERÄTETÜR GESPERRT  erlischt, kann die Gerätetür geöffnet werden.

Um das Programm an der Stelle, an der es unterbrochen wurde, wieder in Gang zu setzen, drücken Sie diese Taste erneut.

### Funktion Standby

Zur Erfüllung der neuen Richtlinien zum Energieverbrauch ist diese Waschmaschine mit einem automatischen Ausschaltssystem (Standby) ausgestattet, das nach 30 Minuten des Nichtgebrauchs in Funktion tritt. Drücken Sie kurz die Taste EIN-AUS und warten Sie, bis sich die Maschine wieder einschaltet.

Verbrauch in Off-Betrieb: 0,5 W

Verbrauch in Left-On: 8 W







## Kontrollleuchten

Die Kontrollleuchten liefern wichtige Hinweise. Sie signalisieren:

### Laufende Programmphase

Wurde das Waschprogramm gewählt und gestartet, leuchten die Kontrollleuchten nach und nach auf, und zeigen so den jeweiligen Programmstand an.

Hauptwäsche	● 
Spülen	● 
Schleudern	● 
Abpumpen	● 
Ende des Waschgangs	● <b>END</b>


### Funktionstasten und entsprechende Kontrollleuchten

Nach der Wahl einer Funktion leuchtet die entsprechende Taste auf. Ist die gewählte Funktion nicht vereinbar mit dem eingestellten Programm, schaltet die entsprechende Kontrollleuchte auf Blinklicht und die Funktion wird nicht aktiviert. Ist die gewählte Funktion mit einer anderen bereits eingestellten nicht kompatibel, schaltet die der ersten Funktion entsprechende Kontrollleuchte auf Blinklicht und nur die zweite Funktion wird aktiviert, die Kontrollleuchte der aktivierten Funktion schaltet auf Dauerlicht.

### Kontrollleuchte Gerätetür gesperrt:

Ist diese Kontrollleuchte eingeschaltet, bedeutet dies, dass das Bullauge gesperrt ist; warten Sie, bis die Leuchte erlischt, um das Bullauge zu öffnen (etwa 3 Minuten). Um während eines laufenden Programms das Bullauge zu öffnen, drücken Sie die Taste START/PAUSE; ist die der GERÄTETÜR GESPERRT entsprechende Kontrollleuchte ausgeschaltet, kann das Bullauge geöffnet werden.



## Starten eines Waschprogramms

1. Schalten Sie den Waschvollautomaten durch Drücken der ON/OFF-Taste ein. Sämtliche Kontrollleuchten leuchten für einige Sekunden auf, und erlöschen wieder. Die Kontrollleuchte START/PAUSE schaltet auf Blinklicht.
2. Füllen Sie die Wäsche ein, und schließen Sie die Gerätetür.
3. Stellen Sie mittels des Wählschalters PROGRAMME das gewünschte Programm ein.
4. Stellen Sie die Waschtemperatur ein (siehe „Personalisierungen“).
5. Stellen Sie die Schleuderstufe ein (siehe „Personalisierungen“).
6. Füllen Sie Waschmittel und Zusätze ein (siehe „Waschmittel und Wäsche“).
7. Wählen Sie die gewünschten Funktionen.
8. Setzen Sie das Programm in Gang. Drücken Sie hierzu die Taste START/PAUSE. Die entsprechende Kontrollleuchte bleibt eingeschaltet (grünes Dauerlicht). Um die Waschprogramm-Einstellung rückgängig zu machen, muss das Gerät auf Pause geschaltet werden. Drücken Sie hierzu die Taste START/PAUSE. Wählen Sie daraufhin das neue Programm.
9. Nach Ablauf des Waschprogramms leuchtet die Kontrollleuchte **END** auf. Sobald die Kontrollleuchte GERÄTETÜR GESPERRT  erlischt, kann das Bullauge geöffnet werden. Nehmen Sie die Wäsche aus der Maschine und lassen Sie die Gerätetür leicht offen stehen, damit die Trommel trocknen kann. Schalten Sie den Waschvollautomaten durch Drücken der ON/OFF-Taste aus.

# Waschprogramme

DE

## Programmtabelle

Wasch-programme	Beschreibung des Programms	Max. Temp. (C°)	Max. Schleuder Geschwindigkeit (U/min)	Waschmittel			Max. Beladungs-menge (kg)	Restfeuchtigkeit %	Energieverbrauch kWh	Wasser gesamt lt	Programmdauer
				Vorwäsche	Hauptwä-sche	Weich-spüler					
<b>Standard (Daily)</b>											
1	Baumwolle vorwäsche: stark verschmutzte Kochwäsche.	90°	1200	●	●	●	4	53	1,46	44	140'
2	Baumwolle standard 60° (1): stark verschmutzte Weiß- und farbechte Buntwäsche.	60° (Max. 90°)	1200	-	●	●	4	53	0,67	32	160'
3	Baumwolle standard 40° (2): leicht verschmutzte Weiß- und empfindliche Buntwäsche.	40°	1200	-	●	●	4	53	0,60	46	150'
4	Synthetik: stark verschmutzte, farbechte Buntwäsche.	60°	800	-	●	●	2	42	0,67	26	95'
4	Synthetik (3): leicht verschmutzte, farbechte Buntwäsche.	40°	800	-	●	●	2	42	0,42	27	85'
5	Buntwäsche: leicht verschmutzte Weißwäsche und empfindliche Buntwäsche.	40°	1200	-	●	●	4	53	0,65	32	85'
<b>20° Zone</b>											
6	Baumwolle standard 20°: leicht verschmutzte Weiß- und empfindliche Buntwäsche.	20°	1200	-	●	●	4	-	-	-	160'
7	Mix light	20°	800	-	●	●	4	-	-	-	105'
8	20' auffrischen	20°	800	-	●	●	1,5	-	-	-	20'
<b>Spezial (Special)</b>											
9	Seide/Gardinen	30°	0	-	●	●	1	-	-	-	50'
10	Wolle: wolle, Kaschmir usw.	40°	800	-	●	●	1	-	-	-	55'
11	Jeans	40°	800	-	●	●	1,5	-	-	-	70'
<b>Sport</b>											
12	Sport Intensiv	30°	600	-	●	●	1,5	-	-	-	80'
13	Sport Light	30°	600	-	●	●	1,5	-	-	-	55'
14	Spezial Schuhe	30°	600	-	●	●	Max. 2 Paar	-	-	-	50'
<b>Teilprogramme</b>											
	Spülen	-	1200	-	-	●	4	-	-	-	36'
	Schleudern + Abpumpen	-	1200	-	-	-	4	-	-	-	16'

Die auf dem Display und in der Bedienungsanleitung genannte Zyklusdauer wird ausgehend von Standardbedingungen berechnet. Die effektiv benötigte Zeit kann aufgrund zahlreicher Faktoren wie Temperatur und Druck des Zulaufwassers, Raumtemperatur, Waschmittelmenge, Art, Menge und Verteilung der Waschladung sowie der gewählten Zusatzfunktionen variieren.

### 1) Prüfprogramm gemäß 1061/2010: Programm 2 und eine Temperatur von 60°C einstellen.

Dieser Zyklus ist für den Waschvorgang von normal schmutziger Baumwollwäsche geeignet; es ist der wirksamste in Bezug auf den kombinierten Energie-Wasser-Verbrauch; für bei 60°C zu waschende Wäsche zu verwenden. Die effektive Waschttemperatur kann von der angegebenen abweichen.

### 2) Prüfprogramm gemäß 1061/2010: Programm 3 und eine Temperatur von 40°C einstellen.

Dieser Zyklus ist für den Waschvorgang von normal schmutziger Baumwollwäsche geeignet; es ist der wirksamste in Bezug auf den kombinierten Energie-Wasser-Verbrauch; für bei 40°C zu waschende Wäsche zu verwenden. Die effektive Waschttemperatur kann von der angegebenen abweichen.

Für alle Testinstitute:

2) Langes Baumwollprogramm: Programm 3 und eine Temperatur von 40°C einstellen.

3) Langes Kunstfaserprogramm: Programm 4 und eine Temperatur von 40°C einstellen.

**Sport Intensiv** (Programm 12) ist speziell für stark verschmutzte Sportkleidung (Trainingsanzüge, Sporthosen; für beste Resultate empfehlen wir, die in der "Programmtabelle" angezeigte maximale Füllmenge nicht zu übersteigen.

**Sport Light** (Programm 13) ist speziell für wenig verschmutzte Sportkleidung (Trainingsanzüge, Sporthosen; für beste Resultate empfehlen wir, die in der "Programmtabelle" angezeigte maximale Füllmenge nicht zu übersteigen. Verwenden Sie ein Flüssigwaschmittel und nur die Menge für eine halbe Gerätefüllung.

**Spezial Schuhe** (Programm 14) ist speziell für das Waschen von Sportschuhen; für beste Resultate waschen Sie nicht mehr als 2 Paar.

**20 Programme** bieten gute Waschleistungen bei niedrigen Temperaturen und damit einem geringeren Energieverbrauch, was einerseits die Kosten senkt und andererseits der Umwelt zu Gute kommt. Die 20-Grad-Programme erfüllen alle Anforderungen:

**Baumwolle standard 20°** (programme 6) ideal für normalverschmutzte Baumwolle. Die auch mit kaltem Wasser erreichten Leistungen, vergleichbar mit einer Wäsche bei 40°, werden mechanisch erzielt. Die Trommel arbeitet mit wiederholten, kurz auf einander folgenden Beschleunigungen.

**Mix Light** (programme 7) ideal für durchschnittlich verschmutzte Mischwäsche (Baumwolle und Synthetik). Die guten Waschleistungen auch mit kaltem Wasser werden mechanisch erzielt. Die Trommel arbeitet mit wiederholten, gleichmäßigen Geschwindigkeitsänderungen.

**20' auffrischen** (programme 8) ideales Waschprogramm zum Auffrischen und Waschen von wenig verschmutzter Wäsche in kurzer Zeit. Das Programm dauert nur 20 Minuten und spart Zeit und Energie. Es können Gewebe unterschiedlicher Art (mit Ausnahme von Wolle und Seide) bei einer maximalen Füllmenge von 1,5 kg zusammen gewaschen werden.

## Temperatureinstellung

Drehen Sie den Wählschalter TEMPERATUREN, um die Waschtemperatur einzustellen (siehe *Programmtabelle*).

Die Temperatur kann bis auf Kaltwäsche  herabgesetzt werden.

Der Waschvollautomat verhindert automatisch die Einstellung einer höheren Schleuderstufe, sollte diese die für das jeweilige Programm vorgeschriebene Höchstgeschwindigkeit übersteigen.

! Ausnahme: Wird das Waschprogramm 2 eingestellt, kann die Temperatur bis auf 90° erhöht werden.

## Schleudereinstellung

Durch Drehen des Wählschalters SCHLEUDER wird die Schleudergeschwindigkeit des gewählten Waschprogramms eingestellt. Folgende Höchstgeschwindigkeiten sind für die einzelnen Programme vorgesehen:

Waschprogramme	Höchstgeschwindigkeit
Baumwolle	1200 U/min
Synthetik	800 U/min
Wolle	800 U/min
Seide	nur Wasserablauf

Die Schleudergeschwindigkeit kann herabgesetzt werden. Durch Wahl des Symbols  kann die Schleuder gänzlich ausgeschlossen werden.

Der Waschvollautomat verhindert automatisch ein stärkeres Schleudern, sollte dieses die für das jeweilige Programm vorgeschriebene Höchstgeschwindigkeit übersteigen.

## Funktionen


Die verschiedenen Waschfunktionen, die Ihnen Ihr Waschvollautomat bietet, ermöglichen es Ihnen, hygienisch saubere und weiße Wäsche zu erhalten, die Ihren Wünschen entspricht.

Aktivierung der Funktionen:

1. Drücken Sie die Taste, die der gewünschten Funktion entspricht.
2. Das Aufleuchten der entsprechenden Kontrollleuchte zeigt an, dass die Funktion aktiviert wurde.

Anmerkung: Sollte die Kontrollleuchte jedoch auf rasches Blinklicht schalten, dann bedeutet dies, dass die Funktion zu dem eingestellten Programm nicht zugeschaltet werden kann.

## Startzeitvorwahl



Zur Vorwahl der Startzeit des eingestellten Programms drücken Sie die entsprechende Taste, bis die gewünschte Zeitverzögerung angezeigt wird. Wenn diese Option aktiv ist, dann schaltet sich auf dem Display das Symbol  ein. Um eine programmierte Startzeit zu löschen, drücken Sie die Taste, bis auf dem Display die Anzeige "OFF" erscheint.

! Obiges gilt für alle Programme.


## EcoTime

Durch Auswahl dieser Option werden die mechanische Bewegung, die Temperatur und das Wasser für eine verminderte Füllmenge mit wenig verschmutzten Baumwoll- und Synthetikstoffen optimiert (siehe *"Programmtabelle"*).

Mit EcoTime werden die Waschzeiten verkürzt, was Wasser und Energie spart. Wir empfehlen, die für die Füllmenge geeignete Menge Flüssigwaschmittel zu verwenden.

! Diese Funktion kann zu den Programmen 1, 6, 7, 8, 9, 10, 11, 12, 13, 14, , , nicht zugeschaltet werden.

## Energy Saver

Die Funktion  trägt dazu bei, Energie zu sparen, indem das Wasser für die Wäsche nicht aufgeheizt wird – ein Vorteil sowohl für die Umwelt als auch für die Stromrechnung. Tatsächlich sichern die verstärkte Waschkaktion und der optimierte Wasserverbrauch hervorragende Ergebnisse bei gleicher durchschnittlicher Dauer eines Standardzyklusses zu. Für maximale Waschergebnisse empfehlen wir den Einsatz eines Flüssigwaschmittels.

! Diese Funktion kann zu den Programmen 1, 6, 7, 8, 9, 10, 12, 13, 14, , , nicht zugeschaltet werden.

# Waschmittel und Wäsche

DE

## Waschmittel und Wäsche

Ein gutes Waschergebnis hängt auch von einer korrekten Waschmitteldosierung ab: Eine zu hohe Dosierung bedeutet nicht unbedingt reinere Wäsche, sie trägt nur dazu bei, die Maschineninnenteile zu verkrusten und die Umwelt zu belasten.

! Verwenden Sie keine Handwaschmittel, sie verursachen eine zu hohe Schaumbildung.

! Waschmittel in Pulverform für Baumwollweißwäsche, für die Vorwäsche und für Waschprogramme bei Temperaturen über 60°C verwenden.

! Bitte befolgen Sie den auf der Waschmittelverpackung angegebenen Anweisungen.



Schublade herausziehen und Waschmittel oder Zusätze wie folgt einfüllen:

**In Kammer 1: Waschpulver für die Vorwäsche (Waschpulver)**

**In Kammer 2: Waschmittel für die Hauptwäsche (Waschpulver oder Flüssigwaschmittel)**

Flüssigwaschmittel nur kurz vor dem Start einfüllen.

**In Kammer 3: Zusätze (Weichspüler usw.)**

Der Weichspüler darf das Gitter nicht übersteigen.

## Vorsortieren der Wäsche

- Sortieren Sie die Wäsche nach:
  - Gewebeat / Waschetikettensymbol.
  - und Farben: Buntwäsche von Weißwäsche trennen.
- Entleeren Sie alle Taschen.
- Das in der „*Programmtabelle*“ angegebene Gewicht, beschreibt die maximale Ladung Trockenwäsche und darf nicht überschritten werden.


## Wie schwer ist Wäsche?

- 1 Betttuch 400-500 gr
- 1 Kissenbezug 150-200 gr
- 1 Tischdecke 400-500 gr
- 1 Bademantel 900-1.200 gr
- 1 Handtuch 150-250 gr

## Besondere Wäscheteile

**Seide:** Wählen Sie das Spezialprogramm **9** zum Waschen aller Kleidungs- bzw. Wäschestücke aus Seide. Es empfiehlt sich der Einsatz von Feinwaschmittel.

**Gardinen:** Sie sollten zusammengelegt und in ein Wäschenetz gegeben werden. Stellen Sie das Programm **9** ein.

**Wolle:** Mit dem Programm **10** können alle Woll Sachen gewaschen werden, auch wenn das Etikett „nur Handwäsche“  zeigt. Für beste Ergebnisse verwenden Sie ein spezifisches Waschmittel und waschen Sie maximal 1 kg Wäsche.

**Jeans:** Drehen Sie die Wäschestücke vor der Wäsche auf links und verwenden Sie ein Flüssigwaschmittel. Stellen Sie das Programm **11** ein.

## Unwuchtkontrollsystem

Um starke Vibrationen oder eine Unwucht beim Schleudern zu vermeiden, verfügt das Gerät über ein Schleuderunwuchtsystem. Die Waschlade wird durch eine erhöhte Rotation der Trommel als die des Waschganges ausbalanciert. Sollte die Wäscheladung nach Ablauf mehrerer Versuche immer noch nicht korrekt verteilt sein, schleudert das Gerät die Wäsche bei einer niedrigeren Geschwindigkeit als die der vorgesehenen Schleudergeschwindigkeit. Sollte die Wäsche extrem ungleichmäßig verteilt sein, führt das Gerät anstelle des Schleuderganges einen Wäscheverteilungs-Zyklus durch. Um eine optimale Verteilung der Wäscheladung und somit eine korrekte Auswuchtung zu fördern, sollten große und kleine Wäscheteile gemischt eingefüllt werden.

Bei Funktionsstörung: Bevor Sie sich an den Technischen Kundendienst wenden (siehe „Kundendienst“), vergewissern Sie sich zuerst, ob es sich nicht um eine Kleinigkeit handelt, die Sie selbst beheben können. Ziehen Sie hierzu nachstehendes Verzeichnis zu Rate.

## Störungen:

**Der Waschvollautomat schaltet sich nicht ein.**

## Mögliche Ursachen / Lösungen:

- Der Stecker steckt nicht in der Steckdose, oder nicht so, dass der Kontakt hergestellt wird.
- Der Strom ist ausgefallen.

**Der Waschgang startet nicht.**

- Die Gerätetür wurde nicht vorschriftsmäßig geschlossen.
- Die ON/OFF-Taste wurde nicht gedrückt.
- Die Taste START/PAUSE wurde nicht gedrückt.
- Der Wasserhahn ist nicht aufgedreht.
- Es wurde ein verzögerter Start gewählt (siehe „Personalisierungen“).

**Der Waschvollautomat lädt kein Wasser. Die Kontrollleuchte der ersten Waschphase blinkt (rasches Blinklicht).**

- Der Zufuhrschlauch ist nicht am Wasserhahn angeschlossen.
- Der Schlauch ist geknickt.
- Der Wasserhahn ist nicht aufgedreht.
- Es ist kein Wasser da.
- Der Druck ist unzureichend.
- Die Taste START/PAUSE wurde nicht gedrückt.

**Der Waschvollautomat lädt laufend Wasser und pumpt es laufend ab.**

- Der Ablaufschlauch befindet sich nicht auf der vorgeschriebenen Höhe, d.h. 65 – 100 cm vom Boden (siehe „Installation“).
- Das Schlauchende liegt unter Wasser (siehe „Installation“).
- Der Abfluss der Hausinstallation wurde nicht mit einer Entlüftungsöffnung versehen. Könnte die Störung durch diese Kontrollen nicht behoben werden, dann drehen Sie den Wasserhahn zu, schalten das Gerät aus und fordern den Kundendienst an. Falls Sie in einer der obersten Etagen eines Gebäudes wohnen, kann es vorkommen, dass sich im Syphon ein Vakuum bildet, und der Waschvollautomat ständig Wasser ansaugt und wieder abpumpt. Zur Lösung dieser Probleme bietet der Handel spezielle Syphonventile.

**Der Waschvollautomat pumpt nicht ab und schleudert nicht.**

- Das Programm siehe kein Abpumpen vor: Bei einigen Programmen muss es von Hand eingestellt werden (siehe „Starten eines Waschprogramms“).
- Der Ablaufschlauch ist geknickt (siehe „Installation“).
- Die Ablaufleitung ist verstopft.

**Der Waschvollautomat vibriert zu stark während des Schleuderns.**

- Die Trommel wurde bei der Installation nicht korrekt befreit (siehe „Installation“).
- Der Waschvollautomat steht nicht eben (siehe „Installation“).
- Der Waschvollautomat steht zu eng zwischen der Wand und einem Möbel (siehe „Installation“).

**Der Waschvollautomat ist undicht.**

- Der Zulaufschlauch wurde nicht ordnungsgemäß aufgeschraubt (siehe „Installation“).
- Die Waschmittelschublade ist verstopft (zur Reinigung siehe „Wartung und Pflege“).
- Der Ablaufschlauch ist nicht korrekt befestigt (siehe „Installation“).

**Die Kontrollleuchten „Funktionen“ und „Start/Pause“ blinken und eine der Kontrollleuchten der „laufenden Programmphase“ sowie die für „Gerätetür gesperrt“ bleiben eingeschaltet.**

- Schalten Sie das Gerät aus und ziehen Sie den Netzstecker; warten Sie daraufhin ca. 1 Minute und schalten Sie es wieder ein. Bleibt die Störung bestehen, kontaktieren Sie bitte den Kundendienst.

**Es bildet sich zu viel Schaum.**

- Das Waschmittel ist für Waschmaschinen nicht geeignet (es muss mit der Aufschrift „Für Waschmaschinen“, „Für Handwäsche und Waschmaschinen“ usw. versehen sein).
- Es wurde zu hoch dosiert.

# Kundendienst

DE

**Bevor Sie sich an den Kundendienst wenden:**

- Sollten einige Kontrollen vorab selbst durchgeführt werden (siehe „Störungen und Abhilfe“);
- Starten Sie daraufhin das Programm erneut, um sicherzustellen, dass die Störung auch wirklich behoben wurde;
- Ist dies nicht der Fall, dann kontaktieren Sie den autorisierten Kundendienst unter der auf dem Garantieschein befindlichen Telefonnummer.

! Wenden Sie sich auf keinen Fall an nicht autorisierte Techniker.

**Geben Sie bitte Folgendes an:**

- die Art der Störung;
- das Maschinenmodell (Mod.);
- die Seriennummer (S/N).

Diese Daten entnehmen Sie bitte dem auf der Rückseite des Waschvollautomaten und auf der Vorderseite (Gerätetür öffnen) befindlichen Typenschild.

**DELEGIERTE VERORDNUNG (EU) Nr. 1061/2010 DER KOMMISSION**

Marke	INDESIT
Modell	IWUD 41252 C ECO EU
Nennkapazität Baumwolle in kg	4.0
Energieeffizienzklasse (A+++ niedriger Verbrauch) bis D (hoher Verbrauch)	A++
Energieverbrauch pro Jahr in kWh <sup>1)</sup>	124.0
Energieverbrauch Standardprogramm 60° C Baumwolle bei ganzer Beladung <sup>2)</sup>	0.67
Energieverbrauch Standardprogramm 60° C Baumwolle bei teilweiser Beladung <sup>2)</sup>	0.445
Energieverbrauch Standardprogramm 40° C Baumwolle bei teilweiser Beladung <sup>2)</sup>	0.385
Leistungsaufnahme im Aus-Zustand in W	0.5
Leistungsaufnahme im unausgeschalteten Zustand in W	8.0
Wasserverbrauch pro Jahr in Liter <sup>3)</sup>	5720
Schleudereffizienzklasse (A höchste Effizienz) bis G (geringe Effizienz)	B
Maximale Schleuderdrehzahl U/min <sup>4)</sup>	1200
Restfeuchte in % <sup>5)</sup>	53%
Programmdauer 60° Baumwolle bei ganzer Beladung in Minuten	160
Programmdauer 60° Baumwolle bei teilweiser Beladung in Minuten	110
Programmdauer 40° Baumwolle bei teilweiser Beladung in Minuten	105
Dauer des unausgeschalteten Zustandes in Minuten nach Programmende	30
Luftschallemissionen Waschen dB(A) re 1pW <sup>6)</sup>	59
Luftschallemissionen Schleudern dB(A) re 1pW <sup>6)</sup>	77

<sup>1)</sup> Die Angaben beziehen sich auf die Standardprogramme 60° C Baumwolle, volle und teilweise Beladung sowie 40° C Baumwolle teilweise Beladung. Diese Programme eignen sich für normal verschmutzte Wäsche und sind die effizientesten Programme in Bezug auf den kombinierten Energie- und Wasserverbrauch. Unter teilweiser Beladung versteht man halbe Beladung.

<sup>2)</sup> Angabe auf Grundlage von 220 Standard-Waschzyklen für 60 °C- und 40 °C- Baumwollprogramme bei vollständiger Befüllung und Teilbefüllung sowie dem Verbrauch der Betriebsarten mit geringer Leistungsaufnahme. Der tatsächliche Energieverbrauch hängt von der Art der Nutzung des Geräts ab

<sup>3)</sup> Angabe auf Grundlage von 220 Standard-Waschzyklen für 60 °C- und 40 °C- Baumwollprogramme bei vollständiger Befüllung und Teilbefüllung. Der tatsächliche Wasserverbrauch hängt von der Art der Nutzung des Geräts ab.

<sup>4)</sup> Für Programme Standard 60° Baumwolle bei ganzer und teilweiser Beladung oder für 40° Baumwolle bei teilweiser Beladung . Angabe des jeweils niedrigeren Wertes.

<sup>5)</sup> Für Programme Standard 60° Baumwolle bei ganzer und teilweiser Beladung oder für 40° Baumwolle bei teilweiser Beladung . Angabe des jeweils höheren Wertes.

<sup>6)</sup> Gemessen am Programme Standard 60° Baumwolle Vollast.



CZ

Česky

IWUD 41252

## Obsah

### Instalace, 50-51

Rozbalení a vyrovnaní do vodorovné polohy  
Připojení k elektrické a k vodovodní síti  
První prací cyklus  
Technické údaje

### Údržba a péče, 52

Uzavření přívodu vody a vypnutí elektrického napájení  
Čištění pračky  
Čištění dávkovače pracích prostředků  
Péče o dvířka a buben  
Čištění čerpadla  
Kontrola přítokové hadice na vodu

### Opatření a rady, 53

Základní bezpečnostní pokyny  
Likvidace

### Popis pračky a zahájení pracího programu, 54-55

Ovládací panel  
Kontrolky  
Zahájení pracího programu

### Prací programy, 56

Tabulka pracích programů

### Uživatelská nastavení, 57

Nastavení teploty  
Nastavení rychlosti odstředování  
Funkce

### Prací prostředky a prádlo, 58

Dávkovač pracích prostředků  
Příprava prádla  
Oděvy vyžadující zvláštní péči  
Systém automatického vyvážení náplně

### Poruchy a způsob jejich odstranění, 59

### Servisní služba, 60

# Instalace

CZ

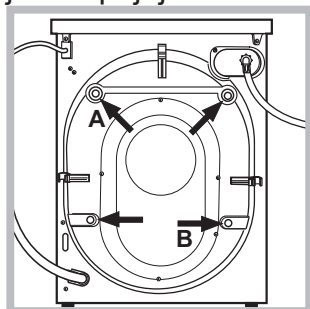
! Je důležité uschovat tento návod tak, abyste jej mohli kdykoli konzultovat. V případě prodeje, darování nebo přestěhování pračky se ujistěte, že zůstane uložen v blízkosti pračky, aby mohl posloužit novému majiteli při seznámení s její činností a s příslušnými upozorněními.

! Pozorně si přečtěte uvedené pokyny: obsahují důležité informace týkající se instalace, použití a bezpečnosti při práci.

## Rozbalení a vyrovnaní do vodorovné polohy

### Rozbalení

1. Rozbalte pračku.
2. Zkontrolujte, zda během přepravy nedošlo k jejímu poškození. V případě, že je poškozena, ji nezapojujte a obraťte se na prodejce.



3. Odstraňte 4 šrouby chránící před poškozením během přepravy a gumovou podložku s příslušnou rozpěrkou, které se nacházejí v zadní části (viz obrázek).

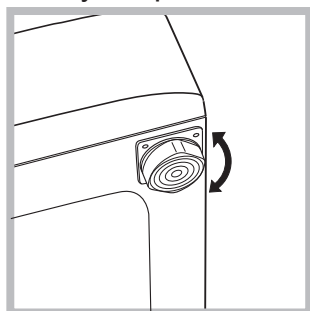
4. Uzavřete otvory po šroubech plastovými krytkami z příslušenství.
5. Uschovejte všechny díly: v případě opětovné přepravy pračky je bude třeba namontovat zpět.

! Pokaždé, když je třeba zařízení nahnout nebo přesunout, je třeba kvůli zajištění neporušenosti vnitřních součástí namontovat zpět šrouby, gumovou podložku a rozpěrku do poloh **A** a **B**. Po provedení potřebných operací je nezapomeňte znovu odmontovat.

! Obaly nejsou hračky pro děti!

### Vyrovnaní do vodorovné polohy

1. Pračku je třeba umístit na rovnou a pevnou podlahu, aniž by se opírala o stěnu, nábytek či něco jiného.

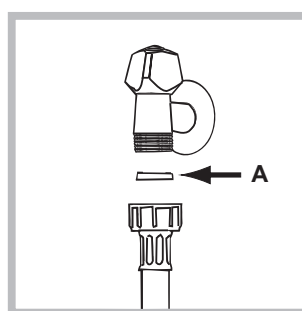


2. V případě, že podlaha není dokonale vodorovná, mohou být případné rozdíly vykompenzovány šroubováním předních nožek (viz obrázek); Úhel sklonu, naměřený na pracovní ploše, nesmí přesáhnout 2°.

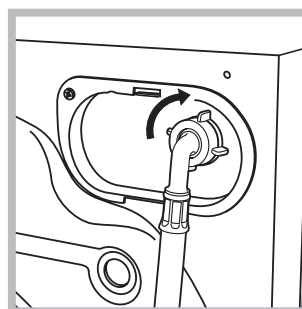
Dokonalé vyrovnaní do vodorovné polohy zabezpečí stabilitu zařízení a zamezí vzniku vibrací a hluku během činnosti. V případě instalace na podlahovou krytinu nebo na koberec nastavte nožky tak, aby pod pračkou zůstal dostatečný volný prostor pro ventilaci.

## Připojení k elektrické a k vodovodní síti

### Připojení přítokové hadice vody



1. Vložte těsnění **A** do koncové části přítokové hadice a připevněte ji k uzávěru studené vody se závitem 3/4" (viz obrázek). Před připojením hadice nechte vodu odtéci, dokud nebude průzračná.



2. Připojte přítokovou hadici k pračce prostřednictvím příslušné přípojky na vodu, umístěné vpravo nahoře (viz obrázek).

3. Dbejte na to, aby hadice nebyla příliš ohnutá ani stlačená.

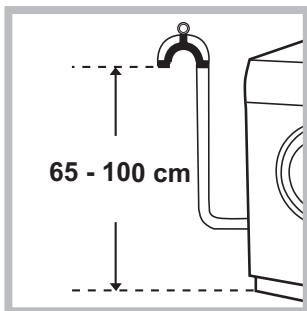
! Tlak v rozvodu vody se musí pohybovat v rozmezí hodnot uvedených v tabulce s technickými údaji (viz vedlejší strana).

! V případě, že délka přítokové hadice nebude dostatečná, obraťte se na specializovanou prodejnu nebo na autorizovaný technický personál.

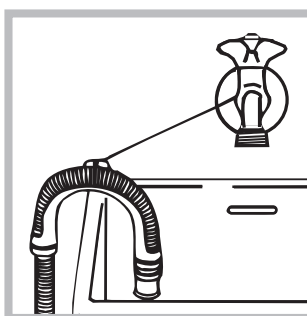
! Nikdy nepoužívejte již použité hadice.

! Používejte hadice z příslušenství zařízení.

## Připojení vypouštěcí hadice



Připojte vypouštěcí hadici, aniž byste ji ohýbali, k odpadovému potrubí nebo k odpadu ve stěně, který se nachází od 65 do 100 cm nad zemí;



nebo ji uchyťte k okraji umývadla či vany a připevněte vodící držák z příslušenství ke kohoutu (viz obrázek). Volný konec vypouštěcí hadice nesmí zůstat ponořený do vody.

! Použití prodlužovacích hadic se nedoporučuje; je-li však nezbytné, prodlužovací hadice musí mít stejný průměr jako originální hadice a její délka nesmí přesáhnout 150 cm.

## Připojení k elektrické síti

Před zasunutím zástrčky do zásuvky se ujistěte, že:

- Je zásuvka uzemněna a že vyhovuje normám;
- je zásuvka schopna snést maximální zátěž odpovídající jmenovitému příkonu zařízení, uvedenému v tabulce s technickými údaji (viz vedle);
- hodnota napájecího napětí odpovídá údajům uvedeným v tabulce s technickými údaji (viz vedle);
- je zásuvka kompatibilní se zástrčkou pračky. V opačném případě je třeba vyměnit zásuvku nebo zástrčku.

! Pračka nesmí být umístěna venku – pod širým nebem, a to ani v případě, že by se jednalo o místo chráněné před nepřízní počasí, protože je velmi nebezpečné vystavit ji působení deště a bouří.

! Po definitivní instalaci pračky musí zásuvka zůstat snadno přístupná.

! Nepoužívejte prodlužovací kabely a rozvodky.

! Kabel nesmí být ohnutý ani stlačený.

! Výměna kabelu musí být svěřena výhradně autorizovanému technickému personálu.

Upozornění! Výrobce neponese žádnou odpovědnost za následky nerespektování uvedených předpisů.

## První prací cyklus

Po instalaci zařízení je třeba ještě předtím, než je použijete na praní prádla, provést jeden zkušební cyklus s pracím prostředkem a bez náplně prádla nastavením pracovního programu 2.

Technické údaje	
<b>Model</b>	IWUD 41252
<b>Rozměry</b>	šířka 59,5 cm výška 85 cm hloubka 33 cm
<b>Kapacita</b>	od 1 do 4 kg
<b>Napájení</b>	Viz štítek s technickými údaji, aplikovaný na zařízení.
<b>Připojení k rozvodu vody</b>	maximální tlak 1 MPa (10 bar) minimální tlak 0.05 MPa (0.5 bar) kapacita bubnu 27 litrů
<b>Rychlost odstředování</b>	až do 1200 otáček za minutu
<b>Kontrolní programy podle směrnic 1061/2010 a 1015/2010</b>	program 2; standardní program pro bavlnu pro praní při 60°C. program 3; standardní program pro bavlnu pro praní při 40°C.
	Toto zařízení odpovídá následujícím normám Evropské unie: - 2004/108/CE (Elektromagnetická kompatibilita) - 2006/95/CE (Nízké napětí) - 2012/19/EU
<b>Hlučnost (dB(A) re 1 pW)</b>	Praní: 59 Odstředování: 77

# Údržba a péče

CZ

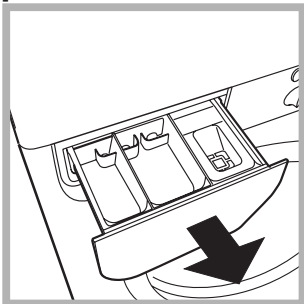
## Uzavření přívodu vody a vypnutí elektrického napájení

- Po každém praní uzavřete přívod vody. Tímto způsobem dochází k omezení opotřebení pračky a ke snížení nebezpečí úniku vody.
- Před zahájením čištění pračky a během operací údržby vytáhněte zástrčku napájecího kabelu z elektrické zásuvky.

## Čištění pračky

Vnější části a části z gumy se mohou čistit hadrem navlhčeným ve vlažné vodě a saponátu. Nepoužívejte rozpouštědla ani abrazivní látky.

## Čištění dávkovače pracích prostředků



Vytáhněte dávkovač jeho nadzvednutím a vytažením směrem ven (viz obrázek). Umyjte jej pod proudem vody; tento druh vyčištění je třeba provádět pravidelně.

## Péče o dvířka a buben

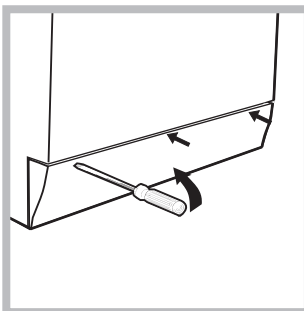
- Dvířka ponechte pokaždé pootevřená, aby se zabránilo tvorbě nepříjemných zápachů.

## Čištění čerpadla

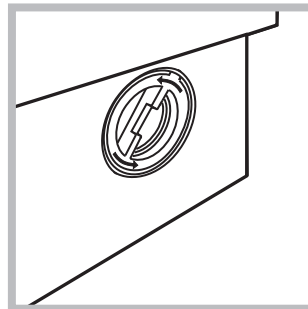
Součástí pračky je samočisticí čerpadlo, které nevyžaduje údržbu. Může se však stát, že se v jeho vstupní části, určené k jeho ochraně a nacházející se v jeho spodní části, zachytí drobné předměty (mince, knoflíky).

! Ujistěte se, že byl prací cyklus ukončen, a vytáhněte zástrčku ze zásuvky.

Přístup ke vstupní části čerpadla:



1. pomocí šroubováku odstraňte krycí panel nacházející se v přední části pračky (viz obrázek);



2. odšroubujte víko jeho otáčením proti směru hodinových ručiček (viz obrázek): vytečení malého množství vody je zcela běžným jevem;

3. dokonale vyčistěte vnitřek;
4. zašroubujte zpět víko;
5. namontujte zpět panel, přičemž se před jeho přisunutím k zařízení ujistěte, že došlo ke správnému zachycení háčků do příslušných podélných otvorů.

## Kontrola přítokové hadice na vodu

Stav přítokové hadice je třeba kontrolovat alespoň jednou ročně. Jsou-li na ní viditelné praskliny nebo trhliny, je třeba ji vyměnit: silný tlak působící na hadici během pracího cyklu by mohl způsobit její náhlé roztržení.

! Nikdy nepoužívejte již použité hadice.

! Pračka byla navržena a vyrobena v souladu s platnými mezinárodními bezpečnostními předpisy. Tato upozornění jsou uváděna z bezpečnostních důvodů a je třeba si je pozorně přečíst.

## Základní bezpečnostní pokyny

- Toto zařízení bylo navrženo výhradně pro použití v domácnosti.
- Toto zařízení mohou používat děti od 8 let a osoby se sníženými fyzickými, sensorickými nebo duševními schopnostmi nebo osoby s nedostatečnými zkušenostmi a znalostmi, když se nacházejí pod náležitým dohledem nebo když byly náležitě vyškoleny ohledně bezpečného použití zařízení a uvědomují si související nebezpečí. Děti si nesmí hrát se zařízením. Děti nesmí provádět operace údržby a čištění bez dohledu.
- Nedotýkejte se zařízení bosí nebo v případě, že máte mokré ruce či nohy.
- Nevytahujte zástrčku ze zásuvky tahem za kabel, ale uchopením za zástrčku.
- Neotvírejte dávkovač pracích prostředků během činnosti zařízení.
- Nedotýkejte se odčerpávané vody, protože může mít velmi vysokou teplotu.
- Nepokoušejte se o násilné otevření dvířek: mohlo by dojít k poškození bezpečnostního uzávěru, který zabraňuje náhodnému otevření.
- Při výskytu poruchy se v žádném případě nepokoušejte o opravu vnitřních částí zařízení.
- Vždy mějte pod kontrolou děti a zabraňte tomu, aby se přibližovaly k zařízení během pracovního cyklu.
- Během pracovního cyklu mají dvířka tendenci ohřát se.
- V případě potřeby přemístujte pračku ve dvou nebo ve třech a věnujte celé operaci maximální pozornost. Nikdy se nepokoušejte zařízení přemísťovat sami, je totiž velmi těžké.
- Před zahájením vkládání prádla zkontrolujte, zda je buben prázdný.

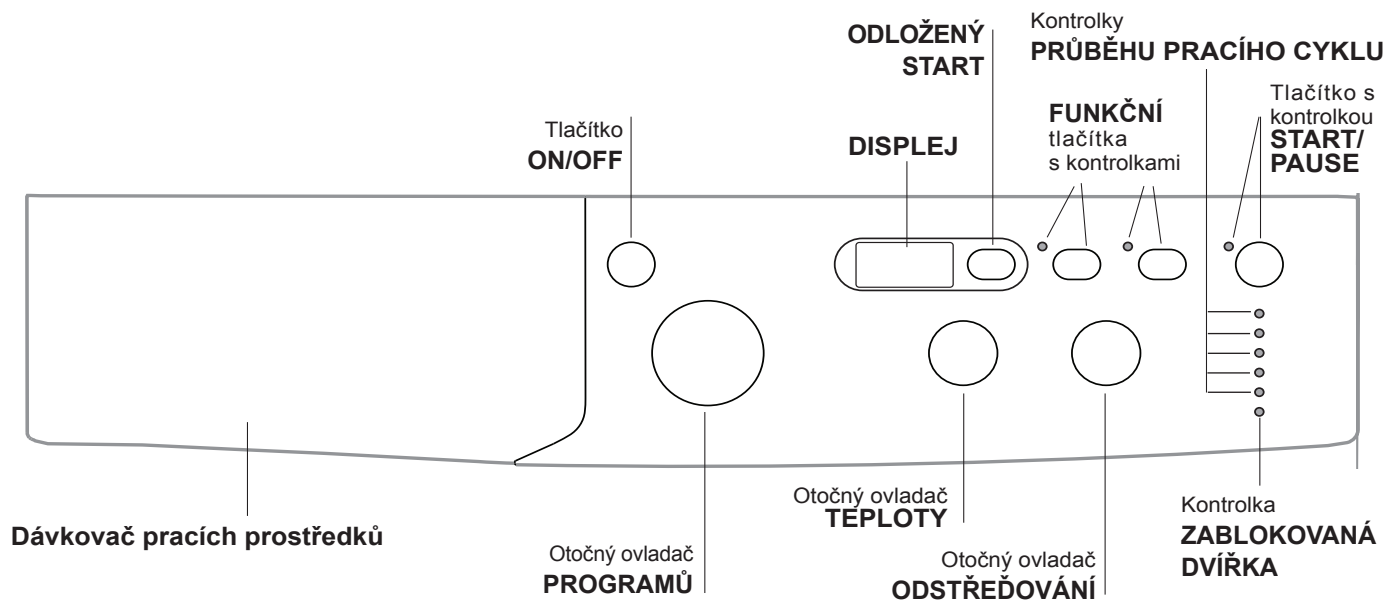
## Likvidace

- Likvidace obalových materiálů: při jejich odstranění postupujte v souladu s místními předpisy a dbejte na možnou recyklaci.
- Evropská směrnice 2012/19/EU o odpadních elektrických a elektronických zařízeních stanovuje, že staré domácí elektrické spotřebiče nesmí být odkládány do běžného netříděného domovního odpadu. Staré spotřebiče musí být odevzdány do odděleného sběru, a to za účelem recyklace a optimálního využití materiálů, které obsahují, a z důvodu předcházení negativním dopadům na lidské zdraví a životní prostředí. Symbol "přeškrtnuté popelnice" na výrobku vás

upozorňuje na povinnost odevzdat zařízení po skončení jeho životnosti do odděleného sběru. Spotřebitelé by měli kontaktovat příslušné místní úřady nebo svého prodejce ohledně informací týkajících se správné likvidace starého zařízení.

# Popis pračky a zahájení pracího programu

## Ovládací panel



**Dávkovač pracích prostředků:** slouží k dávkování pracích prostředků a přídatných prostředků (viz „Prací prostředky a prádlo“).

Tlačítko **ON/OFF**: slouží k zapnutí a vypnutí pračky.


Otočný ovladač **PROGRAMŮ**: pro nastavení pracích programů. Během pracího programu zůstane ve stejné poloze.

**FUNKČNÍ** tlačítka s kontrolkami: slouží k volbě jednotlivých dostupných funkcí. Kontrolka zvolené funkce zůstane rozsvícena.

Otočný ovladač **ODSTŘEDOVÁNÍ**: slouží k nastavení odstředování nebo k jeho vyloučení (viz „Uživatelská nastavení“).

Otočný ovladač **TEPLoty**: slouží k nastavení teploty praní nebo praní ve studené vodě (viz „Uživatelská nastavení“).


**DISPLEJ**: slouží k zobrazení doby trvání různých programů, které jsou k dispozici, a po zahájení cyklu i zbývající doby ukončení probíhajícího programu; v případě nastavení **ODLOŽENÝ START** bude zobrazena doba chybějící do zahájení zvoleného programu.

**ODLOŽENÝ START** : stiskněte za účelem nastavení odloženého startu zvoleného programu. Doba, o kterou bude start odložen, bude zobrazena na displeji.

Kontrolky **PRŮBĚHU PRACÍHO CYKLU**: slouží ke kontrole průběhu pracího programu. Rozsvícená kontrolka poukazuje na probíhající fázi.

Kontrolka **ZABLOKOVANÁ DVÍŘKA**: informuje o tom, zda je možné otevřít dvířka (viz *vedlejší strana*).

Tlačítko s kontrolkou **START/PAUZA**: Slouží ke spuštění nebo dočasnému přerušení programů.

**POZN.:** Stisknutí tohoto tlačítka slouží k přerušení probíhajícího praní; příslušná kontrolka bude blikat oranžovým světlem, zatímco kontrolka probíhající fáze zůstane rozsvícena stálým světlem. Když bude kontrolka **ZABLOKOVANÁ DVÍŘKA**  zhasnuta, bude možné otevřít dvířka. Za účelem opětovného zahájení praní z bodu, ve kterém bylo přerušeno, znovu stiskněte toto tlačítko.

### Pohotovostní režim

Za účelem shody s novými předpisy souvisejícími s energetickou úsporou je tato pračka vybavena systémem automatického vypnutí (přechodu do pohotovostního režimu – standby), který je aktivován po uplynutí 30 minut, když se pračka nepoužívá. Krátce stiskněte tlačítko **ON/OFF** a vyčkejte na obnovení činnosti zařízení.

*Spotřeba v off-mode: 0,5 W*

*Spotřeba v Left-on: 8 W*






## Kontrolky

Kontrolky jsou zdrojem důležitých informací. Informují nás o následujících skutečnostech:

### Kontrolka aktuální fáze pracího programu:

Po zvolení a zahájení požadovaného pracího cyklu dojde k postupnému rozsvícení kontrolky informující o jeho průběhu.

Praní	
Máchání	
Odstředování	
Odčerpání vody	
Ukončení praní	

### Funkční tlačítka a příslušné kontrolky

Po zvolení konkrétní funkce dojde k rozsvícení příslušné kontrolky.


V případě, že zvolená funkce není kompatibilní s nastaveným pracím programem, příslušná kontrolka začne blikat a funkce nebude aktivována.

V případě, že zvolená funkce není kompatibilní s jinou předem zvolenou funkcí, kontrolka první funkce bude blikat a bude aktivována pouze druhá, přičemž kontrolka zvolené funkce se rozsvítí stálým světlem.

### Kontrolka zablokovaných dvířek

Rozsvícení této kontrolky poukazuje na to, že dvířka jsou zajištěna kvůli zamezení náhodnému otevření; aby se zabránilo poškození dvířek, před jejich otevřením je třeba vyčkat, dokud uvedená kontrolka nezhasne; (vyčkejte přibližně 3 minuty). Za účelem otevření dvířek v průběhu pracího cyklu stiskněte tlačítko START/PAUSE; když bude kontrolka ZABLOKOVANÁ DVÍŘKA zhasnutá, bude možné otevřít dvířka.

## Zahájení pracího programu

1. Zapněte pračku stisknutím tlačítka ON/OFF. Všechny kontrolky se rozsvítí na několik sekund, poté se zhasnou a bude blikat kontrolka START/PAUSE.
2. Naplňte pračku a zavřete dvířka.
3. Otočným ovladačem PROGRAMŮ nastavte požadovaný prací program.
4. Nastavte teplotu praní (viz „Uživatelská nastavení“).
5. Nastavte rychlost odstředování (viz „Uživatelská nastavení“).
6. Nadávkujte prací prostředek a přídatné prostředky (viz „Prací prostředky a prádlo“).
7. Zvolte požadované funkce.
8. Zahajte prací program stisknutím tlačítka START/PAUSE a příslušná kontrolka zůstane rozsvícena stálým světlem zelené barvy. Zrušení nastaveného pracího cyklu se provádí přerušením činnosti zařízení stisknutím tlačítka START/PATA a volbou nového cyklu.
9. Po ukončení pracího programu se rozsvítí kontrolka END. Po zhasnutí kontrolky ZABLOKOVANÁ DVÍŘKA  bude možné otevřít dvířka. Vytáhněte prádlo a nechte dvířka pootevřená, aby bylo umožněno vysušení bubnu. Vypněte pračku stisknutím tlačítka ON/OFF.

# Prací programy

CZ

## Tabulka pracích programů

Programy	Popis programu	Max. teplota (°C)	Max. rychlost (otáčky za minutu)	Prací prostředky			Max. náplň (kg)	Zbytková vlhkost %	Spotřeba energie kWh	Celkové množství vody lt	Cycle duration
				Předpraní	Praní	Aviváž					
<b>Programy pro každodenní praní (Daily)</b>											
1	Bavlna + předpraní: mimořádně znečištěné bílé prádlo.	90°	1200	●	●	●	4	53	1,46	44	140'
2	Standardní program pro bavlnu pro praní při 60°C (1): silně znečištěné bílé a barevné prádlo z odolných tkanin.	60° (Max. 90°)	1200	-	●	●	4	53	0,67	32	160'
3	Standardní program pro bavlnu pro praní při 40°C (2): silně znečištěné bílé a barevné choulostivé prádlo.	40°	1200	-	●	●	4	53	0,60	46	150'
4	Syntetika: velmi znečištěné barevné prádlo z odolných tkanin.	60°	800	-	●	●	2	42	0,67	26	95'
4	Syntetika (3): částečně znečištěné barevné prádlo z odolných tkanin.	40°	800	-	●	●	2	42	0,42	27	85'
5	Barevná bavlna: málo znečištěné bílé a barevné choulostivé prádlo.	40°	1200	-	●	●	4	53	0,65	32	85'
<b>20° Zone</b>											
6	Standardní program pro bavlnu pro praní při 20°C: silně znečištěné bílé a barevné choulostivé prádlo.	20°	1200	-	●	●	4	-	-	-	160'
7	Mix Light	20°	800	-	●	●	4	-	-	-	105'
8	20' Refresh	20°	800	-	●	●	1,5	-	-	-	20'
<b>Speciální programy (Special)</b>											
9	Hedvábí/Záclony: pro prádlo z hedvábí, viskózy, spodní prádlo.	30°	0	-	●	●	1	-	-	-	50'
10	Vlna: pro vlnu, kašmír atd.	40°	800	-	●	●	1	-	-	-	55'
11	Jeans	40°	800	-	●	●	1,5	-	-	-	70'
<b>Sport</b>											
12	Sport Intensive	30°	600	-	●	●	1,5	-	-	-	80'
13	Sport Light	30°	600	-	●	●	1,5	-	-	-	55'
14	Sport Shoes	30°	600	-	●	●	Max. 2 páry.	-	-	-	50'
<b>Dílicí programy</b>											
	Máchání	-	1200	-	-	●	4	-	-	-	36'
	Odšťědování + Odčerpání vody	-	1200	-	-	-	4	-	-	-	16'

Doba trvání cyklu uvedená na displeji nebo v návodu představuje odhad vypočítaný na základě standardních podmínek. Skutečná doba se může měnit v závislosti na četných faktorech, jako je např. teplota a tlak vody na vstupu, teplota prostředí, množství pracího prostředku, množství a druh náplně, vyvážení náplně a zvolené volitelné funkce.

### 1) Kontrolní program podle normy 1061/2010: nastavte program 2 s teplotou 60°C.

Tento cyklus je vhodný pro praní běžně znečištěné bavlny a jedná se o neúčinnější cyklus z hlediska kombinované spotřeby energie a vody určený pro prádlo, které lze prát při teplotě do 60 °C. Skutečná teplota praní se může lišit od uvedené.

### 2) Kontrolní program podle normy 1061/2010: nastavte program 3 s teplotou 40°C.

Tento cyklus je vhodný pro praní běžně znečištěné bavlny a jedná se o neúčinnější cyklus z hlediska kombinované spotřeby energie a vody určený pro prádlo, které lze prát při teplotě do 40°C. Skutečná teplota praní se může lišit od uvedené.

### Pro všechny Kontrolní ústavy:

2) Dlouhý program na praní bavlny: nastavte program 3 s teplotou 40°C.

3) Syntetický program spolu: nastavte program 4 s teplotou 40°C.

**Sport Intensive** (program 12) byl navržen pro velmi znečištěné látky sportovního oblečení (teplákové soupravy, šortky apod.); pro dosažení optimálních výsledků se doporučuje nepřekračovat maximální náplň uvedenou v "Tabulka pracích programů".

**Sport Light** (program 13) byl navržen pro mírně znečištěné látky sportovního oblečení (teplákové soupravy, šortky apod.); pro dosažení optimálních výsledků se doporučuje nepřekračovat maximální náplň uvedenou v "Tabulka pracích programů".

Doporučuje se použít tekuté prací prostředky a použít dávku vhodnou pro poloviční náplň.

**Sport Shoes** (program 14) byl navržen pro praní sportovní obuvi; pro dosažení optimálních výsledků neperte více než 2 páry najednou.

**Programy 20°** (20° Zone) nabízejí dobrou výkonnost praní při nízkých teplotách, přičemž umožňují nižší použití elektrické energie s výhodami pro finanční úsporu i pro životní prostředí. Programy 20° vyhovují všem požadavkům:

**Standardní program pro bavlnu pro praní při 20°C** (program 6) ideální pro náplně ze znečištěné bavlny. Dobrá výkonnost i za studena, srovnatelná s praním při 40 °C, je zaručena mechanickým působením, které je založeno na změně rychlosti v krátkých nebo dlouhých intervalech.

**Mix Light** (program 7) ideální pro smíšené náplně (bavlna a syntetika), tvořené středně znečištěným prádlem. Dobrá výkonnost praní i za studena je zaručena mechanickým působením, které je založeno na změně rychlosti ve středních nebo určených intervalech.

**20' Refresh** (program 8) osvěžení ideální cyklus pro osvěžení a praní mírně znečištěného prádla v průběhu pár minut. Trvá pouze 20 minut a šetří tak čas i energii. Umožňuje prát dohromady tkaniny různého druhu (s výjimkou vlny a hedvábí) při náplni nepřesahující 1,5 kg.

## Nastavení teploty

Otáčením otočného ovladače TEPLŮTY se nastavuje teplota praní (viz *Tabulka programů*).

Teplota může být postupně snižována až po praní ve studené vodě (❄).

Zařízení automaticky zabrání nastavení vyšší teploty, než je maximální teplota pro každý prací program.

! Výjimka: při volbě programu **2** bude možné zvýšit teplotu až na 90°C.

## Nastavení odstředování

Otáčením otočného ovladače ODSTŘEĐOVÁNÍ se nastavuje rychlost odstředování zvoleného pracího programu.

Maximální rychlosti pro jednotlivé prací programy jsou:

Programy	Maximální rychlost
Bavlna	1200 otáček za minutu
Syntetika	800 otáček za minutu
Vlna	800 otáček za minutu
Hedvábí	pouze odčerpání vody

Rychlost odstředování může být snížena nebo může být odstředování vyloučeno volbou symbolu .

Zařízení automaticky zabrání odstředování vyšší rychlostí, než je maximální rychlost pro každý prací program.

## Funkce


Jednotlivé funkce, kterými pračka disponuje, umožňují dosáhnout požadovaného stupně čistoty a bělosti praného prádla.

Způsob aktivace jednotlivých funkcí:

1. stiskněte příslušné tlačítko požadované funkce;
2. rozsvícení příslušné kontrolky signalizuje, že došlo k aktivaci zvolené funkce.

**Poznámka:** Rychlé blikání kontrolky poukazuje na to, že příslušná funkce je nepoužitelná během nastaveného pracího programu.

## Odložený start

Pro nastavení odloženého startu zvoleného programu stiskněte příslušné tlačítko až do dosažení požadované doby odložení. Po zvolení této volitelné funkce se zobrazí symbol . Zrušení odloženého startu se provádí stisknutím tlačítka až do zobrazení nápisu OFF.

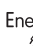
! Je aktivní u všech pracích programů.



## EcoTime

Volbou této volitelné funkce se bude mechanický pohon, teplota a voda optimalizovat pro sníženou náplň mírně znečištěné bavlny a syntetických materiálů "*Tabulka pracích programů*". Při použití "EcoTime" můžete pracovat s kratšími dobami a ušetřit vodu a energii. Doporučuje se používat dávku tekutého pracího prostředku vhodnou pro naplněné množství.

! Tato funkce není použitelná u programů 1, 6, 7, 8, 9, 10, 11, 12, 13, 14, , .

## Energy Savér

Funkce  <sup>Energy Savér</sup> přispívá k energetické úspoře tím, že neohřívá vodu použitou pro praní prádla – jedná se o výhodu pro životní prostředí i pro účet za elektrickou energii. Zesílený účinek a optimalizovaná spotřeba vody vskutku zaručují optimální výsledky během stejné průměrné doby odpovídající standardnímu cyklu. Pro dosažení lepších výsledků praní se doporučuje použít tekutý prací prostředek.

! Tato funkce není použitelná u programů 1, 6, 7, 8, 9, 10, 12, 13, 14, , .

# Prací prostředky a prádlo

CZ

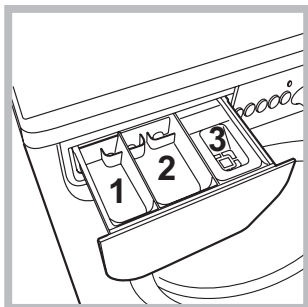
## Dávka vač pracích prostředků

Dobrý výsledek praní závisí také na správném dávkování pracího prostředku: použití jeho nadměrného množství snižuje efektivitu praní a napomáhá tvorbě vodního kamene na vnitřních částech pračky a zvyšuje znečištění životního prostředí.

! Nepoužívejte prací prostředky určené pro ruční praní, protože způsobují tvorbu nadměrného množství pěny.

! Pro předpírku a praní při teplotě vyšší než 60 °C používejte práškové prací prostředky pro bílé bavlněné prádlo.

! Dodržujte pokyny uvedené na obalu pracího prostředku.



Při vytahování dávkovače pracích prostředků a při jeho plnění pracími nebo přídatnými prostředky postupujte následovně.

**příhrádka 1: Prací prostředek (práškový) pro předpírání**

**příhrádka 2: Prací prostředek (práškový anebo tekutý) pro praní**

Tekutý prací prostředek se nalévá pouze těsně před uvedením do chodu.

**příhrádka 3: Přídatné prostředky (aviváž, atd.)**

Aviváž nesmí vytékat z mřížky.

## Příprava prádla

- Roztřídte prádlo podle:
  - druhu tkaniny / symbolu na visačce.
  - barvy: oddělte barevné prádlo od bílého.
- Vyprázdněte kapsy a zkontrolujte knoflíky.
- Nepřekračujte hodnoty povolené náplně, uvedené v „*Tabulka pracích programů*“, vztahující se na hmotnost suchého prádla.


## Kolik váží prádlo?

- 1 prostěradlo 400-500 g
- 1 povlak na polštář 150-200 g
- 1 ubrus 400-500 g
- 1 župan 900-1.200 g
- 1 ručník 150-250 g

## Oděvy vyžadující zvláštní péči

**Hedvábí:** použijte příslušný program **9** pro praní všeho prádla z hedvábí. Doporučujeme použití pracího prostředku pro choulostivé prádlo.

**Záclony:** přehnout je a uložit dovnitř povlaku na polštář anebo do sáčku ze síťoviny. Použijte program **9**.

**Vlna:** S programem **10** je možné prát v pračce všechny druhy vlněného prádla, také ty, které jsou označeny visačkou „prát pouze v ruce“ . Pro dosažení optimálních výsledků používejte specifický prací prostředek a nepřekračujte 1 kg prádla.

**Jeans:** převraťte prádlo naruby a použijte tekutý prací prostředek. Použijte program **11**.

## System automatického vyvážení náplně

Před každým odstředováním provede otáčení rychlostí lehce převyšující rychlost praní, aby se odstranily vibrace a aby se náplň rovnoměrně rozložila. V případě, že po několikanásobných pokusech o vyvážení prádlo ještě nebude správně vyváženo, zařízení provede odstředování nižší rychlostí, než je přednastavená rychlost. Za přítomnosti nadměrného nevyvážení pračka provede namísto odstředování vyvážení. Za účelem dosažení rovnoměrnějšího rozložení náplně a jejího správného vyvážení se doporučuje míchat velké a malé kusy prádla.

Může se stát, že pračka nebude fungovat. Dříve, než zatelefonujete na Servisní službu (viz „*Servisní služba*“), zkontrolujte, zda se nejedná o problém, který lze snadno vyřešit s pomocí následujícího seznamu.

## Poruchy:

## Možné příčiny / Způsob jejich odstranění:

### Pračku nelze zapnout.

- Zástrčka není zasunuta v zásuvce nebo není zasunuta natolik, aby došlo ke spojení kontaktů.
- V celém domě je vypnutý proud.

### Nedochází k zahájení pracího cyklu.

- Nejsou řádně zavřená dvířka.
- Nebylo stisknuto tlačítko ON/OFF.
- Nebylo stisknuto tlačítko START/PAUSE.
- Nebyl otevřen kohout přívodu vody.
- Byl nastaven odložený start (viz „*Uživatelská nastavení*“).

### Pračka nenapouští vodu (Na displeji se zobrazí blikající nápis „H2O“).

- Přívodní hadice není připojena k vodovodnímu kohoutu.
- Hadice je příliš ohnutá.
- Nebyl otevřen kohout přívodu vody.
- V celém domě je uzavřený přívod vody.
- V rozvodu vody není dostatečný tlak.
- Nebylo stisknuto tlačítko START/PAUSE.

### Dochází k nepřetržitému napouštění a odčerpávání vody.

- Vypouštěcí hadice se nachází mimo určené rozmezí od 65 do 100 cm nad zemí (viz „*Instalace*“).
  - Koncová část vypouštěcí hadice je ponořena ve vodě (viz „*Instalace*“).
  - Odpad ve stěně není vybaven odvzdušňovacím otvorem.
- Když ani po uvedených kontrolách nedojde k odstranění problému, uzavřete přívod vody, vypněte pračku a přivolejte Servisní službu. V případě, že se byt nachází na jednom z nejvyšších poschodí, je možné, že dochází k sifonovému efektu, jehož následkem pračka nepřetržitě napouští a odčerpává vodu. Pro odstranění uvedeného efektu jsou v prodeji běžně dostupné speciální protisifonové ventily.

### Nedochází k vyčerpání vody nebo k odstředování.

- Odčerpání vody netvoří součást nastaveného programu: u některých programů je třeba jej aktivovat manuálně.
- Vypouštěcí hadice je ohnutá (viz „*Instalace*“).
- Odpadové potrubí je ucpáno.

### Během odstředování je možné pozorovat silné vibrace pračky.

- Během instalace nebyl buben odjištěn předepsaným způsobem (viz „*Instalace*“).
- Pračka není dokonale vyrovnaná do vodorovné polohy (viz „*Instalace*“).
- Pračka je stlačena mezi nábytkem a stěnou (viz „*Instalace*“).

### Dochází k úniku vody z pračky.

- Přítoková hadice není správně zašroubována (viz „*Instalace*“).
- Dávkovač pracích prostředků je ucpán (způsob jeho vyčištění je uveden v části „*Údržba a péče*“).
- Vypouštěcí hadice není upevněna předepsaným způsobem (viz „*Instalace*“).

### Kontrolky „volitelné funkce“ a kontrolka „START/PAUSE“ blikají a jedna z kontrolek „probíhající fáze“ a „zablokovaná dvířka“ se rozsvítí stálým světlem.

- Vypněte zařízení a vytáhněte zástrčku ze zásuvky, vyčkejte přibližně 1 minutu a opětovně jej zapněte.
- Když porucha přetrvává, obraťte se na Servisní službu.

### Dochází k tvorbě nadměrného množství pěny.

- Použitý prací prostředek není vhodný pro použití v automatické pračce (musí obsahovat označení „pro praní v pračce“, „pro ruční praní nebo pro praní v pračce“ nebo podobné označení).
- Bylo použito jeho nadměrné množství.

# Servisní služba

CZ

## Před přivoláním Servisní služby:

- Zkontrolujte, zda nejste schopni poruchu odstranit sami (viz „Poruchy a způsob jejich odstranění“);
- Opětovně uveďte do chodu prací program, abyste ověřili, zda byla porucha odstraněna;
- V opačném případě se obraťte na Centrum servisní služby na telefonním čísle uvedeném na záručním listu.

! Nikdy se neobracejte s žádostí o pomoc na techniky, kteří nejsou k výkonu této činnosti oprávněni.

## Při hlášení poruchy uveďte:

- druh poruchy;
- model zařízení (Mod.);
- výrobní číslo (S/N).

Tyto informace jsou uvedeny na štítku aplikovaném na zadní části pračky a v její přední části, dostupné po otevření dvířek.

## NAŘÍZENÍ KOMISE V PŘENESENÉ PRÁVOMOCI (EU) č. 1061/2010

Značka	INDESIT
Model	IWUD 41252 C ECO EU
Jmenovitá kapacita bavlněné látky v kg	4,0
Třída energetické účinnosti na stupnici A+++ (nejnižší spotřeba) až G (vysoká spotřeba)	A++
Roční spotřeba energie v kWh <sup>1)</sup>	124,0
Spotřeba energie standardního programu pro bavlnu pro praní při 60 °C s celou náplní v kWh <sup>2)</sup>	0,67
Spotřeba energie standardního programu pro bavlnu pro praní při 60 °C s poloviční náplní v kWh <sup>2)</sup>	0,445
Spotřeba energie standardního programu pro bavlnu pro praní při 40 °C s poloviční náplní v kWh <sup>2)</sup>	0,385
Vážená spotřeba energie ve vypnutém stavu ve W	0,5
Vážená spotřeba energie v režimu ponechání v zapnutém stavu ve W	8,0
Roční spotřeba vody v litrech <sup>3)</sup>	5720
Třída účinnosti sušení odstředováním na stupnici od G (nejmenší účinnost) do A (nejvyšší účinnost)	B
Maximální otáčky při odstředování <sup>4)</sup>	1200
Zbytkový obsah vlhkosti v % <sup>5)</sup>	53%
Trvání „standardního programu pro bavlnu pro praní při 60 °C“ s celou náplní v minutách.	160
Trvání „standardního programu pro bavlnu pro praní při 60 °C“ s poloviční náplní v minutách.	110
Trvání „standardního programu pro bavlnu pro praní při 40 °C“ s poloviční náplní v minutách.	105
Trvání režimu ponechání v zapnutém stavu v minutách	30
Emise hluku v dB(A) re 1 pW během praní <sup>6)</sup>	59
Emise hluku v dB(A) re 1 pW během odstředování <sup>6)</sup>	77

<sup>1)</sup> "Standardní program pro bavlnu pro praní při 60 °C" s celou náplní a poloviční náplní a standardní program pro bavlnu pro praní při 40 °C s poloviční náplní jsou standardní prací programy, na které se vztahují informace uvedené na energetickém štítku a v informačním listu. Tyto programy jsou vhodné pro praní běžně znečištěného bavlněného prádla a jedná se o neúčinnější programy z hlediska kombinované spotřeby energie a vody.

<sup>2)</sup> Na základě 220 standardních pracích cyklů s programy pro bavlnu pro praní při 60 °C a 40 °C s celou a poloviční náplní a spotřeba v režimech s nízkou spotřebou energie. Skutečná spotřeba energie bude záviset na tom, jak je spotřebič používán.

<sup>3)</sup> Na základě 220 standardních pracích cyklů s programy pro bavlnu pro praní při 60 °C a 40 °C s celou a poloviční náplní. Skutečná spotřeba vody bude záviset na tom, jak je spotřebič používán.

<sup>4)</sup> U standardního programu pro bavlnu pro praní při 60 °C s celou náplní nebo u standardního programu pro bavlnu pro praní při 40 °C s poloviční náplní podle toho, která hodnota je menší.

<sup>5)</sup> U standardního programu pro bavlnu pro praní při 60 °C s celou náplní nebo u standardního programu pro bavlnu pro praní při 40 °C s poloviční náplní podle toho, která hodnota je větší.

<sup>6)</sup> Během fází praní a odstředování u standardního programu pro bavlnu pro praní při 60 °C s celou náplní.



SK

Slovensky

IWUD 41252

## Obsah

### Inštalácia, 62-63

Rozbalenie a vyrovnanie do vodorovnej polohy  
Pripojenie k elektrickej a k vodovodnej sieti  
Prvý prací cyklus  
Technické údaje

### Údržba a starostlivosť, 64

Uzavretie prívodu vody a vypnutie elektrického napájania  
Čistenie práčky  
Čistenie dávkovača pracích prostriedkov  
Starostlivosť o dvierka a bubon  
Čistenie čerpadla  
Skontrolujte prítokovú hadicu vodu

### Opatrenia a rady, 65

Základné bezpečnostné pokyny  
Likvidácia

### Popis práčky a zahájenie pracieho programu, 66-67

Ovládací panel  
Kontrolky  
Zahájenie pracieho programu

### Pracie programy, 68

Tabuľka pracích programov

### Užívateľské nastavenia, 69

Nastavenie teploty  
Nastavenie odstreďovania  
Funkcie

### Pracie prostriedky a prádlo, 70

Dávkovač pracích prostriedkov  
Príprava prádla  
Prádlo vyžadujúce osobitnú starostlivosť  
Systém automatického vyváženia náplne

### Poruchy a spôsob ich odstránenia, 71

### Servisná služba, 72

# Inštalácia

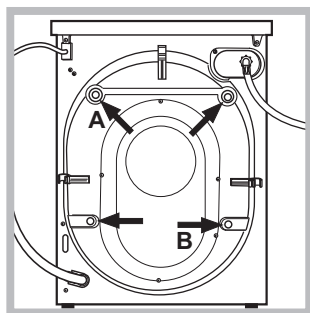
SK

! Je veľmi dôležité uschovať tento návod kvôli prípadnému ďalšiemu použitiu. V prípade predaja, darovania alebo presťahovania práčky sa uistite, že zostane uložený v jej blízkosti, aby mohol poslúžiť novému majiteľovi pri oboznámení sa s činnosťou a s príslušnými upozoreniami. ! Pozorne si prečítajte uvedené pokyny: obsahujú dôležité informácie, týkajúce sa inštalácie, použitia a bezpečnosti pri práci.

## Rozbalenie a vyrovnanie do vodorovnej polohy

### Rozbalenie

1. Rozbaľte práčku.
2. Skontrolujte, či počas prepravy nedošlo k jej poškodeniu. V prípade, že je poškodená, nezapájajte ju a obráťte sa na predajcu.

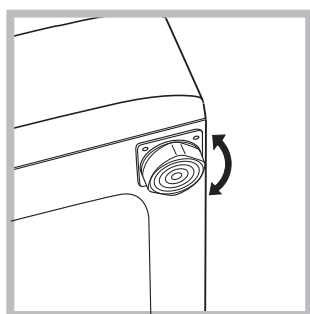


3. Odstráňte 4 skrutky slúžiace na ochranu počas prepravy a gumovú podložku s príslušným dištančným členom, ktoré sa nachádzajú v zadnej časti (viď obrázok).

4. Uzatvorte otvory po skrutkách plastovými krytkami z príslušenstva.
5. Uschovajte všetky diely: v prípade opätovnej prepravy práčky ich bude potrebné opätovne namontovať. ! Vždy, keď má byť zariadenie nahnuté alebo presunuté, je potrebné kvôli zaisteniu neporušenosti vnútorných častí namontovať späť skrutky, gumovú podložku a dištančný člen do polôh A a B. Po vykonaní uvedenej operácie ich nezabudnite odmontovať. ! Obaly nie sú hračky pre deti!

### Vyrovnanie do vodorovnej polohy

1. Práčku je potrebné umiestniť na rovnú a pevnú podlahu tak, aby nebola opretá o stenu, nábytok alebo o niečo iné.

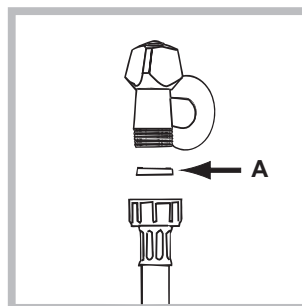


2. V prípade, že podlaha nie je dokonale vodorovná, môžu byť prípadné rozdiely vykompenzované skrutkovaním predných nožičiek (viď obrázok); Uhol sklonu, nameraný na pracovnej ploche, nesmie presiahnuť 2°.

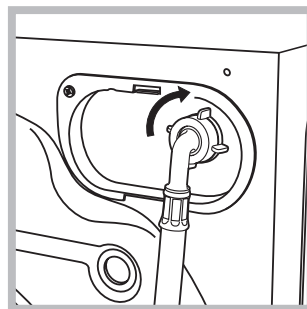
Dokonalé vyrovnanie do vodorovnej polohy zabezpečí stabilitu zariadenia a zamedzí vzniku vibrácií a hluku počas činnosti. V prípade inštalácie na podlahovú krytinu alebo na koberec, nastavte nožičky tak, aby pod práčkou zostal dostatočný voľný priestor na ventiláciu.

## Pripojenie k elektrickej a k vodovodnej sieti

### Pripojenie prítokovej hadice vody



1. Pripojte prívodnú hadicu jej zaskrutkovaním ku kohútiku so studenou vodou s hrdlom so závitom 3/4" (viď obrázok). Pred pripojením hadice nechajte vodu odtiecť, až kým nebude číra.



2. Pripojte prítokovú hadicu k práčke, jej zaskrutkovaním k príslušnej prípojke na vodu, umiestnenej vpravo hore (viď obrázok).

3. Zabezpečte, aby hadica nebola príliš ohnutá alebo stlačená.

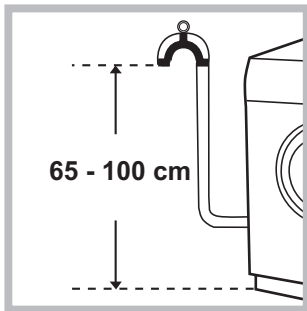
! Tlak v rozvode vody sa musí pohybovať v rozmedzí hodnôt uvedených v tabuľke s technickými údajmi (viď vedľajšia strana).

! V prípade, že dĺžka prítokovej hadice nebude dostatočná, obráťte sa na špecializovanú predajňu alebo na autorizovaný technický personál.

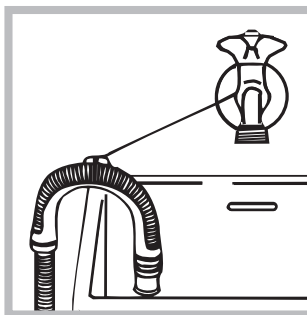
! Nikdy nepoužívajte už použité hadice.

! Používajte hadice z príslušenstva zariadenia.

## Pripojenie vypúšťacej hadice



Pripojte vypúšťaciu hadicu, bez toho aby ste ju ohli, k odpadovému potrubiu alebo k odpadu v stene, ktorý sa nachádza od 65 do 100 cm nad zemou;



alebo ju uchyťte k okraju umývadla či vane, a pripevnite vodiaci držiak z príslušenstva ku kohútu (vid' obrázok). Voľný koniec vypúšťacej hadice nesmie zostať ponorený do vody.

! Použitie predlžovacích hadíc sa neodporúča; ak je však nevyhnutné, predlžovacia hadica musí mať rovnaký priemer ako originálna hadica a jej dĺžka nesmie presiahnuť 150 cm.

## Pripojenie k elektrickej sieti

Pred zasunutím zástrčky do zásuvky sa uistite, že:

- zásuvka je uzemnená a že vyhovuje normám;
- zásuvka je schopná uniesť maximálnu záťaž odpovedajúcu menovitému príkonu zariadenia, uvedenému v tabuľke s technickými údajmi (vid' vedľa);
- hodnota napájacieho napätia odpovedá údajom uvedeným v tabuľke s technickými údajmi (vid' vedľa);
- zásuvka je kompatibilná so zástrčkou práčky. V opačnom prípade je potrebné vymeniť zásuvku alebo zástrčku.

! Práčka nesmie byť umiestnená vonku – pod holým nebom, a to ani v prípade, keby sa jednalo o miesto chránené pred nepriazňou počasia, pretože je veľmi nebezpečné vystaviť ju dažďu a búrkam.

! Po ukončení inštalácie musí zásuvka zostať ľahko prístupná.

! Nepoužívajte predlžovacie káble a rozvodky.

! Kábel nesmie byť ohnutý alebo pritlačený.

! Výmena kábla musí byť zverená výhradne autorizovanému technickému personálu.

Upozornenie! Výrobca neponesie žiadnu zodpovednosť za následky spôsobené nerešpektovaním týchto pokynov.

## Prvý prací cyklus

Po inštalácii zariadenia je potrebné ešte pred jeho použitím vykonať jeden skúšobný cyklus s prácim prostriedkom a bez náplne prádla, nastavením pracieho programu 2.

Technické údaje	
<b>Model</b>	IWUD 41252
<b>Rozmery</b>	šírka 59,5 cm výška 85 cm hĺbka 33 cm
<b>Kapacita</b>	od 1 do 4 kg
<b>Elektrické zapojenie</b>	Vid' štítok s technickými údajmi, aplikovaný na zariadení.
<b>Pripojenie k rozvodu vody</b>	maximálny tlak 1 MPa (10 bar) maximálny tlak 0,05 MPa (0.5 bar) kapacita bubna 27 litrov
<b>Rýchlosť odstredovania</b>	Až do 1200 otáčok za minútu
<b>Kontrolné programy podľa smerníc 1061/2010 a 1015/2010</b>	Program 2: štandardný program pre bavlnu pri 60°C. Program 3: štandardný program pre bavlnu pri 40°C.
	Toto zariadenie je v zhode s nasledujúcimi smernicami Európskej únie: - 2004/108/CE (Elektromagnetická kompatibilita) - 2006/95/CE (Nízke napätie) - 2012/19/EU
<b>Hlučnosť (dB(A) re 1 pW)</b>	Pranie: 59 Odstredovanie: 77

# Údržba a starostlivosť

SK

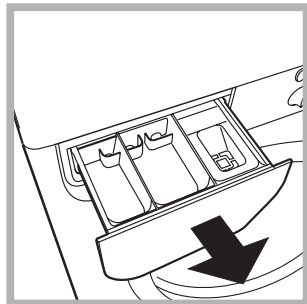
## Uzavretie prívodu vody a vypnutie elektrického napájania

- Po každom praní uzatvorte prívod vody. Týmto spôsobom sa znižuje opotrebenie rozvodu vody zariadenia a znižuje sa nebezpečenstvo úniku vody.
- Pred zahájením čistenia práčky a počas údržby je potrebné vytiahnuť zástrčku prívodného kábla zo zásuvky.

## Čistenie práčky

Vonkajšie časti a časti z gumy môžu byť čistené utierkou navlhčenou vo vlažnej vode a saponáte. Nepoužívajte rozpúšťadlá alebo abrazívne prostriedky.

## Čistenie dávkovača pracích prostriedkov



Vytiahnite dávkovač jeho nadvihnutím a vytiahnutím smerom von (vid' obrázok). Dávkovač umyte pod prúdom vody; toto čistenie je potrebné vykonávať pravidelne.

## Starostlivosť o dvierka a bubon

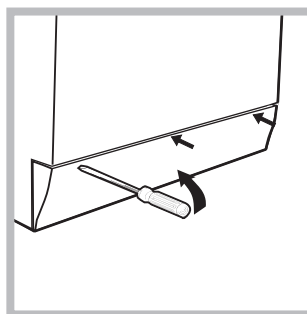
- Dvierka ponechajte zakaždým pootvorené, aby sa zabránilo tvorbe nepríjemných zápachov.

## Čistenie čerpadla

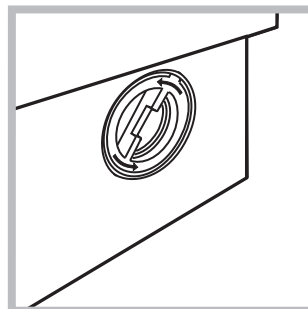
Súčasťou práčky je samočistiace čerpadlo, ktoré nevyžaduje údržbu. Môže sa však stať, že sa v jeho vstupnej ochrannej časti, nachádzajúcej na spodku, zachytia drobné predmety (mince, gombíky).

! Uistite sa, že prací cyklus bol ukončený a vytiahnite zástrčku zo zásuvky.

Prístup k vstupnej časti čerpadla:



1. pomocou skrutkovača odstráňte krycí panel, nachádzajúci sa v prednej časti práčky (vid' obrázok);



2. odskrutkujte veko otáčaním proti smeru hodinových ručičiek (vid' obrázok): vytečenie malého množstva vody je úplne bežným javom;

3. dokonale vyčistite vnútro;
4. nasadte naspäť veko;
5. namontujte naspäť krycí panel, pričom sa pred jeho prisunutím k práčke uistite, že došlo k správne mu zachyteniu háčikov do príslušných otvorov.

## Skontrolujte prítokovú hadicu vodu

Stav prítokovej hadice je potrebné skontrolovať aspoň raz ročne. Ak sú na nej viditeľné praskliny alebo trhliny, je potrebné ju vymeniť: silný tlak v hadici počas pracieho cyklu by mohol spôsobiť jej náhle roztrhnutie.

! Nikdy nepoužívajte už použité hadice.

! Práčka bola navrhnutá a vyrobená v súlade s platnými medzinárodnými bezpečnostnými predpismi. Tieto upozornenia sú uvádzané z bezpečnostných dôvodov a je potrebné si ich pozorne prečítať.

## Základné bezpečnostné pokyny

- Toto zariadenie bolo navrhnuté výhradne na použitie ako spotrebič.
- Toto zariadenie smú používať deti od 8 rokov, osoby náležite vyškolené ohľadne bezpečného použitia zariadenia, ktoré si uvedomujú súvisiace nebezpečenstvo a v prípade dozoru aj osoby so zníženými fyzickými, senzorickými alebo duševnými schopnosťami alebo osoby s nedostatočnými skúsenosťami a znalosťami. Deti sa so zariadením nesmú hrať. Operácie údržby a čistenia nesmú vykonávať deti bez dohľadu.
- Nedotýkajte sa zariadenia bosí, alebo v prípade, keď máte mokré ruky alebo nohy.
- Nevyťahujte zástrčku zo zásuvky ťahaním za kábel, ale uchopením za zástrčku.
- Neotvárajte dávkovač pracích prostriedkov počas činnosti zariadenia.
- Nedotýkajte sa odčerpávanej vody, pretože môže mať veľmi vysokú teplotu.
- V žiadnom prípade sa nepokúšajte o násilné otvorenie dvierok: mohlo by dôjsť k poškodeniu bezpečnostného uzáveru, ktorý zabraňuje náhodnému otvoreniu.
- Pri výskyte poruchy sa v žiadnom prípade nepokúšajte o opravu vnútorných častí zariadenia.
- Vždy majte pod kontrolou deti a zabráňte tomu, aby sa približovali k zariadeniu počas pracieho cyklu.
- Počas pracieho cyklu majú dvierka tendenciu zohrievať sa.
- Ak je potrebné ju presunúť, je dobré poveriť dve alebo tri osoby a vykonať to s maximálnou pozornosťou. Nikdy sa nepokúšajte zariadenie premiestňovať sami, pretože je veľmi ťažké.
- Pred zahájením vkladania prádla skontrolujte, či je bubon prázdny.

## Likvidácia

- Likvidácia obalových materiálov: pri ich odstránení postupujte v súlade s miestnymi predpismi a dbajte na možnú recykláciu.
- Európska smernica 2012/19/EU o odpadových elektrických a elektronických zariadeniach stanovuje, že staré domáce elektrické spotrebiče nesmú byť odkladané do bežného netriedeného domového odpadu. Staré spotrebiče musia byť odovzdané do oddeleného zberu a to za účelom recyklácie a optimálneho využitia materiálov, ktoré obsahujú, z dôvodu prevencie negatívneho dopadu na ľudské zdravie a životné prostredie.

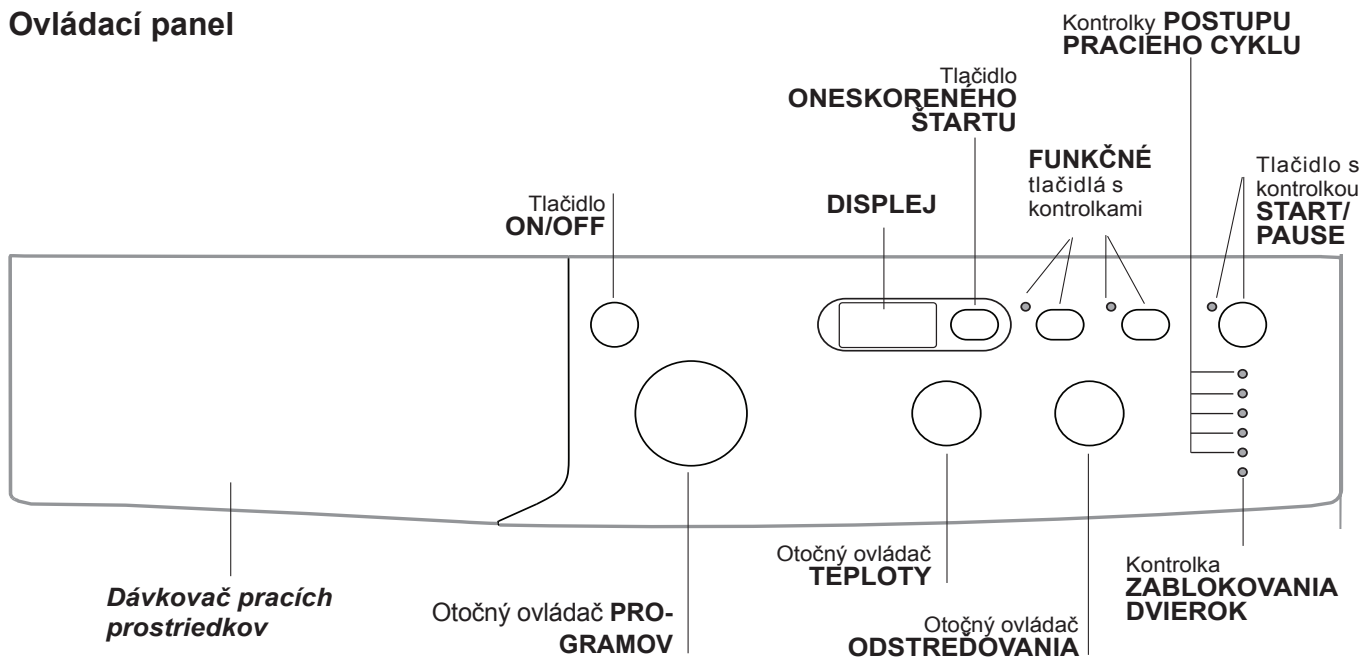
Symbol “prečiarknutej popolnice” na výrobku Vás upozorňuje na povinnosť odovzdať zariadenie po skončení jeho životnosti do oddeleného zberu.

Spotrebitelia majú povinnosť kontaktovať ich lokálny úrad alebo maloobchod kvôli informáciám týkajúcich sa správneho odovzdaniu a likvidácie ich starých spotrebičov.

# Popis práčky a zahájenie pracieho programu

SK

## Ovládací panel



**Dávkovač pracích prostriedkov:** slúži na dávkovanie pracích prostriedkov a prídavných prostriedkov (vid' „Pracie prostriedky a prádlo“).

Tlačidlo **ON/OFF**: slúži na zapnutie a vypnutie práčky.


Otočný ovládač **PROGRAMOV**: pre nastavenie pracích programov. Počas pracieho programu zostane v rovnakej polohe.

**FUNKČNÉ** tlačidlá s kontrolkami: Slúžia na voľbu jednotlivých dostupných funkcií. Kontrolka zvolenej funkcie zostane rozsvietená.

Otočný ovládač **ODSTREDOVANIA**: slúži na nastavenie odstredovania alebo na jeho vylúčenie (vid' „Užívateľské nastavenia“).

Otočný ovládač **TEPLoty**: slúži na nastavenie teploty alebo prania alebo prania v studenej vode (vid' „Užívateľské nastavenia“).


**DISPLEJ**: pre zobrazenie doby trvania rôznych programov a po zahájení činnosti aj pre zobrazenie doby zostávajúcej do jeho ukončenia; v prípade nastavenia **ONESKORENÉHO ŠTARTU** bude zobrazená doba zostávajúca do zahájenia zvoleného programu.

Tlačidlo **ONESKORENÉHO ŠTARTU** : stlačte za účelom nastavenia oneskoreného štartu zvoleného programu. Doba, o ktorú bude štart oneskorený, bude zobrazená na displeji.

Kontrolky **POSTUPU PRACIEHO CYKLU**: slúžia na kontrolu postupu pracieho programu. Rozsvietená kontrolka poukazuje na prebiehajúcu fázu.

Kontrolka **ZABLOKOVANIA DVIEROK**: informuje o tom, či je možné otvoriť dverka (vid' vedľajšia strana).

Tlačidlo s kontrolkou **START/PAUSE**: slúži na zahájenie alebo na dočasné prerušenie programov.

**POZN.:** Stlačenie tohoto tlačidla slúži na prerušenie prebiehajúceho prania; príslušná kontrolka bude blikať oranžovým svetlom, zatiaľ čo kontrolka prebiehajúcej fázy zostane rozsvietená stálym svetlom. Keď bude kontrolka **ZABLOKOVANIA DVIEROK**  zhasnutá, bude možné otvoriť dverka.

Pre opätovné zahájenie prania z bodu, v ktorom bolo prerušené, opätovne stlačte toto tlačidlo.

### Pohotovostný režim

Po skončení cyklu alebo v case, keď nie je spustený žiaden cyklus, po 30 minútach dôjde k vypnutiu zariadenia kvôli energetickej úspore. Na obnovenie činnosti zariadenia, nachádzajúceho sa v pohotovostnom režime, stačí stlačiť tlačidlo **ON/OFF**.

Spotreba v off-mode: 0,5 W

Spotreba v Left-on: 8 W





## Kontrolky

Kontrolky sú zdrojom dôležitých informácií. Informujú o nasledujúcich skutočnostiach:

### Kontrolky prebiehajúcej fázy

Po zvolení a zahájení požadovaného pracovného cyklu dôjde k postupnému rozsvetovaniu kontroliek informujúcich o jeho postupe.

Pranie	
Plákanie	
Odstreďovanie	
Odčerpanie vody	
Ukončenie prania	

### Funkčné tlačidlá a príslušné kontrolky


Po zvolení konkrétnej funkcie dôjde k rozsvieteniu príslušnej kontrolky.

Keď zvolenú funkciu nie je možné zaradiť do nastaveného programu, príslušná kontrolka bude blikať, budete počuť akustický signál a funkcia nebude aktivovaná. V prípade, že zvolená funkcia nie je kompatibilná s inou predtým zvolenou funkciou, kontrolka prvej voľiteľnej funkcie bude blikať a bude aktivovaná len druhá, pričom kontrolka zvolenej funkcie sa rozsvieti stálym svetlom.

### Kontrolka zablokovania dvierok



Rozsvietenie tejto kontrolky signalizuje, že dvierka sú zaistené kvôli zamedzeniu ich náhodnému otvoreniu; aby sa dvierka nepoškodili, pred ich otvorením je potrebné vyčkať, kým uvedená kontrolka nezhasne; (vyčkajte približne 3 minúty). Na otvorenie dvierok v priebehu pracovného cyklu stlačte tlačidlo START/PAUSE; keď bude kontrolka ZABLOKOVANIA DVIEROK zhasnutá, bude možné dvierka otvoriť.

## Zahájenie pracovného programu

1. Zapnite práčku stlačením tlačidla ON/OFF. Všetky kontrolky sa rozsvetia na niekoľko sekúnd, potom zhasnú a bude blikať kontrolka START/PAUSE.
2. Naplňte práčku a zatvorte dvierka.
3. Otočným ovládačom PROGRAMOV zvolte požadovaný prací program.
4. Nastavte teplotu prania (viď „Užívateľské nastavenia“).
5. Nastavte rýchlosť odstreďovania (viď „Užívateľské nastavenia“).
6. slúži na dávkovanie pracovného prostriedku a prídavných prostriedkov (viď „Pracie prostriedky a prádlo“).
7. Zvolte požadované funkcie.
8. Zahajte prací program stlačením tlačidla START/PAUSE a príslušná kontrolka zostane rozsvietená stálym svetlom zelenej farby. Zrušenie nastaveného pracovného cyklu sa vykonáva prerušením činnosti zariadenia stlačením tlačidla START/PAUSE a voľbou nového cyklu.
9. Po ukončení pracovného programu sa rozsvieti kontrolka END. Po zhasnutí kontrolky ZABLOKOVANIA DVIEROK  bude možné dvierka otvoriť. Vytiahnite prádlo a nechajte dvierka pootvorené, aby bolo umožnené vysušenie bubna. Zapnite práčku stlačením tlačidla ON/OFF.

# Pracie programy

## Tabuľka pracích programov

Pracie programy	Popis programu	Max. Teplota (°C)	Max. rýchlosť (otáčky za minútu)	Pracie prostriedky			Max. náplň (kg)	Zvyšková vlhkosť %	Spotreba energie kWh	Voda celkom lt	Doba trvania cyklu
				Pred-pranie	Pra-nie	Avi-vaz					
<b>Denné (Daily)</b>											
1	<b>Bavlna + predpranie:</b> Mimoriadne špinavé biele prádlo.	90°	1200	●	●	●	4	53	1,46	44	140'
2	<b>Štandardný program pre bavlnu pri 60 °C (1):</b> Znacne špinavé biele a farebné prádlo z odolných tkanín.	60° (Max. 90°)	1200	-	●	●	4	53	0,67	32	160'
3	<b>Štandardný program pre bavlnu pri 40 °C (2):</b> Znacne špinavé biele a farebné prádlo z chúlolistivých tkanín.	40°	1200	-	●	●	4	53	0,60	46	150'
4	<b>Syntetika:</b> Veľmi špinavé farebné prádlo z odolných tkanín.	60°	800	-	●	●	2	42	0,67	26	95'
4	<b>Syntetika (3):</b> Čiastočne špinavé farebné prádlo z odolných tkanín.	40°	800	-	●	●	2	42	0,42	27	85'
5	<b>Farebná bavlna:</b> Málo špinavé biele chúlolistivé prádlo.	40°	1200	-	●	●	4	53	0,65	32	85'
<b>20° Zone</b>											
6	<b>Štandardný program pre bavlnu pri 20 °C:</b> Znacne špinavé biele a farebné prádlo z chúlolistivých tkanín.	20°	1200	-	●	●	4	-	-	-	160'
7	<b>Mix Light</b>	20°	800	-	●	●	4	-	-	-	105'
8	<b>20' Refresh</b>	20°	800	-	●	●	1,5	-	-	-	20'
<b>Špeciálne programy (Special)</b>											
9	<b>Hodváb/záclony:</b> Pre prádlo z hodvábu, viskózy, spodné prádlo.	30°	0	-	●	●	1	-	-	-	50'
10	<b>Vlna:</b> Pre vlnu, kašmír, atd.	40°	800	-	●	●	1	-	-	-	55'
11	<b>Jeans</b>	40°	800	-	●	●	1,5	-	-	-	70'
<b>Sport</b>											
12	<b>Sport Intensive</b>	30°	600	-	●	●	1,5	-	-	-	80'
13	<b>Sport Light</b>	30°	600	-	●	●	1,5	-	-	-	55'
14	<b>Sport Shoes</b>	30°	600	-	●	●	Max. 2 pairs	-	-	-	50'
<b>Dielcie programy</b>											
	Plákanie	-	1200	-	-	●	4	-	-	-	36'
	Odstred'ovanie + Odčerpanie vody	-	1200	-	-	-	4	-	-	-	16'

Doba trvania cyklu, uvedená na displeji alebo v návode, je stanovená na základe štandardných podmienok. Skutočná doba sa môže meniť v závislosti na mnohých faktoroch, ako sú napr. teplota a tlak vody na vstupe, teplota prostredia, množstvo pracieho prostriedku, množstvo a druh náplne, vyváženie náplne a zvolené funkcie.

### 1) Kontrolný program podľa normy 1061/2010: nastavte program 2 s teplotou 60°C.

Tento cyklus je vhodný pre pranie bežne znečisteného bavlneného prádla a jedná sa o najúčinnjší cyklus z hľadiska kombinovanej spotreby energie a vody, určený pre prádlo, ktoré je možné prať pri teplote do 60°C. Skutočná teplota prania sa môže líšiť od uvedenej.

### 2) Kontrolný program podľa normy 1061/2010: nastavte program 3 s teplotou 40°C.

Tento cyklus je vhodný pre pranie bežne znečisteného bavlneného prádla a jedná sa o najúčinnjší cyklus z hľadiska kombinovanej spotreby energie a vody, určený pre prádlo, ktoré je možné prať pri teplote do 40°C. Skutočná teplota prania sa môže líšiť od uvedenej.

### Pre všetky Test Institutes:

2) Dlhý program na pranie bavlny: nastavte program 3 s teplotou 40°C.

3) Syntetický program spolu: nastavte program 4 s teplotou 40°C.

**Sport Intensive** (program 12) bol navrhnutý pre pranie veľmi znečistených látok športového oblečenia (teplákové súpravy, šortky apod.); pre dosiahnutie optimálnych výsledkov sa odporúča neprekračovať maximálnu náplň uvedenú v "Tabuľka pracích programov".

**Sport Light** (program 13) bol navrhnutý pre pranie málo znečistených látok športového oblečenia (teplákové súpravy, šortky apod.); pre dosiahnutie optimálnych výsledkov sa odporúča neprekračovať maximálnu náplň uvedenú v "Tabuľka pracích programov". Odporúča sa použiť tekuté prací prostriedky a použiť dávku vhodnú pre polovičnú náplň.

**Sport Shoes** (program 14) bol navrhnutý pre pranie športovej obuvi; pre dosiahnutie optimálnych výsledkov neperte viac ako 2 páry naraz.

**Programy 20°** (20° Zone) ponúkajú účinné pranie pri nízkych teplotách, čím umožňujú šetrenie elektrickej energie, úsporu peňazí a chránia životné prostredie.

Programy 20° vyhovujú všetkým požiadavkám:

**Štandardný program pre bavlnu pri 20 °C** (program 6) ideálny pre náplne zo znečistenej bavlny. Účinné pranie i za studena, porovnateľné s praním pri 40 °C, dosiahnuté mechanickým pôsobením, ktoré je založené na zmene rýchlosti v krátkych alebo dlhých intervaloch.

**Mix Light** (program 7) ideálny pre zmiešané náplne (bavlna a syntetika) stredne znečisteného prádla. Účinné pranie i za studena je dosiahnuté mechanickým pôsobením, ktoré je založené na zmene rýchlosti v stredných alebo určených intervaloch.

**20' Osvieženie** (program 8) ideálny cyklus pre osvieženie a pranie mierne znečisteného prádla v priebehu pár minút. Trvá len 20 minút a šetrí tak čas i energiu. Umožňuje spolu prať tkaniny rôzneho druhu (s výnimkou vlny a hodvábu) pri náplni nepresahujúcej 1,5 kg.

## Nastavenie teploty

Otáčaním otočného ovládača TEPLOTY sa nastavuje teplota prania (viď *Tabuľka programov*).

Teplota môže byť postupne znižovaná až po pranie v studenej vode (❄).

Zariadenie automaticky zabráni nastaveniu vyššej teploty ako je maximálna teplota pre každý prací program.


! Výnimka: pri voľbe programu 2 bude možné zvýšiť teplotu až na 90°C.

## Nastavenie odstreďovania

Otáčaním otočného ovládača ODS TREĎOVANIA sa nastavuje rýchlosť odstreďovania zvoleného pracieho programu.

Maximálne rýchlosti pre jednotlivé prací programy sú:

Prací programy	Maximálna rýchlosť
Bavlna	1200 otáčok za minútu
Syntetické tkaniny	800 otáčok za minútu
Vlna	800 otáčok za minútu
Hodváb	len odčerpanie vody

Rýchlosť odstreďovania môže byť znížená, alebo odstreďovanie môže byť vylúčené voľbou symbolu .

Zariadenie automaticky zabráni nastaveniu vyššej rýchlosti odstreďovania ako je maximálna rýchlosť pre každý prací program.

## Funkcie


Jednotlivé funkcie, ktorými práčka disponuje, umožňujú dosiahnuť požadovaný stupeň čistoty a belosti praného prádla.

Spôsob aktivácie jednotlivých funkcií:

1. stlačte príslušné tlačidlo požadovanej funkcie;
2. rozsvietenie príslušnej kontrolky signalizuje, že došlo k aktivácii zvolenej funkcie.

**Poznámka:** Rýchle blikanie kontrolky signalizuje, že príslušná funkcia je nepoužiteľná počas nastaveného pracieho programu.



## Oneskoreného štartu

Pre nastavenie oneskoreného štartu zvoleného programu stláčajte príslušné tlačidlo, až kým nenastavíte požadovanú dobu oneskorenia. Keď je táto funkcia zvolená, na displeji sa rozsvieti symbol . Na zrušenie oneskoreného štartu je potrebné stlačiť tlačidlo, až kým sa na displeji nezobrazí symbol "OFF".


! Je aktívny pri všetkých pracích programoch.

## EcoTime

Voľbou tejto funkcie budú mechanický pohon, teplota a voda nastavené pre zníženú náplň málo znečistenej bavlny a syntetických materiálov (viď *„Tabuľka pracích programov“*). Pri použití programu „EcoTime“ môžete pracovať s kratšími dobami a ušetriť vodu a energiu. Odporúča sa používať dávku tekutého pracieho prostriedku, vhodnú pre naplnené množstvo.

! Táto funkcia nie je použiteľná pri programoch 1, 6, 7, 8, 9, 10, 11, 12, 13, 14, , .

## Energy Savér

Funkcia  prispieva k energetickej úspore, tým že neohrieva vodu použitú na pranie prádla – šetrí sa tým nie len životné prostredie, ale aj náklady za elektrickú energiu. Posilnený účinok a optimalizovaná spotreba vody skutočne zabezpečia optimálny výsledok za rovnakú priemernú dobu odpovedajúcu štandardnému cyklu.

Na dosiahnutie lepších výsledkov prania sa odporúča použiť tekutý prací prostriedok.

! Táto funkcia nie je použiteľná pri programoch 1, 6, 7, 8, 9, 10, 12, 13, 14, , .

# Pracie prostriedky a prádlo

SK

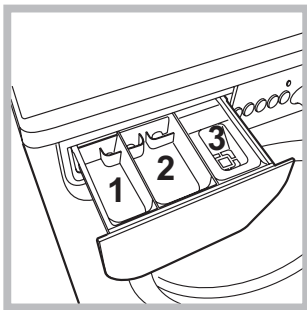
## Dávkovač pracích prostriedkov

Dobry výsledok prania závisí aj od správneho dávkovania pracieho prostriedku: použitie nadmerného množstva znižuje efektivitu prania a napomáha tvorbe vodného kameňa na vnútorných častiach práčky a zvyšuje znečistenie životného prostredia.

! Nepoužívajte pracie prostriedky určené na pranie v rukách, pretože spôsobujú tvorbu nadmerného množstva peny.

! Používajte práškové pracie prostriedky pre biele bavlnené prádlo a pre predpieranie a pre pranie pri teplote vyššej ako 60 °C.

! Dodržujte pokyny uvedené na obale pracieho prostriedku.



Pri vyťahovaní dávkovača pracích prostriedkov a pri jeho plnení pracími alebo prídavnými prostriedkami postupujte nasledovne.

**priehradka 1: Prací prostriedok na predpieranie (práškový)**

**priehradka 2: Prací prostriedok na pranie (práškový alebo tekutý)**

Tekutý prací prostriedok sa nalieva len tesne pred zahájením pracieho cyklu.

**priehradka 3: Prídavné prostriedky (aviváž, atď.)**

Aviváž nesmie vytekať z mriežky.

## Príprava prádla

- Roztriedte prádlo podľa:
  - druhu tkaniny / symbolu na visačke.
  - farby: oddelte farebné prádlo od bieleho.
- Vyprázdňte vrecká a skontrolujte gombíky.
- Neprekračujte hodnoty povolenej náplne uvedenej v "Tabuľka pracích programov", vzťahujúce sa na hmotnosť suchého prádla:


### Koľko váži prádlo?

- 1 plachta 400-500 g
- 1 obliečka 150-200 g
- 1 obrus 400-500 g
- 1 župan 900-1.200 g
- 1 uterák 150-250 g

## Prádlo vyžadujúce osobitnú starostlivosť

**Hodváb:** použite príslušný program **9** na pranie všetkého prádla z hodvábu. Odporúča sa použitie pracieho prostriedku pre chýlostivé prádlo.

**Záclony:** odporúča sa ich poskladať a vložiť do sáčku dodaného v rámci príslušenstva. Použite program **9**.

**Vlna:** S programom **10** je možné prať v práčke všetky druhy vlneného prádla, aj tie, ktoré sú označené visačkou „prať len v rukách“ . Pre dosiahnutie optimálnych výsledkov používajte špecifický prací prostriedok a neprekračujte náplň 1 kg.

**Jeans:** Prevráťte prádlo naruby a použite tekutý prací prostriedok. Použite program **11**.

## System automatického vyváženia náplne

Pred každým odstredovaním bubon vykoná otáčanie rýchlosťou o málo prevyšujúcou rýchlosť prania, aby sa tak odstránili vibrácie a aby sa náplň rovnomerne rozložila. V prípade, že po niekoľko násobných pokusoch o vyváženie prádlo ešte nebude správne vyvážené, zariadenie vykoná odstredovanie nižšou rýchlosťou, ako je prednastavená rýchlosť. Ak je práčka nadmerne nevyvážená, vykoná namiesto odstredovania vyváženie. Za účelom dosiahnutia rovnomernejšieho rozloženia náplne a jej správneho vyváženia, odporúča sa pomiešať veľké a malé kusy prádla.

Môže sa stať, že práčka nebude fungovať. Skôr, ako zatelefonujete na Servisnú službu *vid' „Servisná služba“*) skontrolujte, či sa nejedná o problém ľahko odstrániteľný pomocou nasledujúceho zoznamu.

## Poruchy:

**Pračku nie je možné zapnúť.**

**Nedochádza k zahájeniu pracovného cyklu.**

**Do práčky nie je napúšťaná voda (Na displeji je zobrazený blikajúci nápis “H2O”).**

**Práčka nepretržite napúšťa a odčerpáva vodu.**

**Práčka neodčerpáva vodu alebo neodstredzuje.**

**Práčka vo fáze odstredovania veľmi vibruje.**

**Z práčky uniká voda.**

**Kontrolky „voliteľné funkcie“ a kontrolka „štart/pauza“ blikajú a jedna z kontroliek „prebiehajúca fáza“ a „ZABLOKOVANIA DVIEROK“ sa rozsvieti stálym svetlom.**

**Dochádza k tvorbe nadmerného množstva peny.**

## Možné príčiny / Spôsob ich odstránenia:

- Zástrčka nie je zasunutá v elektrickej zásuvke, alebo nie je zasunutá dostatočne, aby došlo k spojeniu kontaktov.
- V celom dome je vypnutý prúd.
- Nie sú riadne zatvorené dverka.
- Nebolo stlačené tlačidlo ON/OFF.
- Nebolo stlačené tlačidlo START/PAUSE.
- Nebol otvorený kohútik prívodu vody.
- Bol nastavený oneskorený štart (*vid' „Užívateľské nastavenia“*).
- Prítoková hadica nie je pripojená k vodovodnému kohútiku.
- Hadica je príliš ohnutá.
- Nebol otvorený kohútik prívodu vody.
- V celom dome je uzatvorený prívod vody.
- V rozvode vody nie je dostatočný tlak.
- Nebolo stlačené tlačidlo START/PAUSE.
- Vypúšťacia hadica sa nachádza mimo určeného rozmedzia od 65 do 100 cm nad zemou (*vid' „Inštalácia“*).
- Koncová časť vypúšťacej hadice je ponorená vo vode (*vid' „Inštalácia“*).
- Odpadové potrubie v stene nie je vybavené odzdušňovacím otvorom.
- Ak po týchto kontrolách nedôjde k odstráneniu problému, zatvorte vodovodný kohútik, vypnite práčku a zavolajte Servisnú službu. V prípade, že sa byt nachádza na jednom z najvyšších poschodí je možné, že dochádza k sifónovému efektu, následkom ktorého práčka nepretržite napúšťa a odčerpáva vodu. Na odstránenie uvedeného efektu sú v predaji bežne dostupné špeciálne „protisifónové“ ventily.
- Odčerpanie vody netvorí súčasť nastaveného programu: pri niektorých programoch je potrebné aktivovať ho manuálne.
- Vypúšťacia hadica je ohnutá (*vid' „Inštalácia“*).
- Odpadové potrubie je upchaté.
- Počas inštalácie nebol bubon odistený predpísaným spôsobom (*vid' „Inštalácia“*).
- Práčka nie je dokonale vyrovnaná do vodorovnej polohy (*vid' „Inštalácia“*).
- Zariadenie je stlačené medzi nábytkom a stenou (*vid' „Inštalácia“*).
- Prítoková hadica nie je správne zaskrutkovaná (*vid' „Inštalácia“*).
- Dávkovač prací prostriedkov je upchatý (spôsob jeho vyčistenia je uvedený v časti „Údržba a starostlivosť“).
- Vypúšťacia hadica nie je dobre pripevnená (*vid' „Inštalácia“*).
- Vypnite zariadenie a vytiahnite zástrčku zo zásuvky, vyčkajte 1 minútu a opätovne ho zapnite.
- Ak porucha pretrváva, obráťte sa na Servisnú službu.
- Použitý prací prostriedok nie je vhodný na použitie v automatickej práčke (musí obsahovať označenie „pre pranie v práčke“, „pre pranie v rukách alebo v práčke“ alebo podobné označenie).
- Bolo použité jeho nadmerné množstvo.

# Servisná služba

SK

## Pred obrátením sa na Servisnú službu:

- Skontrolujte, či nie ste schopní poruchu odstrániť sami (vid' „Poruchy a spôsob ich odstránenia“);
- Opätovne uveďte do chodu prací program, s cieľom overiť, či bola porucha odstránená;
- V opačnom prípade sa obráťte na Centrum servisnej služby, na telefónnom čísle uvedenom na záručnom liste.

! Nikdy sa neobracajte so žiadosťou o pomoc na technikov, ktorí nie sú na vykonávanie tejto činnosti oprávnení.

## Pri hlásení poruchy uveďte:

- druh poruchy;
- model zariadenia (Mod.);
- výrobné číslo (S/N).

Tieto informácie sú uvedené na štítku aplikovanom na zadnej časti práčky a v jej prednej časti, dostupnej po otvorení dvierok.

## DELEGOVANÉ NARIADENIE KOMISIE (EÚ) č. 1061/2010

Značka	INDESIT
Model	IWUD 41252 C ECO EU
Menovitá kapacita bavlnenej látky v kg	4.0
Trieda energetickej účinnosti na stupnici A+++ (najnižšia spotreba) až G (vysoká spotreba)	A++
Ročná spotreba energie v kWh <sup>1)</sup>	124.0
Spotreba energie štandardného programu na bavlnu pre pranie pri 60 °C s celou náplňou v kWh <sup>2)</sup>	0.67
Spotreba energie štandardného programu na bavlnu pre pranie pri 60 °C s polovičnou náplňou v kWh <sup>2)</sup>	0.445
Spotreba energie štandardného programu na bavlnu pre pranie pri 40 °C s polovičnou náplňou v kWh <sup>2)</sup>	0.385
Vážená spotreba energie vo vypnutom stave vo W	0.5
Vážená spotreba energie v režime ponechania v zapnutom stave vo W	8.0
Ročná spotreba vody v litroch <sup>3)</sup>	5720
Trieda účinnosti sušenia odstreďovaním na stupnici od G (najmenšia účinnosť) do A (najvyššia účinnosť)	B
Maximálne otáčky pri odstreďovaní <sup>4)</sup>	1200
Zostatkový obsah vlhkosti v % <sup>5)</sup>	53%
Trvanie „štandardného programu na bavlnu pre pranie pri 60 °C“ s celou náplňou v minútach.	160
Trvanie „štandardného programu na bavlnu pre pranie pri 60 °C“ s polovičnou náplňou v minútach.	110
Trvanie „štandardného programu na bavlnu pre pranie pri 40 °C“ s polovičnou náplňou v minútach.	105
Trvanie režimu ponechania v zapnutom stave v minútach	30
Emisia hluku v dB(A) re 1 pW počas prania <sup>6)</sup>	59
Emisia hluku v dB(A) re 1 pW počas odstreďovania <sup>6)</sup>	77

<sup>1)</sup> Štandardný program na bavlnu pre pranie pri 60 °C s celou náplňou a polovičnou náplňou a štandardný program na bavlnu pre pranie pri 40 °C s polovičnou náplňou sú štandardné prací programy, na ktoré sa vzťahujú informácie uvedené na energetickom štítku a v informačnom liste. Tieto programy sú vhodné na pranie bežne znečistenéj bavlnenej bielizne a jedná sa o najúčinnějšíe programy z hľadiska kombinovanej spotreby energie a vody.

<sup>2)</sup> Na základe 220 štandardných pracích cyklov s programami na bavlnu pre pranie pri 60 °C a 40 °C s celou a polovičnou náplňou a spotreba v režimoch s nízkou spotrebou energie. Skutočná spotreba energie bude závisieť na tom, ako je spotrebič používaný.

<sup>3)</sup> Na základe 220 štandardných pracích cyklov s programami na bavlnu pre pranie pri 60 °C a 40 °C s celou a polovičnou náplňou. Skutočná spotreba vody bude závisieť na tom, ako je spotrebič používaný.

<sup>4)</sup> U štandardného programu na bavlnu pre pranie pri 60 °C s celou náplňou alebo u štandardného programu na bavlnu pre pranie pri 40 °C s polovičnou náplňou podľa toho, ktorá hodnota je menšia.

<sup>5)</sup> U štandardného programu na bavlnu pre pranie pri 60 °C s celou náplňou alebo u štandardného programu na bavlnu pre pranie pri 40 °C s polovičnou náplňou podľa toho, ktorá hodnota je väčšia.

<sup>6)</sup> Počas fázy prania a odstreďovania u štandardného programu na bavlnu pre pranie pri 60 °C s celou náplňou.



UA

Українська

IWUD 41252

### Зміст

#### **Встановлення, 74-75**

Розпакування та вирівнювання  
Підключення води й електроенергії  
Перший цикл прання  
Технічні дані

#### **Чищення та догляд, 76**

Відключення води й електричного живлення  
Очищення пральної машини  
Чищення касети для пральних засобів  
Догляд за люком та барабаном  
Чищення насосу  
Контроль труби подачі води

#### **Заходи безпеки та поради, 77**

Загальна безпека  
Утилізація

#### **Опис пральної машини та запуску програм, 78-79**

Панель керування  
Індикаторні лампи  
Як запустити програму

#### **Програми, 80**

Таблиця програм

#### **Налаштування під власні потреби, 81**

Встановлення температури  
Встановлення центрифуги  
Опції

#### **Пральні засоби та білизна, 82**

Касета для пральних засобів  
Цикл відбілювання  
Підготовка білизни  
Особливі речі  
Система балансування завантаження

#### **Несправності та засоби їх усунення, 83**

#### **Допомога, 84**

# Встановлення

UA

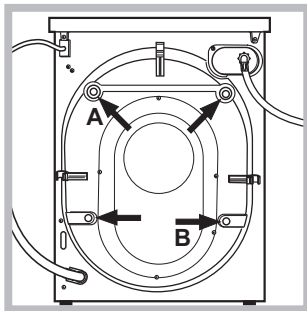
! Необхідно зберігати дану брошуру, щоб мати нагоду звернутися до неї у будь-який момент. У випадку продажу, передачі іншій особі або переїзду переконайтеся, що інструкція перебуває разом із пральною машиною й новий власник може ознайомитися з її принципами роботи й відповідними запобіжними заходами.

! Уважно вивчіть інструкцію: в ній міститься важлива інформація щодо встановлення, використання та безпеки.

## Розпакування та вирівнювання

### Розпакування

1. Розпакування пральної машини
2. Вдоскональтеся, що машина не зазнала ушкоджень під час транспортування. Якщо вона має пошкодження, не виконуйте ніяких підключень та негайно зверніться до постачальника.



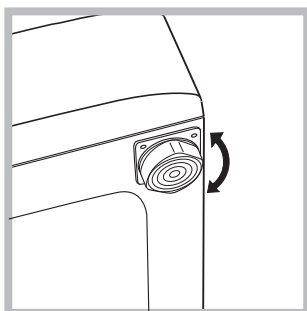
3. Видаліть 4 запобіжні гвинти для транспортування та прокладку з відповідною розпірною деталлю, які знаходяться позаду (див. малюнок).

4. Закрийте отвори пластиковими заглушками з комплекту постачання.
5. Збережіть усі деталі: якщо пральна машина має перевозитися, їх потрібно встановити знову.

! Забороняйте дітям гратися з упаковками.  
! Кожного разу при нахилі або пересуванні машини необхідно встановити на місце гвинти, гумову прокладку то розпірку (поз. А та В). Це збереже цілісність внутрішніх компонентів. Після завершення операції необхідно видалити їх знову.

### Вирівнювання

1. Встановіть пральну машину на рівній та твердій підлозі, не притуляючи її до стін, меблів, тощо.

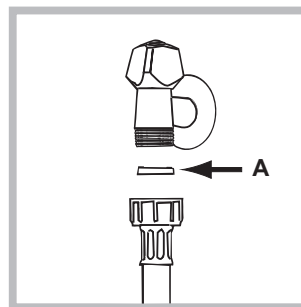


2. Якщо підлога не є ідеально горизонтальною, компенсуйте нерівності за допомогою передніх ніжок (див. малюнок) – розкручуючи чи закручуючи їх; кут нахилу відносно робочої поверхні не повинен перевищувати 2°.

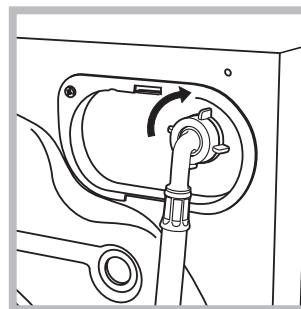
Належне вирівнювання надає стабільність машині та запобігає вібрації, шуму та пересуванню під час роботи. При встановленні машини на килимовому покритті або килимі відрегулюйте ніжки таким чином, щоб залишити під пральною машиною достатній простір для вентиляції.

## Підключення води й електроенергії

### Під'єднання труби подачі води



1. Вставте прокладку А у кінець труби для подачі води та вкрутіть його у кран з холодною водою за допомогою патрубку з різьбою 3/4 (див. малюнок). Перед підключенням спустіть воду, доки вона не стане прозорою.



2. Підключіть трубу подачі води до пральної машини, прикрутивши її до роз'єму для води, який знаходиться угорі праворуч на задньому боці машини (див. малюнок).

3. Зверніть увагу, щоб труба не мала згинів та утисків.

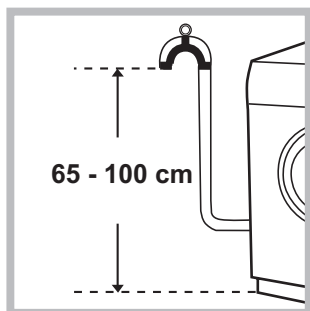
! Тиск води в крані має відповідати значенням у таблиці Технічних даних (див. сторінку поруч).

! Якщо довжини труби подачі води не вистачає, зверніться у спеціалізовану крамницю або до уповноваженого фахівця.

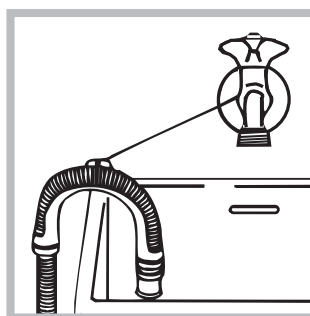
! Не використовуйте ніколи труби, що вже були у користуванні.

! Використовуйте труби з комплекту постачання до машини.

## Підключення зливного шланга



Підключіть зливний шланг, не згинаючи його, до каналізаційного каналу або до входу до такого каналу на стіні, на відстані від 65 до 100 см від підлоги;



або покладіть його на край вмивальника або ванни, поєднавши направляючу, яка входить до комплекту постачання, до крану (див. малюнок). Не залишайте вільний кінець зливного

шланга зануреним у воду.

! Використання подовжувача шланга не рекомендоване. В разі необхідності використання подовжувача шлангу, переконайтеся у тому, що він має той самий діаметр та його довжина не перевищує 150 см.

## Електричні підключення

Перш ніж вставити вилку в електричну розетку, переконайтеся, що:

- розетка має заземлення у відповідності до встановлених норм;
- розетка розрахована на максимальне навантаження у межах потужності машини, зазначене у таблиці Технічних даних (див. малюнок поруч);
- напруга живлення перебуває у межах, зазначених у таблиці Технічних даних (див. малюнок поруч);
- розетка підходить до вилки пральної машини. В іншому випадку замініть розетку або вилку.

! Машину не можна встановлювати поза приміщенням, навіть в захищених місцях, тому що дуже небезпечно піддавати її впливу дощу і грози.

! Коли машину вже встановлено, забезпечте вільний доступ до електричної розетки.

! Не використовуйте подовжувачі й трійники.

! Шнур живлення не повинен мати згинів або утисків.

! Проводити заміну шнура живлення можуть тільки вповноважені фахівці.

Увага! Компанія знімає з себе відповідальність за умови недотримання вказаних норм.

## Перший цикл прання

Після встановлення та перш ніж розпочати використання машини, виконайте цикл прання з пральним засобом але не завантажуючи білизну, встановивши програму 2.

Технічні дані	
Модель	IWUD 41252
Розміри	ширина 59,5 см висота 85 см глибина 33 см
Кількість білизни	від 1 до 4 кг
Електричні підключення	див. шильдік з технічними даними на машині
Водопровідні підключення	максимальний тиск 1 мПа (10 бар) мінімальний тиск 0,05 мПа (0,5 бар) об'єм баку – 27 літри
Швидкість центрифуги	до 1200 обертів на хвилину
Програми контролю згідно з нормою 1061/2010 1015/2010	програма 2; Біла бавовна 60°C. програма 3; Біла бавовна 40°C.
	Цей прилад відповідає таким європейським директивам: - 2004/108/CE (Електромагнітна сумісність) - 2012/19/EU - 2006/95/CE (Низька напруга)
	

# Догляд та очищення

UA

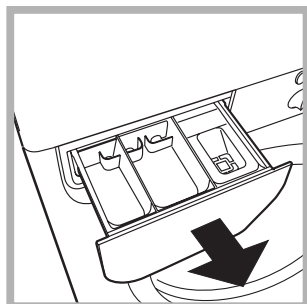
## Відключення води й електричного живлення

- Закривайте водопровідний кран після кожного прання. У такий спосіб зменшується знос гідравлічної частини машини й усувається небезпека протікання.
- Виймайте штепсель з розетки під час миття машини та під час робіт з технічного обслуговування.

## Очищення пральної машини

Зовнішня частина і гумові деталі можуть митися тканиною, змоченою у теплій воді й милі. Не використовуйте розчинники або абразивні засоби.

## Чищення касети для пральних засобів



Вийміть касету, піднявши її та витягнувши назовні (див. малюнок). Промийте її під проточною водою; ця процедура має проводитися регулярно.

## Догляд за люком та барабаном

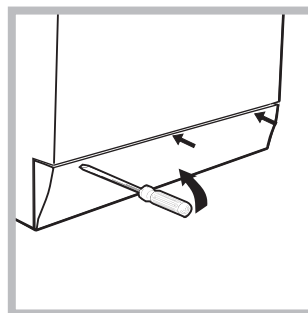
- Завжди залишайте люк напіввідкритим для запобігання утворенню неприємних запахів.

## Чищення насоса

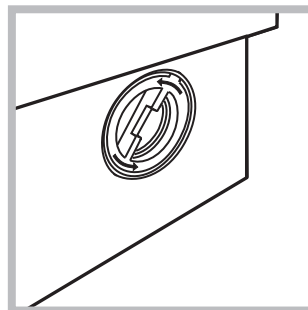
Пральну машину обладнано насосом, який здатний сам очищатися та не вимагає технічного обслуговування. Може трапитися так, що дрібні речі (монети, ґудзики) потраплять до попередньої камери, яка захищає насос та розташована в його нижній частині.

**!** Переконайтеся у тому, що цикл прання закінчено, і витягніть штепсель з розетки.

Як дістатися до попередньої камери:



1. зніміть зовнішню панель на передньому боці пральної машини за допомогою викрутки (див. малюнок);



2. розвентіть кришку, обертаючи її проти годинникової стрілки (див. малюнок): витікання незначної кількості води є нормальним;

3. акуратно очистіть всередині;
4. знову накрутіть кришку;
5. встановіть панель на місце, пересвідчіться у тому, що гачки були вставлені у відповідні петлі, після чого притисніть її до машини.

## Контроль труби подачі води

Перевіряйте трубу подачі води не менше одного разу на рік. Якщо на ній є тріщини та щілини, вона підлягає заміні: під час прання сильний тиск може викликати непередбачені розриви.

**!** Ніколи не використовуйте уживані труби.

**!** Машину була спроектовано і вироблено у відповідності з міжнародними нормами безпеки. Це попередження надаються задля вашої безпеки, і тому їх треба уважно прочитати.

## Загальна безпека

- Даний прилад спроектований виключно для побутового використання.
- **Дозволяється користування цим приладом дітьми віком від 8 років, а також особами з обмеженими фізичними, сенсорними або розумовими можливостями або особами без належного досвіду і знань, якщо вони перебувають під постійним контролем або проінструктовані щодо правил з небезпечного використання приладу і усвідомлюють ступені ризику. Не дозволяйте дітям гратися з приладом. Операції з очищення і догляду не повинні виконуватися дітьми без належного контролю.**
- Машина має використовуватися тільки дорослими особами і згідно з інструкціями, наведеними у даній брошурі.
- Не торкайтеся до машини голими ногами або мокрими чи вологими руками й ногами.
- Не виймайте штепсель з електричної розетки, витягуючи його за шнур, тримайтеся тільки за самий штепсель.
- Не відкривайте касету з пральними засобами під час роботи машини.
- Не торкайтеся води, що зливається, вона може мати підвищену температуру.
- У жодному випадку не докладайте надмірних зусиль до люку: це може ушкодити запобіжний механізм проти випадкових відкривань.
- Якщо машина не працює у разі поломки, у жодному випадку не робіть спроб самостійно виконати ремонт внутрішніх механізмів.
- Завжди слідкуйте, щоб діти не наближалися до працюючої машини.
- Під час прання люк нагріватиметься.
- Пересування машини має здійснюватися двома або трьома особами за умови надзвичайної обережності. Ніколи не переміщуйте машину самотужки, тому що вона дуже важка.
- Перш ніж завантажити білизну, перевірте, щоб барабан був порожній.

## Утилізація

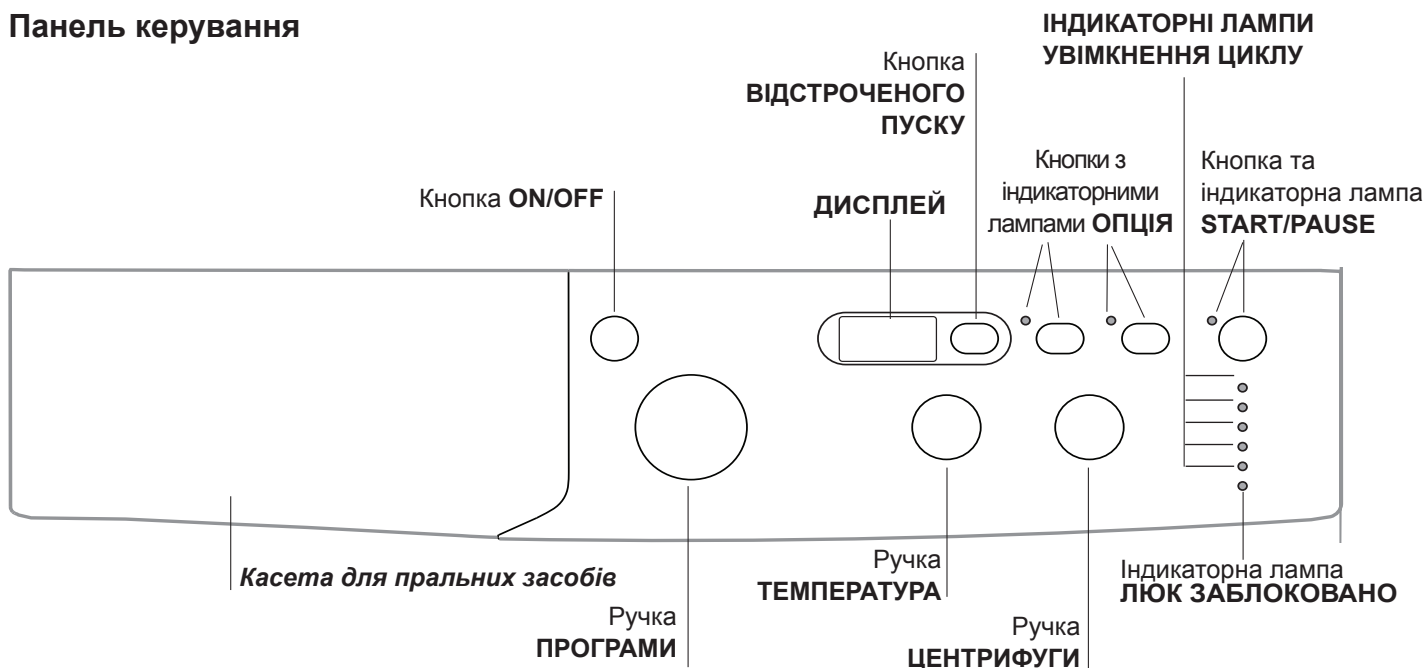
- Утилізація пакувального матеріалу: додержуйте місцевих норм, так як пакування може бути використане повторно.

- Європейська директива 2012/19/EU з відходів електричної й електронної апаратури передбачає, що побутові електроприлади не можуть перероблятися у звичайному порядку для твердих міських відходів. Відпрацьовані побутові прилади мають збиратися окремо для оптимізації відновлення та рециклу матеріалів, що входять до їхнього складу, та з метою усунення потенційної шкоди для здоров'я та довкілля. Символ перекресленого кошика, зображений на всіх виробках, нагадує про необхідність окремої утилізації. Для подальшої інформації щодо правильної утилізації побутової техніки, їхні власники можуть звернутися до відповідних міських служб або до постачальника.

# Опис пральної машини та процедури із запуску програм

UA

## Панель керування



**Касета з пральним засобом:** для завантаження пральних засобів та засобів догляду (див. “Пральні засоби та білизна”).

**Кнопка ON/OFF:** для увімкнення й вимкнення пральної машини


**Ручка ПРОГРАМИ:** для задання бажаних програм. Під час програми ручка залишається нерухомою.

**Кнопки та індикаторні лампи ОПЦІЯ:** для вибору наявних опцій. Індикаторна лампа обраної опції залишається увімкненою.

**Ручка ЦЕНТРИФУГИ:** для установки центрифуги або для вимкнення її (див. “Налаштування під власні потреби”).


**Ручка ТЕМПЕРАТУРА:** для установки температури або холодного прання (див. “Налаштування під власні потреби”).

**ДИСПЛЕЙ:** для відображення тривалості різних наявних програм та при розпочатому циклі – для відображення часу, який залишився до завершення цього циклу; якщо встановлено ВІДСТРОЧЕНИЙ ПУСК, відображається час, якого бракує до початку роботи вибраної програми.

**Кнопка ВІДКЛАДЕНИЙ ЗАПУСК** : натискання викликає відкладений запуск вибраної програми; значення відстрочення відображається на дисплеї.

**ІНДИКАТОРНІ ЛАМПИ УВІМКНЕННЯ ЦИКЛУ:** для спостереження за станом програми прання. Увімкнена індикаторна лампа вказує на активовану фазу.

**Індикаторна лампа ЛЮК ЗАБЛОКОВАНО:** для перевірки того, чи люк може відкриватись (див. сторінку поруч).

**Кнопка та індикаторна лампа START/PAUSE:** для запуску програм або для їх тимчасового переривання. **Увага:** щоб установити в режим паузи поточне прання, натисніть на цю кнопку, відповідна кнопка почне блимати помаранчевим кольором, в той час як індикаторна лампа поточної фази світитиметься постійним світлом. Якщо індикаторна лампа ЛЮК ЗАБЛОКОВАНО  згасне, можна відкривати люк для завантаження білизни.

Щоб продовжити прання з місця, де воно було перервано, знову натисніть на цю кнопку.

### Режим очікування

Відповідно до норм, пов'язаних з заощадження енергії, цю пральну машину оснащено системою автовимкнення (stand by), яка активується через декілька (30) секунд відсутності роботи з боку машини. Швидко натисніть кнопку ON/OFF та зачекайте відновлення роботи машини.







## Індикаторні лампи

Індикаторні лампи надають важливу інформацію. От на що вони вказують:

### Індикаторні лампи поточних операцій

Після обрання та запуску бажаного циклу прання індикаторні лампи вмикаються по черзі, щоб вказати на стан програми:

Прання	
Полоскання	
Віджим	
Злив	
Кінець прання	

### Кнопки опцій та відповідні індикаторні лампи

Після вибору опції відповідна індикаторна лампа починає світитися.

Якщо вибрана опція несумісна з заданою програмою, індикаторна лампа почне блимати й опція не активується.


Якщо вибрана опція не є сумісною з іншою, раніше вибраною, індикаторна лампа попередньої функції почне блимати, при цьому буде активовано тільки останню опцію, засвітиться індикаторна лампа активованої опції.

### Індикаторна лампа ЛЮК ЗАБЛОКОВАНО

Увімкнена індикаторна лампа вказує на те, що люк заблокований; відкривати люк можна лише коли ця лампа не світиться.

Щоб відкрити люк під час виконання циклу, натисніть кнопку START/PAUSE; якщо індикаторна лампа ЛЮК ЗАБЛОКОВАНО згасла, це означає, що можна відкрити люк.



## Як запустити програму

1. Увімкніть пральну машину, натиснувши на кнопку ON/OFF. Усі індикаторні лампи увімкнуться на декілька секунд, потім згаснуть та почне блимати індикаторна лампа START/PAUSE
2. Завантажте білизну й закрийте люк.
3. Встановіть за допомогою ручки ПРОГРАМ бажану програму.
4. Встановіть температуру прання (див. "Налаштування під власні потреби").
5. Встановіть швидкість центрифуги (див. "Налаштування під власні потреби").
6. Додайте пральні засоби та засоби догляду (див. "Пральні засоби та білизна").
7. Виберіть бажані опції.
8. Запустіть програму, натиснувши кнопку START/PAUSE й відповідна індикаторна лампа загориться зеленим світлом. Для скасування заданого циклу встановіть машину в режим паузи, натиснувши кнопку START/PAUSE, та оберіть новий цикл.
9. Наприкінці програми почне світитися індикаторна лампа "END". Якщо індикаторна лампа ЛЮК ЗАБЛОКОВАНО  згасне, можна відкривати люк для завантаження білизни. Вийміть білизну та залиште люк напіввідкритим, щоб висушити барабан. Вимкніть пральну машину, натиснувши на кнопку ON/OFF.

# Програми

UA

Таблиця програм

Програми	Опис програми	Макс. темп. (°C)	Макс. швидкість (обертів за хвилину)	Пральний засіб			Макс. завантаження (кг)	Тривалість циклу
				Попереднє прання	Прання	Пом'якшувач		
<b>Щоденні (Daily)</b>								
1	<b>Бавовна з попереднім пранням:</b> білі надзвичайно забруднені.	90°	1200	●	●	●	4	140'
2	<b>Бавовна (1):</b> білі та кольорові міцні сильно забруднені.	60° (Max. 90°)	1200	-	●	●	4	160'
3	<b>Бавовна (2):</b> білі та кольорові делікатні слабо забруднені.	40°	1200	-	●	●	4	150'
4	<b>Синтетичні:</b> кольорові міцні тканини дуже забруднені	60°	800	-	●	●	2	95'
5	<b>Бавовна кольорові:</b> слабо забруднені та кольорові делікатні.	40°	1200	-	●	●	4	85'
<b>20° Zone</b>								
6	<b>Бавовна:</b> білі та кольорові делікатні слабо забруднені.	20°	1200	-	●	●	4	160'
7	<b>Mix Light</b>	20°	800	-	●	●	4	105'
8	<b>20' Refresh</b>	20°	800	-	●	●	1,5	20'
<b>Спеціальні (Special)</b>								
9	<b>Шовк/Штори:</b> Для речей з шовку, віскози, нижньої білизни.	30°	0	-	●	●	1	50'
10	<b>Вовна:</b> Для вовни, кашеміру, тощо.	40°	800	-	●	●	1	55'
11	<b>Jeans</b>	40°	800	-	●	●	1,5	70'
<b>Спорт</b>								
12	<b>Sport Intensive</b>	30°	600	-	●	●	1,5	80'
13	<b>Sport Light</b>	30°	600	-	●	●	1,5	55'
14	<b>Sport Shoes</b>	30°	600	-	●	●	Макс 2 пари	50'
<b>Неповні</b>								
	Полоскання	-	1200	-	-	●	4	36'
	Віджимання + Зливання	-	1200	-	-	-	4	16'

Тривалість циклу, вказана на дисплеї або в керівництві, розрахована на основі стандартних умов роботи. Фактичний час може залежати від чисельних факторів, таких як температура і тиск подаваної води, температура у приміщенні, кількість миючого засобу, кількість і тип завантаженої білизни, зрівноваження завантаженої білизни, додаткові обрані опції.

**1) Програма керування згідно до норми 1061/2010: встановити програму 2 з температурою 60°C.**

Цей цикл призначений для прання бавовняних речей із звичайним ступенем забруднення. Ефективність циклу підвищується завдяки комбінованому споживанню енергії та води. Він має використовуватися для речей, які придатні для прання при температурі 60°C. Фактична температура прання може дещо відрізнятися від заявленої.

**2) Довга програма бавовна: встановити програму 3 з температурою 40°C.**

Цей цикл призначений для прання бавовняних речей із звичайним ступенем забруднення. Ефективність циклу підвищується завдяки комбінованому споживанню енергії та води. Він має використовуватися для речей, які придатні для прання при температурі 40°C. Фактична температура прання може дещо відрізнятися від заявленої.

**Для всіх Установ з проведення випробувань:**

**2) Програма тривалого прання речей з бавовни: встановити програму 3 з температурою 40°C.**

**3) Програма тривалого прання синтетичних речей: встановити програму 4 з температурою 40°C.**

**Sport Intensive** (програма 12) розрахована для прання сильно забрудненого спортивного одягу (спортивні костюми, шкарпетки, тощо); для отримання найкращих результатів не перевищуйте максимальне завантаження, зазначене у "Таблиці програм".

**Sport Light** (програма 13) розрахована для прання не дуже забрудненого спортивного одягу (спортивні костюми, шкарпетки, тощо); для отримання найкращих результатів не перевищуйте максимальне завантаження, зазначене у "Таблиці програм".

Використовуйте рідкий пральний засіб та відміряйте дозу для половинного завантаження.

**Sport Shoes** (програма 14) розрахована для прання спортивного взуття; для отримання найкращих результатів не завантажуйте більше 2 пар взуття.

**Програми 20° (20° Zone)** забезпечують добре прання при низьких температурах з меншим використанням електричної енергії, що призводить до енергозаощадження і позитивного впливу на довкілля. Програми 20° відповідають усім вимогам:

**Бавовна 20°** (програма 6) ідеальна для бавовняних забруднених речей. Добре прання, в тому числі у холодній воді, яке можна порівняти з пранням при 40°, гарантується механічною роботою, яка здійснюється на змінній швидкості із частими повторюваними піками.

**Mix Light** (програма 7) ідеальна для змішаних речей (бавовняних і синтетичних) із середнім ступенем забруднення. Добре прання, в тому числі у холодній воді, яке можна порівняти з пранням при 40°, гарантується механічною роботою, яка здійснюється на змінній швидкості із середніми і чітко визначеними інтервалами.

**20' Refresh** (програма 8) ідеальний цикл для освіжання е прання злегка забруднених речей за декілька хвилин. Її тривалість складає лише 20 хвилин, що заощаджує енергоспоживання та час. Можна випрати разом тканини різноманітної структури (за винятком вовни та шовку) при максимальному завантаженні у 1,5 кг.

## Встановлення температури

Обертаючи ручку ТЕМПЕРАТУРИ, ви можете задати температуру прання (див. Таблицю програм).

Ви можете знижувати температуру аж до прання в холодній воді (❄).

Машина перешкоджатиме встановленню температури, яка перевищує максимально дозволена для кожної конкретної програми.

! Виключення: при виборі програми 2, температура може збільшитися до 90° градусів.

## Встановлення центрифуги

Обертаючи ручку ЦЕНТРИФУГИ, ви можете задати швидкість центрифуги обраної програми.

Максимальні значення швидкості, передбачені для програм:

Програми	Максимальна швидкість
Бавовна	1200 обертів за хвилину
Синтетичні тканини	800 обертів за хвилину
Вовна	800 обертів за хвилину
Шовк	тільки злив води

Швидкість центрифуги можна зменшити чи виключити взагалі; оберіть для цього позначку (⊘).

Машина автоматично перешкоджатиме віджиму, який перевищує максимально дозволена значення для кожної конкретної програми.

## Опції

Різноманітні опції прання, передбачені у пральній машині, дозволяють отримати бажану чистоту та білизну ваших речей.

Для активації опцій:

- натисніть на кнопку бажаної опції;
- запалення відповідної індикаторної лампи вказує на те, що опцію активовано.

Примітка: Швидке блимання індикаторної лампи вказує на те, що відповідну опцію не можна обрати для заданої програми.

## Відстрочений пуск

Для встановлення відстроченого пуску обраної програми натискайте на відповідну кнопку, доки не з'явиться потрібний час відстрочки. Коли ця опція активна, на дисплеї горить позначка . Щоб вимкнути відкладений пуск, натисніть кнопку , аж поки на дисплеї не з'явиться напис "OFF".



! Працює з усіма програмами.

## ЕcoTime

При виборі цієї опції механічний рух, температура та вода оптимізуються під неповне завантаження слабко забруднених бавовни та синтетичних тканин (див. "Таблицю програм").

За допомогою "ЕcoTime" можна здійснити прання у скорочений час, заощаджуючи воду та енергію.



Рекомендується застосовувати рідкий засіб для прання, дозуючи його залежно від завантаження.

! Не працює з програмами 1, 6, 7, 8, 9, 10, 11, 12, 13, 14, , .

## Energy Saver

Функція Energy Saver сприяє енергозбереженню, тому що не відбувається нагрівання води для прання – користь для довкілля і для користувача завдяки зменшеному рахунку за електроенергію. Дійсно, посилена дія й оптимізоване споживання води гарантують добрі результати, при цьому тривалість дорівнюватиме часу стандартного циклу.

Щоб отримати найкращі результати прання, рекомендується вживати рідкий засіб.

! Не працює з програмами 1, 6, 7, 8, 9, 10, 12, 13, 14, , .

# Пральні засоби та білизна

UA

## Касета з пральним засобом

Добрий результат прання залежить також від правильного дозування прального засобу: надлишок прального засобу приведе до неефективного прання та сприятиме утворенню накипу всередині пральної машини, а також забрудненню довілля.

! Не використовуйте засоби для ручного прання, тому що вони утворюють надто багато піни.



Витягніть касету для пральних засобів та додайте пральні засоби або засоби з догляду, як вказано нижче.

**ванночка 1: Засіб для попереднього прання (порошковий)**

**ванночка 2: Засіб для прання (порошковий чи рідкий)**

Рідкий пральний засіб наливайте безпосередньо перед запуском машини.

**ванночка 3: Засоби з догляду (пом'якшувач, тощо)**

Пом'якшувач не має витікати з решітки.

## Підготовка білизни

- Розділіть білизну, враховуючи:
  - тип тканини / позначку на етикетці.
  - кольори: відокремте кольорові речі від білих.
- Перевірте кишені й гудзики.
- Не перевищуйте значення, вказані у "Таблиця програм", що відносяться до ваги сухої білизни.


### Скільки важить білизна?

- 1 простирadlo 400-500 г
- 1 наволочка 150-200 г
- 1 скатертина 400-500 г
- 1 махровий халат 900-1200 г
- 1 рушник 150-250 г

## Особливі речі

**Шовк:** використовуйте спеціальну програму **9** для прання шовкових речей. Рекомендується використання спеціального прального засобу для делікатних виробів.

**Штори:** рекомендується скласти й покласти у наволочку або мішечок з сітки. Скористайтеся програмою **9**.

**Вовна:** за допомогою програми **10** можна прати у пральній машині всі вироби із вовни, навіть ті, що мають ярлик "тільки ручне прання" . Щоб отримати кращі результати, використовуйте спеціальний пральний засіб та не перевищуйте завантаження в 1 кг.

**Jeans:** виверніть навиворіт речі ще до завантаження та скористайтеся рідким засобом для прання. Скористайтеся програмою **11**.

## Система балансування завантаження

До кожного віджиму у центрифугі, для запобігання надмірній вібрації та для рівномірного розподілу завантаження, барабан здійснює оберт на дещо більшій швидкості, ніж швидкість прання. Якщо по закінченні декількох спроб завантажені речі ще не були правильно відбалансовані, запустить центрифугу на швидкості, меншій за передбачену. У випадку надмірної незбалансованості пральна машина здійснює розподіл завантаження та його правильного балансування рекомендується одночасне прання великих і малих речей.

# Несправності та засоби їх усунення

Може так статися, що пральна машина не працюватиме. Перш ніж зателефонувати до служби Допомоги (див. “Допомога”), перевірте можливість легкого усунення проблеми за допомогою наступного списку.

## Несправності:

**Пральна машина не вмикається.**

## Можливі причини/Рішення:

- Штепсель не вставлений в електричну розетку або вставлений не до кінця.
- У будинку немає електроенергії.

**Цикл прання не розпочинається.**

- Люк погано закрито.
- Кнопку ON/OFF не було натиснуто.
- Кнопку START/PAUSE не було натиснуто.
- Водопровідний кран закритий.
- Якщо відстрочення задане на час запуску (ВІДСТРОЧЕНИЙ ПУСК див. “Налаштування під власні потреби”).

**В пральну машину не потрапляє вода (на дисплеї з’являється позначка “H2O”, що блимає).**

- Трубу подачі води не під’єднано до водопровідного крану.
- Перегин у трубі.
- Водопровідний кран закритий.
- У водопроводі немає води.
- Недостатній тиск.
- Кнопку START/PAUSE не було натиснуто.

**Пральна машина безперервно завантажує та зливає воду.**

- Зливний шланг не знаходиться на відстані від 65 до 100 см від підлоги (див. “Встановлення”).
- Кінець зливного шланга занурений у воду (див. “Встановлення”).
- Стінний каналізаційний злив не має віддушини для виходу повітря (вантуза). Якщо після таких перевірок проблема залишається, закрийте водопровідний кран, вимкніть машину і зателефонуйте до служби Допомоги. Якщо квартира знаходиться на верхніх поверхах будинку, можливо, відбувається сифонний ефект, при якому машина безперервно завантажує й зливає воду. Щоб його ліквідувати, існують спеціальні антисифонні клапани, які можна придбати у торговельній мережі.

**Пральна машина не зливає воду або не вмикає центрифугу.**

- Програма не передбачає зливання води: у деяких програмах це потрібно зробити вручну.
- Перегин зливного шланга (див. “Встановлення”).
- Засмітився зливний шланг.

**Пральна машина дуже вібрує під час роботи центрифуги.**

- Барабан, у момент встановлення, не був правильно розблокований (див. “Встановлення”).
- Машина стоїть не на рівній поверхні (див. “Встановлення”).
- Машину затиснуто між меблями і стіною (див. “Встановлення”).

**З пральної машини витікає вода.**

- Погано пригвинчено трубу подачі води (див. “Встановлення”).
- Забруднена касета для пральних засобів (як вимити див. “Догляд та очищення”).
- Погано закріплений зливний шланг (див. “Встановлення”).

**Світлодіоди “опцій” та “START/PAUSE” блимають, один зі світлодіодів “поточної фази” та “ЛЮК ЗАБЛОКОВАНО” світитиметься постійно.**

- Вимкніть машину й витягніть штепсель з розетки, зачекайте близько 1 хвилини й увімкніть її повторно. Якщо несправність не усунено, зателефонуйте до служби Допомоги.

**Утворюється занадто багато піни.**

- Пральний засіб не підходить до пральної машини (повинен мати напис “для машинного прання”, “для ручного та машинного прання” або подібні).
- Перевищена доза прального засобу.

UA

## Перш ніж звернутися по Допомогу:

- Перевірте, чи можна самостійно вирішити проблему (див. "Несправності і засоби їх усунення").
- Перезапустіть програму, щоб перевірити, чи усунено несправність;
- У протилежному випадку, зверніться до авторизованої служби технічної Допомоги за телефонним номером, вказаним на гарантійному сертифікаті.

! Звертайтеся виключно до уповноважених фахівців.

## Треба повідомити:

- тип несправності;
- модель машини (Мод.);
- серійний номер (S/N).

Цю інформацію ви знайдете на шильдику на задній стороні пральної машини та на передній стороні, якщо відкрити люк.