

Europe, Middle East

ENGLISH

FRANÇAIS

DEUTSCH

NEDERLANDS

ITALIANO

ESPAÑOL

PORTUGUÊS

РУССКИЙ

ČESTINA

TÜRKÇE

POLSKI

SVENSKA

SUOMI

SLOVENCINA

MAGYAR NYELV

עברית

العربية

North America/

Norteamérica

ENGLISH

FRANÇAIS

ESPAÑOL

Latin America/

América Latina

ENGLISH

ESPAÑOL

PORTUGUÊS

Asia Pacific

日本語

简体中文

繁體中文

한국어

ENGLISH

THRUSTMASTER®

T-LCM PEDALS

LOAD CELL & MAGNETICS

T-LCM PEDALS

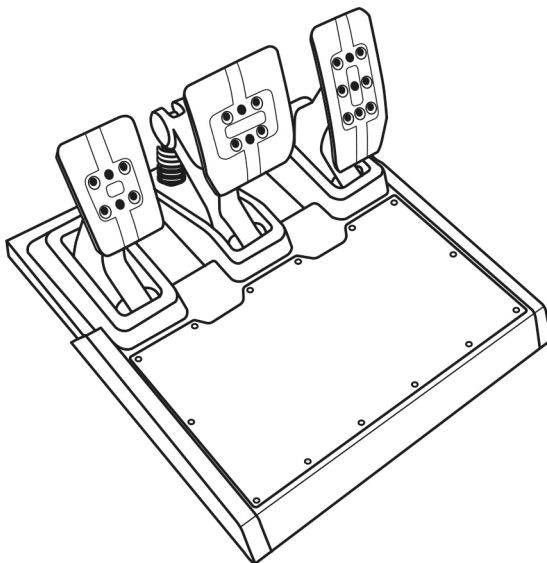
LOAD CELL & MAGNETICS

PC – PlayStation®4 – Xbox One®

User Manual

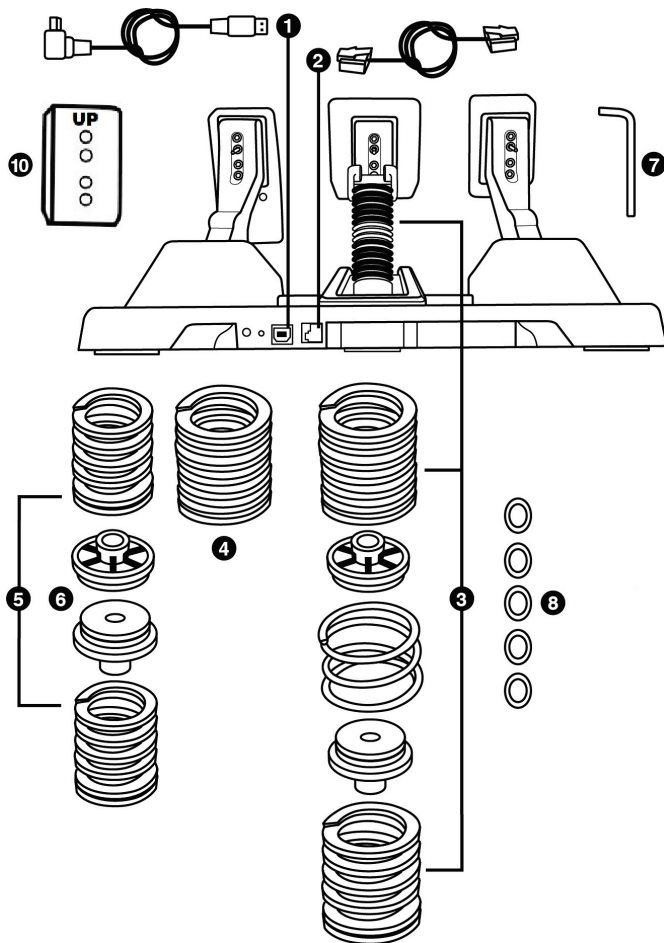


Before using this product, please read this user manual carefully and save it for later reference.



TECHNICAL FEATURES

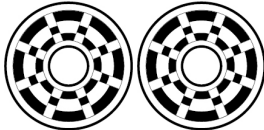

General overview



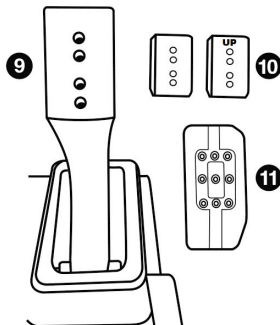
- 1 Removable USB cable; USB connector on the back of the pedal set
- 2 Removable RJ12 cable; RJ12 connector on the back of the pedal set
- 3 Medium resistance, preinstalled by default (1 black F20 spring + 1 grey F15 spring) (+ 1 central chrome-plated preloading spring) (+ 2 spacers without markings)
- 4 1 white F10 spring
- 5 2 red F30 springs
- 6 2 spacers with red markings (specifically designed for use with the red F30 springs)
- 7 2.5 mm Allen key
- 8 5 flat washers (to decrease or eliminate the preloading of the central chrome-plated spring)
- 10 Plastic pedal head support for vertical inclination of pedals

Spacers

2 types of spacers are included. It is important to use the proper type of spacer, depending on the type of spring selected.

	<p><u>Spacers without color markings</u> <u>(and with grooves)</u></p> <p>For use with the following springs: White F10 Grey F15 Black F20</p>
	<p><u>Spacers with red markings</u> <u>(and without grooves)</u></p> <p>Specifically designed for use with the following springs: Red F30</p>

Pedal arms and heads



- 9 Metal pedal arm with 4 holes
- 10 Plastic pedal head support (to be positioned between the pedal head and arm) with 4 holes
- 11 Metal pedal heads (with different numbers of holes: 9 for the accelerator pedal; 6 for the brake pedal; 6 for the clutch pedal)

CALIBRATION SOFTWARE

⚠ VERY IMPORTANT ⚠

This procedure must be followed when changing the brake pedal's resistance.

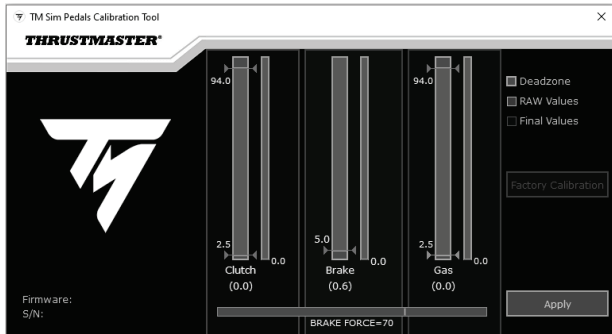
Connect the pedal set to a PC using the removable USB cable (1).

The removable RJ12 cable (2) must not be connected to the pedal set during this procedure.

Visit <https://support.thrustmaster.com>. Click **Racing Wheels / T-LCM Pedals**, then select **Software**.

Download and install the calibration software:

- To adjust the dead zones at the beginning of the range of travel on all three pedals to your liking.
- To adjust the dead zones at the end of the range of travel on the accelerator pedal and clutch pedal to your liking.
- To adjust the electronic force (Brake Force) on the brake pedal to your liking.



Once the different settings have been properly configured, click **APPLY**, and then disconnect the removable USB cable (1). The settings are saved in the pedal set's internal memory: they will be effective in all of your games, on PC and game consoles.

UPDATING THE PEDAL SET'S FIRMWARE

In order to update the firmware, the pedal set must be connected to a PC via the removable USB cable (1).

The firmware included in the pedal set can be updated with more recent versions allowing for product improvements.

The firmware version is displayed in the lower left-hand corner of the calibration software.

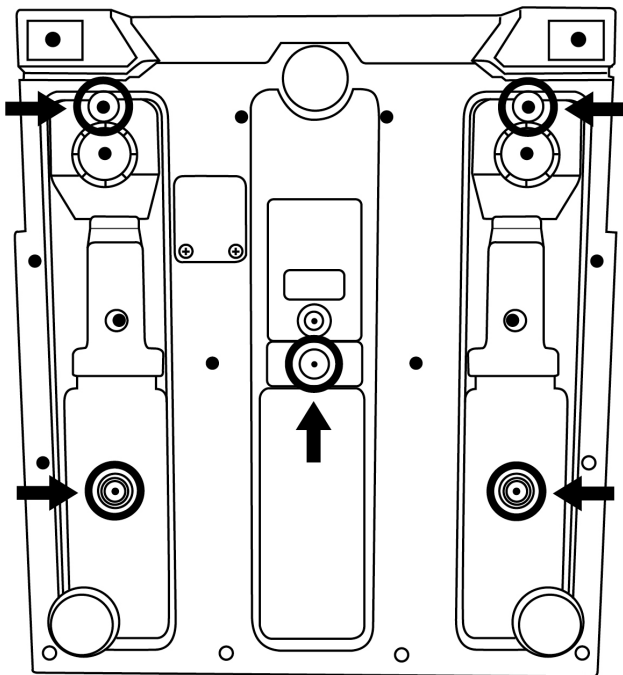
To update the pedal set's firmware: on PC, visit <https://support.thrustmaster.com>, click **Racing Wheels / T-LCM Pedals**, then select **Firmware** and follow the download and installation instructions and procedure.

ATTACHING THE PEDAL SET TO A SUPPORT OR COCKPIT

The pedal set can be attached to a variety of different compatible supports (sold separately) using the five M6-type screw threads located underneath the base. To do so, screw at least two M6 screws (not included) through the support shelf, and into the screw threads on the underside of the pedal set's base.



Important: the length of the M6 screws must not exceed the thickness of your support by more than 0.47 inches/12 mm, so as not to risk damaging the pedal set's internal components.



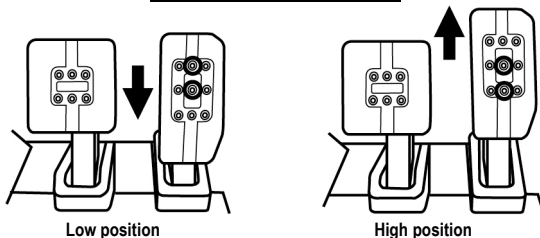
The pedal set's setup diagrams for cockpits and other supports are available at <https://support.thrustmaster.com>: click **Racing Wheels / T-LCM Pedals**, and then **Template - Cockpit setup**.

MECHANICAL SETTINGS FOR THE PEDAL SET

Adjusting the height of the pedals

- Using the included 2.5 mm Allen key (7), unscrew the two screws holding the metal pedal head (11) and its plastic support (10) in place.
- Choose your preferred position in terms of height, and then fasten everything together again using the screws.

Examples with the accelerator pedal:



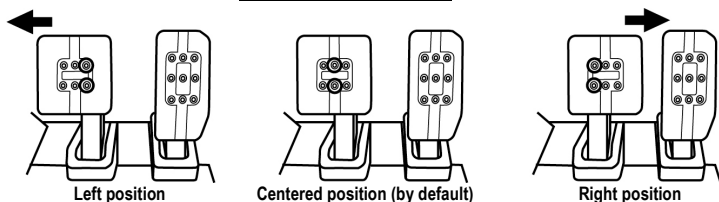
Number of different height positions per pedal:

- 3 for the accelerator pedal
- 2 for the brake pedal
- 2 for the clutch pedal

Adjusting the spacing of the three pedals

- Using the included 2.5 mm Allen key (7), unscrew the two screws holding the metal pedal head (11) and its plastic support (10) in place.
- Choose your preferred position (to the left, centered or to the right), and then fasten everything together using the screws.

Examples with the brake pedal:



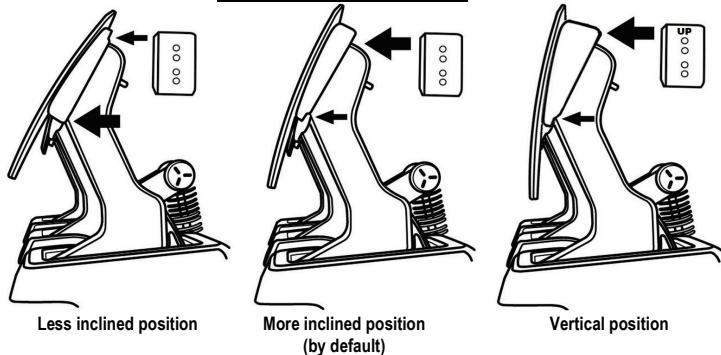
Number of different spacing positions per pedal:

- 3 for the accelerator pedal
- 3 for the brake pedal
- 3 for the clutch pedal

Adjusting the inclination of the pedals

- Using the included 2.5 mm Allen key (7), unscrew the two screws holding the metal pedal head (11) and its plastic support (10) in place.
- Next, rotate the plastic pedal head support (10) 180° (or change it), and then fasten everything together again using the screws.

Examples with the accelerator pedal:



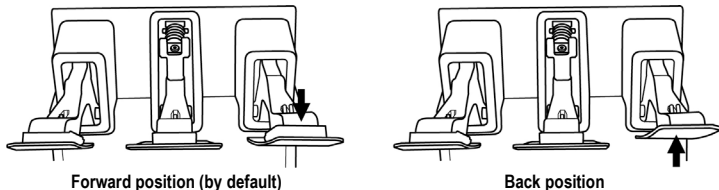
Number of different inclination positions per pedal:

- 3 for the accelerator pedal
- 3 for the brake pedal
- 3 for the clutch pedal

Adjusting the alignment of the pedals

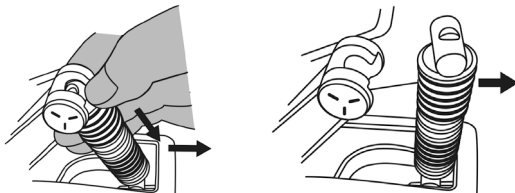
- Install the plastic pedal head support (10) to move a pedal forward.
- Remove the plastic pedal head support (10) to move a pedal back.

Examples with the accelerator pedal:

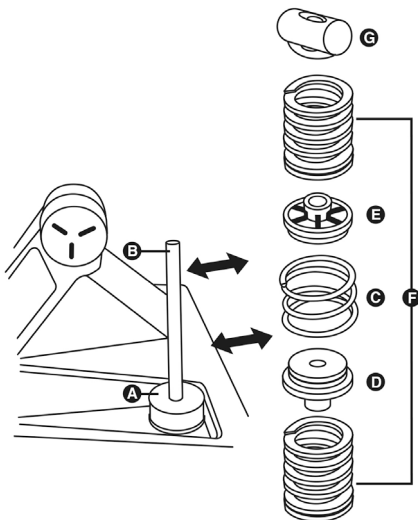


Changing the brake pedal's resistance

- Disconnect the pedal set from the PC or game console and push down firmly on the washer of the upper retaining head (**G**) (located at the back of the pedal), and then pull this component backward to free it from the metal arm.



- Remove the different elements from the holding rod (**B**).



A Load Cell force sensor

⚠ Never to be removed from the holding rod!

B Holding rod for springs column

C Central 4-spiral chrome-plated preloading spring

D Rubber spacer

E Plastic spacer

F Main 7-spiral springs
(F10, F15, F20, F30)

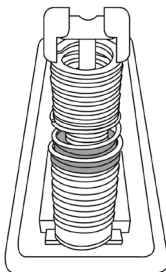
G Upper retaining head with washer

The brake pedal's resistance can be adjusted by replacing or mixing the main F springs:

F spring color	Spring resistance
WHITE (1 included)	F10
GREY (1 included)	F15
BLACK (1 included)	F20
RED (2 included)	F30

- Reposition the different elements and the main springs (**F10, F15, F20 or F30**) of your choice (along with the appropriate spacers) on the holding rod.

Example	Resistance
1 white F10 spring + 1 grey F15 spring	Weak resistance
1 grey F15 spring + 1 black F20 spring (installed by default)	Medium resistance
2 red F30 springs	Strong resistance



Don't hesitate to mix and test out the different springs (a variety of different combinations are possible) in order to find the level of resistance that suits you best.

Once you have modified the resistance, connect the pedal set to a PC via the removable USB cable (1), then carry out a new calibration of the brake pedal via the calibration software. This new calibration (corresponding to the new brake pedal resistance) will automatically be saved in the pedal set's internal memory, and will be effective in all of your games on PC and game consoles.

⚠ VERY IMPORTANT ⚠

The pedal set's default calibration at the factory is carried out with one grey F15 spring and one black F20 spring (medium resistance). In the event that you change the springs (and therefore the brake pedal's resistance), you must recalibrate the brake pedal using the calibration software on PC: should you fail to do so, the brake pedal will not function properly on PC or game consoles.

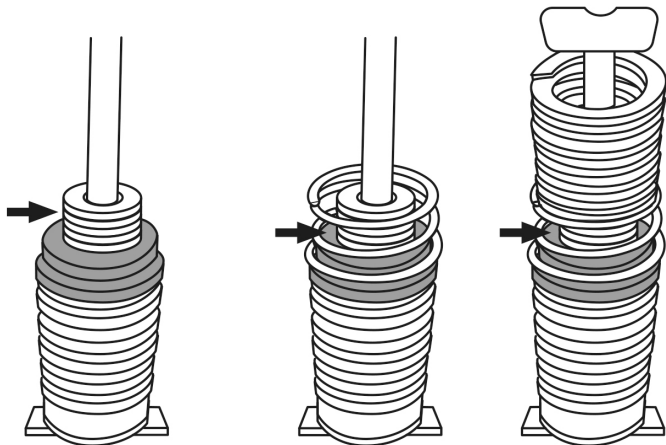
Decreasing or eliminating the brake pedal's preloading effect

For users who prefer more linear braking resistance, it is also possible to decrease or eliminate the preloading effect of the central chrome-plated preloading spring (C).

To do so, slide 1 to 5 flat washers (B) onto the holding rod, in the middle of the central chrome-plated preloading spring (C).

Please note: The more flat washers you add, the more the preloading effect will be decreased (or eliminated altogether, in the event that you use all 5 flat washers).

Example of eliminating the preloading effect by using all 5 flat washers:



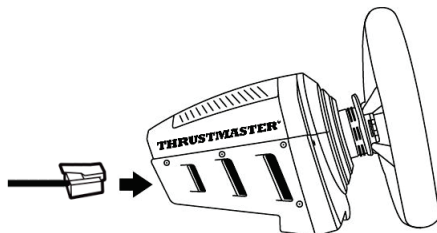
Important:

Adding these flat washers will also have the effect of reducing the brake pedal's mechanical travel.

USING THE PEDAL SET WITH A THRUSTMASTER RACING WHEEL BASE = REMOVABLE RJ12 CABLE (2) REQUIRED

(The removable USB cable (1) must not be connected to the pedal set during this type of use.)

COMPATIBILITY: PC AND GAME CONSOLES



⚠ VERY IMPORTANT ⚠

In order to ensure optimal operation of the pedal set connected directly to a Thrustmaster racing wheel base (TS-PC Racer, T-GT, T300, T150, TS-XW, TX and TMX), you must update the racing wheel base's firmware with the latest version available at <https://support.thrustmaster.com>. This new firmware will let you get the most out of the T-LCM Pedals pedal set's high level of precision, and use your personal settings made via the calibration software.

- Once the Thrustmaster racing wheel base's firmware has been updated, connect the pedal set at the back of the racing wheel base using the removable RJ12 cable (2).
- Connect the racing wheel to your PC or game console.
- **The MODE LED on the base of your racing wheel flashes 5 times to indicate that the pedal set is properly recognized, for optimal operation.**

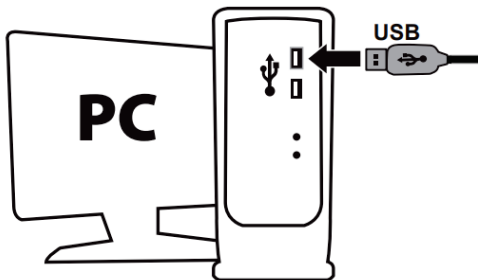
*In the event that the **MODE LED** does not flash as indicated above, this indicates that the base of your racing wheel has not been updated with the latest available firmware, and that the pedal set is not recognized as a high-precision **T-LCM Pedals** pedal set, but rather as a standard **T3PA** or **T3PA PRO**-type pedal set.*

YOU ARE NOW READY TO PLAY!

Please note: In this configuration, an official Thrustmaster wheel rim must be installed on the base of your racing wheel. Failure to do so will result in the pedal set not being recognized as a high-precision **T-LCM Pedals** pedal set.

**USING THE PEDAL SET WITH A NON-THRUSTMASTER RACING WHEEL
(ALSO POSSIBLE WITH A THRUSTMASTER RACING WHEEL BASE)
= REMOVABLE USB CABLE (1) REQUIRED**

COMPATIBILITY: PC ONLY



- Connect the pedal set to one of your PC's USB ports using the removable USB cable (1), and finish installing the drivers.
- When installation of the drivers is complete, click **Finish** and restart your computer.

YOU ARE NOW READY TO PLAY!

Notes for PC when the pedal set is connected via the USB cable:

- The pedal set is compatible with all racing wheels on the market in games supporting multi-USB connection and separate pedal sets.
- Remember to always completely close the **Game Controllers** window (by clicking **OK**), as well as the pedal set's calibration software, before starting your game.
- The pedal set's firmware version is displayed in the lower left-hand corner of the calibration software.

OVERVIEW OF HOW TO CONNECT THE PEDAL SET ACCORDING TO THE RACING WHEEL AND PLATFORM BEING USED

	Pedal set connection
On GAME CONSOLE with THRUSTMASTER RACING WHEEL	Removable RJ12 cable (2)
On PC with THRUSTMASTER RACING WHEEL	Removable RJ12 cable (2) or removable USB cable (1)
On PC with non-Thrustmaster racing wheel	Removable USB cable (1)

WARNING



For safety reasons, never use the pedal set with bare feet or while wearing only socks on your feet.

THRUSTMASTER® DISCLAIMS ALL RESPONSIBILITY IN THE EVENT OF INJURY RESULTING FROM USE OF THE PEDAL SET WITHOUT SHOES.



Warning – Electrical shock

- * Keep the product in a dry location and do not expose it to dust or sunlight.
- * Respect the connection polarities.
- * Do not twist or pull on the connectors and cables.
- * Do not spill any liquid on the product or its connectors.
- * Do not short-circuit the product.
- * Never dismantle the product (apart from any adjustments outlined in this user manual). Do not throw it onto a fire, and do not expose it to high temperatures.



Warning – Injuries due to repeated movements

Playing with a pedal set may cause muscle or joint pain. To avoid any problems:

- * Avoid lengthy gaming periods (take 10 to 15-minute breaks after each hour of play).
- * If you feel any fatigue or pain in your legs or feet, stop playing and rest for a few hours before you start playing again.
- * If the symptoms or pain indicated above persist when you start playing again, stop playing and consult your doctor.



Warning – Pedal set pinching hazard during gaming sessions

- * Keep the pedal set out of the reach of children.
- * During gaming sessions, never place your fingers (or other parts of your body) on or near the pedal arms.

NEVER



VARIOUS TIPS AND TRICKS (not included in this manual)

Various tips and tricks are available at <https://support.thrustmaster.com>: click **Racing Wheels / T-LCM Pedals**.

CONSUMER WARRANTY INFORMATION

Worldwide, Guillemot Corporation S.A., whose registered office is located at Place du Granier, B.P. 97143, 35571 Chantepie, France (hereinafter "Guillemot") warrants to the consumer that this Thrustmaster product shall be free from defects in materials and workmanship, for a warranty period which corresponds to the time limit to bring an action for conformity with respect to this product. In the countries of the European Union, this corresponds to a period of two (2) years from delivery of the Thrustmaster product. In other countries, the warranty period corresponds to the time limit to bring an action for conformity with respect to the Thrustmaster product according to applicable laws of the country in which the consumer was domiciled on the date of purchase of the Thrustmaster product (if no such action exists in the corresponding country, then the warranty period shall be one (1) year from the original date of purchase of the Thrustmaster product).

Notwithstanding the above, rechargeable batteries are covered by a warranty period of six (6) months from the date of original purchase.

Should the product appear to be defective during the warranty period, immediately contact Technical Support, who will indicate the procedure to follow. If the defect is confirmed, the product must be returned to its place of purchase (or any other location indicated by Technical Support).

Within the context of this warranty, the consumer's defective product shall, at Technical Support's option, be either replaced or returned to working order. If, during the warranty period, the Thrustmaster product is subject to such reconditioning, any period of at least seven (7) days during which the product is out of use shall be added to the remaining warranty period (this period runs from the date of the consumer's request for intervention or from the date on which the product in question is made available for reconditioning, if the date on which the product is made available for reconditioning is subsequent to the date of the request for intervention). If permitted under applicable law, the full liability of Guillemot and its subsidiaries (including for consequential damages) is limited to the return to working order or the replacement of the Thrustmaster product. If permitted under applicable law, Guillemot disclaims all warranties of merchantability or fitness for a particular purpose.

This warranty shall not apply: (1) if the product has been modified, opened, altered, or has suffered damage as a result of inappropriate or abusive use, negligence, an accident, normal wear, or any other cause unrelated to a material or manufacturing defect (including, but not limited to, combining the Thrustmaster product with any unsuitable element, including in particular power supplies, rechargeable batteries, chargers, or any other elements not supplied by Guillemot for this product); (2) if the product has been used for any use other than home use, including for professional or commercial purposes (game rooms, training, competitions, for example); (3) in the event of failure to comply with the instructions provided by Technical Support; (4) to software, said software being subject to a specific warranty; (5) to consumables (elements to be replaced over the product's lifespan: disposable batteries, audio headset or headphone ear pads, for example); (6) to accessories (cables, cases, pouches, bags, wrist-straps, for example); (7) if the product was sold at public auction.

This warranty is nontransferable.

The consumer's legal rights with respect to laws applicable to the sale of consumer goods in his or her country are not affected by this warranty.

Additional warranty provisions

During the warranty period, Guillemot shall not provide, in principle, any spare parts, as Technical Support is the only party authorized to open and/or recondition any Thrustmaster product (with the exception of any reconditioning procedures which Technical Support may request that the consumer carry out, by way of written instructions – for example, due to the simplicity and the lack of confidentiality of the reconditioning process – and by providing the consumer with the required spare part(s), where applicable).

Given its innovation cycles and in order to protect its know-how and trade secrets, Guillemot shall not provide, in principle, any reconditioning notification or spare parts for any Thrustmaster product whose warranty period has expired.

In the United States of America and in Canada, this warranty is limited to the product's internal mechanism and external housing. In no event shall Guillemot or its affiliates be held liable to any third party for any consequential or incidental damages resulting from the breach of any express or implied warranties. Some States/Provinces do not allow limitation on how long an implied warranty lasts or exclusion or limitation of liability for consequential or incidental damages, so the above limitations or exclusions may not apply to you. This warranty gives you specific legal rights, and you may also have other rights which vary from State to State or Province to Province.

Liability

If permitted under applicable law, Guillemot Corporation S.A. (hereinafter "Guillemot") and its subsidiaries disclaim all liability for any damages caused by one or more of the following: (1) the product has been modified, opened or altered; (2) failure to comply with assembly instructions; (3) inappropriate or abusive use, negligence, an accident (an impact, for example); (4) normal wear; (5) the use of the product for any use other than home use, including for professional or commercial purposes (game rooms, training, competitions, for example). If permitted under applicable law, Guillemot and its subsidiaries disclaim all liability for any damages unrelated to a material or manufacturing defect with respect to the product (including, but not limited to, any damages caused directly or indirectly by any software, or by combining the Thrustmaster product with any unsuitable element, including in particular power supplies, rechargeable batteries, chargers, or any other elements not supplied by Guillemot for this product).

THRUSTMASTER®

TECHNICAL SUPPORT

<https://support.thrustmaster.com>



DECLARATION OF CONFORMITY

CANADIAN COMPLIANCE NOTICE: this Class B digital apparatus meets all requirements of the Canadian Interference-Causing Equipment Regulations.

USA COMPLIANCE NOTICE: this equipment has been tested and found to comply with the limits for a Class B digital device, pursuant to Part 15 of the FCC rules. Operation is subject to the following two conditions:

- (1) This device may not cause harmful interference, and
- (2) This device must accept any interference received, including interference that may cause undesired operation.

These limits are designed to provide reasonable protection against harmful interference in a residential installation. This equipment generates, uses and can radiate radio frequency energy and, if not installed and used in accordance with the instructions, may cause harmful interference to radio communications. However, there is no guarantee that interference will not occur in a particular installation. If this equipment does cause harmful interference to radio or television reception, which can be determined by turning the equipment on and off, the user is encouraged to try to correct the interference by one or more of the following measures:

- Reorient or relocate the receiving antenna.
- Increase the separation between the equipment and receiver.
- Connect the equipment into an outlet on a circuit different from that to which the receiver is connected.
- Consult the dealer or an experienced radio/TV technician for help.

COPYRIGHT

© 2019 Guillemot Corporation S.A. All rights reserved. Thrustmaster® is a registered trademark of Guillemot Corporation S.A. PlayStation® is a registered trademark of Sony Interactive Entertainment Inc. Windows® is a registered trademark of Microsoft Corporation in the United States and/or other countries. All other trademarks and brand names are hereby acknowledged and are property of their respective owners. Illustrations not binding. Contents, designs and specifications are subject to change without notice and may vary from one country to another. Made in China.

ENVIRONMENTAL PROTECTION RECOMMENDATION



* In the European Union: At the end of its working life, this product should not be disposed of with standard household waste, but rather dropped off at a collection point for the disposal of Waste Electrical and Electronic Equipment (WEEE) for recycling.

This is confirmed by the symbol found on the product, user manual or packaging.

Depending on their characteristics, the materials may be recycled. Through recycling and other forms of processing Waste Electrical and Electronic Equipment, you can make a significant contribution towards helping to protect the environment.

Please contact your local authorities for information on the collection point nearest you.

For all other countries: Please adhere to local recycling laws for electrical and electronic equipment.

Retain this information. Colours and decorations may vary.

Plastic fasteners and adhesives should be removed from the product before it is used.

www.thrustmaster.com

**Applicable to EU and Turkey only*



T-LCM PEDALS

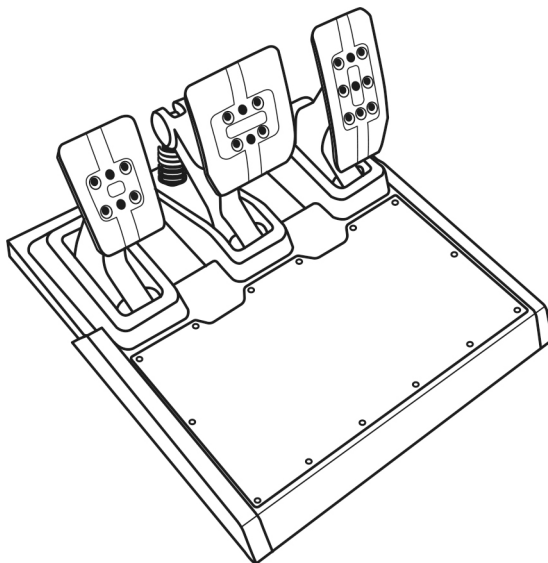
LOAD CELL & MAGNETICS

PC – PlayStation®4 – Xbox One®

Manuel de l'utilisateur

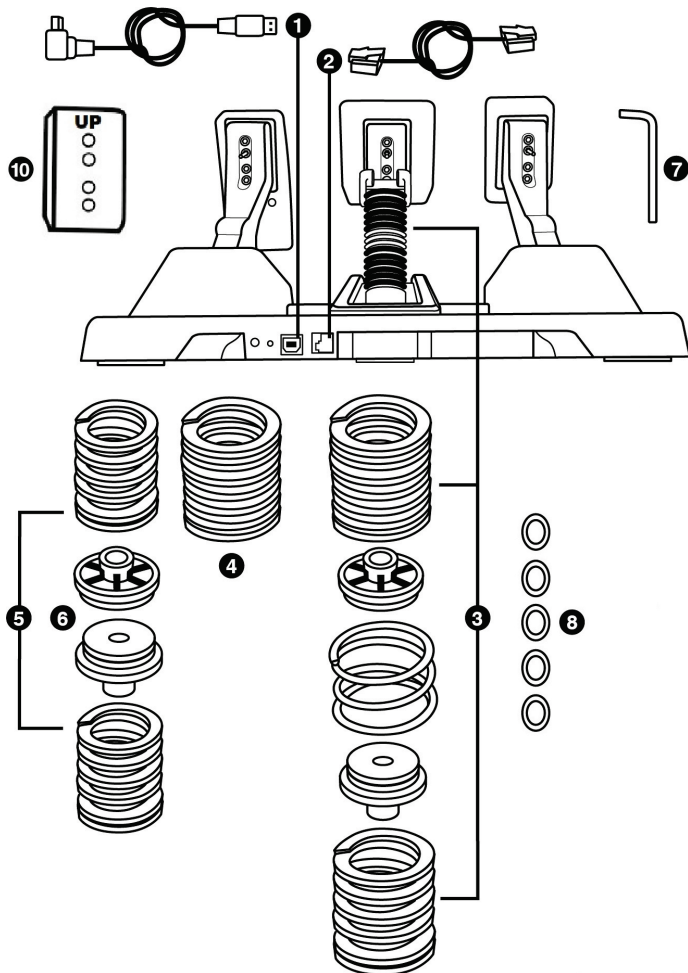


Avant d'utiliser le produit, lisez attentivement cette documentation et conservez-la pour pouvoir la consulter ultérieurement !



CARACTÉRISTIQUES TECHNIQUES

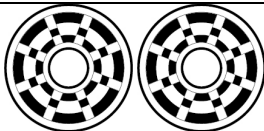

Vue d'ensemble



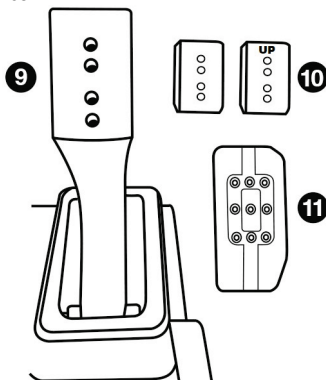
- 1 Câble amovible USB et connecteur USB situé à l'arrière du pédalier
- 2 Câble amovible RJ12 et connecteur RJ12 situé à l'arrière du pédalier
- 3 Résistance moyenne, préinstallée par défaut (1 ressort noir F20 + 1 ressort gris F15) (+ 1 ressort central chromé de précontrainte) (+ 2 entretoises sans marquages)
- 4 1 ressort blanc F10
- 5 2 ressorts rouges F30
- 6 2 entretoises avec marquage rouge (spécifiquement adaptées aux ressorts rouges F30)
- 7 Clé Allen 2,5 mm
- 8 5 rondelles plates (pour limiter ou supprimer la précontrainte du ressort central chromé)
- 10 Support de tête plastique pour inclinaison des pédales à la verticale

Entretoises

Deux types d'entretoises sont inclus. Il est important d'utiliser le bon type en fonction du ressort choisi.

	<p><u>Entretoises sans marquage de couleur (et avec rainurage)</u> Adaptées aux ressorts : Blanc F10 Gris F15 Noir F20</p>
	<p><u>Entretoises avec marquage rouge (et sans rainurage)</u> Spécifiquement adaptées aux ressorts : Rouge F30</p>

Bras et têtes de pédales



- 9 Bras métallique de pédale avec 4 perforations
- 10 Support de tête plastique (à placer entre la tête et le bras) avec 4 perforations
- 11 Tête métallique de pédale avec plusieurs perforations (9 pour l'accélérateur – 6 pour le frein – 6 pour l'embrayage).

⚠ TRÈS IMPORTANT ⚠

À utiliser impérativement en cas de modification de la résistance de la pédale de frein.

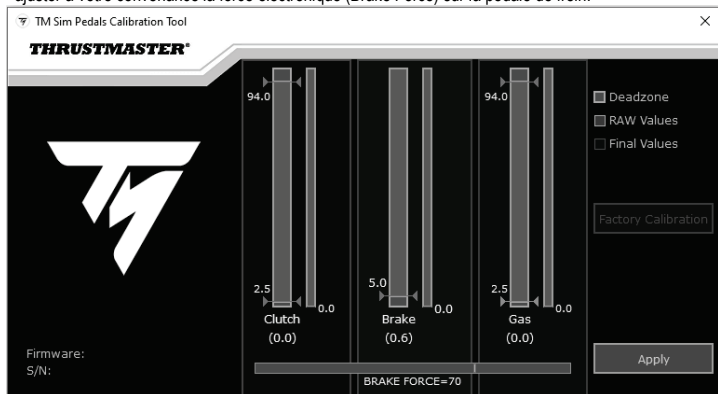
Reliez le pédalier au PC via le câble amovible USB (1).

Le câble amovible RJ12 (2) ne doit pas être relié au pédalier pendant cette opération.

Allez sur <https://support.thrustmaster.com/>. Cliquez sur **Volants / T-LCM Pedals**, puis sélectionnez **Logiciel**.

Téléchargez et installez le logiciel de calibration pour :

- ajuster à votre convenance les zones mortes en début de course sur les trois pédales,
- ajuster à votre convenance les zones mortes en fin de course sur la pédale d'accélérateur et d'embrayage,
- ajuster à votre convenance la force électronique (Brake Force) sur la pédale de frein.



Une fois les réglages effectués, cliquez sur **APPLY**, puis débranchez le câble USB (1).
Les réglages sont sauvegardés dans la mémoire interne du pédalier. Ils sont effectifs dans l'ensemble de vos jeux, sur PC ou consoles.

MISE À JOUR DU FIRMWARE DU PÉDALIER

Pour effectuer la mise à jour du firmware, le pédalier doit être relié au PC via le câble amovible USB (1).

Le firmware inclus dans le pédalier peut être mis à jour par des versions plus récentes comportant des améliorations produit.

La version de firmware apparaît en bas à gauche dans le logiciel de calibration.

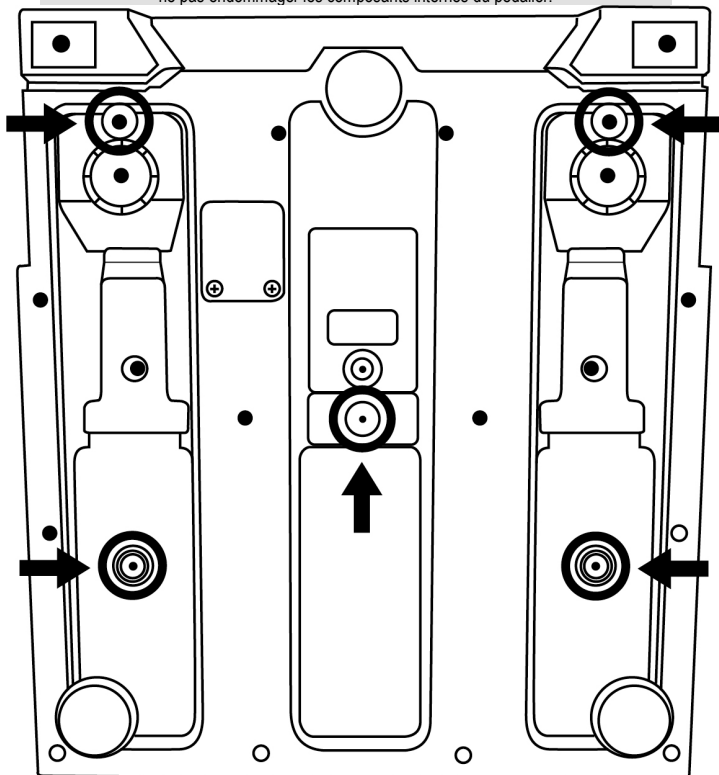
Pour mettre à jour le pédalier : sur PC, allez sur <https://support.thrustmaster.com/>, cliquez sur **Volants / T-LCM Pedals**, puis sélectionnez **Firmware** et suivez les instructions et la procédure de téléchargement et d'installation.

FIXATION DU PÉDALIER SUR UN SUPPORT OU UN COCKPIT

Le pédalier peut être fixé sur divers supports compatibles (vendus séparément) via cinq pas de vis M6 situés sous sa base. Pour ce faire : vissez au minimum deux vis M6 (non fournies) dans la tablette du support et dans les pas de vis du pédalier.



La longueur des vis M6 ne doit pas dépasser l'épaisseur de votre support +12 mm afin de ne pas endommager les composants internes du pédalier.



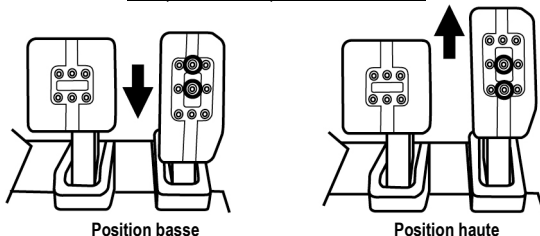
Le plan d'implantation du pédalier pour les supports est disponible sur <https://support.thrustmaster.com> : cliquez sur Volants / T-LCM Pedals, puis sur Template - Cockpit Setup.

RÉGLAGES MÉCANIQUES DU PÉDALIER

Ajuster la HAUTEUR des pédales

- A l'aide de la clé Allen 2,5 mm fournie (7), dévissez les 2 vis maintenant la tête métallique (11) et son support (10).
- Choisissez votre position en hauteur, puis revissez le tout.

Exemples ici avec la pédale d'accélérateur :



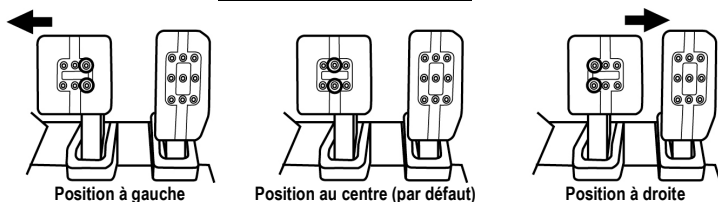
Nombre de positions en hauteur possibles par pédale :

- 3 pour la pédale d'accélérateur
- 2 pour la pédale de frein
- 2 pour la pédale d'embrayage

Ajuster l'ÉCARTEMENT des trois pédales

- A l'aide de la clé Allen 2,5 mm fournie (7), dévissez les 2 vis maintenant la tête métallique (11) et son support (10).
- Choisissez votre position (à gauche, au centre ou à droite), puis revissez le tout.

Exemples ici avec la pédale de frein :



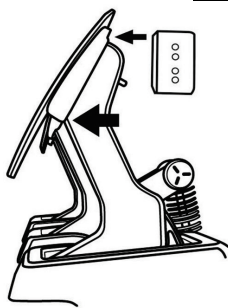
Nombre de positions en écartement possibles par pédale :

- 3 pour la pédale d'accélérateur
- 3 pour la pédale de frein
- 3 pour la pédale d'embrayage

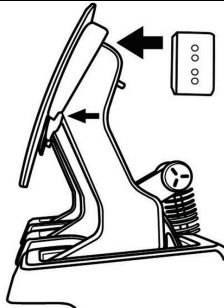
Ajuster l'INCLINAISON des pédales

- A l'aide de la clé Allen 2,5 mm fournie (7), dévissez les 2 vis maintenant la tête métallique (11) et son support (10).
- Retournez ensuite de 180° (ou changez) le support de tête plastique (10), puis revissez le tout.

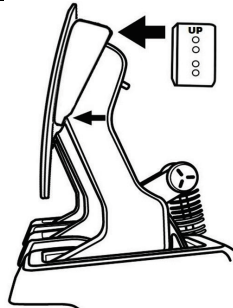
Exemples ici avec la pédale d'accélérateur :



Position moins inclinée



Position plus inclinée
(par défaut)



Position verticale

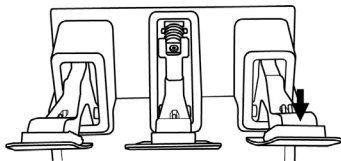
Nombre de positions d'inclinaison possibles par pédale :

- 3 pour la pédale d'accélérateur
- 3 pour la pédale de frein
- 3 pour la pédale d'embrayage

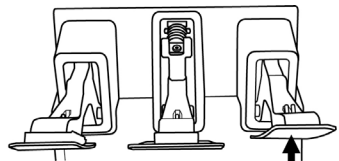
Ajuster l'ALIGNEMENT des pédales

- Installez la tête plastique (10) pour avancer une pédale
- Retirez la tête plastique (10) pour reculer une pédale

Exemples ici avec la pédale d'accélérateur :



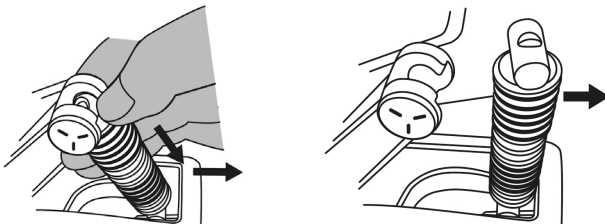
Position avancée (par défaut)



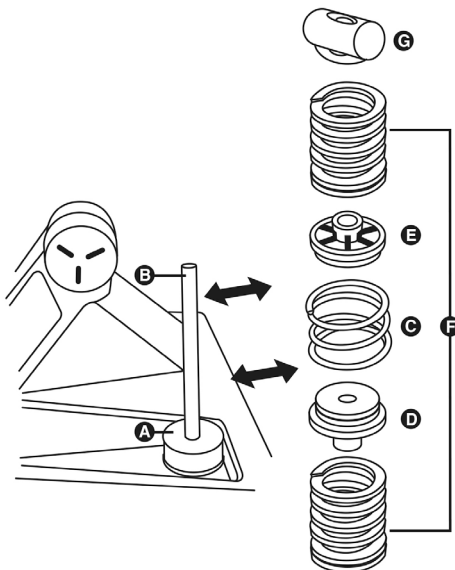
Position reculée

Modifier la RÉSISTANCE DE LA PÉDALE DE FREIN

- Débranchez le pédalier et appuyez fortement sur la rondelle de la tête de maintien supérieur (G) (située à l'arrière de la pédale) puis tirez l'ensemble vers l'arrière pour le libérer du bras métallique.



- Retirez les différents éléments de la tige de maintien (B).



A Capteur de force Load Cell

⚠ A ne jamais retirer de la tige de maintien !

B Tige de maintien de la colonne des ressorts

C Ressort central chromé de précontrainte à 4 spirales

D Entretoise caoutchoutée

E Entretoise plastique

F Ressorts principaux à 7 spirales
(F10, F15, F20, F30)

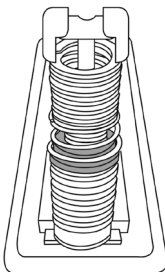
G Tête de maintien supérieur avec rondelle

La résistance de la pédale de frein est ajustable en remplaçant ou mixant les ressorts principaux F :

Couleur du ressort F	Résistance du ressort
BLANC (1 inclus)	F10
GRIS (1 inclus)	F15
NOIR (1 inclus)	F20
ROUGE (2 inclus)	F30

- Repositionnez les différents éléments et les ressorts principaux (**F10, F15, F20 ou F30**) de votre choix (avec les entretoises adaptées) sur la tige de maintien.

Exemple	Résistance
1 ressort blanc F10 + 1 ressort gris F15	Résistance faible
1 ressort gris F15 + 1 ressort noir F20 (installés par défaut)	Résistance moyenne
2 ressorts rouges F30	Résistance forte



N'hésitez pas à mixer et tester les différents ressorts (de multiples combinaisons sont possibles) pour trouver la résistance qui vous convient le mieux.

Après avoir modifié la résistance, reliez le pédalier au PC via le câble amovible USB (1), puis effectuez une nouvelle calibration de la pédale de frein via le logiciel de calibration. Cette nouvelle calibration (correspondant à la nouvelle résistance) sera automatiquement sauvegardée dans la mémoire interne du pédalier et sera effective dans l'ensemble de vos jeux, sur PC ou consoles.

▲ TRÈS IMPORTANT ▲

Le pédalier est calibré par défaut à l'usine avec un ressort gris F15 et un ressort noir F20 (résistance moyenne). En cas de changement de ressorts (et donc de la résistance), il est impératif d'effectuer une nouvelle calibration de la pédale de frein via le logiciel de calibration sur PC. Dans le cas contraire, la pédale de frein ne fonctionnera pas correctement sur PC ou sur consoles.

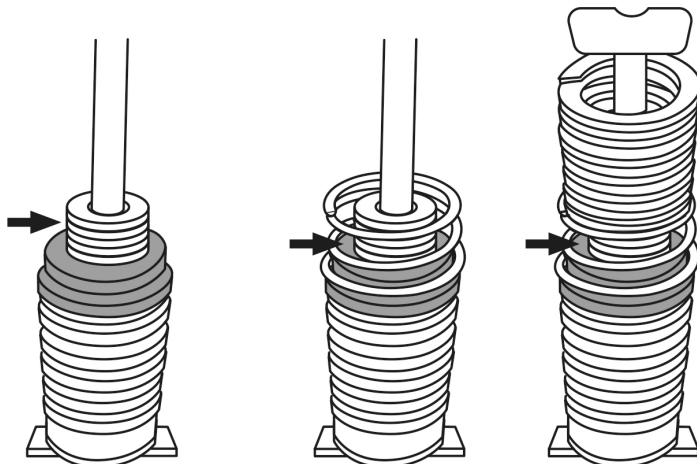
Diminuer ou supprimer l'EFFET DE PRECONTRAINTE DE LA PÉDALE DE FREIN

Pour ceux qui souhaitent une résistance de frein plus linéaire, il est également possible de diminuer ou de supprimer l'effet de précontrainte du ressort central chromé (C).

Pour ce faire, enfiler sur la tige de maintien, au milieu du ressort central chromé de précontrainte, de 1 à 5 rondelles plates (8).

Remarque : plus vous ajouterez de rondelles, plus l'effet de précontrainte sera diminué (et même supprimé en cas d'utilisation des 5 rondelles au total).

Exemple de suppression de l'effet avec l'utilisation des 5 rondelles :



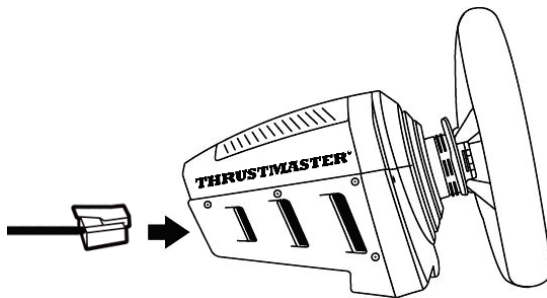
Attention :

L'ajout de ces rondelles aura également pour effet de réduire la course mécanique de la pédale.

UTILISATION DU PÉDALIER AVEC UNE BASE DE VOLANT THRUSTMASTER = CÂBLE AMOVIBLE RJ12 (2) REQUIS

(le câble USB amovible (1) ne doit pas être relié au pédalier pendant cette utilisation)

COMPATIBILITÉ : PC ET CONSOLES DE JEU



⚠ TRÈS IMPORTANT ⚠

Pour un fonctionnement optimal du pédalier branché directement sur une base de volant Thrustmaster (TS-PC Racer, T-GT, T300, T150, TS-XW, TX et TMX), il est impératif de mettre à jour le firmware de cette base avec la toute dernière version disponible sur <https://support.thrustmaster.com/>.

Ce nouveau firmware permet de profiter pleinement de la haute précision du pédalier T-LCM Pedals et d'utiliser vos réglages personnels effectués préalablement via le logiciel de calibration.

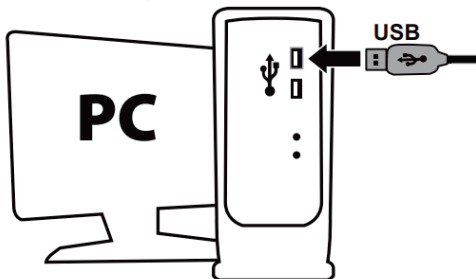
- Une fois la mise à jour du firmware de la base Thrustmaster effectuée, reliez le pédalier à l'arrière de la base du volant via le câble amovible RJ12 (2).
- Reliez votre volant à votre PC ou votre console de jeu.
- **Le voyant lumineux MODE de la base de votre volant clignote alors 5 fois pour indiquer que le pédalier est bien reconnu pour un fonctionnement optimal**
(en cas de non-clignotement cela signifie que la base de votre volant n'a pas été mise à jour avec le dernier firmware disponible et que le pédalier n'est pas reconnue comme un T-LCM Pedals haute précision mais comme un pédalier classique du type T3PA ou T3PA-PRO).

VOUS ÊTES MAINTENANT PRÊT A JOUER !

Remarque : Dans cette configuration, une roue officielle Thrustmaster doit être installée sur la base de votre volant. Dans le cas contraire, le pédalier ne sera pas reconnu comme un T-LCM Pedals haute précision.

UTILISATION DU PÉDALIER AVEC LES AUTRES VOLANTS DU MARCHÉ (ÉGALEMENT POSSIBLE AVEC UNE BASE DE VOLANT THRUSTMASTER) = CÂBLE USB AMOVIBLE (1) REQUIS

COMPATIBILITÉ : PC UNIQUEMENT



- Branchez le pédalier sur l'un des ports USB de votre PC à l'aide du câble amovible USB (1), puis terminez l'installation du pilote.
- Une fois l'installation terminée, cliquez sur Terminer et redémarrez votre ordinateur.

VOUS ÊTES MAINTENANT PRÊT A JOUER !

Remarques sur PC lorsque le pédalier est branché via le câble USB :

- Le pédalier est compatible avec tous les volants du marché dans les jeux acceptant la connexion multi-USB et les pédaliers séparés.
- Pensez à toujours fermer complètement la fenêtre Contrôleurs de jeu (en cliquant sur OK) ainsi que le Logiciel de calibration du pédalier avant de lancer votre jeu.
- La version de firmware du pédalier apparaît en bas à gauche dans le logiciel de calibration.

RÉCAPITULATIF DE BRANCHEMENT DU PÉDALIER EN FONCTION DU VOLANT ET DE LA PLATEFORME UTILISÉS

	Branchement du pédalier
Sur CONSOLE DE JEU avec VOLANT THRUSTMASTER	Câble amovible RJ12 (2)
Sur PC avec VOLANT THRUSTMASTER	Câble amovible RJ12 (2) ou Câble amovible USB (1)
Sur PC avec les autres volants du marché	Câble amovible USB (1)

AVERTISSEMENT



Pour des raisons de sécurité, ne jouez pas pieds nus ou en chaussettes lorsque vous utilisez le pédalier.

THRUSTMASTER® DÉCLINE TOUTE RESPONSABILITÉ EN CAS DE BLESSURE SUITE À UNE UTILISATION DU PÉDALIER SANS CHAUSSURES.



Avertissement – Chocs électriques

- * Conservez le produit dans un endroit sec et ne l'exposez ni à la poussière ni au soleil.
- * Respectez les sens de branchement.
- * Ne tordez pas et ne tirez pas sur les connecteurs et câbles.
- * Ne renversez pas de liquide sur le produit et ses connecteurs.
- * Ne mettez pas le produit en court-circuit.
- * Ne démontez jamais le produit (hormis pour les réglages possibles notifiés dans ce manuel), ne le jetez pas au feu et ne l'exposez pas à des températures élevées.



Avertissement – Blessures dues aux mouvements répétitifs

Jouer avec un pédalier peut causer des douleurs aux muscles et aux articulations.

Afin d'éviter tout problème :

- * Evitez les périodes trop longues de jeu (faites une pause de 10 à 15 minutes après chaque heure de jeu).
- * Si vous éprouvez fatigue ou douleur au niveau des jambes ou des pieds, cessez de jouer et reposez-vous pendant quelques heures avant de recommencer à jouer.
- * Si les symptômes ou les douleurs indiqués ci-dessus persistent lorsque vous reprenez le jeu, arrêtez de jouer et consultez votre médecin.



Avertissement – Risque de pincement au niveau du pédalier lors des phases de jeu

- * Laissez le pédalier hors de portée des enfants.
- * Lors des phases de jeu, ne placez jamais vos doigts (ou autres parties du corps) sur ou à proximité des bras des pédales.

JAMAIS



AIDES ET ASTUCES DIVERSES (non notifiées dans ce manuel)

Diverses aides et astuces sont disponibles sur le site <https://support.thrustmaster.com> : cliquez sur **Volants / T-LCM Pedals**.

INFORMATIONS RELATIVES A LA GARANTIE AUX CONSOMMATEURS

Dans le monde entier, Guillemot Corporation S.A., ayant son siège social Place du Granier, B.P. 97143, 35571 Chantepie, France (ci-après « Guillemot ») garantit au consommateur que le présent produit Thrustmaster est exempt de défaut matériel et de vice de fabrication, et ce, pour une période de garantie qui correspond au délai pour intenter une action en conformité de ce produit. Dans les pays de l'Union Européenne, ce délai est de deux (2) ans à compter de la délivrance du produit Thrustmaster. Dans les autres pays, la durée de la période de garantie correspond au délai pour intenter une action en conformité du produit Thrustmaster selon la législation en vigueur dans le pays où le consommateur avait son domicile lors de l'achat du produit Thrustmaster (si une telle action en conformité n'existe pas dans ce pays alors la période de garantie est de un (1) an à compter de la date d'achat d'origine du produit Thrustmaster).

Si, au cours de la période de garantie, le produit semble défectueux, contactez immédiatement le Support Technique qui vous indiquera la procédure à suivre. Si le défaut est confirmé, le produit devra être retourné à son lieu d'achat (ou tout autre lieu indiqué par le Support Technique).

Dans le cadre de la garantie, le consommateur bénéficiera, au choix du Support Technique, d'un remplacement ou d'une remise en état de marche du produit défectueux. Si, pendant la période de garantie, le produit Thrustmaster fait l'objet d'une telle remise en état, toute période d'immobilisation d'au moins sept jours vient s'ajouter à la durée de la garantie qui restait à courir (cette période court à compter de la demande d'intervention du consommateur ou de la mise à disposition pour remise en état du produit en cause, si cette mise à disposition est postérieure à la demande d'intervention). Lorsque la loi applicable l'autorise, toute responsabilité de Guillemot et ses filiales (y compris pour les dommages indirects) se limite à la remise en état de marche ou au remplacement du produit Thrustmaster. Lorsque la loi applicable l'autorise, Guillemot exclut toutes garanties de qualité marchande ou d'adaptation à un usage particulier.

Cette garantie ne s'appliquera pas : (1) si le produit a été modifié, ouvert, altéré, ou a subi des dommages résultant d'une utilisation inappropriée ou abusive, d'une négligence, d'un accident, de l'usure normale, ou de toute autre cause non liée à un défaut matériel ou à un vice de fabrication (y compris, mais non limitativement, une combinaison du produit Thrustmaster avec tout élément inadapté, notamment alimentations électriques, batteries, chargeurs, ou tous autres éléments non-fournis par Guillemot pour ce produit) ; (2) si le produit a été utilisé en dehors du cadre privé, à des fins professionnelles ou commerciales (salles de jeu, formations, compétitions, par exemple), (3) en cas de non respect des instructions du Support Technique ; (4) aux logiciels, lesdits logiciels faisant l'objet d'une garantie spécifique ; (5) aux consommables (éléments à remplacer pendant la durée de vie du produit : piles, coussinets de casque audio, par exemple) ; (6) aux accessoires (câbles, étuis, housses, sacs, dragonnes, par exemple) ; (7) si le produit a été vendu aux enchères publiques.

Cette garantie n'est pas transférable.

Les droits légaux du consommateur au titre de la législation applicable dans son pays à la vente de biens de consommation ne sont pas affectés par la présente garantie.

Par exemple, en France, indépendamment de la présente garantie, le vendeur reste tenu de la garantie légale de conformité mentionnée aux articles L. 217-4 à L.217-12 du code de la consommation et de celle relative aux défauts (vices cachés) de la chose vendue, dans les conditions prévues aux articles 1641 à 1648 et 2232 du code civil. La loi applicable (c'est-à-dire la loi française) impose de reproduire les extraits de la loi française suivants :

Article L. 217-4 du code de la consommation :

Le vendeur livre un bien conforme au contrat et répond des défauts de conformité existant lors de la délivrance.

Il répond également des défauts de conformité résultant de l'emballage, des instructions de montage ou de l'installation lorsque celle-ci a été mise à sa charge par le contrat ou a été réalisée sous sa responsabilité.

Article L. 217-5 du code de la consommation :

Le bien est conforme au contrat :

1° S'il est propre à l'usage habituellement attendu d'un bien semblable et, le cas échéant :

- s'il correspond à la description donnée par le vendeur et possède les qualités que celui-ci a présentées à l'acheteur sous forme d'échantillon ou de modèle ;

- s'il présente les qualités qu'un acheteur peut légitimement attendre eu égard aux déclarations publiques faites par le vendeur, par le producteur ou par son représentant, notamment dans la publicité ou l'étiquetage ;

2° Ou s'il présente les caractéristiques définies d'un commun accord par les parties ou est propre à tout usage spécial recherché par l'acheteur, porté à la connaissance du vendeur et que ce dernier a accepté.

Article L. 217-12 du code de la consommation :

L'action résultant du défaut de conformité se prescrit par deux ans à compter de la délivrance du bien.

Article L. 217-16 du code de la consommation :

Lorsque l'acheteur demande au vendeur, pendant le cours de la garantie commerciale qui lui a été consentie lors de l'acquisition ou de la réparation d'un bien meuble, une remise en état couverte par la garantie, toute période d'immobilisation d'au moins sept jours vient s'ajouter à la durée de la garantie qui restait à courir.

Cette période court à compter de la demande d'intervention de l'acheteur ou de la mise à disposition pour réparation du bien en cause, si cette mise à disposition est postérieure à la demande d'intervention.

Article L. 1641 du code civil:

Le vendeur est tenu de la garantie à raison des défauts cachés de la chose vendue qui la rendent impropre à l'usage auquel on la destine, ou qui diminuent tellement cet usage que l'acheteur ne l'aurait pas acquise, ou n'en aurait donné qu'un moindre prix, s'il les avait connus.

Article L. 1648 alinéa 1^{er} du code civil:

L'action résultant des vices rédhibitoires doit être intentée par l'acquéreur dans un délai de deux ans à compter de la découverte du vice.

Stipulations additionnelles à la garantie

Pendant la période de garantie, Guillemot ne fournira, en principe, pas de pièce détachée car le Support Technique est seul habilité tant à ouvrir qu'à remettre en état tout produit Thrustmaster (à l'exception des remises en état que le Support Technique demanderait, par instructions écrites, au consommateur d'effectuer -par exemple en raison de la simplicité et de l'absence de confidentialité du processus de remise en état-, en lui fournissant, le cas échéant, la ou les pièces détachées nécessaires).

Compte tenu de ses cycles d'innovation et pour préserver ses savoir-faire et secrets, Guillemot ne fournira, en principe, ni notice de remise en état, ni pièce détachée pour tout produit Thrustmaster dont la période de garantie est expirée.

Aux États-Unis d'Amérique et au Canada, la présente garantie est limitée au mécanisme interne et au boîtier externe du produit. En aucun cas, Guillemot ou ses sociétés affiliées ne sauraient être tenues responsables envers qui que ce soit de tous dommages indirects ou dommages accessoires résultant du non respect des garanties expresses ou implicites. Certains États/Provinces n'autorisent pas la limitation sur la durée d'une garantie implicite, ou l'exclusion ou la limitation de responsabilité pour les dommages indirects ou accessoires, de sorte que les limitations ou exclusions ci-dessus peuvent ne pas vous être applicables. Cette garantie vous confère des droits spécifiques ; vous pouvez également bénéficier d'autres droits qui peuvent différer d'un État/Province à l'autre.

Responsabilité

Lorsque la loi applicable l'autorise, Guillemot Corporation S.A. (ci-après « Guillemot ») et ses filiales excluent toute responsabilité pour tous dommages causés par un ou plusieurs des faits suivants: (1) le produit a été modifié, ouvert, altéré, (2) l'irrespect des instructions de montage, (3) l'utilisation inappropriée ou abusive, la négligence, l'accident (un choc, par exemple), (4) l'usure normale du produit, (5) l'utilisation du produit en dehors du cadre privé, à des fins professionnelles ou commerciales (salles de jeu, formations, compétitions, par exemple). Lorsque la loi applicable l'autorise, Guillemot et ses filiales excluent toute responsabilité pour tout dommage dont la cause n'est pas liée à un défaut matériel ou à un vice de fabrication du produit (y compris, mais non limitativement, tout dommage causé directement ou indirectement par tout logiciel, ou par une combinaison du produit Thrustmaster avec tout élément inadapté, notamment alimentations électriques, batteries, chargeurs, ou tous autres éléments non-fournis par Guillemot pour ce produit).

THRUSTMASTER®

SUPPORT TECHNIQUE

<https://support.thrustmaster.com>



Déclaration de conformité

UTILISATEURS CANADIENS :

Cet appareil numérique de la classe B respecte toutes les exigences du Règlement sur le matériel brouilleur du Canada.

COPYRIGHT

© 2019 Guillemot Corporation S.A. Tous droits réservés. Thrustmaster® est une marque déposée de Guillemot Corporation S.A. PlayStation® est une marque déposée de Sony Interactive Entertainment Inc. Windows® est une marque déposée de Microsoft Corporation aux États-Unis et/ou dans d'autres pays. Toutes les autres marques déposées et noms commerciaux sont reconnus par les présentes et sont la propriété de leurs propriétaires respectifs. Illustrations non contractuelles. Le contenu, la conception et les spécifications sont susceptibles de changer sans préavis et de varier selon les pays. Fabriqué en Chine.

RECOMMANDATION RELATIVE A LA PROTECTION DE L'ENVIRONNEMENT



* Dans l'Union Européenne : En fin de vie, ce produit ne doit pas être éliminé avec les déchets ménagers normaux mais déposé à un point de collecte des déchets d'équipements électriques et électroniques en vue de son recyclage.

Ceci est confirmé par le symbole figurant sur le produit, le manuel utilisateur ou l'emballage.

En fonction de leurs caractéristiques, les matériaux peuvent être recyclés. Par le recyclage et par les autres formes de valorisation des déchets d'équipements électriques et électroniques, vous contribuez de manière significative à la protection de l'environnement. Veuillez consulter les autorités locales qui vous indiqueront le point de collecte concerné.

Dans les autres pays : Veuillez vous reporter aux législations locales relatives au recyclage des équipements électriques et électroniques.

Informations à conserver. Les couleurs et décorations peuvent varier.

Il est recommandé de retirer les attaches en plastique et les adhésifs avant d'utiliser le produit.

www.thrustmaster.com

**Applicable à l'UE et la Turquie uniquement*



T-LCM PEDALS

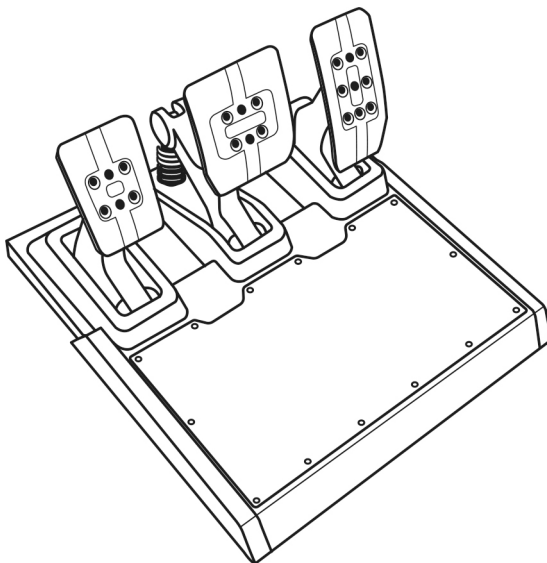
LOAD CELL & MAGNETICS

PC – PlayStation®4 – Xbox One®

Benutzerhandbuch

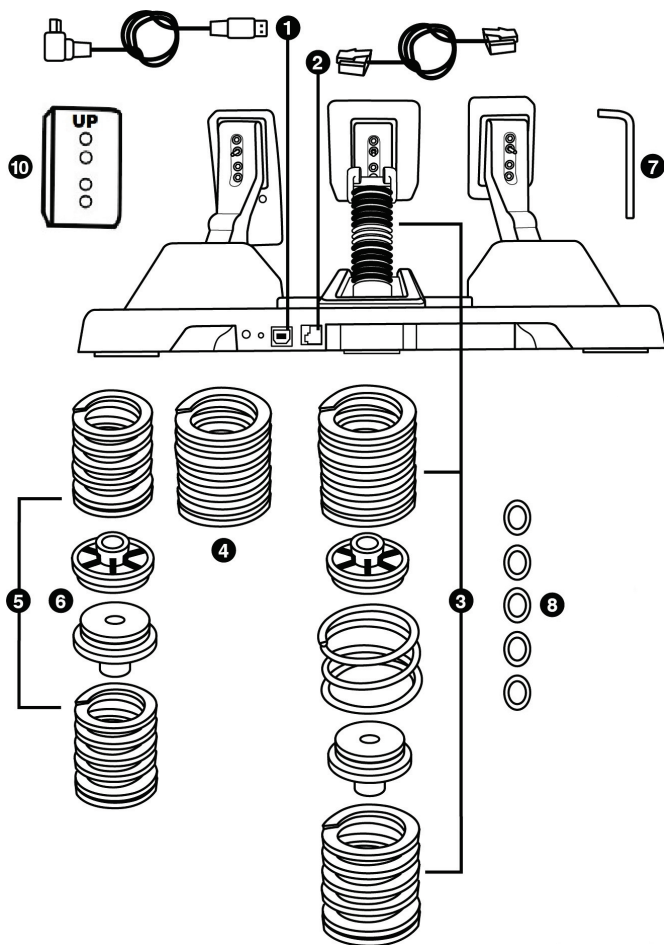


Lesen Sie dieses Handbuch, bevor Sie das Produkt benutzen.
Bewahren Sie es zum späteren Nachschlagen sicher auf.



TECHNISCHE MERKMALE

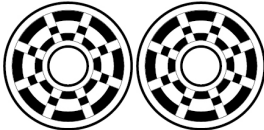

Allgemeine Übersicht



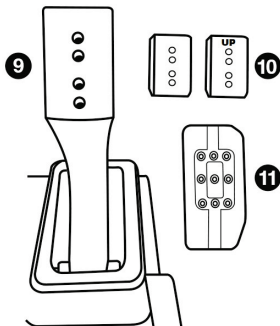
- 1 Trennbares USB-Kabel; USB-Anschluss auf der Rückseite des Pedalsets
- 2 Trennbares RJ12-Kabel; RJ12-Anschluss auf der Rückseite des Pedalsets
- 3 Mittlere Härte, vorinstalliert
(1 schwarze F20-Feder + 1 graue F15-Feder)
(+ 1 verchromte zentrale Vorspannfeder)
(+ 2 Abstandshalter ohne Markierung)
- 4 1 weiße F10-Feder
- 5 2 rote F30-Feder
- 6 2 Abstandshalter mit roter Markierung (speziell entwickelt für Kompatibilität mit roten F30-Federn)
- 7 2,5 mm-Inbusschlüssel
- 8 5 flache Beilagscheiben (verringern/eliminieren die Vorspannung der verchromten Vorspannfeder)
- 10 Pedalkopfstütze aus Plastik für senkrechten Pedalneigungswinkel

Abstandshalter

2 verschiedene Typen von Abstandshaltern werden mitgeliefert. Der Auswahl des richtigen Abstandshalters hängt von den verwendeten Federn ab.

	<p><u>Abstandshalter ohne Farbmarkierung</u> <u>(und mit Einkerbung)</u></p> <p>Für die Verwendung mit folgenden Federn: Weiß F10 Grau F15 Schwarz F20</p>
	<p><u>Abstandshalter mit roter Markierung</u> <u>(und ohne Einkerbung)</u></p> <p>Speziell entwickelt für die Verwendung mit folgenden Federn: Rot F30</p>

Pedalhebel und -köpfe



- 9 Pedalhebel aus Metall mit 4 Löchern
- 10 Pedalkopfstütze aus Plastik (zum Platzieren zwischen Pedalhebel und Pedalkopf) mit 4 Löchern
- 11 Pedalköpfe aus Metall (mit unterschiedlicher Lochzahl: 9 für das Gaspedal; 6 für das Bremspedal; 6 für das Kupplungspedal)

KALIBRIERUNGS SOFTWARE

⚠ WICHTIG ⚠

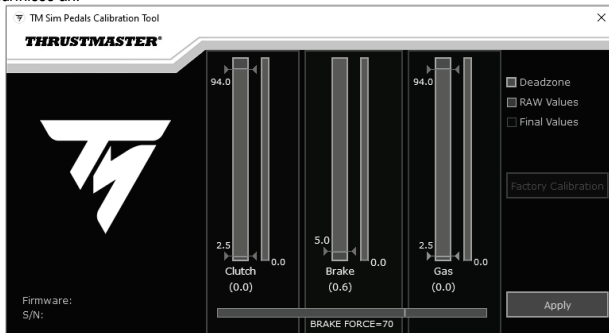
Befolgen Sie diese Arbeitsschritte, wenn Sie den Widerstand des Bremspedals verändern wollen.

Verbinden Sie das Pedalset mit dem PC mithilfe des trennbaren USB-Kabels (1).
Das trennbare RJ12-Kabel (2) darf in diesem Schritt nicht am Pedalset angeschlossen sein.

Besuchen Sie <https://support.thrustmaster.com>. Klicken Sie auf **Rennenkräder / T-LCM Pedals** und wählen Sie **Software** aus.

Laden Sie die Kalibrierungssoftware herunter und installieren Sie diese:

- Passen Sie die Deadzones aller Pedale am Anfang des Pedalwegs an Ihre Bedürfnisse an.
- Passen Sie die Deadzones von Gas- und Kupplungspedal am Ende des Pedalwegs an Ihre Bedürfnisse an.
- Passen Sie die elektronische Unterstützungskraft (Brake Force) am Bremspedal an Ihre Bedürfnisse an.



Sobald die einzelnen Einstellungen richtig konfiguriert wurden, klicken Sie auf **APPLY** und trennen Sie das trennbare USB-Kabel (1). Die Einstellungen werden im internen Speicher des Pedalsets gespeichert: diese treten in allen Spielen, auf PC und Spielkonsolen in Kraft.

AKTUALISIERUNG DER FIRMWARE DES PEDALSETS

Um die Firmware zu aktualisieren, muss das Pedalset mittels USB-Kabel (1) mit dem PC verbunden sein.

Die im Pedalset integrierte Firmware kann mit aktuelleren Versionen für besondere Produktverbesserungen ausgestattet werden.

Die Firmware-Version wird in der Kalibrierungssoftware in der linken unteren Ecke angezeigt.

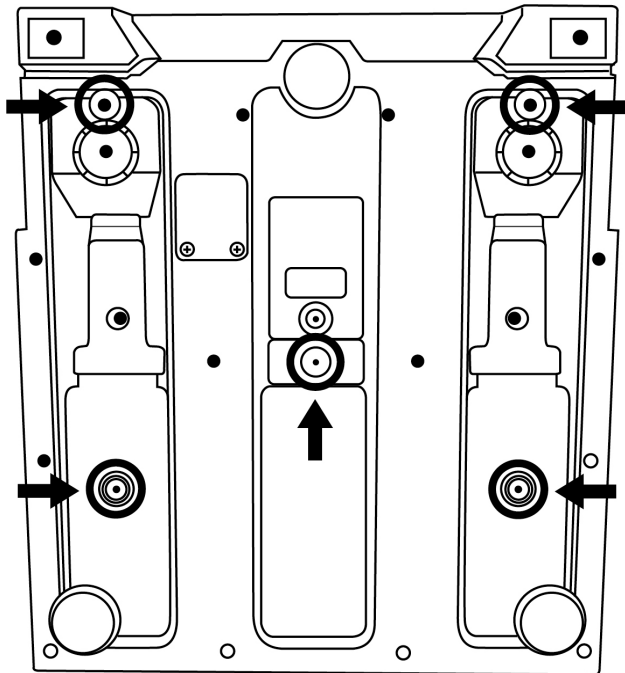
Zur Aktualisierung der Firmware des Pedalsets: besuchen Sie auf Ihrem PC die Seite <https://support.thrustmaster.com>, klicken Sie auf **Rennenkräder / T-LCM Pedals**, wählen Sie **Firmware** aus und folgen Sie den Download- und Installationsanweisungen.

MONTAGE DES PEDALSETS AN EINER HALTERUNG ODER IN EINEM COCKPIT

Das Pedalset kann ganz einfach mit fünf M6-Schraubengewinden auf der Unterseite der Basis an einer Reihe kompatibler Halterungen (separat zu erwerben) montiert werden. Schrauben Sie dafür mindestens zwei M6-Schrauben (nicht im Lieferumfang enthalten) durch den Bodenträger und in die Schraubengewinde auf der Unterseite der Pedalset-Basis.



Wichtig: die Länge der M6-Schrauben darf die Dicke des Bodenträgers nicht um mehr als 12 mm übertreffen, um keine Schäden an den internen Komponenten des Pedalsets zu verursachen.



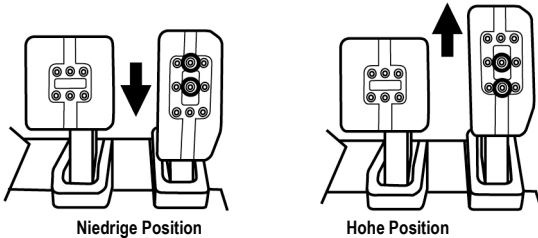
Die Aufbauskiizen für Cockpits und andere Ergänzungen sind verfügbar unter <https://support.thrustmaster.com>; klicken Sie auf Rennlenkräder / T-LCM Pedals und dann auf Template – Cockpit-Setup.

MECHANISCHE EINSTELLUNG FÜR DIE PEDALSETS

Pedalhöhe verändern

- Benutzen Sie den mitgelieferten 2,5 mm-Inbusschlüssel (7), lösen Sie die Schrauben, die den Pedalkopf (11) und die Pedalkopfstütze aus Plastik (10) fixieren.
- Legen Sie die Höhe des Pedals nach Ihren Bedürfnissen fest und fixieren Sie anschließend alles wieder mithilfe der Schrauben.

Beispiel anhand des Gaspedals:



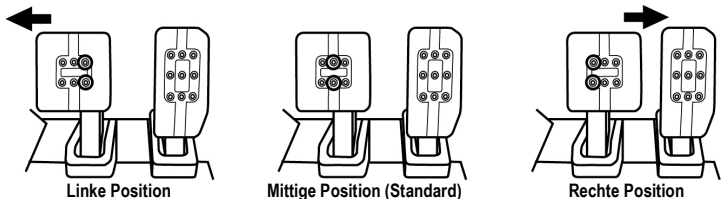
Anzahl verschiedener Höheneinstellungen pro Pedal:

- 3 für das Gaspedal
- 2 für das Bremspedal
- 2 für das Kupplungspedal

Abstand der drei Pedale einstellen

- Benutzen Sie den mitgelieferten 2,5 mm-Inbusschlüssel (7), lösen Sie die Schrauben, die den Pedalkopf (11) und die Pedalkopfstütze aus Plastik (10) fixieren.
- Legen Sie Ihre bevorzugte Position fest (links, mittig, rechts), und fixieren Sie anschließend wieder alles mithilfe der Schrauben.

Beispiele mit dem Bremspedal:



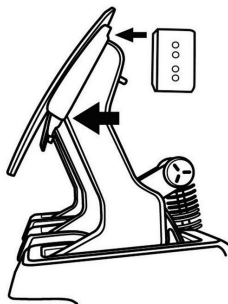
Anzahl unterschiedlicher Abstandspositionen pro Pedal:

- 3 für das Gaspedal
- 3 für das Bremspedal
- 3 für das Kupplungspedal

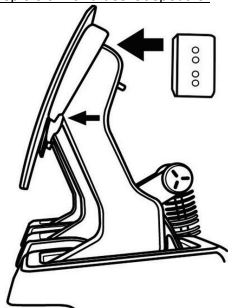
Neigungswinkel der Pedale einstellen

- Benutzen Sie den mitgelieferten 2,5 mm-Inbusschlüssel (7), lösen Sie die Schrauben, die den Pedalkopf (11) und die Pedalkopfstütze aus Plastik (10) fixieren.
- Drehen Sie die Plastik-Pedalkopfstütze (10) um 180° (oder tauschen Sie diese aus), und fixieren Sie anschließend wieder alles mithilfe der Schrauben.

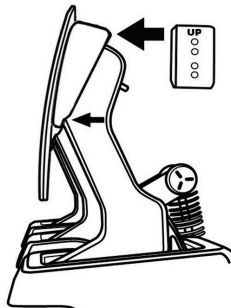
Beispiele anhand des Gaspedals:



Wenig geneigte Position



Stärker geneigte Position
(Standard)



Senkrechte Position

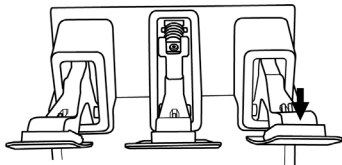
Anzahl unterschiedlicher Neigungswinkel pro Pedal:

- 3 für das Gaspedal
- 3 für das Bremspedal
- 3 für das Kupplungspedal

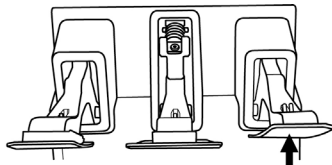
Ausrichtung der Pedale einstellen

- Pedalkopfstütze aus Plastik (10) montieren, um ein Pedal nach vorne zu bewegen.
- Pedalkopfstütze aus Plastik (10) entfernen, um ein Pedal zurück zu bewegen.

Beispiel anhand des Gaspedals:



Position vorne (Standard)

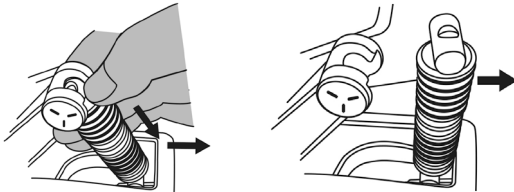


Position hinten

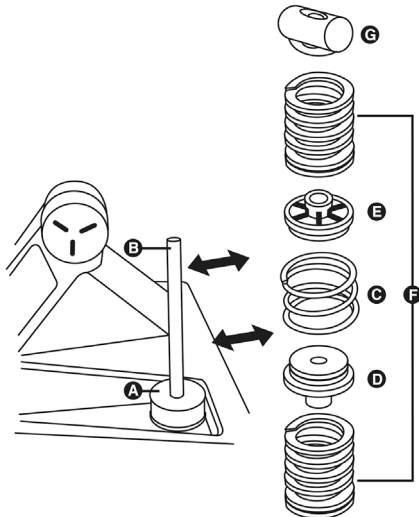
Widerstand des Bremspedals einstellen

Der Widerstand des Bremspedals kann durch Ersatz oder Kombination der Federn eingestellt werden.

- Trennen Sie die Verbindung des Pedalsets zum PC oder zur Spielkonsole, und drücken Sie die Beilagscheibe des oberen Haltekopfs (**G**) (liegt an der Pedalrückseite) fest nach unten. Ziehen Sie diese Komponente dann nach hinten, um sie vom Metallarm zu lösen.



- Verschiedene Bauteile von der Haltestange (**B**) entfernen.



A Load Cell-Drucksensor

! Niemals von der Haltestange entfernen!

B Haltestange für Federsäule

C Zentrale verchromte 4-spiralige
Vorspannfeder

D Gummi-Abstandshalter

E Plastik-Abstandshalter

F 7-spiralige Hauptfedern
(F10, F15, F20, F30)

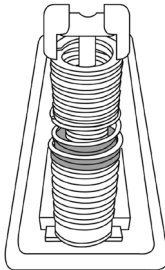
G Oberer Haltekopf mit Beilagscheibe

Der Bremspedalwiderstand kann durch Entfernen oder Kombination der Hauptfedern (F) verstellt werden:

F-Federfarbe	Federhärte
WEISS (1 inklusive)	F10
GRAU (1 inklusive)	F15
SCHWARZ (1 inklusive)	F20
ROT (2 inklusive)	F30

- Verschiedene Elemente und Hauptfedern (**F10, F15, F20 oder F30**) nach den eigenen Vorstellungen (zusammen mit entsprechenden Abstandshaltern) auf der Haltestange umbauen.

Beispiel	Widerstand
1 weiße F10-Feder + 1 graue F15-Feder	Leichter Widerstand
1 graue F15-Feder + 1 schwarze F20-Feder (vorinstalliert)	Mittlerer Widerstand
2 rote F30-Federn	Starker Widerstand



Probieren Sie die verschiedenen Federhärten (mehrere verschiedene Kombinationen sind möglich) aus, um die bestmögliche Federhärte für Sie zu finden.

Verbinden Sie **nach dem Einstellen der Federhärte** das Pedalset über das trennbare USB-Kabel (1) mit dem PC und führen Sie **eine Neukalibrierung des Bremspedals mithilfe der Kalibrierungssoftware durch**. Diese neue Kalibrierung (abhängig vom neuen Bremspedalwiderstand) wird automatisch im internen Speicher des Pedalsets abgespeichert und wird effektiv in allen PC- und Spielkonsolenspielen gültig.

⚠ WICHTIG ⚠

Die Standard-Werkseinstellung des Pedalsets wird mit einer grauen F15-Feder und einer schwarzen F20-Feder (mittlerer Widerstand) vorgenommen. Falls Sie die Federn austauschen wollen (und dadurch den Bremspedalwiderstand), muss das Bremspedal mittels der Kalibrierungssoftware auf dem PC rekaliert werden: wenn Sie diesen Schritt überspringen, wird das Bremspedal nicht ordnungsgemäß in PC- und Konsolenspielen funktionieren.

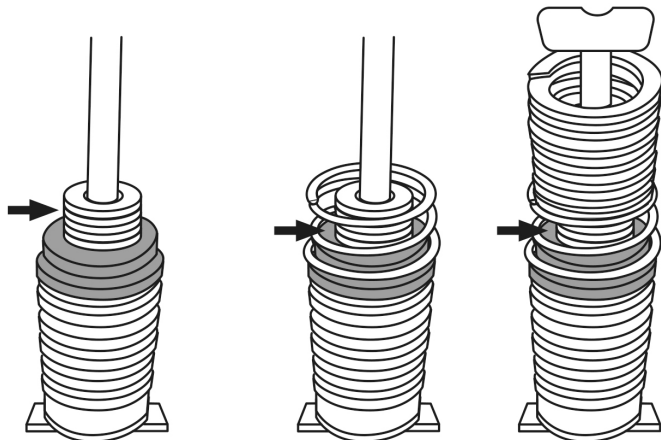
Vorspannung des Bremspedals reduzieren oder eliminieren

Benutzer, die einen linearen Bremswiderstand bevorzugen, haben die Möglichkeit, die Vorspannung der zentralen, verchromten Vorspannfeder (C) zu verringern oder ganz zu eliminieren.

Schieben Sie dafür 1 bis 5 Beilagscheiben (8) auf die Haltestange, in die Mitte der zentralen verchromten Vorspannfeder (C).

Bitte beachten: Je mehr Beilagscheiben hinzugefügt werden, desto stärker wird die Vorspannung reduziert (oder sogar vollständig eliminiert, falls alle 5 Beilagscheiben hinzugefügt werden).

Beispiel für Elimination der Vorspannung durch Verwendung aller 5 Beilagscheiben:



Wichtig:

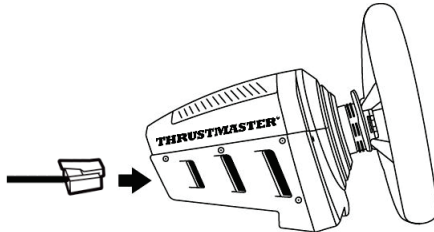
Das Hinzufügen von Beilagscheiben wird auch den mechanischen Laufweg des Bremspedals reduzieren.

DAS PEDALSET MIT EINER RENNLENKRAD-BASIS VON THRUSTMASTER VERWENDEN

= TRENNBARES RJ12-KABEL (2) NOTWENDIG

(Das trennbare USB-Kabel (1) darf während dieser Benutzung nicht mit dem Pedalset verbunden sein.)

KOMPATIBILITÄT: PC- UND SPIELKONSOLEN



⚠ WICHTIG ⚠

Um einen optimalen Betrieb des Pedalsets zusammen mit der Thrustmaster Rennlenkrad-Basis (TS-PC Racer, T-GT, T300, T150, TS-XW, TX and TMX) zu gewährleisten, muss die Firmware des Rennlenkrades mit der aktuellsten Version ausgestattet sein, die auf <https://support.thrustmaster.com> verfügbar ist. Diese neue Firmware-Version holt höchste Präzision aus dem T-LCM Pedals-Pedalset heraus und ermöglicht personalisierte Einstellungen in der Kalibrierungssoftware.

- Sobald die Firmware der Thrustmaster Rennlenkrad-Basis aktualisiert wurde, verbinden Sie das Pedalset über das trennbare RJ12-Kabel (2) mit der Rückseite der Rennlenkrad-Basis.
- Verbinden Sie das Rennlenkrad mit Ihrem PC oder Ihrer Spielkonsole.
- Die **MODE-LED an der Basis Ihres Rennlenkrades blinkt 5 Mal auf**, um anzuzeigen, dass das Pedalset richtig erkannt wurde und ein optimaler Betrieb gewährleistet ist.

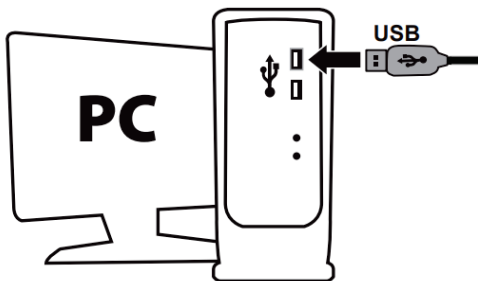
Falls die **MODE-LED nicht wie oben beschrieben aufblinkt**, wurde die Firmware des Rennlenkrades nicht mit der neuesten Version aktualisiert. Das Pedalset wird folglich nicht als hochpräzises **T-LCM Pedals-Pedalset** angezeigt, sondern als Standard-Pedalset des Typs **T3PA** oder **T3PA PRO**.

SIE SIND JETZT BEREIT ZUM SPIELEN!

Bitte beachten: In dieser Einstellung muss das offizielle Thrustmaster-Lenkrad auf der Basis des Rennlenkrades montiert sein. Falls Sie diesen Schritt überspringen, wird das Pedalset nicht als hochpräzises **T-LCM Pedals-Pedalset** erkannt.

VERWENDUNG DES PEDALSETS MIT EINEM RENNLENKRAD, DAS NICHT AUS THRUSTMASTER-FERTIGUNG STAMMT (AUCH MÖGLICH MIT EINER RENNLENKRADBASIS VON THRUSTMASTER) = TRENNBARES USB-KABEL (1) NOTWENDIG

KOMPATIBILITÄT: NUR PC



- Verbinden Sie das Pedalset mit dem trennbaren USB-Kabel (1) mit einem USB-Port an Ihrem PC und installieren Sie alle Treiber.
- Sobald die Treiber installiert wurde, klicken Sie auf **Finish** und starten Sie Ihren Computer neu.

SIE SIND JETZT BEREIT ZUM SPIELEN!

Anmerkungen für PC, wenn das Pedalset über USB-Kabel verbunden ist:

- Das Pedalset ist mit allen auf dem Markt erhältlichen Rennlenkrädern kompatibel, die Multi-USB-Verbindungen und andere Pedalsets unterstützen.
- Schließen Sie stets das **Controller-Fenster** (durch Klick auf **OK**), sowie die Kalibrierungssoftware des Pedalsets, bevor Sie Ihr Spiel starten.
- Die Firmware-Version des Pedalsets wird in der linken unteren Ecke der Kalibrierungssoftware angezeigt.

ÜBERBLICK: WIE WIRD DAS PEDALSET ENTSPRECHEND DES VERWENDETEN RENNLENKRADES UND DER VERWENDETEN PLATTFORM VERBUNDEN

	Pedalset-Anschluss
Auf SPIELKONSOLE mit THRUSTMASTER-RENNLENKRAD	Trennbares RJ12-Kabel (2)
Auf PC mit THRUSTMASTER-RENNLENKRAD	Trennbares RJ12-Kabel (2) oder trennbares USB-Kabel (1)
Auf PC mit Rennlenkrad, das nicht aus Thrustmaster-Fertigung stammt	Trennbares USB-Kabel (1)

WARNUNG



Verwenden Sie das Pedalset aus Sicherheitsgründen niemals barfuß oder nur mit Socken an den Füßen.

THRUSTMASTER® SCHLIESST JEGLICHE HAFTUNG IM FALLE VON VERLETZUNG BEI DER BENUTZUNG VON PEDALSETS OHNE SCHUHEN AUS.



Warnung – Elektrischer Schlag

- * Lagern Sie das Produkt an einem trockenen Ort und setzen Sie es weder Staub noch direktem Sonnenlicht aus.
- * Beachten Sie die Anschluss-Pole.
- * Verdrehen Sie keine Kabel oder ziehen direkt an deren Steckern.
- * Schütten Sie keine Flüssigkeiten auf das Produkt oder dessen Anschlüsse.
- * Schließen Sie das Produkt nicht kurz.
- * Zerlegen Sie das Produkt niemals (abgesehen von Anpassungen, die in diesem Handbuch beschrieben werden). Werfen Sie das Produkt nicht ins Feuer und setzen Sie es keinen hohen Temperaturen aus.



Warnung – Verletzung aufgrund wiederholter Bewegungen

- Das Spielen mit Pedalset kann Muskel- und Gelenkschmerzen verursachen. Um Probleme zu vermeiden:
- * Vermeiden Sie zu lange Spielzeit (machen Sie eine 10- bis 15-minütige Pause nach jeder Spielstunde).
 - * Sollten Sie Ermüdung oder Schmerzen in den Füßen oder Beinen spüren, hören Sie auf zu spielen und rasten Sie einige Stunden, bevor Sie weiterspielen.
 - * Sollten die beschriebenen Symptome oder Schmerzen anhalten, sobald Sie wieder zu spielen beginnen, unterbrechen Sie das Spiel sofort und suchen Sie einen Arzt auf.



Warnung – Einklemmgefahr am Pedalset während des Spiels

- * Halten Sie das Pedalset von Kindern fern.
- * Halten Sie niemals während des Spiels Ihre Finger (oder andere Körperteile) an die Pedalhebel.

NIEMALS



VERSCHIEDENE TIPPS UND TRICKS (nicht in diesem Handbuch enthalten)

Verschiedene Tipps und Tricks sind verfügbar auf <https://support.thrustmaster.com>: klicken Sie auf Rennlenkräder / T-LCM Pedals.

Kunden-Garantie-Information

Guillemot Corporation S.A. mit Hauptfirmensitz in Place du Granier, B.P. 97143, 35571 Chantepie, France (fortfolgend "Guillemot") garantiert Kunden weltweit, daß dieses Thrustmaster Produkt frei von Mängeln in Material und Verarbeitung für eine Gewährleistungsfrist ist, die mit der Frist für eine Mängelrüge bezüglich des Produktes übereinstimmt. In den Ländern der Europäischen Union entspricht diese einem Zeitraum von zwei (2) Jahren ab Kaufdatum des Thrustmaster Produktes. In anderen Ländern entspricht die Gewährleistungsfrist der zeitlichen Begrenzung für eine Mängelrüge bezüglich des Thrustmaster Produktes in Übereinstimmung mit anwendbarem Recht des Landes, in dem der Kunde zum Zeitpunkt des Erwerbs eines Thrustmaster Produktes wohnhaft ist. Sollte eine entsprechende Regelung in dem entsprechenden Land nicht existieren, umfasst die Gewährleistungspflicht einen Zeitraum von einem (1) Jahr ab dem originären Kaufdatum des Thrustmaster Produktes.

Sollten bei dem Produkt innerhalb der Gewährleistungsfrist Defekte auftreten, kontaktieren Sie unverzüglich den technischen Kundendienst, der die weitere Vorgehensweise anzeigt. Wurde der Defekt bestätigt, muß das Produkt an die Verkaufsstelle (oder an eine andere Stelle, je nach Maßgabe des technischen Kundendienstes) retourniert werden.

Im Rahmen dieser Garantie sollte das defekte Produkt des Kunden, je nach Entscheidung des technischen Kundendienstes, entweder ausgetauscht oder repariert werden. Sollte während der Garantiezeit das Thrustmaster Produkt einer derartigen Instandsetzung unterliegen und das Produkt während eines Zeitraums von mindestens sieben (7) Tagen nicht benutzbar sein, wird diese Zeit der restlichen Garantiezeit hinzugefügt. Diese Frist läuft ab dem Zeitpunkt, an dem der Wunsch des Verbrauchers bezüglich einer Intervention vorliegt oder ab dem Tag, an dem das fragliche Produkt zur Instandsetzung zur Verfügung steht, falls das Datum, an dem das Produkt zur Instandsetzung zur Verfügung steht, dem Datum des Antrags auf Intervention nachfolgt. Wenn nach geltendem Recht zulässig, beschränkt sich die volle Haftung von Guillemot und ihrer Tochtergesellschaften auf die Reparatur oder den Austausch des Thrustmaster Produktes (inklusive Folgeschäden). Wenn nach geltendem Recht zulässig, lehnt Guillemot alle Gewährleistungen der Marktgängigkeit oder Eignung für einen bestimmten Zweck ab.

Der Gewährleistungsanspruch verfällt: (1) Falls das Produkt modifiziert, geöffnet, verändert oder ein Schaden durch unsachgemäßen oder missbräuchlichen Gebrauch hervorgerufen wurde, sowie durch Fahrlässigkeit, einen Unfall, Verschleiß oder irgendeinem anderen Grund – aber nicht durch Material- oder Herstellungsfehler (einschließlich, aber nicht beschränkt auf, die Kombination der Thrustmaster Produkte mit ungeeigneten Elementen, insbesondere Netzteile, Akkus, Ladegeräte, oder andere Elemente, die von Guillemot für dieses Produkt nicht mitgeliefert wurden); (2) Falls das Produkt für eine andere Nutzung als zum privaten Hausgebrauch, einschließlich für professionelle oder kommerzielle Zwecke (z. B. Spielhallen, Training, Wettkämpfe) verwendet wird; (3) Im Falle der Nichteinhaltung der durch den technischen Support erteilten Anweisungen; (4) Durch Software. Die besagte Software ist Gegenstand einer speziellen Garantie; (5) Bei Verbrauchsmaterialien (Elemente, die während der Produktlebensdauer ausgetauscht werden, wie z. B. Einwegbatterien, Ohrpolster für ein Audioheadset oder für Kopfhörer); (6) Bei Accessoires (z. B. Kabel, Etuis, Taschen, Beutel, Handgelenk-Riemen); (7) Falls das Produkt in einer öffentlichen Versteigerung verkauft wurde. Diese Garantie ist nicht übertragbar.

Die Rechte des Kunden in Übereinstimmung mit anwendbarem Recht bezüglich des Verkaufs auf Konsumgüter im Land der/der Kunden/Kundin wird durch diese Garantie nicht beeinträchtigt.

Zusätzliche Gewährleistungsbestimmungen

Während der Garantiezeit bietet Guillemot grundsätzlich keine Ersatzteile an, da der technische Kundendienst der einzige autorisierte Partner zum Öffnen und/oder Instandsetzen jedweden Thrustmaster-Produkts ist (mit Ausnahme von irgendwelchen Instandsetzungsprozeduren, die der Kunde nach Maßgabe des technischen Kundendienstes und durch schriftliche Instruktionen sowie der Zurverfügungstellung des/der eventuell erforderlichen Ersatzteil(s)(e) selbst in der Lage ist durchzuführen – zum Beispiel aufgrund der Einfachheit und einer nicht erforderlichen Geheimhaltung des Instandsetzungsverfahrens).

Aufgrund seiner Innovationszyklen und um sein Know-how und seine Geschäftsgeheimnisse zu schützen, bietet Guillemot grundsätzlich keine Instandsetzungs-Benachrichtigung oder Ersatzteile für alle Thrustmaster Produkte an, deren Garantiezeit abgelaufen ist.

Haftung

Wenn nach dem anwendbaren Recht zulässig, lehnen Guillemot Corporation S.A. (fortfolgend "Guillemot") und ihre Tochtergesellschaften jegliche Haftung für Schäden, die auf eine oder mehrere der folgenden Ursachen zurückzuführen sind, ab: (1) das Produkt wurde modifiziert, geöffnet oder geändert; (2) Nichtbefolgung der Montageanleitung; (3) unangebrachte Nutzung, Fahrlässigkeit, Unfall (z. B. ein Aufprall); (4) normalem Verschleiß; (5) Die Verwendung des Produkts für jedwede andere Nutzung als zum privaten Hausgebrauch, einschließlich professionelle oder kommerzielle Zwecke (z. B. Spielhallen, Training, Wettkämpfe). Wenn nach anwendbarem Recht zulässig, lehnen Guillemot und seine Niederlassungen jegliche Haftung für Schäden, die nicht auf einen Material- oder Herstellungsfehler in Bezug auf das Produkt beruhen (einschließlich, aber nicht beschränkt auf, etwaige Schäden, die direkt oder indirekt durch Software oder durch die Kombination der Thrustmaster Produkte mit ungeeigneten Elementen, insbesondere Netzteile, Akkus, Ladegeräte, oder andere Elemente, die von Guillemot für dieses Produkt nicht geliefert wurden), ab.

THRUSTMASTER®

TECHNISCHER SUPPORT

<https://support.thrustmaster.com>



COPYRIGHT

© 2019 Guillemot Corporation S.A. Alle Rechte vorbehalten. Thrustmaster® ist eine eingetragene Marke von Guillemot Corporation S.A. PlayStation® ist eine eingetragene Marke von Sony Interactive Entertainment Inc. Windows® ist eine eingetragene Marke von Microsoft Corporation in den Vereinigten Staaten und/oder anderen Ländern. Alle anderen Marken und Handelsbezeichnungen werden hierdurch ausdrücklich anerkannt und befinden sich im Besitz ihrer jeweiligen Eigentümer. Illustrationen nicht verbindlich. Inhalte, Designs und Spezifikationen können ohne vorhergehende Ankündigung geändert werden und können von Land zu Land unterschiedlich sein. Hergestellt in China.

Hinweise zum Umweltschutz



* In der Europäischen Union: Dieses Produkt darf nach Ende seiner Lebensdauer nicht über den Hausmüll entsorgt werden, sondern muss an einem Sammelpunkt für das Recycling von elektrischen und elektronischen Geräten abgegeben werden.

Das Symbol auf dem Produkt, der Gebrauchsanleitung oder der Verpackung weist darauf hin.

Die Werkstoffe sind gemäß ihrer Kennzeichnung wiederverwertbar. Mit der Wiederverwertung, der stofflichen Verwertung oder anderen Formen von Altgeräten leisten Sie einen wichtigen Beitrag zum Schutz unserer Umwelt. Bitte erfragen Sie bei der Gemeindeverwaltung die zuständige Entsorgungsstelle.

Für alle anderen Länder: Bitte beachten Sie die lokalen Entsorgungsrichtlinien/-Gesetze bezüglich elektrischen und elektronischen Equipments.

Wichtige Informationen. Die Farben und Verzierungen können abweichen.
Plastikhalterungen und Aufkleber bitte vor der Nutzung des Produktes entfernen.

www.thrustmaster.com

Nur in der EU und der Türkei anwendbar



T-LCM PEDALS

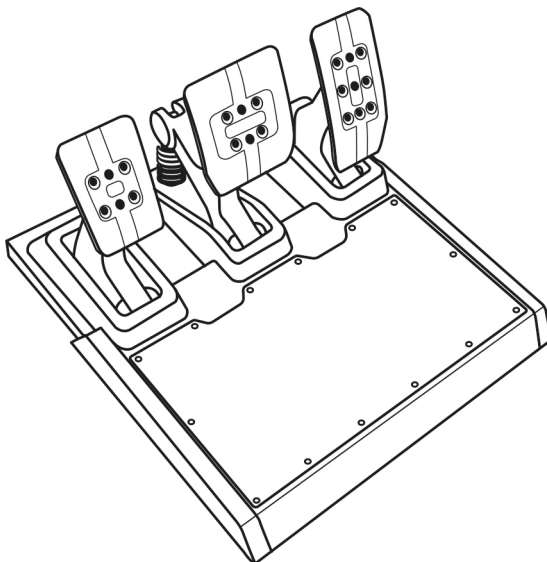
LOAD CELL & MAGNETICS

PC – PlayStation®4 – Xbox One®

Handleiding

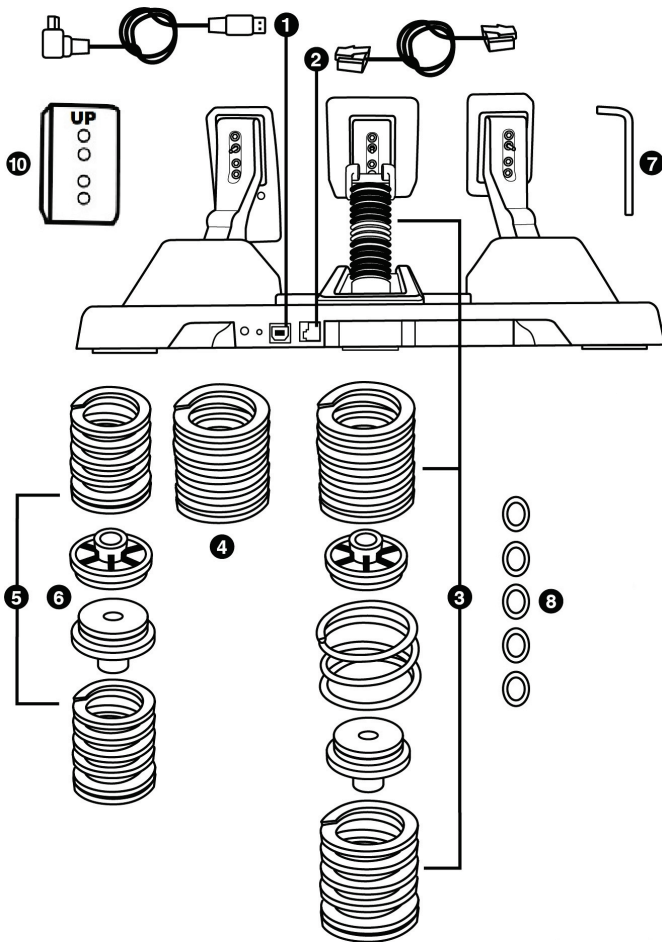


Lees, voordat u dit product gebruikt, deze handleiding zorgvuldig door en bewaar hem om eventueel op een later tijdstip te kunnen raadplegen.



TECHNISCHE KENMERKEN

Algemeen overzicht



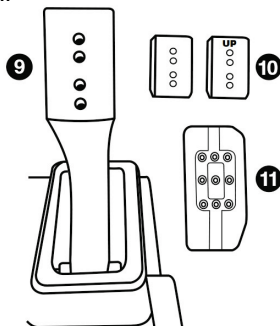
- 1 Losse USB-kabel, USB-connector aan achterzijde van de pedaalset
- 2 Losse RJ12-kabel, RJ12-connector aan achterzijde van de pedaalset
- 3 Normale weerstand, standaard geïnstalleerd (1 zwarte F20-veer + 1 grijze F15-veer) (+ 1 centrale verchroomde voorspanveer) (+ 2 afstandhouders zonder markeringen)
- 4 1 witte F10-veer
- 5 2 rode F30-veren
- 6 2 afstandhouders met rode markeringen (speciaal ontworpen voor gebruik met de rode F30-veren)
- 7 2,5 mm inbusleutel
- 8 5 platte ringen (om de voorspanning van de centrale verchroomde vering te verminderen of op te heffen)
- 10 Kunststof pedaalsteun voor verticale hoek van pedalen

Afstandhouders

Er worden 2 typen afstandhouders meegeleverd. Gebruik het juiste type afstandhouder voor het gekozen type veer.

	<p><u>Afstandhouders met kleurmarkeringen (en groeven)</u></p> <p>Voor gebruik met de volgende veren: Witte F10 Grijze F15 Zwarte F20</p>
	<p><u>Afstandhouders met rode markeringen (zonder groeven)</u></p> <p>Speciaal ontworpen voor gebruik met de volgende veren: Rode F30</p>

Pedaalarmen en pedalen



- 9 Metalen pedaalalarm met 4 gaten
- 10 Kunststof pedaalsteun (te plaatsen tussen het pedaal en de pedaalarm) met 4 gaten
- 11 Metalen pedalen (met verschillende hoeveelheden gaten: 9 voor het gaspedaal, 6 voor het rempedaal en 6 voor het koppelpedaal)

⚠ UITERST BELANGRIJK ⚠

Voer deze procedure uit bij aanpassing van de weerstand van het rempedaal.

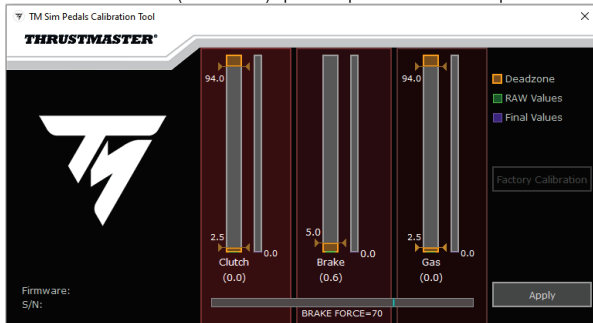
Sluit de pedaalset met behulp van de losse USB-kabel (1) aan op een PC.

Bij deze procedure mag de losse RJ12-kabel (2) niet op de pedaalset worden aangesloten.

Ga naar <https://support.thrustmaster.com>. Klik op **Racesturen / T-LCM Pedals** en kies **Software**.

Download en installeer de kalibratiesoftware. Hiermee kunt u:

- de dode zones aan het begin van het bereik van elk van de drie pedalen naar wens aanpassen.
- de dode zones aan het einde van het bereik van het gaspedaal en koppelingspedaal naar wens aanpassen.
- de elektronische drukkracht (Brake Force) op het rempedaal naar wens aanpassen.



Als u de gewenste instellingen hebt verricht, klikt u op **APPLY**. Koppel vervolgens de USB-kabel (1) los. De instellingen worden opgeslagen in het interne geheugen van de pedaalset en gebruikt voor al uw games op zowel de PC als de gameconsoles.

FIRMWARE VAN DE PEDAALSET BIJWERKEN

Om de firmware te kunnen bijwerken, moet de pedaalset met de losse USB-kabel (1) op de PC aangesloten zijn.

De firmware van de pedaalset kan ten behoeve van productverbeteringen worden bijgewerkt naar nieuwere versies.

De firmwareversie wordt linksonder in de kalibratiesoftware weergegeven.

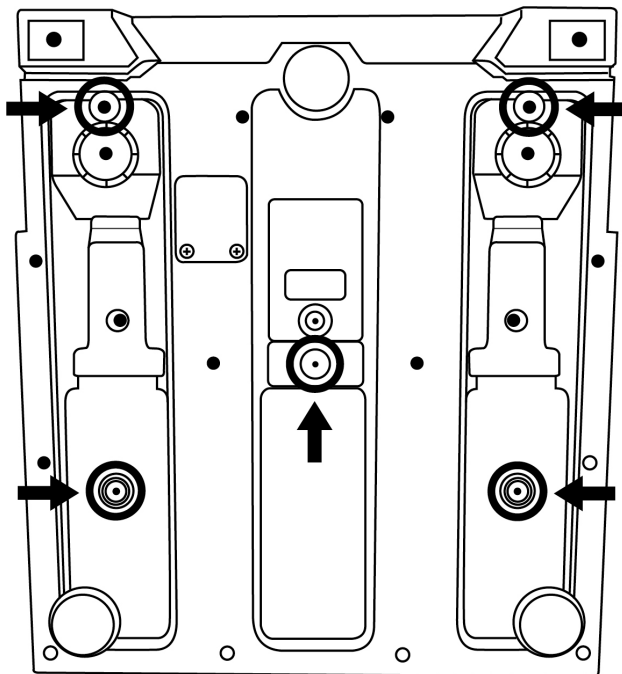
Doe het volgende om de firmware van de pedaalset bij te werken: ga op de PC naar <https://support.thrustmaster.com>, klik op **Racesturen / T-LCM Pedals**, kies **Firmware** en volg de instructies om de download- en installatieprocedure uit te voeren.

DE PEDAALSET AAN EEN STEUN OF COCKPIT BEVESTIGEN

De pedaalsset kan aan een aantal verschillende compatibele (afzonderlijk aan te schaffen) steunen worden bevestigd met behulp van de vijf M6-schroefdraadgaten die zich onder de voet bevinden. Draai ten minste twee M6-bouten (niet meegeleverd) door het steunpaneel en in de schroefgaten aan de onderkant van de pedaalsset.



Belangrijk: om beschadiging van de interne onderdelen van de pedaalsset te voorkomen, mogen de M6-bouten niet langer zijn dan de dikte van de steun plus een extra 12 mm.



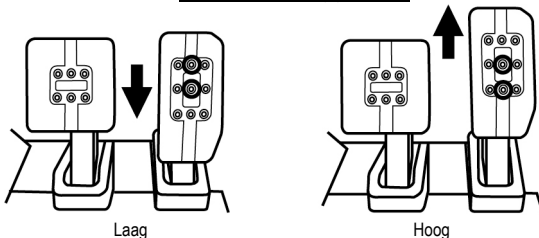
De montageschema's voor cockpits en andere steunen voor de pedaalsset zijn beschikbaar op <https://support.thrustmaster.com>: klik op Racesturen / T-LCM Pedals en vervolgens op Template - Cockpit setup.

MECHANISCHE INSTELLING VAN DE PEDAALSET

De hoogte van de pedalen afstellen

- Draai met behulp van de meegeleverde 2,5 mm inbussleutel (7) de twee boutjes los waarmee het metalen pedaal (11) en de kunststof steun (10) vast zitten.
- Kies de gewenste hoogte en monteer het geheel weer met behulp van de bouten.

Voorbeelden afstelling gaspedaal:



Aantal verschillende standen van een pedaal:

- 3 voor het gaspedaal
- 2 voor het rempedaal
- 2 voor het koppelingspedaal

De ruimte tussen de drie pedalen afstellen

- Draai met behulp van de meegeleverde 2,5 mm inbussleutel (7) de twee boutjes los waarmee het metalen pedaal (11) en de kunststof steun (10) vast zitten.
- Kies de gewenste stand (naar links, in het midden of naar rechts) en monteer het geheel weer met behulp van de bouten.

Voorbeelden afstelling rempedaal:



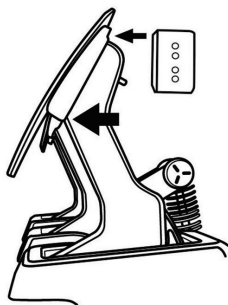
Aantal verschillende standen van een pedaal:

- 3 voor het gaspedaal
- 3 voor het rempedaal
- 3 voor het koppelingspedaal

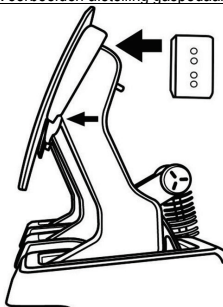
De hoek van de pedalen afstellen

- Draai met behulp van de meegeleverde 2,5 mm inbussleutel (7) de twee boutjes los waarmee het metalen pedaal (11) en de kunststof steun (10) vast zitten.
- Draai de kunststof pedaalsteun (10) 180° (of verwissel hem) en monteer het geheel weer met behulp van de bouten.

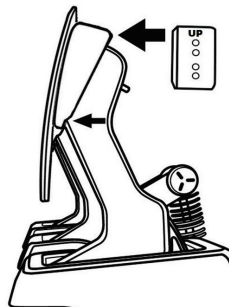
Voorbeelden afstelling gaspedaal:



Kleine hoek (standaard)



Grote hoek (standaard)



Verticale stand

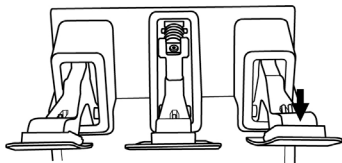
Aantal verschillende standen van een pedaal:

- 3 voor het gaspedaal
- 3 voor het rempedaal
- 3 voor het koppelingspedaal

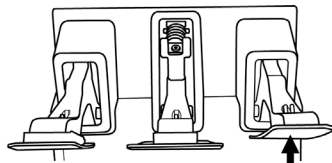
De uitlijning van de pedalen aanpassen

- Monteer de kunststof pedaalsteun (10) om het pedaal naar voren te halen.
- Verwijder de kunststof pedaalsteun (10) om het pedaal naar achteren te plaatsen.

Voorbeelden afstelling gaspedaal:



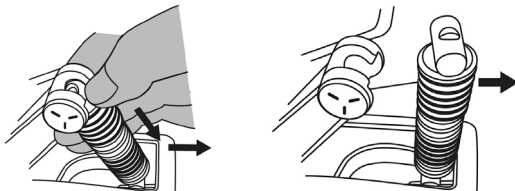
Voorste stand (standard)



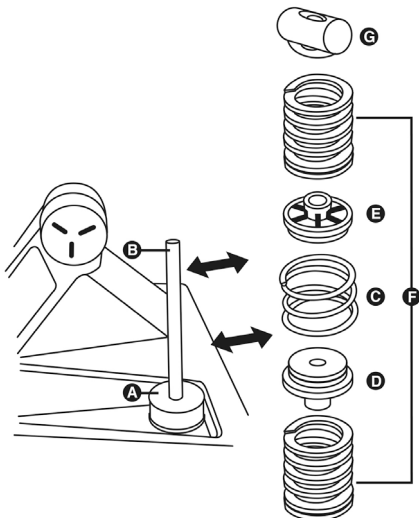
Achterste stand

De weerstand van het rempedaal afstellen

- Koppel de pedaalsset los van de PC of gameconsole en druk stevig op de ring van de bovenste borgpen (G) (aan de achterkant van het pedaal) en trek het onderdeel vervolgens achterwaarts uit de metalen arm.



- Verwijder de verschillende onderdelen van de stang (B).



A Load Cell krachtsensor

⚠ Mag nooit van de stang worden verwijderd!

B Stang voor vering

C Centrale verchroomde voorspanveer met 4 spiralen

D Rubber afstandhouder

E Kunststof afstandhouder

F Hoofdveren met 7 spiralen
(F10, F15, F20, F30)

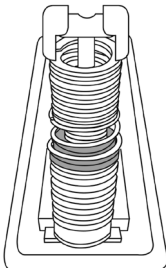
G Bovenste borgpen met ring

De weerstand van het rempedaal kan worden aangepast door de hoofdveren F te verwisselen of in een andere samenstelling te gebruiken.

Kleur F-veer	Veerweerstand
WIT (1 meegeleverd)	F10
GRUJS (1 meegeleverd)	F15
ZWART (1 meegeleverd)	F20
ROOD (2 meegeleverd)	F30

- Plaats de verschillende onderdelen en de gewenste hoofdveren (F10, F15, F20 or F30) (inclusief bijbehorende afstandhouders) terug op de stang.

Voorbeeld	Weerstand
1 witte F10-veer + 1 grijze F15-veer	Zwakke weerstand
1 grijze F15-veer + 1 zwarte F20-veer (standaard geïnstalleerd)	Medium weerstand
2 rode F30-veren	Sterke weerstand



Probeer combinaties van verschillende veren uit (er zijn diverse mogelijkheden) om te bepalen welke weerstand het beste bij u past.

Als u de weerstand hebt aangepast, sluit u de pedaalsset met behulp van de USB-kabel (1) aan op de PC en gebruikt u de kalibratiesoftware om het rempedaal opnieuw te kalibreren. Deze nieuwe kalibratie (op basis van de nieuwe weerstand van het rempedaal) wordt automatisch opgeslagen in het interne geheugen van de pedaalsset en gebruikt voor alle games op uw PC of gameconsole.

⚠ UITERST BELANGRIJK ⚠

De standaardkalibratie van de pedaalsset in de fabriek is uitgevoerd op basis van een grijze F15-veer en een zwarte F20-veer (normale weerstand). Als u de veren verwisselt (en de weerstand van het rempedaal aanpast), moet u het rempedaal opnieuw kalibreren met behulp van de kalibratiesoftware op de PC. Doet u dat niet, dan zal het rempedaal op uw PC of gameconsole niet goed werken.

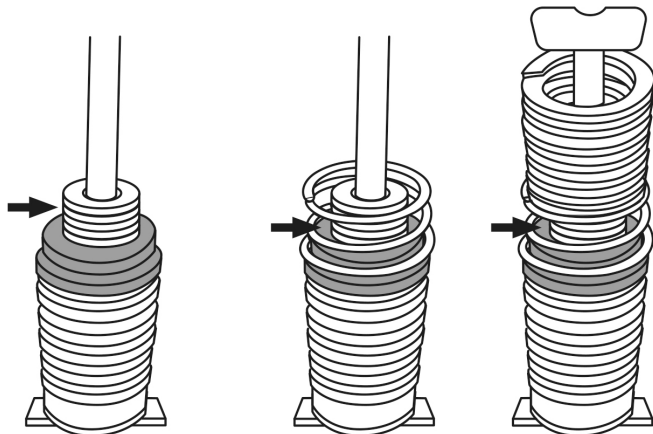
De voorspanning van het rempedaal verkleinen of opheffen

Gebruikers die een voorkeur hebben voor een meer lineaire remweerstand, kunnen eventueel het voorspanneffect van de centrale verchroomde voorspanveer (C) verminderen of opheffen.

Schuif in dat geval 1 tot 5 platte ringen (B) op de stang, in het midden van de centrale verchroomde voorspanveer (C).

Opmerking: Naarmate u meer ringen toevoegt, wordt het voorspanneffect lager (en helemaal opgeheven bij 5 platte ringen).

Voorbeeld van opheffing van het voorspanneffect door gebruik van alle 5 platte ringen:



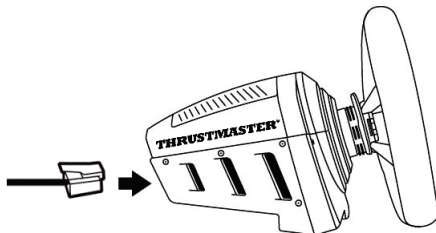
Belangrijk:

Door het aanbrengen van deze platte ringen zal ook het mechanische bereik van het rempedaal kleiner worden.

DE PEDAAALSET GEBRUIKEN MET EEN THRUSTMASTER-RACESTUUR = LOSSE RJ12-KABEL (2) VEREIST

(Bij dit gebruik mag de losse USB-kabel (1) niet op de pedaalset worden aangesloten.)

COMPATIBILITEIT: PC EN GAMECONSOLES



⚠ UITERST BELANGRIJK ⚠

Voor een optimale werking moet de pedaalset direct worden aangesloten op de voet van het Thrustmaster-racestuur (TS-PC Racer, T-GT, T300, T150, TS-XW, TX en TMX) en moet de firmware van de voet zijn bijgewerkt met de nieuwste versie, te vinden op <https://support.thrustmaster.com>. Met deze nieuwe firmware kunt u het hoge precisieniveau van de pedaalset T-LCM Pedals optimaal benutten en persoonlijke instellingen maken en gebruiken via de kalibratiesoftware.

- Als u de firmware van de voet van het Thrustmaster-racestuur hebt bijgewerkt, gebruikt u de losse RJ12-kabel (2) om de pedaalset aan te sluiten op de achterkant van de voet van het racestuur.

Sluit het racestuur aan op uw PC of gameconsole.

- De **MODE**-indicator op de voet van het racestuur knippert 5 keer ten teken dat de pedaalset wordt herkend en optimaal werkt.

Als de **MODE**-indicator niet op bovenstaande wijze reageert, is de nieuwste firmwareversie niet op de voet geïnstalleerd en wordt de pedaalset niet herkend als een **T-LCM Pedals** pedaalset met een hoge precisie, maar beschouwd als een standaardpedaalset van het type **T3PA** of **T3PA PRO**.

HET GAMEN KAN NU BEGINNEN!

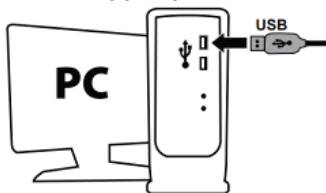
Opmerking: In deze configuratie moet een officieel Thrustmaster-stuur op de voet van het racestuur zijn geïnstalleerd. Anders wordt de pedaalset niet herkend als een **T-LCM Pedals** pedaalset met hoge precisie.

DE PEDAALSET GEBRUIKEN MET EEN ANDER RACESTUUR DAN VAN THRUSTMASTER

(OOK MOGELIJK MET EEN THRUSTMASTER-RACESTUURVOET)

= LOSSE USB-KABEL (1) VEREIST

COMPATIBILITEIT: ALLEEN VOOR PC



- Sluit de pedaalset met behulp van de losse USB-kabel (1) aan op een van de USB-poorten van de PC en installeer de drivers.
- Als de drivers zijn geïnstalleerd, klikt u op **Finish** om uw computer opnieuw te starten.

HET GAMEN KAN NU BEGINNEN!

Opmerkingen wanneer de pedaalset via de USB-kabel is aangesloten op een PC:

- De pedaalset is compatibel met alle verkrijgbare racesturen voor games die meerdere USB-verbindingen en afzonderlijke pedaalsets ondersteunen.
- Start de game pas nadat u het venster **Game Controllers** hebt gesloten (door op **OK** te klikken) en de kalibratiesoftware van de pedaalset hebt afgesloten.
- De firmwareversie van de pedaalset wordt links onder in de kalibratiesoftware weergegeven.

OVERZICHT VAN AANSLUITING VAN PEDAALSET OP BASIS VAN GEBRUIKTE RACESTUUR EN PLATFORM

	Aansluiting pedaalset
Op GAMECONSOLE met THRUSTMASTER-RACESTUUR	Losse RJ12-kabel (2)
Op PC met THRUSTMASTER-RACESTUUR	Losse RJ12-kabel (2) of losse USB-kabel (1)
Op PC met ander racestuur dan van Thrustmaster	Losse USB-kabel (1)

WAARSCHUWING



Voor uw en andermans veiligheid mag de pedaalsset nooit worden gebruikt op blote voeten of met alleen sokken aan.

THRUSTMASTER® WIJST ELKE VERANTWOORDELIJKHEID AF IN GEVAL VAN LETSEL ALS GEVOLG VAN HET ZONDER SCHOENEN GEBRUIKEN VAN DE PEDAALSET.



Waarschuwing — Elektrische schok

- * Berg dit product op een droge plek op, uit de zon en stofvrij.
- * Houd rekening met de polariteit van de aansluiting.
- * Trek nooit te hard aan een kabel of connector, en zorg dat er geen knikken in kabels komen.
- * Mors geen vloeistoffen op het product of op een connector.
- * Veroorzaak geen kortsluiting.
- * Haal het product nooit uit elkaar (uitgezonderd ten behoeve van eventuele afstellingen beschreven in deze handleiding). Gooi het niet in het vuur en stel het niet bloot aan hoge temperaturen.



Waarschuwing — Mogelijk letsel ten gevolge van herhaalde bewegingen

Gamen met een pedaalsset kan leiden tot pijn in de gewrichten of de spieren. Hoe voorkomt u problemen:

- * Vermijd langdurige gamesessies. (neem na elk uur gamen een pauze van 10 tot 15 minuten).
- * Stop met gamen bij last van vermoeidheid of pijn in voeten of benen, en rust een paar uur voordat u weer verder gaat met gamen.
- * Stop al het gamen als de hierboven beschreven symptomen van pijn of ongemak blijven aanhouden tijdens het gamen en raadpleeg een huisarts.



Waarschuwing — Pedaalsset beknelingsgevaar tijdens gamen

- * Houd de pedaalsset buiten het bereik van kinderen.
- * Zorg tijdens gebruik dat vingers of duimen (of andere delen van uw lichaam) nooit in de buurt van of op de pedaalarmen komen.

NOOIT



TIPS EN ADVIEZEN (niet opgenomen in deze handleiding)

Er zijn diverse tips en adviezen beschikbaar op <https://support.thrustmaster.com>: klik op Raceturen / T-LCM Pedals.

Informatie met betrekking tot kopersgarantie

Wereldwijd garandeert Guillemot Corporation S.A., het statutair adres gevestigd aan de Place du Granier, B.P. 97143, 35571 Chantepie, Frankrijk, (hierna te noemen "Guillemot") aan de koper dat dit Thrustmaster-product vrij zal zijn van materiaal- en fabricagefouten gedurende een garantieperiode gelijk aan de tijd maximaal vereist om een restitutie/vervanging voor dit product te claimen. In landen van de Europese Unie komt dit overeen met een periode van twee (2) jaar vanaf het moment van levering van het Thrustmaster-product. In andere landen komt de garantieperiode overeen met de tijd maximaal vereist om een restitutie/vervanging voor dit Thrustmaster-product te claimen zoals wettelijk is vastgelegd in het land waarin de koper woonachtig was op de datum van aankoop van het Thrustmaster-product. Indien een dergelijk claimrecht niet wettelijk is vastgelegd in het betreffende land, geldt een garantieperiode van één (1) jaar vanaf datum aankoop van het Thrustmaster-product.

Indien u in de garantieperiode een defect meent te constateren aan dit product, neem dan onmiddellijk contact op met Technical Support die u zal informeren over de te volgen procedure. Als het defect wordt bevestigd, dient het product te worden geretourneerd naar de plaats van aankoop (of een andere locatie die wordt opgegeven door Technical Support).

Binnen het gestelde van deze garantie wordt het defecte product van de koper gerepareerd of vervangen, zulks ter beoordeling van Technical Support. Indien het Thrustmaster-product tijdens de garantieperiode is onderworpen aan een dergelijk herstel, wordt elke periode van ten minste zeven (7) dagen waarin het product niet in gebruik is, opgeteld bij de resterende garantieperiode (deze periode loopt vanaf de datum van verzoek van de consument voor interventie of vanaf de datum waarop het product in kwestie beschikbaar is gesteld voor herstel als de datum waarop het product ter beschikking wordt gesteld voor herstel later is dan de datum van het verzoek om interventie). Indien toegestaan door van toepassing zijnde wetgeving, beperkt de volledige aansprakelijkheid van Guillemot en haar dochterondernemingen (inclusief de aansprakelijkheid voor vervolgschade) zich tot het repareren of vervangen van het Thrustmaster-product. Indien toegestaan door van toepassing zijnde wetgeving, wijst Guillemot elke garantie af met betrekking tot verhandelbaarheid of geschiktheid voor enig doel.

Deze garantie is niet van kracht: (1) indien het product aangepast, geopend of gewijzigd is, of beschadigd is ten gevolge van oneigenlijk of onvoorzichtig gebruik, verwaarlozing, een ongeluk, normale slijtage, of enige andere oorzaak die niet gerelateerd is aan een materiaal- of fabricagefout (inclusief maar niet beperkt tot het combineren van het Thrustmaster-product met enig ongeschikt element waaronder in het bijzonder voedingsadapters, oplaadbare batterijen, opladers of enig ander element niet geleverd door Guillemot voor dit product); (2) als het product is gebruikt voor enig ander doel dan thuisgebruik, zoals maar niet exclusief een professioneel of commercieel doel (bijvoorbeeld game rooms, training, wedstrijden); (3) indien u zich niet houdt aan de instructies zoals verstrekt door Technical Support; (4) op software die onder een specifieke garantie valt; (5) op verbruiksartikelen (elementen die tijdens de levensduur van het product worden vervangen zoals bijvoorbeeld batterijen of pads van een headset of koptelefoon); (6) op accessoires (zoals bijvoorbeeld kabels, behuizingen, hoesjes, etui's, draagtassen of polsbandjes); (7) indien het product werd verkocht op een openbare veiling.

Deze garantie is niet overdraagbaar.

De wettelijke rechten van de koper die in zijn/haar land van toepassing zijn op de verkoop van consumentproducten worden op generlei wijze door deze garantie beperkt.

Aanvullende garantiebepalingen

Gedurende de garantieperiode zal Guillemot in principe nooit reserveonderdelen leveren omdat Technical Support de enige partij is die bevoegd is een Thrustmaster-product te openen en/of te herstellen (met uitzondering van een herstelprocedure die de klant door Technical Support gevraagd wordt uit te voeren met behulp van schriftelijke instructies – omdat deze procedure bijvoorbeeld eenvoudig is en het herstelproces niet vertrouwelijk is – en door het verstrekken aan de consument van de benodigde onderdelen, indien van toepassing).

Gezien de innovatiecycli en om haar knowhow en handelsgeheimen te beschermen, zal Guillemot in principe nooit een herstelbeschrijving of reserveonderdelen verstrekken voor een Thrustmaster-product waarvan de garantieperiode is verstreken.

Aansprakelijkheid

Indien toegestaan door van toepassing zijnde wetgeving, wijzen Guillemot Corporation S.A. (hierna te noemen "Guillemot") en haar dochterondernemingen alle aansprakelijkheid af voor enige schade veroorzaakt door één van de volgende oorzaken: (1) indien het product aangepast, geopend of gewijzigd is; (2) de montage-instructies niet zijn opgevolgd; (3) oneigenlijk of onvoorzichtig gebruik, verwaarlozing, een ongeluk (bijvoorbeeld stoten); (4) normale slijtage; (5) het gebruik van het product voor enig ander doel dan thuisgebruik, zoals maar niet exclusief een professioneel of commercieel doel (bijvoorbeeld game rooms, training, wedstrijden). Indien toegestaan onder van toepassing zijnde wetgeving, wijzen Guillemot en haar dochterondernemingen alle aansprakelijkheid af voor enige schade aan dit product niet gerelateerd aan een materiaal- of fabricagefout (inclusief maar niet beperkt tot enige schade direct of indirect veroorzaakt door enige software, of door het combineren van het Thrustmaster-product met enig ongeschikt element waaronder in het bijzonder voedingsadapters, oplaadbare batterijen, opladers of enig ander element niet geleverd door Guillemot voor dit product).

THRUSTMASTER®

TECHNISCHE ONDERSTEUNING

<https://support.thrustmaster.com>



COPYRIGHT

© 2019 Guillemot Corporation S.A. Alle rechten voorbehouden. Thrustmaster® is een geregistreerd handelsmerk van Guillemot Corporation S.A. PlayStation® is een geregistreerd handelsmerk van Sony Interactive Entertainment, Inc. Windows® is een geregistreerd handelsmerk van Microsoft Corporation in de Verenigde Staten en/of andere landen. Alle overige handelsmerken en merknamen worden hierbij erkend als zijnde het eigendom van de respectieve eigenaren. Afbeeldingen zijn niet bindend. Inhoud, ontwerp en specificaties kunnen zonder kennisgeving vooraf worden gewijzigd en kunnen per land verschillen. Geproduceerd in China.

AANBEVELINGEN VOOR DE BESCHERMING VAN HET MILIEU



* In de Europese Unie: Gooi dit product na het einde van de levensduur niet weg met het normale afval, maar breng het naar het door uw gemeente aangewezen inzamelpunt voor elektrische en/of computerapparatuur.

Ter herinnering is hiertoe op het product, de gebruikshandleiding of de verpakking een symbool aangebracht.

De meeste materialen kunnen worden gerecycled. Door recycling en andere methoden voor verantwoorde verwerking van afgedankte elektrische en elektronische apparaten kunt u een belangrijke bijdrage leveren aan de bescherming van het milieu.

Neem contact op met uw gemeente voor informatie over een inzamelpunt bij u in de buurt.

In alle andere landen: houd u aan de plaatselijk milieuwetgeving voor elektrische en elektronische apparaten.

Bewaar deze informatie. De kleuren en decoraties kunnen variëren.

Plastic bevestigingen en hechtmaterialen moeten van het product worden verwijderd voordat het wordt gebruikt.

www.thrustmaster.com

**Alleen van toepassing in de EU en Turkije*



T-LCM PEDALS

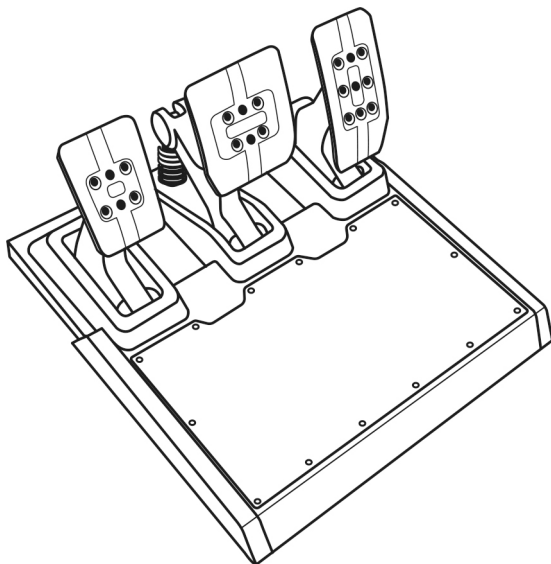
LOAD CELL & MAGNETICS

PC – PlayStation®4 – Xbox One®

Manuale d'uso

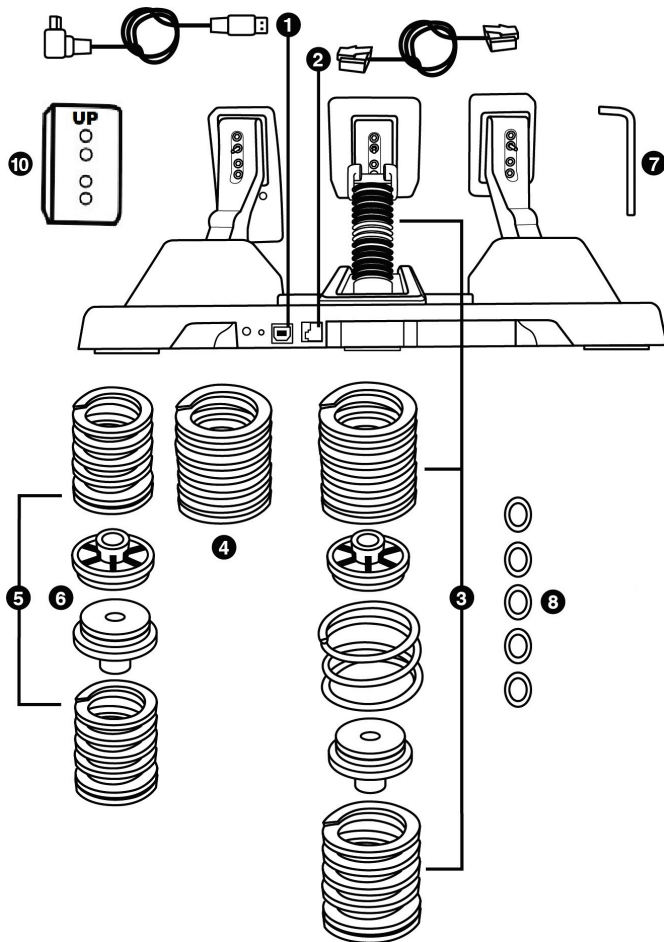


Prima di utilizzare questo prodotto, leggi attentamente il presente manuale d'uso e conservalo per una successiva consultazione.



CARATTERISTICHE TECNICHE

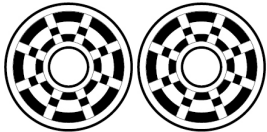
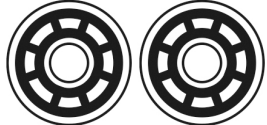
Visione d'insieme



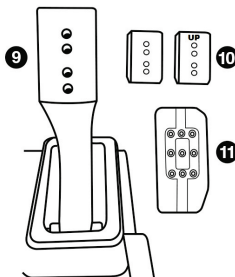
- 1 Cavo USB rimuovibile; connettore USB sul retro della pedaliera
- 2 Cavo RJ12 rimuovibile; connettore RJ12 sul retro della pedaliera
- 3 Resistenza media, installata dalla fabbrica (1 molla F20 nera + 1 molla F15 grigia) (+ 1 molla centrale cromata precompressa)
- 4 1 molla F10 bianca
- 5 2 molle F30 rosse
- 6 2 distanziatori marchiati di rosso (appositamente concepiti per essere utilizzati con le molle F30 rosse)
- 7 Chiave a brugola da 2,5 mm
- 8 5 rondelle piatte (per ridurre o eliminare la precompressione della molla centrale cromata precompressa)
- 10 Supporto in plastica della testa del pedale, per l'inclinazione verticale dei pedali

Distanziatori

Sono acclusi 2 tipi di distanziatori. È fondamentale utilizzare il tipo di spaziatore adatto, a seconda del tipo di molla scelto.

	<p><u>Spaziatori non marchiati da alcun colore (e con scanalature)</u></p> <p>Da utilizzare con le seguenti molle: F10 bianche F15 grigie F20 nere</p>
	<p><u>Spaziatori marchiati di rosso (e senza scanalature)</u></p> <p>Appositamente concepiti per essere utilizzati con le seguenti molle: F30 rosse</p>

Leve e teste dei pedali



- 9 Leva in metallo del pedale con 4 fori
- 10 Supporto in plastica per la testa del pedale (da posizionare tra la testa e la leva del pedale) con 4 fori
- 11 Teste in metallo del pedale (con diversi numeri di fori: 9 per il pedale dell'acceleratore; 6 per il pedale del freno; per il pedale della frizione)

SOFTWARE DI CALIBRAZIONE

⚠ MOLTO IMPORTANTE ⚠

Quando si modifica la resistenza del pedale del freno, occorre attenersi alla seguente procedura.

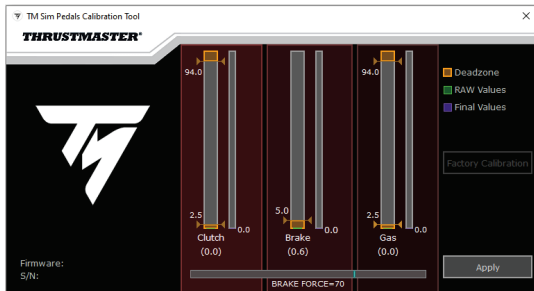
Collega la pedaliera a un PC utilizzando il cavo USB rimovibile (1).

Durante questa procedura, il cavo rimovibile RJ12 (2) deve essere scollegato dalla pedaliera.

Visita il sito <https://support.thrustmaster.com>. Clicca su **Volanti / T-LCM Pedals**, quindi scegli **Software**.

Scarica e installa il software di calibrazione:

- Per regolare, secondo i tuoi gusti, le zone morte a inizio corsa di tutti e tre i pedali.
- Per regolare, secondo i tuoi gusti, le zone morte a fine corsa del pedale dell'acceleratore e del pedale della frizione.
- Per regolare, secondo i tuoi gusti, la forza elettronica (Brake Force) sul pedale del freno.



Dopo aver correttamente configurato i vari parametri, clicca su **APPLY**, dopodichè collega il cavo USB rimovibile (1). Le impostazioni vengono salvate nella memoria interna della pedaliera: saranno attive in tutti i tuoi giochi, su PC e console.

AGGIORNARE IL FIRMWARE DELLA PEDALIERA

Per poter aggiornare il firmware, la pedaliera deve essere collegata a un PC tramite il cavo USB rimovibile (1).

Il firmware incluso nella pedaliera è aggiornabile a versioni più recenti, che apportano migliorie al prodotto.

La versione del firmware viene visualizzata nell'angolo inferiore sinistro del software di calibrazione.

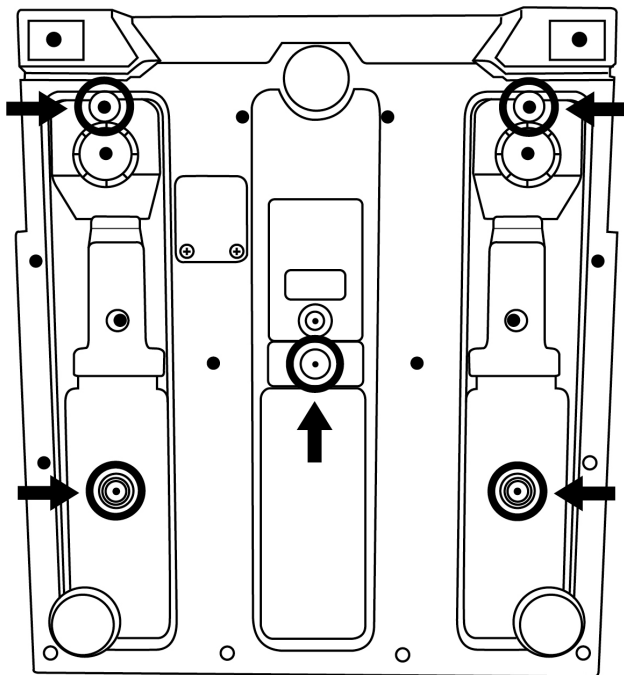
Per aggiornare il firmware della pedaliera: su PC, visita il sito <https://support.thrustmaster.com>, clicca su **Volanti / T-LCM Pedals**, quindi scegli **Firmware**, seguendo poi le istruzioni e la procedura per il download e l'installazione.

FISSARE LA PEDALIERA A UN SUPPORTO O A UN ABITACOLO

La pedaliera può essere fissata a svariati supporti compatibili (venduti separatamente), sfruttando i cinque fori per viti M6 presenti sotto la base. Per far questo, avvita almeno due viti M6 (non incluse) al supporto stesso e nei fori presenti sotto la base della pedaliera.



Importante: la lunghezza delle viti M6 non deve superare lo spessore del tuo supporto per di oltre 12 mm; altrimenti, rischieresti di danneggiare i componenti interni della tua pedaliera.



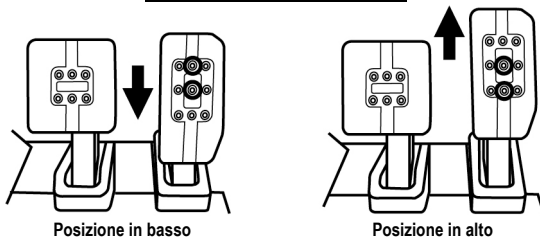
Gli schemi di fissaggio della pedaliera ad abitacoli e altri supporti, sono disponibili sul sito <https://support.thrustmaster.com>; clicca su Volanti / T-LCM Pedals, quindi seleziona Template - Cockpit setup.

REGOLAZIONI MECCANICHE DELLA PEDALIERA

Regolare l'altezza dei pedali

- Utilizzando l'acclusa chiave a brugola da 2,5 (7), allenta le due viti che fissano la testa metallica del pedale (11) al relativo supporto in plastica (10).
- Scegli la tua posizione preferita in termini di altezza, dopodiché riassume nuovamente il tutto utilizzando le viti.

Esempi con il pedale dell'acceleratore:



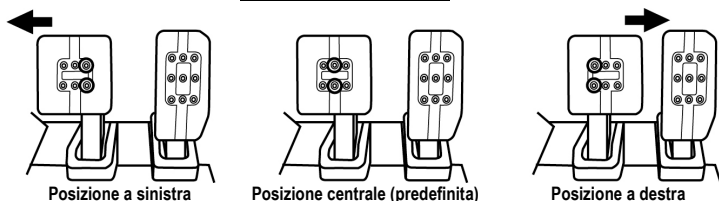
Numero delle diverse posizioni in altezza per ciascun pedale:

- 3 per il pedale dell'acceleratore
- 2 per il pedale del freno
- 2 per il pedale della frizione

Regolare la distanza fra i tre pedali

- Utilizzando l'acclusa chiave a brugola da 2,5 mm (7), allenta le due viti che fissano la testa metallica del pedale (11) al relativo supporto in plastica (10).
- Scegli la tua posizione preferita (tra sinistra, centrale o destra), dopodiché riassume nuovamente il tutto utilizzando le viti.

Esempi con il pedale del freno:



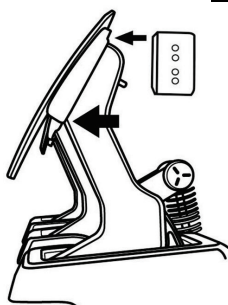
Numero delle diverse posizioni di distanza per ciascun pedale:

- 3 per il pedale dell'acceleratore
- 3 per il pedale del freno
- 3 per il pedale della frizione

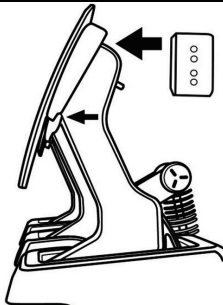
Regolare l'inclinazione dei pedali

- Utilizzando l'acclusa chiave a brugola da 2,5 mm (7), allenta le due viti che fissano la testa metallica del pedale (11) al relativo supporto in plastica (10).
- Ruota di 180° il supporto in plastica della testa del pedale (10) (oppure sostituisilo), dopodiché riassume nuovamente il tutto utilizzando le viti.

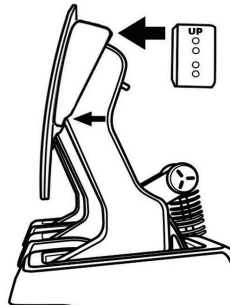
Esempi con il pedale dell'acceleratore:



Posizione meno inclinata



Posizione più inclinata
(predefinita)



Posizione verticale

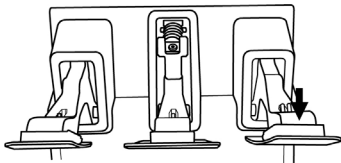
Numero delle diverse inclinazioni possibili per pedale:

- 3 per il pedale dell'acceleratore
- 3 per il pedale del freno
- 3 per il pedale della frizione

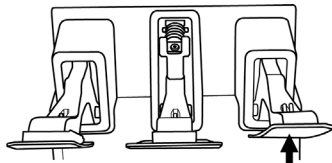
Regolare l'allineamento dei pedali

- Installa il supporto in plastica della testa del pedale (10) per spostare un pedale in avanti.
- Rimuovi il supporto in plastica della testa del pedale (10) per spostare indietro un pedale.

Esempi con il pedale dell'acceleratore:



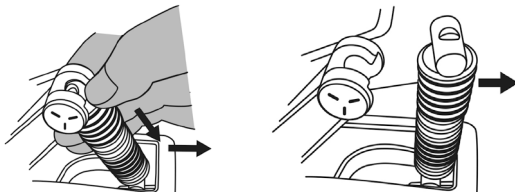
Posizione in avanti (predefinita)



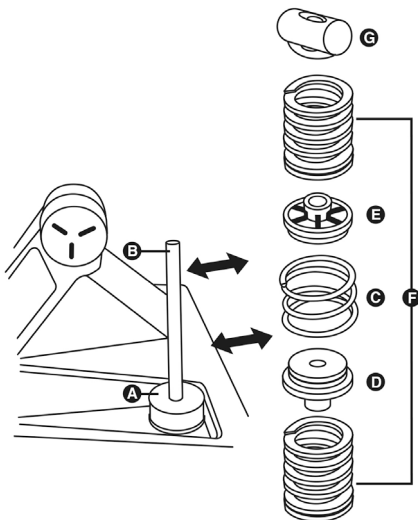
Posizione arretrata

Modificare la resistenza del pedale del freno

- Scollega la pedaliera dal PC o dalla console e spingi con decisione verso il basso la rondella del perno di fissaggio superiore (**G**) (presente sul retro del pedale), quindi tira all'indietro questa parte, svincolandola dalla leva metallica.



- Sfila i vari elementi dal cilindro di sostegno (**B**).



A Sensore della forza Load Cell

⚠ Non rimuoverlo mai dal cilindro di sostegno!

B Cilindro di sostegno per la colonna di molle

C Molla centrale cromata a 4 spire precompressa

D Distanziatore in gomma

E Distanziatore in plastica

F Molle principali a 7 spire (F10, F15, F20, F30)

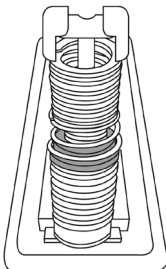
G Perno di fissaggio superiore con distanziatore

La resistenza del pedale del freno può essere regolata sostituendo o combinando le molle F principali:

Colore molla F	Resistenza molla
BIANCO (1 inclusa)	F10
GRIGIO (1 inclusa)	F15
NERO (1 inclusa)	F20
ROSSO (2 incluse)	F30

- Riposiziona i vari elementi e le molle principali (**F10, F15, F20 o F30**) da te scelti (assieme ai relativi distanziatori) sul cilindro di sostegno.

1 molla F10 bianca + 1 molla F15 grigia	Bassa resistenza
1 molla F15 grigia + 1 molla F20 nera (installata dalla fabbrica)	Media resistenza
2 molle F30 rosse	Alta resistenza



Per ottenere il livello di resistenza più adatto a te, ti invitiamo a mescolare tra loro e provare le varie molle (si possono ottenere svariate combinazioni).

Dopo aver modificato la resistenza, collega la pedaliera a un PC tramite il cavo USB rimovibile (1), dopodiché **esegui una nuova calibrazione del pedale del freno tramite il software di calibrazione**. Questa nuova calibrazione (relativa alla nuova resistenza del pedale del freno) verrà automaticamente salvata nella memoria interna della pedaliera e sarà attiva in tutti i tuoi giochi su PC e console.

▲ MOLTO IMPORTANTE ▲

La calibrazione predefinita della pedaliera viene impostata in fabbrica utilizzando una vite F15 grigia e una molla F20 nera (resistenza media). Qualora tu cambiassi le molle (modificando così la resistenza del pedale del freno), dovrai ricalibrare il pedale tramite l'apposito software su PC; altrimenti, il pedale del freno non funzionerà correttamente, su PC o console.

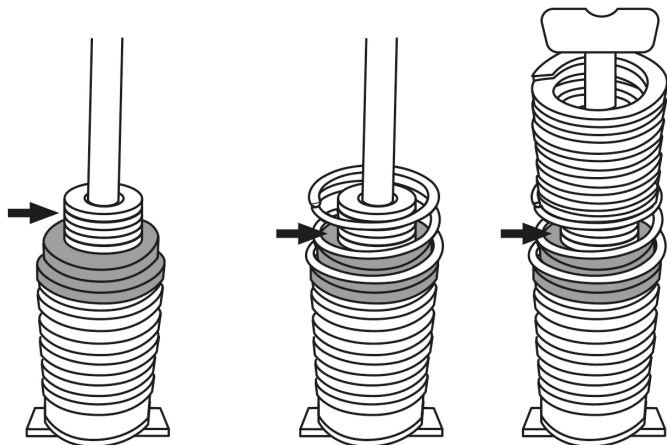
Ridurre o eliminare l'effetto di pretensionamento del pedale del freno

Per gli utenti che preferiscono una resistenza del freno più lineare, è possibile ridurre o eliminare l'effetto di pretensionamento della molla centrale cromata precompressa (C).

Per far questo, infila da una a 5 rondelle piatte (8) nel cilindro di sostegno, a metà della molla centrale cromata precompressa (C).

Nota bene: più rondelle piatte aggiungi, tanto maggiore sarà la riduzione dell'effetto di pretensionamento (fino al suo annullamento, qualora tu decida di utilizzare tutte e 5 le rondelle piatte).

Esempio di eliminazione dell'effetto di pretensionamento utilizzando tutte e 5 le rondelle piatte:



Importante:

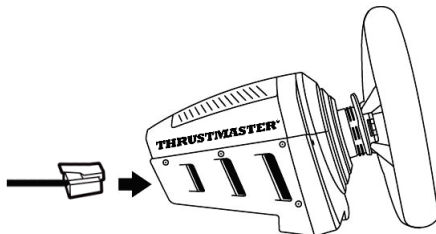
Aggiungendo le rondelle piatte, si otterrà anche un effetto di riduzione della corsa meccanica del pedale del freno.

UTILIZZARE LA PEDALIERA CON UNA BASE PER VOLANTI THRUSTMASTER

= È RICHiesto IL CAVO RJ12 RIMUOVIBILE (2)

(Per questo tipo di utilizzo, il cavo USB rimovibile (1) deve essere scollegato dalla pedaliera.)

COMPATIBILITÀ: PC E CONSOLE



⚠ MOLTO IMPORTANTE ⚠

Per garantire il funzionamento ottimale della pedaliera collegata direttamente a una base per volanti Thrustmaster (TS-PC Racer, T-GT, T300, T150, TS-XW, TX e TMX), dovrai aggiornare il firmware della base per volanti alla versione più recente, disponibile sul sito <https://support.thrustmaster.com>. Questo nuovo firmware ti permetterà di sfruttare al massimo l'altissimo livello di precisione della pedaliera T-LCM Pedals, potendo anche sfruttare le tue personali regolazioni impostate tramite il software di calibrazione.

- Una volta aggiornato il firmware della base per volanti Thrustmaster, collega la pedaliera al retro della base per volanti, utilizzando il cavo rimovibile RJ12 (2).
- Collega il volante al tuo PC o alla tua console.
- Il LED **MODE** della base del tuo volante lampeggerà 5 volte, per indicarti che la pedaliera è stata correttamente rilevata, garantendoti un funzionamento ottimale.

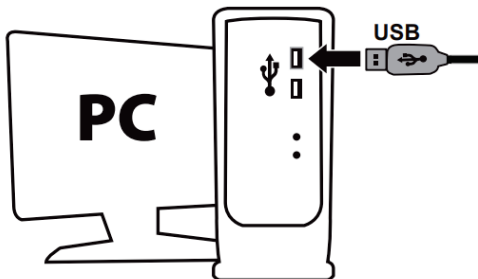
*Qualora il LED **MODE** non dovesse lampeggiare così come appena descritto, ciò sta a significare che la base del tuo volante non è stata aggiornata all'ultima versione disponibile del firmware e che la pedaliera non è stata riconosciuta come una pedaliera **T-LCM Pedals** ad alta precisione, bensì come una normale pedaliera tipo **T3PA** o **T3PA PRO**.*

ORA SEI PRONTO PER GIOCARE!

Nota bene: in questa configurazione, sulla base del tuo volante dovrà essere installato un volante Thrustmaster ufficiale. Altrimenti, la pedaliera non verrà riconosciuta come una pedaliera **T-LCM Pedals** ad alta precisione.

**UTILIZZARE LA PEDALIERA CON UN VOLANTE NON THRUSTMASTER
(POSSIBILE ANCHE UTILIZZANDO UNA BASE PER VOLANTI THRUSTMASTER)
= È RICHIESTO IL CAVO USB RIMUOVIBILE (1)**

COMPATIBILITÀ: SOLO PC



- Utilizzando il cavo USB rimuovibile (1), collega la pedaliera a una porta USB del tuo PC e completa l'installazione dei driver.
- Una volta terminata l'installazione dei driver, clicca su **Finish** e riavvia il tuo computer.

ORA SEI PRONTO PER GIOCARE!

Considerazioni nel caso in cui la pedaliera sia collegata a un PC tramite il cavo USB:

- La pedaliera è compatibile con tutti i volanti disponibili sul mercato che supportano la connessione multi-USB e pedalieri separate.
- Prima di avviare il tuo gioco, ricordati sempre di chiudere completamente la finestra **Periferiche di gioco** (cliccando su **OK**) e il software di calibrazione della pedaliera.
- La versione del firmware della pedaliera viene visualizzata nell'angolo inferiore sinistro del software di calibrazione.

PANORAMICA DEL COLLEGAMENTO DELLA PEDALIERA A SECONDA DELLA PIATTAFORMA E DEL VOLANTE UTILIZZATI

	Collegamento della pedaliera
Su CONSOLE con VOLANTE THRUSTMASTER	Cavo RJ12 rimuovibile (2)
Su PC con VOLANTE THRUSTMASTER	Cavo RJ12 rimuovibile (2) o cavo USB rimuovibile (1)
Su PC con volante non Thrustmaster	Cavo USB rimuovibile (1)

ATTENZIONE



Per ragioni di sicurezza, non utilizzare mai la pedaliera a piedi nudi o indossando solamente dei calzini.

THRUSTMASTER® DECLINA OGNI RESPONSABILITÀ IN CASO DI INFORTUNI DERIVANTI DALL'USO DELLA PEDALIERA SENZA SCARPE.



Attenzione – Shock elettrico

- * Colloca il prodotto in un luogo asciutto e non esporlo alla polvere o alla luce solare.
- * Rispetta le polarità dei collegamenti.
- * Non torcere e non tirare i connettori e i cavi.
- * Non versare alcun liquido sul prodotto o sui relativi connettori.
- * Non cortocircuitare il prodotto.
- * Non smontare mai il prodotto (fatta eccezione per una qualsiasi regolazione descritta nel presente manuale d'uso). Non gettarlo nel fuoco e non esporlo alle alte temperature.



Attenzione – Infortuni causati da movimenti ripetuti

Giocare con una pedaliera potrebbe causare dolori muscolari o alle articolazioni. Per evitare qualsiasi problema:

- * Non giocare per periodi troppo lunghi (prenditi 10-15 minuti di pausa per ogni ora di gioco).
- * Se dovessi avvertire affaticamento o dolore alle tue gambe o ai piedi, smetti di giocare e riposati per qualche ora, prima di ricominciare a giocare.
- * Qualora i sintomi o i dolori sopradescritti dovessero presentarsi nuovamente dopo aver ricominciato a giocare, smetti di giocare e consulta il tuo medico.



Attenzione – Rischio di schiacciamento durante le sessioni di gioco

- * Mantieni la pedaliera fuori dalla portata dei bambini.
- * Durante le sessioni di gioco, non appoggiare mai le tue dita (o altre parti del tuo corpo) sopra o vicino ai pedali.

MAI



SVARIATI TRUCCHI E CONSIGLI (non inclusi nel presente manuale)

Svariati trucchi e consigli sono disponibili sul sito <https://support.thrustmaster.com>: clicca su **Volanti / T-LCM Pedals**.

Informazioni sulla garanzia al consumatore

A livello mondiale, Guillemot Corporation S.A., avente sede legale in Place du Granier, B.P. 97143, 35571 Chantepie, Francia (d'ora in avanti "Guillemot") garantisce al consumatore che il presente prodotto Thrustmaster sarà privo di difetti relativi ai materiali e alla fabbricazione, per un periodo di garanzia corrispondente al limite temporale stabilito per la presentazione di un reclamo riguardante la conformità del prodotto in questione. Nei paesi della Comunità Europea, tale periodo equivale a due (2) anni a partire dalla consegna del prodotto Thrustmaster. In altri paesi, la durata della garanzia corrisponde al limite temporale stabilito per la presentazione di un reclamo riguardante la conformità del prodotto Thrustmaster in base alle leggi applicabili nel paese in cui il consumatore risiedeva alla data di acquisto del prodotto Thrustmaster (qualora nel paese in questione non esistesse alcuna norma a riguardo, il periodo di garanzia corrisponderà a un (1) anno a partire dalla data originale di acquisto del prodotto Thrustmaster).

Qualora, durante il periodo di garanzia, il prodotto dovesse apparire difettoso, contatti immediatamente l'Assistenza Tecnica, che le indicherà la procedura da seguire. Qualora il difetto dovesse essere confermato, il prodotto dovrà essere riportato al luogo di acquisto (o qualsiasi altro luogo indicato dall'Assistenza Tecnica).

Nel contesto della presente garanzia, il prodotto difettoso di proprietà del consumatore potrà essere sostituito o reso nuovamente funzionante, a discrezione dell'Assistenza Tecnica. Se, durante il periodo coperto dalla garanzia, il prodotto Thrustmaster fosse oggetto di tale rimessa in operatività, alla rimanente durata della garanzia dovrà essere aggiunto un periodo di almeno sette (7) giorni, durante il quale il prodotto risulta non utilizzabile (tale periodo intercorre dalla data della richiesta di intervento da parte del consumatore o dalla data in cui il prodotto in questione è reso disponibile per la rimessa in operatività, questo nel caso in cui tale data sia successiva alla data di richiesta di intervento). Qualora le leggi applicabili in materia lo consentano, la totale responsabilità di Guillemot e delle sue controllate (compresi i danni conseguenti) si limita alla rimessa in operatività o alla sostituzione del prodotto Thrustmaster. Qualora le leggi applicabili in materia lo consentano, Guillemot declina ogni garanzia sulla commerciabilità o la conformità a finalità particolari.

La presente garanzia non potrà essere applicata: (1) se il prodotto è stato modificato, aperto, alterato o ha subito danni derivanti da un uso inappropriato o non autorizzato, da negligenza, da un incidente, dalla semplice usura, o da qualsiasi altra causa non riconducibile a difetti nei materiali o nell'assemblaggio (compresi, ma non i soli, prodotti Thrustmaster combinati con elementi inadatti, tra cui, in particolare, batterie ricaricabili, caricatori o qualsiasi altro elemento non fornito da Guillemot per questo prodotto); (2) nel caso in cui il prodotto sia stato utilizzato per qualsiasi altro scopo al di fuori dell'uso domestico, comprese finalità professionali o commerciali (esempio: sale giochi, allenamenti, concorsi); (3) in caso di mancato rispetto delle istruzioni fornite dall'Assistenza Tecnica; (4) in caso di software, ovvero software soggetto a una specifica garanzia; (5) ai materiali di consumo (elementi che richiedono la loro sostituzione al termine della loro durata di esercizio come, ad esempio, batterie di tipo convenzionale o cuscinetti protettivi per auricolari o cuffie); (6) agli accessori (ad esempio, cavi, custodie, borsette, borse, cinturini); (7) se il prodotto è stato venduto ad un'asta pubblica.

La presente garanzia non è trasferibile.

I diritti legali del consumatore, stabiliti dalle leggi vigenti in materia di vendita di beni di consumo nel relativo paese, non vengono intaccati dalla presente garanzia.

Disposizioni addizionali sulla garanzia

Per tutta la durata della garanzia, in linea di principio, Guillemot non fornirà alcuna parte di ricambio, in quanto la sola Assistenza Tecnica è la parte autorizzata ad aprire e/o rimettere in funzionamento tutti i prodotti Thrustmaster (fatta eccezione per eventuali procedure di rimessa in operatività che l'Assistenza Tecnica potrebbe richiedere al consumatore, attraverso istruzioni scritte – viste, ad esempio, la semplicità e la mancanza di riservatezza della procedura di rimessa in operatività – e fornendo al consumatore le necessarie parti di ricambio, se ve ne fosse l'esigenza).

Considerando i propri cicli di innovazione e per proteggere il proprio know-how e i propri segreti commerciali, in linea di principio, Guillemot non fornirà alcuna notifica o parte di ricambio finalizzata alla rimessa in attività di un qualunque prodotto Thrustmaster il cui periodo di garanzia risultasse scaduto.

Responsabilità

Qualora le leggi applicabili in materia lo consentano, Guillemot Corporation S.A. (d'ora in avanti "Guillemot") e le sue controllate declinano ogni responsabilità per qualsiasi danno derivante da almeno una delle seguenti condizioni: (1) il prodotto è stato modificato, aperto o alterato; (2) mancato rispetto delle istruzioni di installazione; (3) uso inappropriato o non permesso, negligenza, incidente (come, ad esempio, un impatto); (4) semplice usura; (5) utilizzo del prodotto per qualsiasi altro scopo al di fuori dell'uso domestico, comprese finalità professionali o commerciali (esempio: sale giochi, allenamenti, concorsi). Qualora le leggi applicabili in materia lo consentano, Guillemot e le sue controllate declinano ogni responsabilità per qualsiasi danno non riconducibile a difetti nei materiali o nella fabbricazione del prodotto (compresi, ma non i soli, potenziali danni causati direttamente o indirettamente da un qualunque software, oppure dall'uso del prodotto Thrustmaster in combinazione con elementi inadatti, tra cui, in particolare, batterie ricaricabili, caricatori o qualsiasi altro elemento non fornito da Guillemot per questo prodotto).

THRUSTMASTER®

ASSISTENZA TECNICA

<https://support.thrustmaster.com>



COPYRIGHT

© 2019 Guillemot Corporation S.A. Tutti i diritti riservati. Thrustmaster® è un marchio registrato da Guillemot Corporation S.A. PlayStation® è un marchio registrato da Sony Interactive Entertainment Inc. Windows® è un marchio registrato da Microsoft Corporation negli Stati Uniti e/o altri Paesi. Tutti gli altri marchi e nomi commerciali vengono qui citati previa autorizzazione ed appartengono ai legittimi proprietari. Illustrazioni puramente indicative. I contenuti, i design e le caratteristiche possono essere oggetto di modifiche senza preavviso e possono variare da una nazione all'altra. Fabbricato in Cina.

RACCOMANDAZIONI SULLA TUTELA DELL'AMBIENTE



* Nell'Unione Europea: Al termine della sua vita operativa, questo prodotto non dovrebbe essere gettato assieme ai comuni rifiuti, ma dovrebbe essere portato ad un apposito punto di raccolta destinato al riciclaggio del Materiale Elettrico ed Elettronico.

Ciò è confermato dal simbolo riportato sul prodotto, nel manuale d'uso o sulla confezione.

A seconda delle proprie caratteristiche, i materiali potrebbero essere riciclati.

Tramite il riciclaggio ed altre forme di trattamento del Materiale Elettrico ed Elettronico, è possibile fornire un importante contributo per la salvaguardia dell'ambiente.

Per conoscere i punti di raccolta più vicini a te, contatta le autorità locali competenti.

In tutti gli altri Paesi: per favore, rispetta le leggi locali sul riciclo dei materiali elettrici ed elettronici.

Informazioni da conservare. I colori e le decorazioni possono variare.

I ganci di plastica e gli adesivi dovrebbero essere rimossi dal prodotto prima che quest'ultimo venga utilizzato.

www.thrustmaster.com

**Valido solo in UE e Turchia*



T-LCM PEDALS

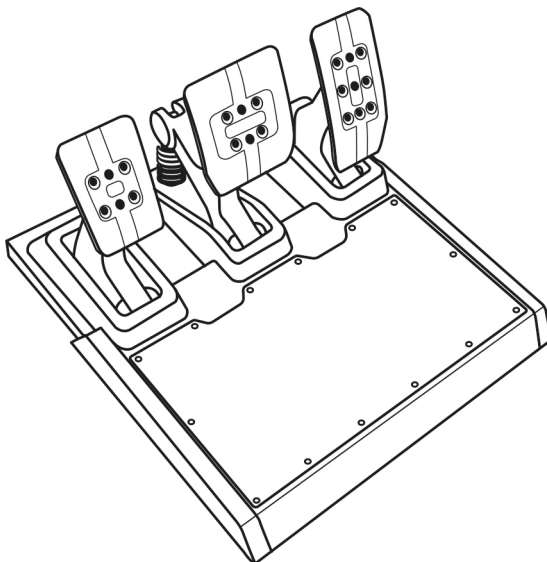
LOAD CELL & MAGNETICS

PC – PlayStation®4 – Xbox One®

Manual del usuario

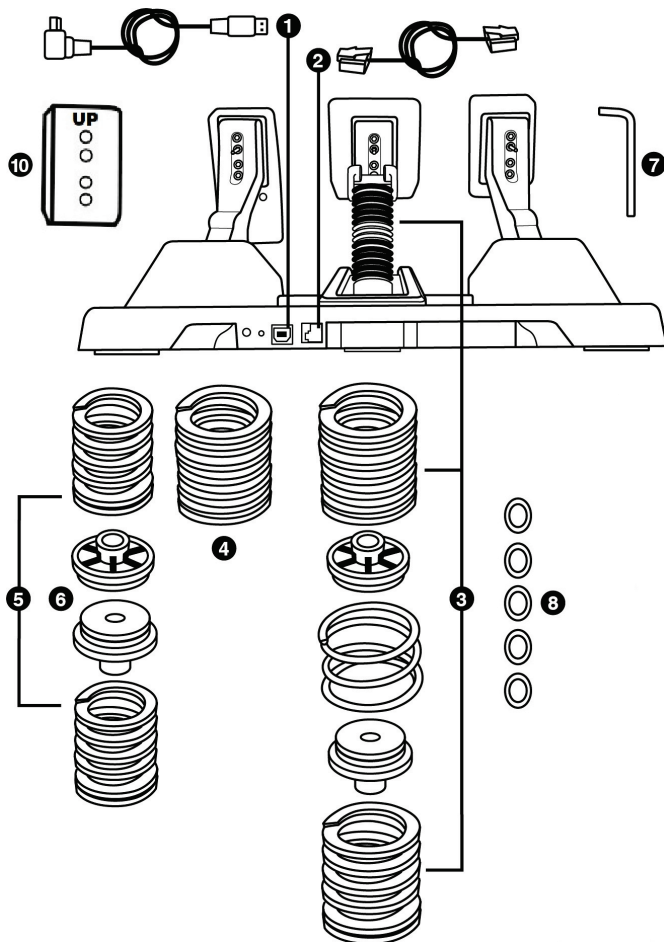


Antes de utilizar este producto, lee detenidamente este manual del usuario y consérvalo para consultarlo posteriormente.



CARACTERÍSTICAS TÉCNICAS

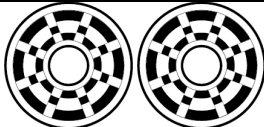
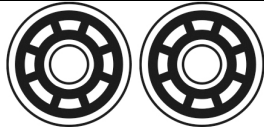
Descripción general



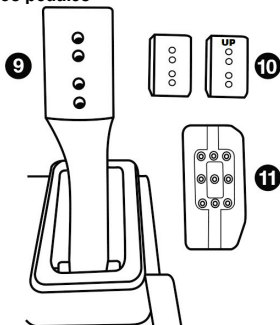
- 1 Cable USB extraíble; conector USB en la trasera de los pedales
- 2 Cable RJ12 extraíble; conector RJ12 en la trasera de los pedales
- 3 Resistencia media, preinstalada de forma predeterminada
(1 resorte F20 negro + 1 resorte F15 gris)
(+ 1 resorte central cromado pretensado)
(+ 2 separadores sin marcas)
- 4 1 resorte F10 blanco
- 5 2 resortes F30 rojos
- 6 2 separadores con marcas rojas (diseñados específicamente para usar con los resortes F30 rojos)
- 7 Llave Allen de 2,5 mm
- 8 5 arandelas planas (para reducir o eliminar la pretensión del resorte central cromado)
- 10 Soporte de plástico del cabezal del pedal para inclinación vertical de los pedales

Separadores

Se incluyen 2 tipos de separadores. Es importante usar el tipo adecuado de separador, en función del tipo de resorte seleccionado.

	<p><u>Separadores sin marcas de colores</u> <i>(y con ranuras)</i></p> <p>Para usar con los resortes siguientes: F10 blanco F15 gris F20 negro</p>
	<p><u>Separadores con marcas rojas</u> <i>(y sin ranuras)</i></p> <p>Diseñados específicamente para usar con los resortes siguientes: F30 rojo</p>

Brazos y cabezales de los pedales



- 9 Brazo metálico del pedal con 4 orificios
- 10 Soporte de plástico del cabezal del pedal (para colocar entre el brazo y el cabezal del pedal) con 4 orificios
- 11 Cabezales metálicos del pedal (con distintos números de orificios: 9 para el pedal del acelerador; 6 para el pedal del freno; 6 para el pedal del embrague)

SOFTWARE DE CALIBRACIÓN

⚠ MUY IMPORTANTE ⚠

Debes seguir este procedimiento al cambiar la resistencia del pedal del freno.

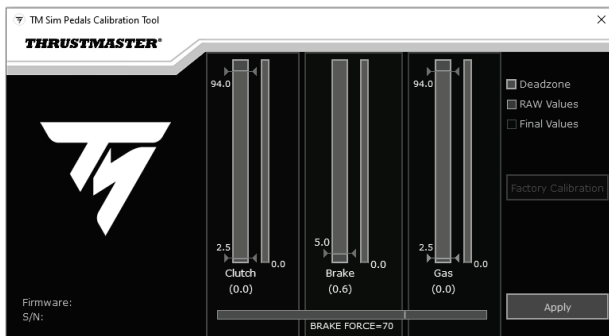
Conecta los pedales a un PC utilizando el cable USB extraíble (1).

El cable RJ12 extraíble (2) no debe estar conectado a los pedales durante este procedimiento.

Visita <https://support.thrustmaster.com>. Haz clic en **Volantes de carreras / T-LCM Pedals**, y luego selecciona **Software**.

Descarga e instala el software de calibración:

- Para ajustar las zonas muertas al principio del rango de recorrido de los tres pedales a tu gusto.
- Para ajustar las zonas muertas al final del rango de recorrido del pedal del acelerador y del embrague a tu gusto.
- Para ajustar la fuerza electrónica (Brake Force) del pedal del freno a tu gusto.



Una vez configurados correctamente los distintos ajustes, haz clic en **APPLY**, y luego desconecta el cable USB extraíble (1). Los ajustes se guardan en la memoria interna de los pedales: se harán efectivos en todos tus juegos, tanto en PC como en consolas.

ACTUALIZACIÓN DEL FIRMWARE DE LOS PEDALES

Para actualizar el firmware, los pedales se deben conectar a un PC mediante el cable USB extraíble (1).

El firmware incluido en los pedales se puede actualizar con versiones más recientes que mejoren el producto.

La versión del firmware se muestra en la esquina inferior izquierda del software de calibración.

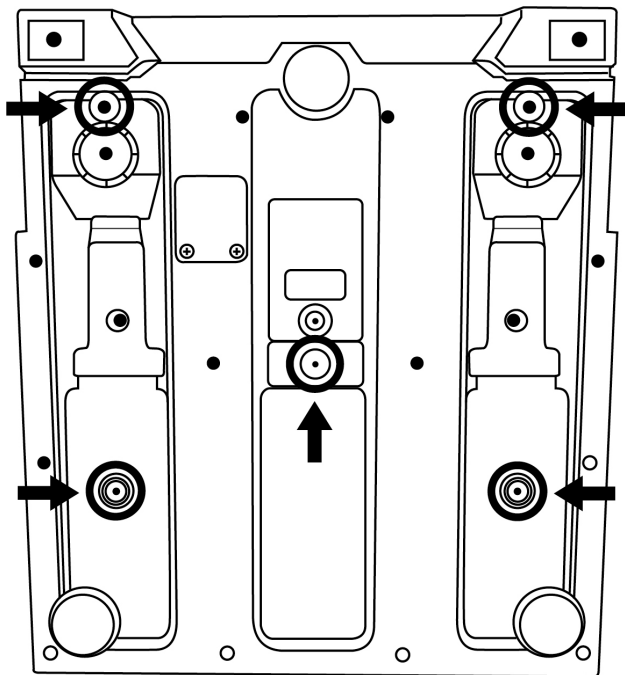
Para actualizar el firmware de los pedales: en PC, visita <https://support.thrustmaster.com>, haz clic en **Volantes de carreras / T-LCM Pedals**, después selecciona **Firmware** y sigue las instrucciones y el procedimiento de descarga e instalación.

FIJACIÓN DE LOS PEDALES A UN SOPORTE O UNA CABINA

Los pedales se pueden fijar a diversos soportes compatibles (vendidos por separado) usando las cinco roscas de tornillo de tipo M6 situadas debajo de la base. Para ello, atornilla como mínimo dos tornillos M6 (no incluidos) a través del estante del soporte, y en las roscas de tornillo de la cara inferior de la base de los pedales.



Importante: La longitud de los tornillos M6 no debe superar el grosor del soporte en más de 12 mm, para no arriesgarse a dañar los componentes internos de los pedales.



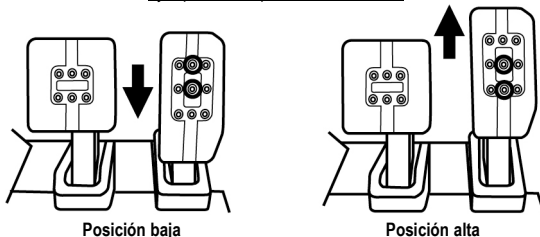
Los diagramas de configuración de los pedales para cabinas y otros soportes están disponibles en <https://support.thrustmaster.com>: haz clic en Volantes de carreras / T-LCM Pedals, y luego en Plantilla - Configuración para cabina.

AJUSTES MECÁNICOS DE LOS PEDALES

Ajuste de la altura de los pedales

- Con la llave Allen de 2,5 mm incluida (7), desatornilla los dos tornillos que sujetan el cabezal metálico del pedal (11) y su soporte de plástico (10) en su sitio.
- Elige tu posición preferida en términos de altura, y luego vuelve a apretar todo usando los tornillos.

Ejemplos con el pedal del acelerador:



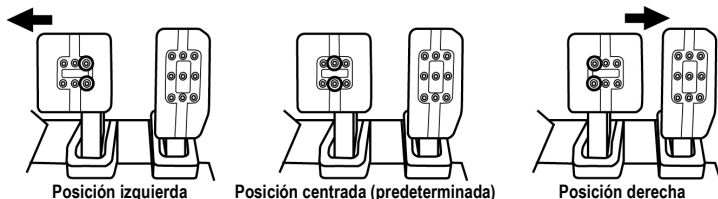
Número de posiciones de altura distintas por pedal:

- 3 para el pedal del acelerador
- 2 para el pedal del freno
- 2 para el pedal del embrague

Ajuste de la separación de los tres pedales

- Con la llave Allen de 2,5 mm incluida (7), desatornilla los dos tornillos que sujetan el cabezal metálico del pedal (11) y su soporte de plástico (10) en su sitio.
- Elige tu posición preferida (a la izquierda, centrado o a la derecha), y después vuelve a apretarlo todo con los tornillos.

Ejemplos con el pedal del freno:



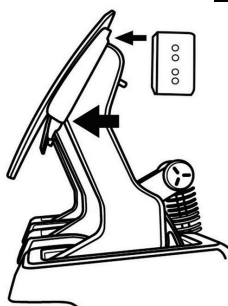
Número de posiciones de separación distintas por pedal:

- 3 para el pedal del acelerador
- 3 para el pedal del freno
- 3 para el pedal del embrague

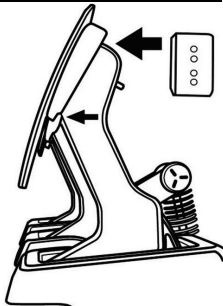
Ajuste de la inclinación de los pedales

- Con la llave Allen de 2,5 mm incluida (7), desatornilla los dos tornillos que sujetan el cabezal metálico del pedal (11) y su soporte de plástico (10) en su sitio.
- Gira el soporte de plástico del cabezal del pedal (10) 180° (o cámbialo), y después vuelve a apretarlo todo con los tornillos.

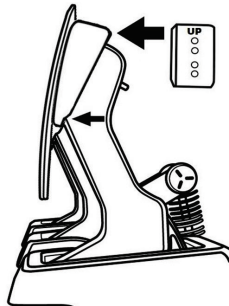
Ejemplos con el pedal del acelerador:



Posición menos inclinada



Posición más inclinada
(predeterminada)



Posición vertical

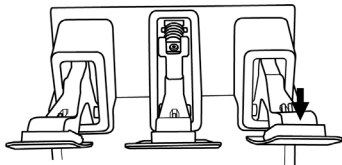
Número de posiciones de inclinación distintas por pedal:

- 3 para el pedal del acelerador
- 3 para el pedal del freno
- 3 para el pedal del embrague

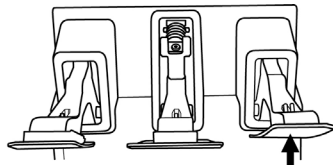
Ajuste de la alineación de los pedales

- Instala el soporte de plástico del cabezal del pedal (10) para desplazar un pedal hacia delante.
- Retira el soporte de plástico del cabezal del pedal (10) para desplazar un pedal hacia atrás.

Ejemplos con el pedal del acelerador:



Posición adelantada (predeterminada)

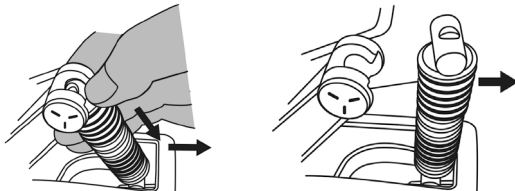


Posición atrasada

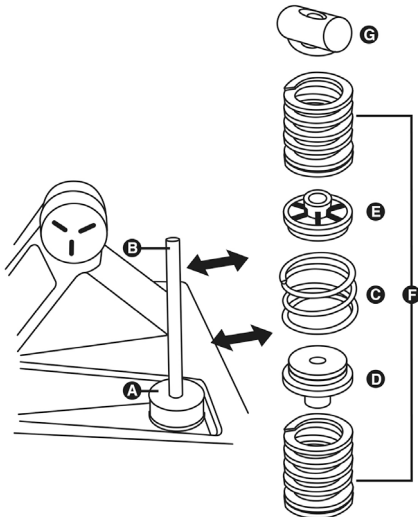
Cambio de la resistencia del pedal del freno

La resistencia del pedal del freno se puede ajustar sustituyendo o mezclando los resortes principales.

- Desconecta los pedales del PC o de la consola y aprieta hacia abajo con firmeza en la arandela del cabezal de retención superior (**G**) (situado en la parte trasera del pedal), y después tira de este componente hacia atrás para liberarlo del brazo metálico.



- Retira los distintos elementos de la varilla de sujeción (**B**).



A Sensor de fuerza Load Cell

⚠ ¡No retirarlo nunca de la varilla de sujeción!

B Varilla de sujeción de la columna de resortes

C Resorte central cromado de 4 espirales y pretensado

D Separador de goma

E Separador de plástico

F Resortes principales de 7 espirales (F10, F15, F20, F30)

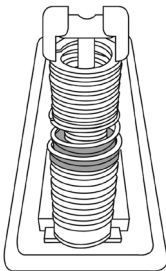
G Cabezal de retención superior con arandela

La resistencia del pedal del freno se ajusta sustituyendo o mezclando los resortes F principales:

Resorte F en color	Resistencia del resorte
BLANCO (1 incluido)	F10
GRIS (1 incluido)	F15
NEGRO (1 incluido)	F20
ROJO (2 incluidos)	F30

- Vuelve a colocar los distintos elementos y los resortes principales (**F10, F15, F20 o F30**) que elijas (junto con los separadores adecuados) en la varilla de sujeción.

Ejemplo	Resistencia
1 resorte F10 blanco + 1 resorte F15 gris	Resistencia débil
1 resorte F15 gris + 1 resorte F20 negro (instalado de forma predeterminada)	Resistencia media
2 resortes F30 rojos	Resistencia fuerte



No dudes en mezclar y probar los distintos resortes (hay distintas combinaciones posibles) para encontrar el nivel de resistencia que se ajusta mejor a tus necesidades.

Una vez que hayas modificado la resistencia, conecta los pedales a un PC mediante el cable USB extraíble (1), y después realiza una nueva calibración del pedal del freno mediante el software de calibración. Esta nueva calibración (correspondiente a la nueva resistencia del pedal del freno) se guardará automáticamente en la memoria interna de los pedales, y será efectiva en todos tus juegos, tanto en PC como en consolas.

⚠ MUY IMPORTANTE ⚠

La calibración predeterminada de los pedales en fábrica se realiza con un resorte F15 gris y un resorte F20 negro (resistencia media). En caso de que cambies los resortes (y por consiguiente la resistencia del pedal del freno), debes recalibrar el pedal del freno usando el software de calibración en PC: de no hacerlo, el pedal del freno no funcionará correctamente en PC o en consolas.

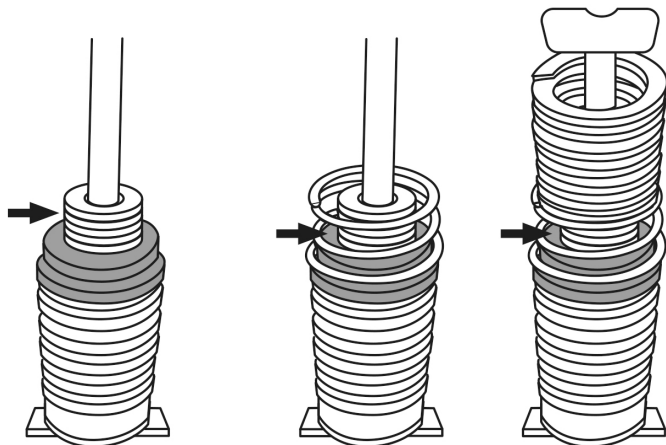
Reducción o eliminación del efecto de pretensado del pedal del freno

Para los usuarios que prefieran más resistencia de frenado lineal, también se puede reducir o eliminar el efecto de pretensado del resorte central cromado pretensado (C).

Para ello, añade de 1 a 5 arandelas planas (8) en la varilla de sujeción, en la mitad del muelle central cromado pretensado (C).

Nota: Cuantas más arandelas planas añadidas, más se reducirá el efecto de pretensado (o se eliminará del todo, en caso de que uses las 5 arandelas planas).

Ejemplo de cómo eliminar el efecto de pretensado usando las 5 arandelas planas:



Importante:

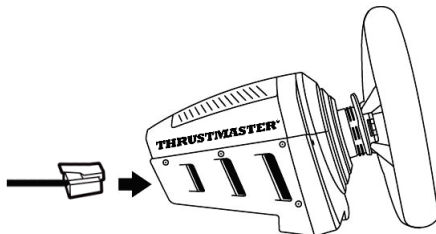
Añadir esas arandelas planas también tendrá el efecto de reducir el recorrido mecánico del pedal del freno.

USAR LOS PEDALES CON UNA BASE DE VOLANTE DE CARRERAS DE THRUSTMASTER

= SE NECESITA UN CABLE RJ12 EXTRAÍBLE (2)

(El cable USB extraíble (1) no debe estar conectado a los pedales durante este tipo de uso).

COMPATIBILIDAD: PC Y CONSOLAS



▲ MUY IMPORTANTE ▲

Para garantizar el funcionamiento óptimo de los pedales conectados directamente a una base de volante de carreras de Thrustmaster (TS-PC Racer, T-GT, T300, T150, TS-XW, TX y TMX), debes actualizar el firmware de la base del volante de carreras con la última versión disponible en <https://support.thrustmaster.com>. Este nuevo firmware te permitirá sacar el máximo partido del elevado nivel de precisión de los pedales T-LCM Pedals, y usar tus ajustes personales realizados mediante el software de calibración.

- Una vez actualizado el firmware de la base del volante de carreras de Thrustmaster, conecta los pedales a la parte trasera de la base del volante de carreras usando el cable RJ12 extraíble (2).
- Conecta el volante de carreras al PC o consola.
- **El LED MODE en la base del volante de carreras parpadea 5 veces para indicar que los pedales se han reconocido correctamente, para un funcionamiento óptimo.**

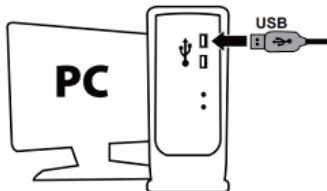
*En caso de que el LED **MODE** no parpadee según se indica arriba, esto quiere decir que la base del volante de carreras no se ha actualizado con el último firmware disponible, y que los pedales no se han reconocido como unos pedales de alta precisión **T-LCM Pedals**, sino como unos pedales estándar de tipo **T3PA** o **T3PA PRO**.*

¡YA ESTÁS LISTO PARA JUGAR!

Nota: En esta configuración, se debe instalar un aro de volante oficial de Thrustmaster en la base del volante de carreras. De no hacerlo, los pedales no serán reconocidos como unos pedales de alta precisión **T-LCM Pedals**.

**USAR LOS PEDALES CON UNA BASE DE VOLANTE DE CARRERAS QUE NO ES DE THRUSTMASTER
(TAMBIÉN ES POSIBLE CON UNA BASE DE VOLANTE DE CARRERAS DE THRUSTMASTER)
= SE NECESITA UN CABLE USB EXTRAÍBLE (1)**

COMPATIBILIDAD: SÓLO CON PC



- Conecta los pedales a uno de los puertos USB del PC usando el cable USB extraíble (1), y termina instalando los controladores.
- Una vez completada la instalación de los controladores, haz clic en **Finish** y reinicia el ordenador.

¡YA ESTÁS LISTO PARA JUGAR!

Notas para PC cuando los pedales están conectados mediante el cable USB:

- Los pedales son compatibles con todos los volantes de carreras del mercado en juegos que admitan conexión multi-USB y pedales independientes.
- Recuerda siempre cerrar por completo la ventana **Dispositivos de juego** (haciendo clic en **OK**), así como el software de calibración de los pedales, antes de iniciar el juego.
- La versión del firmware de los pedales se muestra en la esquina inferior izquierda del software de calibración.

RESUMEN DE CÓMO CONECTAR LOS PEDALES SEGÚN EL VOLANTE DE CARRERAS Y LA PLATAFORMA QUE SE ESTÁN USANDO

	Conexión de los pedales
En CONSOLA con VOLANTE DE CARRERAS DE THRUSTMASTER	Cable RJ12 extraíble (2)
En PC con VOLANTE DE CARRERAS DE THRUSTMASTER	Cable RJ12 extraíble (2) o cable USB extraíble (1)
En PC con volante de carreras que no es de Thrustmaster	Cable USB extraíble (1)

AVISO



Por motivos de seguridad, no utilizar nunca los pedales con los pies descalzos o únicamente con calcetines en los pies.
THRUSTMASTER® DECLINA TODA RESPONSABILIDAD EN CASO DE LESIONES PRODUCTO DEL USO DE LOS PEDALES SIN CALZADO.



Advertencia – Descarga eléctrica

- * Mantén el producto en un lugar seco y no lo expongas al polvo ni a la luz directa del sol.
- * Respetar las polaridades de conexión.
- * No retuerzas ni tires de los conectores ni de los cables.
- * No derrames líquidos en el producto ni en sus conectores.
- * No cortocircuites el producto.
- * No desmontes nunca el producto (aparte de los ajustes indicados en este manual del usuario). No lo arrojes al fuego ni lo expongas a altas temperaturas.



Advertencia – Lesiones debidas a movimientos repetitivos

Jugar con unos pedales puede producir dolor en las articulaciones o en los músculos. Para evitar problemas:

- * Evita los periodos de juego prolongados (haz descansos de 10 a 15 minutos por hora de juego).
- * Si sientes fatiga o dolor en los pies o las piernas, deja de jugar y descansa durante unas horas antes de volver a jugar.
- * Si los síntomas o el dolor indicados anteriormente persisten cuando vuelves a jugar, deja de hacerlo y consulta al médico.



Advertencia – Peligro de pillarse con los pedales durante las sesiones de juego

- * Mantén los pedales fuera del alcance de los niños.
- * Durante las sesiones de juego, no coloques nunca los dedos (ni otras partes del cuerpo) sobre ni cerca de los brazos de los pedales.

NUNCA



DIVERSOS TRUCOS Y CONSEJOS (no incluidos en este manual)

Hay diversos trucos y consejos disponibles en <https://support.thrustmaster.com>: haz clic en **Volantes de carreras / T-LCM Pedals**.

INFORMACIÓN DE GARANTÍA AL CONSUMIDOR

En todo el mundo, Guillemot Corporation S.A., cuyo domicilio legal se encuentra en Place du Granier, B.P. 97143, 35571 Chantepie, Francia (en lo sucesivo "Guillemot") garantiza al consumidor que este producto de Thrustmaster estará libre de defectos de materiales y mano de obra, durante un período de garantía que corresponde al límite de tiempo para interponer una acción legal referida a la conformidad en relación con este producto. En los países de la Unión Europea, esto corresponde a un período de dos (2) años a partir de la entrega del producto de Thrustmaster. En otros países, el período de garantía corresponde al límite de tiempo para interponer una acción legal referida a la conformidad en relación con este producto de Thrustmaster según las leyes aplicables del país en el que el consumidor estuviese domiciliado en la fecha de compra del producto de Thrustmaster (si no existiese una acción similar en el país correspondiente, entonces el período de garantía será de un (1) año a partir de la fecha de compra original del producto de Thrustmaster).

Si el producto resultase defectuoso durante el período de garantía, hay que ponerse en contacto inmediatamente con el Soporte Técnico, que indicará el procedimiento a seguir. Si se confirma el defecto, el producto debe devolverse a su lugar de compra (o a cualquier otra ubicación indicada por el Soporte Técnico).

Dentro del contexto de esta garantía, el producto defectuoso del consumidor será sustituido o restaurado su funcionamiento correcto. Si, durante el período de garantía, el producto de Thrustmaster fuese sometido a dicho reacondicionamiento, cualquier período de cómo mínimo siete (7) días durante el que el producto no se pueda usar se añadirá al período de garantía restante (este período va desde la fecha de petición de intervención del consumidor o desde la fecha en la que el producto se entrega para el reacondicionamiento, si la fecha en la que el producto se entrega para el reacondicionamiento fuese posterior a la fecha de la petición de intervención). Si la ley aplicable lo permite, toda la responsabilidad de Guillemot y sus filiales (incluso por daños resultantes) se limita a la restauración del funcionamiento correcto o la sustitución del producto de Thrustmaster. Si la ley aplicable lo permite, Guillemot renuncia a todas las garantías de comerciabilidad o adecuación para un propósito determinado.

Esta garantía no se aplicará: (1) si el producto ha sido modificado, abierto, alterado o ha sufrido daños como resultado de un uso inapropiado o abuso, negligencia, accidente, desgaste normal, o cualquier otra causa no relacionada con un defecto de materiales o fabricación (incluyendo, pero no de forma exclusiva, la combinación del producto de Thrustmaster con cualquier elemento no adecuado, incluyendo en particular fuentes de alimentación, baterías recargables, cargadores o cualquier otro elemento no suministrado por Guillemot para este producto); (2) si el producto se ha empleado para otro uso distinto del doméstico, incluyendo fines profesionales o comerciales (salones de juego, entrenamiento, competiciones, por ejemplo); (3) en caso de incumplimiento de las instrucciones proporcionadas por el Soporte Técnico; (4) a software, es decir software sujeto a una garantía específica; (5) a consumibles (elementos que se tienen que reemplazar a lo largo de la vida del producto: por ejemplo, baterías desechables o almohadillas para auriculares de audio); (6) a accesorios (por ejemplo, cables, cajas, bolsas, bolsos o muñequeras); (7) si el producto se ha vendido en una subasta pública.

Esta garantía no es transferible.

Los derechos legales del consumidor en relación con las leyes aplicables a la venta de productos de consumo de su país no se ven afectados por esta garantía.

Provisiones de garantía adicionales

Durante el período de garantía, Guillemot no proporcionará, en principio, ninguna pieza de repuesto, ya que el Soporte Técnico es el único autorizado para abrir y/o reacondicionar los productos de Thrustmaster (con la excepción de los procedimientos de reacondicionamiento que el Soporte técnico puede solicitar que lleve a cabo el consumidor, mediante instrucciones por escrito – por ejemplo, debido a la simplicidad y la falta de confidencialidad del proceso de reacondicionamiento – y suministrando al consumidor las piezas de repuesto necesarias, si hiciere falta).

Debido a sus ciclos de innovación y para proteger su know-how y secretos comerciales, Guillemot no proporcionará, en principio, ninguna pieza de repuesto ni instrucciones de reacondicionamiento para los productos de Thrustmaster cuyo período de garantía haya vencido.

En los Estados Unidos de América y en Canadá, esta garantía está limitada al mecanismo interno del producto y al alojamiento externo. En ningún caso, Guillemot ni sus filiales serán responsables ante terceros por daños resultantes o fortuitos resultado del incumplimiento de cualquier garantía expresa o implícita. En algunos estados o provincias no se permite la limitación de la duración de una garantía implícita ni la exclusión o limitación de responsabilidad por daños resultantes o fortuitos, por lo que las limitaciones o exclusiones anteriores pueden no ser aplicables. Esta garantía ofrece derechos legales específicos al consumidor, que también puede tener otros derechos que pueden variar de un estado a otro o de una provincia a otra.

Responsabilidad

Si la ley aplicable lo permite, Guillemot Corporation S.A. (en lo sucesivo "Guillemot") y sus filiales renuncian a toda responsabilidad por los daños causados por uno o más de los siguientes motivos: (1) el producto ha sido modificado, abierto o alterado; (2) incumplimiento de las instrucciones de montaje; (3) uso inapropiado o abuso, negligencia, accidente (un impacto, por ejemplo); (4) desgaste normal; (5) el producto se ha empleado para otro uso distinto del doméstico, incluyendo fines profesionales o comerciales (salones de juego, entrenamiento, competiciones, por ejemplo). Si la ley aplicable lo permite, Guillemot y sus filiales renuncian a toda responsabilidad por los daños no relacionados con defectos de materiales o fabricación en relación con el producto (incluyendo, pero no de forma exclusiva, los daños causados de forma directa o indirecta por cualquier software, o por combinar el producto de Thrustmaster con cualquier elemento no adecuado, incluyendo en particular fuentes de alimentación, baterías recargables, cargadores o cualquier otro elemento no suministrado por Guillemot para este producto).

THRUSTMASTER®

SOPORTE TÉCNICO

<https://support.thrustmaster.com>



COPYRIGHT

© 2019 Guillemot Corporation S.A. Todos los derechos reservados. Thrustmaster® es una marca comercial registrada de Guillemot Corporation S.A. PlayStation® es una marca comercial registrada de Sony Interactive Entertainment Inc. Windows® es una marca comercial registrada de Microsoft Corporation en Estados Unidos y en otros países. Todas las demás marcas comerciales y nombres de marca se reconocen por la presente y son propiedad de sus respectivos dueños. Ilustraciones no vinculantes. Los contenidos, diseños y especificaciones están sujetos a cambios sin previo aviso y pueden variar de un país a otro. Fabricado en China.

RECOMENDACIÓN DE PROTECCIÓN AMBIENTAL



* En la Unión Europea: Al terminar su vida útil, este producto no debe tirarse en un contenedor de basuras estándar, sino que debe dejarse en un punto de recogida de desechos eléctricos y equipamiento electrónico para ser reciclado.

Esto viene confirmado por el símbolo que se encuentra en el producto, manual del usuario o embalaje.

Dependiendo de sus características, los materiales pueden reciclarse. Mediante el reciclaje y otras formas de procesamiento de los desechos eléctricos y el equipamiento electrónico puedes contribuir de forma significativa a ayudar a proteger el medio ambiente.

Contacta con las autoridades locales para más información sobre el punto de recogida más cercano. Para los demás países: cumple las leyes locales sobre reciclaje de equipos eléctricos y electrónicos.

Esta información debe conservarse. Los colores y motivos decorativos pueden variar. Los adhesivos y los cierres de plástico se deben quitar del producto antes de utilizarlo.

www.thrustmaster.com

**Aplicable únicamente a la UE y Turquía*



T-LCM PEDALS

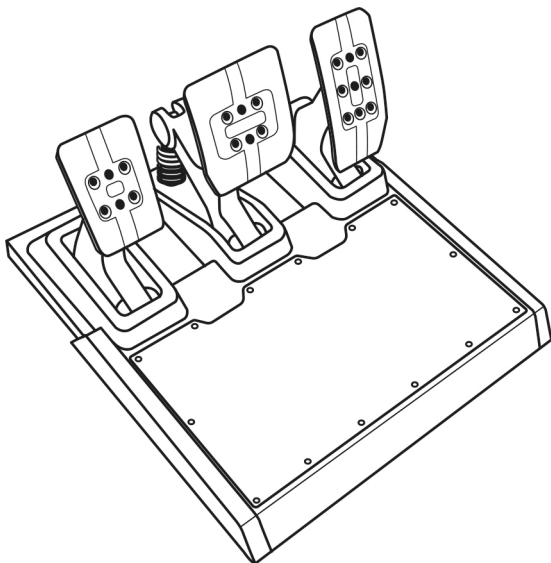
LOAD CELL & MAGNETICS

PC – PlayStation®4 – Xbox One®

Manual do Utilizador

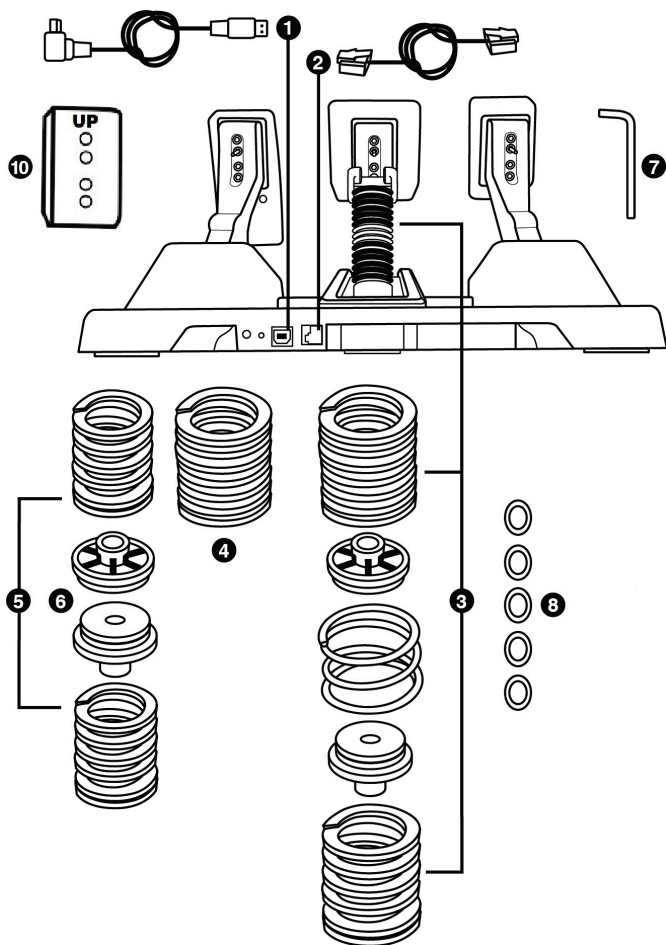


Antes de utilizar este produto, leia atentamente este manual do utilizador e guarde-o para consulta futura.



CARACTERÍSTICAS TÉCNICAS

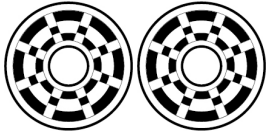
Vista geral



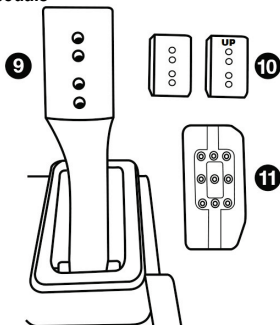
- 1 Cabo USB amovível; conector USB na parte posterior do conjunto de pedais
- 2 Cabo RJ12 amovível; conector RJ12 na parte posterior do conjunto de pedais
- 3 Resistência média, pré-instalada por predefinição
(1 mola F20 preta + 1 mola F15 cinzenta)
(+ 1 mola de pré-esforço cromada central)
(+ 2 espaçadores sem marcas)
- 4 1 mola F10 branca
- 5 2 molas F30 vermelhas
- 6 2 espaçadores com marcas vermelhas
(concebidos especialmente para utilização com as molas F30 vermelhas)
- 7 Chave sextavada de 2,5 mm
- 8 5 anilhas chatas (para diminuir ou eliminar o pré-esforço da mola cromada central)
- 10 Suporte da cabeça do pedal de plástico para a inclinação vertical dos pedais

Espaçadores

São incluídos 2 tipos de espaçadores. É importante utilizar o tipo de espaçador adequado, consoante o tipo de mola selecionada.

	<p><u>Espaçadores sem marcas coloridas</u> <u>(e com estrias)</u></p> <p>Para utilização com as seguintes molas: F10 branca F15 cinzenta F20 preta</p>
	<p><u>Espaçadores com marcas vermelhas</u> <u>(e sem estrias)</u></p> <p>Concebidos especialmente para utilização com as seguintes molas: F30 vermelha</p>

Braços e cabeças dos pedais



- 9 Braço do pedal de metal com 4 orifícios
- 10 Suporte da cabeça do pedal de plástico (para posicionar entre a cabeça e o braço do pedal) com 4 orifícios
- 11 Cabeças dos pedais de metal (com diferentes números de orifícios: 9 para o pedal do acelerador, 6 para o pedal do travão, 6 para o pedal da embraiagem)

SOFTWARE DE CALIBRAGEM

⚠ MUITO IMPORTANTE ⚠

Deve seguir este procedimento ao alterar a resistência do pedal do travão.

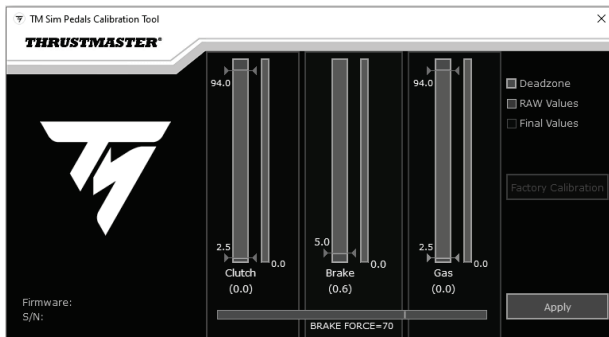
Ligue o conjunto de pedais a um PC utilizando o cabo USB amovível (1).

O cabo RJ12 amovível (2) não deve estar ligado ao conjunto de pedais durante este procedimento.

Aceda a <https://support.thrustmaster.com>. Clique em **Volantes / T-LCM Pedals** e seleccione **Software**.

Transfira e instale o software de calibragem:

- Para ajustar ao seu gosto as zonas mortas no início do curso nos três pedais.
- Para ajustar ao seu gosto as zonas mortas no fim do curso nos pedais do acelerador e da embraiagem.
- Para ajustar ao seu gosto a força eletrónica (Brake Force) no pedal do travão.



Uma vez devidamente configuradas as diferentes definições, clique em **APPLY** e desligue o cabo USB amovível (1). As definições são guardadas na memória interna do conjunto de pedais e serão aplicadas em todos os seus jogos, no PC e em consolas de jogos.

ATUALIZAR O FIRMWARE DO CONJUNTO DE PEDAIS

De modo a atualizar o firmware, o conjunto de pedais deve estar ligado a um PC através do cabo USB amovível (1).

O firmware incluído no conjunto de pedais pode ser atualizado com versões mais recentes, as quais permitem melhoramentos do produto.

A versão do firmware é apresentada no canto inferior esquerdo do software de calibragem.

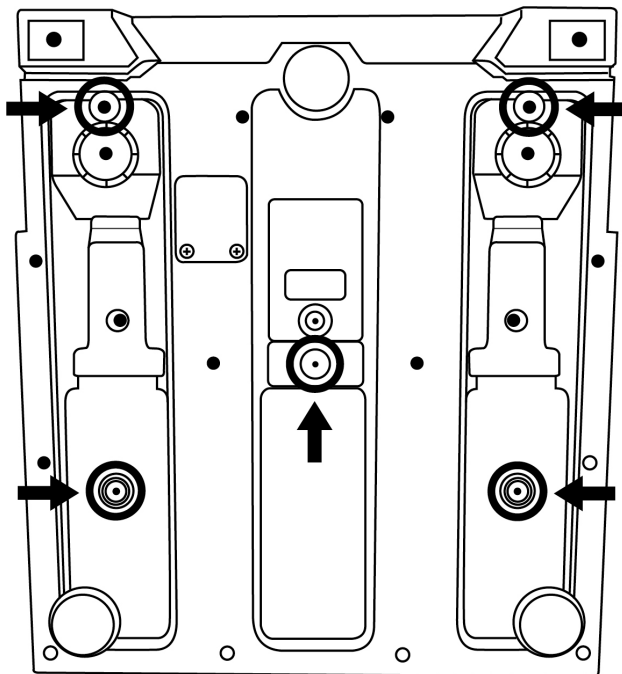
Para atualizar o firmware do conjunto de pedais: no PC, aceda a <https://support.thrustmaster.com>, clique em **Volantes / T-LCM Pedals**, em seguida seleccione **Firmware** e siga as instruções e o procedimento de transferência e instalação.

FIXAR O CONJUNTO DE PEDAIS A UM SUPORTE OU COCKPIT

O conjunto de pedais pode ser fixado a uma variedade de diferentes suportes compatíveis (vendidos à parte) utilizando as cinco roscas de parafusos de tipo M6 situadas por baixo da base. Para tal, enrosque pelo menos dois parafusos M6 (não incluídos) através da prateleira do suporte e nas roscas de parafusos no lado inferior da base do conjunto de pedais.



Importante: o comprimento dos parafusos M6 não deve exceder a espessura do suporte mais de 12 mm/0,47 polegadas, para evitar o risco de danificar os componentes internos do conjunto de pedais.



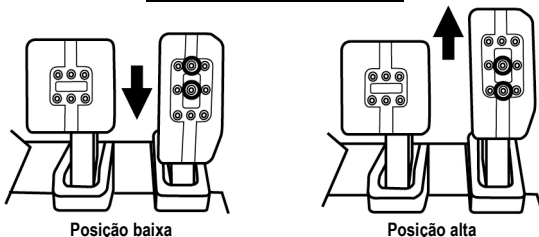
Os diagramas de configuração do conjunto de pedais para cockpits e outros suportes estão disponíveis em <https://support.thrustmaster.com>: clique em Volantes / T-LCM Pedals, seguido de Template - Cockpit setup.

DEFINIÇÕES MECÂNICAS PARA O CONJUNTO DE PEDAIS

Ajustar a altura dos pedais

- Utilizando a chave sextavada de 2,5 mm (7) incluída, desaperte os dois parafusos que mantêm a cabeça do pedal de metal (11) e o respetivo suporte de plástico (10) na posição.
- Escolha a sua posição preferida em termos de altura e em seguida aperte novamente tudo em conjunto utilizando os parafusos.

Exemplos com o pedal do acelerador:



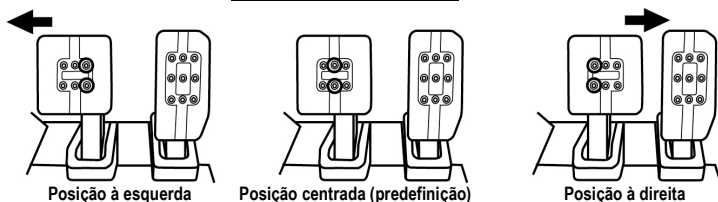
Número de posições de altura diferentes por pedal:

- 3 para o pedal do acelerador
- 2 para o pedal do travão
- 2 para o pedal da embraiagem

Ajustar o espaçamento dos três pedais

- Utilizando a chave sextavada de 2,5 mm (7) incluída, desaperte os dois parafusos que mantêm a cabeça do pedal de metal (11) e o respetivo suporte de plástico (10) na posição.
- Escolha a sua posição preferida (para a esquerda, centrados ou para a direita) e em seguida aperte novamente tudo em conjunto utilizando os parafusos.

Exemplos com o pedal do travão:



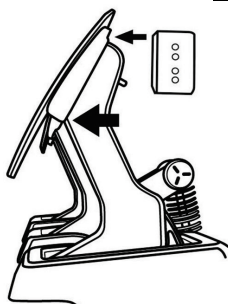
Número de posições de espaçamento diferentes por pedal:

- 3 para o pedal do acelerador
- 3 para o pedal do travão
- 3 para o pedal da embraiagem

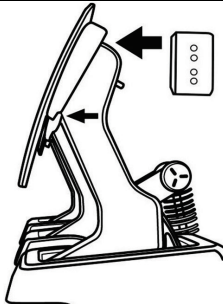
Ajustar a inclinação dos pedais

- Utilizando a chave sextavada de 2,5 mm (7) incluída, desaperte os dois parafusos que mantêm a cabeça do pedal de metal (11) e o respetivo suporte de plástico (10) na posição.
- Rode o suporte da cabeça do pedal de plástico (10) 180° (ou troque o pedal) e em seguida aperte novamente tudo em conjunto utilizando os parafusos.

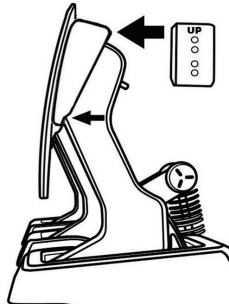
Exemplos com o pedal do acelerador:



Posição menos inclinada



Posição mais inclinada
(predefinição)



Posição vertical

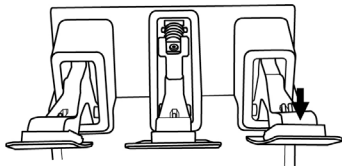
Número de posições de inclinação diferentes por pedal:

- 3 para o pedal do acelerador
- 3 para o pedal do travão
- 3 para o pedal da embraiagem

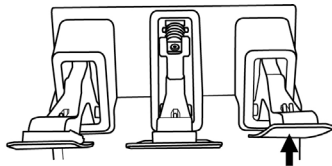
Ajustar o alinhamento dos pedais

- Instale o suporte da cabeça do pedal de plástico (10) para mover um pedal para a frente.
- Remova o suporte da cabeça do pedal de plástico (10) para mover um pedal para trás.

Exemplos com o pedal do acelerador:



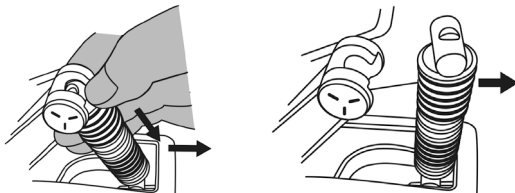
Posição avançada (predefinição)



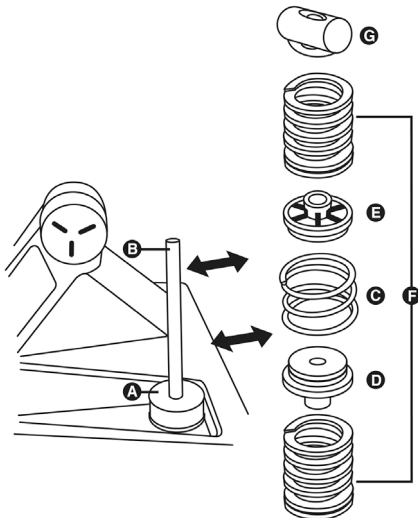
Posição recuada

Alterar a resistência do pedal do travão

- Desligue o conjunto de pedais do PC ou da consola de jogos e pressione firmemente para baixo a anilha da cabeça de retenção superior (**G**) (situada na parte posterior do pedal) e, em seguida puxe este componente para trás para removê-lo do braço de metal.



- Remova os diferentes elementos da haste de suporte (**B**).



A Sensor de força Load Cell

⚠ *Nunca removê-lo da haste de suporte!*

B Haste de suporte para a coluna de molas

C Mola de pré-esforço cromada central de 4 espirais

D Espaçador de borracha

E Espaçador de plástico

F Molas principais de 7 espirais
(F10, F15, F20, F30)

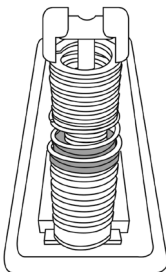
G Cabeça de retenção superior com anilha

Pode ajustar a resistência do pedal do travão recolocando ou misturando as molas F principais:

Cor da mola F	Resistência da mola
BRANCA (1 incluída)	F10
CINZENTA (1 incluída)	F15
PRETA (1 incluída)	F20
VERMELHA (2 incluídas)	F30

- Reposicione os diferentes elementos e as molas principais (**F10, F15, F20 ou F30**) à sua escolha (juntamente com os espaçadores adequados) na haste de suporte.

Exemplo	Resistência
1 mola F10 branca + 1 mola F15 cinzenta	Resistência fraca
1 mola F15 cinzenta + 1 mola F20 preta (predefinição)	Resistência média
2 molas F30 vermelhas	Resistência forte



Não hesite em misturar e testar as diferentes molas (é possível uma variedade de diferentes combinações) a fim de encontrar o nível de resistência que melhor se adequa a si.

Assim que tiver modificado a resistência, ligue o conjunto de pedais a um PC através do cabo USB amovível (1) e, em seguida, **realize uma nova calibragem do pedal do travão utilizando o software de calibragem**. Esta nova calibragem (que corresponde à nova resistência do pedal do travão) será guardada automaticamente na memória interna do conjunto de pedais e serão aplicadas em todos os seus jogos, tanto no PC como em consolas de jogos.

▲ MUITO IMPORTANTE ▲

A calibragem predefinida de fábrica do conjunto de pedais é realizada com uma mola F15 cinzenta e uma mola F20 preta (resistência média). Na eventualidade de alterar as molas (e, como tal, a resistência do pedal), tem de recalibrar o pedal do travão utilizando o software de calibragem no PC; se não o fizer, o pedal do travão não funcionará corretamente no PC ou em consolas de jogos.

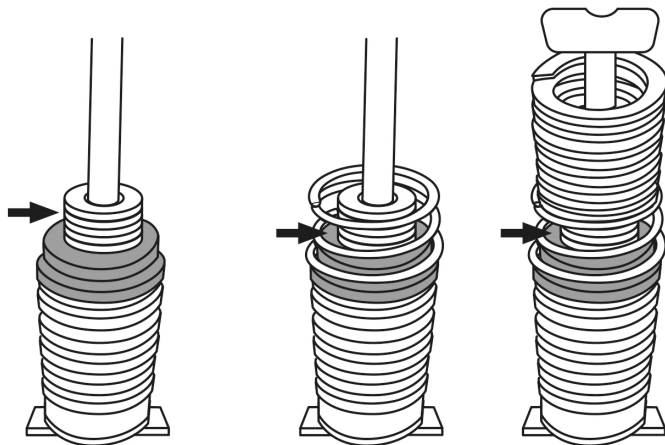
Diminuir ou eliminar o efeito de pré-esforço do pedal do travão

Para os utilizadores que preferem uma resistência de travagem mais linear, é igualmente possível diminuir ou eliminar o efeito de pré-esforço da mola de pré-esforço cromada central (C).

Para tal, deslize 1 a 5 anilhas chatas (8) para a haste de suporte, no meio da mola de pré-esforço cromada central (C).

Nota: Quanto mais anilhas chatas adicionar, maior será a redução do efeito de pré-esforço (ou será pura e simplesmente eliminado, na eventualidade de utilizar as 5 anilhas chatas).

Exemplo de eliminação do efeito de pré-esforço utilizando as 5 anilhas chatas:



Importante:

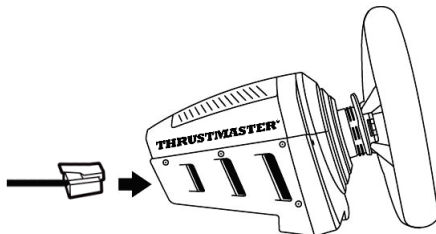
A adição destas anilhas chatas também reduzirá o curso mecânico do pedal do travão.

UTILIZAR O CONJUNTO DE PEDAIS COM UMA BASE DE VOLANTE THRUSTMASTER

= CABO RJ12 AMOVÍVEL (2) NECESSÁRIO

(Não ligue o cabo USB amovível (1) ao conjunto de pedais durante este tipo de utilização.)

COMPATIBILIDADE: PC E CONSOLAS DE JOGOS



⚠ MUITO IMPORTANTE ⚠

De modo a garantir o funcionamento ótimo do conjunto de pedais ligado diretamente a uma base de volante Thrustmaster (TS-PC Racer, T-GT, T300, T150, TS-XW, TX e TMX), atualize o firmware da base de volante para a versão mais recente disponível em <https://support.thrustmaster.com>. Com este novo firmware, poderá tirar o máximo partido do elevado nível de precisão do conjunto de pedais T-LCM Pedals e utilizar as suas definições pessoais, configuradas através do software de calibragem.

- Assim que o firmware da base de volante Thrustmaster tiver sido atualizado, ligue o conjunto de pedais à parte posterior da base de volante utilizando cabo RJ12 amovível (2).
- Ligue o volante ao seu PC ou consola de jogos.
- O LED MODE na base do volante pisca 5 vezes para indicar que o conjunto de pedais foi reconhecido corretamente, para um funcionamento ótimo.

No caso de o LED MODE não piscar conforme referido acima, isto indica que a base do volante não foi atualizada com o firmware mais recente disponível e que o conjunto de pedais não foi reconhecido como um conjunto de pedais T-LCM Pedals de alta precisão, mas antes como um conjunto de pedais padrão de tipo T3PA ou T3PA PRO.

ESTÁ AGORA PRONTO PARA JOGAR!

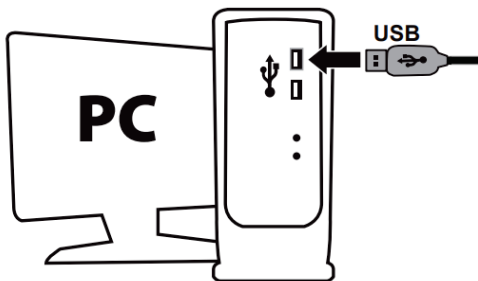
Nota: Nesta configuração, deve ser instalado um aro de volante Thrustmaster oficial na base do volante. Caso contrário, o conjunto de pedais não será reconhecido como um conjunto de pedais T-LCM Pedals de alta precisão.

UTILIZAR O CONJUNTO DE PEDAIS COM UM VOLANTE NÃO THRUSTMASTER

(IGUALMENTE POSSÍVEL COM UMA BASE DE VOLANTE THRUSTMASTER)

= CABO USB AMOVÍVEL (1) NECESSÁRIO

COMPATIBILIDADE: APENAS PC



- Ligue o conjunto de pedais a uma das portas USB do PC utilizando o cabo USB amovível (1) e conclua a instalação dos controladores.
- Quando a instalação dos controladores estiver concluída, clique em **Finish** e reinicie o computador.

ESTÁ AGORA PRONTO PARA JOGAR!

Notas para o PC quando o conjunto de pedais for ligado através do cabo USB:

- O conjunto de pedais é compatível com todos os volantes disponíveis no mercado em jogos que suportam a ligação multi-USB e conjuntos de pedais separados.
- Não se esqueça de fechar completamente a janela **Controladores de jogos** (clique em **OK**) e o software de calibragem do conjunto de pedais antes de iniciar o jogo.
- A versão do firmware do conjunto de pedais é indicada no canto inferior esquerdo do software de calibragem.

VISTA GERAL DE LIGAÇÃO DO CONJUNTO DE PEDAIS DE ACORDO COM O VOLANTE E A PLATAFORMA UTILIZADOS

	Ligação do conjunto de pedais
A CONSOLA DE JOGOS com VOLANTE THRUSTMASTER	Cabo RJ12 amovível (2)
Ao PC com VOLANTE THRUSTMASTER	Cabo RJ12 amovível (2) ou cabo USB amovível (1)
Ao PC com volante não Thrustmaster	Cabo USB amovível (1)

AVISO



Por motivos de segurança, nunca utilize o conjunto de pedais com os pés descalços ou apenas com as meias calçadas.

A THRUSTMASTER® REJEITA QUALQUER RESPONSABILIDADE EM CASO DE FERIMENTOS RESULTANTES DA UTILIZAÇÃO DO CONJUNTO DE PEDAIS SEM SAPATOS.



Aviso – Choque elétrico

- * Conserve o produto num local seco e não o exponha ao pó nem à luz solar.
- * Respeite as polaridades de ligação.
- * Não torça nem puxe os conectores e cabos.
- * Não derrame líquidos sobre o produto nem sobre os respetivos conectores.
- * Não provoque um curto-circuito do produto.
- * Nunca desmonte o produto (além de quaisquer ajustes referidos neste manual do utilizador). Não atire o produto para o fogo e não o exponha a altas temperaturas.



Aviso – Lesões resultantes de movimentos repetidos

Jogar com um conjunto de pedais pode causar dores nos músculos ou nas articulações. Para evitar quaisquer problemas:

- * Evite períodos de jogos demorados (faça pausas de 10 a 15 minutos após cada hora de jogo).
- * Se sentir fadiga ou dores nas pernas ou nos pés, pare de jogar e descanse durante algumas horas antes de voltar a jogar.
- * Se os sintomas ou as dores acima indicados persistirem quando voltar a jogar, pare de jogar e consulte o seu médico.



Aviso – Perigo de entalamento no conjunto de pedais durante as sessões de jogo

- * Mantenha o conjunto de pedais fora do alcance das crianças.
- * Durante as sessões de jogo, nunca coloque os dedos (ou outras partes do corpo) nos braços dos pedais ou perto dos mesmos.

NUNCA



SUGESTÕES E TRUQUES DIVERSOS (não incluídos neste manual)

Estão disponíveis sugestões e truques diversos em <https://support.thrustmaster.com>: clique em **Volantes / T-LCM Pedals**.

INFORMAÇÕES SOBRE A GARANTIA PARA O CONSUMIDOR

A Guillemot Corporation S.A., com sede social sita em Place du Granier, B.P. 97143, 35571 Chantepele, França (a seguir designada como "Guillemot") garante a nível mundial ao consumidor que este produto Thrustmaster está livre de defeitos em termos de materiais e fabrico durante um período de garantia que corresponde ao limite de tempo para intentar uma ação de conformidade relativamente a este produto. Nos países da União Europeia, isto corresponde a um período de dois (2) anos desde a entrega do produto Thrustmaster. Noutros países, o período de garantia corresponde ao limite de tempo para intentar uma ação de conformidade relativamente ao produto Thrustmaster de acordo com a legislação em vigor do país no qual o consumidor residia à data de compra do produto Thrustmaster (se a dita ação não existir no país correspondente, então o período de garantia será de um (1) ano a partir da data de compra original do produto Thrustmaster.

No caso de o produto apresentar algum defeito durante o período da garantia, contacte imediatamente o Suporte Técnico, que lhe indicará o procedimento a tomar. Se esse defeito se confirmar, o produto terá de ser devolvido ao respetivo local de compra (ou qualquer outro local indicado pelo Suporte Técnico).

No âmbito da presente garantia, e por opção do Suporte Técnico, o produto defeituoso do consumidor será substituído ou reparado. Se, durante o período da garantia, o produto Thrustmaster for submetido à dita reparação, qualquer período mínimo de (7) dias durante o qual o produto estiver fora de serviço será adicionado ao período da garantia restante (este período decorre desde a data do pedido intervenção pelo consumidor ou desde a data em que o produto em questão é disponibilizado para reparação, se a data em que o produto é disponibilizado para reparação for posterior à data do pedido de intervenção). Se for permitido pela legislação em vigor, a responsabilidade total da Guillemot e das respetivas filiais (incluindo para danos indiretos) está limitada à reparação ou à substituição do produto Thrustmaster. Se for permitido pela legislação em vigor, a Guillemot rejeita todas as garantias de comercialização ou adequação a um fim específico.

A presente garantia não se aplicará: (1) se o produto tiver sido modificado, aberto, alterado ou danificado em resultado de utilização inadequada ou abusiva, negligência, acidente, desgaste normal ou qualquer outra causa relacionada com um defeito de material ou fabrico (incluindo, mas sem limitação, combinar o produto Thrustmaster com qualquer elemento inadequado, incluindo, em particular, fontes de alimentação, baterias recarregáveis, carregadores ou quaisquer outros elementos não fornecidos pela Guillemot para este produto); (2) se o produto tiver sido utilizado fora do âmbito da utilização doméstica, incluindo para fins profissionais ou comerciais (salas de jogos, treino e competições, por exemplo); (3) na eventualidade de incumprimento das instruções fornecidas pelo Suporte Técnico; (4) a software, estando o mesmo sujeito a uma garantia específica; (5) a consumíveis (elementos para substituir ao longo da vida útil do produto: baterias descartáveis, auscultadores de áudio ou auriculares de auscultadores, por exemplo); (6) a acessórios (cabos, estojos, bolsas, sacos e correias de pulso, por exemplo); (7) se o produto foi vendido num leilão público.

A presente garantia não é transmissível.

Os direitos legais do consumidor no que concerne à legislação aplicável à venda de bens de consumo no seu país não são afetados pela presente garantia.

Disposições de garantia adicionais

Durante o período da garantia, a Guillemot não fornecerá, em princípio, quaisquer peças de substituição, uma vez que o Suporte Técnico é a única parte autorizada a abrir e/ou reparar qualquer produto Thrustmaster (à exceção de quaisquer procedimentos de reparação que o Suporte Técnico possa pedir ao consumidor para realizar, através de instruções por escrito – por exemplo, devido à simplicidade e à falta de confidencialidade do processo de reparação – e fornecendo ao consumidor a(s) peça(s) de substituição necessária(s), quando aplicável).

Tendo em conta os seus ciclos de inovação, e a fim de proteger o seu know-how e segredos comerciais, a Guillemot não fornecerá, em princípio, qualquer notificação de reparação ou peças de substituição para produtos Thrustmaster cujo período da garantia tenha expirado.

Responsabilidade

Se for permitido ao abrigo da legislação aplicável, a Guillemot Corporation S.A. (a seguir designada "Guillemot") e as respetivas filiais rejeitam qualquer responsabilidade por danos resultantes de uma ou mais das seguintes causas: (1) o produto foi modificado, aberto ou alterado; (2) incumprimento das instruções de montagem; (3) utilização inadequada ou abusiva, negligência ou acidente (um impacto, por exemplo); (4) desgaste normal; (5) utilização do produto fora do âmbito além da utilização doméstica, incluindo para fins profissionais ou comerciais (salas de jogos, treino e competições, por exemplo). Se for permitido ao abrigo da legislação aplicável, a Guillemot e as respetivas filiais rejeitam qualquer responsabilidade por danos relacionados com um defeito de material ou fabrico relativamente ao produto (incluindo, mas sem limitação, quaisquer danos causados direta ou indiretamente por qualquer software ou por combinar o produto Thrustmaster com qualquer elemento inadequado, incluindo, em particular, fontes de alimentação, baterias recarregáveis, carregadores ou quaisquer outros elementos não fornecidos pela Guillemot para este produto).

THRUSTMASTER®

SUPOORTE TÉCNICO

<https://support.thrustmaster.com>



DIREITOS DE AUTOR

© 2019 Guillemot Corporation S.A. Todos os direitos reservados. Thrustmaster® é uma marca registada da Guillemot Corporation S.A. PlayStation® é uma marca registada da Sony Interactive Entertainment Inc. Windows® é uma marca registada da Microsoft Corporation nos Estados Unidos e/ou noutros países. Todas as outras marcas comerciais e nomes de marcas são por este meio reconhecidas e pertencem aos respetivos proprietários. As ilustrações não são vinculativas. Os conteúdos, os desenhos e as especificações estão sujeitos a alteração sem aviso prévio e podem variar consoante o país. Fabricado na China.

RECOMENDAÇÕES DE PROTECÇÃO AMBIENTAL



* Na União Europeia: Quando este produto chegar ao fim da sua vida útil, não o elimine juntamente com os resíduos domésticos normais; em vez disso, deixe-o num ponto de recolha de resíduos de equipamento eléctrico e electrónico (REEE) para posterior reciclagem.

O símbolo presente no produto, no manual de utilizador ou na caixa confirma-o.

Os materiais podem ser reciclados, dependendo das suas características. Através da reciclagem e de outras formas de processamento de resíduos de equipamento eléctrico e electrónico, pode dar um importante contributo no sentido de ajudar a proteger o ambiente.

Contacte as autoridades locais para saber onde fica o ponto de recolha mais perto da sua área de residência.

Relativamente a todos os outros países: Respeite a legislação local sobre a reciclagem de equipamento eléctrico e electrónico.

Informações a reter. As cores e as decorações podem variar.

Os fechos e os adesivos devem ser removidos do produto antes da utilização.

www.thrustmaster.com

**Aplicável apenas à União Europeia e Turquia*



T-*LCM* PEDALS

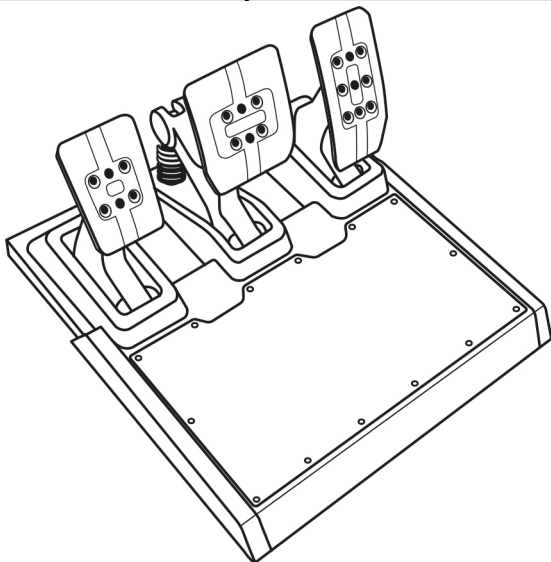
LOAD CELL & MAGNETICS

PC – PlayStation®4 – Xbox One®

Руководство пользователя

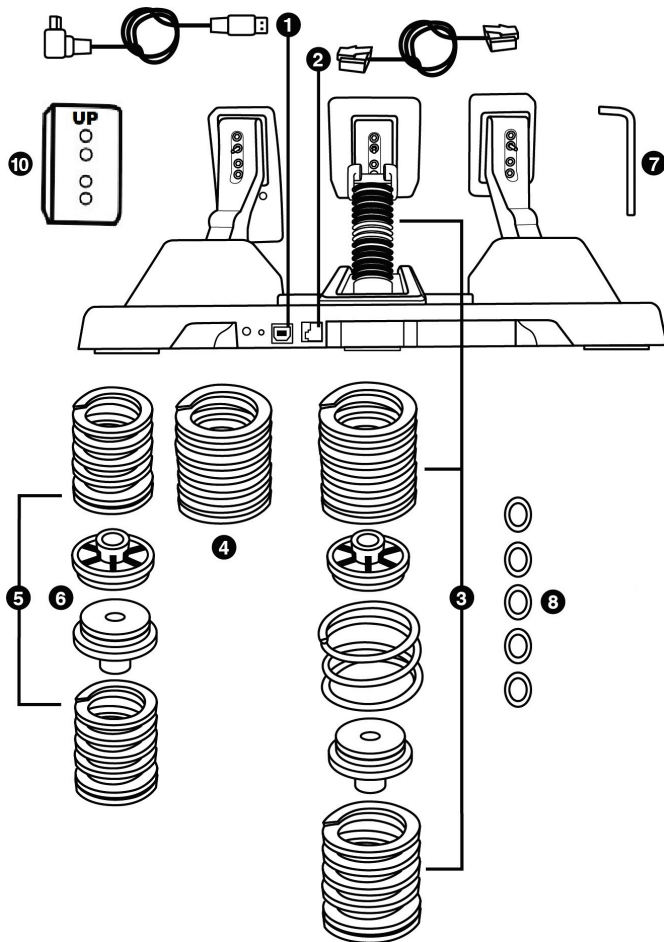


Перед использованием данного изделия внимательно прочитайте настоящее руководство пользователя и сохраните его для последующего использования.



ТЕХНИЧЕСКИЕ ХАРАКТЕРИСТИКИ

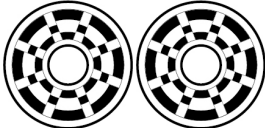

Общий обзор



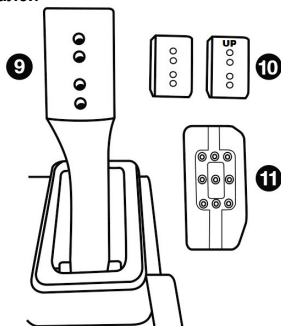
- 1 Съёмный USB-кабель; USB-разъём на задней панели комплекта педалей
- 2 Съёмный кабель RJ12; разъем RJ12 на задней панели комплекта педалей
- 3 Среднее сопротивление, предустановленное по умолчанию
(1 черная пружина F20 + 1 серая пружина F15)
(+1 центральная хромированная пружина предварительного натяжения)
(+ 2 прокладки без маркировки)
- 4 1 белая пружина F10
- 5 2 красных пружины F30
- 6 2 прокладки с красной маркировкой (специально предназначенные для использования с красными пружинами F30)
- 7 Шестигранный ключ 2,5 мм
- 8 5 плоских шайб (для снижения или устранения предварительного натяжения центральной хромированной пружины)
- 10 Пластиковая опора головки педали для вертикального наклона педалей

Прокладки

В комплект входит 2 типа прокладок. В зависимости от выбранного типа пружины важно использовать прокладку соответствующего типа.

	<p>Прокладки без цветовой маркировки <i>(и с канавками)</i></p> <p>Для использования со следующими пружинами: Белая F10 Серая F15 Черная F20</p>
	<p>Прокладки с красной маркировкой <i>(и без канавок)</i></p> <p>Специально предназначенные для использования со следующими пружинами: Красная F30</p>

Рычаги и головки педалей



- 9 Металлический рычаг педали с 4 отверстиями
- 10 Пластиковая опора головки педали (устанавливается между головкой и рычагом педали) с 4 отверстиями
- 11 Металлические головки педалей (с разным количеством отверстий: (9 для педали акселератора; 6 для педали тормоза; 6 для педали сцепления)

▲ ВАЖНАЯ ИНФОРМАЦИЯ ▲

Эту процедуру необходимо выполнять при изменении сопротивления педали тормоза.

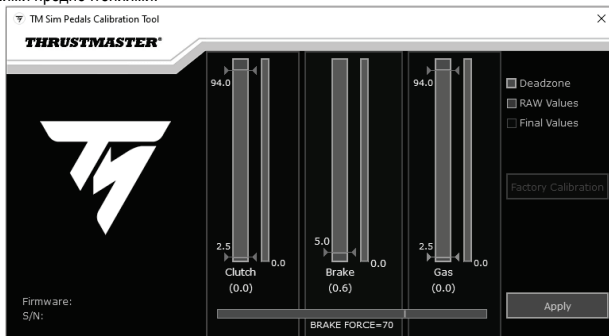
Подключите комплект педалей к компьютеру с помощью съемного кабеля USB (1).

Во время этой процедуры съемный кабель RJ12 (2) не должен быть подключен к комплекту педалей.

Посетите сайт <https://support.thrustmaster.com>. Нажмите **Racing Wheels (Гончные автомобили)** / **T-LCM Pedals**, затем выберите **Software (Программное обеспечение)**.

Загрузите и установите программное обеспечение для калибровки:

- Для настройки мертвых зон в начале диапазона движения на всех трех педалях в соответствии с вашими предпочтениями.
- Для настройки мертвых зон в конце диапазона движения на педали акселератора и педали сцепления в соответствии с вашими предпочтениями.
- Для настройки электронной силы (Brake Force) на педали тормоза в соответствии с вашими предпочтениями.



После должной настройки различных параметров нажмите APPLY и отсоедините съемный кабель USB (1). Настройки сохраняются во внутренней памяти комплекта педалей: они будут применены во всех ваших играх, на ПК и игровых приставках.

ОБНОВЛЕНИЕ ВСТРОЕННОГО ПО КОМПЛЕКТА ПЕДАЛЕЙ

Для обновления встроенного ПО необходимо подключить комплект педалей к компьютеру через съемный USB-кабель (1).

Встроенное ПО, входящее в комплект педалей, можно обновить за счет более поздних версий, что позволит улучшить качество продукта.

Версия микропрограммного обеспечения отображается в нижнем левом углу программы калибровки.

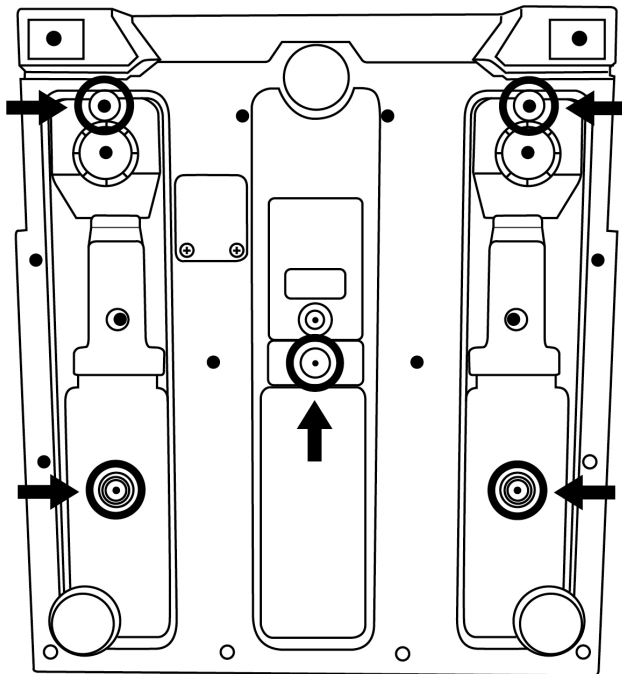
Для обновления встроенного ПО комплекта педалей: на ПК зайдите на сайт <https://support.thrustmaster.com>, нажмите **Racing Wheels (Гончные автомобили)** / **T-LCM Pedals**, выберите **Firmware (Встроенное ПО)** и следуйте инструкциям по загрузке и установке.

КРЕПЛЕНИЕ КОМПЛЕКТА ПЕДАЛЕЙ К ОПОРЕ ИЛИ КОКПИТУ

Комплект педалей может крепиться к различным совместимым опорам (продаются отдельно) с помощью пяти винтов типа М6, расположенных под основанием. Для этого вверните по крайней мере два винта М6 (не входят в комплект поставки) в резьбовые отверстия на нижней стороне комплекта педалей, пропустив их через пластину опоры.



Важно: длина винтов М6 не должна превышать толщину опоры более чем на 0,47 дюйма/12 мм, чтобы не повредить внутренние компоненты комплекта педалей.



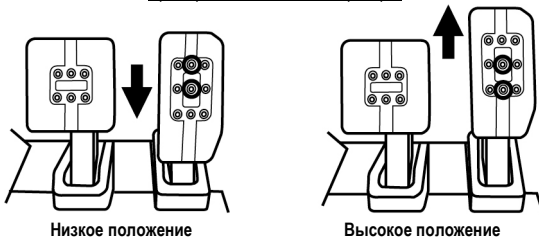
Схемы установки комплекта педалей для кокпитов и других опор находятся по адресу <https://support.thrustmaster.com>: нажмите Racing Wheels (Гоночные автомобили) / T-LCM Pedals, а затем Template - Cockpit setup (Шаблон - Настройка кокпита).

МЕХАНИЧЕСКАЯ НАСТРОЙКА КОМПЛЕКТА ПЕДАЛЕЙ

Регулировка высоты педалей

- Шестигранным ключом 2,5 мм (7), входящим в комплект поставки, открутите два винта, с помощью которых крепится металлическая головка педали (11) и ее пластиковая опора (10).
- Выберите удобную для себя высоту и снова закрепите все вместе с помощью винтов.

Примеры с педалью акселератора:



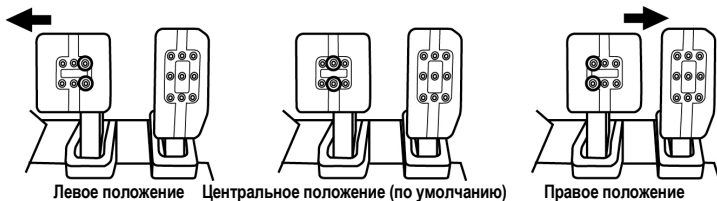
Количество различных положений по высоте для педали:

- 3 для педали акселератора
- 2 для педали тормоза
- 2 для педали сцепления

Регулировка расстояния между тремя педалями

- Шестигранным ключом 2,5 мм (7), входящим в комплект поставки, открутите два винта, с помощью которых крепится металлическая головка педали (11) и ее пластиковая опора (10).
- Выберите удобное для себя положение (влево, по центру или вправо) и снова закрепите все вместе с помощью винтов.

Примеры с педалью тормоза:



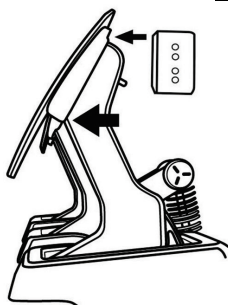
Количество различных положений по расстоянию для педали:

- 3 для педали акселератора
- 3 для педали тормоза
- 3 для педали сцепления

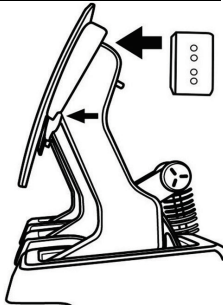
Регулировка наклона педалей

- Шестигранным ключом 2,5 мм (7), входящим в комплект поставки, открутите два винта, с помощью которых крепится металлическая головка педали (11) и ее пластиковая опора (10).
- Поверните пластиковую опору головки педали (10) на 180° (или замените ее), и снова закрепите все вместе с помощью винтов.

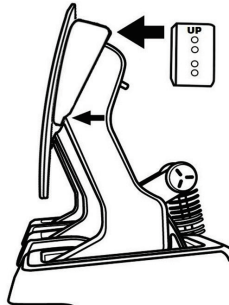
Примеры с педалью акселератора:



Менее наклонное положение



Более наклонное положение
(по умолчанию)



Вертикальное положение

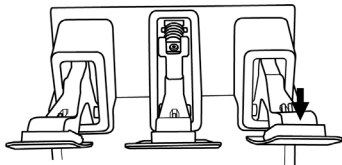
Количество различных положений по наклону для педали:

- 3 для педали акселератора
- 3 для педали тормоза
- 3 для педали сцепления

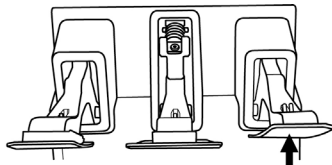
Регулировка выравнивания педалей

- Установите пластиковую опору головки педали (10), чтобы переместить педаль вперед.
- Снимите пластиковую опору головки педали (10), чтобы переместить педаль назад.

Примеры с педалью акселератора:



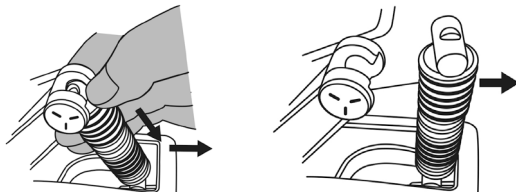
Переднее положение (по умолчанию)



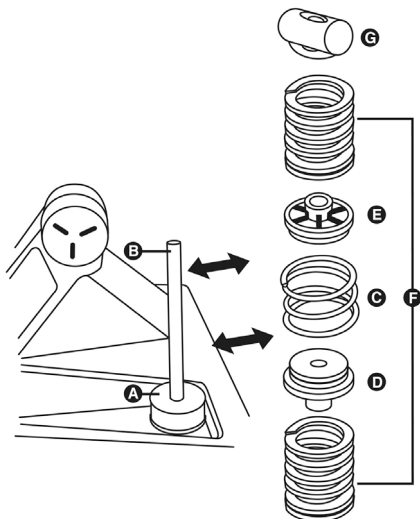
Заднее положение

Изменение сопротивления педали тормоза

- Отсоедините комплект педалей от ПК или игровой приставки и сильно нажмите на шайбу верхней удерживающей головки (G) (расположенной в задней части педали), а затем потяните этот компонент назад, чтобы освободить его от металлического рычага.



- Снимите различные элементы с крепежного стержня (B).



A Силовой датчик Load Cell

⚠ Никогда не снимайте его с крепежного стержня!

B Крепежный стержень для пружин

C Центральная 4-спиральная хромованная пружина предварительного натяжения

D Резиновая прокладка

E Пластиковая прокладка

F Главные 7-спиральные пружины (F10, F15, F20, F30)

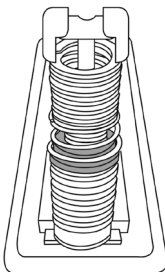
G Верхняя удерживающая головка с шайбой

Сопротивление педали тормоза можно регулировать путем замены или смешивания основных пружин F:

Цвет пружины F	Сопротивление пружины
БЕЛЫЙ (1 в комплекте)	F10
СЕРЫЙ (1 в комплекте)	F15
ЧЕРНЫЙ (1 в комплекте)	F20
КРАСНЫЙ (2 в комплекте)	F30

- Измените положение различных элементов и основных пружин (F10, F15, F20 or F30) по вашему выбору (вместе с соответствующими прокладками) на крепежном стержне.

Пример	Сопротивление
1 белая пружина F10 + 1 серая пружина F15	Слабое сопротивление
1 серая пружина F15 + 1 черная пружина F20 (установлено по умолчанию)	Среднее сопротивление
2 красные пружины F30	Сильное сопротивление



Пробуйте смешивать и тестировать различные пружины (возможно множество различных комбинаций), чтобы найти наиболее подходящий для вас уровень сопротивления.

После того как вы изменили сопротивление, подключите комплект педалей к ПК с помощью съемного кабеля USB (1), и **выполните новую калибровку педали тормоза с использованием калибровочного ПО**. Эта новая калибровка (соответствующая новому сопротивлению педали тормоза) будет автоматически сохранена во внутренней памяти комплекта педалей и будет действовать во всех ваших играх на ПК и игровых приставках.

▲ ВАЖНАЯ ИНФОРМАЦИЯ ▲

Заводская калибровка комплекта педалей по умолчанию выполняется с помощью одной серой пружины F15 и одной черной пружины F20 (среднее сопротивление). В случае замены пружин (и, следовательно, сопротивления педали тормоза) необходимо выполнить повторную калибровку педали тормоза с помощью калибровочного программного обеспечения на ПК: Если этого не сделать, педаль тормоза не будет работать должным образом на ПК или игровых приставках.

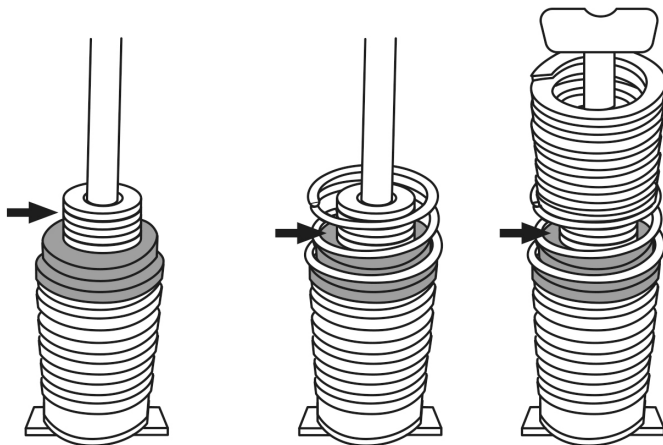
Уменьшение или устранение предварительного напряжения педали тормоза

Для пользователей, предпочитающих более линейное тормозное сопротивление, можно также уменьшить или устранить эффект предварительного напряжения центральной хромированной пружины (С).

Для этого установите от 1 до 5 плоских шайб (8) на крепежный стержень посередине центральной хромированной пружины предварительного напряжения (С).

Обратите внимание: чем больше будет добавлено плоских шайб, тем меньшим будет эффект предварительного напряжения (*при добавлении всех 5 плоских шайб он будет полностью устранен*).

Пример устранения эффекта предварительного напряжения с использованием всех 5 плоских шайб:



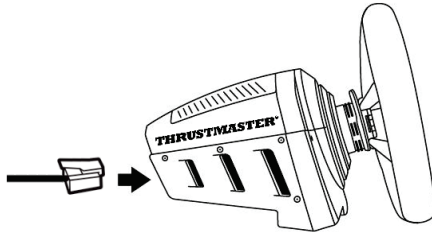
Важная информация.

Добавление этих плоских шайб также приведет к уменьшению механического хода педали тормоза.

ИСПОЛЬЗОВАНИЕ КОМПЛЕКТА ПЕДАЛЕЙ С ОСНОВАНИЕМ ГОНОЧНОГО РУЛЕВОГО КОЛЕСА THRUSTMASTER = ТРЕБУЕТСЯ СЪЕМНЫЙ КАБЕЛЬ RJ12 (2)

(Во время этой процедуры съемный кабель USB (1) не должен быть подключен к комплекту педалей.)

СОВМЕСТИМОСТЬ: ПК И ИГРОВЫЕ ПРИСТАВКИ



▲ ВАЖНАЯ ИНФОРМАЦИЯ ▲

Для обеспечения оптимальной работы комплекта педалей, подключенного непосредственно к основанию гоночного рулевого колеса Thrustmaster (TS-PC Racer, T-GT, T300, T150, TS-XW, TX и TМХ), необходимо обновить встроенное ПО основания гоночного рулевого колеса до последней версии, доступной по адресу <https://support.thrustmaster.com>. Это новое микропрограммное обеспечение позволит вам получить максимальную отдачу от использования комплекта педалей T-LCM Pedals с высокой точностью и использовать персональные настройки, сделанные с помощью программного обеспечения для калибровки.

- После обновления встроенного ПО основания гоночного рулевого колеса Thrustmaster подключите комплект педалей к задней части основания с помощью съемного кабеля RJ12 (2).
- Подключите гоночное рулевое колесо к ПК или игровой приставке.
- Светодиодный индикатор **MODE** на основании гоночного рулевого колеса мигает 5 раз, указывая на то, что комплект педалей распознан для оптимального функционирования.

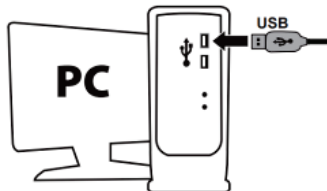
Если индикатор **MODE** не мигает, как указано выше, это означает, что встроенное ПО основания гоночного рулевого колеса не было обновлено до последней версии и комплект педалей распознается не как высокоточный комплект **T-LCM Pedals**, а как стандартный **T3PA** или **T3PA PRO**.

ТЕПЕРЬ ВЫ ГОТОВЫ К ИГРЕ!

Обратите внимание: В этой конфигурации на основание гоночного рулевого колеса должно быть установлено официальное рулевое колесо Thrustmaster. В противном случае комплект педалей не будет распознан как высокоточный комплект **T-LCM Pedals**.

**ИСПОЛЬЗОВАНИЕ КОМПЛЕКТА ПЕДАЛЕЙ С ГОНОЧНЫМ РУЛЕВЫМ КОЛЕСОМ, ОТЛИЧНЫМ ОТ THRUSTMASTER
(ТАКЖЕ ВОЗМОЖНО НА БАЗЕ ГОНОЧНОГО РУЛЕВОГО КОЛЕСА THRUSTMASTER)
= ТРЕБУЕТСЯ СЪЕМНЫЙ USB-КАБЕЛЬ (1)**

СОВМЕСТИМОСТЬ: ТОЛЬКО ПК



- Подключите комплект педалей к одному из USB-портов компьютера с помощью съемного USB-кабеля (1) и выполните установку драйверов.
- Когда установка драйверов будет завершена, нажмите **Finish (Завершить)** и перезагрузите компьютер.

ТЕПЕРЬ ВЫ ГОТОВЫ К ИГРЕ!

Примечания для ПК, когда комплект педалей подключен с помощью кабеля USB:

- Комплект педалей совместим со всеми представленными на рынке гоночными рулевыми колесами в играх, поддерживающих соединение мульти-USB и отдельные комплекты педалей.
- Прежде чем начинать игру, полностью закройте окно **Игровые устройства** (нажав кнопку **OK**), а также калибровочное ПО для комплекта педалей.
- Версия встроенного ПО комплекта педалей отображается в нижнем левом углу калибровочного ПО.

ОБЗОРНЫЕ СВЕДЕНИЯ О ПОДКЛЮЧЕНИИ КОМПЛЕКТА ПЕДАЛЕЙ, В ЗАВИСИМОСТИ ОТ РУЛЕВОГО КОЛЕСА И ИСПОЛЬЗУЕМОЙ ПЛАТФОРМЫ

	Подключение комплекта педалей
На ИГРОВОЙ ПРИСТАВКЕ с РУЛЕВЫМ КОЛЕСОМ THRUSTMASTER	Съемный кабель RJ12 (2)
На ПК с РУЛЕВЫМ КОЛЕСОМ THRUSTMASTER	Съемный кабель RJ12 (2) или Съемный кабель USB (1)
На ПК с рулевым колесом, отличным от Thrustmaster	Съемный кабель USB (1)

ПРЕДУПРЕЖДЕНИЕ



Из соображений безопасности никогда не пользуйтесь комплектом педалей с босыми ногами или в одних носках.

THRUSTMASTER® СНИМАЕТ С СЕБЯ ВСЯКУЮ ОТВЕТСТВЕННОСТЬ В СЛУЧАЕ ТРАВМЫ, ПОЛУЧЕННОЙ В РЕЗУЛЬТАТЕ ИСПОЛЬЗОВАНИЯ КОМПЛЕКТА ПЕДАЛЕЙ БЕЗ ОБУВИ.



Предупреждение: опасность поражения электрическим током

- * Храните изделие в сухом месте и не подвергайте его воздействию пыли или солнечного света.
- * Соблюдайте полярность подключения.
- * Не перекручивайте разъемы и кабели и не тяните за них.
- * Не проливайте жидкость на изделие или его разъемы.
- * Не допускайте короткого замыкания в изделии.
- * Никогда не разбирайте изделие (за исключением регулировок, описанных в данном руководстве пользователя). Не бросайте его в огонь и не подвергайте воздействию высоких температур.



Предупреждение — травмы, полученные в результате повторяющихся движений

Игра с комплектом педалей может вызвать боль в мышцах или суставах. Чтобы избежать проблем:

- * Избегайте длительных игровых периодов (после каждого часа игры делайте перерывы от 10 до 15 минут).
- * Если вы почувствуете усталость или боль в ногах или стопах, прекратите играть и отдохните несколько часов, прежде чем начать играть снова.
- * Если симптомы или боль, указанные выше, сохранятся при возобновлении игры, прекратите играть и обратитесь к врачу.



Предупреждение — опасность защемления при игре с комплектом педалей

- * Храните комплект педалей в недоступном для детей месте.
- * Во время игры никогда не кладите пальцы (или другие части тела) на педали или рядом с ними.

НИКОГДА



ПОЛЕЗНЫЕ СОВЕТЫ (не включены в данное руководство)

Различные полезные советы доступны по адресу <https://support.thrustmaster.com>: нажмите Racing Wheels (Гоночные автомобили) / T-LCM Pedals.

Сведения о потребительской гарантии

Корпорация Guillemot Corporation S.A., зарегистрированная по адресу Place du Granier, B.P. 97143, 35571 Chantepie, Франция, (далее — «Guillemot») гарантирует своим клиентам во всем мире, что в данном изделии Thrustmaster не будет выявлено никаких дефектов материалов и производства в течение гарантийного периода, который равен сроку предъявления претензии по соответствию для данного изделия. В странах Европейского Союза этот срок соответствует двум (2) годам с момента поставки изделия Thrustmaster. В других странах гарантийный период равен сроку предъявления претензии по соответствию для изделия Thrustmaster, определяемому соответствующим законодательством страны, в которой проживал потребитель на момент приобретения изделия Thrustmaster (если подобные претензии не действуют в соответствующей стране, гарантийный период равняется одному (1) году с первоначальной даты приобретения изделия Thrustmaster).

В случае обнаружения дефектов изделия во время гарантийного периода незамедлительно обратитесь в службу технической поддержки, сотрудники которой определят дальнейшую процедуру. Если дефект будет подтвержден, изделие следует вернуть по месту приобретения (или в любое другое место, указанное службой технической поддержки).

В рамках действия гарантии дефектное изделие будет, по усмотрению службы технической поддержки, заменено или возвращено в рабочее состояние. Если в течение гарантийного срока изделие Thrustmaster будет подвержено такому восстановлению, к оставшемуся гарантийному сроку прибавляется период времени, но не менее семи (7) дней, во время которого изделие находилось вне употребления (началом этого периода считается дата запроса покупателя о вмешательстве или дата предоставления дефектного изделия для восстановления, если изделие было предоставлено для восстановления позднее, чем был сделан запрос о вмешательстве). В мере, разрешенной применимым законодательством, полная ответственность компании Guillemot и ее дочерних компаний (в том числе косвенный ущерб) ограничивается восстановлением рабочего состояния или заменой изделия Thrustmaster. В мере, разрешенной применимым законодательством, компания Guillemot отказывается от любых гарантий коммерческой пригодности или пригодности для определенной цели.

Настоящая гарантия не распространяется: (1) на ситуации, когда изделие было видоизменено, открыто, модифицировано или получило повреждения в результате недопустимого или неправильного использования, небрежности или несчастного случая, естественного износа или любой другой причины, не связанной с дефектом материалов или производства (включая, помимо прочего, использование изделия Thrustmaster совместно с любыми неподходящими элементами, в частности — с блоками питания, аккумуляторами, зарядными устройствами и любыми другими элементами, не входящими в комплектацию Guillemot для данного изделия); (2) на случаи использования продукта в любых целях, кроме бытовых, в том числе на случаи профессионального или коммерческого применения (например, в игровых залах, для проведение обучения и соревнований); (3) на ситуации, когда указания службы технической поддержки не были выполнены; (4) на ПО, так как на такое ПО распространяется отдельная гарантия; (5) на расходные материалы (элементы, предназначенные для замены в течение срока службы изделия: например, батарейки и ушные подушки для гарнитур или наушников); (6) на аксессуары (например, кабели, чехлы, сумки, футляры, наручные ремешки); (7) на случаи продажи изделия с открытого аукциона.

Данная гарантия не подлежит передаче.

Настоящая гарантия не ущемляет прав потребителя, предоставляемых ему применимыми законами в отношении продажи потребительских товаров в соответствующей стране.

Дополнительные условия гарантии

В течение гарантийного срока компания Guillemot, в общем и целом, не предоставляет никаких запасных частей, так как вскрытие и/или модификацию любых изделий Thrustmaster вправе осуществлять только служба технической поддержки (за исключением каких-либо процедур по модификации, которые служба технической поддержки может предложить выполнить клиенту путем письменных инструкций и предоставления, при необходимости, требуемых запасных частей: например, в связи с отсутствием статуса сложности или конфиденциальности у такой восстановительной процедуры).

С учетом периода освоения новых изделий и в целях защиты своих ноу-хау и коммерческих тайн компания Guillemot, в общем и целом, не предоставляет каких-либо уведомлений о восстановлении или запасных частей для любых изделий Thrustmaster с истекшим гарантийным сроком.

Ответственность

В мере, разрешенной применимым законодательством, компания Guillemot Corporation S.A. (далее — «Guillemot») и ее дочерние предприятия отказываются от любой ответственности за любой ущерб, вызванный одним или несколькими из следующих факторов: (1) видоизменение, вскрытие или модификация изделия; (2) несоблюдение инструкций по сборке; (3) недопустимое или неправильное использование, небрежность, несчастный случай (например, физическое воздействие); (4) естественный износ; (5) использование продукта в любых целях, кроме бытовых, в том числе профессиональное или коммерческое применение (например, в игровых залах, для проведение обучения и соревнований). В мере, разрешенной применимым законодательством, компания Guillemot и ее дочерние предприятия отказываются от любой ответственности за любой ущерб, не связанный с дефектами материалов или изготовления, в отношении данного изделия (включая, помимо прочего, любой ущерб, вызванный прямо или опосредованно любым программным обеспечением или использованием изделия Thrustmaster с любыми неподходящими элементами, в частности — блоками питания, аккумуляторами, зарядными устройствами и любыми другими элементами, не входящими в комплектацию Guillemot для данного изделия).

THRUSTMASTER®

ТЕХНИЧЕСКОЙ ПОДДЕРЖКИ

<https://support.thrustmaster.com>



АВТОРСКИЕ ПРАВА

© Корпорация 2019 Guillemot Corporation S.A. Все права защищены. Thrustmaster® является зарегистрированной торговой маркой корпорации Guillemot Corporation S.A. PlayStation® является зарегистрированной торговой маркой корпорации Sony Interactive Entertainment Inc. Windows® является зарегистрированной торговой маркой корпорации Microsoft Corporation в США и/или других странах. Все остальные товарные знаки и названия брендов являются собственностью соответствующих владельцев. Иллюстрации могут не соответствовать внешнему виду/функциям конкретного изделия. Содержание, конструкция и технические характеристики изделия могут быть изменены без предварительного уведомления и зависят от страны приобретения. Сделано в Китае.

При использовании изделием учитывайте следующее: цвета и дизайн могут различаться. Пластиковые стяжки и клейкую ленту следует снять перед использованием изделия.

www.thrustmaster.com



T-LCM PEDALS

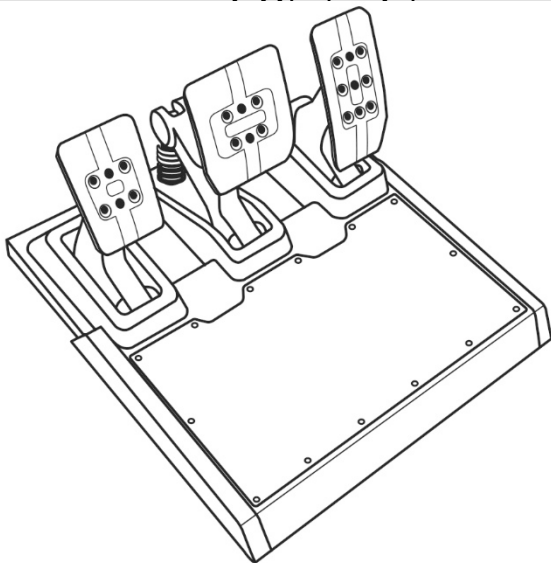
LOAD CELL & MAGNETICS

PC – PlayStation®4 – Xbox One®

Uživatelský manuál

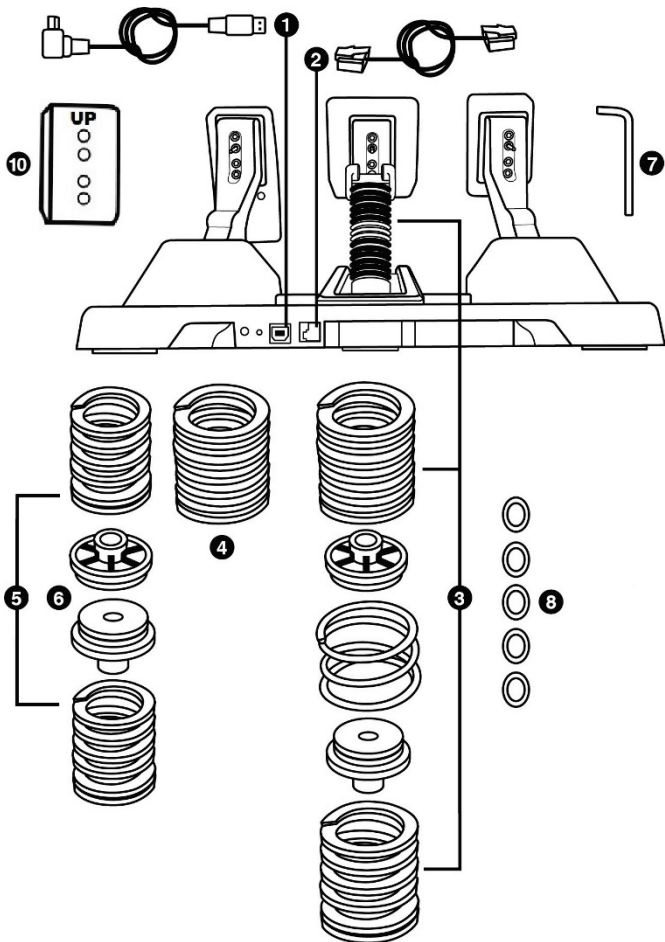


Před použitím tohoto výrobku si prosím důkladně přečtete tento manuál a uschovejte jej pro pozdější použití.



TECHNICKÉ PARAMETRY

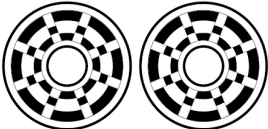

Obecný přehled



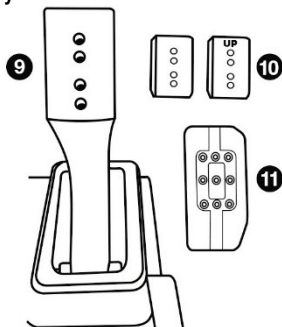
- 1 Odnímatelný USB kabel; USB konektor na zadní straně pedálové sady
- 2 Odnímatelný RJ12 kabel; RJ12 konektor na zadní straně pedálové sady
- 3 Střední odpor, výchozí nastavení (1 černá F20 pružina + 1 šedá F15 pružina) (+ 1 centrální pochromovaná předpinací pružina) (+ 2 rozpěrky bez označení)
- 4 1 bílá F10 pružina
- 5 2 červené F30 pružiny
- 6 2 rozpěrky s červeným označením (navrženy speciálně pro použití s červenými F30 pružinami)
- 7 2.5 mm imbusový klíč
- 8 5 plochých podložek (pro snížení nebo eliminaci předpinání středové pochromované pružiny)
- 10 Podpěrka hlavy plastového pedálu pro naklonění pedálu

Rozpěrky

Obsaženy jsou 2 typy rozperek. Je důležité použít správný typ rozpěrky v závislosti na vybraném typu pružiny.

	<p><u>Rozpěrky bez červeného označení (a s drážkami)</u></p> <p>Pro použití s těmito pružinami: Bílá F10 Šedá F15 Černá F20</p>
	<p><u>Rozpěrky s červeným označením (a bez drážek)</u></p> <p>Navrženy speciálně pro použití s těmito pružinami: Červená F30</p>

Pedálová ramena a hlavy



- 9 Kovové pedálové rameno se 4 otvory
- 10 Plastová podpěrka pedálové hlavy (k umístění mezi pedálovou hlavou a ramenem) se 4 otvory

- 11 Kovová pedálová hlava (s různým počtem otvorů: 9 pro plynový pedál; 6 pro brzdomový pedál; 6 pro spojkový pedál)

KALIBRAČNÍ SOFTWARE

▲ VELMI DŮLEŽITÉ ▲

Tento postup musí být dodržen při měnění odporu u brzdového pedálu.

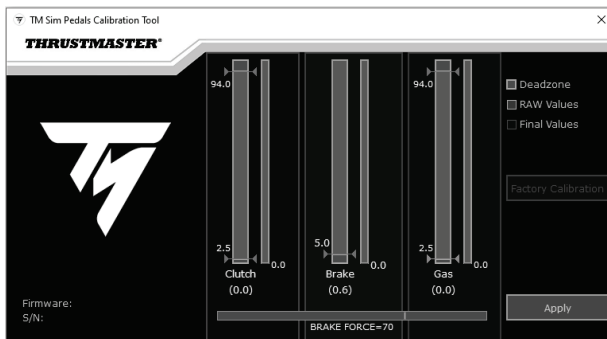
Připojte pedálovou sadu k PC za použití odnímatelného USB kabelu (1).

Odnímatelný kabel RJ12 (2) nesmí být připojen k pedálové sadě během tohoto postupu.

Navštivte <https://support.thrustmaster.com>. Zvolte Racing Wheels “Závodní volanty” / T-LCM Pedals, poté zvolte Software “Software”.

Stáhněte a nainstalujte kalibrační software:

- Pro nastavení mrtvých zón na začátku škály pohybu u všech tří pedálů dle vašich představ.
- Pro nastavení mrtvých zón na začátku škály pohybu u plynového pedálu dle vašich představ.
- Pro nastavení elektronické síly (Brake Force) u brzdového pedálu dle vašich představ.



Jakmile bylo různé nastavení řádně nakonfigurováno, zvolte **APPLY** a poté odpojte odnímatelný USB kabel (1). Nastavení jsou uložena ve vnitřní paměti pedálové sady: budou účinná u všech vašich her, na PC a herních konzolích.

AKTUALIZACE FIRMWARU PEDÁLOVÉ SADY

Pro aktualizaci firmwaru musí být pedálová sada připojena k PC odnímatelným USB kabelem (1).

Firmware obsažený v pedálové sadě může být aktualizován novějšími verzemi pro vylepšení výrobku. Verze firmwaru je zobrazena v levém spodním rohu kalibračního softwaru.

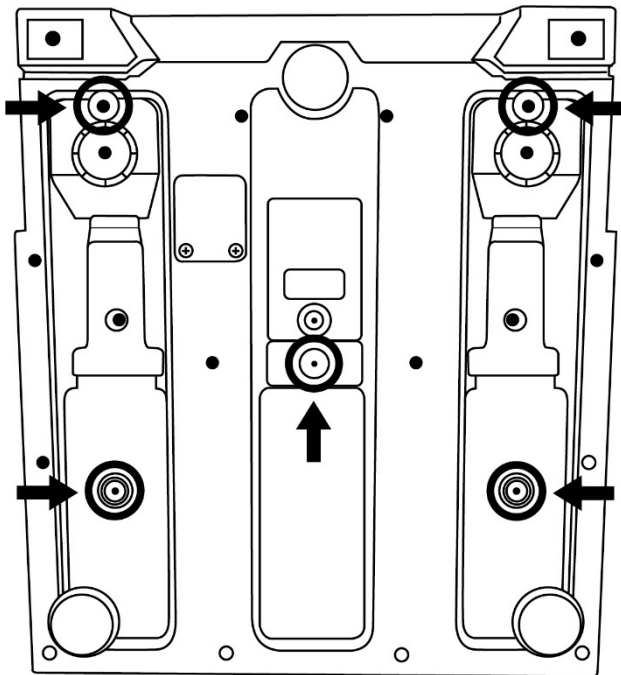
Pro aktualizaci firmwaru pedálové sady: na PC, navštivte <https://support.thrustmaster.com>, zvolte **Racing Wheels “Závodní volanty” / T-LCM Pedals**, poté zvolte **Firmware “ Firmware”** a řiďte se instrukcemi ke stažení a instalaci a postupem.

PŘIPOJENÍ PEDÁLOVÉ SADY K ZÁKLADNĚ NEBO KE KOKPITU

Pedálová sada může být připojena ke škále různých kompatibilních základů (prodávány samostatně) za použití pěti závitů pro vruty typu M6 umístěných na spodní straně. Pro připojení zašroubujte alespoň dva vruty typu M6 (nejsou součástí) do podpěrné police a do závitů na spodní straně základny pedálové sady.



Důležité: délka vrutů typu M6 nesmí přesáhnout tloušťku vaší podpěry o více než 0,47 palců/12 mm, aby nedošlo k riziku poškození vnitřních komponentů pedálové sady.



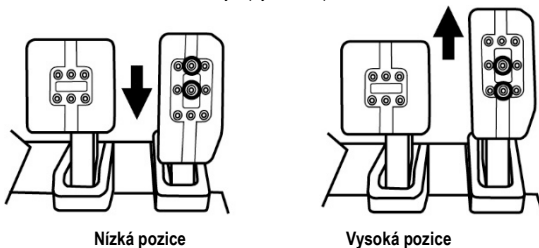
Schémat nastavení pedálové sady pro kokpity a další podpory jsou k dispozici na <https://support.thrustmaster.com>; zvolte Racing Wheels "Závodní volatny" / T-LCM Pedals, a poté Template - Cockpit setup "Šablona - uspořádání kokpitu".

MECHANICKÉ NASTAVENÍ PEDÁLOVÉ SADY

Nastavení výšky pedálů

- Za použití přiloženého 2.5 mm imbusového klíče (7), vyšroubujte dva vruty držící kovovou pedálovou hlavu (11) a její plastovou podpěru (10) na místě.
- Zvolte požadovanou pozici co se výšky týče a poté vše znovu upevněte pomocí vrutů.

Příklady u plynového pedálu:



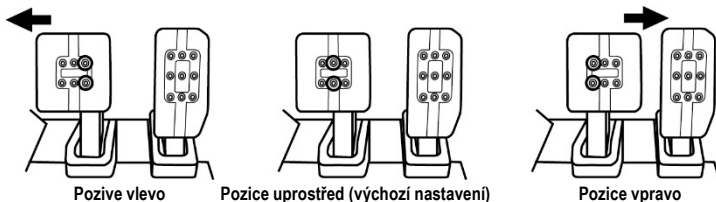
Počet různých výškových pozic u pedálů:

- 3 pro plynový pedál
- 2 pro brzdový pedál
- 2 pro spojkový pedál

Nastavení rozetupů tří pedálů

- Za použití přiloženého 2.5 mm imbusového klíče (7), vyšroubujte dva vruty držící kovovou pedálovou hlavu (11) a její plastovou podpěru (10) na místě.
- Zvolte požadovanou pozici (doleva, uprostřed nebo doprava) a poté vše znovu upevněte pomocí vrutů.

Příklady u brzdového pedálu:



Počet různých pozic rozetupů u pedálů:

- 3 pro plynový pedál
- 3 pro brzdový pedál
- 3 pro spojkový pedál

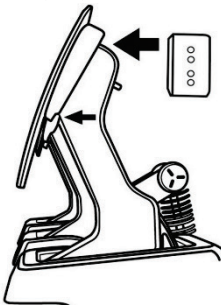
Nastavení náklonu pedálů

- Za použití přiloženého 2.5 mm imbusového klíče (7), vyšroubujte dva vruty držící kovovou pedálovou hlavu (11) a její plastovou podpěru (10) na místě.
- Dále, otočte podpěrku (10) hlavy plastového pedálu o 180° (nebo ji vyměřte) a pak vše šrouby opět sešroubujte dohromady.

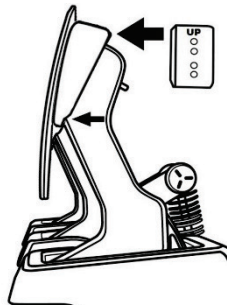
Příklady u plynového pedálu:



Méně nakloněná pozice



Více nakloněná pozice
(výchozí nastavení)



Svislá pozice

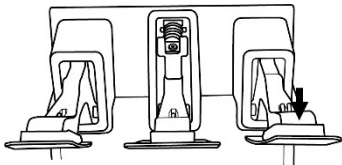
Počet různých pozic naklonění u pedálů:

- 3 pro plynový pedál
- 3 pro brzdový pedál
- 3 pro spojkový pedál

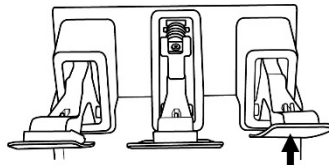
Nastavení pozice pedálů

- Umístěte plastovou podpěru hlavy (10) pro posunutí pedálu dopředu.
- Odejměte plastovou podpěru hlavy (10) pro posunutí dozadu.

Příklady u plynového pedálu:



Přední pozice (výchozí nastavení)

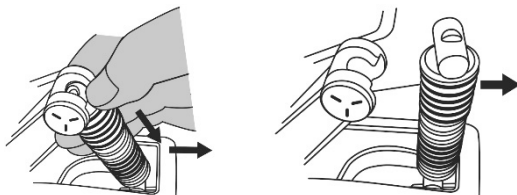


Zadní pozice

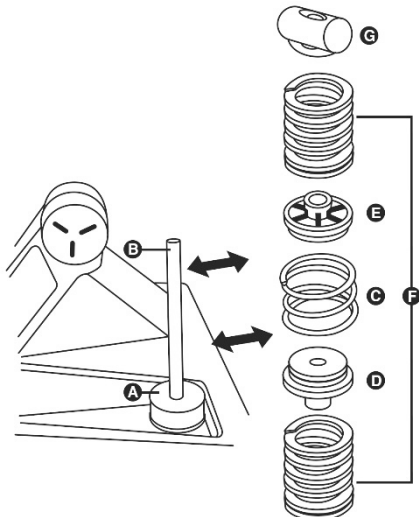
Změna odporu brzdového pedálu

Odpor brzdového pedálu může být nastaven výměnou nebo kombinováním hlavních pružin.

- Odpojte pedálovou sadu od PC nebo herní konzole a silně zatlačte dolů podložku u horní zadržovací hlavice (**G**) (umístěno na zadní straně pedálu), poté zatáhněte zpět za tento komponent a uvolněte jej z kovového ramene.



- Odstraňte všechny součástky z držáku (**B**).



A Load Cell sensor síly

! Nikdy z držáku neodstraňujte!

B Sloupek držáku pružin

C Středová 4-závitová pochromovaná předpínací pružina

D Gumová rozpěrka

E Plastová rozpěrka

F Hlavní 7-závitová pružina
(F10, F15, F20, F30)

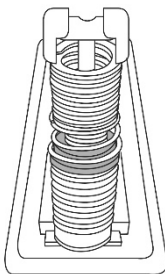
G Horní zadržovací hlavice s podložkou

Odpor brzdového pedálu může být nastaven výměnou nebo kombinováním hlavních F pružin:

Barva F pružiny	Odpor pružiny
BÍLÁ (1 součásti)	F10
ŠEDÁ (1 součásti)	F15
ČERNÁ (1 součásti)	F20
ČERVENÁ (2 součásti)	F30

- Přemístíte různé součástky a hlavní pružiny (**F10, F15, F20 or F30**) dle vaší volby (spolu s vhodnými rozpěrkami) na držák.

Příklad	Odpor
1 bílá F10 pružina + 1 šedá F15 pružina	Slabý odpor
1 šedá F15 pružina + 1 černá F20 pružina (<i>instalováno ve výchozím stavu</i>)	Střední odpor
2 červené F30 pružiny	Velký odpor



Neváhejte kombinovat a zkoušet různé pružiny (je možná celá škála různých kombinací) a najít tak míru odporu, která vám nejvíce vyhovuje.

Jakmile jste upravili odpor, připojte pedálovou sadu k PC odnímatelným USB kabelem (1), poté uskutečnete novou kalibraci brzdového pedálu pomocí kalibračního softwaru. Tato nová kalibrace (odpovídající novému odporu brzdového pedálu) bude automaticky uložena ve vnitřní paměti pedálové sady a bude účinná ve všech vašich hrách na PC a herních konzolích.

▲ VELMI DŮLEŽITÉ ▲

Výchozí kalibrace pedálové sady v továrně je uskutečněna s jednou šedou F15 pružinou a jednou černou F20 pružinou (střední odpor). V případě, že vyměníte pružiny (a tím pádem změníte odpor brzdového pedálu), je nutná rekalibrace brzdového pedálu za pomoci kalibračního softwaru na PC: pokud tak neučiníte, brzda nebude na PC a herních konzolích správně fungovat.

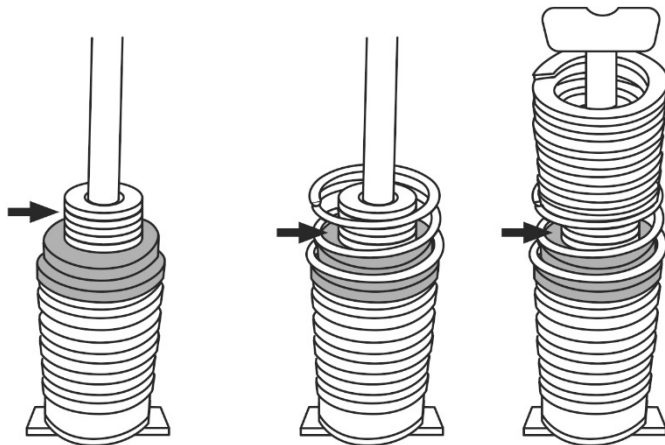
Snížení nebo eliminace účinku předpinání u brzdového pedálu

Pro uživatele, kteří preferují přímější brzdový odpor je také možné snížit nebo eliminovat účinek předpinání středové pochromované předpinací pružiny (C).

Pro toto nastavení navlékněte 1 až 5 plochých podložek (8) na držák, doprostřed středové pochromované předpinací pružiny (C).

Upozornění: Čím více plochých podložek přidáte, tím bude účinek předpinání snížen (nebo zcela eliminován, pokud použijete všech 5 plochých podložek).

Příklad eliminace účinku předpinání za použití všech 5 plochých podložek:



Důležité:

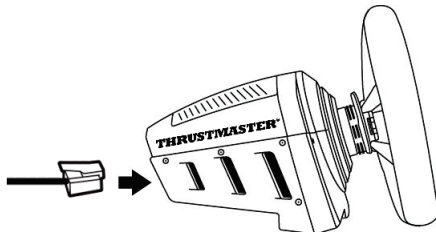
Přidáním těchto plochých podložek se také omezí mechanický pohyb brzdového pedálu.

POUŽITÍ PEDÁLOVÉ SADY S THRUSTMASTER ZÁKLADNOU ZÁVODNÍHO VOLANTU

= NUTNO POUŽÍT ODNÍMATELNÝ RJ12 KABEL (2)

(Odnímatelný USB kabel (1) nesmí být připojen do pedálové sady během tohoto typu použití.)

KOMPATIBILITA: PC A HERNÍ KONZOLE



▲ VELMI DŮLEŽITÉ ▲

Pro zajištění optimálního chodu pedálové sady připojené přímo k Thrustmaster základně závodního volantu (TS-PC Racer, T-GT, T300, T150, TS-XW, TX a TMX) musíte aktualizovat firmware základny závodního volantu nejnovější dostupnou verzí na <https://support.thrustmaster.com>. Tento nový firmware vám umožní vytěžit maximum z pedálové sady T-LCM Pedals s vysokou úrovní přesnosti a použít vlastní nastavení provedená pomocí kalibračního softwaru.

- Jakmile byl firmware Thrustmaster základny závodního volantu aktualizován, připojte pedálovou sadu na zadní straně základny závodního volantu pomocí odnímatelného RJ12 kabelu (2).
- Připojte závodní volant k PC nebo herní konzoli.
- **LED MODE** na spodu vašeho závodního volantu se 5krát rozsvítí jakmile je pedálová sada řádně rozpoznána, pro optimální chod.

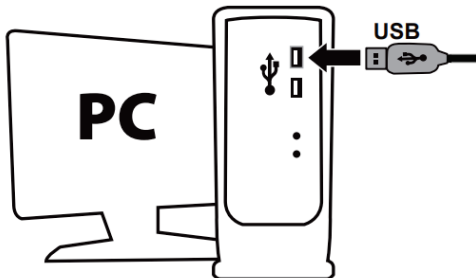
V případě, že **LED MODE** se nerozsvítí, jak je popsáno výše, znamená to, že váš závodní volant nebyl aktualizován nejnovějším dostupným firmwarem, a že pedálová sada není rozpoznána jako pedálová sada **T-LCM Pedals** s vysokou úrovní přesnosti, ale spíše jako standardní typ pedálové sady **T3PA** nebo **T3PA PRO**.

NEJSTE PŘIPRAVENI HRÁT!

Upozornění: Při této konfiguraci musí být na základně vašeho závodního volantu umístěno oficiální Thrustmaster kolo volantu. Pokud tak neučiníte, sada pedálů nebude rozpoznána jako pedálová sada **T-LCM Pedals** s vysokou úrovní přesnosti.

POUŽITÍ PEDÁLOVÉ SADY SE ZÁVODNÍM VOLANTEM JINÉ ZNAČKY NEŽ THRUSTMASTER
(TAKÉ JE MOŽNÉ SE ZÁKLADNOU ZÁVODNÍCH VOLANTŮ THRUSTMASTER)
= NUTNO POUŽÍT USB KABEL (1)

KOMPATIBILITA: POUZE PC



- Připojte pedálovou sadu pomocí odnímatelného USB kabelu (1) do jednoho z USB portů vašeho PC a dokončete instalaci ovladačů.
- Jakmile je instalace ovladačů dokončena, zvolte **Finish** a restartujte počítač.

NYNÍ JSTE PŘIPRAVENI HRÁT!

Poznámky pro PC pokud je pedálová sada připojena pomocí USB kabelu:

- Pedálová sada je kompatibilní se všemi závodními volanty na trhu u her podporujících připojení přes USB a samostatné pedálové sady.
- Nezapomeňte vždy zcela zavřít okno **Herních ovladačů** (zvolením **OK**) a také kalibračního softwaru pedálové sady před zahájením vaší hry.
- Verze firmwaru pedálové sady je zobrazena v levém spodním rohu kalibračního softwaru.

PŘEHLED MOŽNOSTÍ PŘIPOJENÍ PEDÁLOVÉ SADY DLE POUŽITÉHO ZÁVODNÍHO VOLANTU A PLATFORMY

	Připojení pedálové sady
Na HERNÍ KONZOLI se ZÁVODNÍM VOLANTEM THRUSTMASTER	Odnímatelný RJ12 kabel (2)
Na PC se ZÁVODNÍM VOLANTEM THRUSTMASTER	Odnímatelný RJ12 kabel (2) nebo odnímatelný USB kabel (1)
Na PC se závodním volantem jiné značky než Thrustmaster	Odnímatelný USB kabel (1)

VAROVÁNÍ



Z bezpečnostních důvodů nikdy nepoužívejte pedálovou sadu naboso nebo pouze s ponožkami na nohách.

THRUSTMASTER® ODMÍTÁ JAKOUKOLIV ODPOVĚDNOST V PŘÍPADĚ ZRANĚNÍ DŮSLEDKEM POUŽITÍ PEDÁLOVÉ SADY BEZ BOT.



Varování – Elektrický šok

- * Udržujte výrobek v suchém prostředí a nevystavujte jej prachu a slunečnímu záření.
- * Respektujte polaritu připojení.
- * Nekruťte a netahejte za konektory a kabely.
- * Nevylévejte do výrobku ani do konektorů žádná tekutiny.
- * Nezkratujte výrobek.
- * Nikdy výrobek nerozebírejte (mimo úpravy popsané v tomto uživatelském manuálu). Výrobek nevhazujte do ohně a nevystavujte jej vysokým teplotám.



Varování – Zranění způsobená opakovanými pohyby

Používání pedálové sady při hraní může způsobit bolest svalů nebo kloubů. Chcete-li se vyhnout jakýmkoliv problémům:

- * Vyvarujte se zdlouhavého hraní (dělejte 10 - 15 minut dlouhou pauzu po každé hodině hraní).
- * Cítíte-li jakoukoliv únavu či bolest nohou nebo chodidel, přestaňte hrát a několik hodin odpočívajte, než začnete znovu hrát.
- * Pokud příznaky nebo bolest popsaná výše přetrvává jakmile začnete znovu hrát, přestaňte hrát a konzultujte problém se svým lékařem.



Varování – Nebezpečí skřípnutí pedálové sady během herních sezení

- * Udržujte pedálovou sadu mimo dosah dětí.
- * Během herních relací nikdy neumísťte prsty (ani ostatní části vašeho těla) na nebo do blízkosti pedálových ramen.

NIKDY



RŮZNÉ TIPY A TRIKY (nejsou součástí tohoto manuálu)

Různé tipy a triky jsou dostupné na <https://support.thrustmaster.com>: zvolte Racing Wheels "Závodní volanty" / T-LCM Pedals.

SPOTŘEBITELSKÉ INFORMACE O ZÁRUCE

Celosvětově, Guillemot Corporation S.A., jejíž sídlo se nachází na Place du Granier, B.P. 97143, 35571 Chantepie, France (dále jen "Guillemot") zaručuje spotřebiteli, že tento výrobek od Thrustmasteru bude bez závad materiálu a zpracování, po dobu záruční doby od okamžiku převzetí výrobku ve shodě s ohledem na tento výrobek. V zemích Evropské Unie, tato doba odpovídá dvěma (2) letům od dodání výrobku Thrustmaster. V ostatních zemích, záruční doba odpovídá časovému intervalu od převzetí výrobku Thrustmaster v souladu s platnými zákony země, ve které měl spotřebitel trvalý pobyt ke dni nákupu výrobku Thrustmaster (pokud žádné takové opatření v příslušné zemi neexistuje, záruční doba bude jeden (1) rok od data nákupu výrobku Thrustmaster).

Bez ohledu na výše uvedené podmínky, je záruční doba na dobíjecí baterie omezena na dobu šesti (6) měsíců od původního datumu nákupu.

Pokud se u výrobku během záruční doby objeví závada, neprodleně kontaktujte Technickou podporu, kde vám naznačí postup, jak záruku uplatnit. Pokud bude závada uznána, výrobek musí být vrácen prodávajícímu, kde byl zakoupen (nebo na jiné místo, které určí Technická podpora).

V rámci této záruky, bude vadný výrobek podle Technické podpory buď vyměněn nebo uveden do funkčního stavu. Pokud bude během záruční doby výrobek Thrustmasteru opravován, bude záruční doba o dobu, kdy nebylo možné výrobek používat prodloužena, nejméně alespoň o sedm (7) dní (tato doba začíná datem, kdy zákazník požádal o vyřízení reklamacie nebo od data, kdy dotyčný produkt byl k dispozici pro opravu, pokud datum předání výrobku k opravě je po datu žádosti o vyřízení reklamacie). Pokud to umožňují platné zákony, je plná odpovědnost společnosti Guillemot a jejích dceřiných společností (včetně následných škod) omezena na navrácení produktu do provozuschopného stavu nebo na výměnu výrobku Thrustmaster. Pokud to umožňují platné zákony, Guillemot se zřídka všech záruk obchodovatelnosti nebo vhodnosti pro určitý účel.

Tato záruka se nevztahuje na: (1) pokud byl výrobek modifikován, otevřen, změněn nebo utrpěl poškození v důsledku nevhodného nebo nesprávného používání, nedbalosti, nehody, běžného opotřebení, nebo jakékoliv jiné příčiny, nesouvisějící s vadou materiálu nebo zpracování (včetně, ale ne pouze, při kombinaci výrobku Thrustmaster s jakýmkoliv nevhodným prvkem, včetně zejména napájecích adaptérů, nabíjecích baterií, nabíječky, nebo jiných prvků, které nebyly k tomuto výrobku dodány společností Guillemot; (2) pokud byl výrobek používán pro jiné účely než domácí použití, včetně profesionálních a komerčních účelů (např. v hernách, při tréninku, při závodech); (3) v případě nedodržení pokynů poskytovaných Technickou podporou; (4) software, na zmíněný software je poskytována zvláštní záruka; (5) spotřební materiál (prvky, které mohou být vyměněny v průběhu životnosti produktu: baterie na jedno použití, náhlavní sluchátkové soupravy nebo např. náušníky sluchátek); (6) příslušenství (například kabely, pouzdra, brašny, záporní řemínky); (7) pokud byl výrobek prodán ve veřejné aukci.

Tato záruka je nepřenositelná.

Zákonná práva spotřebitele vzhledem k platným zákonům vztahujícím se na prodej spotřebního zboží v jeho nebo její zemi nejsou touto zárukou ovlivněny.

Další ustanovení o záruce

V průběhu záruční doby, Guillemot zásadně nedodává žádné náhradní díly, neboť Technická podpora je jedinou stranou autorizovanou k demontáži a opravě jakéhokoliv produktu Thrustmaster (s výjimkou jakéhokoliv opravy, o kterou zákazníka požádá Technická podpora prostřednictvím písemných pokynů, například z důvodu jednoduchosti a neutajovaného postupu opravy a poskytnutím požadovaných náhradních dílů, jsou-li použitelné.

Vzhledem ke svému inovačnímu cyklu a s cílem ochrany know-how a obchodního tajemství, nesmí Guillemot zásadně poskytovat jakékoli vyrozumění o opravách nebo náhradních dílech jakéhokoliv výrobku Thrustmaster, jehož záruční doba již vypršela.

Odpovědnost

Pokud to povolují příslušné zákony, Guillemot Corporation S.A. (dále jen "Guillemot") a její dceřiné společnosti se zříkají veškeré odpovědnosti za škody způsobené jedním nebo více následujícími body: (1) výrobek byl modifikován, otevřen nebo pozměněn; (2) nedodržení návodu k montáži; (3) nevhodné nebo nesprávné používání, nedbalost, nehoda (například náraz); (4) běžné opotřebení; (5) použití výrobku pro jakékoli jiné než domácí použití, včetně profesionálního nebo komerčního použití (například v hernách, pro výcvik, při soutěžích). Pokud to povolují příslušné zákony, Guillemot a její dceřiné společnosti se zříkají veškeré odpovědnosti za jakékoli škody, které nesouvisí s použitými materiály nebo výrobní vadou příslušného výrobku (včetně, ale nikoliv výhradně, veškerých škod způsobených přímo nebo nepřímo softwarem, nebo kombinací výrobku Thrustmaster s jakýmkoli nevhodným prvkem včetně zejména napájecími zdroji, dobíjecími bateriemi, nabíječkami nebo jakýmkoli jinými prvky, které nebyly společností Guillemot k tomuto výrobku dodány).

THRUSTMASTER®

TECHNICKÁ PODPORA

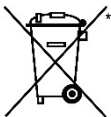
<https://support.thrustmaster.com>



COPYRIGHT

© 2019 Guillemot Corporation S.A. Všechna práva vyhrazena. Thrustmaster® je registrovaná obchodní známka společnosti Guillemot Corporation S.A. PlayStation® je registrovaná obchodní známka společnosti Sony Interactive Entertainment Inc. Windows® je registrovaná obchodní známka společnosti Microsoft Corporation ve Spojených státech a v dalších zemích. Všechny ostatní obchodní známky jsou ve vlastnictví příslušných vlastníků. Vyobrazení nejsou závazná. Obsah, design a specifikace mohou být bez předchozího upozornění změněny a v jednotlivých zemích se mohou lišit. Vyrobeno v Číně.

DOPORUČENÁ OCHRANA ŽIVOTNÍHO PROSTŘEDÍ



V zemích Evropské unie: Na konci životnosti by tento výrobek neměl být vhozen do standardního směsného odpadu, ale odevzdán do sběrného dvoru na recyklaci elektrických a elektronických zařízení.

Toto je potvrzeno symbolem, který je na výrobku, v uživatelském manuálu nebo na obalu.

V závislosti na charakteristice materiálů, mohou být tyto recyklovány. Recyklací a dalšími formami zpracování odpadních elektrických a elektronických zařízení můžete významným způsobem přispět k ochraně životního prostředí.

Pro informace o nejbližším sběrném dvoru se obraťte na místní úřad.

Pro všechny ostatní země: Dodržujte prosím místní předpisy týkající se recyklace elektrických a elektronických zařízení.

Tyto informace si uchovejte. Barvy a dekorace se mohou lišit.

Před použitím by měly být z výrobku odstraněny plastové spojovací lepicí materiály.

www.thrustmaster.com

**Platné pouze pro EU a Turecko*



T-LCM PEDALS

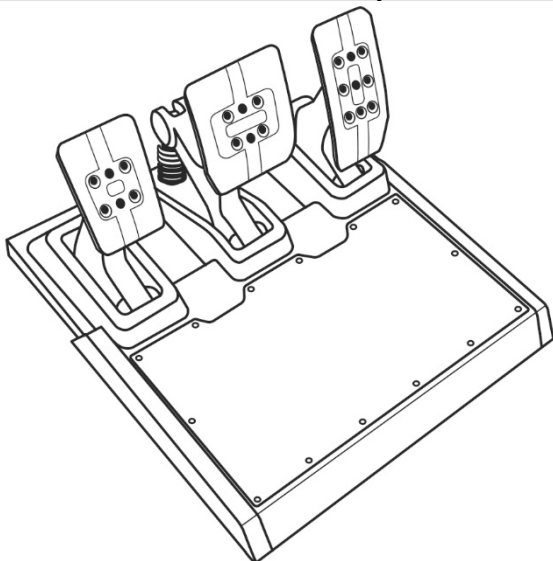
LOAD CELL & MAGNETICS

PC – PlayStation®4 – Xbox One®

Kullanma Kılavuzu

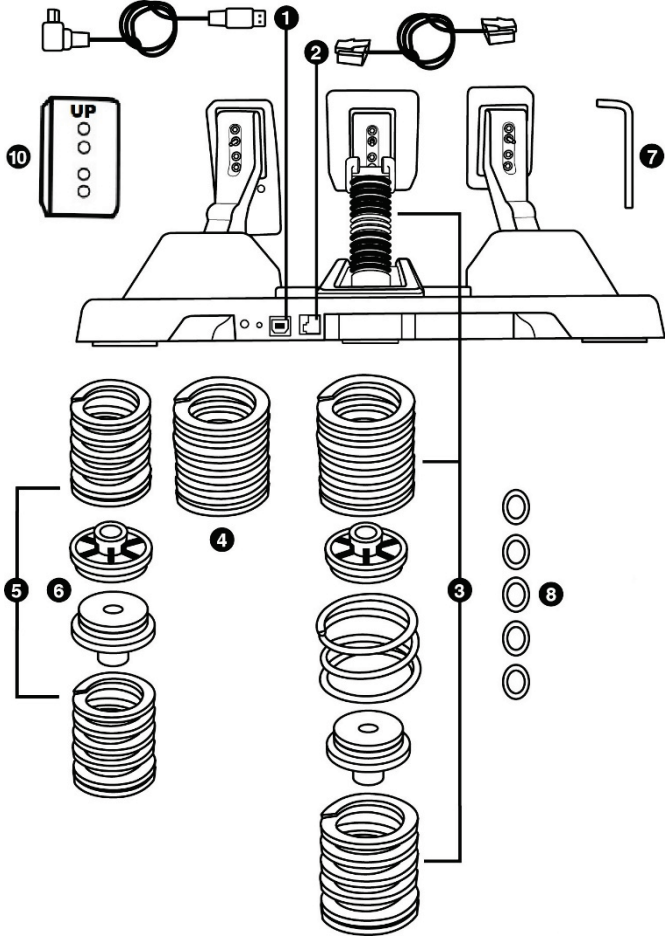


Bu ürünü kullanmadan önce lütfen bu kullanma kılavuzunu dikkatlice okuyun ve daha sonra başvuru kaynağı olarak kullanmak üzere saklayın.



TEKNİK ÖZELLİKLER

Genel bakış



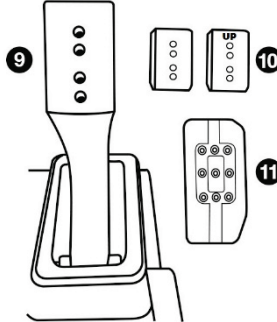
- 1 Çıkarılabilir USB kablosu; USB konektörü pedal setinin arka kısmındadır
- 2 Çıkarılabilir RJ12 kablosu; RJ12 konektörü pedal setinin arka kısmındadır
- 3 Orta direnç, fabrikada önceden monte edilmiştir
(1 siyah F20 yay + 1 gri F15 yay)
(+ 1 merkezi krom kaplı ön germe yayı)
(+ 2 ara parça, işaretsiz)
- 5 2 kırmızı F30 yay
- 4 1 beyaz F10 yay
- 6 2 ara parça, kırmızı işaretli
(kırmızı F30 yaylarla kullanılmak üzere özel olarak tasarlanmıştır)
- 7 2,5 mm Allen anahtarı
- 8 5 düz pul (merkezi krom kaplı yayın ön germesini azaltmak veya ortadan kaldırmak için)
- 10 Pedalların dikey eğimi için plastik pedal başlığı desteği

Ara parçalar

2 tip ara parça verilmektedir. Seçilen yay tipine bağlı olarak uygun ara parça tipinin kullanılması önemlidir.

	<p>Renk işareti içermeyen ara parçalar (<i>ve qirintili</i>)</p> <p>Aşağıdaki yaylarla kullanmak için: Beyaz F10 Gri F15 Siyah F20</p>
	<p>Kırmızı işaretli ara parçalar (<i>ve qirintisiz</i>)</p> <p>Aşağıdaki yaylarla kullanılmak üzere özel olarak tasarlanmıştır: Kırmızı F30</p>

Pedal kolları ve başlıkları



- 9 4 delikli metal pedal kolu
- 10 4 delikli plastik pedal başlığı desteği (pedal başlığı ile kolunun arasına yerleştirilecektir)
- 11 Metal pedal başlıkları (farklı delik sayılarıyla: gaz pedalı için 9; fren pedalı için 6; debriyaj pedalı için 6 adet)

KALİBRASYON YAZILIMI

⚠ ÇOK ÖNEMLİ ⚠

Fren pedalının direncini değiştirirken bu prosedür izlenmelidir.

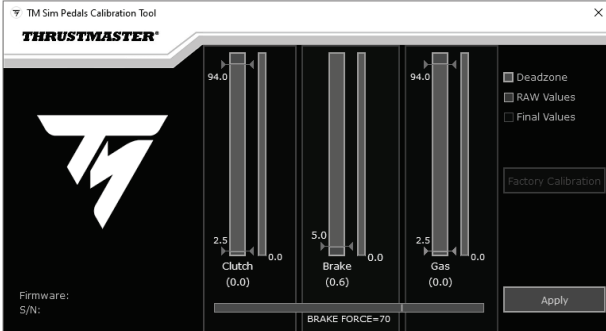
Pedal setini, çıkarılabilir USB kablosu (1) ile bilgisayara bağlayın.

Bu prosedür sırasında çıkarılabilir RJ12 kablosu (2) pedal setine bağlanmamalıdır.

<https://support.thrustmaster.com> adresine gidin. **Racing Wheels** (Yarış Direksiyonları) / **T-LCM Pedals** ögesine tıklayın, ardından **Software** (Yazılım)'ı seçin.

Kalibrasyon yazılımını indirip yükleyerek:

- Üç pedalın tümünde hareket aralığının başında yer alan ölü bölgeleri istediğinizi gibi ayarlayabilirsiniz.
- Gaz pedalı ve debriyaj pedalında hareket aralığının sonunda yer alan ölü bölgeleri istediğinizi gibi ayarlayabilirsiniz.
- Fren pedalında elektronik gücü (Brake Force) istediğinizi gibi ayarlayabilirsiniz.



Farklı ayarları düzgün bir şekilde yaptıktan sonra **APPLY**'a tıklayın ve ardından çıkarılabilir USB kablosunu (1) ayırın. Ayarlar pedal setinin dahili belleğine kaydedilir: Bilgisayar ve oyun konsollarında tüm oyunlarınızda etkili olurlar.

PEDAL SETİ DONANIM YAZILIMININ GÜNCELLENMESİ

Donanım yazılımını güncellemek için pedal seti, çıkarılabilir USB kablosu (1) ile bir bilgisayara bağlanmalıdır.

Pedal setinde yer alan donanım yazılımı, ürün geliştirmelerine izin vermek için daha yeni sürümlerle güncellenebilir.

Donanım yazılımı sürümü, kalibrasyon yazılımının sol alt köşesinde gösterilir.

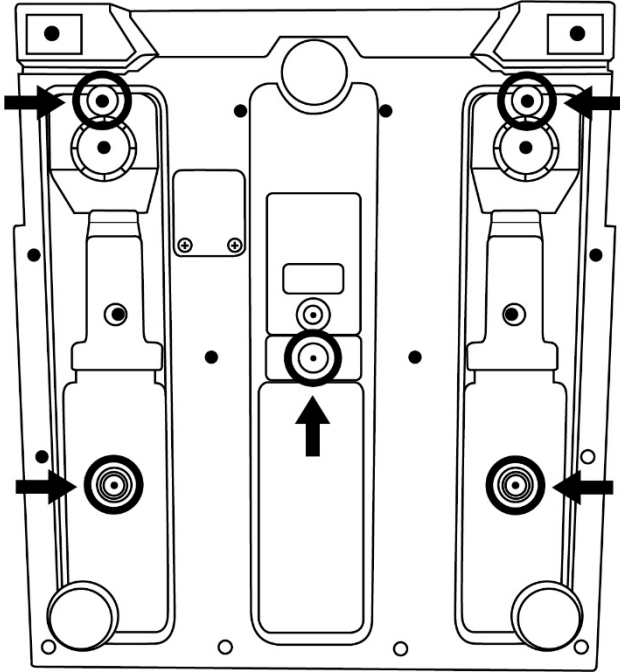
Pedal setinin donanım yazılımını güncellemek için: Bilgisayarda <https://support.thrustmaster.com> adresini ziyaret edin, **Racing Wheels** (Yarış Direksiyonları) / **T-LCM Pedals** ögesine tıklayın, ardından **Firmware** (Donanım Yazılımı)'nı seçin ve indirme / yükleme talimatlarını ve prosedürlerini izleyin.

PEDAL SETİNİ BİR DESTEK VEYA KOKPİTE MONTE ETME

Pedal seti, farklı birçok uyumlu desteğe (ayrı olarak satılır) tabanın alt kısmında bulunan beş adet M6 tipi vida deliği kullanılarak monte edilebilir. Monte etmek için en az iki adet M6 vidayı (ürünle verilmez) destek rafından geçecek şekilde pedal seti tabanının altında bulunan vida deliklerine vidalayın.



Önemli: Pedal setinin iç bileşenlerinin zarar görmemesi için M6 vidaların uzunluğu, desteğinizin kalınlığını 12 mm'den daha fazla geçmemelidir.



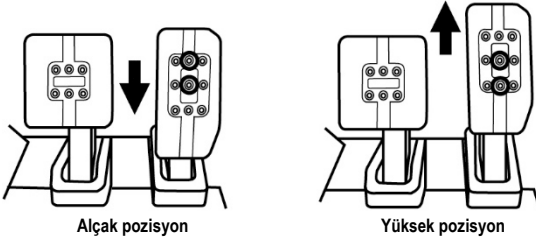
Pedal setinin kokpite veya başka desteklere kurulum şablonları <https://support.thrustmaster.com> adresinde mevcuttur: Racing Wheels (Yanış Direksiyonları) / T-LCM Pedals ögesine ve ardından Template - Cockpit setup (Şablon - Kokpit kurulumu) ögesine tıklayın.

PEDAL SETİ MEKANİK AYARLARI

Pedalların yüksekliğini ayarlama

- Ürünle verilen 2,5 mm Allen anahtarını (7) kullanarak metal pedal başlığı (11) ile plastik desteğini (10) sabitleyen iki vidayı sökün.
- Yükseklik açısından istediğiniz pozisyonu seçin ve ardından her şeyi vidaları kullanarak birbirine yeniden sabitleyin.

Gaz pedalını gösteren örnekler:



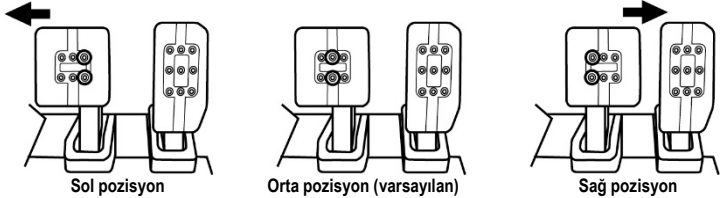
Her pedal için farklı yükseklik pozisyonu sayısı:

- Gaz pedalı için 3
- Fren pedalı için 2
- Debriyaj pedalı için 2

Üç pedalın ara boşluğunu ayarlama

- Ürünle verilen 2,5 mm Allen anahtarını (7) kullanarak metal pedal başlığı (11) ile plastik desteğini (10) sabitleyen iki vidayı sökün.
- İsteddiğiniz pozisyonu (sola, ortaya veya sağa) seçin ve ardından her şeyi vidaları kullanarak birbirine yeniden sabitleyin.

Fren pedalını gösteren örnekler:



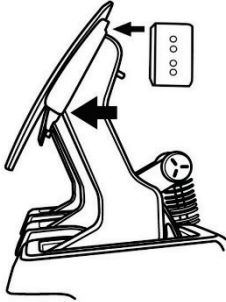
Her pedal için farklı ara boşluğu pozisyonu sayısı:

- Gaz pedalı için 3
- Fren pedalı için 3
- Debriyaj pedalı için 3

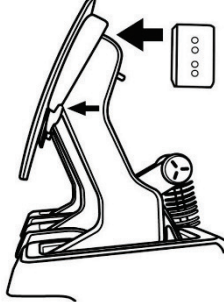
Pedalların eğimini ayarlama

- Ürünle verilen 2,5 mm Allen anahtarını (7) kullanarak metal pedal başlığı (11) ile plastik desteğini (10) sabitleyen iki vidayı sökün.
- Daha sonra plastik pedal başlığı desteğini (10) 180° çevirin (veya pedal başlığını değiştirin) ve ardından her şeyi vidaları kullanarak birbirine yeniden sabitleyin.

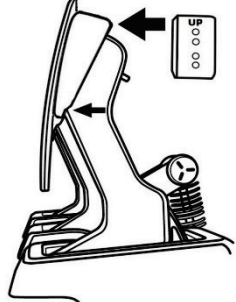
Gaz pedalını gösteren örnekler:



Az eğimli pozisyon



Çok eğimli pozisyon
(varsayılan)



Dikey pozisyon

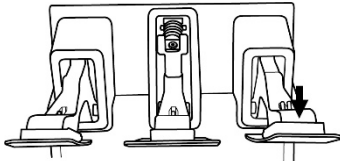
Her pedal için farklı eğim pozisyonu sayısı:

- Gaz pedalı için 3
- Fren pedalı için 3
- Debriyaj pedalı için 3

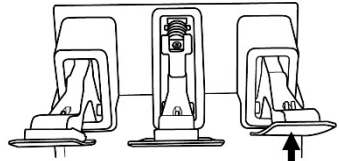
Pedalların hizasını ayarlama

- Pedalı ileriye hareket ettirmek için plastik pedal başlığı desteğini (10) takın.
- Pedalı geriye hareket ettirmek için plastik pedal başlığı desteğini (10) çıkarın.

Gaz pedalını gösteren örnekler:



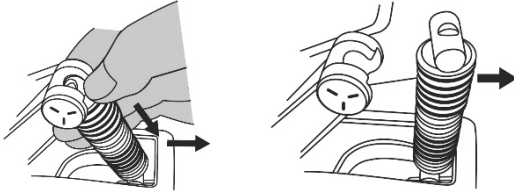
İleri pozisyon (varsayılan)



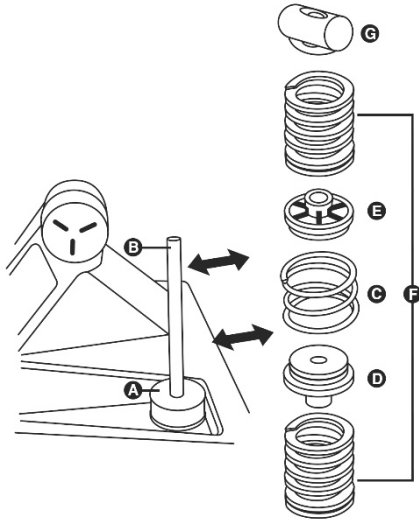
Geri pozisyon

Fren pedalının direncini deęiřtirme

- Pedal setini bilgisayar veya oyun konsolundan ayırın ve üst tutma başlığının (**G**) (pedalın arka kısmında bulunur) pulundan ařaęı doęru sıkıca bastırın ve ardından bu bileřeni geriye doęru çekerek metal koldan kurtarın.



- Tutucu çubuktan (**B**) farklı elemanları çıkarın.



A Load Cell güç sensörü

! Tutucu çubuktan hiçbir zaman çıkarılmamalıdır!

B Yay sütunu için tutucu çubuk

C Merkezi 4 sarımlı krom kaplı ön germe yayı

D Kauçuk ara parça

E Plastik ara parça

F Ana 7 sarımlı yay
(F10, F15, F20, F30)

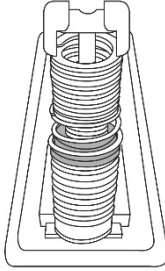
G Pul ile birlikte üst tutma başlığı

Fren pedalının direnci, ana F yayları değiştirerek veya karıştırarak ayarlanabilir:

F yay rengi	Yay direnci
BEYAZ (1 adet verilir)	F10
GRİ (1 adet verilir)	F15
SİYAH (1 adet verilir)	F20
KIRMIZI (2 adet verilir)	F30

- Farklı elemanları ve istediğiniz ana yayları (**F10, F15, F20 veya F30**) (uygun ara parçalarla birlikte) tutucu çubuğun üzerine yeniden yerleştirin.

Örnek	Direnç
1 beyaz F10 yay + 1 gri F15 yay	Zayıf direnç
1 gri F15 yay + 1 siyah F20 yay (fabrika çıkışı olarak takılıdır)	Orta direnç
2 kırmızı F30 yay	Güçlü direnç



Size en uygun direnç seviyesini bulmak için farklı yayları karıştırıp denemekten çekinmeyin (farklı pek çok kombinasyon mümkündür).

Direnç değiştirdikten sonra pedal setini çıkarılabilir USB kablosu (1) ile bir bilgisayara bağlayın ve ardından kalibrasyon yazılımı aracılığıyla pedal setinin yeniden kalibrasyonunu yapın. Bu yeni kalibrasyon (yeni fren pedali direncine karşılık gelen) pedal setinin dahili belleğine otomatik olarak kaydedilir, bilgisayar ve oyun konsollarında tüm oyunlarınızda etkili olur.

⚠ ÇOK ÖNEMLİ ⚠

Pedal setinin fabrika çıkışı kalibrasyonu bir gri F15 yay ve bir siyah F20 yay (orta direnç) ile yapılmıştır. Yayları (ve dolayısıyla fren pedalının direncini) değiştirmeniz durumunda fren pedalını, bilgisayarda kalibrasyon yazılımını kullanarak yeniden kalibre etmeniz gerekir: Yeniden kalibre etmezseniz fren pedali bilgisayar veya oyun konsollarında düzgün çalışmaz.

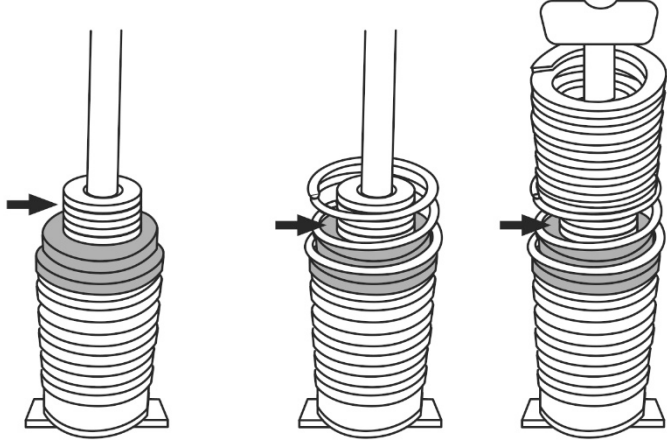
Fren pedalının ön germe etkisini azaltma veya ortadan kaldırma

Daha doğrusal frenleme direncini tercih eden kullanıcılar için merkezi krom kaplı ön germe yayının (C) ön germe etkisini azaltmak veya ortadan kaldırmak da mümkündür.

Bunu yapmak için 1 ila 5 düz pulu (8) tutucu çubuğa, merkezi krom kaplı ön germe yayının (C) ortasına geçirin.

Lütfen unutmayın: Ne kadar çok düz pul eklerseniz ön germe etkisi o kadar azalır (veya 5 düz pulun tamamını kullanırsanız etki tamamen ortadan kalkar).

5 düz pulun tamamını kullanarak ön germe etkisini ortadan kaldırma örneği:



Önemli:

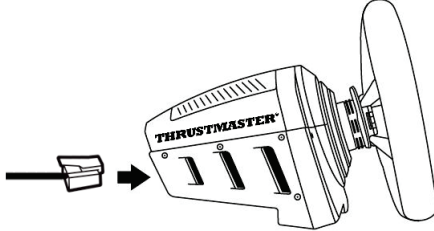
Bu düz pulların eklenmesi, fren pedalının mekanik hareket aralığının azaltılmasına da etki eder.

PEDAL SETİNİ BİR THRUSTMASTER YARIŞ DİREKSİYONU TABANI İLE KULLANMA

= ÇIKARILABİLİR RJ12 KABLOSU (2) GEREKİR

(Bu tip kullanım sırasında çıkarılabilir USB kablosu (1) pedal setine bağlanmamalıdır.)

UYUMLULUK: PC VE OYUN KONSOLLARI



⚠ ÇOK ÖNEMLİ ⚠

Doğrudan bir Thrustmaster yarış direksiyonu tabanına (TS-PC Racer, T-GT, T300, T150, TS-XW, TX ve TMX) bağlı pedal setinin optimum çalışmasını sağlamak için yarış direksiyonu tabanının donanım yazılımını, <https://support.thrustmaster.com> adresinde mevcut en son sürümle güncellemeniz gerekmektedir. Bu yeni donanım yazılımı, T-LCM Pedals pedal setinin üst düzey hassasiyetinden azami seviyede yararlanmanızı ve kalibrasyon yazılımı üzerinden yapılan kişisel ayarlarınızı kullanmanızı sağlayacaktır.

- Thrustmaster yarış direksiyonu tabanının donanım yazılımı güncellendikten sonra pedal setini yarış direksiyonu tabanının arka kısmına, çıkarılabilir RJ12 kablosunu (2) kullanarak bağlayın.
- Yarış direksiyonunuzu bilgisayarınıza veya oyun konsolunuza bağlayın.
- Yarış direksiyonunuzun tabanındaki MODE LED'i 5 kez yanıp sönmeye pedal setinin optimum çalışma için algılandığını gösterir.

MODE LED'inin yukarıda belirtildiği gibi yanıp sönmemesi durumunda bu, yarış direksiyonunuzun tabanının mevcut en son donanım yazılımı ile güncellenmediğini ve pedal setinin yüksek hassasiyetli bir T-LCM Pedals pedal seti olarak değil standart bir T3PA veya T3PA PRO tipi pedal seti olarak algılandığını gösterir.

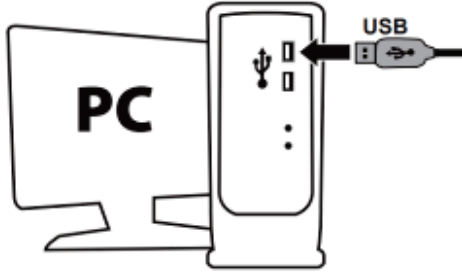
ARTIK OYNAMAYA HAZIRSINIZ!

Lütfen unutmayın: Bu konfigürasyonda, yarış direksiyonunuzun tabanına resmi bir Thrustmaster direksiyon simidi takılı olmalıdır. Takılmaması pedal setinin yüksek hassasiyetli bir T-LCM Pedals pedal seti olarak algılanmamasına neden olur.

PEDAL SETİNİ THRUSTMASTER OLMAYAN BİR YARIŞ DİREKSİYONU İLE KULLANMA

(BİR THRUSTMASTER YARIŞ DİREKSİYONU TABANI İLE DE MÜMKÜNDÜR)
= ÇIKARILABİLİR USB KABLOSU (1) GEREKİR

UYUMLULUK: SADECE PC



- Pedal setini, bilgisayarınızın USB portlarından birine çıkarılabilir USB kablosu (1) ile bağlayın ve sürücülerini yüklemeyi tamamlayın.
- Sürücülerin yüklenmesi tamamlandığında **Finish**'e tıklayın ve bilgisayarınızı yeniden başlatın.

ARTIK OYNAMAYA HAZIRSINIZ!

Pedal seti USB kablosu ile bağlandığında bilgisayar için notlar:

- Pedal seti, piyasadaki tüm yarış direksiyonlarıyla, çoklu USB bağlantısını ve ayrı pedal setlerini destekleyen tüm oyunlarda uyumludur.
- Oyununuzu başlatmadan önce **Oyun Kumandaları** penceresini (**OK**'e tıklayarak) ve pedal setinin kalibrasyon yazılımını daima tamamen kapatmayı unutmayın.
- Pedal setinin donanım yazılımı sürümü, kalibrasyon yazılımının sol alt köşesinde gösterilir.

KULLANILAN YARIŞ DİREKSİYONU VE PLATFORMA GÖRE PEDAL SETİNİN BAĞLAMA ÖZETİ

	Pedal seti bağlantısı
THRUSTMASTER YARIŞ DİREKSİYONU ile OYUN KONSOLUNDA	Çıkarılabilir RJ12 kablosu (2)
THRUSTMASTER YARIŞ DİREKSİYONU ile PC'de	Çıkarılabilir RJ12 kablosu (2) veya çıkarılabilir USB kablosu (1)
Thrustmaster olmayan yarış direksiyonu ile PC'de	Çıkarılabilir USB kablosu (1)

UYARI



Güvenlik nedeniyle pedal setini asla çıplak ayaklarla veya ayağınıza sadece çorap giyerek kullanmayın.

THRUSTMASTER® PEDAL SETİNİN AYAKKABISIZ KULLANILMASINDAN KAYNAKLANAN YARALANMALARDA HİÇBİR SORUMLULUK KABUL ETMEZ.



Uyarı - Elektrik çarpması

- * Ürünü kuru bir yerde saklayın ve toza veya güneş ışığına maruz bırakmayın.
- * Bağlantı kutuplarına dikkat edin.
- * Konektörleri ve kabloları bükmeyin ve çekmeyin.
- * Ürünün veya konektörlerinin üzerine herhangi bir sıvı dökmeyin.
- * Ürünü kısa devre yapmayın.
- * Ürünü asla parçalarına ayırmayın (bu kullanma kılavuzunda belirtilen ayarlamalar dışında). Ateşe atmayın ve yüksek sıcaklıklara maruz bırakmayın.



Uyarı — Tekrarlanan hareketler nedeniyle yaralanma

Pedal seti ile oynamak kas veya eklem ağrısına neden olabilir. Her türlü sorunu önlemek için:

- * Uzun oyun periyotlarından sakının (Her oyun saatinin ardından 10 ila 15 dakika ara verin).
- * Ayaklarınızda veya bacaklarınızda yorgunluk veya ağrı hissederseniz oynamayı kesin ve yeniden oynamaya başlamadan önce birkaç saat dinlenin.
- * Yeniden oynamaya başladığınızda yukarıda belirtilen semptomlar veya ağrı tekrar ederse oynamayı kesin ve bir doktora başvurun.



Uyarı - Oyun oturumları sırasında pedal seti sıkıştırma tehlikesi

- * Pedal setini çocukların ulaşabileceği yerlerden uzak tutun.
- * Oyun oturumları sırasında parmaklarınızı (veya vücudunuzun başka kısımlarını) asla pedal kollarının üzerine veya yanına koymayın.

ASLA



ÇEŞİTLİ İPUÇLARI VE NUMARALAR (bu kılavuzda bulunmaz)

Çeşitli ipuçları ve numaralar, <https://support.thrustmaster.com> adresine mevcuttur: **Racing Wheels** (Yarış Direksiyonları) / **T-LCM Pedals** ögesine tıklayın.

TÜKETİCİ GARANTİ BİLGİSİ

İşbu Thrustmaster ürünü, malzeme ve işçilik hatalarına karşı, müşterinin kusurlu ürünün ücretinin iade edilmesi veya değiştirilmesi talebinde bulunabileceği süreye karşılık gelen garanti süresince dünya çapında tescil edilmiş merkezi Place du Granier, B.P. 97143, 35571 Chantepie, Fransa'da bulunan Guillemot Corporation S.A. (bundan sonra "Guillemot" olarak ifade edilecektir) garantisini altındadır. Avrupa Birliği ülkelerinde bu süre, Thrustmaster ürününün tesliminden itibaren iki (2) seneye karşılık gelir. Diğer ülkelerde garanti süresi, Thrustmaster ürünü ile ilgili olarak, Thrustmaster ürününün satın alındığı tarihte müşterinin ikamet ettiği ülkede geçerli yasalara uygun şekilde, müşterinin kusurlu ürünün ücretinin iade edilmesi veya değiştirilmesi talebinde bulunabileceği süreye karşılık gelir (İlgili ülkede bu tür bir düzenleme mevcut değilse garanti süresi Thrustmaster ürününün satın alındığı asıl tarihten itibaren bir (1) yıl olacaktır).

Garanti süresi içinde üründe hata veya kusur tespit edilmesi durumunda derhal izlenecek yöntem ile ilgili size bilgi verecek olan Teknik Destek servisimize başvurun. Hata veya kusur onaylanırsa ürünün satın alındığı yere (ya da Teknik Destek servisi tarafından belirtilen yere) iade edilmesi gerekmektedir. İşbu garanti kapsamında müşterinin kusurlu ürünü, Teknik Destek servisinin inisiyatifine bağlı olarak, değiştirilecek veya çalışır hale getirilecektir. Garanti süresince Thrustmaster ürününün onarım işlemine tabi tutulması durumunda, ürünün kullanım dışı olduğu en az yedi (7) günlük tüm süreler kalan garanti süresine eklenecektir (bu süre, ürünün onarılması için hazır bulundurulduğu tarih müdahale edilmesi için talepte bulunduğu tarihi takip ediyor ise müşterinin müdahale edilmesi için talepte bulunduğu tarihten veya bahse konu ürünün onarılması için hazır bulundurulduğu tarihten başlar). Yürürlükte olan yasaların izin verdiği durumlarda, Guillemot ve bağlılarının tüm sorumluluğu (dolaylı hasarlar da dahil olmak üzere) Thrustmaster ürününün çalışır hale getirilmesi veya değiştirilmesi ile sınırlıdır. Yürürlükte olan yasaların izin vermesi halinde Guillemot, ticarete elverişlilik veya belirli bir amaca uygunluk ile ilgili tüm garantileri reddeder.

İşbu garanti aşağıdaki durumlar için geçerli değildir: (1) Ürün modifiye edilmişse, açılmışsa, üzerinde değişiklik yapılmışsa, uygunsuz veya kötü kullanım, ihmâl, kaza, normal aşınma ya da malzeme veya üretim hatası ile ilgili olmayan nedenlerden dolayı hasar görmüşse (ancak bununla sınırlı kalmamak üzere, Thrustmaster ürününü herhangi uygun bir elemanla birleştirmek, buna dahil olarak özellikle güç kaynakları, yeniden doldurulabilir piller, şarj cihazları veya bu ürün için Guillemot tarafından tedarik edilmemiş tüm diğer elemanlar); (2) ürün, evde kullanım dışında, profesyonel veya ticari maksatlı olanlar da dahil olmak üzere (örneğin oyun salonları, eğitim, yarışlar) başka maksatlarla kullanılmışsa; (3) Teknik Destek servisi tarafından sağlanan talimatlara uyulmamışsa; (4) yazılım için, işbu garanti geçerli değildir, söz konusu yazılım için sağlanan özel garanti hükümlerine tabidir; (5) sarf malzemeleri için (ürünün kullanım süresi içinde değiştirilecek elemanlar: örneğin; tek kullanımlık piller, kulaklık yastıkları); (6) aksesuarlar için (örneğin; kablolar, kılıflar, cepler, çantalar, bileklikler); (7) ürün açık artırma ile satılmışsa.

Bu garanti devrulanamaz.

Tüketim mallarının tüketicinin ülkesinde satışına ilişkin tüketicinin yasal hakları işbu garantiden etkilenmemektedir.

Ek garanti hükümleri

Garanti süresince, tüm Thrustmaster ürünlerini açmaya ve/veya onarmaya yetkili tek taraf Teknik Destek Servisi olduğundan prensip olarak Guillemot tarafından hiçbir yedek parça sağlanmayacaktır (Uygulanabilir olması durumunda yazılı talimatlarla ve müşteriye gerekli yedek parça(lar) sağlanarak Teknik Destek Servisinin müşteri tarafından yapılmasını isteyebileceği tüm onarım prosedürleri hariç – örneğin onarım işleminin basit olmasından ve gizlilik içermemesinden dolayı).

İnovasyon döngülerini dikkate almak ve bilgi birikimi ile ticari sınırlarını korumak için Guillemot, prensip olarak garanti süresi dolmuş hiç bir Thrustmaster ürünü için onarım bilgisi veya yedek parça sağlamayacaktır.

Sorumluluk

Yürürlükte olan yasaların izin vermesi halinde, Guillemot Corporation S.A. (bundan sonra "Guillemot" olarak ifade edilecektir) ve bağlıları aşağıdakilerin biri veya daha fazlasından kaynaklanan her türlü hasara karşı tüm sorumluluğu reddeder: (1) Ürün modifiye edilmişse, açılmışsa, üzerinde değişiklik yapılmışsa; (2) montaj talimatlarına uyulmamışsa; (3) uygunsuz veya kötü kullanım, ihmal, kaza (örneğin bir darbe); (4) normal aşınma; (5) ürünün, evde kullanım dışında, profesyonel veya ticari maksatlı olanlar da dahil olmak üzere (örneğin oyun salonları, eğitim, yarışlar) başka maksatlarla kullanılması. Yürürlükte olan yasaların izin vermesi halinde, Guillemot ve bağlıları ürünle ilgili malzeme veya üretim hatası ile ilgili olmayan her türlü hasara karşı tüm sorumluluğu reddeder (ancak bununla sınırlı kalmamak üzere, herhangi bir yazılımdan veya Thrustmaster ürününün herhangi bir uygun olmayan elemanla birleştirilmesinden doğrudan veya dolaylı olarak kaynaklanan tüm hasarlar, buna dahil olarak özellikle güç kaynakları, yeniden doldurulabilir piller, şarj cihazları veya bu ürün için Guillemot tarafından tedarik edilmemiş tüm diğer elemanlar).

THRUSTMASTER®

TEKNİK DESTEK

<https://support.thrustmaster.com>



EN

FR

DE

NL

IT

ES

PT

RU

CS

TR

PL

日本語

繁體中文

한국어

العربية

TELİF HAKKI

© 2019 Guillemot Corporation S.A. Tüm hakları saklıdır. Thrustmaster®, Guillemot Corporation S.A. kuruluşunun tescilli ticari markasıdır. PlayStation®, Sony Interactive Entertainment Inc. kuruluşunun tescilli ticari markasıdır. Windows® Microsoft Corporation'ın Amerika Birleşik Devletleri'nde ve/veya diğer ülkelerde tescilli ticari markalarıdır. Diğer tüm ticari markalar ve marka adları burada tanınmıştır ve kendi sahiplerinin mülkiyetindedir. Resimler bağlayıcı değildir. İçerik, tasarım ve özellikler önceden haber verilmeksizin değiştirilebilir ve bir ülkeden başka bir ülkeye değişiklik gösterebilir. Çin'de yapılmıştır.

ÇEVRE KORUMA ÖNERİLERİ



Avrupa Birliği'nde: Cihazın kullanım ömrü sona erdiğinde, standart ev atıkları ile atılmamalı, geri dönüşüm için Atık Elektrikli ve Elektronik Cihazların toplandığı bir yere bırakılmalıdır.

Bu, ürünün, kullanım kılavuzunun veya paketin üzerinde bulunan sembol ile onaylanmıştır.



Özelliklerine bağlı olarak malzemeler geri dönüştürülebilir. Atık Elektrik ve Elektronik Cihazların geri dönüşümü veya diğer işleme yöntemleri sayesinde çevrenin

korunmasına yönelik önemli bir katkıda bulunabilirsiniz. Size en yakın toplama merkezleri hakkında bilgi almak için lütfen yerel yetkililerle iletişime geçin.

Diğer ülkeler için: Lütfen elektrikli ve elektronik cihazların geri dönüşümü için yerel yasalara uyunuz.

AEEE Yönetmeliğine Uygundur.

Bu belgeyi saklayın. Renkler ve süslemeler değişiklik gösterebilir.
Plastik tutturucular ve bantlar, kullanmadan önce üründen çıkarılmalıdır.

www.thrustmaster.com

**Sadece AB ve Türkiye için geçerlidir*



T-LCM PEDALS

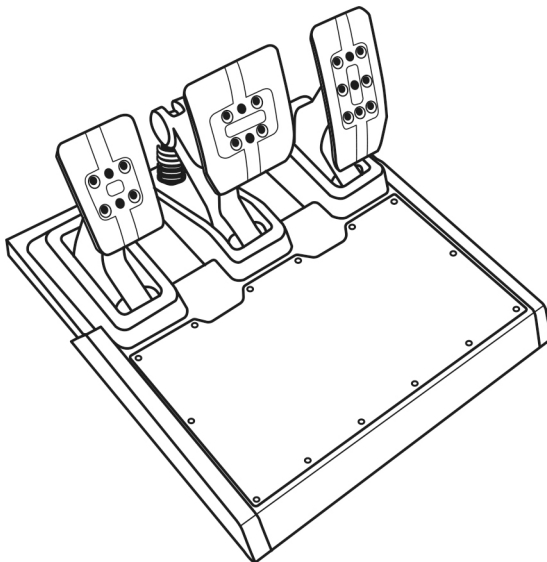
LOAD CELL & MAGNETICS

PC — PlayStation®4 — Xbox One®

Instrukcja obsługi

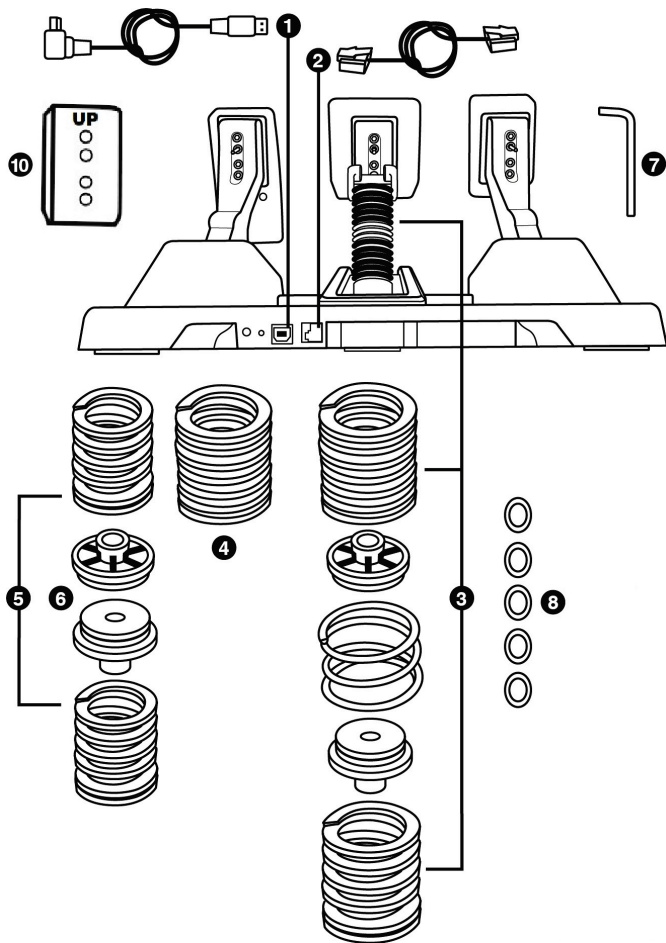


Zanim rozpoczniesz korzystanie z urządzenia, szczegółowo zapoznaj się z tą instrukcją obsługi, a następnie zachowaj ją do wglądu.



ELEMENTY

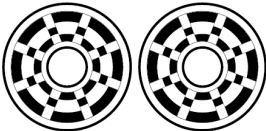

Informacje ogólne



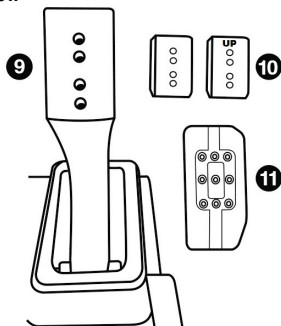
- 1 Kabel USB i złącze USB z tyłu zestawu pedałów
- 2 Kabel RJ12 i złącze RJ12 z tyłu zestawu pedałów
- 3 Średni opór, elementy zainstalowane fabrycznie
(1 czarna sprężyna F20 + 1 szara sprężyna F15)
(+ 1 środkowa chromowana sprężyna ściskania wstępnego)
(+ 2 elementy dystansowe bez oznaczeń)
- 4 1 biała sprężyna F10
- 5 2 czerwone sprężyny F30
- 6 2 elementy dystansowe z czerwonymi oznaczeniami
(przeznaczone do czerwonych sprężyn F30)
- 7 Klucz imbusowy 2,5 mm
- 8 5 podkładek płaskich
(umożliwiających zmniejszenie lub wyeliminowanie ściskania wstępnego chromowanej sprężyny środkowej)
- 10 Plastikowa podpórka stopki pedału zapewniająca położenie pionowe

Elementy dystansowe

Do zestawu dołączono 2 rodzaje elementów dystansowych. Ważne jest użycie właściwego rodzaju elementu dystansowego w zależności od typu wybranej sprężyny.

	<p>Elementy dystansowe bez oznaczeń kolorystycznych (i ze żłobieniami)</p> <p>Przeznaczone do następujących sprężyn: Biała F10 Szara F15 Czarna F20</p>
	<p>Elementy dystansowe z czerwonymi oznaczeniami (i bez żłobień)</p> <p>Specjalnie zaprojektowane do następujących sprężyn: Czerwona F30</p>

Ramiona i stopki pedałów



- 9 Metalowe ramię pedału z 4 otworami
- 10 Plastikowa podpórka stopki pedału z 4 otworami (do umieszczenia między stopką i ramieniem pedału)
- 11 Metalowe stopki pedałów (z różną liczbą otworów: (9 w pedale przyspieszenia oraz po 6 w pedałach hamulca i sprzęgła)

PROGRAM DO KALIBRACJI

⚠ BARDZO WAŻNE ⚠

Tę procedurę należy koniecznie wykonać w przypadku zmiany oporu pedału hamulca.

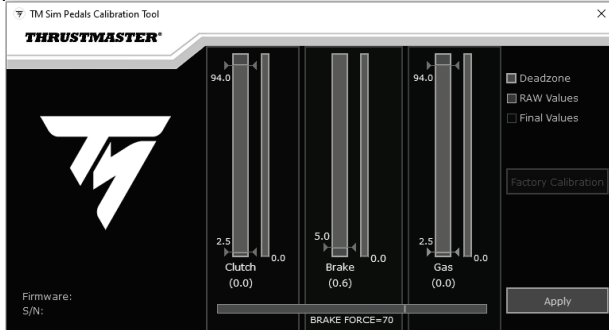
Podłącz zestaw pedałów do komputera za pomocą kabla USB (1).

Podczas tej procedury do zestawu pedałów nie może być podłączony kabel RJ12 (2).

Wejdź na stronę <https://support.thrustmaster.com>. Kliknij **Racing Wheels** (Kierownice wyścigowe) / **T-LCM Pedals**, a następnie wybierz **Software** (Oprogramowanie).

Pobierz i zainstaluj program do kalibracji:

- Aby móc indywidualnie dostosować strefy martwe na początku zakresu ruchu wszystkich trzech pedałów.
- Aby móc indywidualnie dostosować strefy martwe na końcu zakresu ruchu pedału przyspieszenia i pedału sprzęgła.
- Aby móc indywidualnie dostosować siłę sterowaną elektronicznie (Brake Force) w pedale hamulca.



Po odpowiednim skonfigurowaniu poszczególnych ustawień kliknij **APPLY**, a następnie odłącz kabel USB (1). Ustawienia zostaną zapisane w pamięci wewnętrznej zestawu pedałów i będą obowiązywać we wszystkich grach — na komputerze i konsolach do gier.

AKTUALIZOWANIE OPROGRAMOWANIA SPRZĘTOWEGO ZESTAWU PEDAŁÓW

Aby można było zaktualizować oprogramowanie sprzętowe, zestaw pedałów musi być podłączony do komputera przy użyciu kabla USB (1).

Oprogramowanie sprzętowe zawarte w zestawie pedałów można aktualizować do nowszych wersji zawierających ulepszenia produktu.

Wersja oprogramowania sprzętowego jest wyświetlana w lewym dolnym rogu programu do kalibracji.

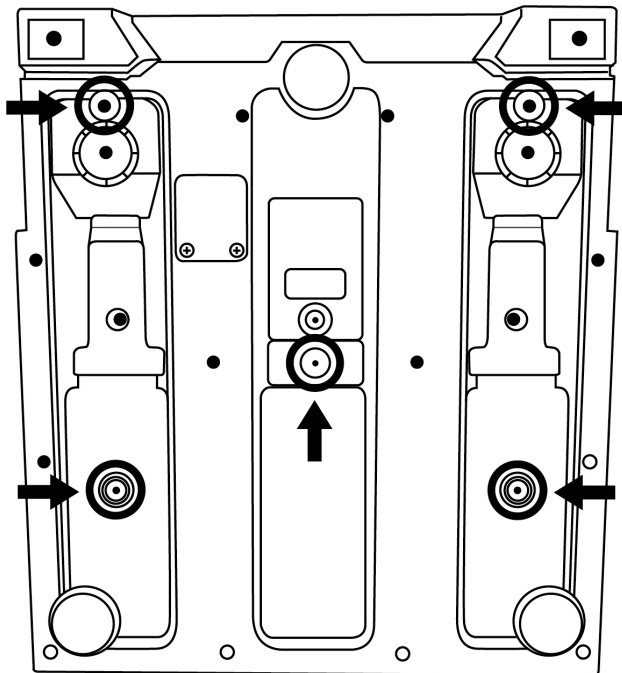
Aby zaktualizować oprogramowanie sprzętowe zestawu pedałów: na komputerze wejdź na stronę <https://support.thrustmaster.com>, kliknij **Racing Wheels** (Kierownice wyścigowe) / **T-LCM Pedals**, a następnie wybierz **Firmware** (Oprogramowanie sprzętowe) oraz postępuj zgodnie z instrukcjami i procedurą pobierania i instalacji.

MOCOWANIE ZESTAWU PEDAŁÓW DO PODPORY LUB KOKPITU

Zestaw pedałów można przymocować do jednej z wielu zgodnych z nim podpór i wsporników (do nabycia osobno), korzystając z otworów z gwintem M6 znajdujących się pod podstawą urządzenia. W tym celu należy włożyć co najmniej dwie śruby M6 (do nabycia osobno) przez półkę podpory do gwintowanych otworów znajdujących się pod podstawą zestawu pedałów.



Ważne: długość śrub M6 nie może przekraczać grubości podpory o więcej niż 12 mm, ponieważ dłuższe śruby stwarzają ryzyko uszkodzenia elementów wewnętrznych zestawu pedałów.



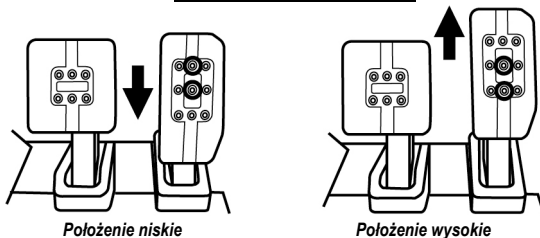
Diagramy ułatwiające ustawienie zestawu pedałów w kokpicie lub na podporze są dostępne na stronie <https://support.thrustmaster.com>: kliknij **Racing Wheels** (Kierownice wyścigowe) / **T-LCM Pedals**, a następnie **Template — Cockpit setup** (Szablon — ustawienie w kokpicie).

USTAWIENIA MECHANICZNE ZESTAWU PEDAŁÓW

Regulacja wysokości pedałów

- Za pomocą dostarczonego klucza imbusowego 2,5 mm (7) odkręć dwie śruby przytrzymujące metalową stopkę pedału (11) i jej plastikową podpórkę (10).
- Wybierz położenie odpowiadające preferowanej wysokości, a następnie ponownie skręć wszystkie elementy śrubami.

Przykłady — pedał przyspieszenia:



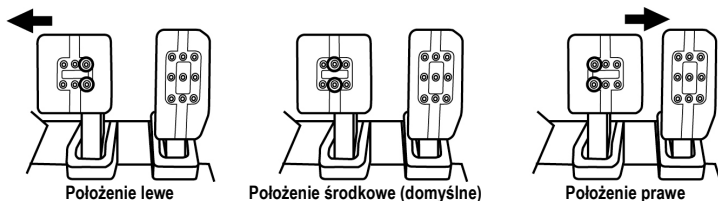
Liczba różnych ustawień wysokości w poszczególnych pedałach:

- 3 w przypadku pedału przyspieszenia
- 2 w przypadku pedału hamulca
- 2 w przypadku pedału sprzęgła

Regulacja odległości między trzema pedałami

- Za pomocą dostarczonego klucza imbusowego 2,5 mm (7) odkręć dwie śruby przytrzymujące metalową stopkę pedału (11) i jej plastikową podpórkę (10).
- Wybierz preferowane położenie (z lewej strony, na środku lub z prawej strony), a następnie ponownie skręć wszystkie elementy śrubami.

Przykłady — pedał hamulca:



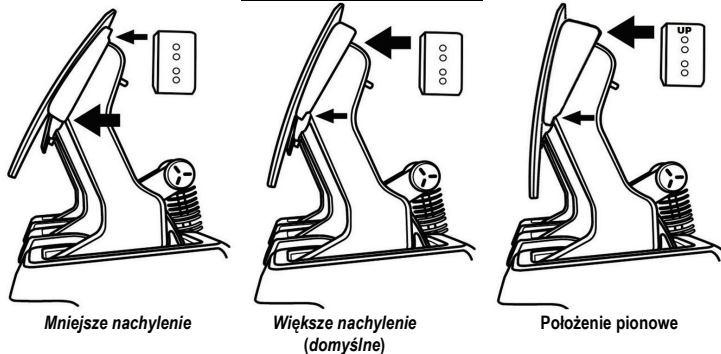
Liczba różnych ustawień odległości w poszczególnych pedałach:

- 3 w przypadku pedału przyspieszenia
- 3 w przypadku pedału hamulca
- 3 w przypadku pedału sprzęgła

Regulacja nachylenia pedałów

- Za pomocą dostarczonego klucza imbusowego 2,5 mm (7) odkręć dwie śruby przytrzymujące metalową stopkę pedału (11) i jej plastikową podpórkę (10).
- Następnie obróć plastikową podpórkę stopki pedału (10) o 180° (lub ją zmień), a potem ponownie skręć wszystkie elementy śrubami.

Przykłady — pedał przyspieszenia:



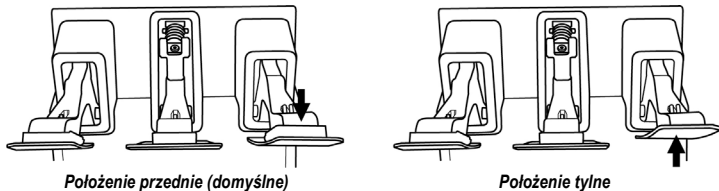
Liczba różnych ustawień nachylenia w poszczególnych pedałach:

- 3 w przypadku pedału przyspieszenia
- 3 w przypadku pedału hamulca
- 3 w przypadku pedału sprzęgła

Regulacja wyrównania pedałów

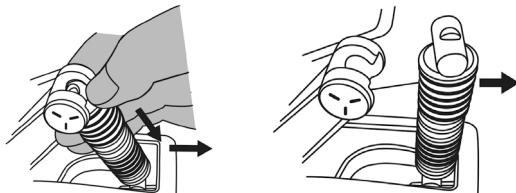
- Zamontuj plastikową podpórkę stopki pedału (10), aby przesunąć pedał do przodu.
- Zdemontuj plastikową podpórkę stopki pedału (10), aby przesunąć pedał do tyłu.

Przykłady — pedał przyspieszenia:

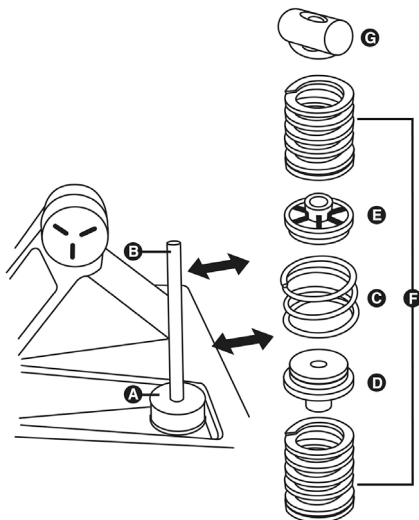


Zmiana oporu pedału hamulca

- Odcłóż zestaw pedałów od komputera lub konsoli do gier, a następnie naciśnij mocno podkładkę górnej głowicy zabezpieczającej (G) (umiejscowionej z tyłu pedału) i pociągnij ten element do tyłu, aby odłączyć go od metalowego ramienia.



- Zdejmij poszczególne elementy z kołka montażowego (B).



A Czujnik siły Load Cell

! Nie wolno go zdejmować z kołka montażowego!

B Kołek montażowy kolumny sprężyn

C Środkowa 4-zwojowa chromowana sprężyna ściskania wstępnego

D Gumowy element dystansowy

E Plastikowy element dystansowy

F 7-zwojowe sprężyny główne
(F10, F15, F20, F30)

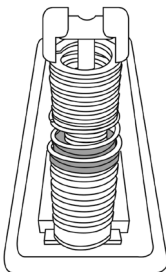
G Górna głowica zabezpieczająca z podkładką

Opór pedału hamulca można regulować przez wymianę lub zmianę położenia sprężyn głównych F.

Kolor sprężyny F	Opór sprężyny
BIAŁY (1 szt. w zestawie)	F10
SZARY (1 szt. w zestawie)	F15
CZARNY (1 szt. w zestawie)	F20
CZERWONY (2 szt. w zestawie)	F30

- Zmień położenie wybranych elementów i sprężyn głównych (F10, F15, F20 lub F30) (oraz odpowiednich elementów dystansowych) na kołku montażowym.

Przykład	Opór
1 biała sprężyna F10 + 1 szara sprężyna F15	Mały opór
1 szara sprężyna F15 + 1 czarna sprężyna F20 (zainstalowane domyślnie)	Średni opór
2 czerwone sprężyny F30	Duży opór



Zachęcamy do łączenia i testowania różnych sprężyn (możliwych jest wiele kombinacji) w celu znalezienia optymalnego stopnia oporu.

Po zmianie oporu podłącz zestaw pedałów do komputera przy użyciu kabla USB (1), a następnie przeprowadź nową kalibrację pedału hamulca za pomocą programu do kalibracji. Wyniki tej nowej kalibracji (odpowiadające nowemu oporowi pedału hamulca) zostaną automatycznie zapisane w pamięci wewnętrznej zestawu pedałów i będą obowiązywać we wszystkich grach na komputerze i konsolach do gier.

▲ BARDZO WAŻNE ▲

Domyślna kalibracja zestawu pedałów w fabryce jest wykonywana z jedną szarą sprężyną F15 i jedną czarną sprężyną F20 (średni opór). W przypadku zmiany sprężyn (a zatem również oporu pedału hamulca) musisz przeprowadzić ponowną kalibrację pedału hamulca za pomocą programu do kalibracji na komputerze: w przeciwnym razie pedał hamulca nie będzie działał prawidłowo na komputerze lub konsoli do gier.

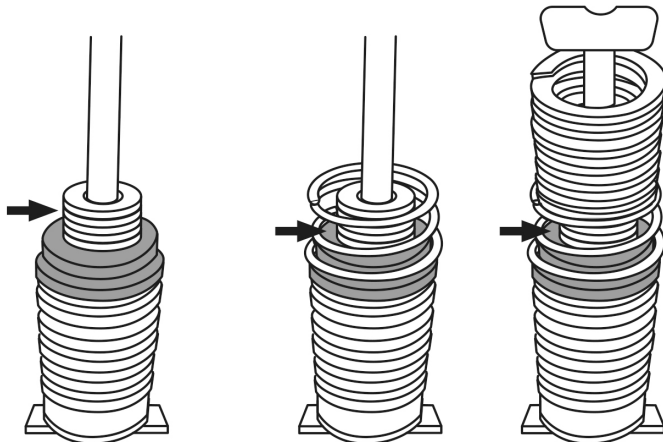
Zmniejszanie lub eliminowanie ściskania wstępnego w pedale hamulca

Użytkownicy preferujący bardziej liniowy opór podczas hamowania mogą dodatkowo zmniejszyć lub wyeliminować efekt ściskania wstępnego chromowanej sprężyny środkowej (C).

W tym celu należy nasunąć od 1 do 5 podkładek płaskich (8) na kolek montażowy wewnątrz środkowej chromowanej sprężyny ściskania wstępnego (C).

Uwaga: Im więcej podkładek płaskich założysz, tym bardziej zmniejszysz efekt ściskania wstępnego (a w przypadku założenia wszystkich 5 podkładek całkowicie go wyeliminujesz).

Przykład wyeliminowania ściskania wstępnego przez użycie wszystkich 5 podkładek płaskich:



Ważne:

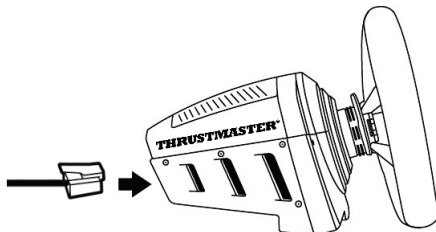
Założenie podkładek płaskich doprowadzi także do ograniczenia przesuwu mechanicznego pedału hamulca.

UŻYWANIE ZESTAWU PEDAŁÓW Z PODSTAWĄ KIEROWNICY WYŚCIGOWEJ THRUSTMASTER

= WYMAGANY KABEL RJ12 (2)

(Podczas tego rodzaju użytkowania do zestawu pedałów nie może być podłączony kabel USB (1)).

ZGODNOŚĆ: PC I KONSOLE DO GIER



⚠ BARDZO WAŻNE ⚠

Aby zapewnić optymalne działanie zestawu pedałów podłączonego bezpośrednio do podstawy kierownicy wyścigowej Thrustmaster (TS-PC Racer, T-GT, T300, T150, TS-XW, TX lub TMX), należy zaktualizować oprogramowanie sprzętowe podstawy kierownicy do najnowszej wersji dostępnej na stronie <https://support.thrustmaster.com>. Nowe oprogramowanie sprzętowe pozwoli maksymalnie wykorzystać wysoką precyzję zestawu pedałów T-LCM Pedals oraz używać osobistych ustawień określonych w programie do kalibracji.

- Po zaktualizowaniu oprogramowania sprzętowego podstawy kierownicy Thrustmaster podłącz zestaw pedałów z tyłu podstawy kierownicy przy użyciu kabla RJ12 (2).
- Podłącz kierownicę do komputera lub konsoli do gier.
- Dioda **MODE** na podstawie kierownicy mignie 5 razy, sygnalizując prawidłową konfigurację zestawu pedałów pod kątem optymalnego działania.

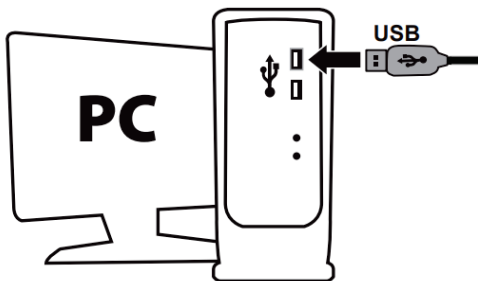
Jeśli dioda **MODE** nie mignie w wyżej opisany sposób, będzie to oznaczać, że oprogramowanie sprzętowe podstawy kierownicy nie zostało zaktualizowane do najnowszej wersji oraz że zestaw pedałów nie jest rozpoznawany jako bardzo precyzyjny zestaw **T-LCM Pedals**, lecz jako zwykły zestaw pedałów typu **T3PA** lub **T3PA PRO**.

TERAZ MOŻESZ ZACZAĆ GRAĆ!

Uwaga: W tej konfiguracji na podstawie kierownicy musi być zainstalowane oficjalne koło kierownicy Thrustmaster. W przeciwnym razie zestaw pedałów nie zostanie rozpoznany jako bardzo precyzyjny zestaw **T-LCM Pedals**.

UŻYWANIE ZESTAWU PEDAŁÓW Z KIEROWNICĄ WYŚCIGOWĄ INNĄ NIŻ THRUSTMASTER
(MOŻLIWE TAKŻE Z PODSTAWĄ KIEROWNICY WYŚCIGOWEJ THRUSTMASTER)
= WYMAGANY KABEL USB (1)

ZGODNOŚĆ: TYLKO PC



- Podłącz zestaw pedałów za pomocą kabla USB (1) do jednego z portów USB w komputerze i przeprowadź instalację sterowników.
- Po ukończeniu instalacji sterowników kliknij **Finish** i uruchom ponownie komputer.

TERAZ MOŻESZ ZACZAĆ GRAĆ!

Uwagi dotyczące podłączenia zestawu pedałów do komputera przy użyciu kabla USB:

- Zestaw pedałów jest zgodny ze wszystkimi kierownicami wyścigowymi dostępnymi na rynku w grach obsługujących połączenie typu multi-USB i odrębne zestawy pedałów.
- Pamiętaj, aby zawsze przed uruchomieniem gry całkowicie zamknąć okno **Kontrolery gier** (przez kliknięcie **OK**) oraz program do kalibracji zestawu pedałów.
- Wersja oprogramowania sprzętowego zestawu pedałów jest wyświetlana w lewym dolnym rogu programu do kalibracji.

JAK PODŁĄCZYĆ ZESTAW PEDAŁÓW W ZALEŻNOŚCI OD UŻYWANEJ KIEROWNICY WYŚCIGOWEJ I PLATFORMY — W SKRÓCIE

	Podłączenie zestawu pedałów
Na KONSOLI DO GIER z KIEROWNICĄ WYŚCIGOWĄ THRUSTMASTER	Kabel RJ12 (2)
Na KOMPUTERZE PC z KIEROWNICĄ WYŚCIGOWĄ THRUSTMASTER	Kabel RJ12 (2) lub kabel USB (1)
Na KOMPUTERZE PC z kierownicą wyścigową inną niż Thrustmaster	Kabel USB (1)

OSTRZEŻENIE



Ze względów bezpieczeństwa zestawu pedałów nie wolno używać w bosych stopach ani samych skarpetach.

FIRMA THRUSTMASTER® NIE PONOSI ŻADNEJ ODPOWIEDZIALNOŚCI ZA EWENTUALNE OBRAŻENIA CIAŁA WYNIKŁE Z UŻYWANIA ZESTAWU PEDAŁÓW BEZ OBUWIA.



Ostrzeżenie — ryzyko porażenia prądem elektrycznym

- * Przechowuj urządzenie w suchym miejscu i nie wystawiaj go na działanie kurzu ani światła słonecznego.
- * Dbaj o właściwy kierunek połączeń.
- * Nie skręcaj ani nie naciągaj złączy ani kabli.
- * Nie wylewaj cieczy na urządzenie ani jego złącza.
- * Nie zwieraj urządzenia.
- * Nie demontuj urządzenia (poza ewentualnymi czynnościami regulacyjnymi opisanymi w tej instrukcji). Nie wrzucaj go do ognia ani nie narażaj na działanie wysokich temperatur.



Ostrzeżenie — ryzyko obrażeń ciała spowodowanych powtarzalnymi ruchami

Granie za pomocą zestawu pedałów może doprowadzić do bólu mięśni lub stawów. W celu uniknięcia problemów:

- * Unikaj grania przez długi czas (po każdej godzinie grania rób 10–15 minut przerwy).
- * Jeśli odczuwasz zmęczenie lub ból nóg albo stóp, przerwij grę, a przed jej ponownym rozpoczęciem odpocznij kilka godzin.
- * Jeśli po ponownym rozpoczęciu gry opisane powyżej objawy lub ból powrócą, przerwij grę i skonsultuj się z lekarzem.



Ostrzeżenie — ryzyko przytrzaśnięcia przez pedały podczas gry

- * Trzymaj zestaw pedałów z dala od dzieci.
- * Podczas grania nigdy nie kładź palców dłoni (ani innych części ciała) na ramionach pedałów ani nie zbliżaj ich do tych elementów.

NIGDY



PORADY I WSKAZÓWKI (niezamieszczone w tej instrukcji)

Różne porady i wskazówki są dostępne na stronie <https://support.thrustmaster.com>: kliknij **Racing Wheels** (Kierownice wyścigowe) / **T-LCM Pedals**.

INFORMACJE DOTYCZĄCE GWARANCJI DLA KLIENTA

Firma Guillemot Corporation S.A. z siedzibą pod adresem Place du Granier, B.P. 97143, 35571 Chantepie, Francja („Guillemot”) udziela klientowi obowiązującej na całym świecie gwarancji, że niniejszy produkt Thrustmaster będzie wolny od wad materiałowych i produkcyjnych przez okres gwarancji równy limitowi czasu, w którym klient może występować z roszczeniami z tytułu wad niniejszego produktu. W krajach Unii Europejskiej jest to okres dwóch (2) lat od dostarczenia produktu Thrustmaster. W innych krajach okres gwarancji jest równy limitowi czasu, w którym klient może występować z roszczeniami z tytułu wad produktu Thrustmaster zgodnie z przepisami obowiązującymi w kraju, w którym klient mieszkał w dniu zakupu produktu Thrustmaster. (Jeśli przepisy danego kraju nie przewidywają występowania z takimi roszczeniami, okres gwarancji będzie wynosił jeden (1) rok od pierwotnej daty zakupu produktu Thrustmaster).

Jeśli w okresie gwarancji wystąpią objawy mogące świadczyć o wadzie produktu, należy niezwłocznie skontaktować się z działem pomocy technicznej, który wskaże dalszy sposób postępowania. W razie potwierdzenia wady produkt należy zwrócić w punkcie zakupu (lub innym miejscu wskazanym przez dział pomocy technicznej).

W ramach niniejszej gwarancji wadliwy produkt zostanie wymieniony lub przywrócony do stanu sprawności użytkowej, zgodnie z decyzją działu pomocy technicznej. Jeśli w okresie gwarancji produkt Thrustmaster zostanie poddany czynnościom mającym na celu przywrócenie go do stanu użytkowego, dowolny okres co najmniej siedmiu (7) dni, podczas których produkt nie jest użytkowany, zostanie dodany do pozostałego okresu gwarancji (okres ten liczy się od dnia, w którym klient poprosi o interwencję, lub od dnia, w którym dany produkt zostanie udostępniony celem przywrócenia do stanu użytkowego, jeśli data udostępnienia celem przywrócenia do stanu użytkowego następuje po dacie próby o interwencję). Jeśli zezwala na to obowiązujące prawo, całkowita odpowiedzialność firmy Guillemot i jej podmiotów zależnych (łącznie z odpowiedzialnością za szkody wtórne) ogranicza się do przywrócenia do stanu użytkowego lub wymiany produktu Thrustmaster. Jeśli zezwala na to obowiązujące prawo, firma Guillemot wyłącza wszelkie gwarancje pokupności i przydatności do określonego celu.

Niniejsza gwarancja nie obowiązuje: (1) w przypadku, gdy produkt został zmodyfikowany, otwarty, zmieniony albo uszkodzony na skutek nieodpowiedniego lub nadmiernego użytkowania, niedbałości, wypadku, normalnego zużycia lub z innego powodu niezwiązanego z wadą materiałową ani produkcyjną (w tym między innymi z powodu połączenia produktu Thrustmaster z nieodpowiednim elementem, w tym w szczególności z zasilaczem, akumulatorem, ładowarką lub jakimkolwiek innym elementem niedostarczonym przez firmę Guillemot dla tego produktu); (2) w przypadku używania produktu w sposób inny niż użytek domowy, w tym do celów zawodowych lub komercyjnych (na przykład w salonach gier albo do prowadzenia szkoleń lub zawodów); (3) w razie nieprzebrzegania instrukcji podanych przez dział pomocy technicznej; (4) w odniesieniu do oprogramowania, jako że oprogramowanie to jest objęte odrębną szczegółową gwarancją; (5) w odniesieniu do materiałów eksploatacyjnych (elementów wymienianych w czasie eksploatacji produktu, na przykład baterii jednorazowych, muszli/nakładek na uszy do zestawów słuchawkowych lub słuchawek); (6) w odniesieniu do akcesoriów (na przykład kabli, pokrowców, etui, torebek, pasków na rękę); (7) w przypadku sprzedania produktu na aukcji publicznej.

Niniejsza gwarancja nie podlega przeniesieniu.

Niniejsza gwarancja nie wpływa na prawa klienta wynikające z przepisów dotyczących sprzedaży dóbr konsumenckich w kraju klienta.

Dodatkowe postanowienia gwarancyjne

W okresie gwarancji firma Guillemot zasadniczo nie udostępnia jakichkolwiek części zamiennych, ponieważ jedynym podmiotem upoważnionym do otwarcia jakiegokolwiek produktu Thrustmaster i/lub przywrócenia go do stanu użytkowego jest dział pomocy technicznej (oprócz ewentualnych procedur przywracania produktu do stanu użytkowego, o wykonanie których dział pomocy technicznej może poprosić klienta przez przekazanie pisemnych instrukcji — np. ze względu na prostotę i jawność procesu przywracania do stanu użytkowego — oraz, w razie potrzeby, przez udostępnienie klientowi wymaganych części zamiennych).

Ze względu na realizowane cykle innowacji oraz konieczność zapewnienia ochrony swojej specjalistycznej wiedzy i tajemnic handlowych firma Guillemot zasadniczo nie udostępnia powiadomień dotyczących przywracania do stanu użytkowego ani części zamiennych w przypadku produktów Thrustmaster, których okres gwarancji upłynął.

Odpowiedzialność

Jeśli zezwala na to obowiązujące prawo, firma Guillemot Corporation S.A. („Guillemot”) i jej podmioty zależne nie ponoszą żadnej odpowiedzialności za szkody spowodowane przez co najmniej jeden z następujących czynników: (1) modyfikację lub otwarcie produktu bądź wprowadzenie w nim zmian; (2) nieprzestrzeganie instrukcji montażu; (3) nieodpowiednie lub nadmierne użytkowanie, niedbałość, wypadek (na przykład uderzenie); (4) normalne zużycie; (5) używanie produktu w sposób inny niż użytek domowy, w tym do celów zawodowych lub komercyjnych (na przykład w salonach gier albo do prowadzenia szkoleń lub zawodów). Jeśli zezwala na to obowiązujące prawo, firma Guillemot i jej podmioty zależne nie ponoszą żadnej odpowiedzialności za szkody niezwiązane z wadą materiałową lub produkcyjną produktu (w tym między innymi za szkody spowodowane bezpośrednio lub pośrednio przez jakiekolwiek oprogramowanie lub na skutek połączenia produktu Thrustmaster z nieodpowiednim elementem, w tym w szczególności z zasilaczem, akumulatorem, ładowarką lub jakimkolwiek innym elementem niedostarczonym przez firmę Guillemot dla tego produktu).

THRUSTMASTER®

WSPARCIE TECHNICZNE

<https://support.thrustmaster.com>



PRAWA AUTORSKIE

© 2019 Guillemot Corporation S.A. Wszelkie prawa zastrzeżone. Thrustmaster® jest zastrzeżonym znakiem towarowym firmy Guillemot Corporation S.A. PlayStation® jest zastrzeżonym znakiem towarowym firmy Sony Interactive Entertainment Inc. Windows® jest zastrzeżonym znakiem towarowym firmy Microsoft Corporation w USA i/lub innych krajach. Wszystkie inne znaki towarowe i nazwy marek są za takie uznawane i stanowią własność odpowiednich podmiotów. Ilustracje nie są wiążące prawnie. Treść, wzory i dane techniczne mogą ulec zmianie bez powiadomienia i mogą różnić się w zależności od kraju. Wyprodukowano w Chinach.

ZALECENIE DOTYCZĄCE OCHRONY ŚRODOWISKA



Na terenie Unii Europejskiej: gdy okres przydatności produktu do eksploatacji dobiegnie końca, produktu nie należy pozbywać się wraz ze zwykłymi odpadami z gospodarstwa domowego, ale oddać do recyklingu w punkcie zbiórki zużytego sprzętu elektrycznego i elektronicznego. Potwierdza to symbol znajdujący się na produkcie, w instrukcji obsługi lub na opakowaniu.

Zależnie od swoich właściwości materiały zawarte w produkcie mogą nadawać się do recyklingu. Dzięki recyklingowi i innym formom utylizacji zużytych urządzeń elektrycznych i elektronicznych klient może w znacznym stopniu przyczynić się do

ochrony środowiska. Aby uzyskać informacje o najbliższych punktach zbiórki odpadów, należy skontaktować z miejscowymi władzami.

We wszystkich innych krajach: należy przestrzegać miejscowych przepisów dotyczących recyklingu sprzętu elektrycznego i elektronicznego.

Niniejsze informacje należy zachować. Kolorystyka i elementy ozdobne mogą różnić się od przedstawionych.

Przed korzystaniem z produktu należy zdjąć z niego plastikowe elementy mocujące oraz naklejki.

www.thrustmaster.com

**Dotyczy wyłącznie UE i Turcji*



T-LCM PEDALS

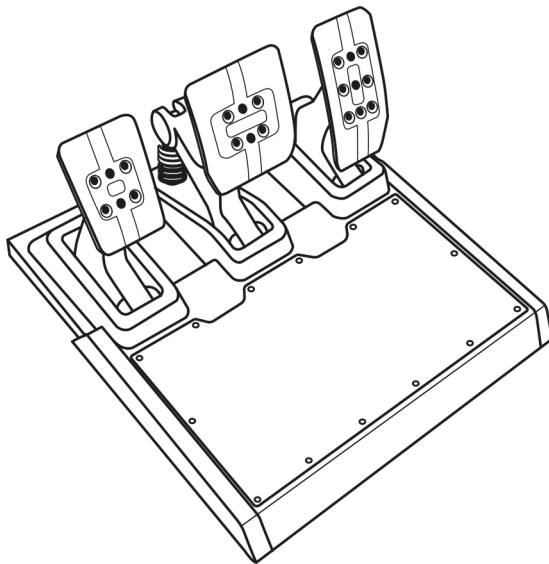
LOAD CELL & MAGNETICS

PC – PlayStation®4 – Xbox One®

Bruksanvisning

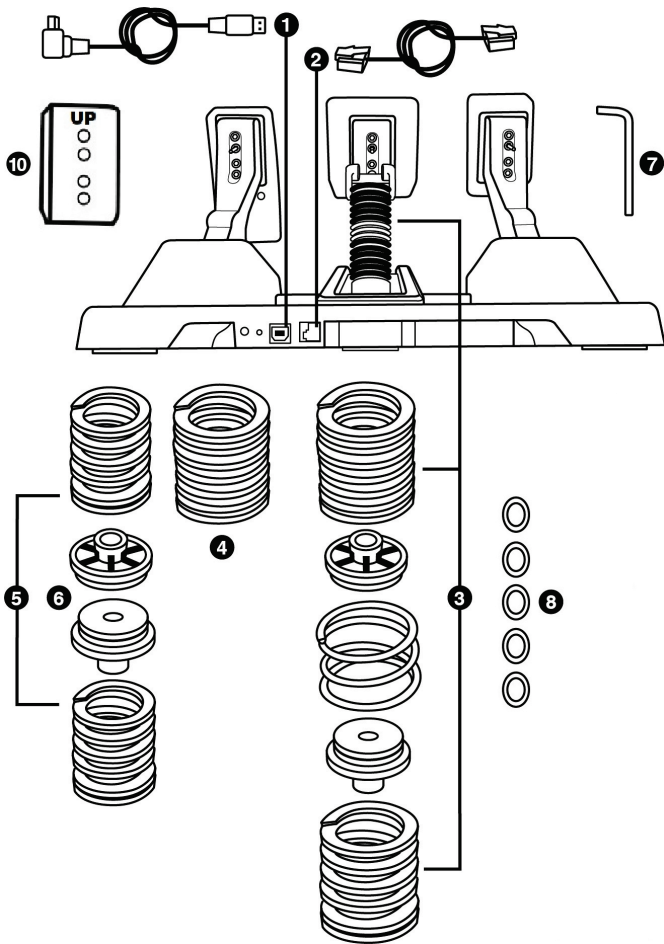


Läs igenom denna bruksanvisning noggrant innan du använder denna produkt och spara den för framtida bruk.



TEKNISKA DELAR

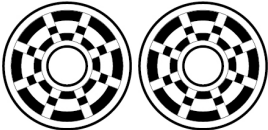

Allmän översikt



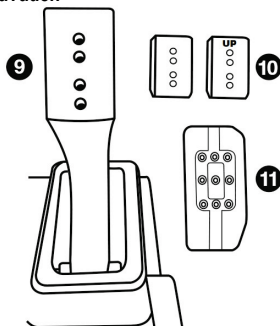
- 1 Löstagbar USB-kabel; USB-kontakt på baksidan av pedalsetet
- 2 Löstagbar RJ12-kabel; RJ12-kontakt på baksidan av pedalsetet
- 3 Måttligt motstånd, förinstallerat som standard
(En svart F20-fjäder + en grå F15-fjäder)
(+ en central förkromad spännfjäder)
(+ två distanser utan markeringar)
- 4 En vit F10-fjäder
- 5 Två röda F30-fjädrar
- 6 Två distanser med röda markeringar
(specifikt utformade för användning med de röda F30-fjädrarna)
- 7 2,5 mm insexnyckel
- 8 Fem planbrickor (för att minska eller eliminera förspänningen på den centrala förkromade fjädern)
- 10 Plaststöd till pedalhuvudet för vertikal lutning av pedalerna

Distanser

Två sorters distanser ingår. Det är viktigt att använda rätt typ av distans beroende på typen av fjäder man väljer.

	<p><u>Distanser utan färgmarkeringar</u> <u>(och med färor)</u></p> <p>För användning med följande fjädrar: Vit F10 Grå F15 Svart F20</p>
	<p><u>Distanser med röda markeringar</u> <u>(och utan färor)</u></p> <p>Specifikt utformade för användning med följande fjädrar: Röd F30</p>

Pedalarmar och pedalhuvuden



- 9 Metallpedalarm med fyra hål
- 10 Plaststöd för pedalhuvudet (som ska sättas mellan pedalhuvudet och pedalarmen) med fyra hål
- 11 Metallpedalhuvuden (med olika antal hål: nio för gaspedalen; sex för bromspedalen; sex för kopplingspedalen)

KALIBRERINGSPROGRAM

⚠ MYCKET VIKTIGT ⚠

Denna procedur måste följas när man ändrar bromspedalens motstånd.

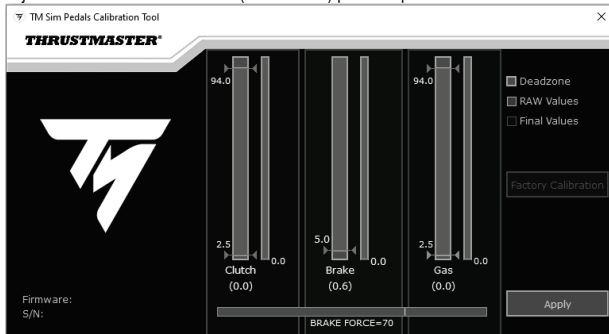
Anslut pedalsetet till en PC via den löstagbara USB-kabeln (1).

Den löstagbara RJ12-kabeln (2) får inte vara ansluten till pedalsetet vid denna typ av procedur.

Gå till <https://support.thrustmaster.com>. Klicka på **Rattar / T-LCM Pedals**, och välj sedan **Programvara**.

Ladda ner och installera kalibreringsprogrammet:

- För att justera dödzonerna i början av rörelseområdet på alla tre pedalerna som du vill.
- För att justera dödzonerna i slutet av rörelseområdet på gaspedalen och kopplingspedalen som du vill.
- För att justera den elektroniska kraften (Brake Force) på bromspedalen som du vill.



När de olika inställningarna har konfigurerats klickar du på **APPLY** och fränkopplar den löstagbara USB-kabeln (1). Inställningarna sparas i pedalsetets interna minne: de kommer att vara aktiverade i alla dina spel, på PC och spelkonsoler.

UPPDATERA PEDALSETETS FIRMWARE

För att uppdatera firmwaresen måste pedalsetet vara anslutet till en PC via den löstagbara USB-kabeln (1).

Firmwaren i pedalsetet kan uppdateras med nyare versioner för att göra produkten ännu bättre.

Firmwareversionen visas i det nedre vänstra hörnet av kalibreringsprogrammet.

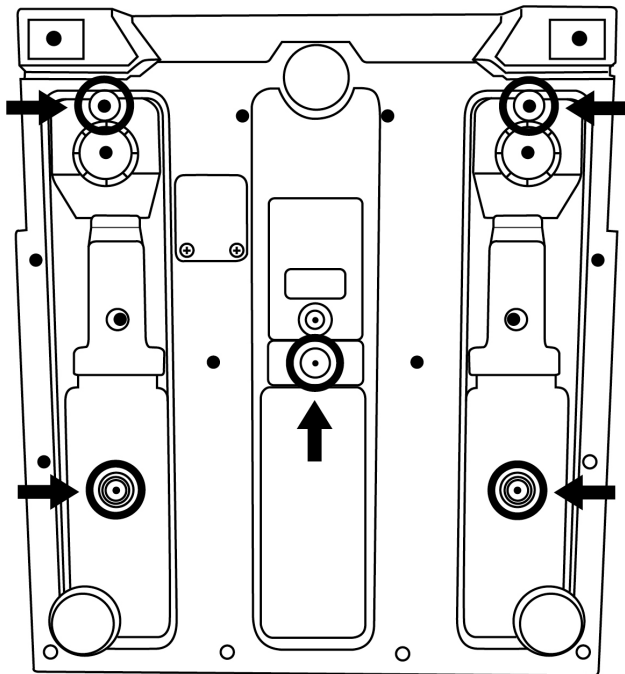
För att uppdatera pedalsetets firmware: på PC, gå till <https://support.thrustmaster.com>, klicka på **Rattar / T-LCM Pedals**, och välj sedan **Firmware** och följ instruktionerna samt nedladdnings- och installationsproceduren.

MONTERA PEDALSETET PÅ ETT STÖD ELLER EN COCKPIT

Pedalsetet kan monteras på en mängd olika kompatibla stöd (säljs separat) med hjälp av de fem M6-skruvgängorna på undersidan av basen. För att göra detta skruvar du minst två M6-skrudar (ingår ej) genom stödhyllan och in i skruvängorna på undersidan av pedalsetets bas.



Viktigt: för att undvika att skada pedalsetets interna komponenter får längden på M6-skrivarerna inte överstiga tjockleken på stödet med mer än 12 mm.



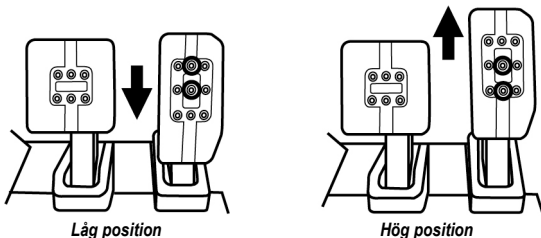
Pedalsetets installationsdiagram för cockpits och andra stöd finns på <https://support.thrustmaster.com>: klicka på Rattar / T-LCM Pedals, och sedan Mall - Cockpitinstallation.

MEKANISKA INSTÄLLNINGAR FÖR PEDALSETET

Justera höjden på pedalerna

- Använd den medföljande 2,5 mm insexnyckeln (7) och skruva loss de två skruvarna som håller metallpedalhuvudet (11) och dess plaststöd (10) på plats.
- Välj önskad höjd och sätt sedan fast allting igen med skruvarna.

Exempel med gaspedalen:



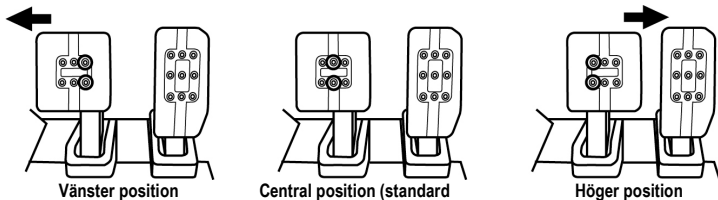
Antal olika höjdlägen per pedal:

- Tre för gaspedalen
- Två för bromspedalen
- Två för kopplingspedalen

Justera mellanrummet mellan de tre pedalerna

- Använd den medföljande 2,5 mm insexnyckeln (7) och skruva loss de två skruvarna som håller metallpedalhuvudet (11) och dess plaststöd (10) på plats.
- Välj önskad position (till vänster, centralt eller till höger) och sätt sedan fast allting igen med skruvarna.

Exempel med bromspedalen:



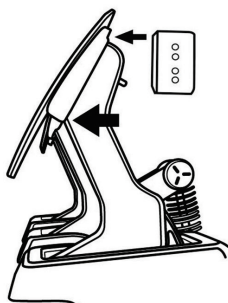
Antal olika mellanrumslägen per pedal:

- Tre för gaspedalen
- Tre för bromspedalen
- Tre för kopplingspedalen

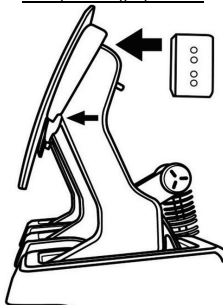
Justera lutningen på pedalerna

- Använd den medföljande 2,5 mm insexnyckeln (7) och skruva loss de två skruvarna som håller metallpedalhuvudet (11) och dess plaststöd (10) på plats.
- Vrid nu pedalhuvudets plaststöd (10) 180° (eller byt ut det) och sätt sedan fast allting igen med skruvarna.

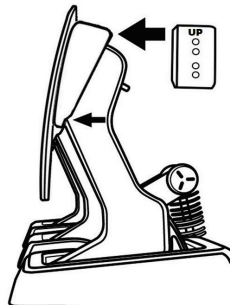
Exempel med gaspedalen:



Mindre lutad position



Mer lutad position
(standard)



Vertikal position

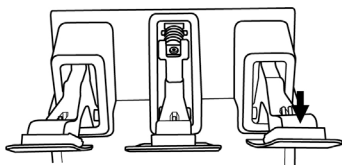
Antal olika lutningslägen per pedal:

- Tre för gaspedalen
- Tre för bromspedalen
- Tre för kopplingspedalen

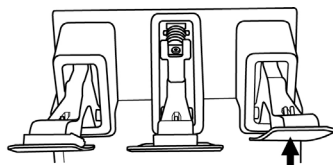
Justera inriktningen på pedalerna

- Installera pedalhuvudets plaststöd (10) för att flytta en pedal framåt.
- Ta bort pedalhuvudets plaststöd (10) för att flytta en pedal bakåt.

Exempel med gaspedalen:



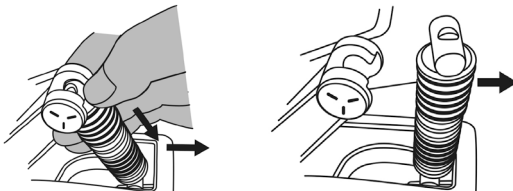
Främre position (standard)



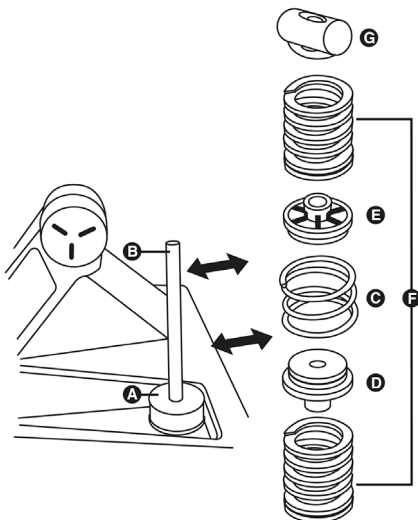
Bakre position

Ändra bromspedalens motstånd

- Frånkoppla pedaletet från PC:n eller spelkonsolen och tryck ordentligt ned brickan på det övre låshuvudet (G) (baktill på pedalen). Dra sedan denna komponent bakåt för att lösgöra den från metallarmen.



- Ta bort de olika delarna från hållstången (B).



A Load Cell-trycksensor

▲ Ska aldrig tas bort från hållstången!

B Hållstång för fjäderkolumnen

C Central 4-spiralig förkromad spännfjäder

D Gummidistans

E Plastdistans

F 7-spiraliga huvudfjädrar (F10, F15, F20, F30)

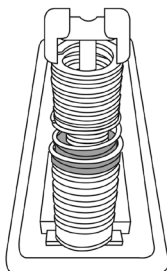
G Övre låshuvud med bricka

Bromspedalens motstånd kan justeras genom att byta ut eller blanda F-fjädrarna:

Färg på F-fjäder	Fjädermotstånd
VIT (en ingår)	F10
GRÅ (en ingår)	F15
SVART (en ingår)	F20
RÖD (två ingår)	F30

- Byt plats på de olika delarna och huvudfjädrarna (F10, F15, F20 eller F30) som du vill (tillsammans med lämpliga brickor) på hållstäng.

Exempel	Motstånd
En vit F10-fjäder + en grå F15-fjäder	Svagt motstånd
En grå F15-fjäder + en svart F20-fjäder (installerat som standard)	Måttligt motstånd
Två röda F30-fjädrar	Starkt motstånd



Tveka inte att blanda och testa de olika fjädrarna (en rad olika kombinationer är möjliga) för att hitta det motstånd som passar dig bäst.

När du har ändrat motståndet ska du ansluta pedalsetet till en PC via den löstagbara USB-kabeln (1), och sedan göra en ny kalibrering av bromspedalen via kalibreringsprogrammet. Denna nya kalibrering (som motsvarar det nya bromspedalmotståndet) sparas automatiskt i pedalsetets interna minne och kommer att vara aktiverad i alla dina spel på PC och spelkonsoler.

▲ MYCKET VIKTIGT ▲

Pedalsetets standardkalibrering från fabriken görs med en grå F15-fjäder och en svart F20-fjäder (måttligt motstånd). Om du ändrar fjädrarna (och därför bromspedalens motstånd), måste du omkalibrera bromspedalen via kalibreringsprogrammet på PC: om du inte gör det kommer bromspedalen inte att fungera som den ska på PC eller spelkonsoler.

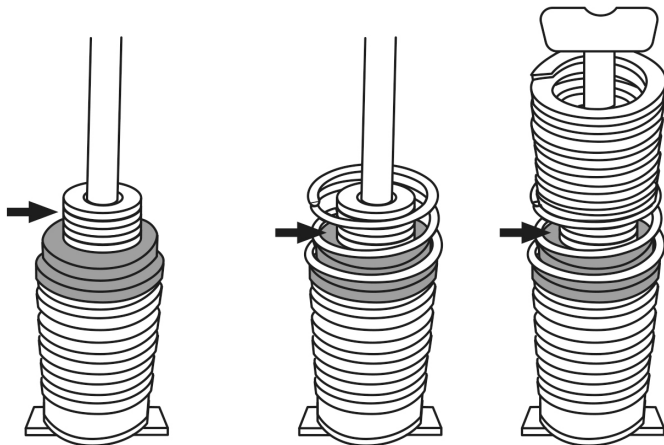
Minska eller eliminera bromspedalens förspänningseffekt

För användare som föredrar ett mer linjärt bromsmotstånd går det även att minska eller eliminera den centrala förkromade spännfjäders förspänningseffekt (C).

För att göra detta trär du på en till fem planbrickor (8) på hållstängens, i mitten av den centrala förkromade spännfjäders (C).

Obs: Ju fler planbrickor du lägger till, desto mer minskar förspänningseffekten (eller elimineras helt och hållet om du använder alla fem planbrickorna).

Exempel på eliminerad förspänningseffekt genom användning av alla fem planbrickorna:



Viktigt:

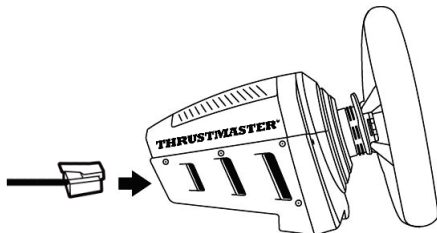
När du lägger till dessa planbrickor minskar även bromspedalens mekaniska rörelseområde.

ANVÄNDA PEDALSETET MED EN RACINGRATTBAS FRÅN THRUSTMASTER

= LÖSTAGBAR RJ12-KABEL (2) KRÄVS

(Den löstagbara USB-kabeln (1) får inte vara ansluten till pedalsetet vid denna typ av användning.)

KOMPATIBILITET: PC OCH SPELKONSOLER



⚠ MYCKET VIKTIGT ⚠

För att garantera optimal drift av pedalsetet vid direkt anslutning till en racingrattbas från Thrustmaster (TS-PC Racer, T-GT, T300, T150, TS-XW, TX och TMX), måste du uppdatera racingrattbasens firmware med den senaste versionen som finns på <https://support.thrustmaster.com>. Med denna nya firmware får du ut mesta möjliga av pedalsetet T-LCM Pedals höga precision och kan använda personliga inställningar via kalibreringsprogrammet.

- När racingrattbasens firmware har uppdaterats ansluter du pedalsetet där bak på racingrattbasen via den löstagbara RJ12-kabeln (2).
- Anslut racingratten till din PC eller spelkonsol.
- **MODE-lampan på racingrattens bas blinkar fem gånger för att ange att pedalsetet har känts igen och fungerar optimalt.**

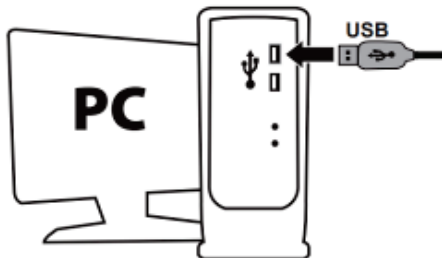
Om **MODE-lampan inte blinkar enligt ovan tyder detta på att racingrattens bas inte har uppdaterats med den senaste tillgängliga firmwares, och att pedalsetet inte känns igen som det mycket precisa pedalsetet T-LCM Pedals, utan snarare som ett vanligt pedalset som T3PA eller T3PA PRO.**

NU ÄR DU REDO ATT SPELA!

Obs: I denna konfiguration måste en officiell ratttring från Thrustmaster installeras på racingrattens bas. Om du inte gör detta kommer pedalsetet inte att kännas igen som det mycket precisa pedalsetet **T-LCM Pedals**.

**ANVÄNDA PEDALSETET MED ANDRA RACINGRATTAR
(ÄVEN MÖJLIGT MED EN RACINGRATTBAS FRÅN THRUSTMASTER)
= LÖSTAGBAR USB-KABEL (1) KRÄVS**

KOMPATIBILITET: ENBART PC



- Anslut pedalsetet till en USB-port på din PC via den löstagbara USB-kabeln (1) och slutför installationen av drivrutinerna.
- När drivrutinerna är installerade klickar du på **Finish** och startar om datorn.

NU ÄR DU REDO ATT SPELA!

Att ha i åtanke på PC när pedalsetet är anslutet via USB-kabeln:

- Pedalsetet är kompatibelt med alla racingrattar på marknaden i spel som stödjer flera USB-enheter samtidigt och separata pedalset.
- Kom ihåg att alltid stänga fönstret **Spelenheter** (genom att klicka på **OK**), liksom pedalsetets kalibreringsprogram, helt och hållet innan du startar ditt spel.
- Pedalsetets firmwareversion visas i det nedre vänstra hörnet av kalibreringsprogrammet.

ÖVERSIKT AV HUR MAN ANSLUTER PEDALSETET EFTER VILKEN RACINGRATT OCH PLATTFORM SOM ANVÄNDS

	Pedalsetanslutning
På SPELKONSOL med en RACINGRATT FRÅN THRUSTMASTER	Löstagbar RJ12-kabel (2)
På PC med en RACINGRATT FRÅN THRUSTMASTER	Löstagbar RJ12-kabel (2) eller löstagbar USB-kabel (1)
På PC med andra racingrattar	Löstagbar USB-kabel (1)

VARNING



Av säkerhetsskäl ska du aldrig använda pedasetet barfota eller när du bara har strumpor på fötterna.

THRUSTMASTER® FRÅNSÄGER SIG ALLT ANSVAR I HÄNDELSE AV SKADOR ORSAKADE AV ATT PEDALSETET ANVÄNDS UTAN SKOR.



Varning – Elektriska stötar

- * Förvara produkten på ett torrt ställe och utsätt den inte för damm eller solljus.
- * Sätt i kontakter på rätt sätt.
- * Vrid och dra inte i kontakter och kablar.
- * Spill inte vätskor på produkten eller dess kontakter.
- * Kortslut inte produkten.
- * Montera aldrig isär produkten (förutom vid eventuella justeringar som beskrivs i denna bruksanvisning). Kasta inte in produkten i eld och utsätt den inte för höga temperaturer.



Varning – Skador på grund av upprepande rörelser

Att spela med ett pedaset kan leda till muskel- eller ledvärk. För att undvika problem:

- * Undvik långa spelsessioner (ta pauser på 10 till 15 minuter efter varje timmes spelande).
- * Om du känner smärta eller trötthet i benen eller fötterna ska du sluta spela och vila i några timmar innan du börjar spela igen.
- * Om symtomen eller smärtorna som nämns ovan består när du fortsätter spela ska du sluta spela och kontakta din läkare.



Varning – Klämrisk när pedasetet används under spelsessioner

- * Håll pedasetet utom räckhåll för barn.
- * Under spelsessioner, ha aldrig fingrarna (eller andra delar av kroppen) på eller nära pedalarmarna.

ALDRIG



DIVERSE TIPS OCH TRICKS (ingår inte i denna bruksanvisning)

Diverse tips och tricks finns på <https://support.thrustmaster.com>: klicka på Rattar / T-LCM Pedals.

GARANTIINFORMATION

Guillemot Corporation S.A., med säte i Place du Granier, B.P. 97143, 35571 Chantepie, Frankrike (hädanefter "Guillemot") garanterar globalt för konsumenten att denna Thrustmaster-produkt ska vara fri från defekter i material och utförande, under en garantiperiod som motsvarar tidsgränsen för att vidta åtgärder mot Guillemot om konsumenten anser att produkten inte är fri från defekter i material och utförande. I länderna i Europeiska unionen motsvarar detta en period på två (2) år från leveransen av Thrustmaster-produkten. I andra länder motsvarar garantiperioden tidsgränsen för att vidta åtgärder mot Guillemot om konsumenten anser att Thrustmaster-produkten inte är fri från defekter i material och utförande enligt de lagar som gäller i landet där konsumenten var bosatt vid inköpsdatumet för Thrustmaster-produkten (om ingen sådan åtgärd existerar i det motsvarande landet ska garantiperioden vara ett (1) år från ursprungligt inköpsdatum av Thrustmaster-produkten).

Trots ovanstående omfattas laddningsbara batterier av en garantiperiod på sex (6) månader från ursprungligt inköpsdatum.

Om produkten skulle visa sig vara defekt under garantiperioden ska du genast kontakta tekniska supporten som då informerar om hur du går vidare. Om defekten bekräftas måste produkten returneras till inköpsstället (eller annat ställe angivet av tekniska supporten).

Inom ramen för denna garanti ska konsumentens defekta produkt, efter tekniska supportens gottfinnande, antingen ersättas eller repareras så att den fungerar. Om Thrustmaster-produkten under garantiperioden är föremål för sådan renovering, ska alla perioder på minst sju (7) dagar under vilka produkten inte kan användas läggas till återstående garantiperiod (denna period löper från det datum då konsumenten bad om service eller från det datum då produkten ifråga gjorts tillgänglig för reparation, om datumet då produkten gjorts tillgänglig för reparation ligger efter datumet då konsumenten bad om service). Om det är tillåtet enligt gällande lag är Guillemot och dess dotterbolags fulla ansvar (inklusive följdskador) begränsat till att reparera eller ersätta Thrustmaster-produkten. Om det är tillåtet enligt gällande lag fransäger sig Guillemot alla garantier för säljbarhet eller lämplighet för ett visst syfte.

Garanti gäller inte: (1) om produkten har modifierats, öppnats, ändrats eller skadats till följd av olämplig användning eller missbruk, försumlighet, olycka, normalt slitage eller annan orsak som inte är relaterad till material- eller tillverkningsfel (inklusive, men inte begränsat till, att kombinera Thrustmaster-produkten med någon olämplig del, i synnerhet nätaggregat, laddningsbara batterier, laddare, eller andra delar som Guillemot inte tillhandahåller för denna produkt); (2) om produkten har använts för annan användning än hemanvändning, inklusive för professionella eller kommersiella ändamål (t.ex. spelrum, träning, tävlingar); (3) om instruktionerna från teknisk support inte följs; (4) programvara, då programvaran har en egen garanti; (5) förbrukningsvaror (delar som byts ut under produktens livslängd: t.ex. engångsbatterier eller öronkuddar till headset eller hörlurar); (6) tillbehör (t.ex. kablar, fodral, påsar, väskor, handledsremmar); (7) om produkten såldes på e offentlig auktion.

Denna garanti är inte överlåtbar.

Konsumentens juridiska rättigheter med avseende på lagar som gäller för försäljning av konsumentvaror i hans land påverkas inte av denna garanti.

Ytterligare garantibestämmelser

Under garantiperioden ska Guillemot i princip inte tillhandahålla några reservdelar eftersom teknisk support är den enda part med behörighet att öppna och/eller renovera Thrustmasters produkter (med undantag för renoveringar som teknisk support ber konsumenten att utföra med hjälp av skriftliga instruktioner – till exempel om renoveringen är enkel och ej konfidentiell – och genom att i gällande fall förse konsumenten med de reservdelar som behövs).

Med tanke på dess innovationscykler och för att skydda dess kunskaper och affärshemligheter, ska Guillemot i princip inte tillhandahålla några renoveringsinstruktioner eller reservdelar för någon Thrustmaster-produkt vars garantiperiod har löpt ut.

I USA och Kanada är denna garanti begränsad till produktens interna mekanism och externa hölje. Guillemot eller dess dotterbolag ska under inga omständigheter hållas ansvariga av tredje part vad gäller eventuella följdskador eller oförutsedda skador som uppstår till följd av brott mot uttryckliga eller underförstådda garantier. Vissa delstater/provinser tillåter inte att man begränsar hur länge en underförstådd garanti varar eller att man utesluter eller ansvarsbegränsar följdskador eller oförutsedda skador, så ovanstående begränsningar eller uteslutningar kanske inte gäller dig. Denna garanti ger dig specifika juridiska rättigheter, och du kan också ha andra rättigheter som varierar från delstat till delstat eller provins till provins.

Ansvar

Om det är tillåtet enligt gällande lag fransäger sig Guillemot Corporation S.A. (hädanefter "Guillemot") och dess dotterbolag allt ansvar för eventuella skador orsakade av följande: (1) produkten har modifierats, öppnats eller ändrats; (2) underlåtenhet att följa monteringsanvisningarna; (3) olämplig användning eller missbruk, försumlighet, en olycka (t.ex. att produkten tappas); (4) normalt slitage; (5) produkten har använts för annan användning än hemanvändning, inklusive för professionella eller kommersiella ändamål (t.ex. spelrum, träning, tävlingar). Om det är tillåtet enligt gällande lag fransäger sig Guillemot och dess dotterbolag allt ansvar för eventuella skador som inte är relaterade till material- eller tillverkningsfel när det gäller produkten (inklusive, men inte begränsat till, skador som direkt eller indirekt orsakats av någon programvara eller genom att kombinera Thrustmaster-produkten med någon olämplig del, i synnerhet nätaggregat, laddningsbara batterier, laddare, eller andra delar som Guillemot inte tillhandahåller för denna produkt).

THRUSTMASTER®

TEKNISK SUPPORT

<https://support.thrustmaster.com>



UPPHOVS RÄTTSSKYDD

© 2019 Guillemot Corporation S.A. Med ensamrätt. Thrustmaster® är ett registrerat varumärke som tillhör Guillemot Corporation S.A. PlayStation® är ett registrerat varumärke som tillhör Sony Interactive Entertainment Inc. Windows® är ett registrerat varumärke som tillhör Microsoft Corporation i USA och/eller andra länder. Alla andra varumärken erkänns härmed och tillhör sina respektive ägare. Illustrationer är inte bindande. Innehåll, konstruktion och specifikationer kan ändras utan föregående meddelande och kan variera från land till land. Tillverkad i Kina.

MILJÖSKYDD



* I Europeiska unionen: När produkten har slutat fungera ska den inte slängas i vanligt hushållsavfall, utan kasseras vid en uppsamlingsplats för bortskaffandet av elektriskt och elektroniskt avfall (WEEE) för återvinning.

Detta bekräftas av symbolen på produkten, bruksanvisningen eller förpackningen.

Beroende på dess egenskaper kan materialet kanske återvinnas. Genom återvinning och andra sätt att hantera elektriskt och elektroniskt avfall kan du göra ett viktigt bidrag till att hjälpa till att skydda miljön.

Kontakta dina lokala myndigheter för information om uppsamlingsplatsen som är närmast dig.

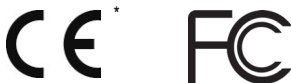
För alla andra länder: Följ lokala återvinningslagar för elektriskt och elektroniskt avfall.

Behåll denna information. Färger och dekorationer kan variera.

Plastfästen och lim/klister/tejp bör avlägsnas från produkten innan den används.

www.thrustmaster.com

**Gäller endast EU och Turkiet*



T-LCM PEDALS

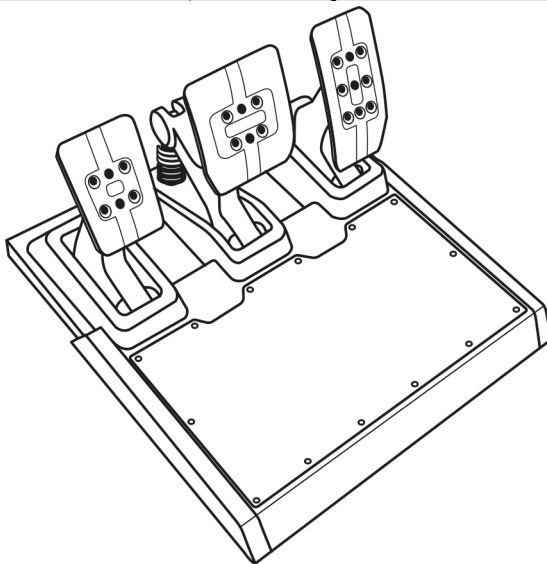
LOAD CELL & MAGNETICS

PC – PlayStation®4 – Xbox One®

Käyttöohje

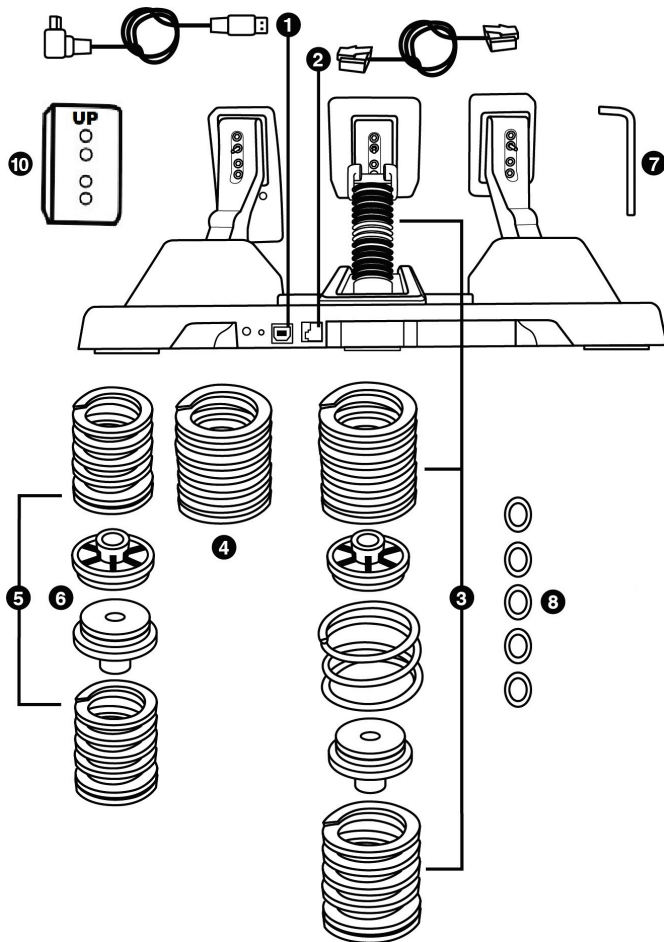


Lue tämä käyttöohje huolella ja talleta se myöhempää käyttöä varten, ennen kuin käytät tuotetta.



TEKNISET OMINAISUUDET

Yleiskatsaus



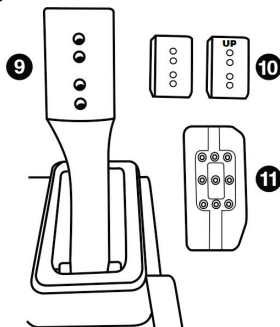
- 1 Irrotettava USB-kaapeli; USB-liitin löytyy poljinsetin takaa
- 2 Irrotettava RJ12-kaapeli; RJ12-liitin löytyy poljinsetin takaa
- 3 Keskitason vastus, esiasennettu (1 musta F20-jousi + 1 harmaa F15-jousi) (+ 1 keskelle asetettava ja kromattu esijännitys-jousi) (+ 2 välikappaletta ilman merkkejä)
- 4 1 valkoinen F10-jousi
- 5 2 punaista F30-jousta
- 6 2 välikappaletta punaisilla merkeillä (suunniteltu varta vasten punaisten F30-jousien kanssa käytettäväksi)
- 7 2,5 mm kuusiokoloavain
- 8 5 rikkaa (joilla voi vähentää tai poistaa kromatun keskijousen esijännityksen)
- 10 Polkimen pään muovinen tuki poljinten vertikaalista kallistusta varten

Välikappaleet

Mukana tulee kaksi välikappaletta. On tärkeää käyttää oikeaa välikappaletta valitusta jousesta riippuen.

	<p><u>Välikappaleet ilman värillisiä merkkejä</u> <i>(ja urilla)</i></p> <p>Käytetään seuraavien joustien kanssa: Valkoinen F10 Harmaa F15 Musta F20</p>
	<p><u>Välikappaleet punaisilla merkeillä</u> <i>(ja ilman uria)</i></p> <p>Suunniteltu varta vasten seuraavien jousien kanssa käytettäväksi: Punainen F30</p>

Polkimien varret ja päät



- 9 Polkimen metallinen varsi neljällä reiällä
- 10 Polkimen pään muovinen tuki (asetetaan polkimen pään ja varren väliin) neljällä reiällä
- 11 Poljinten metalliset päät (eri määrällä reikiä: 9 kaasulle; 6 jarrulle; 6 kytkimelle)

KALIBROINTIOHJELMISTO

⚠ TODELLA TÄRKEÄÄ ⚠

Tämä toimenpide on suoritettava, kun jarrupolkimen vastusta säädetään.

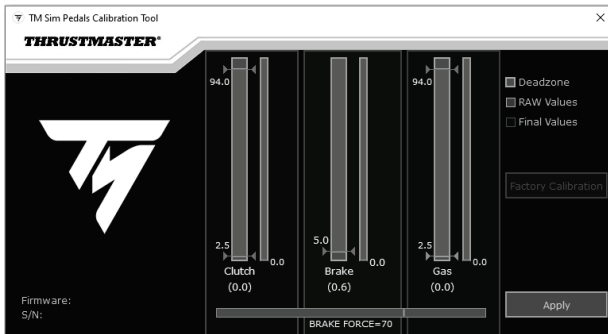
Yhdistä poljinsetti tietokoneeseen irrotettava USB-kaapeli (1) käyttämällä.

Irrotettava RJ12-kaapeli (2) ei saa olla yhdistetty poljinsettiin tämän toimenpiteen aikana.

Vieraile osoitteessa <https://support.thrustmaster.com>. Napsauta **Racing Wheels** (Rattiohjaimet) / **T-LCM Pedals** ja valitse sitten **Software** (Ohjelmisto).

Lataa ja asenna kalibrointiohjelmisto:

- Säädä kuolleet alueet haluamasilaiseksi kaikkien kolmen polkimen liikealueen alkupäässä.
- Säädä kuolleet alueet haluamasilaiseksi kaasu- ja kytkinpolkimen liikealueen loppupäässä.
- Säädä jarrupolkimen sähköinen voima (Brake Force) haluamasilaiseksi.



Kun eri asetukset on asetettu oikein, napsauta **APPLY** ja poista sitten irrotettava USB-kaapeli (1). Asetukset tallennetaan poljinsetin sisäiseen muistiin: ne ovat käytössä kaikissa peleissäsi, oli kyseessä sitten tietokone tai pelikonsolit.

POLJINSETIN LAITEOHJELMISTON PÄIVITTÄMINEN

Jotta laiteohjelmisto voidaan päivittää, poljinsetti täytyy yhdistää tietokoneeseen irrotettavalla USB-kaapelilla (1).

Poljinsetin mukana tuleva laiteohjelmisto voidaan päivittää uudempaan versioon, mikä mahdollistaa tuotteen parannukset.

Laiteohjelmiston versio esitetään kalibrointiohjelmiston vasemmassa alakulmassa.

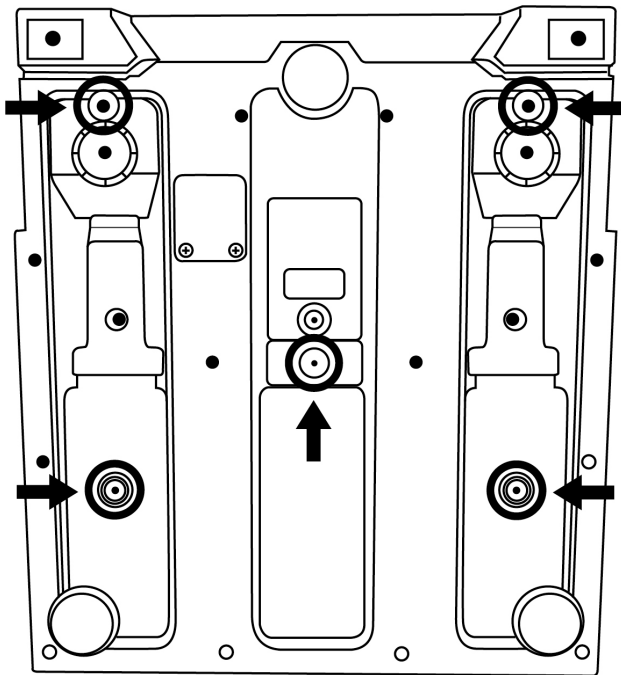
Poljinsetin laiteohjelmiston päivittäminen: Mene tietokoneella osoitteeseen <https://support.thrustmaster.com>, napsauta **Racing Wheels** (Rattiohjaimet) / **T-LCM Pedals** ja valitse sitten **Firmware** (Laiteohjelmisto) ja seuraa lataus- ja asennusohjeita.

POLJINSETIN YHDISTÄMINEN TUKEEN TAI OHJAAMOON

Poljinsetti voidaan yhdistää moneen erilaiseen ja yhteensopivaan tukeen (myydään erikseen) viittä M6-tyypin ruuvikoloa käyttämällä, jotka löytyvät jalustan alta. Kiinnitä kaksi M6-ruuvia (ei mukana) tukilevyn läpi kahteen pieneen ruuvikoloon, jotka löytyvät poljinsetin jalustan alapuolelta.



Tärkeää: M6-ruuvien pituudet eivät saa ylittää tuen paksuutta yli 12 millimetriä (0,47 tuumalla), jotta vältät vahingoittamasta poljinsetin sisäisiä komponentteja.



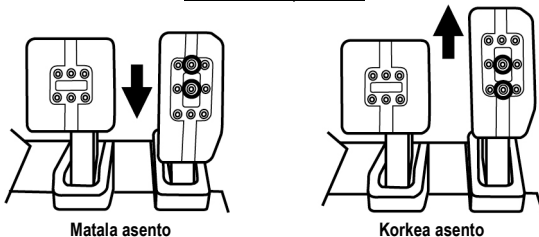
Poljinsetin asennuskaaviot ohjaamoihin ja muihin tukiin löytyvät osoitteesta <https://support.thrustmaster.com>: napsauta **Racing Wheels** (Rattiohjaimet) / **T-LCM Pedals** ja sitten **Template - Cockpit setup** (Malli – ohjaamoasennus).

POLJINSETIN MEKAANISET ASETUKSET

Poljinten korkeuden säätäminen

- Käytä mukana tulevaa 2,5 mm kuusiokoloavainta (7) avataksesi kaksi ruuvia, jotka pitävät polkimen metallisen kärjen (11) ja sen muovisen tuen (10) paikallaan.
- Valitse haluamasi korkeus ja kiristä kaikki sitten yhteen ruuveja käyttämällä.

Esimerkit kaasupolkimelle:



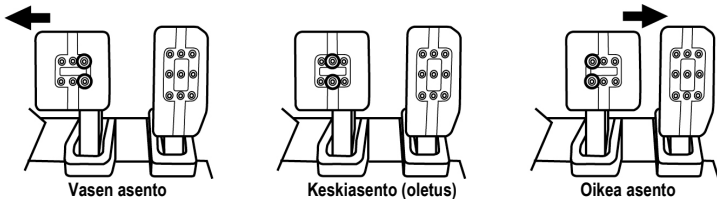
Eri korkeusasentojen määrä per poljiin:

- Kolme kaasupolkimelle
- Kaksi jarrupolkimelle
- Kaksi kytkinpolkimelle

Kolmen polkimen väljen säätäminen

- Käytä mukana tulevaa 2,5 mm kuusiokoloavainta (7) avataksesi kaksi ruuvia, jotka pitävät polkimen metallisen kärjen (11) ja sen muovisen tuen (10) paikallaan.
- Valitse haluamasi asento (vasemmalla, keskellä tai oikealla) ja kiristä kaikki sitten yhteen ruuveja käyttämällä.

Esimerkit jarrupolkimelle:



Eri väliasentojen määrä per poljiin:

- Kolme kaasupolkimelle
- Kolme jarrupolkimelle
- Kolme kytkinpolkimelle

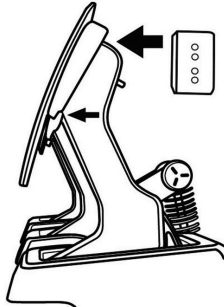
Poljinten kallistuksen säätäminen

- Käytä mukana tulevaa 2,5 mm kuusioloavainta (7) avataksesi kaksi ruuvia, jotka pitävät polkimen metallisen kärjen (11) ja sen muovisen tuen (10) paikallaan.
- Käännä seuraavaksi polkimen pään tukea (10) 180° (tai vaihda se) ja kiristä sitten kaikki yhteen ruuveja käyttämällä.

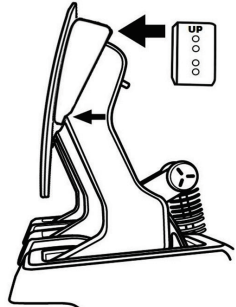
Esimerkit kaasupolkimelle:



Vähemmän kallistettu asento



Enemmän kallistettu asento
(oletus)



Vertikaalinen asento

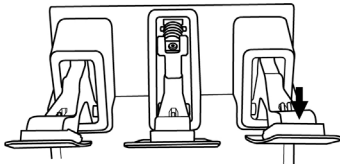
Eri kallistusasentojen määrä per poljiin:

- 3 kaasupolkimelle
- 3 jarrupolkimelle
- 3 kytkinpolkimelle

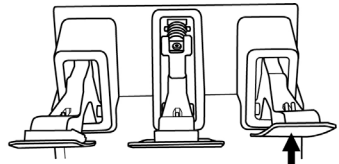
Poljinten sijainnin säätäminen

- Asenna polkimen pään muovinen tuki (10) siirtääksesi poljinta eteenpäin.
- Poista polkimen pään muovinen tuki (10) siirtääksesi poljinta taaksepäin.

Esimerkit kaasupolkimelle:



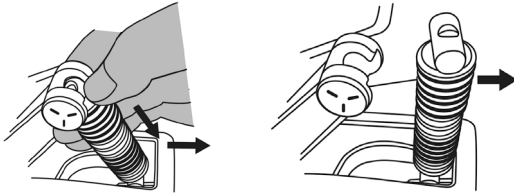
Etuasento (oletus)



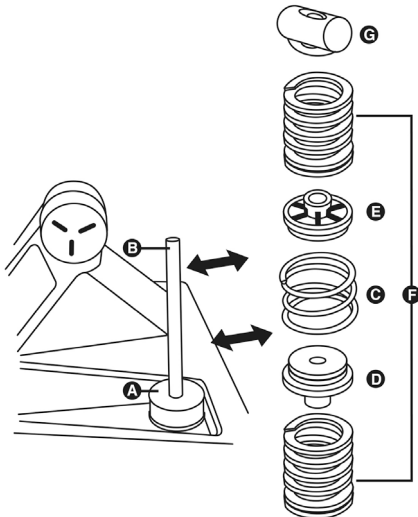
Taka-asento

Jarrupolkimen vastuksen muuttaminen

- Irrota poljinetti tietokoneesta tai pelikonsolista ja työnnä ylemmän kiinnityspään rikkaa tiukasti alaspäin (**G**) (löytyy polkimen takaa) ja vedä sitten komponenttia taaksepäin vapauttaaksesi sen metallivarresta.



- Irrota eri osat kiinnitystangosta (**B**).



A Load Cell -voima-anturi

⚠ Ei pidä ikinä irrottaa kiinnitystangosta!

B Jousirivistön kiinnitystanko

C Keskelle asetettava neljän kierteen kromattu esijännitysjuosi

D Kuminen välikappale

E Muovinen välikappale

F Seitsemän kierteen pääjouset
(F10, F15, F20, F30)

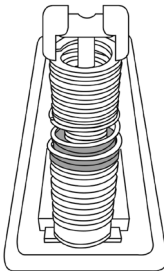
G Ylempi kiinnityspää rikalla

Jarrupolkimen vastusta voidaan säätää F-pääjousia vaihtamalla tai yhdistelemällä:

F-jousen väri	Jousen vastus
VALKOINEN (1 mukana)	F10
HARMAA (1 mukana)	F15
MUSTA (1 mukana)	F20
PUNAINEN (2 mukana)	F30

- Aseta eri osat ja valitsemasi pääjouset (**F10, F15, F20 tai F30**) kiinnitystankoon (sopivien välikappaleiden kanssa).

Esimerkki	Vastus
1 valkoinen F10-jousi + 1 harmaa F15-jousi	Heikko vastus
1 harmaa F15-jousi + 1 musta F20-jousi (oletusasennus)	Keskitason vastus
2 punaista F30-jousta	Vahva vastus



Älä pelkää yhdistellä ja kokeilla eri jousia (tarjolla on useita erilaisia yhdistelmiä) löytääksesi sinulle parhaiten sopivan vastustason.

Kun olet muokannut vastusta, yhdistä poljinsetti tietokoneeseen irrotettavalla USB-kaapelilla (1) ja kalibroi jarrupoljin sitten uudestaan kalibroitiohjelmistoa käyttämällä. Uusi (jarrupolkimen vastusta vastaava) kalibrointi tallennetaan automaattisesti poljinsetin sisäiseen muistiin, ja se on käytössä kaikissa peleissäsi tietokoneella ja pelikonsoleilla..

▲ TODELLA TÄRKEÄÄ ▲

Tämän poljinsetin oletuskalibrointi suoritetaan tehtaalla yhtä harmaata F15-jousta ja yhtä mustaa F20-jousta käyttämällä (keskitason vastus). Mikäli vaihdat jousia (ja täten jarrupolkimen vastusta), sinun täytyy kalibroida jarrupoljin uudelleen tietokoneen kalibroitiohjelmistoa käyttämällä: jarrupoljin ei muuten toimi oikein tietokoneella tai pelikonsoleilla.

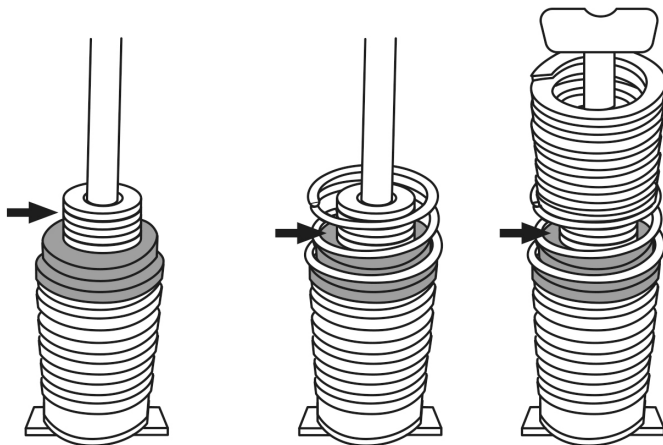
Jarrupolkimen esijännityksen vähentäminen tai poistaminen

Linearisemmasta jarruvastuksesta pitävät käyttäjät voivat vähentää tai poistaa esijännityksen keskelle asetettavasta ja kromatusta esijännitysjousta (C).

Se tehdään sijoittamalla 1–5 rikkaa kiinnitystankoon keskelle esijännitysjousta (C).

Huomautus: Mitä enemmän rikkoja lisäät, sitä enemmän esijännitys vähenee (tai poistuu kokonaan, mikäli käytät kaikkia viittä rikkaa).

Esimerkki esijännityksen poistamisesta kaikkia viittä rikkaa käyttämällä:



Tärkeää:

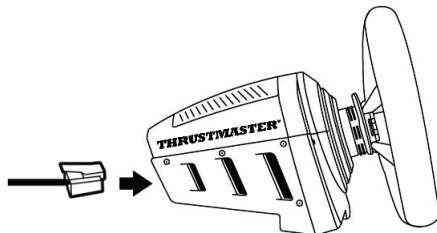
Näiden rikkojen käyttäminen vähentää myös jarrupolkimen mekaanisen liikealan pituutta.

POLJINSETIN KÄYTTÖ THRUSTMASTER-RATTIOHJAINJALUSTAN KANSSA

= IRROTETTAVA RJ12-KAAPELI (2) VAADITTU

(Irrotettava USB-kaapeli (1) ei saa olla yhdistetty poljinsettiin tällaisen käytön aikana.)

YHTEENSOPIVUUS: TIETOKONE JA PELIKONSOLIT



⚠ TODELLA TÄRKEÄÄ ⚠

Jotta Thrustmaster-rattiohjainjalustaan (TS-PC Racer, T-GT, T300, T150, TS-XW, TX ja TMX) yhdistetty poljinsetti toimii oikein, rattiohjainjalustan laiteohjelmisto on päivitettävä uusimpaan versioon, jonka saa osoitteesta <https://support.thrustmaster.com>. Saat uuden laiteohjelmiston avulla kaiken irti T-LCM Pedals -poljinsetin tarkkuudesta, ja voit käyttää kalibroitiohjelmistossa luomiasi henkilökohtaisia asetuksia.

- Kun Thrustmaster-rattiohjainjalustan laiteohjelmisto on päivitetty, yhdistä poljinsetti rattiohjainjalustan takaosaan irrotettavaa RJ12-kaapelia (2) käyttämällä.
- Yhdistä rattiohjain tietokoneeseen tai pelikonsoliin.
- Rattiohjainjalustan **MODE LED** vilkkuu 5 kertaa ilmoittaakseen, että poljinsetti on tunnistettu ja toimii täysin.

*Mikäli **MODE**-valo ei vilku yllä esitetyllä tavalla, rattiohjaimen jalustaa ei ole siinä tapauksessa päivitetty uusimpaan saatavilla olevaan laiteohjelmiston versioon ja poljinsettiä ei ole tunnistettu huipputarkaksi **T-LCM Pedals** -poljinsetiksi vaan normaaliksi **T3PA**- tai **T3PA PRO** -tyypin poljinsetiksi.*

OLET NYT PELIVALMIS!

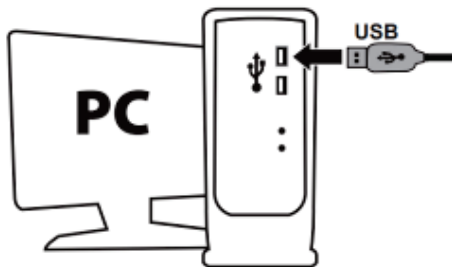
Huomautus: Tämä käyttötapa vaatii rattiohjaimen jalustaan virallisen Thrustmaster-rattikehän. Poljinsettiä ei muussa tapauksessa tunnisteta huipputarkaksi **T-LCM Pedals** -poljinsetiksi.

POLJINSETIN KÄYTTÖ MUUN KUIN THRUSTMASTER-RATTIOHJAIMEN KANSSA

(MAHDOLLISTA MYÖS THRUSTMASTER-RATTIOHJAINJALUSTALLA)

= IRROTETTAVA USB-KAAPELI (1) VAADITTU

YHTEENSOPIVUUS: VAIN TIETOKONE



- Yhdistä poljinsetti tietokoneen USB-porttiin irrotettavalla USB-kaapelilla (1) ja suorita ajurien asennus.
- Kun ajurien asennus on suoritettu, napsauta **Finish** ja käynnistä tietokone uudelleen.

OLET NYT PELIVALMIS!

Huomautukset tietokoneille, kun poljinsetti on yhdistetty USB-kaapelilla:

- Poljinsetti on yhteensopiva kaikkien markkinoilla olevien rattiohjainten kanssa peleissä, jotka tukevat useaa USB-yhteyttä ja erillisiä poljinsettejä.
- Muista aina sulkea **Peliohjaimet**-ikkuna kokonaan (napsauttamalla **OK**), sekä poljinsetin kalibrointiohjelmisto, ennen pelin käynnistämistä.
- Poljinsetin laiteohjelmiston versio esitetään kalibrointiohjelmiston vasemmassa alakulmassa.

YLEISKATSAUS POLJINSETIN LIITTÄMISEEN KÄYTETYN RATTIOHJAIMEN JA LAITEALUSTAN MUKAAN

	Poljinsetin yhteys
PELIKONSOLILLE THRUSTMASTER-RATTIOHJAIMEN KANSSA	Irrotettava RJ12-kaapeli (2)
PC:lle THRUSTMASTER-RATTIOHJAIMEN KANSSA	Irrotettava RJ12-kaapeli (2) tai irrotettava USB-kaapeli (1)
PC:lle muun kuin Thrustmaster-rattiohjaimen kanssa	Irrotettava USB-kaapeli (1)

VAROITUS



Älä turvallisuusyistä johtuen käytä poljinsettiä ikinä paljain jaloin tai pelkät sukat jalassa.

**THRUSTMASTER® KIELTÄÄ KAIKEN VASTUUN, MIKÄLI
LOUKKAANTUMINEN JOHTUU POLJINSETIN KÄYTÖSTÄ ILMAN KENKIÄ.**



Varoitus – sähköiskun vaara

- * Pidä tuote kuivassa paikassa, älä altista sitä pölylle tai auringonvalolle.
- * Noudata liitinten napaisuuksia.
- * Älä väännä tai vedä liittimiä tai kaapeleita.
- * Älä kaada nestettä tuotteen tai sen liitinten päälle.
- * Älä aiheuta tuotteelle oikosulkuja.
- * Älä koskaan pura tuotetta (lukuun ottamatta tässä käyttöohjeessa lueteltuja säätöjä). Älä heitä tuotetta tuleen tai altista sitä korkeille lämpötiloille.



Varoitus – toistuvan liikkeen aiheuttamat vammat

Poljinsetin käyttö voi johtaa lihas- tai nivelkipuihin. Vältäaksesi mahdolliset ongelmat:

- * Vältä pitkiä peli-istuntoja (vietä 10–15 minuutin tauko jokaisen pelitunnin jälkeen).
- * Mikäli tunnet väsymystä tai kipua jaloissasi, lopeta pelaaminen ja lepää muutaman tunnin ajan ennen kun aloitat uudelleen.
- * Mikäli yllä kuvatut oireet tai kivut jatkuvat aloittaessasi pelin uudelleen, lopeta pelaaminen ja kysy neuvoa lääkäriltä.



Varoitus – poljinsetin puristusvaara peli-istuntojen aikana

- * Pidä poljinsetti lasten ulottumattomissa.
- * Älä ikinä aseta peli-istuntojen aikana sormeja (tai muuta ruumiinosaa) polkimien varsille tai lähelle.

ÄLÄ IKINÄ



VIHJEET JA VINKIT (eivät sisälly tähän käyttöohjeeseen)

Vihjeet ja vinkit löytyvät osoitteesta <https://support.thrustmaster.com>: napsauta **Racing Wheels** (Rattiohjaimet) / **T-LCM Pedals**.

KULUTTAJAN TAKUUTIEDOT

Maailmanlaajuinen, Guillemot Corporation S.A., jonka rekisteröity toimisto sijaitsee osoitteessa Place du Granier, B.P. 97143, 35571 Chantepie, France (tästä eteenpäin "Guillemot"), takaa asiakkaalle, että tämä Thrustmaster-tuote on materiaaleista ja työn laadusta johtuvista vioista vapaa takuujan verran. Kaikki toimet sen noudattamiseksi on nostettava tämän aikarajan sisällä. Euroopan Union jäsenvaltioissa se vastaa kahta (2) vuotta Thrustmaster-tuotteen toimituksesta. Muissa maissa takuu-aika vastaa Thrustmaster-tuotteen noudattamisvaatimusten aikarajaa sen maan asiaankuuluvien lakien mukaisesti, jonka asukas kuluttaja oli Thrustmaster-tuotteen ostopäivänä (mikäli kyseisessä maassa ei ole tällaisia vaatimuksia, takuujan kesto on yksi (1) vuosi Thrustmaster-tuotteen ostopäivästä).

Yllä olevasta huolimatta ladattavilla akuilla on kuuden (6) kuukauden takuu ostopäivästä lähtien.

Mikäli tuote vaikuttaa takuujan aikana vialliselta, ota välittömästi yhteyttä tekniseen tukeen, joka kertoo noudeettavista toimenpiteistä. Jos vika vahvistetaan, tuote täytyy palauttaa sen ostopaikkaan (tai muuhun teknisen tuen osoittamaan paikkaan).

Tämän takuun puitteissa kuluttajan viallinen tuote joko korvataan uudella tai palautetaan toimintakuntoon teknisen tuen valinnan mukaan. Jos takuujan aikana Thrustmaster-tuotteelle tehdään korjaustoimia, mikä tahansa vähintään seitsemän (7) päivää kestänyt jakso, jolloin tuote ei ole käytettävissä, lisätään jäljellä olevaan takuu-aikaan (jakso alkaa siitä päivästä, kun asiakas pyytää tukitoimia tai kun kyseessä oleva tuote luovutetaan korjattavaksi, mikäli korjaukseen luovuttamisen päivämäärä on myöhäisempi kuin tukitoimipyynnön). Mikäli asiaankuuluva laki sen sallii, Guillemotin ja sen tytäryhtiöiden täysi vastuuvollisuus (mukaan lukien välilliset vahingot) rajoittuvat Thrustmaster-tuotteen toiminnan palauttamiseen tai sen korvaamiseen uudella. Mikäli asiaankuuluva laki sen sallii, Guillemot kiistää kaikki takuut tuotteen myytyvyydestä tai sopivuudesta tiettyyn tarkoitukseen.

Tämä takuu ei ole voimassa: (1) mikäli tuotetta on muokattu, avattu, muunneltu tai se on kärsinyt vahinkoa epäasiallisen tai huonon käytön, huolimattomuuden, onnettomuuden, tavallisen kulumisen tai minkä tahansa muun syyn johdosta, joka ei liity materiaali- tai valmistusvirheisiin (mukaan lukien, mutta rajoittumatta, Thrustmaster-tuotteen yhdistäminen epäsopivan osan kanssa, erityisesti virtalähteet, ladattavat akut, laturit tai muut tuotteet, joita Guillemot ei ole toimittanut tälle tuotteelle); (2) mikäli tuotetta on käytetty missä tahansa muussa kuin kotikäytössä, mukaan lukien ammattimaisessa tai kaupallisessa käytössä (esim. pelihuoneet, koulutus ja kilpailut); (3) mikäli vian ilmetessä teknisen tuen ohjeita ei ole noudatettu; (4) ohjelmistojen kohdalla, kyseisellä ohjelmistolla on erillinen takuu; (5) käyttöesineiden kohdalla (tuotteen eliniän aikana vaihdettavat osat: esim. kertakäyttöiset paristot, kuulokkeet tai kuuloketyynynt); (6) lisälaitteiden kohdalla (esim. kaapelit, kotelot, pussit, laukut ja rannekkeet); (7) mikäli tuote myytiin julkisessa huutokaupassa.

Tätä takuuta ei voi siirtää.

Tämä takuu ei vaikuta kuluttajan laillisiin oikeuksiin hänen maassaan, mitä tulee kuluttajatuotteiden myyntiin.

Ylimääräiset takuehdot

Takuuajan aikana Guillemot ei lähtökohtaisesti tarjoa varaosia, sillä tekninen tuki on ainoa osapuoli, joka on valtuutettu avaamaan ja/tai korjaamaan Thrustmaster-tuotteita (pois lukien sellaiset korjaustoimet, joita tekninen tuki saattaa pyytää kuluttajaa tekemään kirjallisten ohjeiden kautta – esimerkiksi korjaustoimen yksinkertaisuuden ja salassapitotarpeiden puuttumisen vuoksi – ja toimittamalla kuluttajalla vaadittavat varaosat, jos ne ovat tarpeellisia).

Innovaatiosykleistä johtuen ja suojellakseen tietotaitoaan sekä liikesalaisuuksiaan Guillemot ei lähtökohtaisesti tarjoa mitään tai varaosia Thrustmaster-tuotteille, joiden takuu-aika on umpeutunut.

Yhdysvalloissa ja Kanadassa tämä takuu rajoittuu tuotteen sisäisiin mekanismeihin ja ulkoisiin koteloihin. Guillemotia ja sen osakkuusyrityitä ei missään tilanteessa saa pitää vastuuvollisena kolmannelle osapuolelle välillisistä tai satunnaisista vahingoista, jotka ovat johtuneet nimenomaisten tai epäsuorien takuiden rikkomuksesta. Jotkin osavaltiot/provinssit eivät salli rajoituksia epäsuorien takuiden keston tai korvausvelvollisuuden rajauksia tai rajoituksia välillisissä tai satunnaisissa vahingoissa, joten yllä olevat rajoitukset ja rajaukset ei välttämättä päde kohdallasi. Tämä takuu antaa sinulle tiettyjä laillisia oikeuksia, ja sinulla saattaa olla muita osavaltioista (tai maasta tai provinssista) riippuvia oikeuksia.

Vastuuvollisuus

Mikäli asiaankuuluva laki sen sallii, Guillemot Corporation S.A. (tästä eteenpäin "Guillemot") ja sen tytäryhtiöt kiistävät vastuunsa kaikista vahingoista, jotka johtuvat yhdestä tai useammasta seuraavasta: (1) tuotetta on muokattu, avattu tai muunneltu; (2) kokoamisohjeita ei ole noudatettu; (3) epäasiallisen tai huonon käytön, huolimattomuuden tai onnettomuuden (esim. isku) johdosta; (4) tavallisen kulumisen johdosta; (5) tuotetta on käytetty missä tahansa muussa kuin kotikäytössä, mukaan lukien ammattimaisessa tai kaupallisessa käytössä (esim. pelihuoneet, koulutus ja kilpailut). Mikäli asiaankuuluva laki sen sallii, Guillemot ja sen tytäryhtiöt kiistävät vastuunsa kaikista vahingoista, jotka eivät liity tuotteen materiaali- tai valmistusvirheisiin (mukaan lukien, mutta rajoittamatta, ohjelmiston suoraan tai epäsuoraan aiheuttamat vahingot, tai yhdistämällä Thrustmaster-tuote minkä tahansa epäsovikivan osan kanssa, mukaan lukien tietyt virtalähteet, ladattavat akut, laturit tai muut osat, joita Guillemot ei ole toimittanut tälle tuotteelle).

THRUSTMASTER®

TEKNINEN TUKI

<https://support.thrustmaster.com>



TEKIJÄNOIKEUS

© 2019 Guillemot Corporation S.A. Kaikki oikeudet pidätetään. Thrustmaster® on Guillemot Corporation S.A.:n rekisteröity tavaramerkki. PlayStation® on Sony Interactive Entertainment Inc.:in rekisteröity tavaramerkki. Windows® on Microsoft Corporationin rekisteröity tavaramerkki Yhdysvalloissa ja/tai muissa maissa. Kaikki muut tavaramerkit ja tuotenimet ovat täten tunnustettuja ja haltijoidensa omaisuutta. Kuvitukset eivät ole sitovia. Sisältö, mallit ja tavaraselosteet voivat muuttua ilman erillistä ilmoitusta ja vaihdella maasta toiseen. Valmistettu Kiinassa.

YMPÄRISTÖNSUOJELUSUOSITUS



Euroopan unionissa: Käyttöikänsä päätyttyä tätä tuotetta ei pidä laittaa kodin sekajätteeseen, vaan se tulee viedä sähkö- ja elektroniikkalaiteromun (SER/WEEE) keräyspisteeseen kierrätettäväksi.

Tämä vahvistetaan tuotteesta, käyttöohjeesta sekä pakkauksesta löytyvällä symbolilla. Ominaisuuksistaan riippuen materiaalit voidaan kierrättää. Voit kierrätyksen ja muun sähkö- ja elektroniikkaromun käsittelyn avulla auttaa merkittävästi ympäristön suojelussa.

Ota yhteyttä paikallisiin viranomaisiin saadaksesi tietoa lähimmästä keräyspisteestä. Muissa maissa: Noudata paikallisia sähkö- ja elektroniikkaromun kierrätyslakeja.

Pidä nämä tiedot tallessa. Värit ja koristeet voivat vaihdella. Muoviset kiinnittimet ja tarrat tulee poistaa ennen tuotteen käyttöä.

www.thrustmaster.com

* Voimassa vain EU:ssa ja Turkissa



T-LCM PEDALS

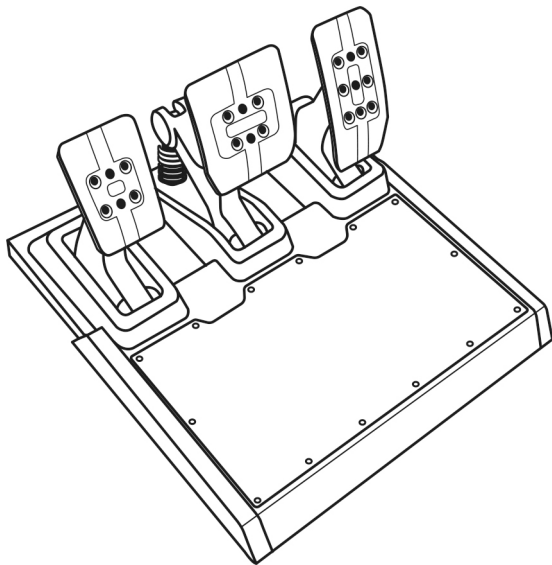
LOAD CELL & MAGNETICS

PC – PlayStation®4 – Xbox One®

Návod na použitie

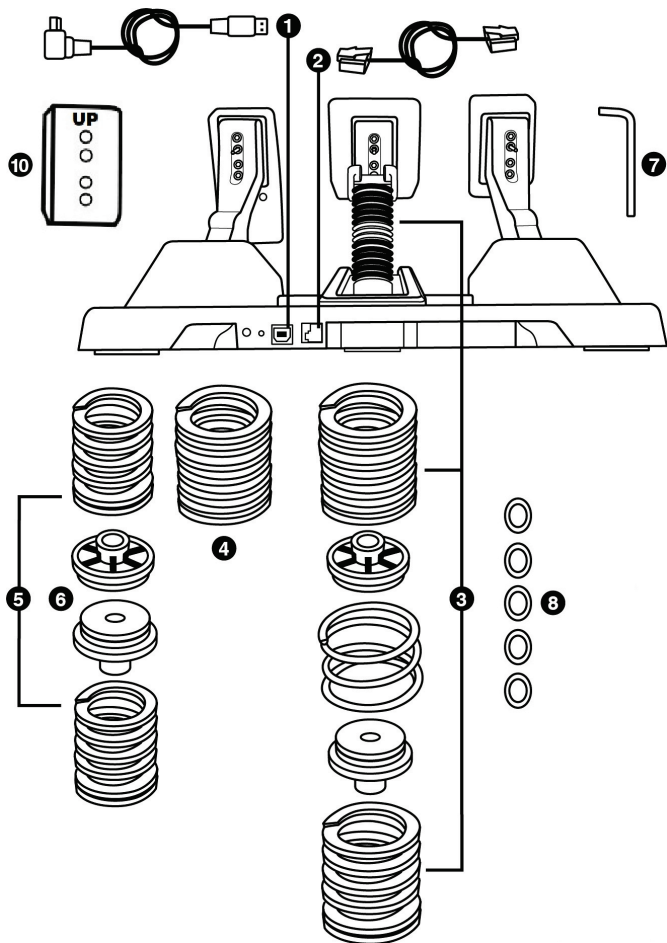


Pred použitím tohto produktu si pozorne prečítajte tento návod na použitie a uschovajte ho pre neskoršie použitie.



TECHNICKÉ VLASTNOSTI

Všeobecný prehľad



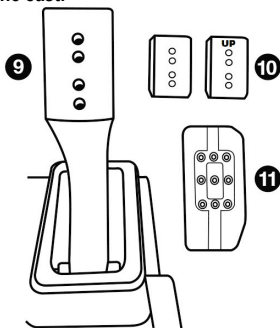
- 1 Odpojiteľný USB kábel; USB konektor na zadnej strane sady pedálov
- 2 Odpojiteľný RJ12 kábel; RJ12 konektor na zadnej strane sady pedálov
- 3 Prednastavený stredný odpor (1 čierna pružina F20 + 1 sivá pružina F15) (+1 centrálna pochrómovaná predpinacia pružina)
- 4 1 biela pružina F10
- 5 2 červené pružiny F30
- 6 2 vymedzovacie krúžky s červeným označením (špeciálne navrhnuté na použitie s červenými pružinami F30)
- 7 2.5 mm Imbusový kľúč
- 8 5 plochých podložiek (na zníženie alebo zrušenie predpnutia centrálnej chrómovanej pružiny)
- 10 Plastová podpera vrchnej časti pedálov pre vertikálny sklon pedálov.

Vymedzovacie krúžky

Zahnuté sú 2 typy vymedzovacích krúžkov. V závislosti od vybraného typu pružiny je dôležité použiť správny typ vymedzovacieho krúžka.

	<p><u>Vymedzovacie krúžky bez farebných označení (a s drážkami)</u></p> <p>Pre použitie s nasledovnými pružinami: Biela F10 Sivá F15 Čierna F20</p>
	<p><u>Vymedzovacie krúžky s červeným označením (a bez drážok)</u></p> <p>Špeciálne navrhnuté na použitie s nasledujúcimi pružinami: Červená F30</p>

Ramená pedálov a vrchné časti



- 9 Kovové rameno pedálu so 4 dierami
- 10 Plastová podpera pedálu (pre umiestnenie medzi vrchnou časťou pedála a ramenom) so 4 dierami
- 11 Kovové vrchné časti pedálov (s rôznym počtom otvorov: 9 pre plynový pedál; 6 pre brzdový pedál; 6 pre pedál spojky)

⚠ VEĽMI DÔLEŽITÉ ⚠

Tento postup je potrebné dodržiavať pri zmene odporu brzdového pedálu.

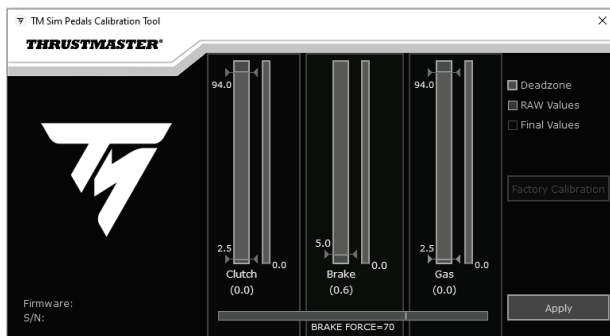
Pripojte pedálovú sadu k počítaču pomocou odpojiteľného USB kábla (1).

Odpojiteľný kábel RJ12 (2) počas tohto postupu nesmie byť pripojený k pedálovej súprave.

Navštívte <https://support.thrustmaster.com>. Kliknite **Racing Wheels (Pretekárske volanty) / T-LCM Pedals**, a vyberte **Software (Softvér)**.

Stiahnite a nainštalujte si kalibračný softvér:

- Pre prispôbenie mŕtvych zón na začiatku rozsahu všetkých troch pedálov podľa Vašich predstáv.
- Pre prispôbenie mŕtvych zón na konci rozsahu plynového pedála a spojkového pedála podľa Vašich predstáv.
- Pre prispôbenie elektronickej sily (Brake Force) na brzdový pedál podľa Vášho želania.



Po správnom nakonfigurovaní iných nastavení kliknite na **APPLY** a až potom odpojte odpojiteľný USB kábel (1). Nastavenia sú uložené vo vnútornej pamäti pedálovej sady: budú účinné vo všetkých Vašich hrách, na počítačoch a herných konzolách.

AKTUALIZÁCIA FIRMVÉRU PEDÁLOVEJ SADY

Aby ste mohli aktualizovať firmvér, musí byť sada pedálov pripojená k počítaču pomocou odpojiteľného USB kábla (1).

Firmvér obsiahnutý v sade pedálov je možné aktualizovať na novšie verzie, čo umožňuje vylepšenie produktu.

Verzia firmvéru sa zobrazí v ľavom dolnom rohu kalibračného softvéru.

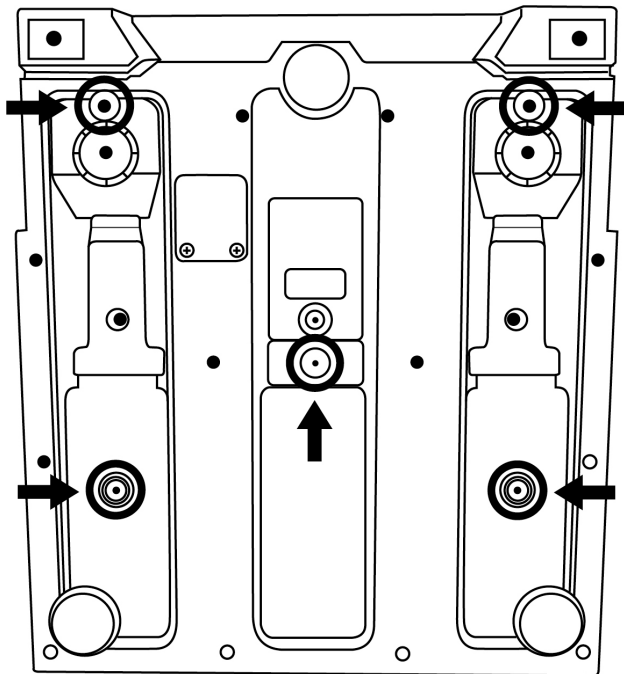
Pre aktualizáciu firmvéru pedálovej sady: na PC, navštívte <https://support.thrustmaster.com>, kliknite **Racing Wheels (Pretekárske volanty) / T-LCM Pedals**, a potom vyberte **Firmware (Firmvér)** a postupujte podľa pokynov pre stiahnutie a inštaláciu.

PRIPOJENIE PEDÁLOVEJ SADY K PODSTAVCU ALEBO KU KOKPITU

Sadu pedálov je možné pripojiť na rôzne kompatibilné podstavce (predávané samostatne) pomocou piatich skrutkových závitov typu M6 umiestnených pod základňou. Za týmto účelom zaskrutkujte najmenej dve skrutky M6 (nie sú súčasťou balenia) cez podstavec do závitov na spodnej strane základne pedálovej súpravy.



Dôležité: dĺžka skrutiek M6 nesmie prekročiť hrúbku podstavca o viac ako 0,47 palca/12 mm, aby nedošlo k poškodeniu vnútorných komponentov pedálovej sady



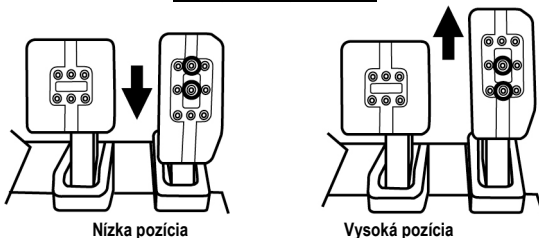
Schémy nastavenia pedálovej sady pre kokpity a ďalšie podstavce sú k dispozícii na stránke <https://support.thrustmaster.com>; kliknite Racing Wheels (Pretekárske volanty) / T-LCM Pedals, a potom Template - Cockpit setup (Vzor – Nastavenie kokpitu).

MECHANICKÉ NASTAVENIE SADY PEDÁLOV

Nastavenie výšky pedálov

- Pomocou priloženého 2,5 mm imbusového kľúča (7) odskrutkujte dve skrutky držiace kovovú vrchnú časť (11) a jej plastovú podperu (10) na mieste.
- Zvoľte si požadovanú výšku, a potom znova všetko spolu utiahnite s použitím skrutiek.

Priklady s plynovým pedálom:



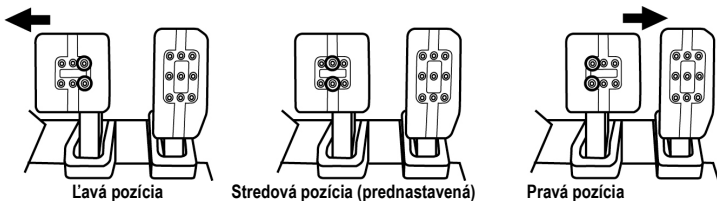
Počet rôznych výškových polôh pre pedále:

- 3 pre plynový pedál
- 2 pre brzdový pedál
- 2 pre pedál spojky

Nastavenie rozostupu troch pedálov

- Pomocou priloženého 2,5 mm imbusového kľúča (7) odskrutkujte dve skrutky držiace kovovú vrchnú časť (11) a jej plastovú podperu (10) na mieste.
- Zvoľte si požadovanú pozíciu (vľavo, v strede, vpravo) a potom znova všetko spolu utiahnite použitím skrutiek.

Priklady s brzdovým pedálom:



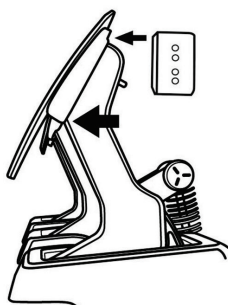
Počet možných rozostupov pre pedále

- 3 pre plynový pedál
- 3 pre brzdový pedál
- 3 pre pedál spojky

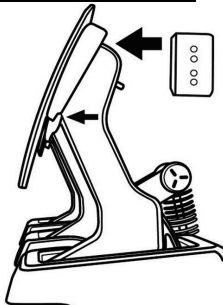
Nastavenie sklonu pedálov

- Pomocou priloženého 2,5 mm imbusového kľúča (**7**) odskrutkujte dve skrutky držiace kovovú vrchnú časť (**11**) a jej plastovú podperu (**10**) na mieste.
- Potom otočte plastovú podperu vrchnej časti pedála (**10**) o 180° (alebo vymeňte vrchnú časť pedálu za inú) a následne pomocou skrutiek znova všetko upevnite.

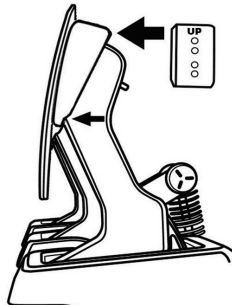
Príklady s plynovým pedálom:



Menej naklonená pozícia



Viac naklonená pozícia
(prednastavená)



Vertikálna pozícia

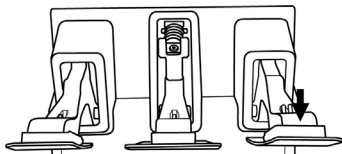
Počet možných sklonov pre pedále:

- 3 pre plynový pedál
- 3 pre brzdový pedál
- 3 pre pedál spojky

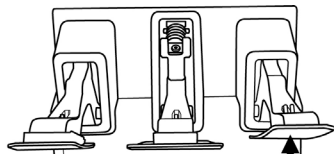
Prispôsobenie zarovnaní pedálov

- Nasadíte plastovú podperu vrchnej časti pedála (**10**) pre posunutie pedálu dopredu.
- Odstráňte plastovú podperu vrchnej časti pedála (**10**) pre posunutie pedálu dozadu.

Príklady s pedálom plynu:



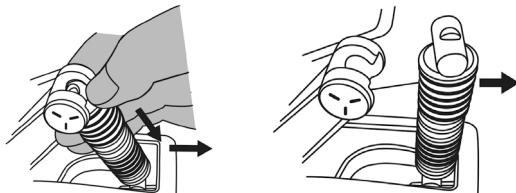
Predná pozícia (prednastavená)



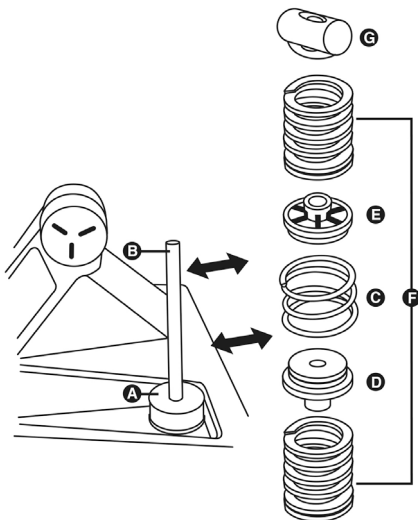
Zadná pozícia

Zmena odporu brzdového pedálu

- Sadu pedálov odpojte od počítača alebo hernej konzoly a pevne zatlačte na podložku hornej pridržiavacej hlavice (G) (umiestnenej na zadnej strane pedálu) a potom ju potiahnite dozadu, aby ste ju uvoľnili z kovového ramena.



- Vyberte všetky prvky z pridržiavacej tyče (B).



A Snímač sily Load Cell

⚠ Nikdy ho nevyberajte z pridržiavacej tyče!

B Pridržiavacia tyč pre rad pružín

C Stredná 4-špirálová chrómová predpinacia pružina

D Gumený vymedzovací krúžok

E Plastový vymedzovací krúžok

F Hlavné 7-špirálové pružiny
(F10, F15, F20, F30)

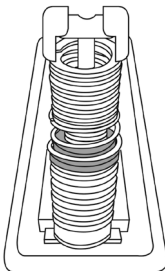
G Horná pridržiavacia hlava s podložkou

Odpor brzdového pedálu je možné nastaviť výmenou alebo kombináciou hlavných **F** pružín:

Farba F pružín	Odpor pružiny
BIELA (1 zahnutá)	F10
SIVÁ (1 zahnutá)	F15
ČIERNA (1 zahnutá)	F20
ČERVENÁ (2 zahnuté)	F30

- Nasadíte prvky a hlavné pružiny (**F10, F15, F20 alebo F30**) podľa Vášho výberu (spolu s príslušnými vymedzovacími krúžkami) na pridržiavaciu tyč.

Príklad	Odpor
1 biela pružina F10 + 1 sivá pružina F15	Slabý odpor
1 sivá pružina F15 + 1 čierna pružina F20 (prednastavené)	Stredný odpor
2 červené pružiny F30	Silný odpor



Neváhajte kombinovať a vyskúšať rôzne pružiny (je možné množstvo rôznych kombinácií), aby ste našli úroveň odporu, ktorá Vám najviac vyhovuje.

Po úprave odporu pripojte pedálovú súpravu k počítaču pomocou odpojiteľného USB káblu (1) a potom pomocou kalibračného softvéru vykonajte novú kalibráciu brzdového pedála. Táto nová kalibrácia (zodpovedajúca novému odporu brzdového pedála) sa automaticky uloží do vnútornej pamäte sady pedálov a bude účinná vo všetkých Vašich hrách na počítačoch a herných konzolách.

▲ VEĽMI DÔLEŽITÉ ▲

Predvolená továrenská kalibrácia pedálovej sady sa vykonáva pomocou jednej šedej pružiny F15 a jednej čiernej pružiny F20 (stredný odpor). V prípade, že vymeníte pružiny (a tým zmeníte odpor brzdového pedála), musíte znova kalibrovať brzdový pedál pomocou kalibračného softvéru na PC: ak tak neurobíte, brzdový pedál nebude na počítačoch alebo herných konzolách správne fungovať.

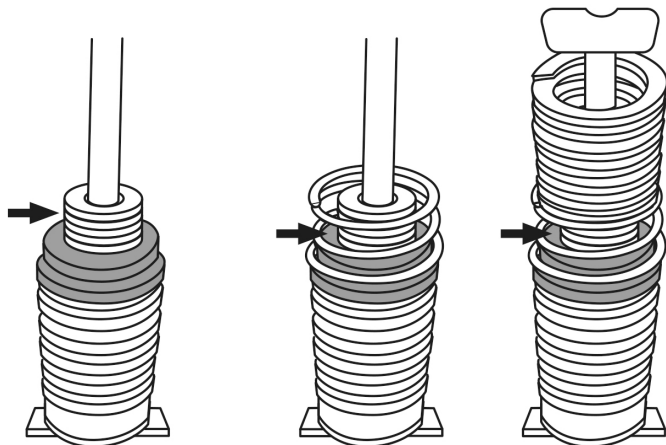
Zníženie alebo vylúčenie predpínacieho účinku brzdového pedálu

Pre používateľov, ktorí dávajú prednosť lineárnemu brzdnému odporu, je tiež možné znížiť alebo vylúčiť predpínací účinok centrálnej chrómovej predpínacej pružiny (C).

Na tento účel nasuňte 1 až 5 plochých podložiek (B) na pridržiavaciu tyč v strede centrálnej chrómovej predpínacej pružiny (C).

Poznámka: Čím viac plochých podložiek pridáte, tým viac sa zníži predpínací účinok (alebo sa úplne vylúči v prípade, že použijete všetkých 5 plochých podložiek).

Príklad odstránenia predpínacieho účinku pomocou všetkých 5 plochých podložiek:



Dôležité:

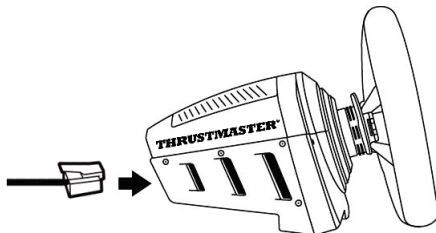
Pridanie týchto plochých podložiek bude mať tiež za následok zníženie mechanického pohybu brzdového pedála.

POUŽITIE PEDÁLOVEJ SADY SO ZÁKLADŇOU PRETEKÁRSKEHO VOLANTU THRUSTAMSTER

= POTREBNÝ ODPOJITELNÝ KÁBEL RJ12 (2)

(Odpojiteľný USB kábel (1) nesmie byť pri tomto type použitia pripojený k pedálovej súprave.)

KOMPATIBILITA: PC A HERNÉ KONZOLY



⚠ VEĽMI DÔLEŽITÉ ⚠

Aby ste zaistili optimálnu funkčnosť pedálovej sady pripojenej priamo k základni pretekárskych volantov Thrustmaster (TS-PC Racer, T-GT, T300, T150, TS-XW, TX a TMX), musíte aktualizovať firmvér základne pretekárskeho volantu na najnovšiu verziu dostupnú na stránke <https://support.thrustmaster.com>. Tento nový firmvér Vám umožní vyťažiť maximum zo sady pedálov T-LCM Pedals a používať Vaše osobné nastavenia vykonané pomocou kalibračného softvéru.

- Po aktualizácii firmvéru základne pretekárskeho volantu Thrustmaster, pripojte pedálovú súpravu do zadnej strany základne pretekárskeho volantu pomocou odpojiteľného RJ12 kábla (2).
- Pripojte pretekársky volant k počítaču alebo hernej konzole.
- LED dióda **MODE** na spodnej časti Vášho pretekárskeho volantu 5-krát zabliká, čo znamená, že sada pedálov je správne rozpoznaná pre optimálnu prevádzku.

*V prípade, že LED dióda **MODE** neblíkajú, ako je uvedené vyššie, znamená to, že základňa Vášho pretekárskeho volantu nebola aktualizovaná najnovším dostupným firmvérom, a že sada pedálov nie je rozpoznaná ako vysoko presná sada pedálov **T-LCM Pedals**, ale skôr ako štandardná sada pedálov **T3PA** alebo **T3PA PRO**.*

TERAZ MÔŽETE HRAŤ!

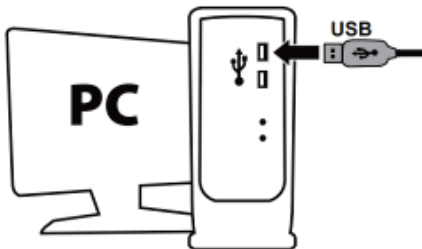
Poznámka: V tejto konfigurácii musí byť na základni Vášho pretekárskeho volantu nainštalovaný oficiálny volant Thrustmaster. Ak tak neurobíte, pedálová súprava nebude rozpoznaná ako vysoko presná súprava pedálov **T-LCM.Pedals**.

POUŽITIE PEDÁLOVEJ SADY S VOLANTOM, KTORÝ NIE JE ZNAČKY THRUSTMASTER

(TIEŽ MOŽNÉ POUŽIŤ SO ZÁKLADNOU PRETEKÁRSKEHO VOLANTU THRUSTMASTER)

= JE POTREBNÝ ODPOJITEĽNÝ USB KÁBEL (1)

KOMPATIBILITA: LEN PC



- Pomocou odnímateľného USB kábla (1) pripojte súpravu pedálov k jednému z USB portov Vášho počítača a dokončíte inštaláciu ovládačov.
- Po dokončení inštalácie ovládačov kliknite na tlačidlo **Finish** a reštartujte počítač.

TERAZ MÔŽETE HRAŤ!

Poznámky k pripojeniu pedálovej sady k PC pomocou USB kábla:

- Sada pedálov je kompatibilná so všetkými pretekárskymi volantami na trhu, v hrách podporujúcich multi-USB pripojenie a samostatné sady pedálov.
- Nezabudnite vždy pred začatím hry úplne zavrieť okno **Hracie zariadenia** (kliknutím na tlačidlo **OK**), ako aj kalibračný softvér sady pedálov.
- Verzia firmvéru sady pedálov sa zobrazuje v ľavom dolnom rohu kalibračného softvéru.

PREHĽAD AKO PRIPOJIŤ PEDÁLOVÚ SADU PODĽA POUŽITÉHO PRETEKÁRSKEHO VOLANTU A PLATFORMY

	Pripojenie pedálovej sady
Na HERNEJ KONZOLE s PRETEKÁRSKYM VOLANTOM THRUSTMASTER	Odpojiteľný kábel RJ12 (2)
Na PC s PRETEKÁRSKYM VOLANTOM THRUSTMASTER	Odpojiteľný kábel RJ12 (2) alebo odpojiteľný kábel USB (1)
Na PC s pretekárskym volantom, ktorý nie je značky Thrustmaster	Odpojiteľný kábel USB (1)

UPOZORNENIE



Z bezpečnostných dôvodov nikdy nepoužívajte sadu pedálov s bosými nohami, alebo ak máte na nohách iba ponožky.
Spoločnosť THRUSTMASTER® SA ZRIEKÁ VŠETKEJ ZODPOVEDNOSTI V PRÍPADE ZRANENIA PRI UŽÍVANÍ PEDÁLOVEJ SADY BEZ OBUVI



Varovanie – zásah elektrickým prúdom

- * Produkt uchovávajte na suchom mieste a nevystavujte ho prachu alebo snečnému žiareniu.
- * Rešpektujte polaritu pripojenia.
- * Neotáčajte ani neťahajte za konektory a káble.
- * Na produkt ani jeho konektory nevyliievajte žiadnu tekutinu.
- * Produkt neskratujte.
- * Výrobok nikdy nerozoberajte (okrem úprav uvedených v tejto používateľskej príručke). Nevhadzujte ho do ohňa a nevystavujte ho vysokým teplotám.



Varovanie - Zranenia v dôsledku opakovaných pohybov

- Hranie so sadou pedálov môže spôsobiť bolesť svalov alebo kĺbov. Aby ste predišli problémom:
- * Vyhnite sa zdĺhavým hraniam hry (po každej hodine hry si urobte 10 až 15 minútové prestávky).
 - * Ak cítite únavu alebo bolesť nôh alebo chodidiel, prestaňte hrať a odpočívajte niekoľko hodín, kým začnete hrať znova.
 - * Ak príznaky alebo bolesti uvedené vyššie pretrvávajú aj keď začnete znova hrať, prestaňte hrať a obráťte sa na svojho lekára.



Výstraha – Nebezpečenstvo privretia počas hrania hier

- * Pedál udržiavajte mimo dosahu detí.
- * Počas hrania hier nikdy neumiestňujte prsty (alebo iné časti tela) na ramená pedálov ani do ich blízkosti.

NIKDY



RÔZNE TIPY A TRIKY (neuvedené v tejto príručke)

Rôzne tipy a triky nájdete na stránke <https://support.thrustmaster.com>: Kliknite na **Racing Wheels (Pretekárske volanty) / T-LCM Pedals**.

INFORMÁCIE O ZÁRUKU

Celosvetovo, spoločnosť Guillemot Corporation S.A., ktorej sídlo sa nachádza na adrese Place du Granier, B.P. 97143, 35571 Chantepie, Francúzsko (ďalej len "Guillemot") zaručuje spotrebiteľovi, že počas záručnej doby, ktorá je zhodná s časovým limitom na podanie reklamácie na tento produkt, tento Thrustmaster produkt nemá materiálne chyby ani výrobné chyby.

V krajinách Európskej únie záručná doba zodpovedá obdobiu dvoch (2) rokov od dodania produktu Thrustmaster. V iných krajinách zodpovedá záručná doba lehote pre podanie reklamácie na produkt Thrustmaster podľa platných zákonov krajiny, v ktorej mal spotrebiteľ bydlisko k dátumu kúpy produktu Thrustmaster (ak takýto zákon v príslušnej krajine neexistuje, potom je záručná doba jeden (1) rok od pôvodného dátumu zakúpenia produktu Thrustmaster).

Bez ohľadu na vyššie uvedené, sa na nabíjateľné batérie vzťahuje záručná doba šiestich (6) mesiacov od dátumu nákupu.

Ak počas záručnej doby dôjde na produkte ku chybe, okamžite kontaktujte Technickú podporu, ktorá Vám oznámi ďalší postup. Ak je chyba potvrdená, produkt musí byť vrátený v mieste jeho nákupu (alebo na inom mieste uvedenom Technickou podporou).

V kontexte tejto záruky má Technická podpora možnosť rozhodnúť, či bude chybný produkt spotrebiteľa buď vymenený alebo opravený do funkčného stavu. Ak v priebehu záručnej doby podlieha produkt Thrustmaster takejto oprave, každá doba najmenej siedmich (7) dní, počas ktorých je výrobok nepoužiteľný, bude doplnená do zostávajúcej záručnej doby (toto obdobie začína plynúť od dátumu žiadosti spotrebiteľa alebo dátumom, kedy je daný výrobok dodaný na opravu, ak je dátum, kedy je výrobok dodaný na opravu po dátume podania žiadosti). Ak to umožňujú platné právne predpisy, plná zodpovednosť spoločnosti Guillemot a jej dcérskych spoločností (vrátane následných škôd) je obmedzená na návrat produktu do funkčného stavu alebo na výmenu produktu Thrustmaster. Ak to dovoľuje platné právo, spoločnosť Guillemot neposkytuje záruku obchodovateľnosti a spôsobilosti pre určité použitie.

Táto záruka sa nevzťahuje na: 1. ak bol výrobok opravený, otvorený, pozmenený alebo poškodený v dôsledku nevhodného alebo hrubého používania, nedbanlivosti, nehody, bežného opotrebenia, alebo akejkolvek inej príčiny nesúvisiacej s materiálou alebo výrobnou chybou (vrátane, nie však výlučne, kombinácie výrobku Thrustmaster s akýmkoľvek nevhodným prvkom, vrátane napájacích zdrojov, nabíjateľných batérií, nabíjačiek, alebo iných prvkov, ktoré Guillemot nedodáva pre tento výrobok); (2) ak bol výrobok použitý na akékoľvek iné použitie ako na domáce použitie, a to aj na profesionálne, alebo komerčné účely (napríklad herne, školenia, súťaže); (3) v prípade nedodržania pokynov poskytnutých Technickou podporou; (4) softvér, pričom uvedený softvér podlieha osobitnej záruke; (5) spotrebné materiály (prvky, ktoré sa majú vymeniť počas životnosti výrobku: napríklad jednorazové batérie, zvukové súpravy alebo slúchadlá); (6) na príslušenstvo (napríklad káble, puzdρά, vrecká, tašky, popruhy na zápästie); (7) ak bol výrobok predaný vo verejnej dražbe.

Táto záruka nie je prenosná.

Zákonné práva spotrebiteľa, pokiaľ ide o zákony platné pre predaj spotrebného tovaru v jeho alebo jej krajine, nie sú touto zárukou ovplyvnené.

Ďalšie záručné ustanovenia

Počas záručnej lehoty, Guillemot neposkytuje žiadne náhradné diely, vzhľadom na skutočnosť, že Technická podpora je jediná strana oprávnená otvoriť a/alebo opraviť akýkoľvek Thrustmaster produkt (Výnimkou je prípadné požiadanie Technickej podpory o nasledovanie písomných pokynov na opravy, ktoré má vykonať užívateľ - napríklad pre ich jednoduchosť a dostupné opravné postupy – a v prípade potreby dodanie náhradných dielov užívateľovi).

Kvôli inovačným cyklom a vzhľadom na ochranu know-how a obchodného tajomstva spoločnosti, Guillemot neposkytuje opravné postupy alebo náhradné diely na Thrustmaster produkty po uplynutí ich záručnej lehoty.

V Spojených štátoch amerických a v Kanade je táto záruka obmedzená na vnútorný mechanizmus výrobku a vonkajší kryt produktu. Guillemot ani jeho pridružené spoločnosti v žiadnom prípade nenesú zodpovednosť voči akejkolvek tretej strane za priame či nepriame vady plynúce z porušenia podmienok záruky. V niektorých krajinách, kde nie je príпустné obmedzenie alebo vylúčenie nepriamych škôd, či obmedzenie trvania záruk a podmienok, vyššie uvedené vylúčenie neplatí. Touto zárukou sú užívateľovi poskytnuté špecifické práva spolu s právami plynúcimi z právnej úpravy jednotlivých krajín.

Zodpovednosť

Ak to dovoľujú platné zákony, spoločnosť Guillemot Corporation S.A. (ďalej len "Guillemot") a jej dcérske spoločnosti nenesú žiadnu zodpovednosť za akékoľvek škody spôsobené jedným alebo viacerými z nasledujúcich prípadov: 1. výrobok bol upravený, otvorený alebo pozmenený; (2) nedodržali sa montážne inštrukcie; (3) nevhodné alebo hrubé používanie, nedbalosť, nehoda (napríklad náraz); (4) bežné opotrebenie; (5) používanie výrobku na akékoľvek iné použitie ako na domáce použitie, a to aj na profesionálne, alebo komerčné účely (napríklad herne, školenia, súťaže). Ak to dovoľujú platné zákony, spoločnosť Guillemot a jej dcérske spoločnosti nenesú žiadnu zodpovednosť za akékoľvek škody, ktoré nesúvisia s materiálou alebo výrobnou vadou vo vzťahu k výrobku (vrátane, nie však výlučne, za akékoľvek škody spôsobené priamo alebo nepriamo akýmkoľvek softvérom, alebo kombinácie výrobku Thrustmaster s akýmkoľvek nevhodným prvkom, vrátane napájacích zdrojov, nabíjateľných batérií, nabíjačiek alebo iných prvkov, ktoré Guillemot nedodáva pre tento výrobok).

THRUSTMASTER®

TECHNICKÁ PODPORA

<https://support.thrustmaster.com>



COPYRIGHT

© 2019 Guillemot Corporation S.A. Všetky práva vyhradené. Thrustmaster® je registrovanou ochrannou známkou spoločnosti Guillemot Corporation S.A. PlayStation® je registrovanou ochrannou známkou spoločnosti Sony Interactive Entertainment Inc. Windows® je registrovanou ochrannou známkou spoločnosti Microsoft Corporation v Spojených štátoch a/alebo ďalších krajinách. Každé ďalšie ochranné známky a obchodné značky sú týmto uznané a sú majetkom ich príslušných vlastníkov. Obrázky nie sú záväzné. Obsah, dizajn a špecifikácie sa môžu zmeniť bez predchádzajúceho upozornenia a môžu sa v jednotlivých krajinách líšiť. Vyrobené v Číne.

ODPORÚČANIE PRE OCHRANU ŽIVOTNÉHO PROSTREDIA



- * V Európskej únii: Na konci svojej životnosti by sa nemal tento produkt vyhodit' s bežným domovým odpadom, ale mal by byť odovzdaný na recykláciu v zbernom mieste na likvidáciu odpadu z elektrických a elektronických zariadení. Potvrdzujúci symbol o recyklácii nájdete na produkte, na návode na použitie alebo na obale. V závislosti od ich vlastností, môžu byť materiály recyklované. Prostredníctvom recyklácie a iných foriem spracovania odpadu z elektrických a elektronických zariadení môžete významne prispieť k ochrane životného prostredia. Pre získanie informácie o pre vás najbližšom možnom mieste odovzdania, kontaktujte miestne orgány.

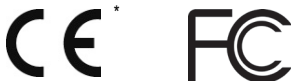
Pre všetky ostatné krajiny: Dodržujte miestne zákony o recyklácii elektrických a elektronických zariadení.

Ponechajte si tieto informácie. Farby a ozdobnosť sa môžu líšiť.

Plastové spony a lepiace pásky by sa mali z výrobku pred jeho použitím odstrániť.

www.thrustmaster.com

**Použiteľné len pre EÚ a Turecko*



T-LCM PEDALS

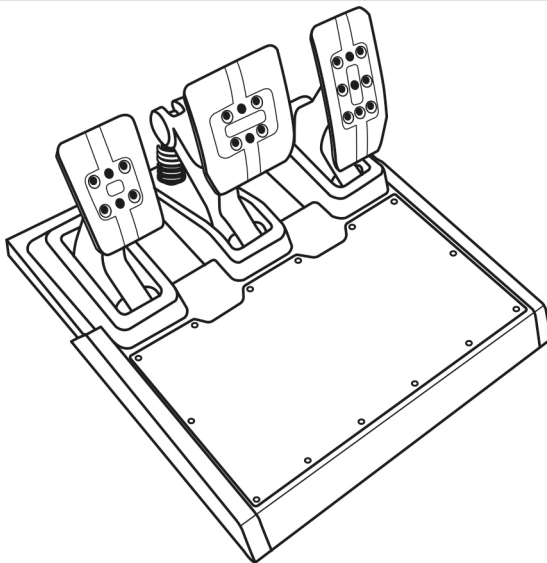
LOAD CELL & MAGNETICS

PC – PlayStation®4 – Xbox One®

Használati Útmutató

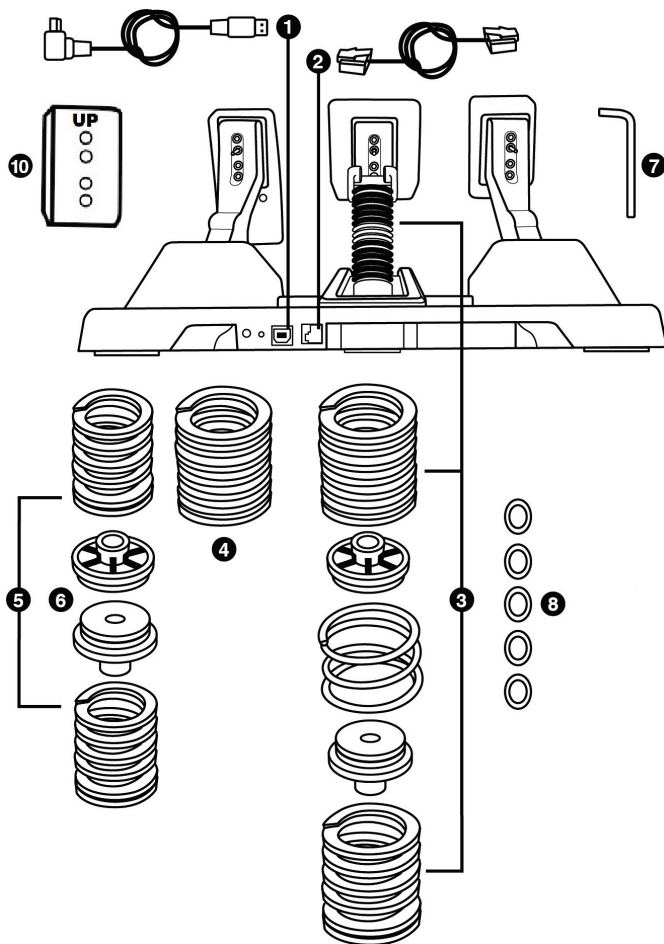


Használat előtt figyelmesen olvassa el az útmutatót és tartsa meg későbbi használatra.



MŰSZAKI LEÍRÁS

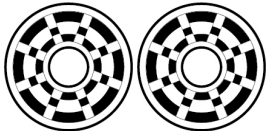
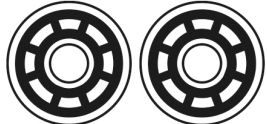
Általános áttekintés



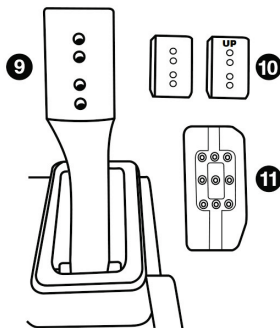
- 1 Eltávolítható USB kábel; USB csatlakozó a pedálszett hátulján található
- 2 Eltávolítható RJ12 kábel; RJ12 csatlakozó a pedálszett hátulján található
- 3 Közepes ellenállás, alapértelmezett beállítás (1 fekete F20 rugó + 1 szürke F15 rugó) (+ 1 krómbevonatú középső előfeszített rugó) (+ 2 jelölés nélküli rugótányér)
- 4 1 fehér F10 rugó
- 5 2 piros F30 rugó
- 6 2 rugótányér piros jelöléssel (kifejezetten az F30-as rugó használatához)
- 7 2.5 mm imbuszkulcs
- 8 5 lapos alátét (középső rugó előfeszítettségének csökkentéséhez vagy megszüntetéséhez)
- 10 Műanyag pedálfej támaszték függőleges álláshoz

Rugótányér

Kétféle rugótányért tartalmaz a csomag. Mindig az adott rugóhoz tartozó rugótányért kell használni.

	<p><u>Rugótányér színes jelölés nélkül</u> <u>(és barázdákkal)</u></p> <p>A következő rugókkal használandó: Fehér F10 Szürke F15 Fekete F20</p>
	<p><u>Rugótányér színes jelöléssel</u> <u>(és barázdák nélkül)</u></p> <p>Kifejezetten a következő rugóval használandó: Piros F30</p>

Pedálkar és fej



- 9 Fém pedálkar 4 lyukkal
- 10 Műanyag pedálfej támaszték (a pedálfej és a pedálkar közé kerül) 4 lyukkal
- 11 Fém pedálfej (különböző mennyiségű lyukakkal: 9 a gázpedálon; 6 a fékpedálon; 6 a kuplungon)

▲ NAGYON FONTOS ▲

A fékpedál ellenállásának változtatásakor ezt a folyamatot kell követni.

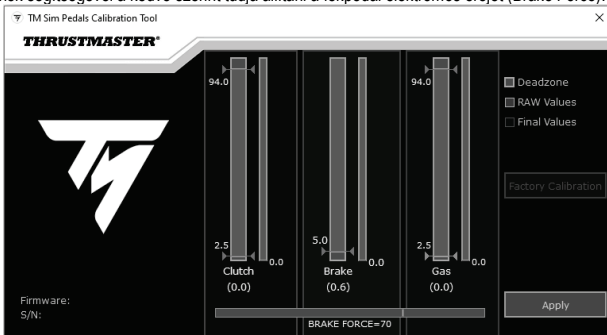
AZ USB kábel (1). segítségével csatlakoztassa a pedálszettet a PC-hez.

Az eltávolítható RJ12 kábel (2) ne legyen a pedálszethez csatlakoztatva a folyamat alatt.

Látogasson el a <https://support.thrustmaster.com> weboldalra. Kattintson a **Racing Wheels (Versenykormány)** / **T-LCM Pedals-ra**, majd válassza ki a **Software-t (Szoftver)**.

Töltse le és telepítse a kalibrációs szoftvert:

- Aminek a segítségével a kedve szerint tudja állítani mind a három pedál holtjátékot a pedálút elején.
- Aminek a segítségével a kedve szerint tudja állítani a gázpedál és kuplung holtjátékát a pedálút végén.
- Aminek segítségével a kedve szerint tudja állítani a fékpedál elektromos erejét (Brake Force).



Miután a beállítások megtörténtek, kattintson az **APPLY** gombra és húzza ki az eltávolítható USB kábelt (1). A beállításokat a pedálszett belső memóriája tárolja: minden játékon belül működnek PC-n és játékkonzolokon is.

A PEDÁLSZETT FIRMWAREJÉNEK FRISSÍTÉSE

A firmware frissítését csak akkor lehet elvégezni, ha a pedálszett csatlakoztatva van eltávolítható USB kábelen keresztül (1) a PC-hez.

A pedálszett részeként megtalálható firmwaret frissíteni lehet a legfrissebb verzióval a termék még tökéletesebb használata érdekében.

A firmware verzióját a kalibrációs szoftver kijelzőjének bal alsó sarkában találja meg.

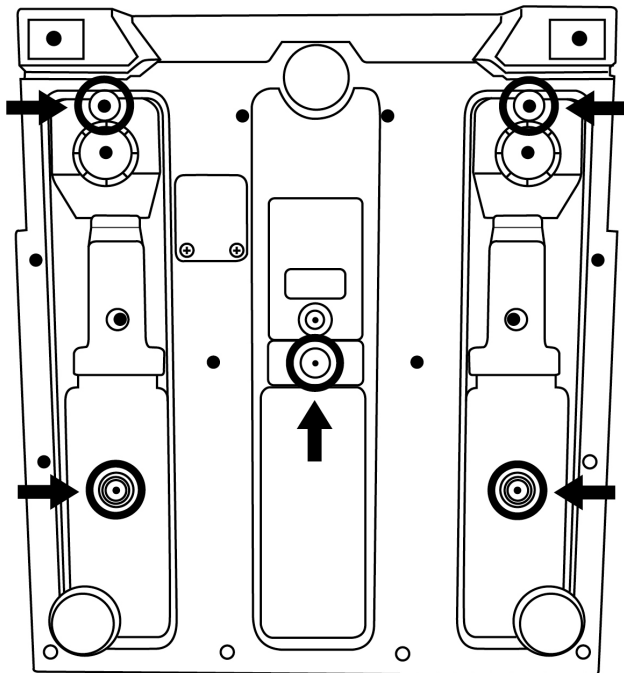
A frissítést a következő módon végezze: PC-n, látogasson el a <https://support.thrustmaster.com> weboldalra, kattintson a **Racing Wheels (Versenykormány)** / **T-LCM Pedals-ra**, majd válassza ki a **Firmware-t (Firmware)** és kövesse a letöltésre és telepítésre vonatkozó utasításokat és eljárást.

A PEDÁLSZETT RÖGZÍTÉSE VALAMILYEN FELÜLETRE VAGY SZIMULÁCIÓS ÜLÉSBE

A pedálszett számos (külön kapható) támasztékra rögzíthető az alap alján található M6-os csavarhelyek segítségével. A felületre való rögzítéshez, használjon legalább két M6 csavart (a csomag nem tartalmazza) melyeket az alap alján található lyukakba és a támasztékon erre a célra szolgáló lyukakba csavarozzon bele.



Fontos: az M6-os csavar hossza nem haladhatja meg a támasz felület vastagságát többel, mint maximum 0.47 inch/12 mm-el, nehogy kárt tegyen a pedálszett belső összetevőiben.



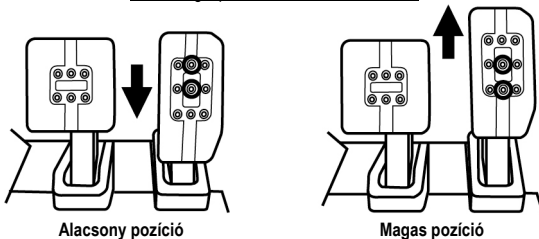
A pedálszett szimulációs vázhoz és más felülethez való rögzítéséhez a diagramot a <https://support.thrustmaster.com> weboldalon találja: kattintson a Racing Wheels (Versenykormány)/ T-LCM Pedals-ra, majd a Template - Cockpit setup-ra (Szimulációs váz beállításai ábra).

A PEDÁLSZETT MECHANIKAI BEÁLLÍTÁSAI

A pedálok magasságának beállítása

- A 2.5 mm-es imbuszkulcs (7) segítségével, csavarozza ki a fém pedálfejet (11) és a műanyag pedálfej támasztékot tartó (10) két csavart.
- Válassza ki az önnek megfelelő magasságot és húzza meg újra a tartócsavarokat.

Példák a gázpedálon keresztül bemutatva:



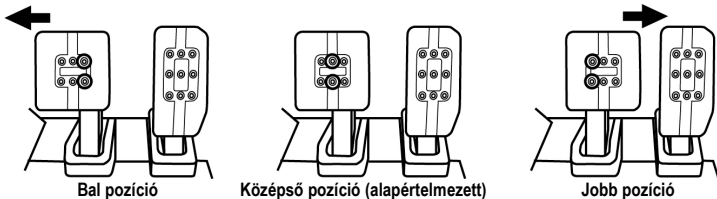
Lehetséges magasság beállítások száma pedálonként:

- 3 a gázpedál
- 2 a fékpedál
- és 2 a kuplung esetében

A három pedál távolságának beállítása

- A 2.5 mm-es imbuszkulcs (7) segítségével, csavarozza ki a fém pedálfejet (11) és a műanyag pedálfej támasztékot tartó (10) két csavart.
- Válassza ki az önnek megfelelő pozíciót (balra, középre vagy jobbra) és húzza meg újra a tartócsavarokat.

Példák a fékpedálon keresztül bemutatva:



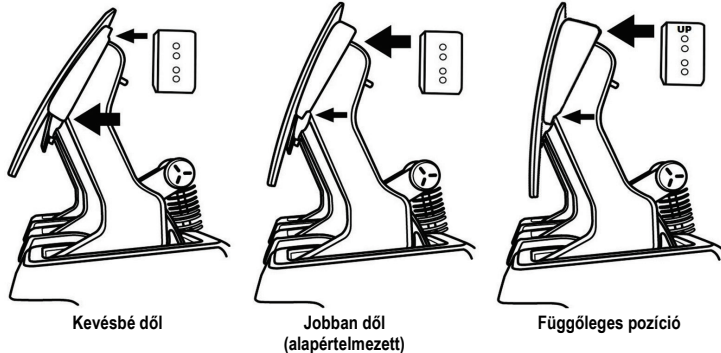
Lehetséges helyzet beállítások száma pedálonként:

- 3 a gázpedál
- 3 a fékpedál
- és 3 a kuplung esetében

A pedálok dőlésszögének beállítása

- A 2.5 mm-es imbuszkulcs (7) segítségével, csavarozza ki a fém pedálfejet (11) és a műanyag pedálfej támasztékot tartó (10) két csavart.
- Forgassa el a műanyag pedálfej támasztékot (10) 180°-al (vagy cserélje ki a pedálfejet), és húzza meg újra a tartócsavarokat.

Példák a gázpedálon keresztül bemutatva:



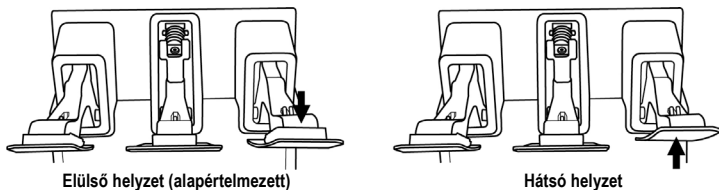
A pedálok dőlésszögének beállítási lehetőségei pedálonként:

- 3 a gázpedál
- 3 a fékpedál
- és 3 a kuplung esetében

A pedálok helyzetének beállítása

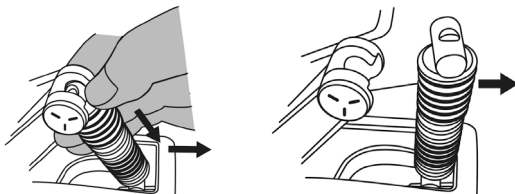
- Használja a műanyag pedálfej támasztékot (10), hogy a pedált előre felé tudja mozgatni.
- Távolítsa el a műanyag pedálfej támasztékot (10), hogy a pedált hátrafelé tudja mozgatni.

Példák a gázpedálon keresztül bemutatva:

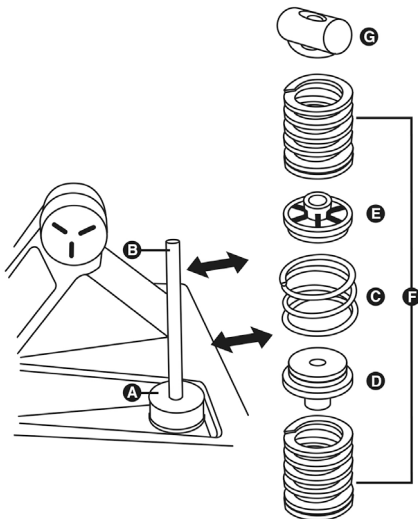


A fék ellenállásának változtatása

- Szüntesse meg a csatlakozást a pedálszett és a PC vagy játék konzol között és határozottan nyomja meg a rugósor tetején található rögzítő alátétjét (G) (a pedál hátulján található), és húzza hátra ezt az elemet, hogy szabaddá váljon a fém kartól.



- Szedje le a tartórúdon (B) található különböző elemeket.



A Load Cell erőhatás szenzor

⚠ Soha ne szedje le a tartórúdról!

B Rugósor tartó rúd

C Középső 4 spirális krómbevonatú előfeszített rugó

D Gumi rugótányér

E Műanyag rugótányér

F Fő 7 spirális rugó
(F10, F15, F20, F30)

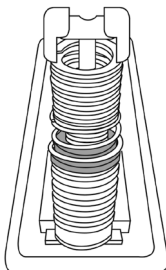
G Felső rögzítő alátéttel

A fékpedál ellenállása a fő rugók (**F**) kicserélésével vagy vegyes használatával állítható.

F rugó színe	Rúgóellenállás
<i>FEHÉR (1 db.)</i>	F10
<i>SZÜRKE (1 db.)</i>	F15
<i>FEKETE (1 db.)</i>	F20
<i>PIROS (2 db.)</i>	F30

- Cserélgesd a különböző elemek és fő rugók helyzetét (**F10, F15, F20 vagy F30**) a tartórúdon a kedved szerint (a megfelelő alátéteket használva).

Példa	Rúgóellenállás
1 fehér F10 rugó + 1 szürke F15 rugó	Gyenge ellenállás
1 szürke F15 rugó + 1 fekete F20 rugó (<i>alapértelmezett beállítás</i>)	Közepes ellenállás
2 piros F30 rugó	Erős ellenállás



Próbáld ki a különböző rugókat (számos különböző kombináció lehetséges), hogy megtaláld a hozzád legjobban illő ellenállást.

Miután az ellenállást módosította, csatlakoztassa a pedálszettet a PC-hez az USB kábelrel (1) keresztül, majd a kalibrációs szoftver segítségével kalibrálja be újra a fékpedált. Az új beállítás (az új fékpedál ellenállásának beállítása), automatikusan elmentődik a pedálszett belső memóriájába és minden PC-n és játékkonzolon működik.

▲ NAGYON FONTOS ▲

A pedálszett alapértelmezett gyári beállítása egy szürke F15 és egy fekete F20 rugóból (közepes ellenállás) áll. Amennyiben ön kicseréli a rugókat (és ez által az ellenállást módosítja), mindenképp végezze el az újrakalibrálást a kalibrációs szoftver segítségével PC-n: amennyiben ez nem történik meg, a fékpedál nem fog rendeltetésszerűen működni sem PC-n, sem játékkonzolon.

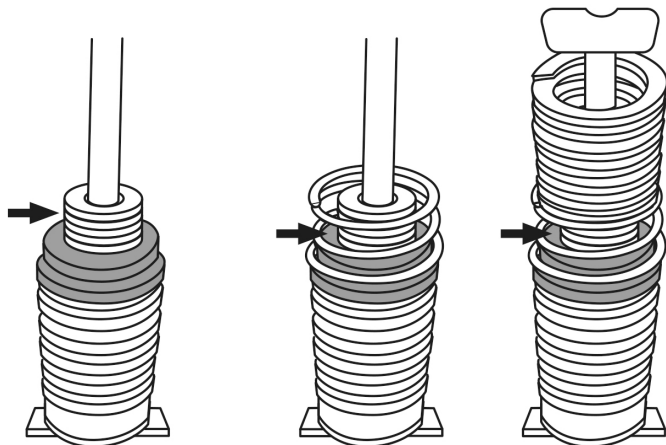
A fékpedál előfeszített hatásának csökkentése vagy teljes megszüntetése

Azoknak a játékosoknak, akik a lineáris fékellenállást részesítik előnyben, lehetőségük van a középső krómbevonatú előfeszített rugó (C) hatásának csökkentésére vagy teljes megszüntetésére.

Ennek érdekében, csúsztasson 1 – 5 darab alátétet a tartórúdra (8) a középső krómbevonatú előfeszített rugó közé (C).

Megjegyzés: Minél több alátétet tesz a tartórúdra, annál kevésbé lesz érezhető az előfeszítettség (vagy ha egy az egyben meg akarja szüntetni, használjon 5 alátétet).

Példa az előfeszítettség teljes megszüntetésére 5 alátét használatával:



Fontos:

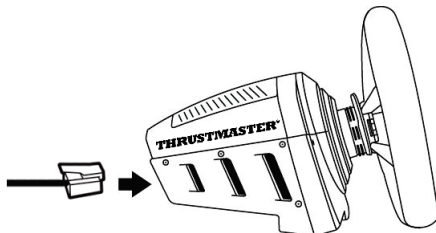
Az alátétek használata, a fékpedál mechanikai útját is rövidítik.

A PEDÁLSZETT HASZNÁLATA THRUSTMASTER KORMÁNYKERÉK ALAPPAL

= SZÜKSÉGE VAN AZ ELTÁVOLÍTHATÓ RJ12 KÁBELRE (2)

(Az eltávolítható USB kábel (1) semmiképpen ne legyen a pedálszethez csatlakoztatva ilyen típusú használat mellett.)

KOMPATIBILITÁS: PC ÉS JÁTÉKKONZOL



▲ NAGYON FONTOS ▲

Ahhoz, hogy a Thrustmaster versenykormány alaphoz (TS-PC Racer, T-GT, T300, T150, TS-XW, TX és TMX) csatlakoztatott pedálszett optimálisan működjön, frissítenie kell a versenykormány firmwarejét a legfrissebb verzióval, amit a <https://support.thrustmaster.com> weboldalon érhet el. Az új firmwarenek köszönhetően zavartalanul élvezheti a T-LCM Pedals magas szintű precíz működését és a kalibrációs szoftveren keresztül történő személyes beállítások lehetőségét.

- Miután a versenykormány alap firmwarejének frissítése megtörtént, csatlakoztassa a pedálszettet a versenykormány hátuljának alapjához az eltávolítható RJ12 kábel segítségével (2).
- Csatlakoztassa a versenykormányt a PC-hez vagy játékkonzolhoz.
- **A MODE LED 5-szor villan fel a versenykormány hátulján, amennyiben a pedálszettet az alap megfelelően felismerte az optimális használat érdekében.**

Amennyiben a **MODE LED** nem villan fel a fent leírt módon, az azt jelenti, hogy a versenykormány firmwareje nem lett a legfrissebb verzióval frissítve és a szuper precíz **T-LCM Pedals** pedálszettet standard **T3PA** vagy **T3PA PRO** típusú pedálszettként ismerte fel.

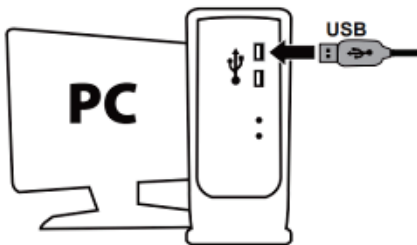
MOST MÁR NINCS MÁS DOLGA, MINT JÁTSZANI!

Megjegyzés: A fent leírt konfiguráció során a versenykormány állapot, egy hivatalos Thrustmaster kormánykerékkel használni. Amennyiben más termékkel használja, a pedálszettet nem a szuper precíz **T-LCM Pedals** pedálszettként fogja érzékelni.

A PEDÁLSZETT HASZNÁLATA NEM THRUSTMASTER VERSENYKORMÁNNYAL

(THRUSTMASTER VERSENYKORMÁNY ALAPPAL IS LEHETSÉGES)
= SZÜKSÉGE VAN AZ ELTÁVOLÍTHATÓ USB KÁBELRE (1)

KOMPATIBILITÁS: CSAK PC-VEL



- Csatlakoztassa a pedálszettet a PC egyik USB portjába az eltávolítható USB kábel (1) segítségével és fejezze be a program telepítését.
- Amikor a telepítés befejeződött, kattintson a **Finish** gombra majd indítsa újra a számítógépet.

MOST MÁR NINCS MÁS DOLGA, MINT JÁTSZANI!

Megjegyzés: amikor a pedálszett USB kábelén keresztül csatlakozik a PC-hez:

- A pedálszett, minden a piacon fellelhető versenykormánnyal kompatibilis, azokkal a játékokkal, melyek támogatják a multi-USB és különálló pedálszett használatát.
- Mindig teljesen zárja be a **Játékvezérlők** ablakot (az **OK** gombra kattintva), és a pedálszett kalibrációs szoftvert is mielőtt elkezdene a játékot.
- A pedálszett firmware verzióját, a kalibrációs szoftver bal alsó sarkában tudja ellenőrizni.

A PEDÁLSZETT CSATLAKOZTATÁSI LEHETŐSÉGEI A HASZNÁLT VERSENYKORMÁNY ÉS PLATRFORM TEKINTETÉBEN

	Pedálszett csatlakozás
JÁTÉKKONZOLON, THRUSTMASTER VERSENYKORMÁNNYAL	Eltávolítható RJ12 kábel (2)
PC-n, THRUSTMASTER VERSENYKORMÁNNYAL	Eltávolítható RJ12 kábel (2) vagy eltávolítható USB kábel (1)
JÁTÉKKONZOLON, NEM THRUSTMASTER VERSENYKORMÁNNYAL	Eltávolítható USB kábel (1)

FIGYELMEZTETÉS



Biztonsági okokból, soha ne használja a pedálokat mezítláb vagy csak zoknit viselve.

A THRUSTMASTER® SEMMILYEN SÉRÜLÉSÉRT NEM VÁLLAL FELELŐSSÉGET, AMI A PEDÁLOK CIPŐ NÉLKÜLI HASZNÁLATBÓL ERED.



Figyelmeztetés – Elektromos áramütés

- * Tartsa a terméket száraz helyen és ne tegye ki pornak vagy napfénynek.
- * Figyeljen oda a csatlakozók polaritására.
- * Ne csavarja vagy húzza meg a csatlakozót és kábelt.
- * A termék vagy a csatlakozója ne érintkezzen folyadékkal.
- * Ne zárja rövidre a terméket.
- * Soha ne szerelje szét a terméket (leszámítva a beállításokat segítő fentebb említett eseteket). Ne dobja tűzbe és ne tegye kis magas hőmérsékletnek.



Figyelmeztetés – Az ismétlődő mozdulatokból adód sérülések

A pedálszett használata izom vagy ízületi fájdalmakhoz vezethet. Hogy ezt elkerülje:

- * Ne játsszon túl sokáig egyszerre (óránként tartson 10-15 perc szünetet).
- * Ha fáradtságot vagy bármilyen fájdalmat érez a lábában vagy lábfejlében, hagyja abba a játékot és pihenjen pár órát az új játék megkezdése előtt.
- * Ha a fent említett tünetek vagy fájdalom újra jelentkezik játék közben, hagyja abba és keresse fel orvosát.



Figyelmeztetés – A pedálok becsípődést okozhatnak a játék közben

- * Tartsa a pedálokat a gyermekétől távol.
- * Játék közben, soha ne helyezze az ujjait (vagy egyéb testrészeit) a pedálokra vagy a pedálok közelébe.

SOHA



MÉG TÖBB TIPP A HASZNÁLATHOZ (a használati útmutató nem tartalmazza)

Még több hasznos tippet talál a <https://support.thrustmaster.com> weboldalon: kattintson a **Racing Wheels (Versenykormány) / T-LCM Pedals-ra**.

TERMÉKSZAVATOSSÁGI TÁJÉKOZTATÓ

A franciaországi központú Guillemot Coporation S.A. (továbbiakban "Guillemot") (székhelyének címe: Place du Granier, B.P. 97143, 35571 Chantepie, Franciaország) világszerte garantálja a vásárlóinak, hogy a Thrustmaster által forgalmazott termék anyag és gyártási hibáktól mentes és a meghatározott szavatossági időn belül a termékkel szemben a cég eljár, ha szükséges. Az Európai Unió országain belül ez a szavatossági idő a Thrustmaster termék kiszállításától számított két (2) év. Más országokban, a Thrustmaster termékekre vonatkozó szavatossági időre azon helyi jogszabályok alkalmazandók, ahol a vásárló a vásárlás ideje alatt állandó jelleggel tartózkodott (ha a szóban forgó országban nincsen ilyen jellegű törvénykezdése, abban az esetben a Thrustmaster termék eredeti idejének vásárlásától számítva a szavatossági idő egy (1) év).

A fent meghatározottak ellenére, az akkumulátorok szavatossági ideje a vásárlástól számított hat (6) hónapon belül lejár.

Amennyiben a szavatossági idő alatt a termékben meghibásodást észlel, úgy azonnal lépjen kapcsolatba a Vevőszolgálattal és ők megmondják mit kell tennie. Ha a meghibásodást jóváhagyják, a terméket vissza kell vinnie a vásárlás helyszínére (vagy a Vevőszolgálat által kijelölt helyre).

A jótállás keretein belül, a vásárló hibás termékét a Vevőszolgálat vagy kicseréli, vagy megjavítja. Ha, a szavatossági időn belül a Thrustmaster termék javítás alatt áll legalább (7) hét napig, abban az esetben, a kiesett napok számával a szavatossági idő meghosszabbítható (ezt az időszakot az alábbiak szerint kell számolni: vagy attól a dátumtól kezdve, amikor a vásárló panaszt tett vagy attól a dátumtól kezdve, amikor a termék javításra átadásra került, amennyiben ez a dátum nem esik egybe a panasztétel időpontjával). Ha az alkalmazandó jogszabályok megengedik, a Guillemot és a leányvállalatai (közvetett károkat is beleértve) egyaránt a Thrustmaster termék helyreállítására vagy annak a kicserélésre kell, hogy törekedjen. Ha az alkalmazandó jogszabályok megengedik, Guillemot a termék felhasználhatóságával és rendeltetésével kapcsolatban nem vállal garanciát.

A termékszavatosság nem érvényes: (1) ha a terméket bármilyen formában módosították, felnyitották, nem rendeltetészerűen használták, egyéb külső sérüléseknek tették ki, gondatlanul kezelték vagy normális mértékben elhasználódott és az ebből fakadó károk nem vezethetőek vissza a termék gyári meghibásodásra (beleértve, de nem kizárólagosan azt az esetet, amikor a Thrustmaster terméket valamilyen nem a Guillemot által forgalmazott tápegységgel, akkumulátorral, töltővel vagy egyéb eszközzel használták); (2) ha a terméket nem csak saját használatra, hanem szakmai vagy kereskedelmi célokra is felhasználták (pl.: játékszoba, tréning, versenyek); (3) ha a vásárló nem követte a Vevőszolgálat utasításait (4) szoftver hiba esetén. Arra más módon meghatározott jótállás érvényes; (5) fogyóeszközökre (olyan eszközök, amelyeket a termék élettartama alatt kell cserélni. Pl.: eldobható elemek, fejhallgató vagy headset fülpárna); (6) kiegészítőkre (pl.: kábelek, tokok, tasakok, táskák, csukló rögzítők); (7) ha a terméket aukció során vásárolták meg.

A jótállás nem átruházható.

A vásárló törvényes jogaira nincs hatással a termékszavatosság, akármilyen törvények is vonatkoznak a saját országában megvásárolt termékekre.

További termékszavatossággal kapcsolatos rendelkezések

A szavatossági idő alatt, Guillemot semmiféle alkatrészt nem bocsájthat a vásárló részére, mivel csak a Vevőszolgálatnak van kizárólagos joga ahhoz, hogy felnyisson és/vagy megszereljen akármilyen Thrustmaster terméket (kivételet képez az az eset, amikor a Vevőszolgálat külön írásos instrukciókkal látja el a vásárlót a szerelést illetően és az ehhez szükséges alkatrészeket is a rendelkezésére bocsájta pl.: ha nagyon egyszerű és titoktartást nem igénylő szerelési folyamatról van szó.)

Az innovációs ciklusra való tekintettel és a termék szabadalmának, illetve az üzleti titkának védelme érdekében, Guillemot nem tesz ígéretet olyan Thrustmaster termék javítására és nem szolgáltat hozzá alkatrészt, amelynek a termékszavatossága már lejárt.

Az Amerikai Egyesült Államokban és Kanadában a termékszavatosság csak a termék belső szerkezetére és a készülékházra terjed ki. Sem Guillemot, sem a partnerei nem vonhatóak felelősségre egy harmadik fél által, a közvetlen vagy közvetett garancia megszegése miatt fellépő esetleges károk miatt. Némely Államokban/Tartományokban nincs szabályozva, hogy mikor jár le a közvetett termékszavatosság vagy nincs meghatározva a felelősség mértéke vagy annak teljes kizárása közvetett vagy véletlenszerű károk okozása esetén. Ebben az esetben a fentebb említett szabályozások és kizárások nem vonatkoznak Önre. A termékszavatosság különleges törvényi jogokkal ruházza Önt fel, illetve más jogok is megilletik, amelyek államonként és tartományonként eltérhetnek.

Felelősségvállalás

Ha az alkalmazandó jogszabályok megengedik, a Guillemot Corporation S.A. (továbbiakban "Guillemot") és leányvállalatai nem vállalnak semmiféle felelősséget, ha a károk az alábbiak szerint keletkeztek: (1) a terméket bármilyen formában módosították vagy felnyitották; (2) nem tartották be az összeszerelési utasítást; (3) a terméket nem rendeltetészerűen használták, egyéb külső sérüléseknek tették ki (pl.: nyomásnak), gondatlanul kezelték; (4) a termék normális mértékben használódott el; (5) a terméket nem csak saját használatra, hanem szakmai vagy kereskedelmi célokra is felhasználták (pl.: játékszoba, tréning, versenyek). Amennyiben az alkalmazandó jogszabályok lehetővé teszik, úgy Guillemot és a leányvállalatai nem vállalnak felelősséget azon károkért, amelyek nem a termék minőségi vagy gyártási problémájából fakadnak. (beleértve, de nem kizárólagosan azt az esetet, amikor a károkat direkt vagy indirekt módon egy szoftver okozza vagy a Thrustmaster terméket valamilyen nem a Guillemot által forgalmazott tápegységgel, akkumulátorral, töltővel vagy egyéb eszközzel használták.)

THRUSTMASTER®

VEVŐSZOLGÁLAT

<https://support.thrustmaster.com>



SZERZŐI JOG

© 2019 Guillemot Corporation S.A. Minden jog fenntartva. A Thrustmaster® a Guillemot Corporation S.A. bejegyzett védjegye. A PlayStation® a Sony Interactive Entertainment Inc. bejegyzett védjegye. A Windows® a Microsoft Corporation bejegyzett védjegye az Egyesült Államokban és/vagy más országokban. Minden más védjegy és termék megnevezés a tulajdonos tulajdonában áll. Az illusztrációk nem kötelező érvényűek. A tartalom, a design és egyéb specifikációk bármikor módosíthatók további értesítés nélkül és országonként eltérhetnek. Kinában gyártva.

KÖRNYEZETVÉDELMI AJÁNLÁS



* Az Európai Unión belül: ha a termék élettartama lejárt, ne dobja ki a háztartási szeméttel együtt, hanem adja le egy az elektromos és elektronikus berendezések hulladékának újrafelhasználásáért felelős gyűjtőpontra. (WEEE)

Ezt az alábbi ikon is jelöli, amit a terméken, használati útmutatón és csomagoláson is megtalál.

Az anyag sajátosságaitól függően, újrafelhasználásra lehet alkalmas. Az újrafelhasználással és azzal, hogy az elektromos és elektronikus berendezések hulladék megsemmisítésének a módját követi, jelentősen hozzájárul a környezete védelméhez. Lépjen kapcsolatba a helyi önkormányzattal, hogy hol található az Önhöz

legközelebbi gyűjtőpont.

Nem Európai Unió országokban: Vegye figyelembe a helyi elektromos és elektronikus hulladék újrafelhasználásra vonatkozó törvényt.

Őrizze meg a tájékoztatót. A színek és díszítés eltérhetnek.

Távolítsa el a műanyag rögzítőket és ragasztószalagokat a használatba vétel előtt.

www.thrustmaster.com

*EU-ban és Törökországban alkalmazható



T.LCM PEDALS

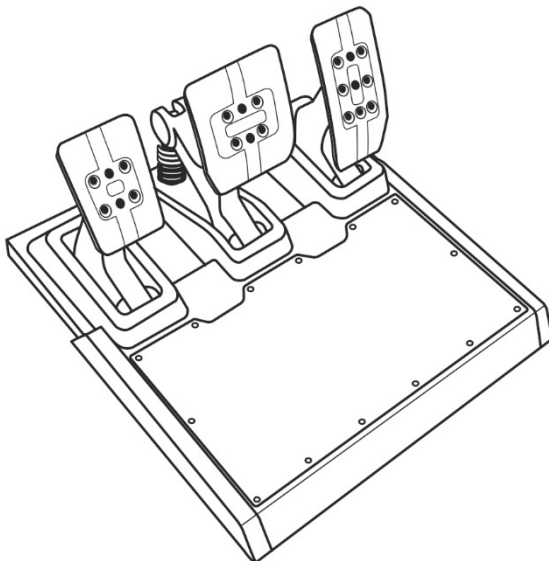
LOAD CELL & MAGNETICS

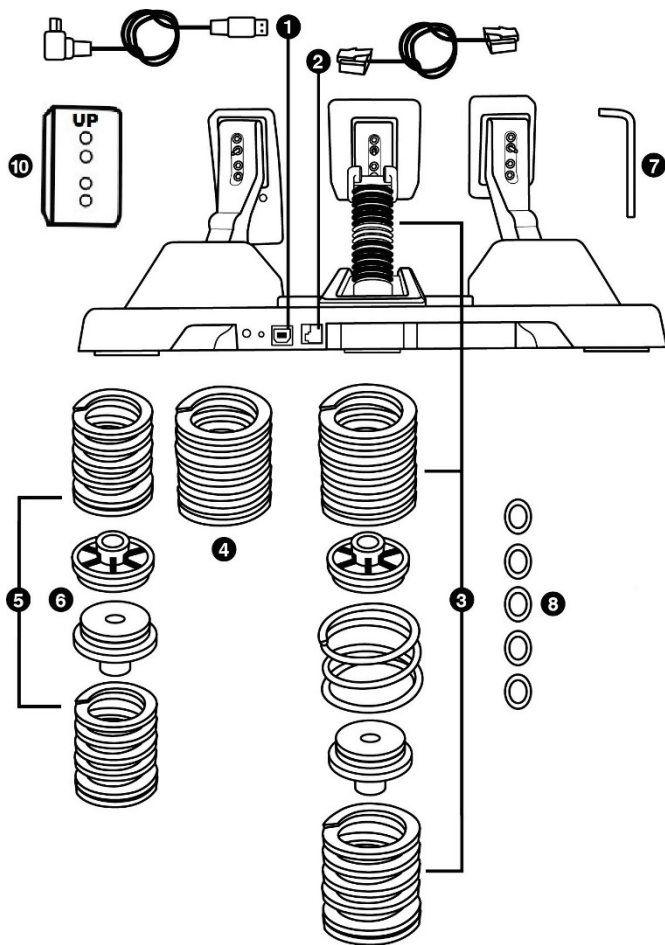
PC® - PlayStation®4 – Xbox One

מדריך למשתמש



לפני השימוש במוצר זה, אנא קראו את המדריך בעיון ושמרו אותו לעיון בעתיד.





- 4 קפיץ F10 לבן
- 5 קפיצי F30 אדומים
- 6 2 מתאמים עם סימונים באדום
(מיועד באופן ספציפי לשימוש עם קפיצי F30 אדומים)
- 7 מפתח אלן 2.5 מ"מ
- 8 5 דסקיות שטוחות (לצמצום או ביטול הדריכה המקדימה בקפיץ המרכזי בציפוי כרום)
- 10 תמיכת פלסטיק לראש הדוושה לדושות בזווית אנכית

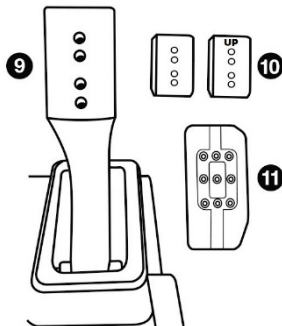
- 1 כבל USB מתפרק; מחבר USB בחלק האחורי של ערכת הדושות
- 2 כבל RJ21 מתפרק; מחבר 21RJ בחלק האחורי של ערכת הדושות
- 3 התנגדות בינונית, מותקן מראש כברירת מחל
- (1 קפיץ F20 שחור + 1 קפיץ F15 אפור)
(1+ קפיץ דרוך מרכזי בציפוי כרום)
(2+ מתאמים ללא סימונים)

מתאמים

כלולים 2 סוגי מתאמים. חשוב להשתמש במתאם הנכון בהתאם לסוג הקפיץ שנבחר.

<p><u>מתאמים ללא סימוני צבע</u> <u>(ועם חריצים)</u> לישימוש עם הקפיצים הבאים לבן F10 אפור F15 שחור F20</p>	
<p><u>מתאמים עם סימונים אדומים</u> <u>(וללא חריצים)</u> מיועד באופן ספציפי לשימוש עם הקפיצים הבאים: אדום R30</p>	

זרעות וראשי דושות



11 ראשי דוושה ממתכת עם מספר משתנה של חורים: (9 לדושת תאוצה; 6 לדושת בלימה; 6 לדושת מצמד)

9 זרוע דוושה ממתכת עם 4 חורים
10 תמיכת פלסטיק לראש דוושה (תמוקם בין ראש זרוע הדוושה) עם 4 חורים

⚠️ חשוב מאוד ⚠️

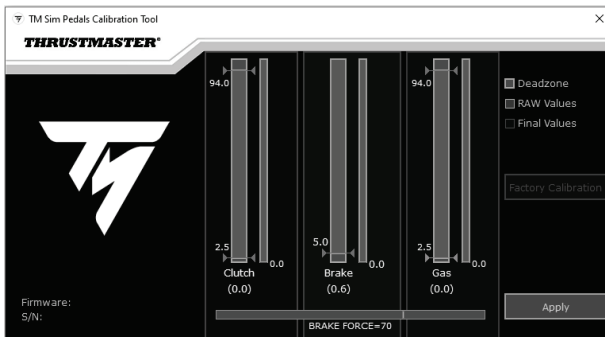
יש לבצע את הפעולה הזו בעת שינוי ההתנגדות בדוושת הבלם.

חברו את ערכת הדוושות ל-PC באמצעות כבל ה-USB המתפרק (1).
אין לחבר את כבל ה-RJ21 המתפרק (2) לערכת הדוושות בביצוע תהליך זה.

בקרו ב-<https://support.thrustmaster.com>. הקליקו על Racing Wheels / T-LCM Pedals (הגאי מרוץ) וברו Software (תוכנה).

הורידו והתקיפו את תוכנת הכיוול:

- לכיוון האזורים המתים בתחילת טווח התנועה לכל שלוש הדוושות בהתאם להעדפותיכם.
- לכיוון האזורים המתים בסיום טווח התנועה בדוושת התאוצה ודוושת המצמד בהתאם להעדפותיכם.
- לכיוון הכוח האלקטרוני (Brake Force) בדוושת הבלימה בהתאם להעדפותיכם.



לאחר קביעת ההגדרות השונות, לחצו על APPLY ונתקו את כבל ה-USB המתפרק (1).
ההגדרות תישמרה בזיכרון הפנימי של ערכת הדוושות: הן תחולנה בכל המשחקים שלכם, ב-PC ובקונסולות משחקים.

עדכון קושחת ערכת הדוושות

לעדכון הקושחה, יש לחבר את ערכת הדוושות ל-PC באמצעות כבל ה-USB המתפרק (1).

הקושחה הכלולה בערכת הדוושות ניתנת לעדכון בגרסאות מעודכנות יותר המאפשרות שיפורים במוצר.
גרסת הקושחה מוצגת בפינה השמאלית התחתונה של תוכנת הכיוול.

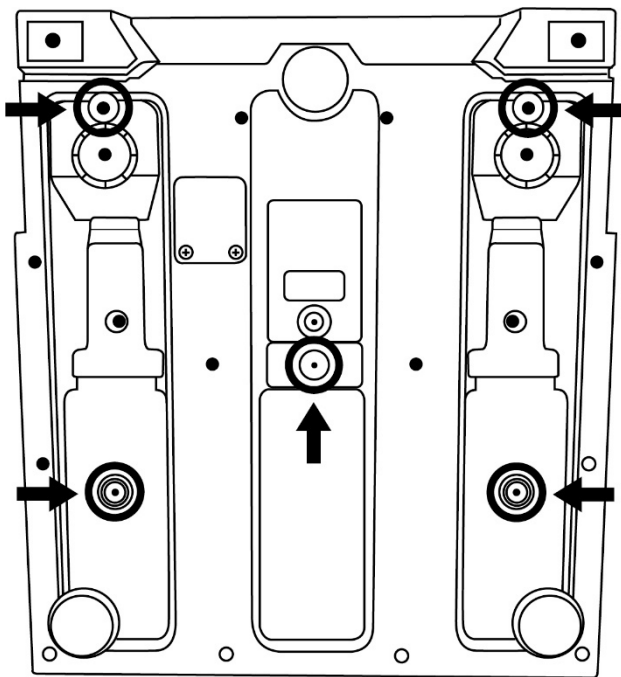
לעדכון קושחת ערכת הדוושות: ב-PC בקרו ב-<https://support.thrustmaster.com>. בקרו ב-Racing Wheels / T-LCM Pedals (הגאי מרוץ). בחרו Firmware (קושחה) ופעלו על פי הוראות ותהליך ההתקנה.

חיבור ערכת הדוושות לאביזר תמיכה או לקוקפיט

ניתן לחבר את ערכת הדוושות למגוון אביזרי תמיכה שונים (נמכרים בנפרד) בעזרת חמשת פתחי ההברגה M6 המצויים מתחת לבסיס. לצורך כך, הבריגו לפחות שני ברגי M6 (לא כלולים) דרך מדף התמיכה ולתוך פתחי ההברגה שבחלק התחתון של בסיס ערכת הדוושות.



חשוב: אסור שאורך ברגי ה-M6 יעלה על עובי אביזר התמיכה שלכם ביותר מ-12 מ"מ על מנת למנוע נזק לרכיבים הפנימיים של ערכת הדוושות.



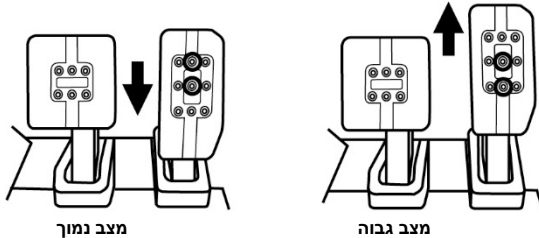
ניתן לעיין בתרשים ההתקנה של ערכת הדוושות לקוקפיטים ואביזרי תמיכה אחרים ב- בקרו ב- <https://support.thrustmaster.com>. הקליקו על Racing Wheels / T-LCM Pedals (הגאי מרוץ) ואז על Template-Cockpit setup (תבנית - הגדרת קוקפיט).

הגדרות מכאניות לערכת הדוושות

התאמת גובה הדוושות

- באמצעות מפתח האלן 2.5 מ"מ הכלול (7), שחררו את שני הברגים המקבעים את ראש הדוושה המתכת (11) ואת תומך הפלסטיק שלו (10).
- בחרו את המצב המועדף עליכם מבחינת גובה וחזקו מחדש את כל החלקים תוך שימוש בברגים.

דוגמאות עם דוושת התאוצה



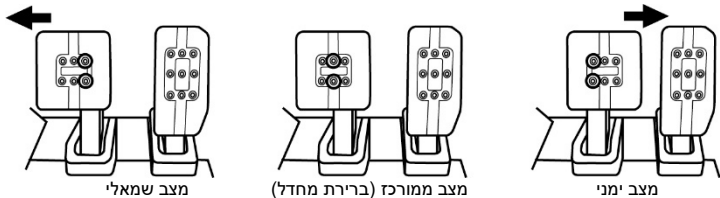
מספר אפשרויות גובה שונות לכל דוושה

- 3 לדוושת התאוצה
- 2 לדוושת הבלם
- 2 לדוושת המצמד

התאמת הרווחים בין שלוש הדוושות

- באמצעות מפתח האלן 2.5 מ"מ הכלול (7), שחררו את שני הברגים המקבעים את ראש הדוושה המתכת (11) ואת תומך הפלסטיק שלו (10).
- בחרו את המצב המועדף עליכם (לשמאל, למרכז או לימין) מבחינת גובה וחזקו מחדש את כל החלקים תוך שימוש בברגים.

דוגמאות עם דוושת הבלם



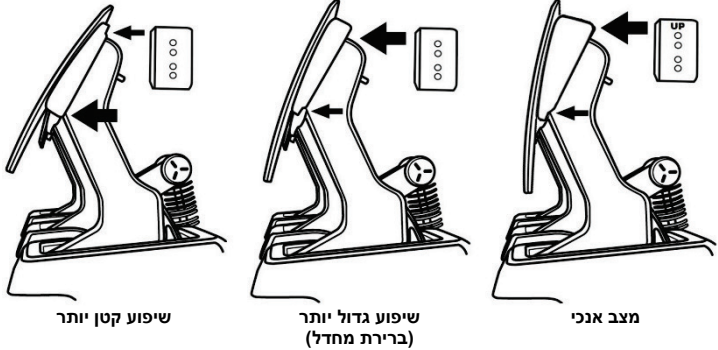
מספר אפשרויות גובה שונות לכל דוושה

- 3 לדוושת התאוצה
- 3 לדוושת הבלם
- 3 לדוושת המצמד

התאמת השיפוע של הדוושות

- באמצעות מפתח האלן 2.5 מ"מ הכלול (7), שחררו את שני הברגים המקבעים את ראש הדוושה המתכת (11) ואת תומך הפלסטיק שלו (10).
- לאחר מכן, סובבו את תומך ראש הדוושה מפלסטיק (10) 81° או החליפו אתו (ואז חברו את הכול באמצעות הברגים).

דוגמאות עם דוושת התאוצה



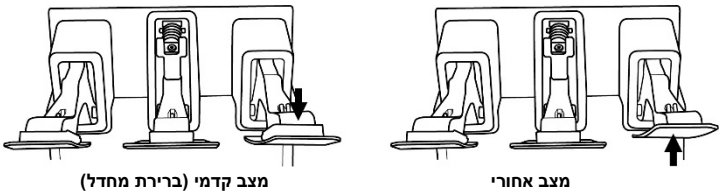
מספר אפשרויות גובה שונות לכל דוושה

- 3 לדוושת התאוצה
- 3 לדוושת הבלם
- 3 לדוושת המצמד

התאמת היישור של הדוושות

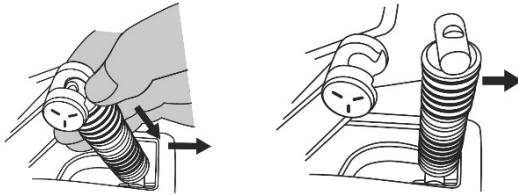
- התקינו את תומך הפלסטיק לראש הדוושה (10) על מנת להזיז את הדוושה קדימה.
- הסירו את תומך הפלסטיק לראש הדוושה (10) על מנת להזיז את הדוושה אחורה.

דוגמאות עם דוושת התאוצה

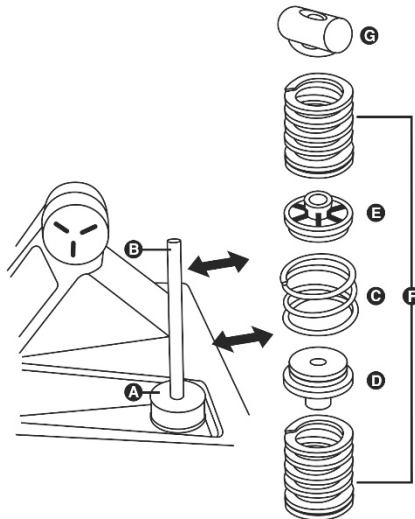


שינוי התנגדות דוושת הבלימה

- נתקו את ערכת הדוושות מה-PC או קונסולת המשחקים ולחצו חזק על הדסקית שבראש הקיבוע העליון (G) (בחלק האחורי של הדוושה) ומשכו את הרכיב אחורה כדי לשחרר אותו מזרוע המתכת.



- הסירו רכיבים שונים ממוט הקיבוע (B).



D מתאם גומי
E מתאם פלסטיק
F מתאמים ראשיים עם 7 ספירלות
(F20F, 30, F10F, 15)
G ראש ודסקית קיבוע עליונים

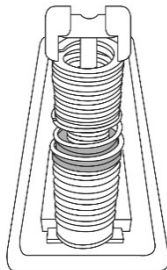
A חיישן עוצמת Load Cell
⚠ לעולם אין להסיר אותו ממוט הקיבוע!
B מוט קיבוע לטור הקפיצים
C קפיץ מרכזי דרוך מכרום עם 4 ספירלות

ניתן להתאים את ההתנגדות בדושת הבלימה בהחלפת או שילוב הקפיצים הראשיים F.

התנגדות הקפיץ	צבע קפיץ F
F10	לבן (1 כלול)
F15	אפור (1 כלול)
F20	שחור (1 כלול)
F30	אדום (2 כלולים)

- שנו את מיקום הרכיבים השונים והקפיצים הראשיים (20, 15F, F10F או 30F) לפי בחירתכם (ביחד עם המתאמים המתאימים) במוט הקיבוע.

התנגדות	דוגמה
התנגדות חלשה	1 קפיץ F10 לבן + 1 קפיץ F15 אפור
התנגדות בינונית	1 קפיץ F15 אפור + 1 קפיץ F20 שחור (מותקן כבריית מחדל)
התנגדות חזקה	2 קפיצי F30 אדומים



אל תהססו לערבב ולבדוק קפיצים שונים (ניתן להשתמש במגוון שילובים) על מנת למצוא את רמת ההתנגדות שהכי מתאימה לכם.

לאחר ששיניתם את מידת ההתנגדות, חברו את ערכת הדושות ל-PC באמצעות כבל ה-USB המתפרק (1) ובצעו כיוול מחדש של דושת הבלימה באמצעות תוכנת הכיוול. כיוול חדש זה (המתייחס להתנגדות החדשה בדושת הבלימה) יישמר באופן אוטומטי בזיכרון הפנימי של ערכת הדושות ויפעל בכל המשחקים שלכם ב-PC וקונסולות משחק.

⚠ חשוב מאוד ⚠

כיוול ברירת המחדל במפעל מתבצע עם קפיץ F15 אפור אחד וקפיץ F20 שחור אחד (התנגדות בינונית). אם תחליפו את הקפיצים הללו (וכך גם את ההתנגדות בדושת הבלימה), עליכם לכייל מחדש את דושת הבלימה באמצעות תוכנת הכיוול ב-PC: אם לא, דושת הבלימה לא תפעל כנדרש ב-PC או בקונסולות משחק.

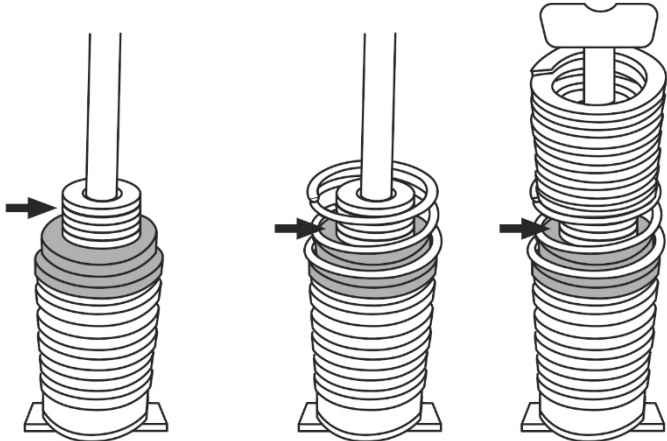
צמצום או ביטול אפקט הדריכה המוקדמת של דושת הבלימה

למשתמשים אשר מעדיפים התנגדות בלימה לינארית יותר, ניתן לצמצם או לבטל את אפקט הדריכה המוקדמת בקפיץ הדריכה המוקדמת המרכזי המצופה כרום (C).

לצורך כך, הלבישו 1-5 דסקיות שטוחות (8) על מוט הקיבוע, באמצע קפיץ הדריכה המוקדמת המרכזי המצופה כרום (C).

שימו לב: ככל שתוסיפו יותר דסקיות שטוחות, כך יקטן אפקט הדריכה המוקדמת (או יבוטל כליל, אם תשתמשו בכל 5 הדסקיות השטוחות).

דוגמה לביטול אפקט הדריכה המוקדמת באמצעות כל 5 הדסקיות השטוחות:



חשוב:

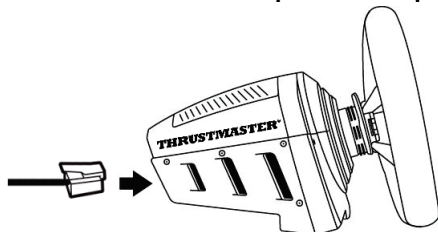
הוספת הדסקיות השטוחות תגרום גם לצמצום הטווח המכאני של דושת הבלימה.

שימוש בערכת הדוושות עם בסיס הגה מירוץ THRUSTMASTER

= יש צורך בכבל RJ12 (2) מתפרק

(אין להבר את כבל ה-USB המתפרק (1) לערכת הדוושות בשימוש מסוג זה.)

תאימות: PC וקונסולות משחק



⚠ חשוב מאוד ⚠

על מנת להבטיח תפעול אופטימלי של ערכת הדוושות המחוברת ישירות לבסיס הגה מירוץ Thrustmaster (Racer TS-PC, T-GT, T300, T150, TS-WX, XT ו-XMT), עליכם לעדכן את קושחת בסיס הגה המירוץ בגירסה האחרונה ב- <https://support.thrustmaster.com>.

. קושחה חדשה זו תאפשר לכם להפיק את המירב מרמת הדיוק הגבוהה של ערכת הדוושות T-LCM ותאפשר לכם להשתמש בהגדרות האישיות שנעשו באמצעות תוכנת הכיול.

- לאחר עדכון קושחת בסיס הגה המירוץ Thrustmaster, חברו את ערכת הדוושות בחלק האחורי של בסיס הגה המירוץ באמצעות כבל RJ12 המתפרק (2).

- חברו את הגה המירוץ ל-PC או לקונסולת המשחק שלכם.

- נורת **MODE** שעל בסיס הגה המירוץ שלכם תהבהב 5 פעמים כדי לציין שערכת הדוושות זוהתה לצורך תפעול אופטימלי.

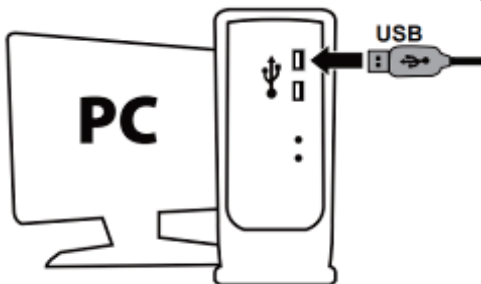
במקרה שנורת ה-**MODE** אינה מהבהבת כאמור לעיל, הרי שבסיס הגה המירוץ שלכם לא עודכן בקושחה העדכנית ביותר וערכת הדוושות אינה מזוהה כערכת דוושות **T-LCM Pedals** מדויקת, אלא כערכת דוושות סטנדרטית מסוג **T3PA** או **T3PA Pro**.

קעת אתם מוכנים להתחיל לשחק!

שימו לב: בקונפיגורציה זו, יש להתקין גלגל הגה Thrustmaster רשמי על בסיס הגה המירוץ שלכם. אם לא, ערכת הדוושות לא תזוהה כערכת דוושות **T-LCM Pedals** מדויקת.

**שימוש בערכת הדושות עם בסיס הגה מירוח שאינו THRUSTMASTER
(אפשרי גם עם בסיס הגה מירוח THRUSTMASTER)
= יש צורך בכבל USB (1) מתפרק**

תאימות: PC בלבד



- חברו את ערכת הדושות לאחד מפתחי ה-USB ב-PC שלכם באמצעות כבל ה-USB במתפרק (1) והשלימו את התקנת הדרייברים.
- עם סיום התקנת הדרייברים, לחצו **Finish** ואתחלו את המחשב.

קעת אתם מוכנים להתחיל לשחק!

הערות ל-PC כאשר ערכת הדושות מחוברת באמצעות כבל ה-USB:

- ערכת הדושות מתאימה לשימוש עם כל הגאי המירוח בשוק במשחקים התומכים בחיבור מרובה USB וערכות דושות נפרדות.
- זכרו תמיד לסגור את חלון Game Controllers (בקרי משחק) (בלחיצה על OK) ואת תוכנת הכיול של ערכת הדושות לפני תחילת המשחק.
- קושחת ערכת הדושות מוצגת בפינה השמאלית התחתונה של תוכנת הכיול.

סקירה לחיבור ערכת הדושות על פי הגה המירוח והפלטפורמה שבשימוש

חיבור ערכת הדושות	
כבל RJ12 מתפרק (2)	בקונסולת משחק עם הגה מירוח Thrustmaster
כבל RJ12 מתפרק (2) או כבל USB מתפרק (1)	ב-PC עם הגה מירוח Thrustmaster
כבל USB מתפרק (1)	ב-PC עם הגה מירוח שאינו Thrustmaster



לשמירה על בטיחות, אין להשתמש בערכת הדוושות ברגליים יחפות או עם גרביים בלבד.
THRUSTMASTER® מסירה כל אחריות במקרה של פגיעה הנובעת משימוש בערכת הדוושות ברגליים יחפות.



אזהרה מכת חשמל

- * שמרו את המוצר במקום יבש ואל תחשפו אותו לאבק או לשמש.
- * יש להקפיד על קוטביות החיבורים
- * אין לסובך או למשוך את המחברים והכבלים.
- * אין לשפוך נוזל על המוצר או המחברים שלו.
- * אין לקצר את המוצר.
- * אין לפרק את המוצר (מלבד העדכונים המצוינים במדריך זה). אין להשליך לאש ואין לחשוף לטמפרטורות גבוהות.



אזהרה - פציעות בשל תנועות חזרתיות

- * המשחק בערכת הדוושות עלולה לגרום לכאבי שרירים או מפרקים. למניעת בעיות: יש להימנע ממשחקים ממושכים (צאו להפסקה בת 10-15 דקות לאחר כל שעת משחק).
- * אם אתם חשים עייפות או כאב ברגליים או בכפות הרגליים, הפסיקו לשחק ונחו למשך מספר שעות לפני שתחילו לשחק שוב.
- * אם התסמינים או הכאבים שלעיל נמשכים כאשר אתם חוזרים לשחק, הפסיקו לשחק והתייעצו עם הרופא שלכם.



אזהרה - סכנת צביטה בערכת הדוושות במהלך משחקים

- * הרחיקו את ערכת הדוושות מהישג ידם של ילדים
- * במהלך משחק, אין להניח את האצבעות (או כל איבר אחר) על איד זרועות הדוושות

אף פעם לא



טיפים והמלצות (לא כוללים במדריך זה)

ניתן למצוא מגוון טיפים והמלצות ב- בקרו ב- <https://support.thrustmaster.com>. הקליקו על Racing Wheels / T-MCL Pedals (הגאי מרוץ).

Place du Granier, B.P. 97143 35571, S.A. Guillemot Corporation, שמשרדיה הרשומים ב-, Chantepie, France (להלן: "Guillemot") מתחייבת לצרכן ברחבי העולם כי מוצר Thrustmaster זה יהיה נקי מפגמים בחומרים ובעבודה למשך תקופת אחריות התואמת את פרק הזמן להגשת תביעת תאימות ביחס למוצר זה. במדינות האיחוד האירופי, פרק הזמן האמור הוא שנתיים (2) ממועד אספקת מוצר Thrustmaster. במדינות אחרות, תקופת האחריות תואמת את פרק הזמן להגשת תביעת תאימות ביחס למוצר ה-Thrustmaster על פי החוקים החלים במדינה בה התגורר הצרכן בעת רכישת מוצר Thrustmaster (בהיעדר הגדרה כאמור במדינה הרלוונטית, תקופת האחריות תהיה לשנה אחת (1) מתאריך הרכישה המקורי של מוצר ה-Thrustmaster). על אף האמור לעיל, סוללות נטענות מכוסות בתקופת אחריות בת שישה (6) חודשים מתאריך הרכישה המקורי.

במקרה והמוצר נראה פגום במהלך תקופת האחריות, פנו מייד למחלקת התמיכה הטכנית, אשר תספק לכם הוראות להמשך הטיפול. אם הפגם מאומת, יש להחזיר את המוצר לנקודת הרכישה (או לכל מקום אחר שייקבע על ידי מחלקת התמיכה הטכנית). במסגרת אחריות זו, המוצר הפגום של הצרכן יוחלף או יתוקן על פי בחירת מחלקת התמיכה הטכנית. אם, במהלך תקופת האחריות, מוצר ה-Thrustmaster נמצא בתיקון, כל תקופה עד שבעה (7) ימים בהם המוצר אינו בשימוש, תוסף לתרת תקופת האחריות (התקופה מתחילה עם בקשת הצרכן להתערבות או מהתאריך בו המוצר נמסר לתיקון, אם התאריך בו המוצר נמסר לתיקון הוא אחרי תאריך בקשת ההתערבות). במידה והדבר מותר על פי החוק החל, מלוא החבות של Guillemot וחברות הבת שלה (לרבות נזקים תוצאתיים) מוגבלת להחזרת מוצר ה-Thrustmaster לפעולה או החלפתו. במידה והדבר מותר על פי החוק החל, Guillemot מסירה כל אחריות לסחירות או התאמה למטרה מסוימת.

האחריות לא תחול: (1) אם המוצר שונה, נפתח, עודכן או ניזוק כתוצאה משימוש בלתי הולם, רשלנות, תאונה, בלאי סביר או כל גורם אחר שאינו קשור בפגם בחומרים או בייצור (לרבות, אך ללא הגבלה, שילוב מוצר Thrustmaster עם כל מרכיב בלתי הולם, לרבות בעיקר ספקי כוח, סוללות נטענות, מטענים או כל רכיב אחר שאינו מסופק למוצר זה על ידי Guillemot); (2) אם המוצר שימש לכל מטרה שהיא מעבר לשימוש ביתי; לרבות למטרות מקצועיות או מסחריות (למשל, חדרי משחקים, הדרכה, תחרויות); (3) במקרה של אי עמידה בהוראות ממחלקת התמיכה הטכנית; (4) על תוכנה, כאשר התוכנה כפופה לאחריות ספציפית; (5) לרכיבים מתכלים (רכיבים שיוחלפו לאורך חי המוצר: כגון סוללות חד פעמיות, אוזניות או רפידות לאוזניות); (6) על אביזרים (כגון כבלים, מאזינים, תיקים, רצועות); (7) אם המוצר נמכר במכירה פומבית.

האחריות אינה ניתנת להעברה. אחריות זו לא תשפיע על הזכויות החוקיות של הצרכנים ביחס לחוקים החלים על מכירת מוצרי צריכה בארץ שלהם.

הוראות אחריות נוספות

בתקופת האחריות, Guillemot לא תספק חלקי חילוף באופן עקרוני שכן מחלקת התמיכה הטכנית היא הגוף היחיד המוסמך לפתוח ו/או לתקן כל מוצר Thrustmaster שהוא (לא כולל נהלי טיפול שעשויה מחלקת התמיכה הטכנית לבקש מהצרכנים בהוראות בכתב - למשל, בשל פשטות התיקון היעדר הסודיות בתהליך התיקון - ותוך אספקת חלקי) החילוף לצרכנים כנדרש, בהתאם לעניין). בהתחשב במחזורי החדשנות שלה ובמטרה להגן על הידע והסודיות המסחריים שלה, Guillemot לא תספק, באופן עקרוני, כל הודעת תיקון או חלקי חילוף למוצר Thrustmaster שתקופת האחריות לגביה פקעה.

בארה"ב ובקנדה, אחריות זו מוגבלת למנגנון הפנימי ולזיודו הייצוני של המוצר. Guillemot והחברות השותפות לה לא תהינה אחראיות כלפי צד שלישי בגין נזקים תוצאתיים או נלווים הנובעים מתוך ההפרה של כל התחייבות מפורשת או מרומזת. ישנן מדינות/מחוזות שאינן מאשרות הגבלה על תקופת אחריות מרומזת או החרגה או הגבלת חבות בגין נזקים תוצאתיים או נלווים, לכן ייתכן כי ההגבלות או ההחרגות לעיל אינן חלות עליכם. האחריות מקנה לכם זכויות חוקיות ספציפיות וייתכן שעומדות לרשותכם זכויות נוספות המשתנות ממדינה למדינה או ממחוז למחוז.

חבות

במידה והדבר מותר על פי חוק, Guillemot Corporation S.A. (להלן: "Guillemot") וחברות הבת שלה מסירות כל חבות בגין נזקים שנגרמו על ידי אחד או יותר מהבאים: (1) המוצר שונה, נפתח או עודכן; (2) אי עמידה בהוראות ההרכבה; (3) שימוש בלתי הולם או בלתי ראוי, רשלנות, תאונה (כגון התנגשות); (4) בלאי סביר; (5) שימוש לכל מטרה שהיא מעבר לשימוש ביתי, לרבות למטרות מקצועיות או מסחריות (למשל, חדרי משחקים, הדרכה, תחרויות). במידה והדבר מותר על פי חוק, Guillemot וחברות הבת שלה מסירות על חבות בגין נזקים שאינם קשורים בפגם בחומרים או בייצור (לרבות, אך ללא הגבלה, נזקים שנגרמו על ידי תוכנה כלשהי באופן ישיר או עקיף, או משילוב מוצר Thrustmaster עם כל מרכיב בלתי הולם, לרבות בעיקר ספקי כוח, סוללות נטענות, מטענים או כל רכיב אחר שאינו מסופק למוצר זה על ידי Guillemot.

THRUSTMASTER®

תמיכה טכנית

<https://support.thrustmaster.com>



זכויות יוצרים

© 2019 Guillemot Corporation S.A. כל הזכויות שמורות. Thrustmaster® הוא סמל מסחרי שם של Guillemot Corporation S.A. PlayStation® הוא סמל מסחרי שם של Sony Corporation בארה"ב ו/או במדינות אחרות. כל יתר הסימנים המסחריים ושמות המתגים מוכרים ומהווים את הרכוש של בעליהם בהתאמה. האירוס אינם מחייבים. תוכן, עיצובים ומפרטים נתונים לשינוי ללא הודעה ועשויים להשתנות ממדינה למדינה. תוצרת סין.

המלצת איכות הסביבה

באיחוד האירופי: עם סיום חיי המוצר, אין להשליך אותו ביחד עם פסולת ביתית, אלא למסור אותו לתחנת איסוף להשלכת פסולת חשמלית או אלקטרונית (WEEE) לצורך מחזור. הוראה זו מציינת באמצעות הסימן המופיע על המוצר, מדריך השימוש או האריזה.



בהתאם לתכונותיהם, ניתן למחזר את החומרים. באמצעות מחזור ועיבוד פסולת חשמלית או אלקטרונית, תוכלו לתרום באופן משמעותי להגנה על הסביבה.

פנו לרשויות המקומיות למידע בנושא נקודת האיסוף הקרובה אליכם. בכל שאר המדינות: יש לפעול על פי חוקי המחזור המקומיים ביחס לציווד חשמלי ואלקטרוני.

יש לשמור מידע זה. הצבעים והעיטורים עשויים להשתנות. יש להסיר מחברי פלסטיק ודבקים מהמוצר לפני השימוש. www.thrustmaster.com

* רלוונטי רק לאיחוד האירופי ולטורקיה



T.LCM PEDALS

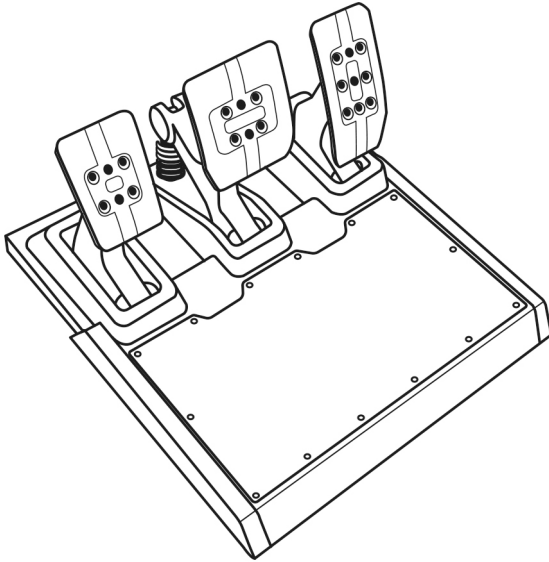
LOAD CELL & MAGNETICS

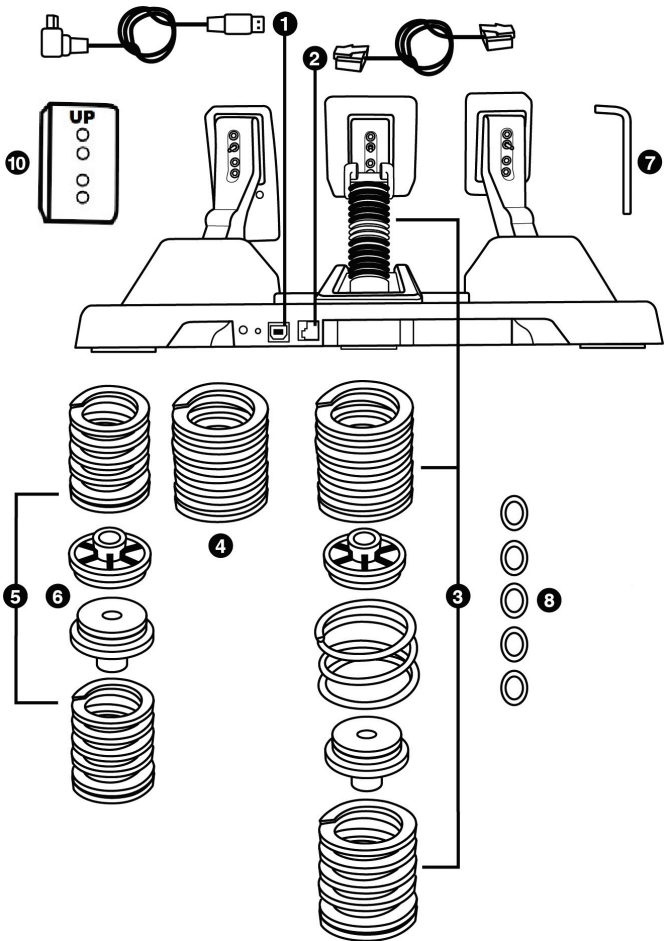
الكمبيوتر – Xbox One® – PlayStation®4

دليل المستخدم



يُرجى قراءة دليل المستخدم بعناية قبل استخدام هذا المنتج، والاحتفاظ به للرجوع إليه لاحقاً.

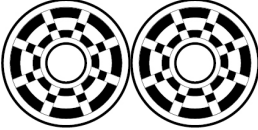


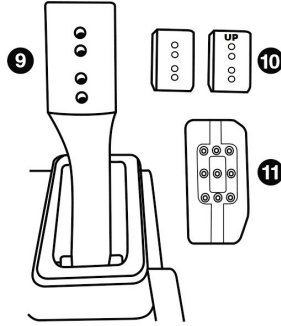


- 4 عدد 1 نابض F10 أبيض
- 5 عدد 2 نابض F30 أحمر
- 6 عدد 2 مبادئ بعلامات حمراء
(مصممة خصيصًا للاستخدام مع نوابض
F30 الحمراء)
- 7 مفتاح سداسي مقياس 2.5 ملم
- 8 عدد 5 حلقات ربط (لتقليل أو القضاء
على الضغط المسبق للنابض المركزي
المطلي بالكروم)
- 10 دعامة بلاستيكية لرأس الدواسة لإزالة
الدواسات رأسياً
- 1 كابل USB قابل للإزالة؛ منفذ توصيل
الدواسات في الجانب الخلفي لمجموعة
الدواسات
- 2 كابل RJ12 قابل للإزالة؛ منفذ توصيل
RJ12 في الجانب الخلفي لمجموعة
الدواسات
- 3 مقاومة متوسطة، مسبقة التثبيت بشكل افتراضي
(عدد 1 نابض F20 أسود + عدد 1 نابض
F15 رمادي)
(+ عدد 1 نابض مركزي مسبق الضغط مطلي
بالكروم)
(+ عدد 2 مبادئ دون علامات)

المبادئ

تشمل مجموعة الدواسات نوعين من المبادئ. ومن المهم استخدام أنواع المبادئ الصحيحة، اعتمادًا على نوع النابض المختار.

<p><u>مبادئ دون علامات ملونة</u> <u>(ويخروز)</u> تُستخدم مع النوابض التالية: F10 الأبيض F15 الرمادي F20 الأسود</p>	
<p><u>مبادئ بعلامات حمراء</u> <u>(ويبون حروز)</u> مصممة خصيصًا لتستخدم مع النوابض التالية: F30 الأحمر</p>	



11 رؤوس دواسة معدنية (بأعداد ثقوب مختلفة: 9 لدواسة التسارع، و6 لدواسة المكابح، و6 لدواسة القابض)

9 ذراع دواسة معدني مزوّد بأربعة ثقوب
10 مسند رأس دواسة معدني (يُثبت بين رأس وذراع الدواسة) مزوّد بأربعة ثقوب

برنامج المعايرة

⚠ مهم جدًا ⚠

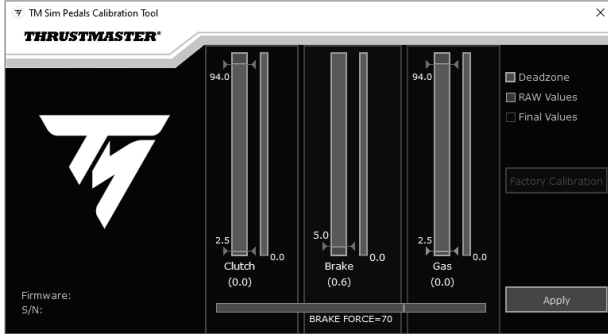
يجب اتباع هذه العملية عند تغيير مقاومة دواسة المكابح.

باستخدام كابل USB القابل للإزالة (1)، وصل مجموعة الدواسات بجهاز كمبيوتر. يجب عدم توصيل كابل RJ12 القابل للإزالة (2) بمجموعة الدواسات في أثناء هذه العملية.

يمكنك زيارة <https://support.thrustmaster.com>. انقر فوق Racing Wheels (عجلات السباق) / T-LCM Pedals، ثم اختر Software (البرامج).

قم بتنزيل وتثبيت برنامج المعايرة:

- لضبط المناطق الهامدة في بداية نطاق الحركة للدواسات الثلاثة حسبما تفضل.
- لضبط المناطق الهامدة في نهاية نطاق الحركة لدواستي التسارع والقابض حسبما تفضل.
- لضبط القوة الإلكترونية (Brake Force) لدواسة المكابح حسبما تفضل.



بمجرد الانتهاء من تكوين الإعدادات المختلفة بشكل صحيح، انقر فوق **APPLY**، ثم افصل كابل USB القابل للإزالة (1). تُحفظ الإعدادات في الذاكرة الداخلية للدواسات: ستصبح هذه الإعدادات فعّالة في كل ألعابك، وذلك على أجهزة الكمبيوتر ووحدات الألعاب.

تحديث البرامج الثابتة لمجموعة الدواسات

لتحديث البرامج الثابتة، يجب توصيل الدواسات بجهاز كمبيوتر باستخدام كابل USB القابل للإزالة (1).

يمكن تحديث البرامج الثابتة المضمنة في الدواسات بنسخ أحدث لإتاحة إدخال تحسينات على المنتج. يظهر إصدار البرامج الثابتة في الزاوية السفلية اليسرى لشاشة برنامج المعايرة.

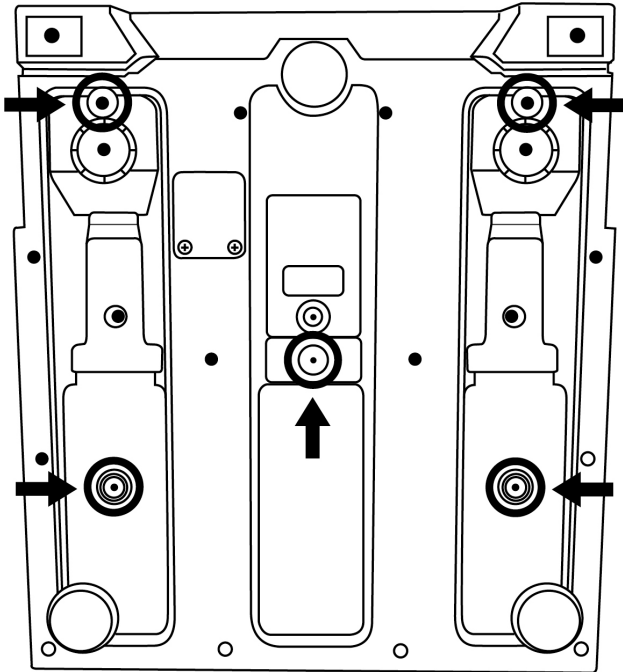
لتحديث البرامج الثابتة لمجموعة الدواسات: على جهاز الكمبيوتر، قم بزيارة <https://support.thrustmaster.com>، وبعد ذلك انقر فوق **Racing Wheels** (عجلات السباق) **T-LCM Pedals** / **Firmware** (البرامج الثابتة) واتبع تعليمات عملية التنزيل والتنصيب.

تركيب مجموعة الدواسات على دعامة أو في قمرة قيادة

يمكن إلحاق مجموعة الدواسات بمجموعة مختلفة من الدعائم المتوافقة (تباع منفصلة) باستخدام فتحات المسامير نوع M6 الخمس الموجودين أسفل القاعدة. لفعل ذلك، اربط مسامير M6 (غير مرفقين) على الأقل عبر رف الدعم، وفي فتحات المسامير في الجانب السفلي لقاعدة مجموعة الدواسات.



مهم: يجب ألا تتعدى أطوال المسامير سُمك الدعامة بأكثر من 0.47 بوصة/12 ملم، حتى لا تُعرض مكونات مجموعة الدواسات الداخلية للضرر.



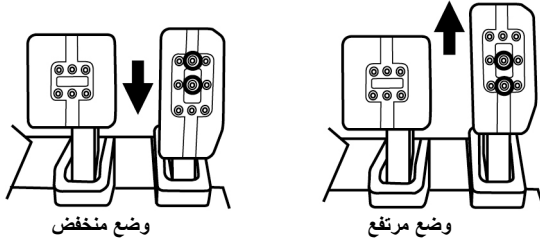
تتوفر مخططات إعداد مجموعة الدواسات مع القمرات وغيرها من الدعائم على

<https://support.thrustmaster.com>: انقر فوق **Racing Wheels** (عجلات السباق) / **T-LCM**
Pedals، ثم انقر فوق **Template - Cockpit setup** (قالب - إعداد قمرة قيادة).

ضبط ارتفاع الدواسات

- باستخدام المفتاح السداسي قياس 2.5 ملم المُضمّن (7)، فك المسمارين اللذين يثبتا رأس الدواسة المعدنية (11) ودعامته البلاستيكية (10) في مكانهما.
- اختر وضعك المفضل من حيث الارتفاع، ثم قم بربط كل شيء مجدداً باستخدام المسامير.

أمثلة لضبط دواسة التسارع:



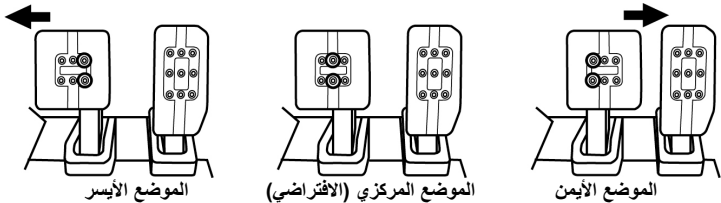
عدد مواضع الارتفاع المختلفة لكل دواسة:

- 3 لدواسة التسارع
- 2 لدواسة المكابح
- 2 لدواسة القابض

ضبط المسافة للدواسات الثلاثة

- باستخدام المفتاح السداسي قياس 2.5 ملم المُضمّن (7)، فك المسمارين اللذين يثبتا رأس الدواسة المعدنية (11) ودعامته البلاستيكية (10) في مكانهما.
- اختر موضعك المفضل (للبيسار، أو المركز، أو اليمين)، ثم قم بربط كل شيء مجدداً باستخدام المسامير.

أمثلة لضبط دواسة المكابح:



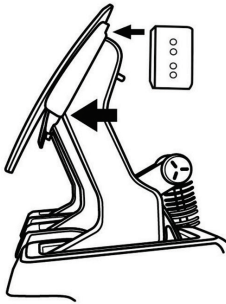
عدد مواضع المسافة المختلفة لكل دواسة:

- 3 لدواسة التسارع
- 3 لدواسة المكابح
- 3 لدواسة القابض

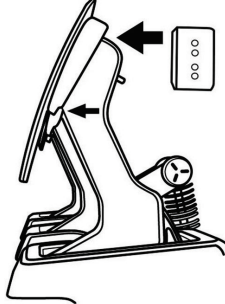
ضبط زاوية ميل الدواسات

- باستخدام المفتاح السداسي قياس 2.5 ملم المُضمّن (7)، فُكّ المسامير اللذين يثبتا رأس الدواسة المعدني (11) ودعامته البلاستيكية (10) في مكانهما.
- بعد ذلك، قم بلف الدعامه البلاستيكية لرأس الدواسة (10) مقدار 180 درجة (أو قم بتغييرها) ثم قم بتثبيت الأجزاء مع بعضها مرة أخرى باستخدام المسامير.

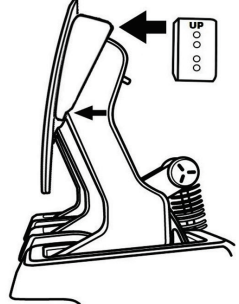
أمثلة لضبط دواسة التسارع:



موضع زاوية ميل أقل



موضع زاوية ميل أكبر
(الافتراضي)



الموضع الرأسى

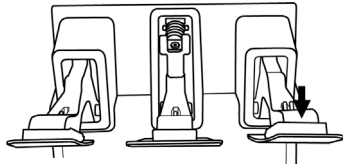
عدد مواضع الميل المختلفة لكل دواسة:

- 3 لدواسة التسارع
- 3 لدواسة المكابح
- 3 لدواسة القابض

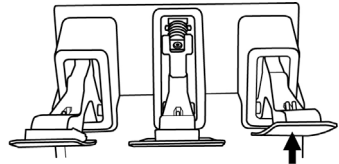
ضبط محاذاة الدواسات

- تُثبّت الدعامه البلاستيكية لرأس الدواسة (10) لتحريك دواسة للأمام.
- أزل الدعامه البلاستيكية لرأس الدواسة (10) لتحريك دواسة للخلف.

أمثلة لضبط دواسة التسارع:

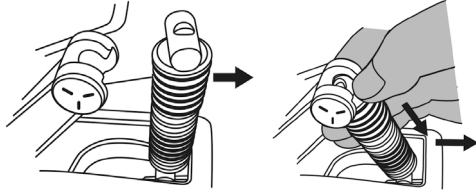


موضع أمامي (الافتراضي)

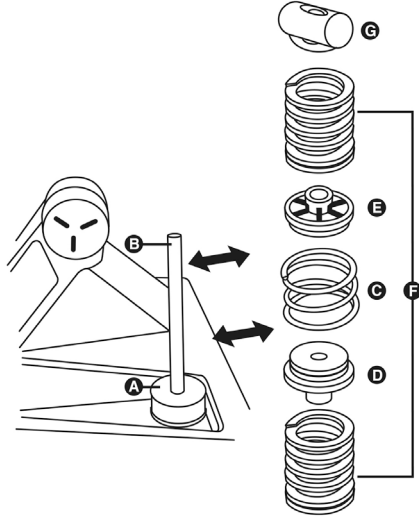


موضع خلفي

- افصل مجموعة الدواسات عن جهاز الكمبيوتر أو وحدة الألعاب وادفع حلقة رأس التثبيت العلوية (G) الموجودة في الجانب الخلفي للدواسة) بشدة لأسفل، ثم اسحب هذا المكون للخلف لتحريره من الذراع المعدني.



- أزل العناصر المختلفة من قضيب التثبيت (B).



- D مبادئ مطاطي
- E مبادئ بلاستيكي
- F نوابض رئيسية ذات 7 حلقات (F30, F20, F15, F10)
- G رأس التثبيت العلوية مع حلقة الربط

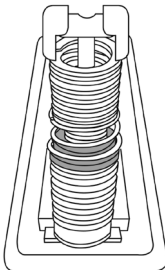
- A مستشعر قوة Load Cell
- ⚠ لا يُنزع من قضيب التثبيت على الإطلاق!
- B قضيب التثبيت لعمود النوابض
- C نابض مركزي ذو أربع حلقات مطلي بالكروم مسبق الضغط

يمكن ضبط مقاومة دواسة المكابح عن طريق تبديل أو خلط النوابض F الأساسية معًا:

مقاومة النابض	لون نابض F
F10	أبيض (يوجد 1 مرفق مع المجموعة)
F15	رمادي (يوجد 1 مرفق مع المجموعة)
F20	أسود (يوجد 1 مرفق مع المجموعة)
F30	أحمر (يوجد 1 مرفق مع المجموعة)

- أعد ضبط وضع العناصر المختلفة والنوابض الرئيسية (F10، F15، F20، أو F30) حسب ما تختار (مع المبادعات المناسبة) على قضيب التثبيت.

المقاومة	مثل
مقاومة منخفضة	عدد 1 نابض أبيض F10 + عدد 1 نابض رمادي F15
مقاومة متوسطة	عدد 1 نابض رمادي F15 + عدد 1 نابض أسود F20 (تكون مرغوبة بشكل افتراضي)
مقاومة عالية	عدد 2 نابض أحمر F30



لا تتردد في خلط وتجربة مختلف النوابض (العديد من التوليفات المختلفة الممكنة) لكي تجد أفضل مستوى مقاومة يناسبك.

بمجرد انتهائك من تعديل المقاومة، وصل مجموعة الدواسات بجهاز كمبيوتر عن طريق كابل USB القابل للإزالة (1)، ثم قم بإجراء معايرة جديدة لدواسة المكابح عن طريق برنامج المعايرة. تلك المعايرة الجديدة (المقابلة للمقاومة الجديدة لدواسة المكابح) ستُخزن تلقائيًا في الذاكرة الداخلية لمجموعة الدواسات، وستصبح فعالة مع كل ألعابك على أجهزة الكمبيوتر و وحدات الألعاب.

⚠️ مهم جدًا ⚠️

تتم المعايرة الافتراضية لمجموعة الدواسات في المصنع بنابض F15 رمادي ونابض F20 أسود (مقاومة متوسطة). في حالة تغيير النوابض (وبالتالي مقاومة دواسة المكابح)، يجب عليك إعادة معايرة دواسة المكابح باستخدام برنامج المعايرة على جهاز كمبيوتر. في حالة عدم فعل ذلك، لن تعمل دواسة المكابح بشكل صحيح على أجهزة الكمبيوتر أو وحدات الألعاب.

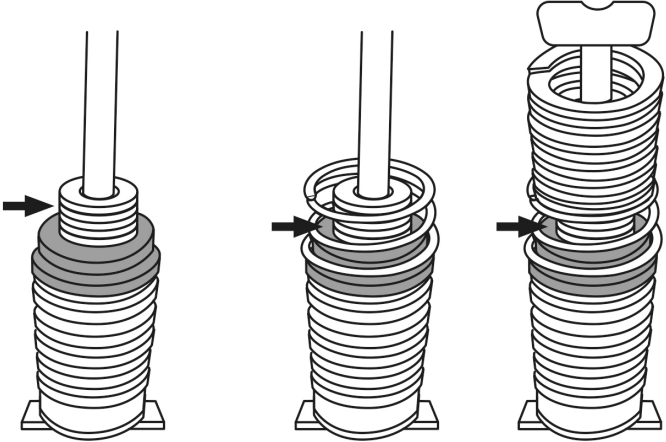
تقليل تأثير الضغط المسبق لدواسة المكابح أو القضاء عليه

بالنسبة للمستخدمين اللذين يفضلون مقاومة كبح خطية، يمكن أيضًا تقليل تأثير الضغط المسبق للناض المركزي مسبق الضغط المطلي بالكروم (C) أو القضاء على ذلك التأثير.

لفعل ذلك، قم بتركيب الحلقات من 1 إلى 5 (8) على قضيب التثبيت، في منتصف النابض المركزي مسبق الضغط المطلي بالكروم (C).

يُرجى الملاحظة: كلما أضفت حلقات أكثر، كلما قل تأثير الضغط المسبق (أو تم القضاء عليه تمامًا، في حالة استخدامك لكل الحلقات الخمس).

أمثلة للقضاء على تأثير الضغط المسبق باستخدام الحلقات الخمس كلها:



مهم:

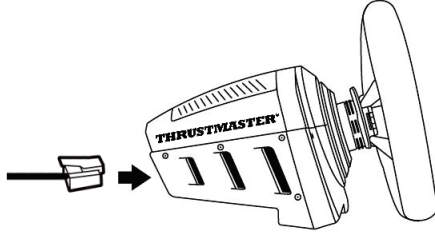
ستؤدي إضافة تلك الحلقات الخمس إلى تقليل الحركة الميكانيكية لدواسة الفرامل أيضًا.

استخدام مجموعة الدواسات مع قاعدة عجلة سباق من THRUSTMASTER

= كابل RJ12 القابل للإزالة (2) مطلوب

(يجب عدم توصيل كابل USB القابل للإزالة (1) بمجموعة الدواسات في أثناء نوعية الاستعمال هذه).

التوافق: أجهزة الكمبيوتر ووحدات الألعاب



⚠ مهم جدًا ⚠

لضمان أمثل تشغيل لمجموعة الدواسات المتصلة مباشرة بقاعدة عجلة سباق Thrustmaster (TS-PC Racer، T-GT، T300، T150، و TS-XW، TX، و TMX)، يجب عليك تحديث البرامج الثابتة لقاعدة عجلة السباق بأحدث إصدار متوفر على <https://support.thrustmaster.com>. سيتيح لك البرنامج الثابت الجديد أقصى ناتج من أعلى مستويات الدقة لمجموعة الدواسات T-LCM Pedals، وسيتيح لك كذلك استخدام إعداداتك الخاصة المضبوطة باستخدام برنامج المعايرة.

- عند تحديث البرامج الثابتة لقاعدة عجلة سباق Thrustmaster، وصل مجموعة الدواسات بالجانب الخلفي لقاعدة عجلة السباق باستخدام كابل RJ12 القابل للإزالة (2).
- وصل عجلة السباق بجهاز الكمبيوتر أو وحدة الألعاب.

- سيومض مؤشر **MODE** الليد بقاعدة عجلة السباق 5 مرات للإشارة إلى أن مجموعة الدواسات قد تم التعرف عليها بشكل صحيح، لأفضل تشغيل.

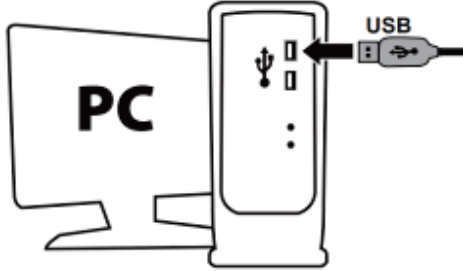
في حالة عدم وميض مؤشر **MODE** الليد كما هو موضح أعلاه، فإن هذا يدل على أنه لم يتم تحديث البرامج الثابتة لقاعدة عجلة السباق إلى أحدث إصدار متاح، وأنه لم يتم التعرف على مجموعة الدواسات على أنها مجموعة دواسات **T-LCM Pedals** فائقة الدقة، ولكن على أنها مجموعة دواسات **T3PA** أو **T3PA PRO** قياسية النوع.

أنت الآن جاهز للعب!

يرجى الملاحظة: في ذلك النوع من التكوين، يجب تثبيت طوق عجلة Thrustmaster رسمي على قاعدة عجلة السباق الخاصة بك. في حالة عدم فعل ذلك، فالنتائج أنه لن يتم التعرف على مجموعة الدواسات على أنها مجموعة دواسات **T-LCM Pedals** فائقة الدقة.

استخدام مجموعة الدواسات مع قاعدة عجلة سباق غير مقدّمة من
THRUSTMASTER
 (كما يمكن استخدامها مع قاعدة عجلة سباق **THRUSTMASTER**)
كابل USB القابل للإزالة (1) مطلوب

التوافق: أجهزة الكمبيوتر فقط



- وصل مجموعة الدواسات بأحد منافذ USB في جهاز الكمبيوتر باستخدام كابل USB القابل للإزالة (1)، وقم بتثبيت برامج التشغيل.
- عند الانتهاء من تثبيت برامج التشغيل، انقر فوق **Finish** وأعد تشغيل جهاز الكمبيوتر.

انت الآن جاهز للعب!

ملاحظات فيما يخص الكمبيوتر عند توصيل مجموعة الدواسات باستخدام كابل **USB**:

- مجموعة الدواسات متوافقة مع كل عجلات السباق المتاحة في الأسواق في الألعاب التي تدعم اتصال USB المتعدد ومجموعات الدواسات المنفصلة.
- تذكّر أن تغلق نافذة وحدات التحكم بالألعاب دائماً (بالضغط على **OK**)، وبرنامج معايرة مجموعة الدواسات أيضاً، قبل بدء اللعبة الخاصة بك.
- يظهر إصدار البرامج الثابتة لمجموعة الدواسات في الزاوية السفلية اليسرى لشاشة برنامج المعايرة.

نظرة عامة على كيفية توصيل مجموعة الدواسات بحسب عجلة السباق والنظام الأساسي المستخدم

توصيل مجموعة الدواسات	
كابل RJ12 القابل للإزالة (2)	على وحدات الألعاب مع عجلة سباق THRUSTMASTER
كابل RJ12 القابل للإزالة (2) أو كابل USB قابل للإزالة (1)	على أجهزة الكمبيوتر مع عجلة سباق THRUSTMASTER
كابل USB القابل للإزالة (1)	على أجهزة الكمبيوتر مع عجلة سباق غير مقدّمة من Thrustmaster



لأغراض السلامة والوقاية، تجنب تماماً استخدام مجموعة الدواسات وأنت حافي القدمين أو عند ارتدائك جوارب فقط.
وتخلي THRUSTMASTER® مسنوليتها تماماً في حالة الإصابة الناتجة عن استخدام مجموعة الدواسات دون ارتداء أحذية.



تحذير - الصعق الكهربائي

- * احتفظ بالمنتج في مكان جاف ولا تعرّضه للغبار أو لضوء الشمس المباشر.
- * تأكد من مراعاة أقطاب التوصيل.
- * لا تقم بلف أو جذب الموصلات أو الأسلاك.
- * لا تسكب أي سوائل على المنتج أو توصيلاته.
- * لا تُحدث دائرة قصر كهربائية للمنتج.
- * تجنب تماماً تفكيك المنتج (باستثناء أي تعديلات موضحة في دليل المستخدم هذا). لا تلمس المنتج في النار، ولا تعرّضه لدرجات حرارة مرتفعة.



تحذير - الإصابات الناتجة عن الحركات المتكررة

- قد يؤدي اللعب باستخدام مجموعة الدواسات إلى آلام بالعضلات أو المفاصل. لتفادي أي مشكلات:
- * تجنب فترات اللعب الطويلة (استرح لمدة تتراوح من 10 دقائق إلى 15 دقيقة بعد كل ساعة لعب).
- * إذا شعرت بأي إجهاد أو آلام في ساقيك أو قدميك، استرح لعدة ساعات قبل مواصلة اللعب مجدداً.
- * إذا استمرت الأعراض أو الآلام المشار إليها بالأعلى عند مواصلة اللعب، توقف عن اللعب واستشر طبيبك.



تحذير - مخاطر وقوع ضغط بشكل موجه بفعل مجموعة الدواسات خلال اللعب

- * حافظ على مجموعة الدواسات بعيداً عن متناول الأطفال.
- * لا تضع أصابعك (أو أي أجزاء أخرى من جسديك) على أذرع الدواسات أو بالقرب منها في أثناء اللعب على الإطلاق.

تجنب ذلك تماماً



تلميحات ونصائح مختلفة (غير مضمّنة في هذا الدليل)

تتوفر تلميحات ونصائح مختلفة على <https://support.thrustmaster.com> انقر فوق Racing Wheels (عجلات السباق) / T-LCM Pedals.

تضمن شركة Guillemot Corporation S.A، العالمية (المشار إليها فيما بعد باسم "Guillemot") ومقرها الرئيسي في Chantepie, France 35571, 97143، المستهلك أن يكون منتج Thrustmaster هذا خاليًا من عيوب المواد وعيوب التصنيع، طوال مدة فترة الضمان التي تتوافق مع الفترة المحددة التي يمكن خلالها المطالبة بالمطابقة لاسترداد قيمة هذا المنتج أو استبداله. في دول الاتحاد الأوروبي، يسري هذا لمدة (2) عامين من تاريخ استلام المنتج Thrustmaster. وفي دول أخرى، تتوافق فترة الضمان مع الفترة المحددة للمطالبة بمطابقة المنتج Thrustmaster وفقًا للقوانين المعمول بها في الدولة التي كان يقطن بها المستهلك عند تاريخ شراء المنتج Thrustmaster (في حالة عدم المطالبة في الدولة المعنية، ستكون فترة الضمان عام (1) واحد من تاريخ الشراء الأصلي للمنتج Thrustmaster).

وإذا ظهر أن المنتج معيَّبًا خلال فترة الضمان، فاقصِل على الفور بالدعم الفني الذي سيرشدك إلى الإجراءات التي يجب أن تتبعها. وإذا تم التأكد من وجود العيب، فيجب إعادة المنتج إلى مكان شرائه (أو أي موقع آخر يشير إليه الدعم الفني). وفي سياق هذا الضمان، يجب استبدال المنتج المعيب الخاص بالمستهلك أو إصلاحه، وذلك حسب اختيار الدعم الفني. إذا خضع منتج Thrustmaster، في خلال فترة الضمان، لأي عملية إصلاح، فإن أي فترة يكون المنتج خلالها خارج الخدمة ويحد أدنى سبعة (7) أيام سوف تضاف إلى فترة الضمان المتبقية (تبدأ هذه الفترة من تاريخ طلب العميل للتدخل أو من تاريخ تقديم المنتج المذكور للإصلاح، إذا كان تاريخ تقديم المنتج للإصلاح لاحقًا لتاريخ طلب التدخل). تقتصر المسؤولية الكاملة لشركة Guillemot وفروعها (بما في ذلك الأضرار النتيجة) على إصلاح المنتج Thrustmaster واستبداله، وذلك عندما يكون هذا جائزًا بموجب القانون الساري. تخلى شركة Guillemot مسؤوليتها عن أي ضمانات خاصة بالتجارة أو الملاءمة لغرض معين، وذلك عندما يكون هذا جائزًا بموجب القانون الساري.

لا يسري هذا الضمان: (1) إذا تم تعديل المنتج أو فتحه أو تغييره أو إذا تعرَّض لثلف نتيجة للاستخدام السيئ أو غير الملائم أو الإهلام أو حادث أو الإهلاك نتيجة الاستعمال العادي، أو أي سبب آخر لا يرتبط بوجود عيب في المواد أو التصنيع (بما في ذلك، على سبيل المثال لا الحصر، تجميع منتج Thrustmaster بواسطة أي عنصر غير مناسب، بما في ذلك على وجه الخصوص وحدات الإمداد بالطاقة أو البطاريات القابلة لإعادة الشحن أو الشواحن أو أي عناصر أخرى لا يتم توريدها من خلال Guillemot لهذا المنتج)؛ (2) إذا استخدم المنتج لأي غرض آخر بخلاف الاستخدام المنزلي، بما في ذلك الأغراض المهنية أو التجارية (غرف الألعاب أو التدريب أو المسابقات على سبيل المثال)؛ (3) في حالة عدم الالتزام بالتعليمات المقدمة من قِبَل الدعم الفني؛ (4) على اليرامج، حيث تخضع هذه اليرامج لضمان محدد؛ (5) على العناصر الاستهلاكية (العناصر التي يتم استهلاكها خلال فترة عمر المنتج: كالبطاريات غير القابلة لإعادة الاستخدام أو سماعات الرأس أو وسادات الأذن الخاصة بسماعة الرأس)؛ (6) الملحقات (كالكلابلات والعلب والحافظات والحقائب وأربطة المعصم)؛ (7) إذا تم بيع المنتج في مزاد علني.

هذا الضمان غير قابل للتحويل. لا يؤثر هذا الضمان على الحقوق القانونية للمستهلك بمقتضى القوانين المطبقة على بيع السلع الاستهلاكية في بلده/بلدها.

شروط الضمان الأخرى

خلال فترة الضمان، لن توفر Guillemot، من حيث المبدأ، أي قطع غيار، حيث أن الدعم الفني هو الطرف الوحيد المخول بفتح و/أو إصلاح أي منتج من Thrustmaster (باستثناء أي إجراءات إصلاح يطلب الدعم الفني إجراؤها بواسطة العميل، عن طريق تعليمات مكتوبة - على سبيل المثال، نظرًا لبساطة عملة الإصلاح وعدم سربيتها - وتزويد العميل بقطعة (قطع) الغيار المطلوبة، حيثما أمكن ذلك).

لمقتضى المجالات الإبداعية ولحماية أسعار المعرفة الفنية والأسرار التجارية، لن توفر Guillemot، من حيث المبدأ، أي إشارات للإصلاح أو قطع غيار لأي منتج Thrustmaster انتهت فترة الضمان الخاصة به.

المسؤولية

تخلى شركة Guillemot Corporation S.A. (المشار إليها فيما بعد باسم "Guillemot") وفروعها مسؤوليتها كاملة عن أي أضرار تنتج عن حالة أو أكثر من الحالات التالية، إذا كان هذا جائزًا بموجب القانون الساري: (1) تعديل المنتج أو فتحه أو تغييره؛ (2) عدم الالتزام بتعليمات المجموعة؛ (3) الاستخدام السيئ أو غير الملائم أو الإهلام أو التعرُّض لحادث (تصادم، على سبيل المثال)؛ (4) الإهلاك الناتج عن الاستعمال العادي؛ (5) إذا استخدم المنتج لأي غرض آخر بخلاف الاستخدام المنزلي، بما في ذلك الأغراض المهنية أو التجارية (غرف الألعاب أو التدريب أو المسابقات على سبيل المثال). تخلى شركة Guillemot وفروعها كافة مسؤوليتها عن أي أضرار لا ترتبط بعيب في المواد أو التصنيع يتعلق بالمنتج (متضمنًا، على سبيل المثال لا الحصر، أي أضرار تحدث بشكل مباشر أو غير مباشر بسبب أي برنامج أو عن طريق دمج منتج Thrustmaster مع أي عنصر غير مناسب، بما في ذلك على وجه الخصوص وحدات الإمداد بالطاقة أو البطاريات القابلة لإعادة الشحن أو الشواحن أو أي عناصر أخرى لا يتم توريدها من خلال Guillemot لهذا المنتج)، إذا كان هذا جائزًا بموجب القانون الساري.

حقوق النشر

© 2019 Guillemot Corporation S.A. كافة الحقوق محفوظة. Thrustmaster® هي علامة تجارية مسجلة لشركة Guillemot Corporation S.A. و PlayStation® هي علامة تجارية مسجلة لشركة Sony Interactive Entertainment Inc. Windows® هي علامة تجارية مسجلة لشركة Microsoft Corporation في الولايات المتحدة و/أو بلدان أخرى. كافة العلامات التجارية والأسماء التجارية الأخرى مملوكة لأصحابها المعنيين. الرسوم التوضيحية غير ملزمة. وتخضع المحتويات والتصميمات والمواصفات للتغيير دون إشعار وقد تختلف من بلد إلى آخر. صنع في الصين.

توصيات الحماية البيئية

في الاتحاد الأوروبي: عند انتهاء صلاحية المنتج، يجب عدم التخلص منه مع النفايات المنزلية العادية، لكن يوضع في نقطة تجميع خاصة بالتخلص من نفايات المعدات الكهربائية والإلكترونية (WEEE).

ويؤكد ذلك الرمز الموجود على المنتج أو دليل المستخدم أو الغلاف. يمكن إعادة تدوير المواد، على حسب خصائصها. من خلال إعادة التدوير والأشكال الأخرى لمعالجة نفايات المعدات الكهربائية والإلكترونية، يمكنك المشاركة بفعالية في المساعدة على حماية البيئة.

يرجى الاتصال بالسلطات المحلية لديك للحصول على معلومات حول نقطة التجميع الأقرب إليك. بالنسبة لكافة البلدان الأخرى: يرجى الالتزام بقوانين إعادة التدوير المحلية الخاصة بالمعدات الكهربائية والإلكترونية.



احتفظ بهذه المعلومات. قد تختلف الألوان والزخارف.
يجب إزالة المواد المثبتة واللاصقة من المنتج قبل استخدامه.

www.thrustmaster.com

*ينطبق على الاتحاد الأوروبي وتركيا فقط

CE*

THRUSTMASTER®

الدعم الفني

<https://support.thrustmaster.com>



T-LCM PEDALS

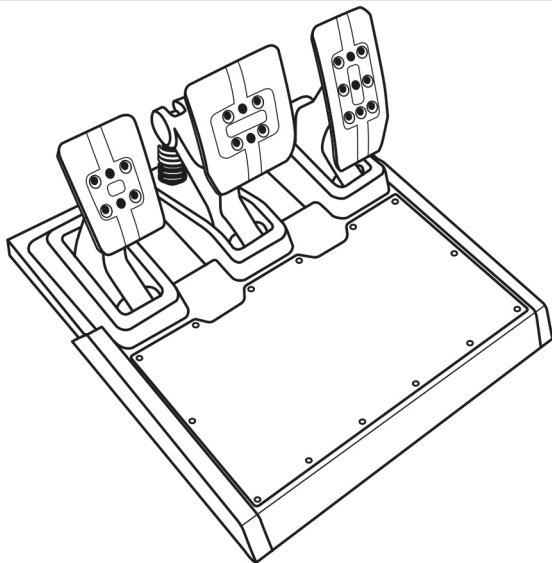
LOAD CELL & MAGNETICS

PC – PlayStation®4 – Xbox One®

ユーザーズマニュアル

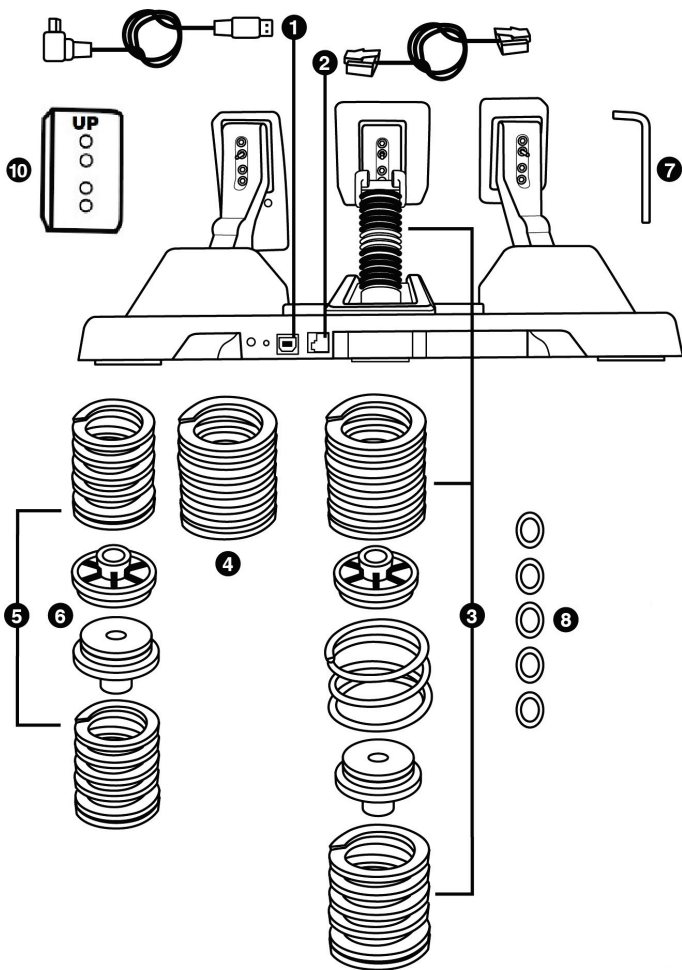


本製品を使用する前にこのユーザーズマニュアルをよくお読みになり、いつでも参照できるよう手近な所に保管してください。



技術仕様

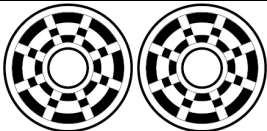
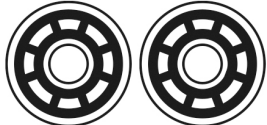
一般概要



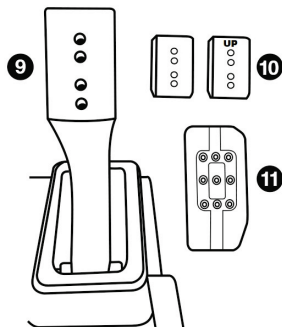
- 1 取り外し式 USB ケーブル (USB コネクターはペダルセット背面)
- 2 取り外し式 RJ12 ケーブル (RJ12 コネクターはペダルセット背面)
- 3 中抵抗、デフォルトで取り付け済み
(黒 F20 スプリング 1 個 + グレー F15 スプリング 1 個)
(+ 中央クロームメッキ加工セッティングスプリング 1 個)
(+ マーキングなしスペーサー 2 個)
- 4 白 F10 スプリング 1 個
- 5 赤 F30 スプリング 2 個
- 6 赤マーキング付きスペーサー 2 個
(赤 F30 スプリング専用)
- 7 2.5 mm 六角レンチ
- 8 フラットワッシャー 5 個 (中央クロームメッキ加工スプリングのセッティング減少・ゼロ化用)
- 10 ペダルの縦傾き用プラスチック製ペダルヘッドサポート

スペーサー

2 種類のスペーサーが付属しています。選択したスプリングの種類に応じて、適切なスペーサーを使用することが重要です。

	<p>カラーマーキングなしスペーサー (薄あり)</p> <p>以下のスプリング用:</p> <p>白 F10 グレー F15 黒 F20</p>
	<p>赤マーキング付きスペーサー用 (薄なし)</p> <p>以下のスプリング専用:</p> <p>赤 F30</p>

ペダルアームおよびヘッド



- 9 金属製ペダルアーム (穴 4 個)
- 10 プラスチック製ペダルヘッドサポート (ペダルヘッドとアーム間に配置)、穴 4 個
- 11 金属製ペダルヘッド (ペダルによって穴の数が異なります。アクセルペダルは 9 個、ブレーキペダルとクラッチペダルはともに 6 個)

調整ソフトウェア



超重要

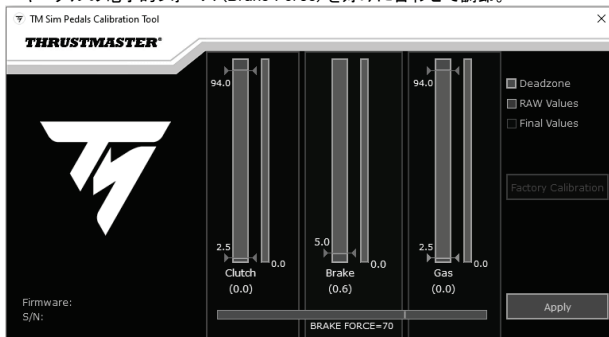
ブレーキペダルの抵抗を変更する際には、この手順を実行する必要があります。

ペダルセットを、取り外し式 USB ケーブル (1) を使って PC に接続します。
この手順の実行中は、取り外し式 RJ12 ケーブル (2) をペダルセットに接続しないでください。

<https://support.thrustmaster.com> にアクセスしてください。[ステアリングホイール] / [T-LCM Pedals] をクリックし、次に [ソフトウェア] を選択します。

調整ソフトウェアをダウンロードしてインストールすると以下が行えます:

- 3 つすべてのペダルの可動域始端のデッドゾーンを好みに合わせて調整。
- アクセルペダルとクラッチペダルの可動域終端のデッドゾーンを好みに合わせて調整。
- ブレーキペダルの電子的フォース (Brake Force) を好みに合わせて調整。



新しい設定が適切に構成されたら、[APPLY] をクリックし、取り外し式 USB ケーブル (1) を取り外します。設定はペダルセットの内蔵メモリに保存され、PC およびゲーム機上のすべてのゲームで有効になります。

ペダルセットのファームウェアをアップデートする

ファームウェアをアップデートするには、ペダルセットを取り外し式 USB ケーブル (1) で PC に接続する必要があります。

ペダルセット付属のファームウェアは、最新バージョンに随時アップデートして製品の性能を向上させることが可能です。

ファームウェアのバージョンは調整ソフトウェアの左下隅に表示されます。

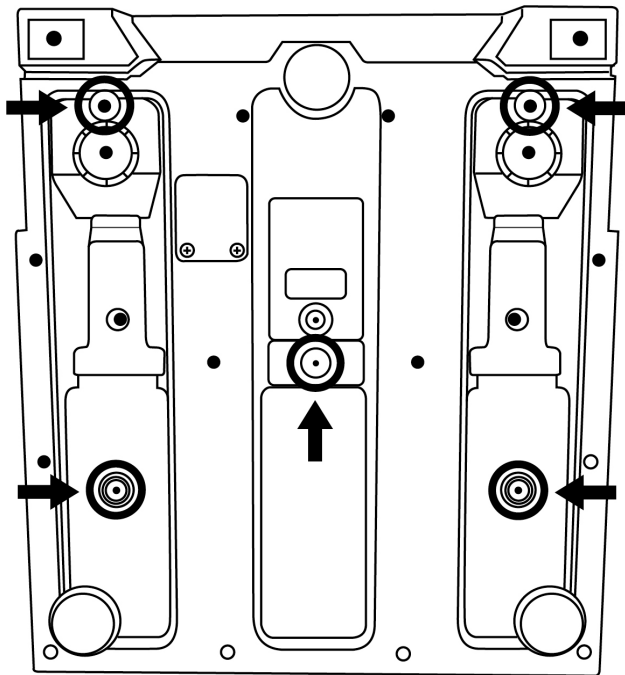
ペダルセットのファームウェアをアップデートするには、PC で <https://support.thrustmaster.com> にアクセスして [ステアリングホイール] / [T-LCM Pedals] をクリックし、[ファームウェア] を選択してダウンロードおよびセットアップ手順にしたがってください。

ペダルセットをサポートまたはコックピットに取り付ける

ペダルセットは、ベース底部に設けられた M6 タイプのネジ穴 5 個を使って、互換性のあるさまざまなサポート（別売）に固定できます。それには、2 本以上の M6 ネジ（付属していません）をサポート棚に通してから、ペダルセットのベースの下側にあるネジ山に通して固定します。



重要: 使用する M6 ネジの長さが、サポートの厚さ +12 mm を超えないようにしてください。それよりも長いネジを使用すると、ペダルセットの内部部品が破損する恐れがあります。



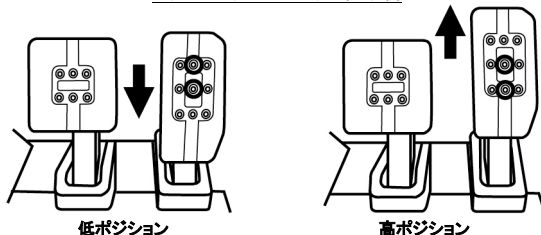
ペダルセットのコックピットおよびその他サポート用のセットアップ図は、
<https://support.thrustmaster.com> で入手できます: [ステアリングホイール] / [T-LCM Pedals] をクリックしてから、[テンプレート] - [コックピットセットアップ] を選択。

ペダルセットの機械的セッティング

ペダルの高さの調整

- 付属の 2.5mm 六角レンチ (7) で、金属製ペダルヘッド (11) とそのプラスチックサポート部分 (10) を固定している 2 個のねじを緩めて取り外します。
- 好みの高さポジションを選んで、再びすべてのネジを固定します。

アクセルペダルでのセッティング例



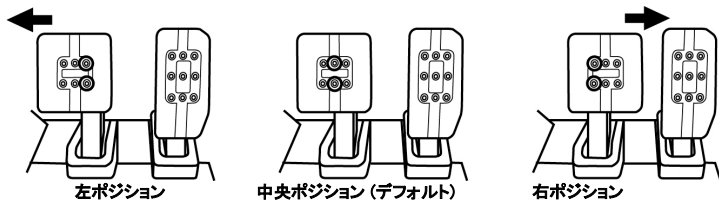
ペダル毎にセッティングできる、高さポジション数:

- アクセルペダル = 3 ポジション
- ブレーキペダル = 2 ポジション
- クラッチペダル = 2 ポジション

3 ペダルのスペース間隔の調整

- 付属の 2.5mm 六角レンチ (7) で、金属製ペダルヘッド (11) とそのプラスチックサポート部分 (10) を固定している 2 個のねじを緩めて取り外します。
- 任意のポジション (左、中央、または右) を選択してから、もう一度すべてのネジを固定します。

ブレーキペダルでのセッティング例



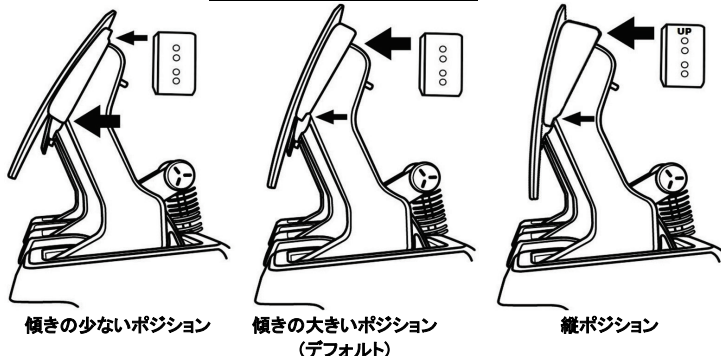
ペダル毎にセッティングできる、多彩なスペース間隔ポジション:

- アクセルペダル = 3 ポジション
- ブレーキペダル = 3 ポジション
- クラッチペダル = 3 ポジション

ペダルの傾き調整

- 付属の 2.5mm 六角レンチ (7) で、金属製ペダルヘッド (11) とそのプラスチックサポート部分 (10) を固定している 2 個のねじを緩めて取り外します。
- 次に、プラスチック製ペダルヘッドサポート (10) を 180° 回転 (または変更) してから、再びすべてのネジを固定します。

アクセルペダルでのセッティング例



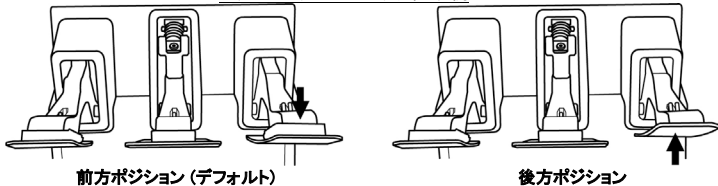
ペダル毎にセッティングできる、傾きポジション数:

- アクセルペダル = 3 ポジション
- ブレーキペダル = 3 ポジション
- クラッチペダル = 3 ポジション

ペダルのアライメントの調整

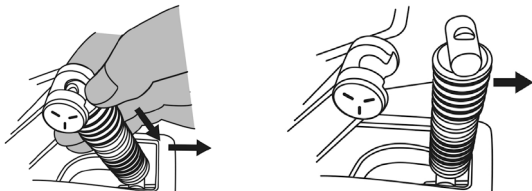
- ペダルを前に動かすには、プラスチック製のペダルヘッドサポート (10) を取り付けます。
- ペダルを後ろに動かすには、プラスチック製のペダルヘッドサポート (10) を取り外します。

アクセルペダルでのセッティング例

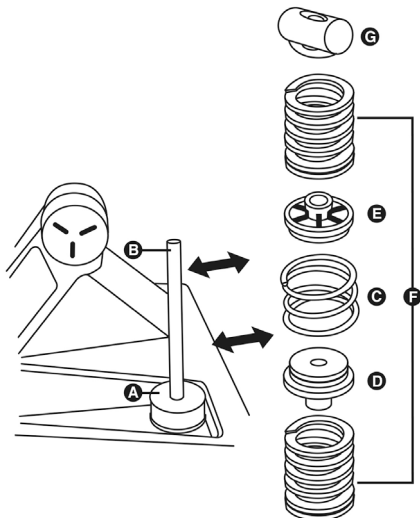


ブレーキペダルの抵抗を変更する

- PC またはゲーム機からペダルセットを取り外し、上部固定ヘッドのワッシャー (G) (ペダル背面に配置) をしっかりと押し下げてから、この部品を後方に引いて金属製アームから解放します。



- 保持ロッド (B) から、各要素を取り外します。



A Load Cell フォースセンサー

▲ 保持ロッドから絶対に取り外さないこと！

B スプリングカラム用保持ロッド

C 中央 4-スパイラル クロームメッキ加工セッティングスプリング

D ラバースパースー

E プラスチックスペーサー

F メイン 7-スパイラルスプリング
(F10, F15, F20, F30)

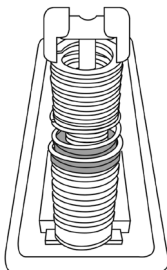
G 上部固定ヘッド (ワッシャー付き)

ブレーキペダルの抵抗は、メイン F スプリングを交換もしくは組み合わせることで調節できます：

F スプリングカラー	スプリング抵抗
白 (1 個付属)	F10
グレー (1 個付属)	F15
黒 (1 個付属)	F20
赤 (2 個付属)	F30

- 任意の要素およびメインスプリング (F10、F15、F20、および F30) を、(適切なスペーサーとともに) 保持ロッド上で再配置します。

例	抵抗
白 F10 スプリング 1 個 + グレー F15 スプリング 1 個	弱抵抗
グレー F15 スプリング 1 個 + 黒 F20 スプリング 1 個 (出荷時設定)	中抵抗
赤 F30 スプリング 2 個	強抵抗



各種スプリングの色々な組み合わせを試してみてください (多彩な組み合わせが可能になっています) 、自分に最も合った抵抗を探してみてください。

抵抗を変更したら、取り外し式 USB ケーブル (1) でペダルセットを PC に接続し、調整ソフトウェアを使ってブレーキペダルの調整を新たに行います。(新しいブレーキペダルの抵抗に対応する) この新しい調整は、ペダルセットの内蔵メモリに自動的に保存され、PC およびゲーム機上のすべてのゲームで有効になります。

▲▲ 超重要 ▲▲

工場出荷時のペダルセットの初期調整は、グレーの F15 スプリングと黒の F20 スプリング (中抵抗) で行われます。スプリングを変更 (つまりブレーキペダルの抵抗を変更) した場合は、PC 上で調整ソフトウェアを使ってブレーキペダルを再調整する必要があります。再調整を行わないと、ペダルセットは PC およびゲーム機上で正しく動作しません。

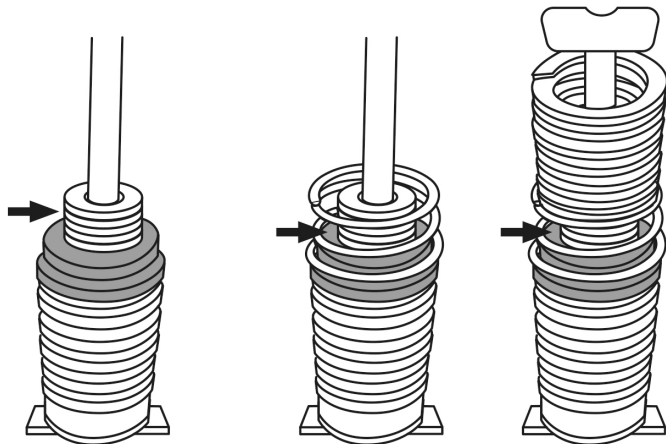
ブレーキペダルのセッティング効果を減らす/ゼロにする

より直線的なブレーキ抵抗が好みの場合は、中央クロームメッキ加工セッティングスプリング (C) によるセッティング効果を減らす、あるいはゼロにすることも可能です。

それには、中央クロームメッキ加工セッティングスプリング (C) の真ん中で、1~5 個のフラットワッシャー (B) を保持ロッドの上にスライドします。

注意:フラットワッシャーを追加すればするほど、セッティング効果は少なくなります (フラットワッシャー 5 個すべてを使うと完全にゼロになります)。

フラットワッシャー 5 個をすべて使って、セッティング効果をゼロにする例:



重要:

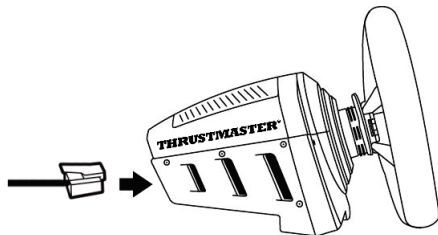
これらのフラットワッシャーを追加することには、ブレーキペダルの機械的な可動域を減らす効果もあります。

ペダルセットを、THRUSTMASTER ステアリングコントローラーのベースで使用する

= 取り外し式 RJ12 ケーブル (2) が必要

(このような使用時には、取り外し式 USB ケーブル (1) をペダルセットに接続しないでください。)

互換性:PC およびゲーム機



▲ 超重要 ▲

Thrustmaster ステアリングコントローラーのベース (TS-PC Racer、T-GT、T300、T150、TS-XW、TX、および TMX) に直接接続し、最適に動作させるためには、ステアリングコントローラーのベースのファームウェアを、<https://support.thrustmaster.com> で利用可能な最新バージョンにアップデートする必要があります。この新しいファームウェアを適用すると、T-LCM Pedals ペダルセットの高精度を最大限に活用し、調整ソフトウェアで作成した個人設定を利用できるようになります。

- Thrustmaster ステアリングコントローラーのベースのファームウェアがアップデートされたら、取り外し式 RJ12 ケーブル (2) を使ってペダルセットをステアリングコントローラーのベース背面に接続します。
- ステアリングコントローラーを PC またはゲーム機に接続します。
- ステアリングコントローラーのベースにある MODE LED が 5 回点滅し、ペダルセットが適切に認識されていることを通知します。

MODE LED が上記のように点滅しない場合、ステアリングコントローラーのベースが最新のファームウェアにアップデートされておらず、ペダルセットが高精度の **T-LCM Pedals** ペダルセットではなく、標準の **T3PA** または **T3PA PRO** タイプのペダルセットとして認識されていることを意味します。

これでプレイの準備ができました！

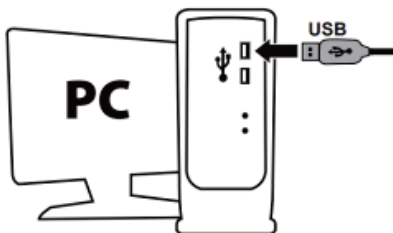
注意: この構成では、ステアリングコントローラーのベースに公式の Thrustmaster ホイールリムを取り付ける必要があります。そうしないと、ペダルセットが高精度の **T-LCM Pedals** ペダルセットとして認識されなくなります。

ペダルセットを、THRUSTMASTER 以外のステアリングコントローラー
一で使用する

(THRUSTMASTER ステアリングコントローラーベースでも可能)

= 取り外し式 USB ケーブル (1) が必要

互換性:PC のみ



- 取り外し式 USB ケーブル (1) で、PC のいずれかの USB ポートにペダルセットを接続し、ドライバのインストールを完了します。
- ドライバのインストールが終了したら、[Finish] をクリックしてコンピュータを再起動します。

これでプレイの準備ができました！

ペダルセットを PC に USB ケーブルで接続している場合の注意:

- このペダルセットは、マルチ USB 接続およびセパレートタイプのペダルセットに対応するゲームにおいて、市販されているすべてのステアリングコントローラーと互換性があります。
- ゲームを開始する前に、必ず [OK] をクリックして [ゲーム コントローラ] ウィンドウと、ペダルセットの調整ソフトウェアを完全に閉じてください。
- ペダルセットのファームウェアのバージョンは、調整ソフトウェアの左下隅に表示されます。

**使用するステアリングコントローラーとプラットフォームに応じた、ペダル
セット接続方法の概要**

	ペダルセット接続
ゲーム機上で Thrustmaster ステアリング コントローラーとの組み合わせ	取り外し式 RJ12 ケーブル (2)
PC 上で Thrustmaster ステアリング コントローラーとの組み合わせ	取り外し式 RJ12 ケーブル (2) or removable USB cable (1)
PC 上で Thrustmaster 以外のステア リングコントローラーとの組み合わせ	取り外し式 USB ケーブル (1)

警告



ペダルセットは、裸足もしくは靴下しか着用していない状態で絶対に使用しないでください。安全のため、必ず靴を着用してください。
THRUSTMASTER® は、靴を着用せずにペダルセットを使用したことによって生じたいかなるケガについても一切責任を負いません。



警告 - 感電

- * 本製品は湿気・ホコリの多い場所や、直射日光のあたる場所で保管しないでください。
- * 接続手順に正しくしたがってください。
- * コネクタやケーブルを、ねじったり引っ張ったりしないでください。
- * 本製品やコネクタをぬらさないでください。
- * 本製品をショートさせないでください。
- * 本製品は絶対に分解しないでください（本マニュアルに記載されている調節を除く）。本製品を火の中に投棄したり、高温にさらしたりしないでください。



警告 - 繰り返しの動きによる負傷の可能性

- ペダルセットを使ったゲームプレイは、筋肉や関節の痛みなどの症状を引き起こす恐れがあります。この危険性は、次のような予防措置をとることによって減らすことができます。
- * 長時間のプレイは避けてください（1 時間ごとに 10～15 分の休憩をとるようにしてください）。
 - * 脚や足に疲れや痛みを感じたときはプレイをただちに中止し、再開する前に数時間の休憩をとるようにしてください。
 - * 休憩後にプレイを再開しても、上記の症状や痛みがとれない場合は、プレイを中止して医師に相談してください。



警告 - ペダルセット挟まれ危険

- * ペダルセットは、お子様の手の届かない場所で使用および保管してください。
- * プレイ中は、ペダルアームの上もしくはその付近に指（およびその他の体の部位）を絶対に置かないでください。

危険



お役立ち情報やテクニック（本マニュアルには含まれていません）

さまざまなお役立ち情報やテクニックは、<https://support.thrustmaster.com> にて入手できます。[ステアリングホイール] / [T-LCM Pedals] をクリック。

著作権

©2019 Guillemot Corporation S.A. All rights reserved. Thrustmaster® は、Guillemot Corporation S.A. の登録商標です。PlayStation® は、ソニー・インタラクティブエンタテインメントの登録商標です。Windows® は、米国およびその他の国における、Microsoft Corporation の登録商標です。その他、本書に記載の登録商標およびブランド名は、それぞれの所有者に帰属します。本書に含まれるイラストには法的拘束力はありません。本書に含まれる内容、設計および仕様は、事前の通告なしに変更される場合があります、また、各国で異なる場合があります。

環境保護推奨

国内の電気電子機器のリサイクル法を遵守してください。

リサイクルのための廃機器の収集地点や廃棄方法についての詳細は、お住まいの地域の自治体までお問い合わせください。

この情報は大切に保管してください。色や形状は実際の製品と異なる場合があります。本製品をご使用になる前に、プラスチック留め具や粘着テープなどはすべて取り除いてください。

www.thrustmaster.com

Made in China.



T-LCM PEDALS

LOAD CELL & MAGNETICS

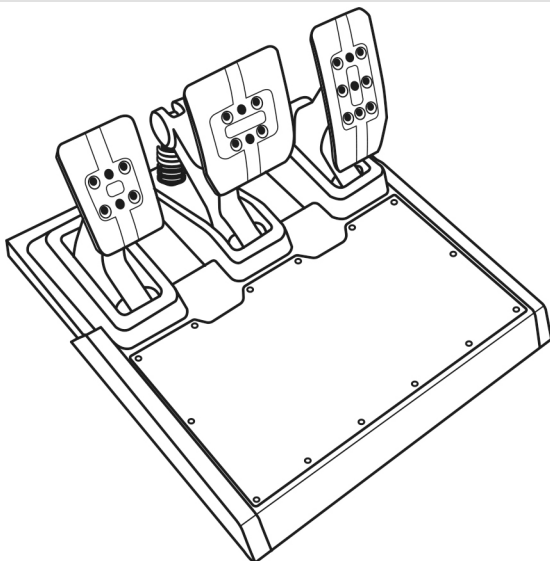
T-LCM 踏板-荷重元和磁性元件

PC – PlayStation®4 – Xbox One®

用户手册

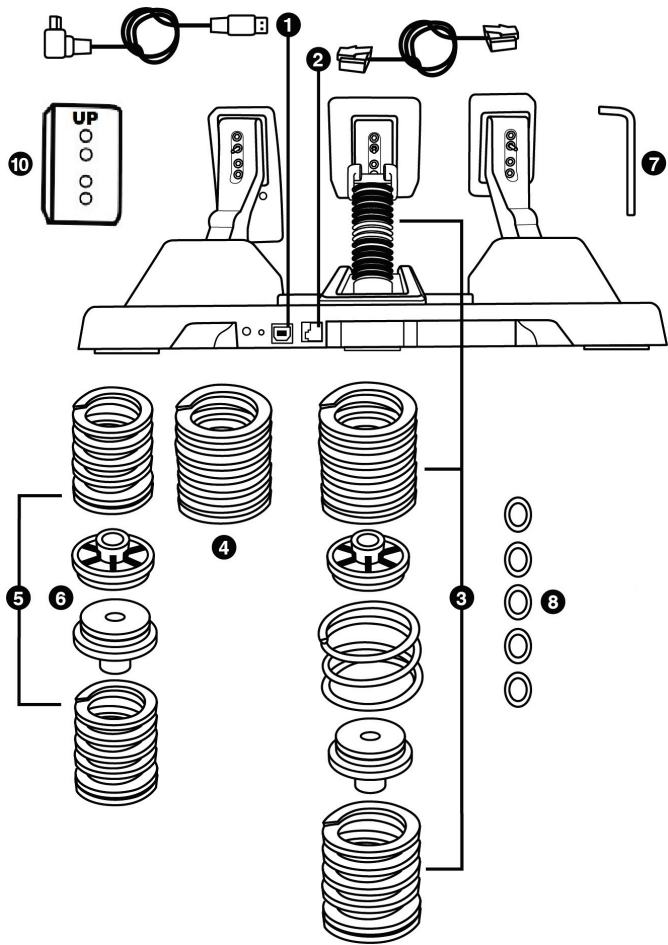


在使用此产品之前，请仔细阅读并保管好本用户手册以便日后参考之用。



技术特性

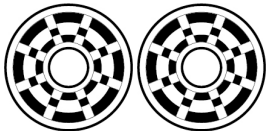

概览



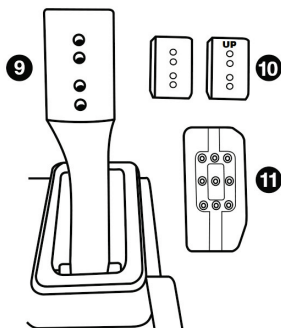
- 1 可拆卸的 USB 电缆；USB 接口位于踏板组背部
- 2 可拆卸的 RJ12 电缆；RJ12 接口位于踏板组背部
- 3 中等阻力，默认预装
(1 个黑色 F20 弹簧+ 1 个灰色 F15 弹簧)
(+ 1 个中央镀铬预载荷弹簧)
(+ 2 个不带标记的隔套)
- 4 1 个白色 F10 弹簧
- 5 2 个红色 F30 弹簧
- 6 2 个带红色标记的隔套
(专为搭配红色 F30 弹簧使用而设计)
- 7 2.5 mm 内六角扳手
- 8 5 个扁平垫圈 (用于降低或消除中央镀铬弹簧的预载荷)
- 10 用于调节踏板垂直倾度的塑料踏板头支座

隔套

包含 2 种类型的隔套。务必根据所选择的弹簧类型使用正确类型的隔套。

	<p>不带颜色标记的隔套 (带凹槽)</p> <p>用于搭配以下弹簧使用： 白色 F10 灰色 F15 黑色 F20</p>
	<p>带红色标记的隔套 (不带凹槽)</p> <p>专为搭配以下弹簧使用而设计： 红色 F30</p>

踏板臂和踏板头



- 9 金属踏板臂，带 4 个孔
- 10 塑料踏板头支座（放在踏板头和踏板臂之间），带 4 个孔
- 11 金属踏板头（带有不同数量的孔：油门踏板有 9 个孔；刹车踏板有 6 个孔；离合器踏板有 6 个孔）

校准软件

▲重要提醒▲

在改变刹车踏板的阻力时，必须执行以下程序。

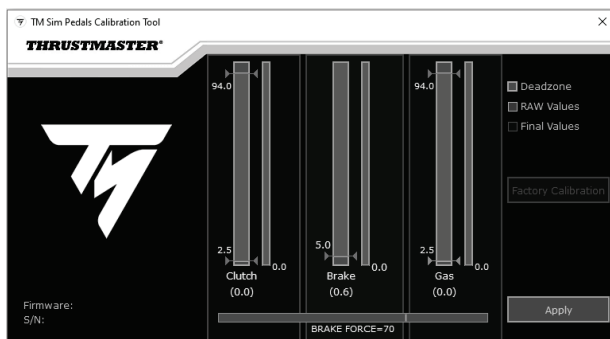
使用可拆卸的 USB 电缆 (1) 将踏板组连接到 PC。

在此程序中，踏板组不得连接可拆卸的 RJ12 电缆 (2)。

访问 <https://support.thrustmaster.com> 点击 Racing Wheels (方向盘) / T-LCM Pedals, 然后选择 Software (软件)。

下载并安装校准软件:

- 根据自己的喜好，调整所有三个踏板上行程开头处的盲区。
- 根据自己的喜好，调整油门踏板和离合器踏板上行程末尾处的盲区。
- 根据自己的喜好，调整刹车踏板上的电子阻力 (Brake Force)。



正确配置不同设置后，点击 APPLY，然后拔掉可拆卸的 USB 电缆 (1)。这些设置保存在踏板组的内存中，将在您的 PC 和游戏主机上的所有游戏中生效。

更新踏板组的固件

要更新固件，必须通过可拆卸的 USB 电缆 (1) 将踏板组连接到 PC。

可以将踏板组包含的固件更新为较新的版本，以改善产品性能。

固件版本显示在校准软件的左下角。

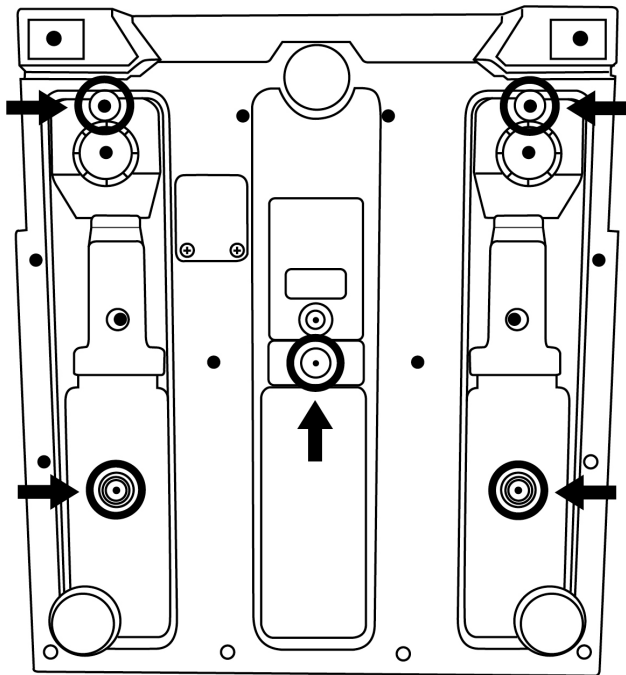
要更新踏板组的固件：在 PC 上，访问 <https://support.thrustmaster.com>，点击 Racing Wheels (方向盘) / T-LCM Pedals, 然后选择 Firmware (固件)。

将踏板组固定到支座上或驾驶座上

可以使用位于底座下面的 5 个 M6 螺纹将踏板组固定到各种不同的兼容支座（另售）上。为此，请至少使用 2 个 M6 螺丝（未含）穿过支座并插入踏板组底座下面的螺纹。



重要提示： M6 螺丝的长度不得比支座厚度多出 12 mm 以上，以免损坏踏板组的内部组件。



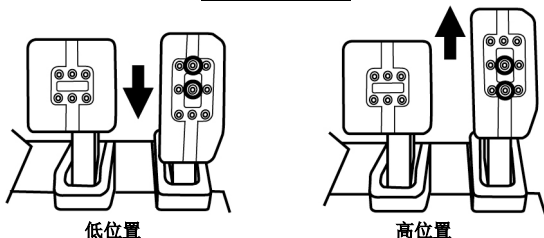
踏板组的驾驶座和其他支座安装示意图详见 <https://support.thrustmaster.com>：点击 Racing Wheels（方向盘） / T-LCM Pedals，然后选择 Template - Cockpit setup（模板 - 驾驶座安装）。

踏板组的机械设置

调节踏板的高度

- 利用随附的 2.5 mm 内六角扳手 (7)，松开并卸下用于紧固金属踏板头 (11) 及其塑料支架 (10) 的 2 个螺丝。
- 选择您喜好的高度位置，然后使用螺丝再次拧紧各个组件。

以油门踏板为例：



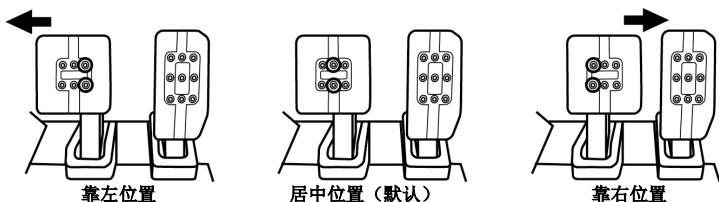
每个踏板不同高度位置数：

- 油门踏板 3 个
- 刹车踏板 2 个
- 离合器踏板 2 个

调节三个踏板的间距

- 利用随附的 2.5 mm 内六角扳手 (7)，松开并卸下用于紧固金属踏板头 (11) 及其塑料支架 (10) 的 2 个螺丝。
- 选择您喜好的位置（靠左、居中或靠右），然后使用螺丝再次拧紧各个组件。

以刹车踏板为例：



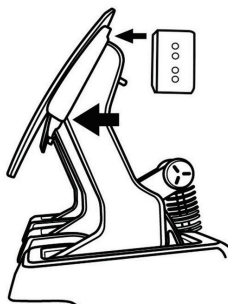
每个踏板不同间距位置数：

- 油门踏板 3 个
- 刹车踏板 3 个
- 离合器踏板 3 个

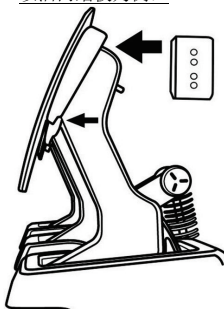
调节踏板的倾角

- 利用随附的 2.5 mm 内六角扳手 (7)，松开并卸下用于紧固金属踏板头 (11) 及其塑料支架 (10) 的 2 个螺丝。
- 下一步，将塑料踏板头支座 (10) 旋转 180° (或更换该支座)，然后使用螺丝再次拧紧各个组件。

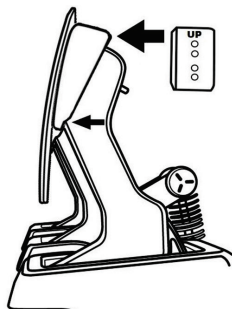
以油门踏板为例：



倾角较小的位置



倾角较大的位置
(默认)



垂直位置

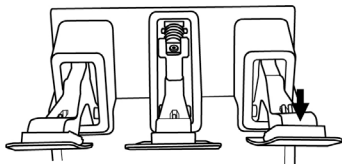
每个踏板不同倾角位置数：

- 油门踏板 3 个
- 刹车踏板 3 个
- 离合器踏板 3 个

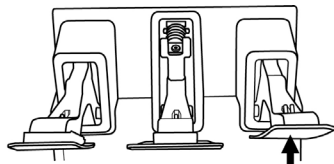
调节踏板的前后位置

- 安装塑料踏板头支座 (10)，可向前移动踏板。
- 卸下塑料踏板头支座 (10)，可向后移动踏板。

以油门踏板为例：



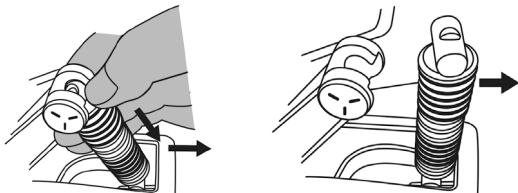
前端位置 (默认)



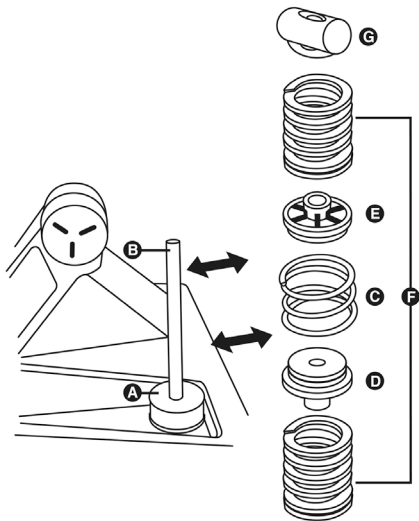
后端位置

改变刹车踏板的阻力

- 从 PC 或游戏主机上断开踏板组，然后用力压紧上固定压头垫圈 (G) (位于踏板背部)，然后向后拉出此组件，使之脱离金属臂。



- 从支撑杆 (B) 上卸下不同组件。



A Load Cell 力传感器

⚠ 切勿从支撑杆上卸下此传感器!

B 弹簧柱支撑杆

C 中央 4 螺旋镀铬预紧弹簧

D 橡胶隔套

E 塑料隔套

F 主 7 螺旋弹簧

(F10、F15、F20、F30)

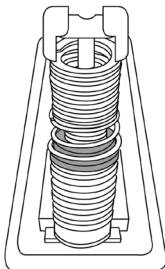
G 带垫圈的上固定压头

刹车踏板的阻力可通过更换或混用主 F 弹簧来调节：

F 弹簧颜色	弹簧阻力
白色 (含 1 个)	F10
灰色 (含 1 个)	F15
黑色 (含 1 个)	F20
红色 (含 2 个)	F30

- 将您选择的不同元件和主弹簧 (**F10、F15、F20 或 F30**) (**以及相应的隔套**) 放回支撑杆上。

示例	阻力
1 个白色 F10 弹簧 + 1 个灰色 F15 弹簧	弱阻力
1 个灰色 F15 弹簧 + 1 个黑色 F20 弹簧 (默认安装)	中等阻力
2 个红色 F30 弹簧	强阻力



不妨多尝试混用不同的弹簧 (允许使用各种不同的组合)，以找出最适合您的阻力水平。

修改阻力后，通过可拆卸的 USB 电缆 (1) 将踏板组连接到 PC，然后通过校准软件重新校准刹车踏板。重新校准后的结果 (对应于新的刹车踏板阻力) 将自动保存在踏板组的内存中，并将在您的 PC 和游戏主机中的所有游戏中生效。

▲重要提醒▲

踏板组的默认出厂校准设定为 1 个灰色 F15 弹簧和 1 个黑色 F20 弹簧 (中等阻力)。如果更换了弹簧 (进而改变了刹车踏板的阻力)，则必须在 PC 上使用校准软件重新校准刹车踏板：否则，刹车踏板将无法在 PC 或游戏主机上正确运行。

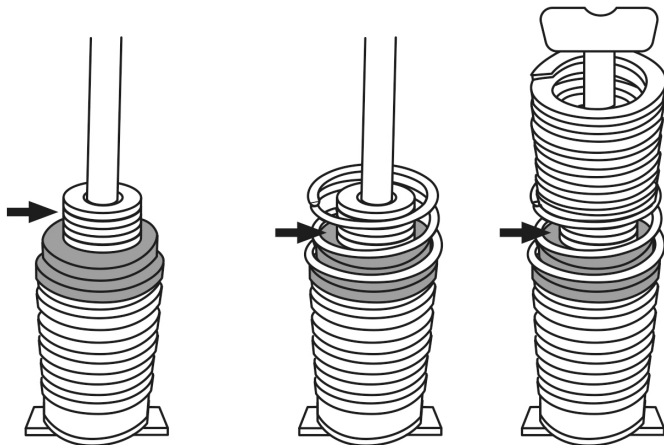
减弱或消除刹车踏板的预载荷效应

对于喜好线性刹车阻力的用户，可以减弱或消除中央镀铬预紧弹簧 (C) 的预载荷效应。

为此，可将 1 到 5 个扁平垫圈 (8) 滑动到支撑杆上中央镀铬预紧弹簧(C) 的中心部分。

请注意：您加装的扁平垫圈越多，预载荷效应也就减弱得越明显（或者完全消除，倘若您使用了全部5个扁平垫圈的话）。

使用全部 5 个扁平垫圈消除预载荷效应的示例：



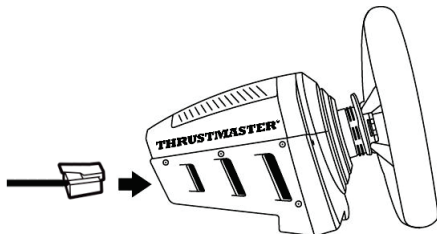
重要提示：

加装这些扁平垫圈还会起到缩短刹车踏板机械行程的作用。

使用搭配 Thrustmaster（图马思特）方向盘底座的踏板组 = 必须拔掉 RJ12 电缆 (2)

（此类用途中，踏板组不得连接可拆卸的 USB 电缆 (1)。）

兼容性：PC 和游戏主机



▲重要提醒▲

为了确保直接连接到 Thrustmaster（图马思特）方向盘底座（TS-PC Racer、T-GT、T300、T150、TS-XW、TX 和 TMX）的踏板组能够运行在最佳状态，您必须将方向盘底座的固件更新为 <https://support.thrustmaster.com> 上提供的最新版本。通过升级为新固件，您将能够充分发挥 T-LCM Pedals 踏板组的高精度并可重复使用通过校准软件做出的个人设置。

- 更新 Thrustmaster（图马思特）方向盘底座的固件之后，使用可拆卸的 RJ12 电缆 (2) 将踏板组连接到方向盘底座的背部。
- 将方向盘连接到您的 PC 或游戏主机。
- 方向盘底座上的 MODE LED 将闪烁 5 次，指示该踏板组已被正确识别，能够以最佳状态运行。

倘若 MODE LED 并未像上述那样闪烁，这表明方向盘底座尚未更新到最新的固件，并且该踏板组未被识别为高精度 T-LCM Pedals 踏板组，而只是被识别为标准的 T3PA 或 T3PA PRO 类型踏板组。

现在即可开始玩游戏了！

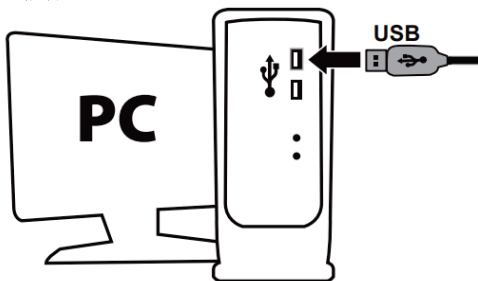
请注意：在此配置中，必须在方向盘底座上安装 Thrustmaster（图马思特）官方方向盘轮毂。否则，将导致踏板组不能被识别为高精度 T-LCM Pedals 踏板组。

使用搭配非 Thrustmaster (图马思特) 方向盘底座的踏板组

(亦可搭配 Thrustmaster (图马思特) 赛车方向盘底座)

= 必须拔掉 USB 电缆 (1)

兼容性: 仅兼容 PC



- 使用可拆卸的 USB 电缆 (1) 将踏板组连接到 PC 上的 USB 端口之一，然后完成驱动程序安装。
- 完成驱动程序安装后，点击 **Finish** 并重启计算机。

现在即可开始玩游戏了!

当踏板组通过 USB 电缆连接到 PC 时的注意事项:

- 该踏板组在支持多 USB 连接和独立踏板组的游戏兼容所有市售方向盘。
- 在启动游戏之前，务必始终完全关闭游戏控制器窗口（通过单击 **OK**）和踏板组校准软件。
- 踏板组的固件版本显示在校准软件的左下角。

关于如何根据所使用的方向盘和平台连接踏板组的扼要说明

	踏板组连接
在连接有 Thrustmaster (图马思特) 方向盘的游戏主机上	可拆卸的 RJ12 电缆 (2)
在连接有 Thrustmaster (图马思特) 方向盘的 PC 上	可拆卸的 RJ12 电缆 (2) 或 可拆卸的 USB 电缆 (1)
在连接有非 Thrustmaster (图马思特) 方向盘的 PC 上	可拆卸的 USB 电缆 (1)

警告



为安全起见，切勿赤脚或仅穿袜子操作踏板组。
如因未穿鞋操作踏板组而造成任何伤害，THRUSTMASTER®（图马思特）对此概不负责。



警告——触电

- * 请将本产品置于干燥的位置，切勿将其暴露在灰尘或阳光中。
- * 连接时请注意极性。
- * 切勿扭曲或拉扯连接器和电缆。
- * 切勿让任何液体溅到本产品或其连接器上。
- * 切勿短接本产品。
- * 切勿拆解本产品（本用户手册中介绍的任何调整除外）。切勿将其投入火中，亦勿将其暴露在高温环境中。



警告——因重复运动造成的伤害

- 使用踏板组玩游戏可能会造成肌肉或关节疼痛。为避免这些问题：
- * 避免长时间玩游戏（每玩一小时后休息 10 到 15 分钟）。
 - * 如果腿部或脚部有任何疲劳或疼痛的感觉，应停止玩游戏，休息几个小时后再玩。
 - * 如果再玩时仍然存在上述症状或疼痛感，应立即停止玩游戏并咨询医生。



警告——游戏期间存在踏板组夹伤危险

- * 将踏板组放在儿童够不到的区域。
- * 在游戏期间，切勿将手指（或身体其他部位）放在踏板臂上或附近。

切勿



各种技巧和提示（本手册中未含）

各种技巧和提示详见 <https://support.thrustmaster.com>：点击 Racing Wheels（方向盘）/ T-LCM Pedals。

版权声明

© 2019 Guillemot Corporation S.A. 保留所有权利。Thrustmaster® 是 Guillemot Corporation S.A. 的注册商标。PlayStation® 是 Sony Computer Entertainment Inc. 的注册商标。Windows® 是 Microsoft Corporation 在美国和/或其他国家/地区的注册商标。特此确认，所有其他商标和品牌名称均为其各自所有者的资产。插图不具约束力。内容、设计和规格可能因国家/地区而异，并可能随时出现更改，恕不另行通知。中国制造。

环保建议

有关离您最近的收集点的信息，请联系您当地的相关机构。
请遵守当地电气电子设备的回收法律。

请保留此信息。颜色和装饰风格可能会有所不同。
在使用本产品之前，应先取下塑料紧固件并撕掉胶带。

www.thrustmaster.com

THRUSTMASTER®

技术支持

<https://support.thrustmaster.com>



T-LCM PEDALS

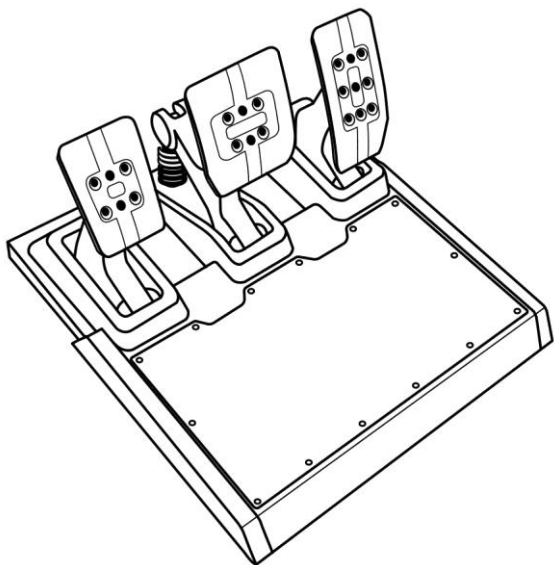
LOAD CELL & MAGNETICS

PC – PlayStation®4 – Xbox One®

使用者手冊

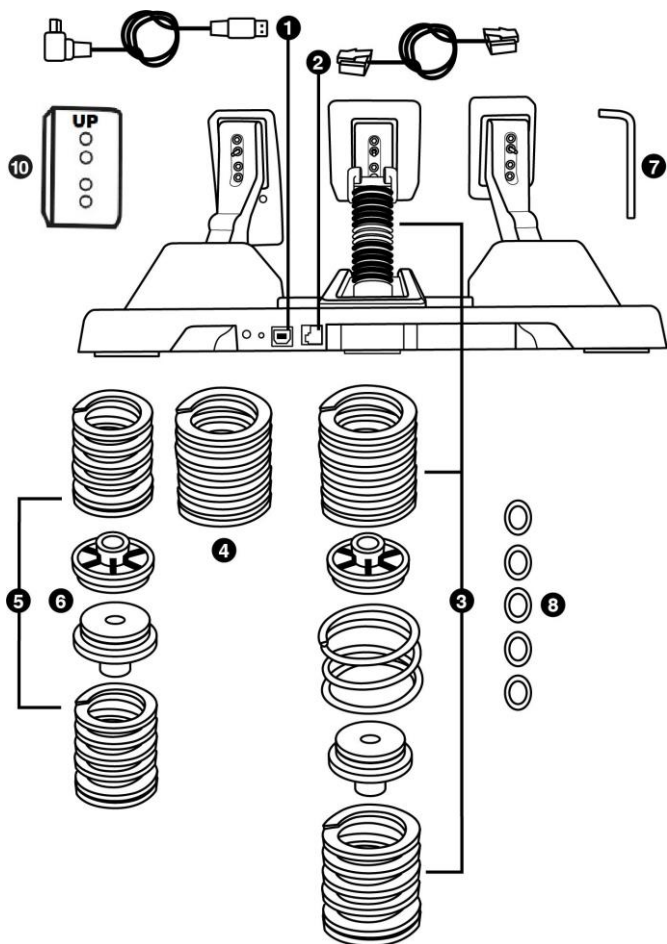


在使用此產品之前，請仔細閱讀並保管好本使用者手冊以便日後參考之用。



技術特性


概覽



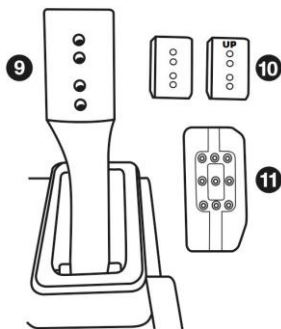
- 1 可拆卸的 USB 纜線；USB 接頭位於踏板組背部
- 2 可拆卸的 RJ12 纜線；RJ12 接頭位於踏板組背部
- 3 中等阻力，默認預裝
(1 個黑色 F20 彈簧+ 1 個灰色 F15 彈簧)
(+ 1 個中央鍍鉻預壓彈簧)
(+ 2 個不帶標記的隔套)
- 4 1 個白色 F10 彈簧
- 5 2 個紅色 F30 彈簧
- 6 2 個帶紅色標記的隔套
(專為搭配紅色 F30 彈簧使用而設計)
- 7 2.5 mm 內六角扳手
- 8 5 個扁平墊圈 (用於降低或消除中央鍍鉻彈簧的預壓力)
- 10 用於調節踏板垂直傾度的塑膠踏板頭支座

隔套

包含 2 種類型的隔套。務必根據所選取的彈簧類型使用正確類型的隔套。

	<p>不帶顏色標記的隔套 <i>(帶凹槽)</i></p> <p>用於搭配以下彈簧使用： 白色 F10 灰色 F15 黑色 F20</p>
	<p>帶紅色標記的隔套 <i>(不帶凹槽)</i></p> <p>專為搭配以下彈簧使用而設計： 紅色 F30</p>

踏板臂和踏板頭



- 9 金屬踏板臂，帶 4 個孔
- 10 塑膠踏板頭支座 (放在踏板頭和踏板臂之間)，帶 4 個孔
- 11 金屬踏板頭 (帶有不同數量的孔：油門踏板有 9 個孔；煞車踏板 6 個孔；離合器踏板 6 個孔)

▲ 重要提醒 ▲

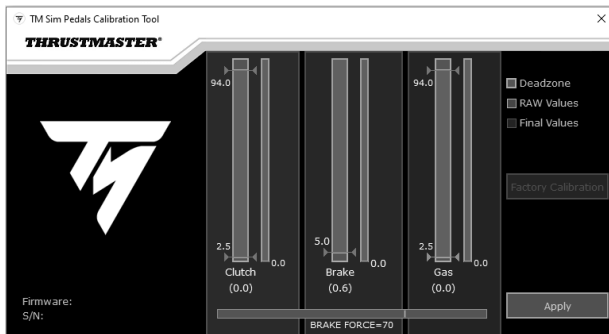
在改變煞車踏板的阻力時，必須執行以下程式。

使用可拆卸的 USB 纜線 (1) 將踏板組連接到 PC。
在此程式中，踏板組不得連接可拆卸的 RJ12 纜線 (2)。

存取 <https://support.thrustmaster.com> 按一下方向盤 / T-LCM Pedals，然後選取軟體。

下載並安裝校準軟體：

- 根據自己的喜好，調整所有三個踏板上行程開頭處的盲區。
- 根據自己的喜好，調整油門踏板和離合器踏板上行程末尾處的盲區。
- 根據自己的喜好，調整煞車踏板上的電子阻力 (Brake Force)。



正確配置不同設定後，按一下 APPLY，然後拔掉可拆卸的 USB 纜線 (1)。這些設定儲存在踏板組的記憶體中，將在您的 PC 和遊戲主機上的所有遊戲中生效。

更新踏板組的韌體

要更新韌體，必須透過可拆卸的 USB 纜線 (1) 將踏板組連接到 PC。

可以將踏板組包含的韌體更新為較新的版本，以改善產品效能。
韌體版本顯示在校準軟體的左下角。

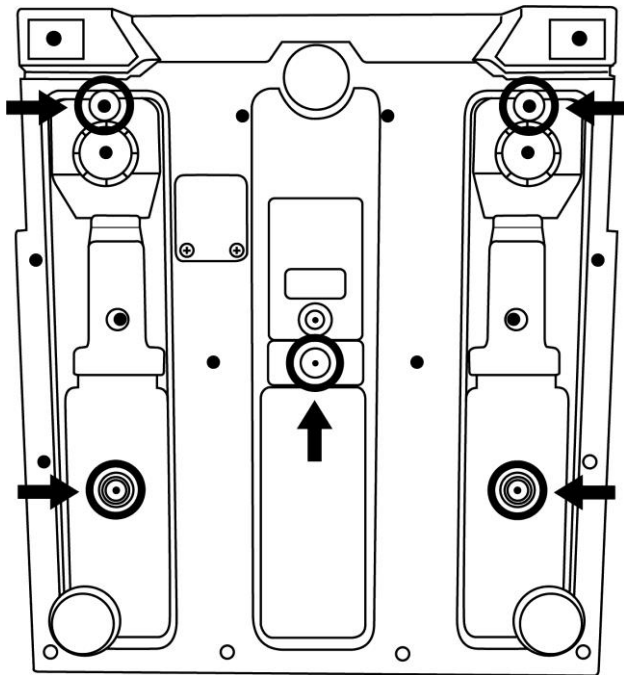
要更新踏板組的韌體：在 PC 上，瀏覽 <https://support.thrustmaster.com>，按一下方向盤 / T-LCM Pedals，然後選取韌體。

將踏板組固定到支座上或駕駛座上

可以使用位於底座下面的 5 個 M6 螺紋將踏板組固定到各種不同的相容支座（另售）上。為此，請至少使用 2 個 M6 螺絲（未含）穿過支座並插入踏板組底座下面的螺紋。



重要提示： M6 螺絲的長度不得比支座厚度多出 12 mm 以上，以免損壞踏板組的內部元件。



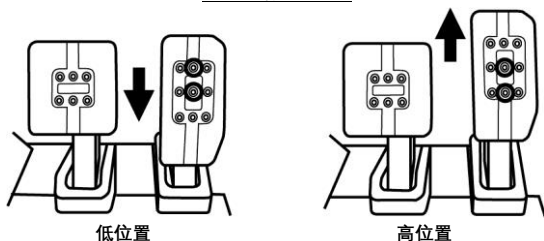
踏板組的駕駛座和其他支座安裝示意圖詳見 <https://support.thrustmaster.com>：按一下方向盤 / T-LCM Pedals，然後選取範本 - 駕駛座安裝。

踏板組的機械設定

調節踏板的高度

- 利用隨附的 2.5 mm 內六角扳手 (7)，鬆開並卸下用於緊固金屬踏板頭 (8) 及其塑膠支架 (10) 的 2 個螺絲。
- 選取您喜好的高度位置，然後使用螺絲再次擰緊各個元件。

以油門踏板為例：



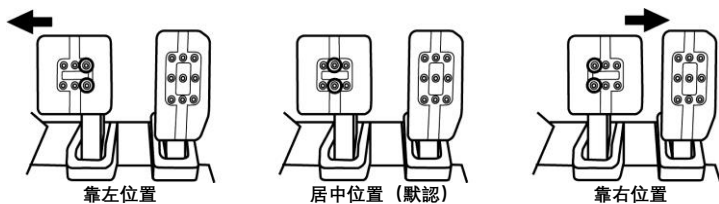
每個踏板不同高度位置數：

- 油門踏板 3 個
- 煞車踏板 2 個
- 離合器踏板 2 個

調節三個踏板的間距

- 利用隨附的 2.5 mm 內六角扳手 (7)，鬆開並卸下用於緊固金屬踏板頭 (8) 及其塑膠支架 (10) 的 2 個螺絲。
- 選取您喜好的位置（靠左、居中或靠右），然後使用螺絲再次擰緊各個元件。

以煞車踏板為例：



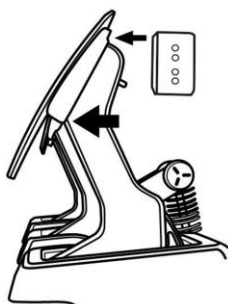
每個踏板不同間距位置數：

- 油門踏板 3 個
- 煞車踏板 3 個
- 離合器踏板 3 個

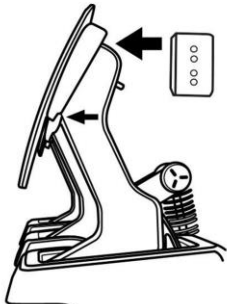
調節踏板的傾角

- 利用隨附的 2.5 mm 內六角扳手 (7)，鬆開並卸下用於緊固金屬踏板頭 (8) 及其塑膠支架 (10) 的 2 個螺絲。
- 下一步，將塑膠踏板頭支座 (10) 旋轉 180° (或更換該支座)，然後使用螺絲再次擰緊各個元件。

以油門踏板為例：

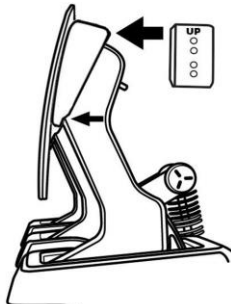


傾角較小的位置



傾角較大的位置

(默認)



垂直位置

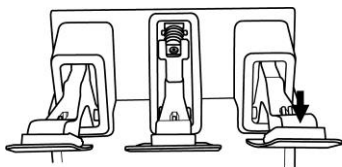
每個踏板不同傾角位置數：

- 油門踏板 3 個
- 煞車踏板 3 個
- 離合器踏板 3 個

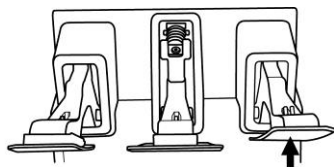
調節踏板的前後位置

- 安裝塑膠踏板頭支座 (10)，可向前移動踏板。
- 卸下塑膠踏板頭支座 (10)，可向後移動踏板。

以油門踏板為例：



前端位置 (默認)

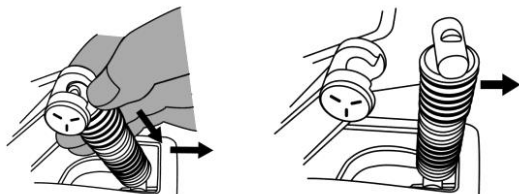


後端位置

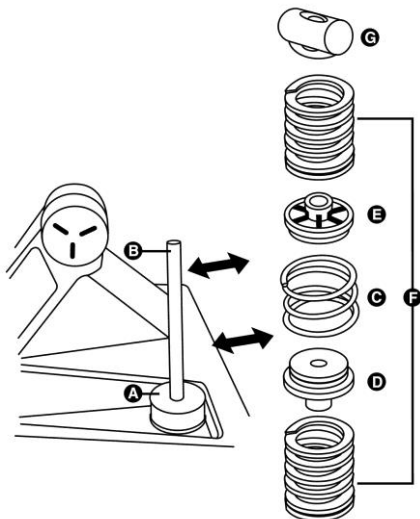
改變煞車踏板的阻力

煞車踏板的阻力可透過更換或混用主彈簧來調節。

- 從 PC 或遊戲主機上斷開踏板組，然後用力壓緊上固定壓頭墊圈 (G) (位於踏板背部)，然後向後拉出此元件，使之脫離金屬臂。



- 從支撐杆 (B) 上卸下不同元件。



A Load Cell 力感測器

⚠ 切勿從支撐杆上卸下此感測器!

B 彈簧柱支撐杆

C 中央 4 螺旋鍍鉻預壓彈簧

D 橡膠隔套

E 塑膠隔套

F 7 螺旋主彈簧

(F10、F15、F20、F30)

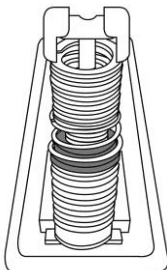
G 帶墊圈的上固定壓頭

煞車踏板的阻力可透過更換或混用主 F 彈簧來調節：

F 彈簧顏色	彈簧阻力
白色 (含 1 個)	F10
灰色 (含 1 個)	F15
黑色 (含 1 個)	F20
紅色 (含 2 個)	F30

- 將您選取的不同元件和主彈簧 (F10、F15、F20 或 F30) (以及相應的隔套) 放回支撐杆上。

示例	阻力
1 個白色 F10 彈簧 + 1 個灰色 F15 彈簧	弱阻力
1 個灰色 F15 彈簧 + 1 個黑色 F20 彈簧 (默認安裝)	中等阻力
2 個紅色 F30 彈簧	強阻力



不妨多嘗試混用不同的彈簧 (允許使用各種不同的組合)，
以找出最適合您的阻力水準。

修改阻力後，透過可拆卸的 USB 纜線 (1) 將踏板組連接到 PC，然後透過校準軟體重新校準煞車踏板。重新校準後的結果 (對應於新的煞車踏板阻力) 將自動儲存在踏板組的記憶體中，並將在您的 PC 和遊戲主機中的所有遊戲中生效。

▲ 重要提醒 ▲

踏板組的默認出廠校準設定為 1 個灰色 F15 彈簧和 1 個黑色 F20 彈簧 (中等阻力)。如果更換了彈簧 (進而改變了煞車踏板的阻力)，則必須在 PC 上使用校準軟體重新校準煞車踏板：否則，煞車踏板將無法在 PC 或遊戲主機上正確運作。

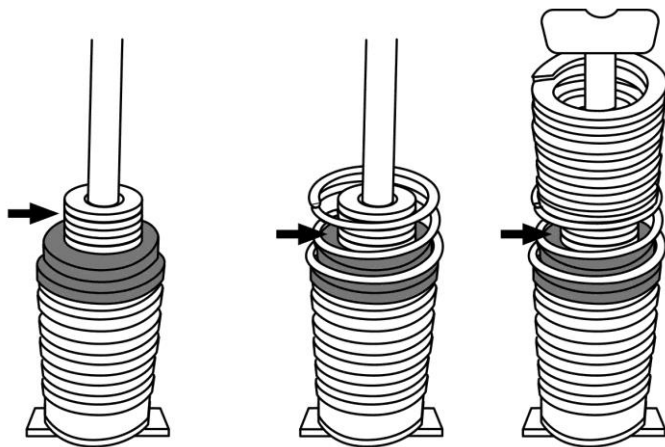
減弱或消除煞車踏板的預壓力效應

對於喜好線性煞車阻力的使用者，可以減弱或消除中央鍍鉻預壓彈簧 (C) 的預壓力效應。

為此，可將 1 到 5 個扁平墊圈 (B) 滑動到支撐杆上中央鍍鉻預壓彈簧 (C) 的中心部分。

請注意：您加裝的扁平墊圈越多，預壓效應也就減弱得越明顯（或者完全消除，倘若您使用了全部 5 個扁平墊圈的話）。

使用全部 5 個扁平墊圈消除預壓力效應的示例：



重要提示：

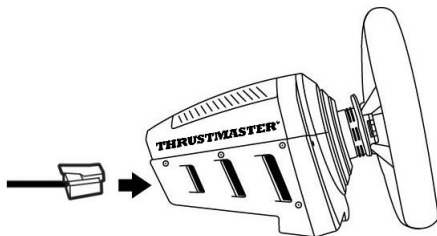
加裝這些扁平墊圈還會起到縮短煞車踏板機械行程的作用。

使用搭配 Thrustmaster (圖馬思特) 方向盤底座的踏板組

= 必須拔掉 RJ12 纜線 (2)

(此類用途中，踏板組不得連接可拆卸的 USB 纜線 (1)。)

相容性：PC 和遊戲主機



▲ 重要提醒 ▲

為了確保直接連接到 Thrustmaster (圖馬思特) 方向盤底座 (TS-PC Racer、T-GT、T300、T150、TS-XW、TX 和 TMX) 的踏板組能夠運作在最佳狀態，您必須將方向盤底座的韌體更新為 <https://support.thrustmaster.com> 上提供的最新版本。透過升級為新韌體，您將能夠充分發揮 T-LCM Pedals 踏板組的高精度並可重複使用透過校準軟體做出的個人設定。

- 更新 Thrustmaster (圖馬思特) 方向盤底座的韌體之後，使用可拆卸的 RJ12 纜線 (2) 將踏板組連接到方向盤底座的背部。
- 將方向盤連接到您的 PC 或遊戲主機。
- 方向盤底座上的 MODE LED 將閃爍 5 次，指示該踏板組已被正確識別，能夠以最佳狀態運作。

倘若 MODE LED 並未像上述那樣閃爍，這表明方向盤底座尚未更新到最新的韌體，並且該踏板組未被識別為高精度 T-LCM Pedals 踏板組，而只是被識別為標準的 T3PA 或 T3PA PRO 類型踏板組。

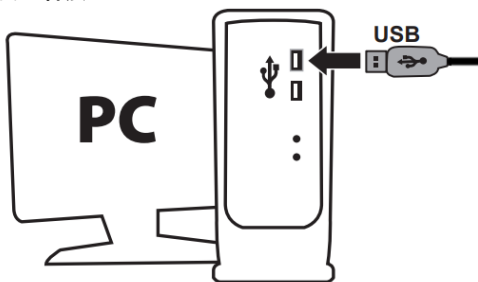
現在即可開始玩遊戲了！

請注意：在此配置中，必須在方向盤底座上安裝 Thrustmaster (圖馬思特) 官方方向盤輪緣。否則，將導致踏板組不能被識別為高精度 T-LCM Pedals 踏板組。

使用搭配非 Thrustmaster (圖馬思特) 方向盤底座的踏板組
(亦可搭配 Thrustmaster (圖馬思特) 賽車方向盤底座)

= 必須拔掉 USB 纜線 (1)

相容性：僅相容於 PC



- 使用可拆卸的 USB 纜線 (1) 將踏板組連接到 PC 上的 USB 埠之一，然後完成驅動程式安裝。
- 完成驅動程式安裝後，按一下 **Finish** 並重啟電腦。

現在即可開始玩遊戲了！

當踏板組透過 USB 電纜連線到 PC 時的注意事項：

- 該踏板組在支援多 USB 連接和獨立踏板組的遊戲中相容於所有市售方向盤。
- 在啟動遊戲之前，務必始終完全關閉遊戲控制器視窗（透過按一下 **OK**）和踏板組校準軟體。
- 踏板組的韌體版本顯示在校準軟體的左下角。

關於如何根據所使用的方向盤和平台連接踏板組的扼要說明

	踏板組連接
在連接有 Thrustmaster (圖馬思特) 方向盤的遊戲主機上	可拆卸的 RJ12 纜線 (2)
在連接有 Thrustmaster (圖馬思特) 方向盤的 PC 上	可拆卸的 RJ12 纜線 (2) 或可拆卸的 USB 纜線 (1)
在連接有非 Thrustmaster (圖馬思特) 方向盤的 PC 上	可拆卸的 USB 纜線 (1)

警告



為安全起見，切勿赤腳或僅穿襪子操作踏板組。

如因未穿鞋操作踏板組而造成任何傷害，THRUSTMASTER®（圖馬思特）對此概不負責。



警告 - 觸電

- * 請將本產品置於乾燥的位置，切勿將其暴露在灰塵或陽光中。
- * 連接時請注意極性。
- * 切勿扭曲或拉扯連接器和纜線。
- * 切勿讓任何液體濺到本產品或其連接器上。
- * 切勿短接本產品。
- * 切勿拆解本產品（本使用者手冊中介紹的任何調整除外）。切勿將其投入火中，亦勿將其暴露在高溫環境中。



警告——因重複運動造成的傷害

使用踏板組玩遊戲可能會造成肌肉或關節疼痛。為避免這些問題：

- * 避免長時間玩遊戲（每玩一小時後休息 10 到 15 分鐘）。
- * 如果腿部或腳部有任何疲勞或疼痛的感覺，應停止玩遊戲，休息幾個小時後再玩。
- * 如果再玩時仍然存在上述症狀或疼痛感，應立即停止玩遊戲並諮詢醫生。



警告 - 遊戲期間存在踏板組夾傷危險

- * 將踏板組放在兒童夠不到的區域。
- * 在遊戲期間，切勿將手指（或身體其他部位）放在踏板臂上或附近。

切勿



各種技巧和提示（本手冊中未含）

各種技巧和提示詳見 <https://support.thrustmaster.com>：按一下方向盤 / T-LCM Pedals。

版權所有

© 2019 Guillemot Corporation S.A. 保留所有權利。Thrustmaster® (圖馬思特) 為 Guillemot Corporation S.A. 的註冊商標。PlayStation® 為 Sony Interactive Entertainment Inc 的註冊商標。Windows® 為 Microsoft Corporation 的註冊商標。其他商標或註冊商標均為其個別擁有者的財產。圖片並不受約束。產品內容、設計和規格如有變更，恕不另行通知，並可能會視乎國家而不同。中國製造。



T-LCM PEDALS

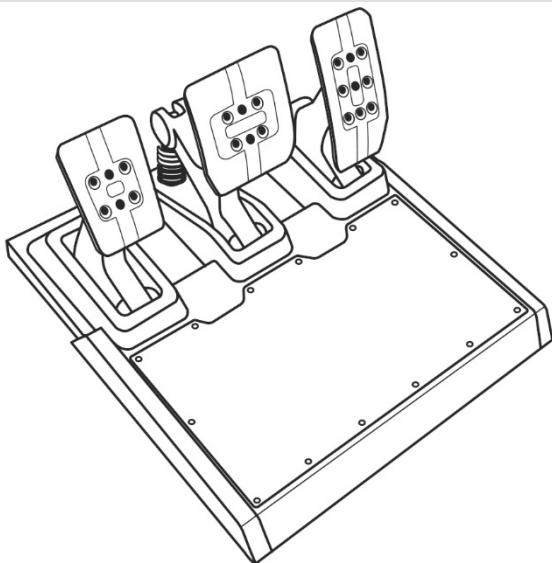
LOAD CELL & MAGNETICS

PC – PlayStation®4 – Xbox One®

사용설명서

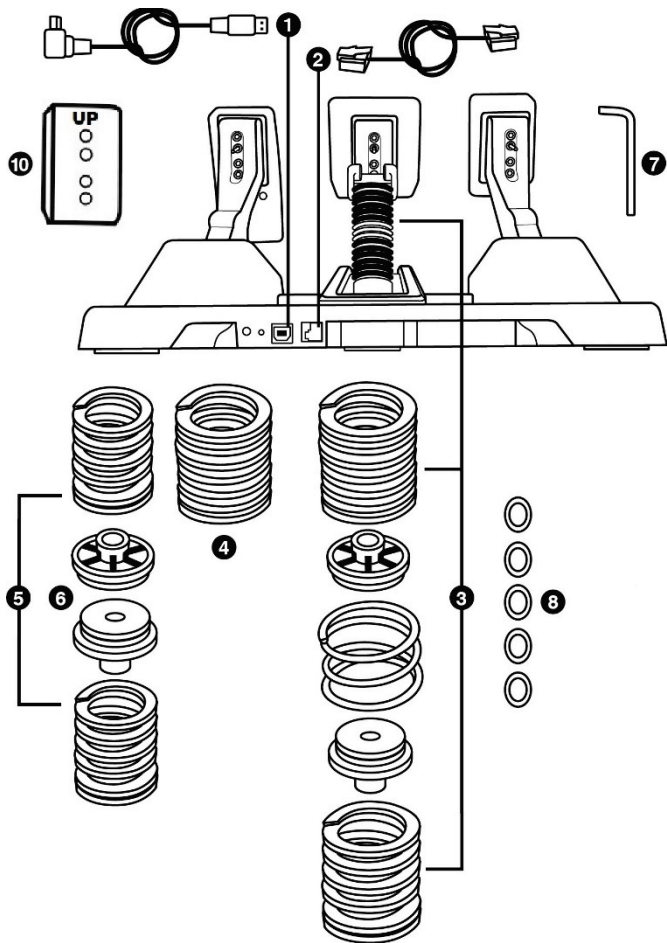


이 제품을 사용하기에 앞서, 사용설명서를 숙지하시고
필요한 경우 확인하기 위해 보관해 두십시오.



기술적 특징

전반적인 개요



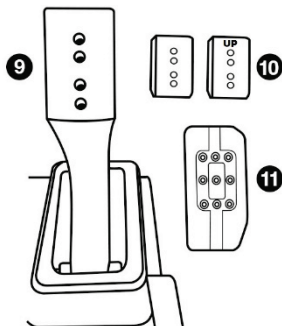
- 1 탈착식 USB 케이블, 페달 세트 뒤에 있는 USB 커넥터
- 2 탈착식 RJ12 케이블, 페달 세트 뒤에 있는 RJ12 커넥터
- 3 중간 저항, 기본으로 설치되어 있음
(검은색 F20 스프링 1 개 + 회색 F15 스프링 1 개)
(+ 중앙에 크롬 도금된 프리스트레싱 스프링 1 개)
(+ 표시가 없는 스페이스 2 개)
- 4 흰색 F10 스프링 1 개
- 5 빨간색 F30 스프링 2 개
- 6 빨간 표시가 없는 스페이스 2 개
(빨간색 F30 스프링과 함께 사용하도록 특별히 제작)
- 7 2.5mm 앨런 키
- 8 편평한 와셔 5 개(중앙에 크롬 도금된 스프링의 프리스트레싱을 감소 또는 제거)
- 10 페달의 수직 기둥기둥 플라스틱 페달 헤드 지지대

스페이스

두 종류의 스페이스가 포함되어 있습니다. 선택한 스프링의 종류에 따라 적절한 종류의 스페이스를 사용해야 합니다.

	<p>색상 표시가 없는 스페이스 (있음)</p> <p>다음의 스프링과 함께 사용할 수 있습니다:</p> <p>흰색 F10 회색 F15 검은색 F20</p>
	<p>빨간 표시가 있는 스페이스 (없음)</p> <p>다음의 스프링과 함께 사용하도록 특별히 제작되었습니다:</p> <p>빨간색 F30</p>

페달 압 및 헤드



9 구멍 4 개가 있는 금속 페달 압

10 구멍 4 개가 있는 플라스틱 페달 헤드
지지대(페달 헤드와 압 사이에 위치)

11 금속 페달 헤드(구멍의 수가 다름.

가속 페달: 9 개, 브레이크 페달: 6 개,
클러치 페달: 6 개)

교정 소프트웨어

⚠ 매우 중요 ⚠

브레이크 페달 저항을 변경할 때에는 반드시 이 절차를 따라야 합니다.

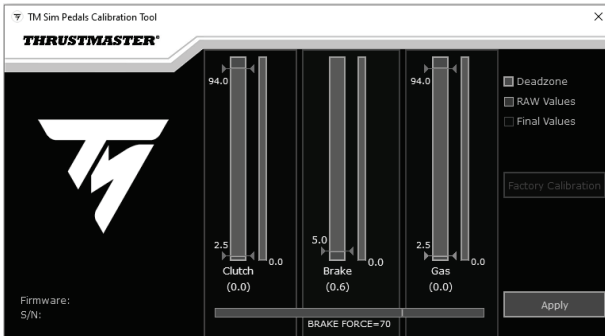
페달 세트를 탈착식 USB 케이블 (1)을 사용하여 PC에 연결합니다.

탈착식 RJ12 케이블 (2)은, 이 과정을 수행하는 동안에 페달 세트에 연결되어서는 안 됩니다.

<https://support.thrustmaster.com> 사이트를 방문하십시오. **스티어링 핸들 / T-LCM Pedals** 을 클릭한 다음, **소프트웨어**를 선택하십시오.

교정 소프트웨어를 다운로드 한 다음 설치하십시오:

- 세 페달 모두에서 이동 범위의 시작 부분에 있는 데드 존을 조절하십시오.
- 가속 페달 및 클러치 페달에서 이동 범위의 끝부분에 있는 데드 존을 조절하십시오.
- 브레이크 페달에서 전자 힘(Brake Force)을 조절하십시오.



여러 가지 설정이 적절하게 구성되면, APPLY 를 클릭한 다음 탈착식 USB 케이블 (1)을 분리합니다. 설정은 페달 세트의 내부 메모리에 저장됩니다. 모든 게임, PC 및 게임 콘솔에서 효과적으로 사용할 수 있습니다.

페달 세트 펌웨어 업데이트

펌웨어를 업데이트하기 위해서 페달 세트는 탈착식 USB 케이블 (1)로 PC에 연결되어야 합니다.

페달 세트에 포함된 펌웨어는 제품 개선을 고려한 최신 버전으로 업데이트할 수 있습니다.

펌웨어 버전은 교정 소프트웨어의 왼쪽 아래에 표시됩니다.

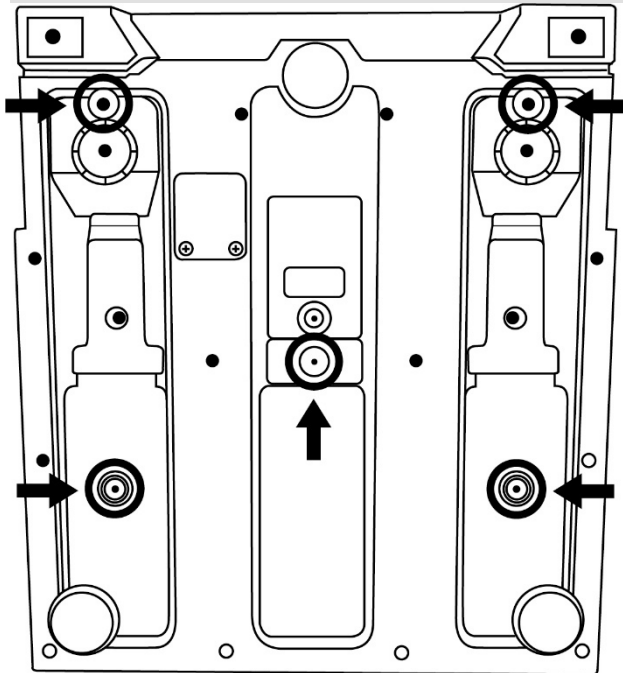
PC에서 페달 세트 펌웨어를 업데이트하려면 <https://support.thrustmaster.com> 사이트를 방문하여, **스티어링 핸들 / T-LCM Pedals**을 클릭한 다음 **펌웨어**를 선택하고 다운로드 및 설치 지침 및 절차를 따르십시오.

지지대 또는 콕핏에 페달 세트 부착하기

페달 세트는 베이스 아래에 있는 5개의 M6형 나사를 사용하여 여러 가지 호환할 수 있는 지지대(별도 판매)에 부착할 수 있습니다. 부착하려면, 최소 2개의 M6 나사(미포함)를 지지 선반을 통과하여 페달 세트 베이스의 아래에 있는 나사산에 밀어 넣습니다.



중요: M6 나사 길이는 페달 세트의 내부 구성품을 훼손하지 않기 위해 지지대를 두께를 0.47 인치/12mm 를 초과해서는 안 됩니다.



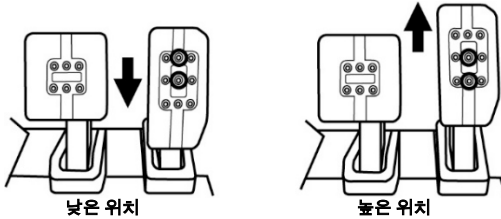
콕핏 및 다른 지지대의 페달 세트의 설치 과정은 <https://support.thrustmaster.com>에서 확인하실 수 있습니다. **스티어링 휠 / T-LCM Pedals** 을 클릭한 다음 **템플릿 - 콕핏 설치**를 선택하십시오.

페달 세트의 기계적 설정

페달 높이 조절하기

- 포함된 2.5mm 앨런 키 (7)를 사용하여, 금속 페달 헤드 (11)와 플라스틱 지지대 (10)에 고정된 나사 2 개를 풀어줍니다.
- 높이 면에서 선호하는 위치를 선택한 다음 나사를 사용하여 모든 것을 함께 다시 고정합니다.

가속 페달 예:



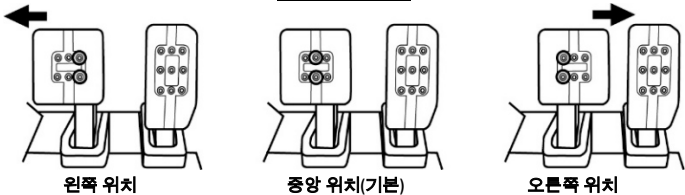
페달에 따른 높이 위치 수:

- 가속 페달: 3 개
- 브레이크 페달: 2 개
- 클러치 페달: 2 개

페달 세 개 사이의 간격 조절하기

- 포함된 2.5mm 앨런 키 (7)를 사용하여, 금속 페달 헤드 (11) 및 플라스틱 지지대 (10)에 고정된 나사 2 개를 풀어줍니다.
- 선호하는 위치(왼쪽, 중앙 또는 오른쪽)를 선택한 다음 나사를 사용하여 모든 것을 함께 다시 고정합니다.

브레이크 페달 예:



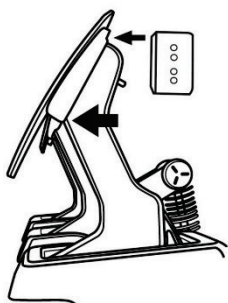
페달에 따른 간격 위치 수:

- 가속 페달: 3 개
- 브레이크 페달: 3 개
- 클러치 페달: 3 개

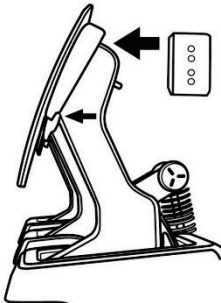
페달 경사 조절하기

- 포함된 2.5mm 앨런 키 (7)를 사용하여, 금속 페달 헤드 (11) 및 플라스틱 지지대 (10)에 고정된 나사 2개를 풀어줍니다.
- 다음 플라스틱 페달 헤드 지지대 (10)를 180°를 회전(또는 교체)한 다음 나사를 사용하여 모든 것을 함께 고정합니다.

가속 페달 예:



덜 경사진 위치



더 경사진 위치

(기본)



수직 위치

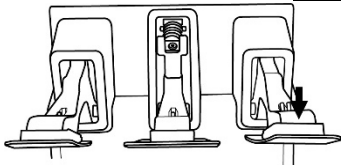
페달에 따른 경사 위치 수:

- 가속 페달: 3 개
- 브레이크 페달: 3 개
- 클러치 페달: 3 개

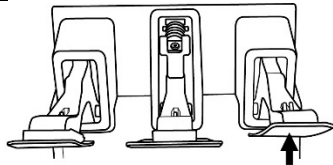
페달 배열 조절하기

- 플라스틱 페달 헤드 지지대 (10)를 설치하여 페달을 앞으로 움직입니다.
- 플라스틱 페달 헤드 지지대 (10)를 제거하여 페달을 뒤로 움직입니다.

가속 페달 예:



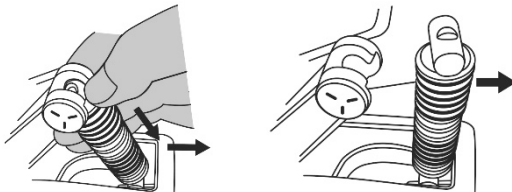
전방 위치 (기본)



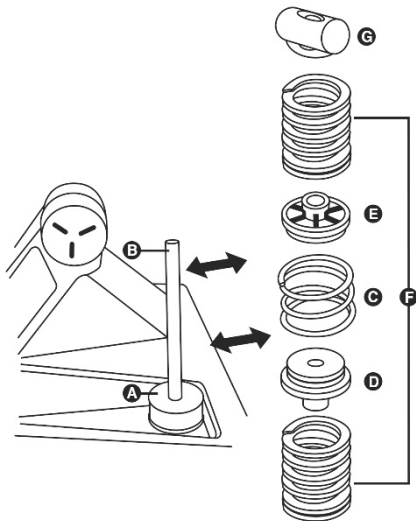
후방 위치

브레이크 페달 저항 변경하기

- 페달 세트를 PC 또는 게임 콘솔에서 분리하고 상부의 고정 헤드 (G)(페달 뒤에 위치)의 와셔를 아래로 밀어줍니다. 그런 다음 이 부품을 뒤로 당겨 금속 암에서 분리해줍니다.



- 지지대 (B)에서 여러 가지 요소를 제거합니다.



A Load Cell 역각 센서

⚠ 지지대에서 절대 분리하지 않습니다!

B 기둥처럼 세우는 스프링용 지지대

C 중앙에 위치한 4 개의 나선형이 있는 크롬 도금된 프리스트레싱 스프링

D 고무 스페이서

E 플라스틱 스페이서

F 7 개의 나선형이 있는 메인 스프링 (F10, F15, F20, F30)

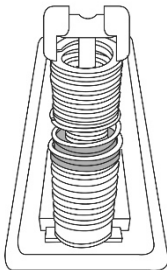
G 와셔가 있는 상부 고정 헤드

브레이크 페달 저항은 메인 F 스프링을 교체하거나 결합하여 조절할 수 있습니다:

F 스프링 색상	스프링 저항
흰색 (1 개 포함)	F10
회색 (1 개 포함)	F15
검은색 (1 개 포함)	F20
빨간색 (2 개 포함)	F30

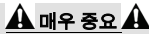
- 사용자가 선택(적절한 스페이스와 함께)한 여러 가지 요소 및 메인 스프링(F10, F15, F20 또는 F30)의 위치를 지지대에서 바꿔줍니다.

예	저항
흰색 F10 스프링 1 개 + 회색 F15 스프링 1 개	약한 저항
회색 F15 스프링 1 개 + 검은색 F20 스프링 1 개 (기본값으로 설치)	중간 저항
빨간색 F30 스프링 2 개	강한 저항



사용자에게 적합한 저항 수준을 찾기 위해서 다른 스프링을 결합하고 테스트하는 것(다양한 조합 가능)을 주저하지 마십시오.

저항을 수정하면, 페달 세트를 탈착식 USB 케이블 (1)로 PC 에 연결한 다음 **교정 소프트웨어로 브레이크 페달 교정을 새롭게 수행하십시오**. 이 새 교정(새 브레이크 페달 저항에 해당)은 자동으로 페달 세트의 내부 메모리에 저장되며 PC 및 게임 콘솔에서 모든 게임에서 효과적으로 사용할 수 있습니다.



매우 중요

공장에서 페달 세트의 기본 교정은 회색 F15 스프링 1 개와 검은색 F20 스프링 1 개(중간 저항)로 수행됩니다. 사용자가 스프링(따라서 브레이크 페달의 저항)을 변경할 경우, 사용자는 PC 에서 교정 소프트웨어를 사용하여 브레이크 페달을 재교정해야 합니다. 교정을 하지 않으면 브레이크 페달은 PC 또는 게임 콘솔에서 적절한 기능을 하지 못할 것입니다.

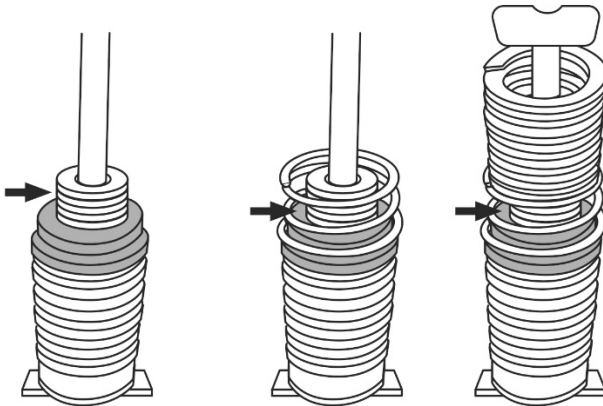
브레이크 페달의 프리스트레싱 효과 감소 또는 제거

선형의 브레이크 저항을 선호하는 사용자는 중앙에 크롬 도금된 프리스트레싱 스프링 (C)의 프리스트레싱 효과를 감소 또는 제거할 수 있습니다.

그렇게 하려면 중앙에 크롬 도금된 프리스트레싱 스프링 (C)의 중간에 있는 지지대에 편평한 와셔(8)를 1 개에서 5 개를 밀어 넣습니다.

비고: 편평한 와셔를 추가할수록 프리스트레싱 효과는 감소하게 됩니다(또는 편평한 와셔 5 개 모두를 사용하면 프리스트레싱 효과는 완전히 제거됩니다).

편평한 와셔 5 개 모두를 사용하여 프리스트레싱 효과 제거의 예:



중요:

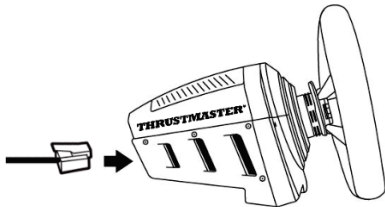
이러한 편평한 와셔의 추가는 브레이크 페달의 기계적인 이동을 감소하는 효과를 가지게 됩니다.

THRUSTMASTER 스티어링 핸들 베이스로 페달 세트 사용하기

= 탈착식 RJ12 케이블 (2) 필요

(탈착식 USB 케이블 (1)은 페달 세트로 사용 중에는 페달 세트에 연결되어서는 안 됩니다.)

호환성 : PC 및 게임 콘솔



⚠ 매우 중요 ⚠

Thrustmaster 스티어링 핸들 베이스(TS-PC Racer, T-GT, T300, T150, TS-XW, TX 및 TMX)에 직접 연결된 페달 세트의 최적 작동을 보장하기 위해 사용자는 <https://support.thrustmaster.com> 에서 최신 버전의 스티어링 핸들의 펌웨어를 업데이트해야 합니다. 이 최신 펌웨어는 T-LCM Pedals 페달 세트의 높은 수준의 정밀도를 최대한 활용할 수 있으며 고정 소프트웨어로 사용자가 만든 개인 설정을 사용할 수 있습니다.

- Thrustmaster 스티어링 핸들 베이스의 펌웨어를 업데이트하면, 탈착식 RJ12 케이블 (2)을 사용하여 스티어링 핸들 베이스 뒤에 있는 페달 세트에 연결합니다.
- 스티어링 핸들을 PC 또는 게임 콘솔에 연결합니다.
- 스티어링 핸들 베이스에 있는 **MODE LED** 가 5 번 깜박이며 **페달 세트가 올바르게 인식되어 최적 작동 상태를 표시합니다.**

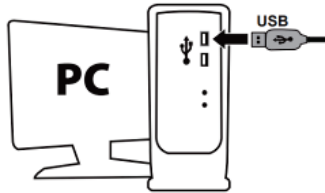
MODE LED 가 위처럼 깜박이지 않는 경우, 이는 스티어링 핸들의 베이스가 최신 펌웨어로 업데이트되지 않았으며, 페달 세트가 고정밀 **T-LCM Pedals** 페달 세트로 인식되지 않고 표준 **T3PA** 또는 **T3PA PRO** 형 페달 세트로 인식되었음을 나타냅니다.

플레이 준비가 완료되었습니다!

비고: 이 구성에서 공식 Thrustmaster 핸들 림은 스티어링 핸들 베이스에 설치되어야 합니다. 설치하지 않으면 페달 세트는 고정밀 **T-LCM Pedals** 페달 세트로 인식되지 않습니다.

비-THRUSTMASTER 스티어링 핸들로 페달 세트 사용하기
 (THRUSTMASTER 스티어링 핸들 베이스와도 사용 가능)
= 탈착식 USB 케이블 (1) 필요

호환성 : PC 전용



- 페달 세트를 탈착식 USB 케이블 (1)을 사용하여 PC 의 USB 포트에 연결한 다음 드라이버 설치를 완료합니다.
- 드라이버 설치를 완료하면 Finish 버튼을 클릭하여 컴퓨터를 다시 시작합니다.

플레이 준비가 완료되었습니다!

페달 세트가 USB 케이블로 연결된 경우 PC 용 참고 사항:

- 페달 세트는 다중 USB 연결 및 별도 페달 세트를 지원하는 게임에서 시중에 나와 있는 모든 스티어링 핸들과 호환할 수 있습니다.
- 게임을 시작하기 전에 항상 **게임 컨트롤러 창(OK 클릭)**과 페달 세트 교정 소프트웨어를 완전히 다운로드하십시오.
- 페달 세트 펌웨어 버전은 교정 소프트웨어의 왼쪽 아래에 표시됩니다.

스티어링 핸들 및 사용하는 플랫폼에 따라 페달 세트를 연결하는 방법의 개요

	페달 세트 연결
THRUSTMASTER 스티어링 핸들이 있는 게임 콘솔	탈착식 RJ12 케이블 (2)
THRUSTMASTER 스티어링 핸들이 있는 PC	탈착식 RJ12 케이블 (2)또는 탈착식 USB 케이블 (1)
비-Thrustmaster 스티어링 핸들이 있는 PC	탈착식 USB 케이블 (1)

경고



안전한 사용을 위해 페달 세트를 절대 맨발 또는 양말만 신은 상태에서 조작하지
마십시오.

THRUSTMASTER®는 신발 없이 페달 세트를 조작함으로써 발생하는 부상에 대해 어떠한
책임도 지지 않습니다.



경고 - 감전

- * 본 제품은 건조한 곳에 보관해야 하며, 먼지나 태양광선에 노출시키지 마십시오.
- * 연결부의 극성을 준수하십시오.
- * 커넥터 및 케이블을 비틀거나 잡아 당기지 마십시오.
- * 본 제품이나 제품의 커넥터에 액체를 흘리지 마십시오.
- * 제품을 단락(합선)시키지 마십시오.
- * 제품을 절대 분해하지 마십시오(사용설명서에 있는 서술 되어 있는 조절 장치 제외).
불에 던지거나 고온에 노출하지 마십시오.



경고 - 반복된 동작으로 인한 부상

페달 세트를 사용한 플레이는 근육 또는 관절 통증의 원인이 될 수 있습니다. 이러한
문제를 예방하려면 다음 사항을 준수하십시오:

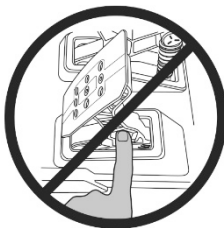
- * 장시간 게임을 피하십시오(매시간 플레이 후에는 10~15분간의 휴식을 취하십시오).
- * 다리 또는 발에 통증이 느껴지면, 즉시 플레이를 중지하고 몇 시간의 휴식을 취한
다음 플레이를 다시 시작하십시오.
- * 게임을 다시 시작할 때 위에 설명한 증상이나 통증이 계속되는 경우에는 게임을
중단한 후 의사와 상담하십시오.



경고 - 게임 도중 페달 세트에 끼임 위험

- * 페달 세트에 어린이가 접근하지 못하게 하십시오.
- * 게임 중 손가락(또는 다른 신체 부위)을 페달 암 위 또는 가까이에 놓지 마십시오.

절대 금지



다양한 팁 및 트릭(설명서에 포함되지 않음)

다양한 팁 및 트릭은 <https://support.thrustmaster.com> 에서 확인하실 수 있습니다.
스티어링 핸들 / T-LCM Pedals 을 클릭하세요.

COPYRIGHT

© 2019 Guillemot Corporation S.A. 모든 권리 보유. Thrustmaster®는 Guillemot Corporation S.A.의 등록상표입니다. PlayStation®는 Sony Interactive Entertainment Inc 의 등록상표입니다. Windows®는 Microsoft Corporation 의 등록상표입니다. 다른 모든 상표는 해당 소유자의 자산입니다. 도면은 법적 구속력이 없습니다. 설명서의 내용, 설계 및 사양은 예고 없이 변경될 수 있으며, 나라마다 서로 다를 수 있습니다. 제조국: 중국

