

**RMB9800/1IN, RMB9600/1IN,
HMB9600/1X, HMB6600/1X**

**Cooker Hood
Hotte de cuisson
Cappa
Odsavač nad sporák
Digestor**

EN	Instruction manual	2
FR	Manuel d'instructions	15
IT	Manuale di istruzioni	29
CZ	Návod k použití	43
SK	Návod na použitie	57
DE	Bedienungshandbuch	71
NL	Handleiding	86
DL	Instrukcja obsługi	102

CONTENT

1. Safety instructions	3
2. Installation	5
3. Start using your cooker hood	8
4. Troubleshooting	9
5. Maintenance and cleaning	10
6. Environment protection	14

SAFETY INSTRUCTIONS

This manual explains the proper installation and use of your cooker hood, please read it carefully before using even if you are familiar with the product. The manual should be kept in a safe place for future reference.

Never to do:

- Do not try to use the cooker hood without the grease filters or if the filters are excessively greasy!
- Do not install above a cooker with a high level grill.
- Do not leave frying pans unattended during use because overheated fats or oils might catch fire.
- Never leave naked flames under the cooker hood.



- If the cooker hood is damaged, do not attempt to use.
- Do not flambé under the cooker hood.
- **CAUTION:** Accessible parts may become hot when used with cooking appliances.
- The minimum distance between the supporting surface for the cooking vessels on the hob and the lowest part of the cooker hood. (When the cooker hood is located above a gas appliance, this distance shall be at least 65 cm)
- The air must not be discharged into a flue that is used for exhausting fumes from appliances burning gas or other fuels.



Always to do:

- Important! Always switch off the electricity supply at the mains during installation and maintenance such as light bulb replacement.
- The cooker hood must be installed in accordance with the installation instructions and all measurements followed.
- All installation work must be carried out by a competent person or qualified electrician.
- Please dispose of the packing material carefully. Children are vulnerable to it.
- Pay attention to the sharp edges inside the cooker hood especially during installation and cleaning.
- When the cooker hood is located above a gas appliance, the minimum distance between the supporting surface for the cooking vessels on the hob and the lowest part of the cooker hood that distance must be:
Gas cookers: 75 cm
Electric cookers: 65 cm
Coal or oil cookers: 75 cm
- Make sure the ducting has no bends sharper than 90 degrees as this will reduce the efficiency of the cooker hood.
- **Warning:** Failure to install the screws or fixing device in accordance with these instructions may result in electrical hazards

Always to do:

- Always put lids on pots and pans when cooking on a gas cooker.
- When in extraction mode, air in the room is being removed by the cooker hood. Please make sure that proper ventilation measures are being observed. The cooker hood removes odours from room but not steam.
- There shall be adequate ventilation of the room when the cooker hood is used at the same time as appliances burning gas or other fuels.
- Cooker hood is for domestic use only.



- If the supply cord is damaged, it must be replaced by the manufacturer, its service agent or similarly qualified persons in order to avoid a hazard.
- This appliance can be used by children aged from 8 years and above and persons with reduced physical, sensory or mental capabilities or lack of experience and knowledge if they have been given supervision or instruction concerning use of the appliance in a safe way and understand the hazards involved. Children shall not play with the appliance. Cleaning and user maintenance shall not be made by children without supervision.



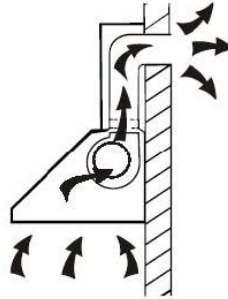
- **Warning:** Before obtaining access to terminals, all supply circuits must be disconnected.

Always to do:

- **Caution:** The appliance and its accessible parts can become hot during operation. Be careful to avoid touching the heating elements. Children younger than 8 years old should stay away unless they are under permanent supervision.
- There shall be adequate ventilation of the room when the cooker hood is used at the same time as appliances burning gas or other fuels.
- There is a fire risk if cleaning is not carried out in accordance with the instructions
- Regulations concerning the discharge of air have to be fulfilled.
- Clean your appliance periodically by following the method given in the chapter MAINTENANCE.
- For safety reason, please use only the same size of fixing or mounting screw which are recommended in this instruction manual.
- Regarding the details about the method and frequency of cleaning, please refer to maintenance and cleaning section in the instruction manual.
- Cleaning and user maintenance shall not be made by children without supervision.
- When the cooker hood and appliances supplied with energy other than electricity are simultaneously in operation, the negative pressure in the room must not exceed 4 Pa (4×10^{-5} bar).

INSTALLATION (VENT OUTSIDE)

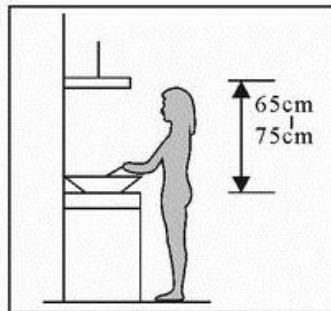
If you have an outlet to the outside, your cooker hood can be connected as below picture by means of an extraction duct (enamel, aluminum, flexible pipe or inflammable material with an interior diameter of 150/120mm)



1. Before installation, turn the unit off and unplug it from the outlet.

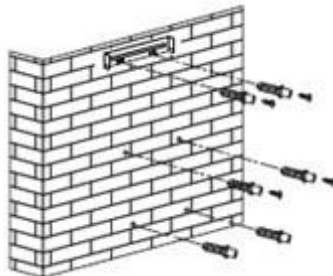


2. The cooker hood should be placed at a distance of 65~75cm above the cooking plane for best effect.

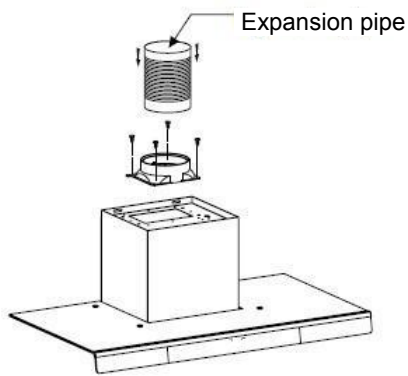


Pic1

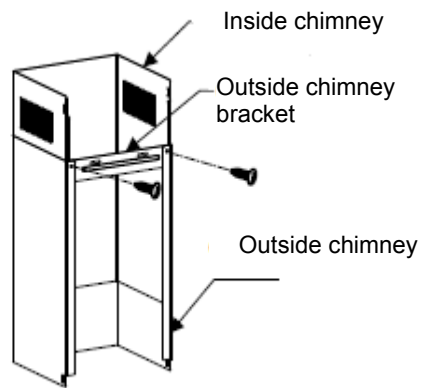
3. Install the hook on a suitable place once the installation height is fixed, and keep it in line. The fixed position of the inside chimney bracket is the place of chimney. See pic 2.



4. Fix the outside chimney bracket on the outside chimney, and be sure that the inside chimney can be adjusted the height in it freely as well as fixing the expansion pipe. Afterwards, install the expansion pipe and chimney on the cooker hood. See Pic 3/Pic4.

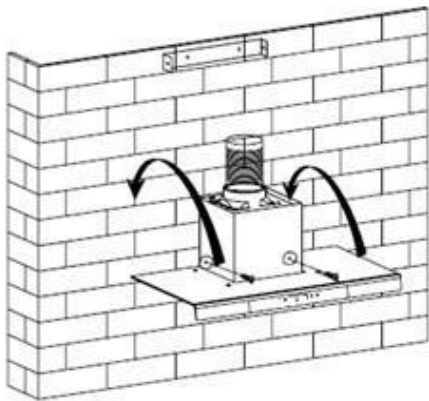


PIC-3

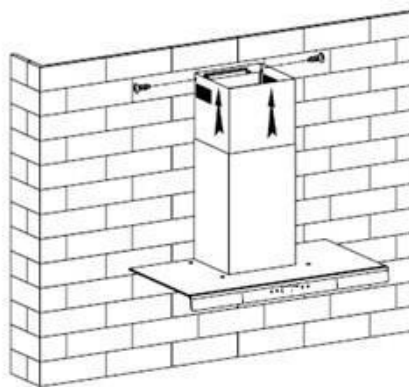


PIC-4

4. Put the cooker hood on the hook. See Pic 5.



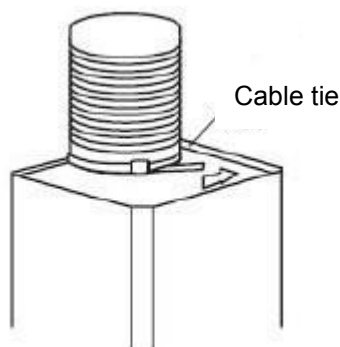
PIC-5



PIC-6

5. Adjust the height of the inside chimney to the position of the inside chimney bracket and fix on it by screw, after adjusting the position, fix the body with safety screw. See Pic 6.

Note: The two safety vents are positioned on the back housing, with diameter of 6mm. Lay the expansion pipe to the wall outlet. Fix the expansion pipe with the cable tie (1) on the wall-outlet if it is aluminium foil pipe.

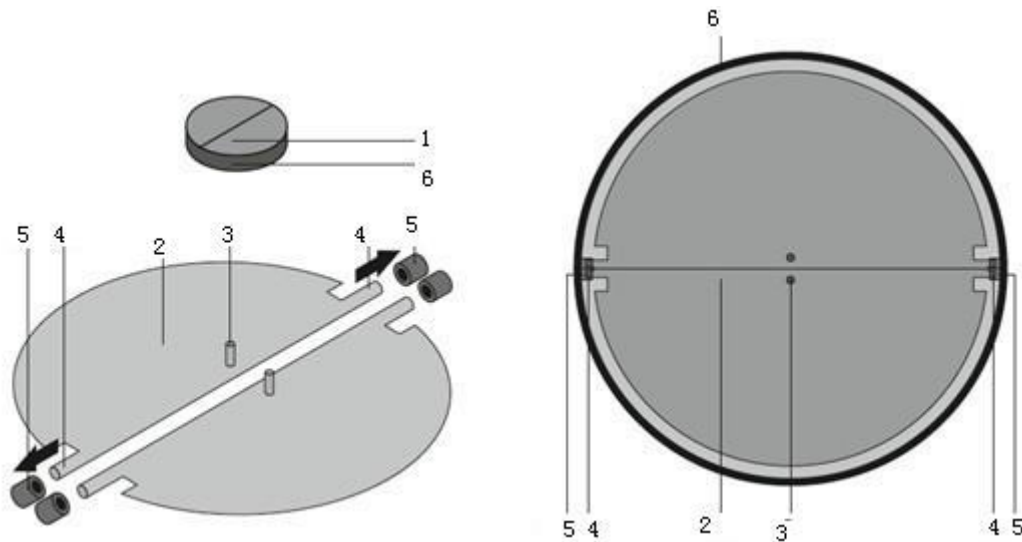


MOUNTING OF THE V-FLAP (Optional)

If the cooker hood does not have an assembled V-flap 1, you should mount the half-parts to the its body.

To mount the V-flap 1 you should:

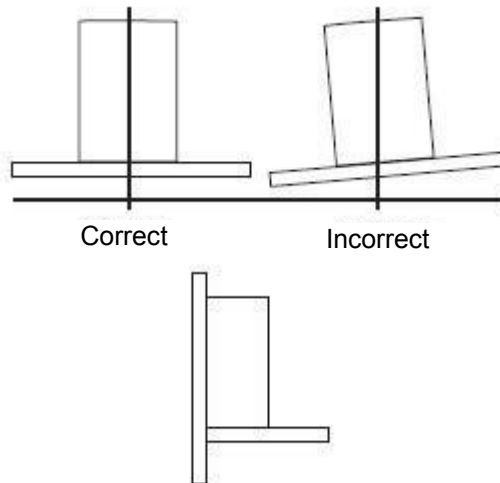
- Mount two half-parts 2 into the body 6
- a pin 3 should be top oriented;
- the axis 4 should be inserted in the holes 5 on body;
- repeat all the operations for the 2nd half-part




HINTS FOR EXHAUST DUCT INSTALLATION

The following rules must be strictly followed to obtain optimal air extraction:

- Keep expansion pipe short and straight.
- Do not reduce the size or restrict expansion pipe.
- When using expansion pipe always install the pipe pulled taut to minimize pressure loss.
- Failure to observe these basic instructions will reduce the performance and increase noise levels of the cooker hood.
- Any installation work must be carried out by a qualified electrician or competent person.
- Do not connect the ducting system of the hood to any existing ventilation system which is being used for any other appliance ,such as warmer tube, gas tube , hot wind tube.
- The angle of the bend of the expansion pipe should not be less than 120°; you must direct the pipe horizontally, or, alternatively, the pipe should go up from the initial point and should be led to an outer wall.
- After the installation ,make sure that the cooker hood is level to avoid grease collection at on end.
- Ensure the expansion pipe selected for installation complies with relevant standards and is fire retardant.

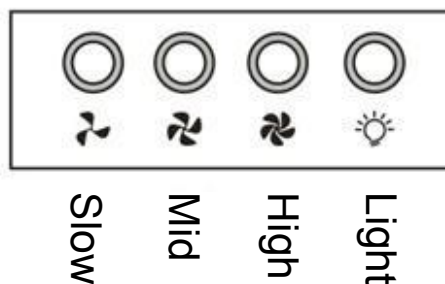


<p>WARNING:</p> 	<ul style="list-style-type: none"> ➤ For safety reason, please use only the same size of fixing or mounting screw which are recommended in this instruction manual. ➤ Failure to install the screws or fixing device in accordance with these instructions may result in electrical hazards.
--	--

Start Using Your Cooker Hood


Electronic button

1. Turn on the power; the buzzer will buzz five times. The sound shows that the appliance is powered.
2. Push the low button, the indicating light 1 on, the buzzer will buzz once, and the motor runs at low speed. Push it again and the motor will stop.
3. Push the middle button, the indicating light 2 on, the buzzer will buzz once, and the motor runs at mid speed. Push it again and the motor will stop
4. Push the high button, the indicating light 3 on, the buzzer will buzz once, and motor runs on high speed. Push it again and the motor will stop
5. Push the light button; the indicating light 4 on, and the two lighting lamps will come on. Push it again and the lamps will turn off, with every push the buzzer will buzz one time.



TROUBLESHOOTING

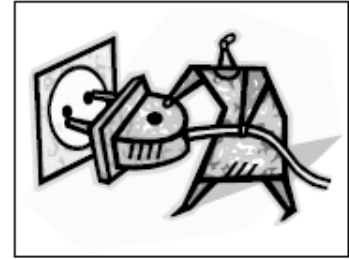
Fault	Possible Cause	Solution
Light on, but motor does not work	Fan switch turned off	Select a fan switch position.
	Fan switch failed	Contact service center.
	Motor failed	Contact service center.
Light does not work, motor does not work	House fuses blown	Reset/Replace fuses.
	Power cord loose or disconnected	Refit cord to power outlet. Switch power outlet on.
Oil leakage	One way valve and the air ventilation entrance are not tightly sealed	Take down the one way valve and seal with sealant.
	Leakage from the connection of U-shaped section and cover	Take U-shaped section down and seal.
Lights not working	Broken/Faulty globes	Replace globes as per this instruction.
Insufficient suction	The distance between the cooker hood and the gas top is too far	Refit the cooker hood to the correct distance.
The Cooker hood inclines	The fixing screw not tight enough	Tighten the hanging screw and make it horizontal.

NOTE:
 Any electrical repairs to this appliance must conform to your local, state and federal laws. Please contact the service centre if in any doubt before undertaking any of the above. Always disconnect the unit from the power source when opening the unit.

MAINTENANCE AND CLEANING

Caution:

- Before maintenance or cleaning is carried out, the cooker hood should be disconnected from the main power supply. Ensure that the cooker hood is switched off at the wall socket and the plug removed.



- External surfaces are susceptible to scratches and abrasions, so please follow the cleaning instructions to ensure the best possible result is achieved without damage.

GENERAL

Cleaning and maintenance should be carried out with the appliance cold especially when cleaning. Avoid leaving alkaline or acid substances (lemon juice, vinegar etc.) on the surfaces.

STAINLESS STEEL

The stainless steel must be cleaned regularly (e.g. weekly) to ensure long life expectancy. Dry with a clean soft cloth. A specialized stainless steel cleaning fluid may be used.

NOTE:

Ensure that wiping is done along with the grain of the stainless steel to prevent any unsightly crisscross scratching patterns from appearing.

CONTROL PANEL SURFACE

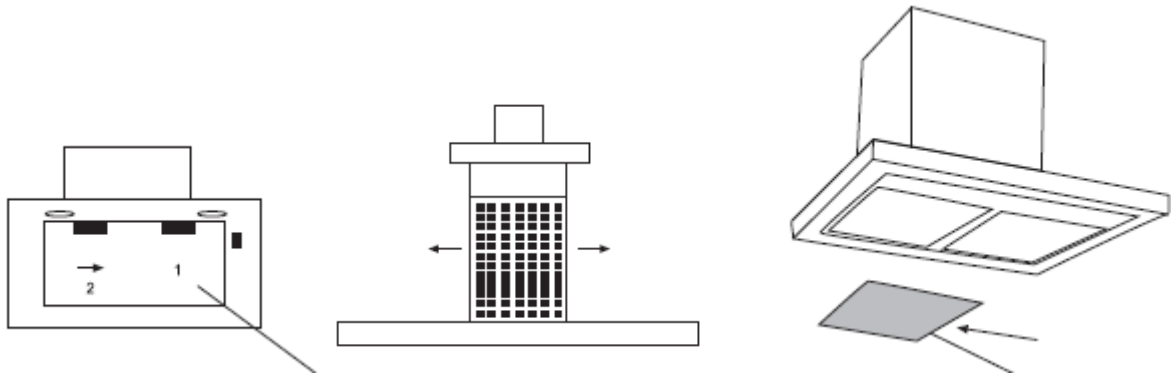
The inlay control panel can be cleaned using warm soapy water. Ensure the cloth is clean and well wrung before cleaning. Use a dry soft cloth to remove any excess moisture left after cleaning.

Important

Using neutral detergents and avoid using harsh cleaning chemicals, strong household detergents or products containing abrasives, as this will affect the appliance appearance and potentially remove any printing of artwork on the control panel and will void manufacturer's warranty.

GREASE MESH FILTERS

The mesh filters can be cleaned either by hand or in the dishwasher. After cleaning ensure that the filters are completely dry before refitting.



- By hand: Soak them for about 3 minute in water with a grease-loosening detergent then brush it gently with a soft brush. Please do not apply too much pressure, avoid to damage it. (Leave to dry naturally out of direct sun light)
- In a dishwasher: Ensure that placement of the filters is made so as to not impede the function of the spray arm. Washing the filters in a dishwasher may cause discoloration of the aluminum inner mesh over time although it will not affect their performance.

Filters should be washed separately to crockery and kitchen utensils. it is advisable not to use rinse aid.

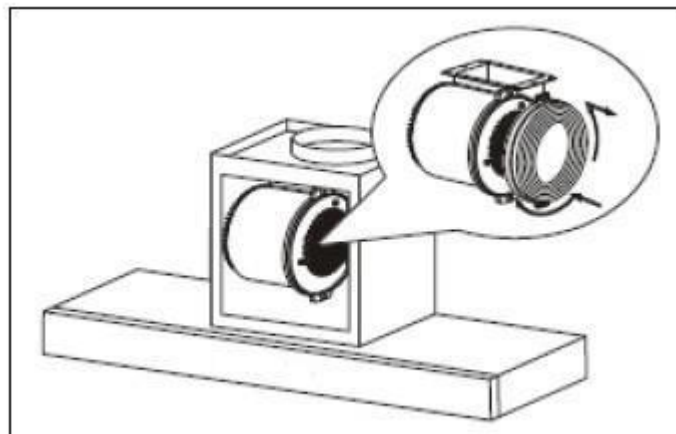
INSTALLING GREASE MESH FILTERS

- To install filters for the following four steps.
 - Angle the filter into slots at the back of the hood.
 - Push the button on handle of the filter.
 - Release the handle once the filter fits into a resting position.
 - Repeat to install all filters.

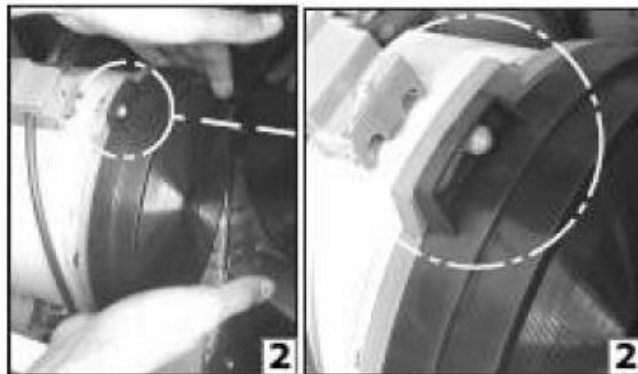
CARBON FILTER-buy separately

Activated carbon filter can be used to trap odors. Normally the activated carbon filter should be changed at three or six months according to your cooking habit. The installation procedure of activated carbon filter is as below.

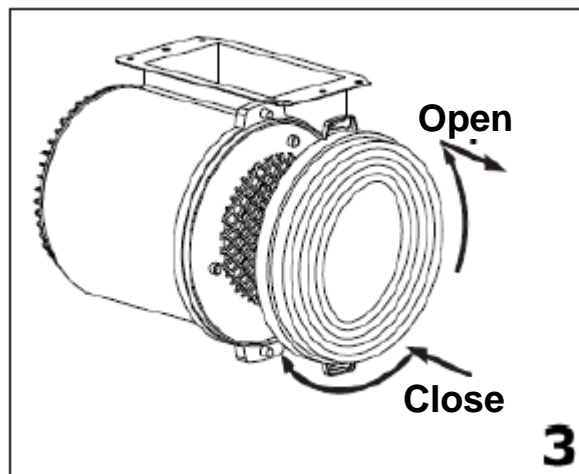
1. Once the motor access panel is removed, you will be able to see the motor.



2. Hook the carbon filter over the pins that are located at the end of the motor.



3. Turn the carbon filter anticlockwise, until you feel it click into place.



※Repeat this process for the second carbon filter. You need to place a carbon filter at either end of the motor.

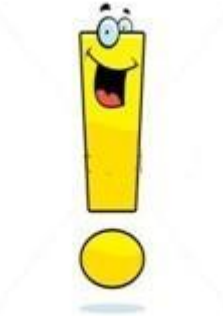
※Refit the motor access panel and fully tighten the screws that you removed previously.

※Refit the lower and upper chimney sections to the main body of the hood.

NOTE:

- Make sure the filter is securely locked. Otherwise, it would loosen and cause dangerous.
- When activated carbon filter attached, the suction power will be lowered.

BULB REPLACEMENT

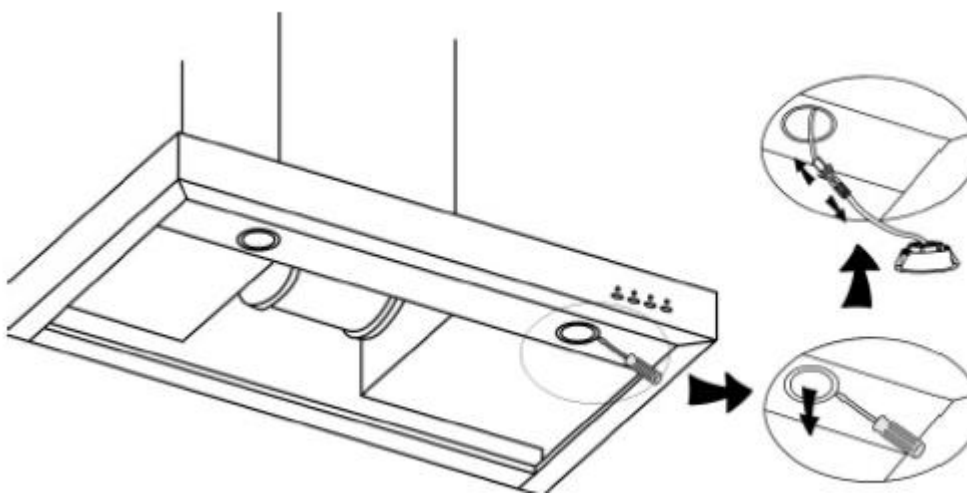
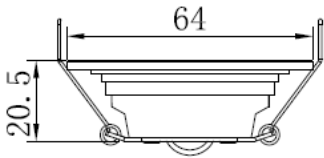
<p>Important :</p> 	<ul style="list-style-type: none">✧ The bulb must be replaced by the manufacturer, its service agent or similarly qualified persons.✧ Always switch off the electricity supply before carrying out any operations on the appliance. When handling bulb, make sure it is completely cool down before any direct contact to hands.✧ When handling globes hold with a cloth or gloves to ensure perspiration does not come in contact with the globe as this can reduce the life of the globe.
--	---

Changing a lamp bulb for high pressure LED

1. Switch the unit off and pull out the plug first.
2. Wait until the light bulb is cooled down before replacement.
3. Take out the baffle filter and use the screw driver to take out the frame as the below pic showed
4. Replace with same type of bulb (LED 2W Max)

Note : Light replacement should carried out by qualified service personnel only.


- ILCOS D code for this lamp is: DBR-2/65-H-64
- LED modules –round lamp
- Max wattage: 2 W
- Voltage range: AC 220-240V
- Dimensions:



Important

When handling globes hold with a cloth or gloves to ensure perspiration does not come in contact with the globe as this can reduce the life of the globe.

ENVIRONMENTAL PROTECTION:

	<p>This product is marked with the symbol on the selective sorting of waste electronic equipment. This means that this product must not be disposed of with household waste but must be supported by a system of selective collection in accordance with Directive 2012/19/EU. It will then be recycled or dismantled to minimize impacts on the environment, electrical and electronic products are potentially dangerous for the environment and human health due to the presence of hazardous substances. For more information, please contact your local or regional authorities.</p>
---	---

NOTE:

The following shows how to reduce total environmental impact (e.g. energy use) of the cooking process).

- (1) Install the cooker hood in a proper place where there is efficient ventilation.
- (2) Clean the cooker hood regularly so as not to block the airway.
- (3) Remember to switch off the cooker hood light after cooking.
- (4) Remember to switch off the cooker hood after cooking.

INFORMATION FOR DISMANTLING

Do not dismantle the appliance in a way which is not shown in the user manual. The appliance could not be dismantled by user. At the end of life, the appliance should not be disposed of with household waste. Check with you Local Authority or retainer for recycling advice.

**RMB9800/1IN, RMB9600/1IN,
HMB9600/1X, HMB6600/1X**

**Hotte de cuisson
Manuel d'instructions**

Sommaire

1. Consignes de sécurité.....	17
2. Installation.....	19
3. Comment utiliser votre hotte de cuisson.....	22
4. Dépannage.....	23
5. Entretien et nettoyage.....	23
6. Protection environnementale.....	28

CONSIGNES DE SÉCURITÉ

Ce manuel indique comment installer votre hotte de cuisson et comment vous en servir. Avant toute utilisation, veuillez le lire attentivement, même si vous connaissez déjà ce produit. Conservez ce manuel dans un endroit sûr, pour pouvoir le consulter par la suite.

Avertissements :

- Ne pas utiliser la hotte sans filtres à graisse ou si les filtres sont trop encrassés !
- Ne pas installer au-dessus d'une cuisinière dotée d'un gril très puissant.
- Ne pas laisser de poêles à frire cuire sans surveillance, car les graisses ou huiles brûlantes peuvent provoquer un incendie.
- Ne pas laisser de flammes nues brûler sous la hotte de cuisson.



- Si la hotte de cuisson est endommagée, il faut renoncer à l'utiliser.
- Ne pas flamber d'aliment sous la hotte de cuisson.
- **ATTENTION** : Les pièces accessibles peuvent être chaudes lorsqu'elles sont utilisées avec des appareils de cuisson.
- Distance minimum entre la surface d'appui des récipients de cuisson sur la plaque et la partie la plus basse de la hotte. (Si la hotte de cuisson est installée au-dessus d'un dispositif fonctionnant au gaz, la distance minimum est 65 cm)
- L'air ne doit pas être évacué dans un conduit d'élimination des fumées d'échappement de dispositifs brûlant du gaz ou d'autres combustibles.



Ne jamais oublier de :

- Important ! Veuillez toujours couper l'alimentation électrique au secteur pendant l'installation ou l'entretien, comme par exemple le remplacement d'une ampoule électrique.
- La hotte de cuisson doit être installée suivant les instructions d'installation et toutes les mesures ci-dessous :
- Toute l'installation doit être prise en charge par une personne compétente ou un électricien professionnel.
- Veillez à l'élimination des matériaux d'emballage. Il peut représenter un danger pour les enfants.
- Faites bien attention aux bords aiguisés à l'intérieur de la hotte, notamment pendant l'installation et le nettoyage.
- Quand la hotte est installée au-dessus d'un appareil à gaz, la distance minimale entre la surface d'appui des récipients de cuisson sur la plaque et la partie la plus basse de la hotte doit être :

Gazinière :	75 cm
Cuisinière électrique :	65 cm
Cuisinière à charbon ou cuiseur à huile :	75 cm
- Assurez-vous que le tuyau n'ait pas de courbure à plus de 90 degrés car ceci diminuerait l'efficacité de la hotte.
- Attention : Le fait de ne pas installer les vis ou le dispositif de fixation conformément à ces instructions peut entraîner des risques électriques.

Ne jamais oublier de :

- Utilisez toujours des couvercles sur les casseroles et poêles quand vous cuisinez sur une gazinière.
- En modalité d'extraction, l'air de la pièce est évacué par la hotte. Assurez-vous que la pièce soit bien aérée. Cette hotte élimine les odeurs de la pièce mais pas la vapeur.
- La pièce doit être correctement ventilée lorsque la hotte est utilisée en même temps que des appareils à gaz ou que des appareils employant d'autres combustibles.
- La hotte est prévue uniquement pour un usage domestique.



- Si le câble d'alimentation est endommagé, il doit être remplacé par le fabricant, son agent d'entretien ou des professionnels de même qualification, afin d'éviter tout risque.
- Cet appareil peut être utilisé par des enfants âgés de 8 ans et plus, par des personnes dont les capacités physiques, sensorielles ou mentales sont réduites ou par des personnes sans expérience ou connaissances spécifiques, si on les a informées sur la manière d'utiliser l'appareil en toute sécurité et qu'elles en ont compris les risques. Les enfants ne doivent pas jouer avec l'appareil. L'entretien et le nettoyage ne doivent pas être effectués par des enfants sans surveillance.



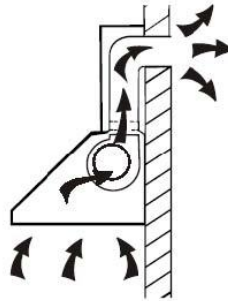
- Attention : Avant d'accéder aux appareils, tous les circuits d'alimentation doivent être coupés.

Ne jamais oublier de :

- **Attention** : L'appareil et ses parties accessibles chauffent pendant l'utilisation. Faites attention de ne pas toucher les éléments chauds. Les enfants de moins de 8 ans doivent se tenir éloignés, à moins qu'ils ne soient sous surveillance permanente.
- Il faut une ventilation adéquate de la pièce lorsque la hotte est utilisée en même temps que des dispositifs fonctionnant au gaz ou à d'autres combustibles.
- Il existe un risque d'incendie si le nettoyage n'est pas réalisé conformément aux instructions.
- La réglementation en matière d'évacuation de l'air doit être respectée.
- Nettoyez régulièrement votre appareil en suivant la méthode indiquée au chapitre ENTRETIEN.
- Pour des raisons de sécurité, n'utilisez que des vis de fixation ou de montage de la taille indiquée dans ce manuel d'instructions.
- Pour des explications concernant le mode de nettoyage, veuillez consulter le chapitre entretien et nettoyage de ce manuel d'instructions.
- L'entretien et le nettoyage ne doivent pas être effectués par des enfants sans surveillance.
- Lorsque la hotte électrique fonctionne en même temps que des dispositifs alimentés par d'autres énergies que l'électricité, la pression négative de la pièce ne doit pas dépasser 4 Pa (4 x 10⁻⁵ bars).

INSTALLATION (ÉVACUATION EXTERNE)

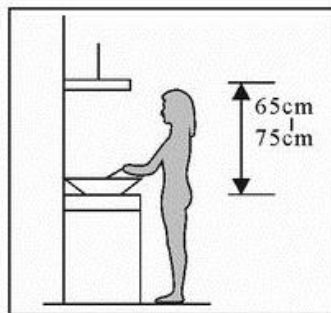
Si vous disposez d'une sortie vers l'extérieur, votre hotte peut être connectée comme sur l'image ci-dessous par un conduit d'extraction (émail, aluminium, gaine souple ou matériau inflammable avec diamètre intérieur de 150/120mm)



1. Avant l'installation, éteignez l'appareil et débranchez-le de la prise de courant.

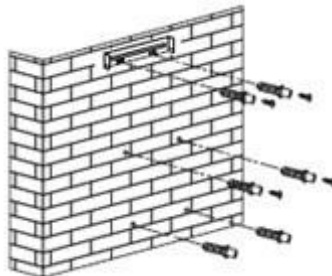


2. Pour une meilleure prestation, la hotte doit être placée à une distance de 65 à 75cm au-dessus de la plaque de cuisson.

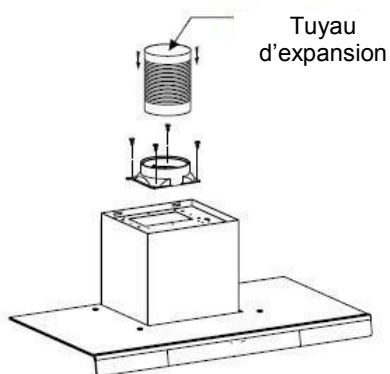


Pic 1

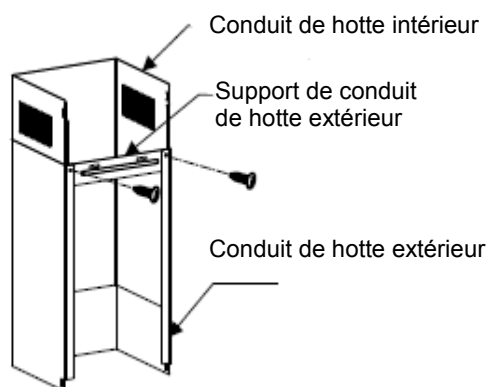
3. Une fois déterminée la hauteur de l'installation, placez le crochet dans la position appropriée, et bien aligné. La position fixe du support interne du conduit de hotte est l'emplacement du conduit de hotte. Voir ill. 2.



4. Fixez le support externe du conduit de hotte et assurez-vous que l'intérieur du conduit de hotte est réglable en hauteur, tout comme la fixation du tuyau d'expansion. Ensuite, installez le tuyau d'expansion et le conduit de hotte sur la hotte de cuisson. Voir ill. 3/ill. 4.

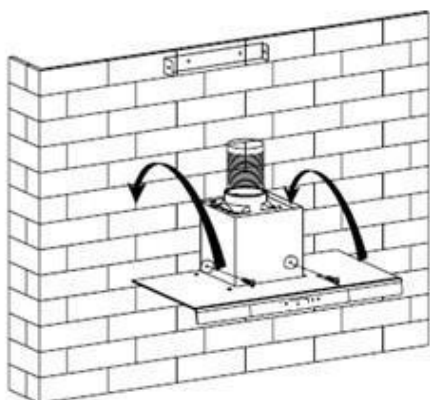


PIC-3

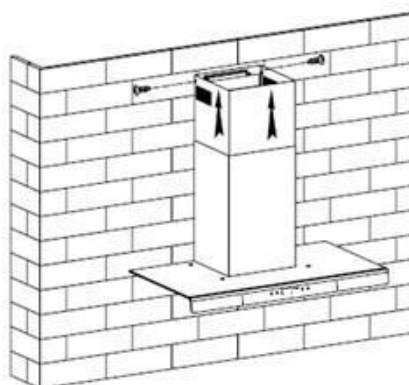


PIC-4

4. Posez la hotte sur le crochet. Voir ill. 5.



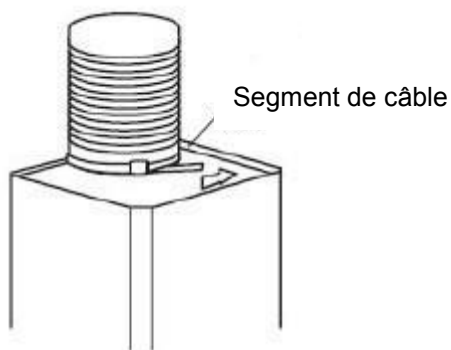
PIC-5



PIC-6

5. Ajuster la hauteur du conduit de hotte intérieur sur le support de conduit de hotte intérieur et fixez avec des vis ; après avoir réglé la position, fixez l'élément avec des vis de sécurité. Voir ill. 6.

Remarque : Les deux événements de sécurité sont positionnés à l'arrière du boîtier, avec un diamètre de 6mm. Posez le tuyau d'expansion au niveau de la sortie dans le mur. Fixez le tuyau d'expansion sur la sortie murale avec le segment de câble (1) si c'est un tuyau en aluminium.

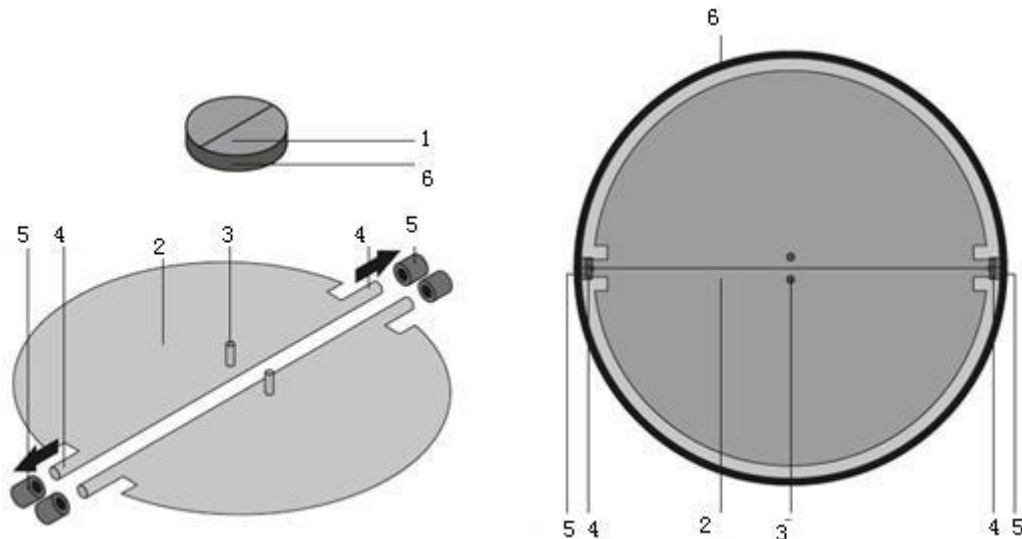


MONTAGE DU RABAT EN V (Option)

Si la hotte de cuisson n'est pas dotée d'un rabat en V 1, vous pouvez en monter les rabats successivement.

Pour le montage du rabat en V, voilà comment procéder :

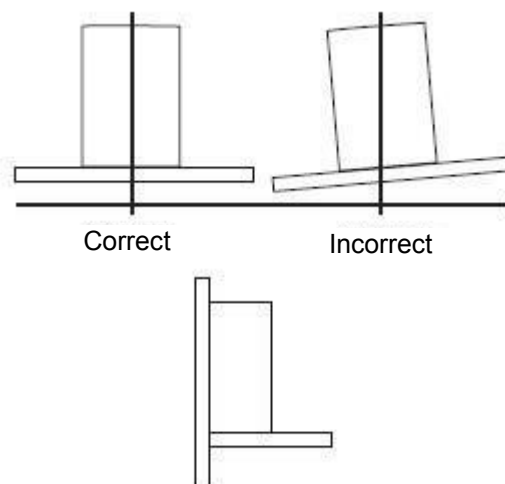
- Montez les deux rabats dans la pièce 6
- orienter la goupille 3 vers le haut ;
- l'axe 4 doit être inséré des les trous 5 de la pièce ;
- répétez les mêmes opérations pour la deuxième moitié de rabat




CONSEILS POUR L'INSTALLATION DU CONDUIT D'ÉVACUATION

Les règles suivantes doivent être appliquées à la lettre pour obtenir une évacuation optimale de l'air :

- Gardez le tuyau d'expansion court et droit.
- Ne réduisez pas la taille du tuyau d'expansion.
- Si vous utilisez un tuyau d'expansion, installez toujours ce tuyau en l'étirant bien pour minimiser la perte de pression.
- Le non-respect de ces instructions de base diminue les performances et augmente la nuisance sonore de la hotte.
- L'installation doit être confiée à un électricien professionnel ou à une personne compétente.
- Ne connectez pas le système d'évacuation de la hotte à un système de ventilation déjà en place, utilisé pour un autre appareil, tel qu'un tuyau de réchaud, un tuyau de gaz ou un tuyau à air chaud.
- L'angle de courbure du conduit d'expansion ne doit pas être inférieur à 120° ; vous devez diriger le conduit horizontalement ou, en alternative, le conduit doit monter depuis le point initial et doit être dirigé jusqu'à la sortie dans la mur.
- Après l'installation, assurez-vous que la hotte est de niveau pour éviter l'accumulation de graisse en fin de parcours.
- Assurez-vous que le tuyau d'expansion utilisé pour l'installation est conforme aux normes en vigueur et ignifuge.

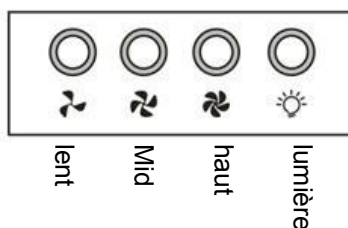


<p>AVERTISSEMENT : </p>	<ul style="list-style-type: none"> ➤ Pour des raisons de sécurité, utilisez uniquement des vis de fixation ou de montage de la taille recommandée dans ce manuel d'instructions. ➤ Le fait de ne pas installer les vis ou le dispositif de fixation conformément à ces instructions peut entraîner des risques électriques.
--	---

Comment utiliser votre hotte de cuisson

Touche électronique

1. Allumez l'appareil, le buzzer vibrera 5 fois. Le son émis indique que l'appareil est bien branché.
2. Appuyez sur la touche vitesse lente (Slow), le rétroéclairage 1 s'allume, le buzzer vibre une fois et le moteur fonctionne à vitesse lente. Appuyez de nouveau et le moteur s'éteint.
3. Appuyez sur la touche vitesse moyenne (Mid), le rétroéclairage 2 s'allume, le buzzer vibre une fois et le moteur fonctionne à vitesse moyenne. Appuyez de nouveau et le moteur s'éteint.
4. Appuyez sur la touche grande vitesse (High), le rétroéclairage 3 s'allume, le buzzer vibre une fois et le moteur fonctionne à grande vitesse. Appuyez de nouveau et le moteur s'éteint.
5. Appuyez sur la touche Light (Éclairage); le rétroéclairage 4 s'allume et les deux lampes d'éclairage s'allument. Appuyez de nouveau et les lampes s'éteignent, à chaque pression le buzzer vibre une fois.



DÉPANNAGE

Problème	Cause possible	Solution
Lumière allumée, mais le moteur ne fonctionne pas.	Le commutateur de ventilation est désactivé.	Sélectionnez une position active du commutateur de ventilation.
	Le commutateur de ventilation est endommagé.	Contactez le service après-vente.
	Le moteur est endommagé.	Contactez le service après-vente.
L'éclairage ne fonctionne pas, le moteur ne fonctionne pas.	Les fusibles ont grillé.	Réinitialisez/Remplacez les fusibles.
	Câble d'alimentation mal branché ou déconnecté.	Repositionnez le câble dans la prise d'alimentation. Connectez la prise d'alimentation.
Fuite d'huile.	Le clapet de non-retour et l'entrée de la ventilation ne sont pas correctement scellés.	Démontez le clapet de non-retour et scellez avec du mastic.
	Fuite du raccordement entre la section en forme de U et le boîtier.	Démontez la section en forme de U et appliquez du mastic.
Les lumières ne fonctionnent pas.	Lampes grillées ou défectueuses.	Remplacez les lampes selon ces instructions.
Aspiration insuffisante.	La distance entre la hotte et la plaque de cuisson est trop grande.	Repositionnez la hotte à la bonne distance.
La hotte de cuisson penche.	Les vis de fixation ne sont pas correctement serrées.	Serrez la vis du support d'accrochage en position parfaitement horizontale.

REMARQUE :



Toute réparation de votre appareil doit être conforme aux lois locales, nationales ou fédérales. Veuillez contacter le service après-vente si vous avez des doutes avant d'opérer selon les instructions ci-dessus. L'appareil doit toujours être déconnecté du secteur d'alimentation avant d'être ouvert.

ENTRETIEN ET NETTOYAGE

Attention :

- Avant toute opération d'entretien ou de nettoyage, la hotte doit être déconnectée du secteur d'alimentation. Vérifiez que la hotte est déconnectée de la prise murale et que la fiche de la prise est débranchée.



- Les surfaces externes sont sensibles aux rayures et aux abrasions : veuillez respecter les consignes de nettoyage, afin d'obtenir le meilleur résultat possible, sans rien endommager.

CONSIGNES GÉNÉRALES

Le nettoyage et l'entretien doivent être mis en œuvre quand l'appareil est refroidi, tout particulièrement pour le nettoyage. Évitez de passer des substances alcalines ou acides (jus de citron, vinaigre, etc.) sur les surfaces.

ACIER INOXYDABLE

L'acier inoxydable doit régulièrement être nettoyé (par ex. toutes les semaines) pour s'assurer une longue durée de vie. Essuyez avec un chiffon doux propre. On peut utiliser un produit d'entretien spécialement conçu pour l'acier inoxydable.

REMARQUE :

Prenez soin d'essuyer avec un chiffon qui n'endommage pas la surface de l'acier inoxydable, pour éviter l'apparition de motifs rayés croisés disgracieux.

SURFACE DU PANNEAU DE COMMANDE

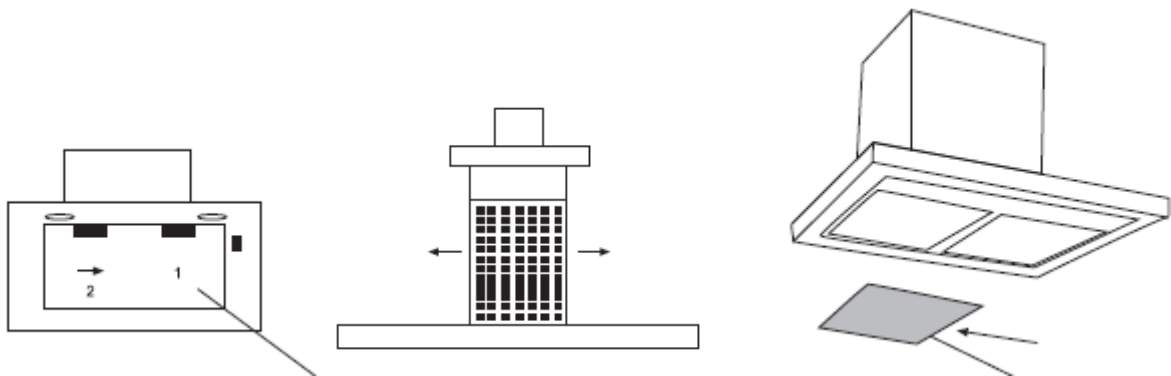
Le panneau de commande incorporé peut-être nettoyé avec de l'eau savonneuse. Assurez-vous que le chiffon est propre et bien essoré avant de nettoyer. Utilisez un chiffon doux et sec pour éliminer toute trace d'humidité après avoir nettoyé.

Important

Utilisez des détergents neutres et évitez les produits de nettoyage chimiques agressifs, les détergents ménagers puissants ou les produits contenant un abrasif, car cela pourrait nuire à l'apparence de l'appareil et effacer les motifs ou écritures imprimés sur le panneau de commande et annuler la garantie du fabricant.

FILTRES À GRAISSE EN CAISSETTE MÉTALLIQUE

Les filtres à graisse en cassette métallique peuvent être lavés à la main ou au lave-vaisselle. Une fois lavés, assurez-vous que les filtres sont complètement secs avant de les remettre en place.



- À la main : Plongez-les environ 3 minutes dans une émulsion d'eau tiède et de détergent dégraissant, puis brossez doucement avec une brosse douce. Veuillez ne pas exercer trop de pression, pour éviter de les endommager. (Laissez-les sécher naturellement à l'abri de la lumière directe du soleil)

- Au lave-vaisselle : Assurez-vous de positionner les filtres de manière à ne pas empêcher le bras pulvérisateur de fonctionner. Le lavage des filtres dans le lave-vaisselle peut entraîner la décoloration prématurée des mailles intérieures en aluminium, sans avoir d'impact sur leurs performances.

Les filtres doivent être nettoyés séparément de la vaisselle et des ustensiles de cuisine. Il est conseillé de ne pas utiliser de produit de rinçage.

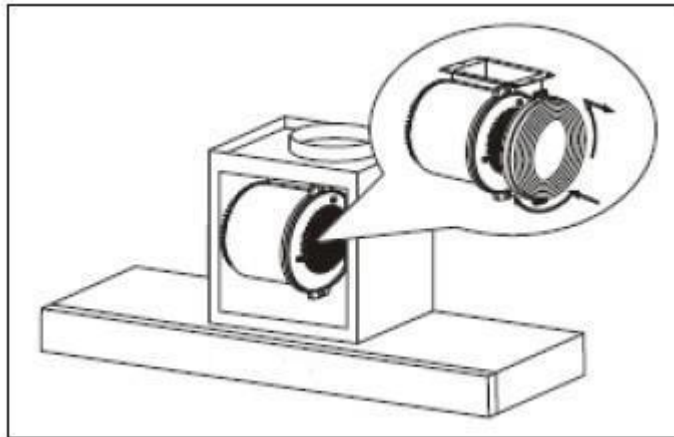
INSTALLATION DES FILTRES À GRAISSE EN CAISSETTE MÉTALLIQUE

- Installer des filtres selon les quatre étapes suivantes.
- Placez un filtre dans les fentes à l'arrière de la hotte.
- Appuyez sur le bouton de la poignée du filtre.
- Relâchez la prise quand le filtre est dans sa position définitive.
- Répétez la même opération pour installer tous les filtres.

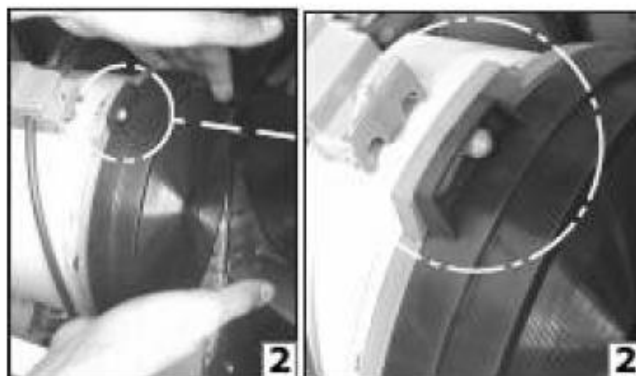
FILTRE À CHARBON acheté séparément

Les filtres à charbon actif sont utilisés pour absorber les odeurs. Les filtres à charbon actif doivent normalement être changés tous les trois ou six mois, selon le type d'utilisation de la cuisine. La procédure d'installation des filtres à charbon actif est la suivante.

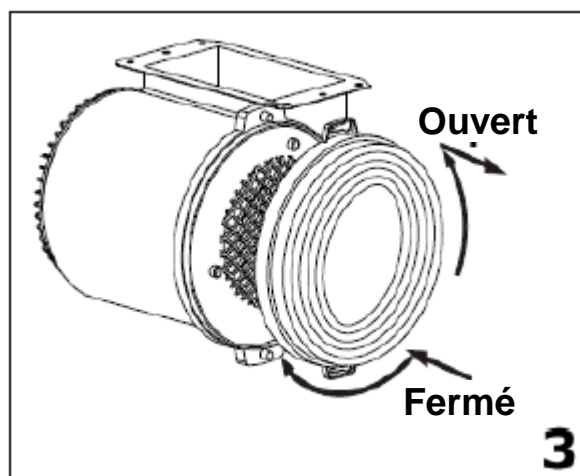
1. Retirez le panneau d'accès au moteur.



2. Accrochez le filtre à charbon actif sur les broches situées à l'extrémité du moteur.



3. Tournez le filtre à charbon actif dans le sens contraire des aiguilles d'une montre, jusqu'à ce qu'il s'enclenche.



※Répétez cette procédure pour le second filtre à charbon actif. Vous devez placer un filtre à charbon actif à chaque extrémité du moteur.

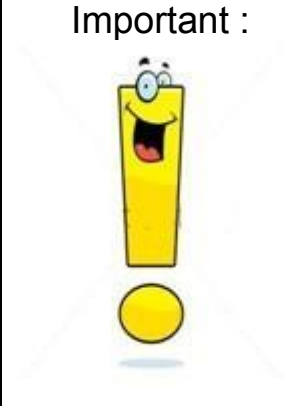
※Repositionnez le panneau d'accès au moteur et serrez les vis que vous aviez auparavant desserrées.

※Repositionnez les sections haute et basse du conduit de hotte au corps principal de la hotte.

REMARQUE :

- Assurez-vous que le filtre soit correctement enclenché. Dans le cas contraire, il pourrait tomber et endommager le bloc.
- Quand le filtre à charbon actif est enclenché, la force d'aspiration baisse.

REEMPLACEMENT D'UNE LAMPE

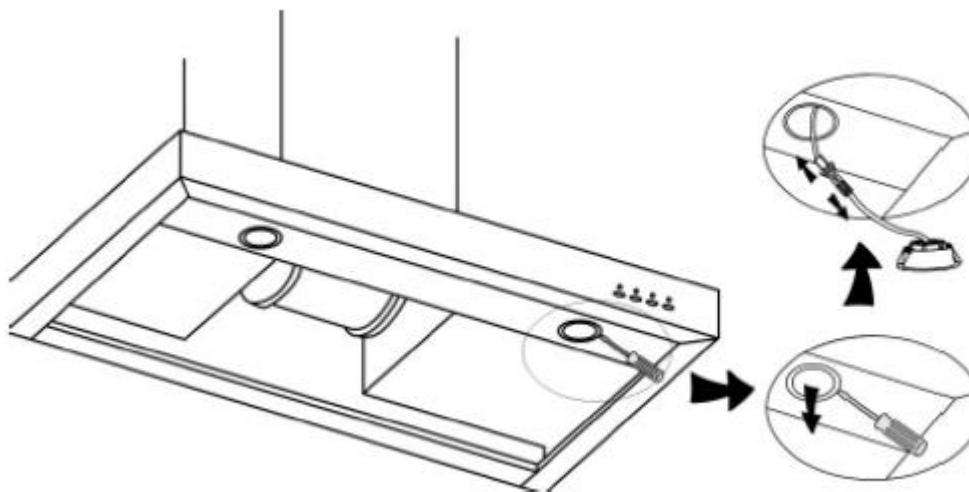
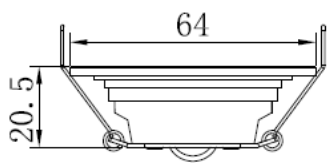
<p>Important :</p> 	<ul style="list-style-type: none">✧ La lampe doit être remplacée par le fabricant, un agent après-vente ou toute autre personne qualifiée.✧ Coupez l'alimentation électrique avant toute intervention sur l'appareil. Avant de prendre la lampe directement dans vos mains, assurez-vous qu'elle soit complètement refroidie.✧ Pour la manipulation des lampes, utilisez un chiffon ou portez des gants, pour éviter tout contact direct des mains avec les lampes, ce qui réduirait leur durée de vie.
--	---

Remplacement d'une lampe pour LED haute pression

1. Mettez l'unité hors tension et commencez par débrancher la prise.
2. Attendez que la lampe soit refroidie avant de la remplacer.
3. Retirez le filtre à tamis et utilisez le tournevis pour extraire le support comme illustré ci-dessous.
4. Remplacez la lampe par une autre lampe du même type (LED 2W max).

Remarque: Le remplacement de la lampe doit être pris en charge uniquement par du personnel de service après-vente.


- Le code ILCOS D de cette lampe est : DBR-2/65-H-64
- Modules LED – ampoule ronde
- Puissance max (Watt) : 2 W
- Plage de tension : AC 220-240V
- Dimensions :



Important

Pour la manipulation des lampes, utilisez un chiffon ou portez des gants, pour éviter tout contact directe des mains avec les lampes, ce qui réduirait leur durée de vie.

PROTECTION ENVIRONNEMENTALE :

	<p>Ce produit se distingue par le symbole du tri sélectif des équipements électroniques. Cela signifie que ce produit ne doit pas être éliminé en tant que déchet ménager, mais qu'il doit être traité selon un système de collecte sélective, conformément à la directive 2012/19/CE. Il sera ensuite recyclé ou démantelé pour minimiser son impact environnemental ; les produits électriques et électroniques sont potentiellement dangereux pour l'environnement et la santé humaine en raison de substances toxiques. Pour plus d'informations, veuillez contacter les autorités locales ou régionales de votre secteur.</p>
---	--

REMARQUE :

Ce qui suit montre comment réduire l'impact total sur l'environnement (par exemple, l'utilisation d'énergie) par le processus de cuisson.

- (1) Installez la hotte de cuisson dans un emplacement approprié, là où la ventilation est efficace.
- (2) Nettoyez régulièrement la hotte pour ne pas compromettre le passage de l'air.
- (3) N'oubliez pas d'éteindre la lumière de la hotte après avoir cuisiné.
- (4) N'oubliez pas d'éteindre la hotte après avoir cuisiné.

INFORMATION SUR LE DÉMANTÈLEMENT

Ne démontez pas l'appareil d'une façon autre que celle qui est montrée dans le manuel de l'utilisateur. L'appareil ne doit pas être démantelé par l'utilisateur. À la fin de son cycle de vie, l'appareil ne doit pas être mis au rebut avec les ordures ménagères. Adressez-vous aux autorités locales ou à un mandataire pour des conseils sur le recyclage.

**RMB9800/1IN, RMB9600/1IN,
HMB9600/1X, HMB6600/1X**

**Cappa
Manuale di istruzioni**

Indice

1. Istruzioni di sicurezza	31
2. Installazione	33
3. Inizio dell'utilizzo della cappa	36
4. Guida all'individuazione dei problemi	37
5. Manutenzione e pulizia	38
6. Protezione ambientale	42

ISTRUZIONI DI SICUREZZA

Questo manuale spiega il corretto montaggio e l'utilizzo della cappa, si prega di leggerlo attentamente anche se siete già abituati all'utilizzo di questo prodotto. Tenere il manuale a portata di mano per consultarlo all'occorrenza.

Procedure da evitare:

- Non cercare di utilizzare la cappa senza i filtri per grasso oppure se i filtri sono eccessivamente sporchi di grasso!
- Non montare la cappa sopra ad un fornello con grill molto alto.
- Non lasciare pentole con olio bollente incustodite durante l'utilizzo in quanto i grassi o gli oli surriscaldati possono incendiarsi.
- Non lasciare mai fiamme libere sotto la cappa.



- Se la cappa è danneggiata, non cercare di utilizzarla.
- Non effettuare cotture flambé sotto la cappa.
- **ATTENZIONE:** Durante l'uso degli elettrodomestici di cottura, le parti accessibili possono essere molto calde.
- La distanza minima tra la superficie di supporto dei recipienti sul piano di cottura e la parte inferiore della cappa aspirante, quando la cappa aspirante è posta sopra un elettrodomestico a gas, deve essere almeno di 65 cm.
- L'aria non deve essere scaricata in un camino per i fumi provenienti da elettrodomestici con combustione di gas o di altri combustibili.



Procedure da effettuare sempre:

- **Importante!** Staccare sempre l'alimentazione elettrica dalla rete durante le attività di installazione e manutenzione, quale ad esempio la sostituzione delle lampadine.
- La cappa deve essere montata in accordo con le istruzioni di installazione e rispettando tutte le misure indicate.
- Tutti i lavori di installazione devono essere effettuati da operatori competenti o da elettricisti qualificati.
- Si prega di smaltire in modo appropriato il materiale di imballaggio. È pericoloso per i bambini.
- Prestare attenzione agli spigoli vivi all'interno della cappa, in particolare durante l'installazione e la pulizia.
- Quando la cappa aspirante si trova al di sopra di un elettrodomestico a gas, la distanza minima tra la superficie di supporto dei recipienti di cottura sul piano di cottura e la parte inferiore della cappa aspirante deve essere la seguente:

Fornelli a gas:	75 cm
Fornelli elettrici:	65 cm
Fornelli a carbone o gasolio:	75 cm
- Accertarsi che le tubazioni non abbiano curve più strette di 90 gradi in quanto ciò riduce la resa della cappa.
- **Attenzione:** Se le viti o il dispositivo di fissaggio non sono installati seguendo queste istruzioni potrebbero verificarsi rischi elettrici

Procedure da effettuare sempre:

- Mettere sempre i coperchi su pentole e tegami quando si cuoce su un fornello a gas.
- In modalità di estrazione, l'aria all'interno dell'ambiente viene aspirata dalla cappa. Accertarsi che siano adottate misure adeguate per la ventilazione. La cappa toglie gli odori dall'ambiente ma non il vapore.
- Deve esserci un'adeguata ventilazione dell'ambiente quando si utilizza la cappa aspirante insieme ad elettrodomestici con combustione di gas o di altri combustibili.
- La cappa è progettata per un uso esclusivamente domestico.



- Se il cavo di alimentazione dell'elettrodomestico dovesse essere danneggiato, farlo sostituire dal produttore, dal suo servizio tecnico o da un tecnico qualificato, per evitare rischi.
- L'elettrodomestico può essere utilizzato da bambini di età superiore a 8 anni e da persone con ridotte capacità fisiche, sensoriali o mentali, oppure prive di esperienza e conoscenza, se supervisionate o istruite riguardo all'uso dell'elettrodomestico in sicurezza, e se comprendono i rischi che derivano dall'uso dello stesso. I bambini non devono giocare con l'elettrodomestico. La pulizia e la manutenzione da parte dell'utente non possono essere effettuate da bambini senza supervisione.



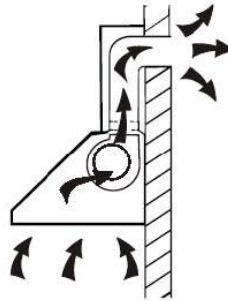
- **Attenzione:** Prima di accedere ai morsetti, tutti i circuiti di alimentazione devono essere staccati.

Procedure da effettuare sempre:

- **ATTENZIONE:** L'apparecchio e le sue parti accessibili possono diventare calde durante l'uso. Fare attenzione a non toccare le parti calde. I bambini di età inferiore a 8 anni devono sempre rimanere a distanza se non costantemente supervisionati.
- Deve esserci un'adeguata ventilazione dell'ambiente quando si utilizza la cappa aspirante insieme ad elettrodomestici con combustione di gas o di altri combustibili.
- Se la pulizia non viene effettuata in accordo con le istruzioni, sussiste il rischio di incendi
- È necessario rispettare le normative relative allo scarico dell'aria.
- Pulire con regolarità l'elettrodomestico seguendo il metodo descritto nel capitolo MANUTENZIONE.
- Per ragioni di sicurezza, utilizzare esclusivamente viti di fissaggio o di montaggio con le misure consigliate sul manuale di istruzioni.
- Per quanto riguarda i dettagli sul metodo e la frequenza della pulizia, fare riferimento alla sezione relativa a pulizia e manutenzione sul manuale di istruzioni.
- La pulizia e la manutenzione da parte dell'utente non possono essere effettuate da bambini senza supervisione.
- Quando la cappa e le apparecchiature alimentate da fonti diverse dall'energia elettrica funzionano simultaneamente, la pressione negativa nell'ambiente non deve superare i 4 Pa (4×10^{-5} bar).

INSTALLAZIONE (SCARICO ALL'ESTERNO)

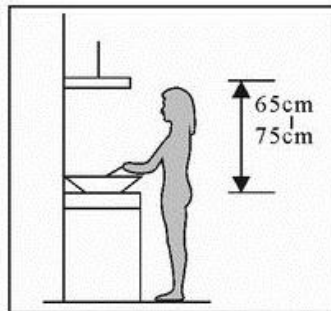
Se è disponibile uno scarico verso l'esterno la cappa può essere collegata come indicato nell'immagine qui di seguito tramite un tubo di estrazione (smalto, alluminio, tubo flessibile o materiale ignifugo con diametro interno di 150 / 120 mm)



1. Prima dell'installazione, spegnere l'elettrodomestico e staccarlo dalla presa.

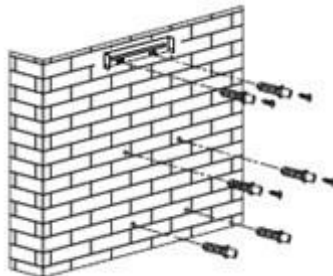


2. La cappa deve essere posizionata ad una distanza di circa 65-75 cm dal piano di cottura per ottenere i migliori effetti.

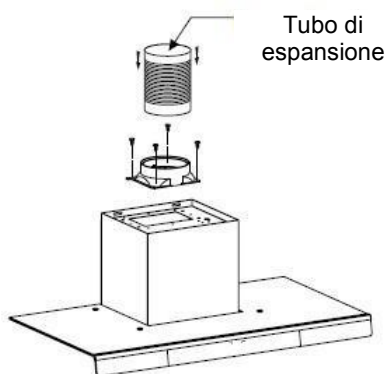


Pic 1

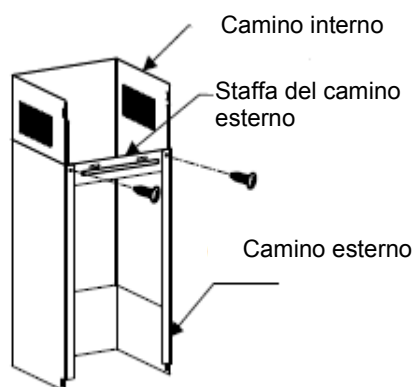
3. Una volta determinata l'altezza di montaggio inserire un gancio nella posizione adeguata e mantenerlo allineato. La posizione fissa della staffa interna del camino è quella in cui va inserito il camino. Vedere figura 2.



4. Fissare la staffa esterna del camino sul camino esterno ed accertarsi che il camino interno sia regolabile in altezza liberamente. Lo stesso dicasi per il fissaggio del tubo di espansione. In seguito, montare il tubo di espansione e il camino sulla cappa. Vedere figura 3 e figura 4.

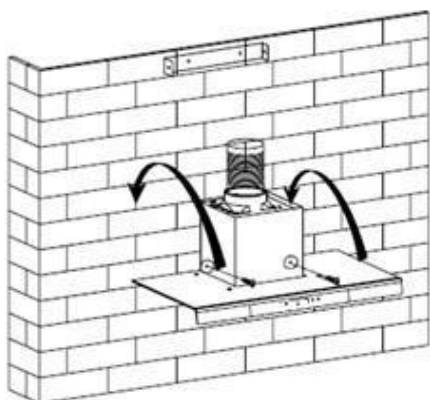


PIC-3

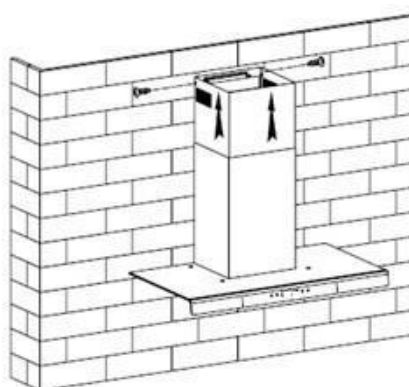


PIC-4

4. Mettere la cappa sul gancio. Vedere figura 5.



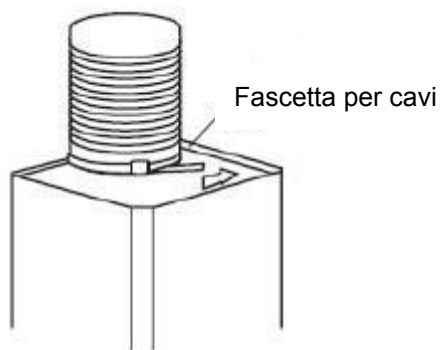
PIC-5



PIC-6

5. Regolare l'altezza del camino interno nella posizione della staffa del camino interno e bloccarlo tramite vite. Dopo avere regolato la posizione, bloccare il corpo con una vite di sicurezza. Vedere figura 6.

Nota: Nell'alloggiamento posteriore si trovano due sfiati di sicurezza, aventi diametro di 6 mm. Posare il tubo di espansione sull'uscita a parete. Fissare il tubo di espansione con la fascetta per cavi (1) sull'uscita a parete se si tratta di un tubo in lamina in alluminio.

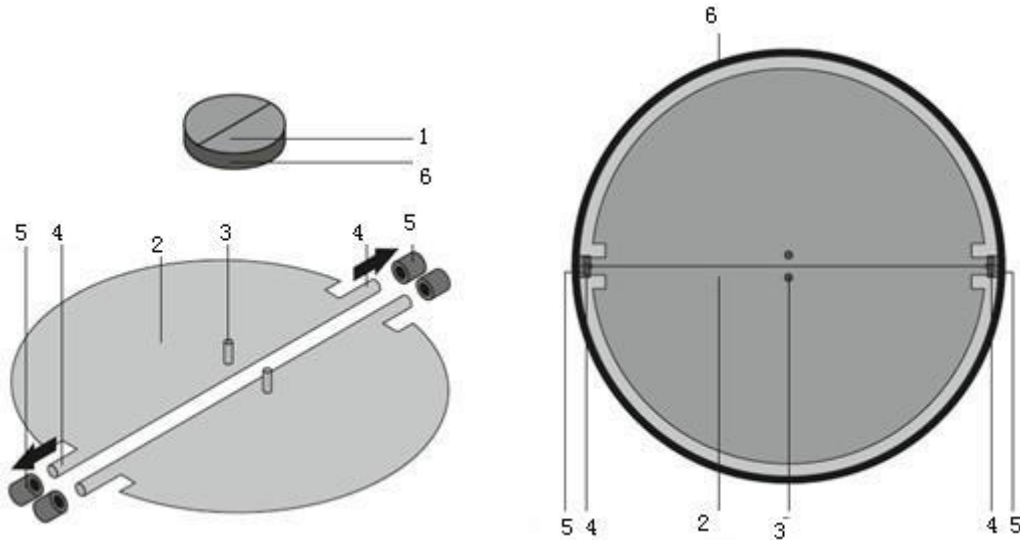


MONTAGGIO DELL'ALETTA A V (optional)

Se la cappa non ha già montata l'aletta a V 1, è necessario montare le due metà sul corpo.

Per montare la fascetta a V 1, procedere come segue:

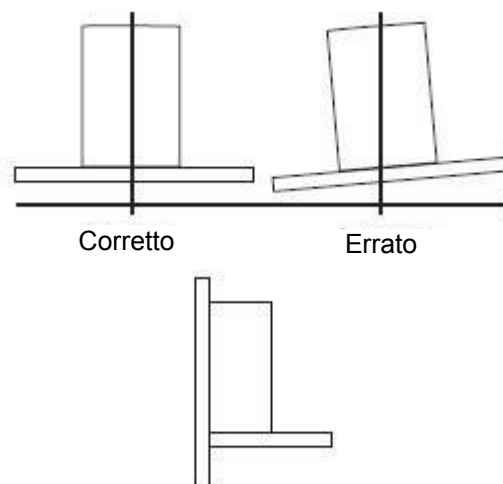
- Montare le due metà 2 nel corpo 6
- un perno 3 deve essere rivolto verso l'alto;
- il pernetto 4 deve essere inserito nei fori 5 sul corpo;
- ripetere tutte le operazioni per l'altra metà




SUGGERIMENTI PER IL MONTAGGIO DEL CONDOTTO DI SCARICO

Per ottenere un'estrazione ottimale dell'aria, è necessario rispettare rigorosamente le seguenti norme:

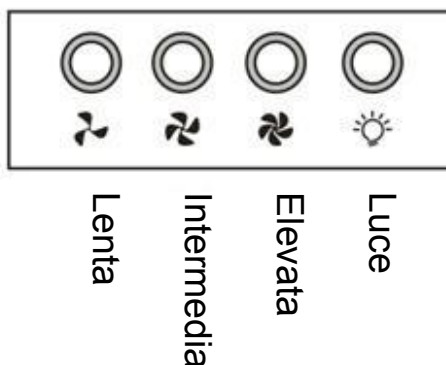
- Mantenere il tubo di espansione corto e rettilineo.
- Non ridurre le dimensioni o limitare il tubo di espansione.
- Quando si utilizza il tubo di espansione montarlo sempre a tenuta per ridurre al minimo le perdite di pressione.
- Il mancato rispetto di queste istruzioni basilari ridurrà le prestazioni ed aumenterà il livello di rumorosità della cappa.
- Qualsiasi lavoro di installazione deve essere effettuato da operatori competenti o da elettricisti qualificati.
- Non collegare il sistema di canalizzazione della cappa a un sistema di ventilazione esistente già in uso per altri dispositivi (tubi per scaldavivande, tubi del gas, tubi per aria calda).
- L'angolo di curvatura del tubo di espansione non deve essere inferiore a 120°; è necessario dirigere il tubo orizzontalmente o, in alternativa, orientarlo verticalmente dal punto iniziale verso una parete esterna.
- Dopo l'installazione, assicurarsi che la cappa sia livellata per evitare il ristagno di grasso a una estremità.
- Accertarsi che il tubo di espansione selezionato per il montaggio sia conforme alle relative normative e sia antifiamma.



<p>AVVERTENZA:</p> 	<ul style="list-style-type: none"> ➤ Per ragioni di sicurezza, utilizzare esclusivamente viti di fissaggio o di montaggio con le misure consigliate sul manuale di istruzioni. ➤ Se le viti o il dispositivo di fissaggio non sono installati seguendo queste istruzioni potrebbero verificarsi rischi elettrici.
---	---

Inizio dell'utilizzo della cappa **Pulsante elettronico**

1. Dare alimentazione: l'avvisatore acustico suona cinque volte. Il suono sta ad indicare che l'elettrodomestico è alimentato.
2. Premere il pulsante in basso, la luce indicatrice 1 si accende, l'avvisatore acustico suona una volta e il motore funziona a bassa velocità. Premere nuovamente: il motore si ferma.
3. Premere il pulsante centrale, la luce indicatrice 2 si accende, l'avvisatore acustico suona una volta e il motore funziona a velocità intermedia. Premere nuovamente: il motore si ferma.
4. Premere il pulsante in alto, la luce indicatrice 3 si accende, l'avvisatore acustico suona una volta e il motore funziona a velocità elevata. Premere nuovamente: il motore si ferma.
5. Premere il pulsante della luce; la luce indicatrice 4 si accende e le due luci si accendono. Premere nuovamente, le luci si spengono. Ad ogni pressione, l'avvisatore acustico suona una volta.



GUIDA ALL'INDIVIDUAZIONE DEI PROBLEMI

Anomalia	Possibile causa	Cosa fare
La luce è accesa, ma il motore non funziona	Interruttore ventola spento	Selezionare una posizione dell'interruttore della ventola.
	Interruttore della ventola difettoso	Contattare un centro assistenziale.
	Motore guasto	Contattare un centro assistenziale.
La luce non si accende, il motore non funziona	Fusibili dell'impianto domestico saltati	Ripristinare/sostituire i fusibili.
	Cavo di alimentazione allentato o staccato	Ricollegare il cavo alla presa di alimentazione. Attivare la presa di alimentazione.
Perdita di olio	La valvola unidirezionale e l'entrata di ventilazione aria non sono a tenuta	Smontare la valvola unidirezionale e applicare sigillante.
	Perdita dal raccordo del profilato ad U e dalla protezione	Smontare il profilato ad U e sigillare.
Le luci non funzionano	Lampadine rotte/guaste	Sostituire le lampadine come riportato in questo manuale di istruzioni.
Aspirazione insufficiente	La distanza tra la cappa e il piano di cottura a gas è eccessiva	Rimontare la cappa alla distanza corretta.
La cappa è inclinata	La vite di fissaggio non è serrata a fondo	Serrare la vite di supporto e rendere la cappa orizzontale.

NOTA:

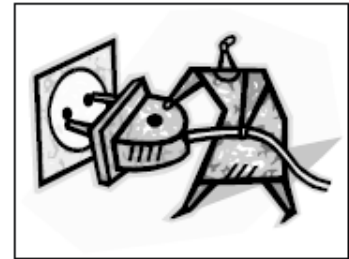


Tutte le riparazioni elettriche a questo elettrodomestico devono rispettare le normative locali, statali e federali. Si prega di contattare il centro di assistenza in caso di dubbi prima di intraprendere qualsiasi attività correttiva. Staccare sempre dalla rete elettrica l'elettrodomestico quando è necessario aprirlo.

MANUTENZIONE E PULIZIA

Attenzione:

- Prima di qualsiasi attività di manutenzione o pulizia, la cappa deve essere staccata dall'alimentazione principale. Accertarsi che la cappa sia spenta nella presa a muro e che la spina sia stata tolta.



- Le superfici esterne sono sensibili a graffi e abrasioni, pertanto si prega di rispettare le istruzioni di pulizia per essere certi di ottenere il miglior risultato possibile senza danni.

AVVERTENZE GENERALI

La pulizia e la manutenzione devono essere effettuate con l'elettrodomestico freddo, in particolare le attività di pulizia. Evitare di lasciare sostanze alcaline o acide (succo di limone, aceto, ecc...) sulle superfici.

ACCIAIO INOSSIDABILE

L'acciaio inossidabile deve essere pulito con regolarità (cioè una volta alla settimana) per garantirne una lunga durata. Asciugare con un panno soffice pulito. Si può utilizzare un fluido di pulizia specializzato per acciaio inossidabile.

NOTA:

Accertarsi di pulire lungo la venatura dell'acciaio inossidabile per evitare graffi incrociati superficiali che sono inestetici.

SUPERFICIE DEL PANNELLO COMANDI

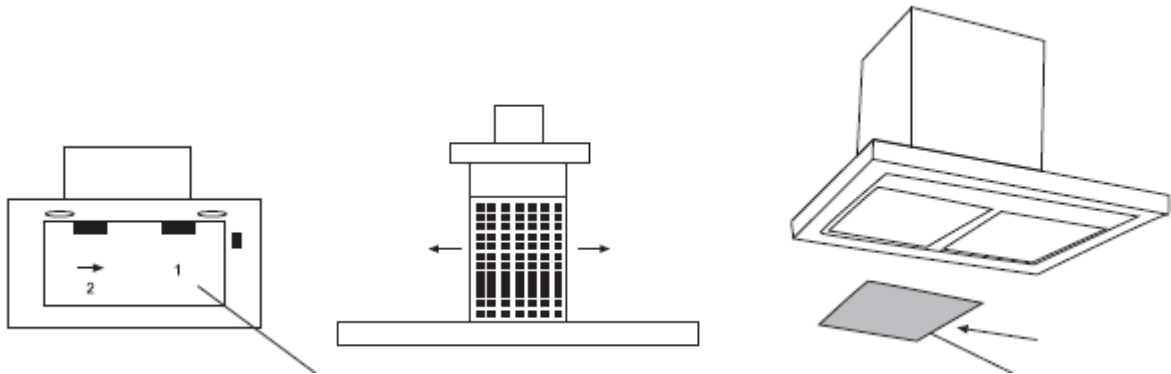
Il pannello comandi ad incastro può essere pulito con acqua tiepida e sapone. Accertarsi che il panno sia pulito e ben strizzato prima di iniziare la pulizia. Utilizzare un panno morbido e asciutto per togliere l'eventuale acqua lasciata dopo la pulizia.

Importante

Utilizzare detergenti neutri ed evitare prodotti chimici potenti, detergenti domestici aggressivi o prodotti contenenti sostanze abrasive, che potrebbero danneggiare l'estetica superficiale del prodotto e rischiare di cancellare le grafiche sul pannello di controllo, annullando così la garanzia del produttore.

FILTRI A RETE PER GRASSI

I filtri a rete possono essere puliti manualmente o in lavastoviglie. Dopo la pulizia, accertarsi che i filtri siano completamente asciutti prima di rimontarli.



- Manualmente: Tenerli in ammollo in acqua e detersivo sciogli-grasso per circa 3 minuti, quindi strofinare delicatamente con una spazzola morbida. Non applicare una pressione eccessiva per evitare di danneggiarlo. (Lasciare asciugare naturalmente al riparo dalla luce diretta del sole)
- In lavastoviglie: Accertarsi che la posizione dei filtri sia tale da non impedire il funzionamento degli ugelli irroratori. Il lavaggio dei filtri in lavastoviglie provoca scolorimento della rete interna in alluminio mano a mano che passa il tempo anche se non influisce sulle loro prestazioni.

I filtri devono essere lavati separatamente dalle stoviglie e dagli utensili da cucina. Si consiglia di non utilizzare il brillantante.

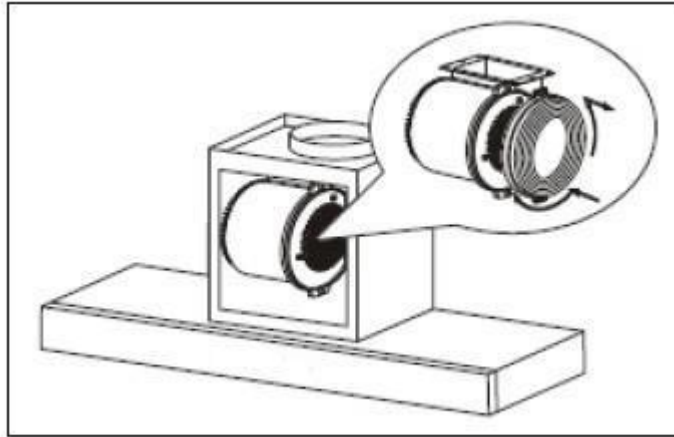
MONTAGGIO DEI FILTRI A RETE PER GRASSI

- Per il montaggio dei filtri seguire le quattro fasi riportate qui di seguito.
- Disporre ad angolo il filtro nelle fessure nella parte posteriore della cappa.
- Premere il pulsante sull'impugnatura del filtro.
- Rilasciare l'impugnatura quando il filtro si inserisce a fondo.
- Ripetere la procedura per il montaggio di tutti i filtri.

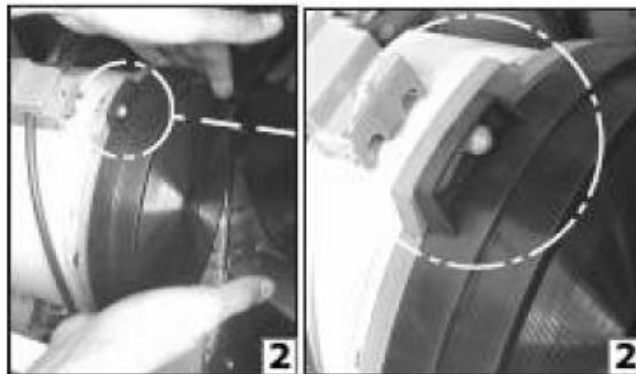
FILTRO AL CARBONE ATTIVO - acquisto separato

Il filtro al carbone attivo si utilizza per filtrare gli odori. Normalmente il filtro al carbone attivo si deve sostituire ogni tre o sei mesi a seconda delle abitudini di cottura. La procedura di montaggio del filtro al carbone attivo viene riportata qui di seguito.

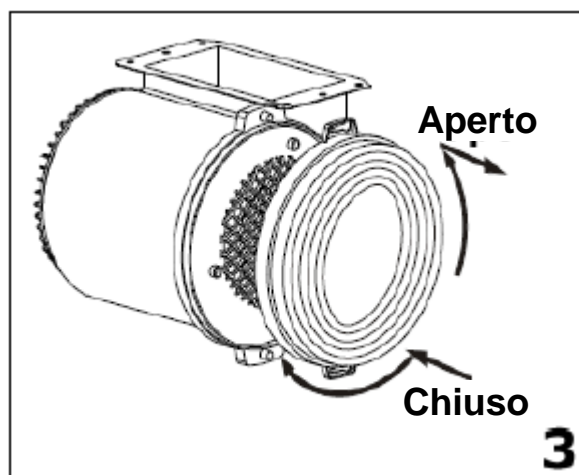
1. Una volta tolto il pannello di accesso al motore, si accede direttamente al motore.



2. Agganciare il filtro al carbone attivo ai perni posti all'estremità del motore.



3. Ruotare il filtro al carbone in senso antiorario, fino a quando non scatta in posizione.



※Ripetere la procedura per il secondo filtro al carbone attivo. È necessario collocare un filtro al carbone attivo ad ogni estremità del motore.


※Rimontare il pannello di accesso al motore e serrare a fondo le viti tolte in precedenza.

※Rimontare le sezioni inferiore e superiore del camino sul corpo principale della cappa.

NOTA:

- Accertarsi che il filtro sia fissato saldamente. In caso contrario, il filtro potrebbe staccarsi e provocare danni.
- Quando il filtro al carbone è fissato, la potenza di aspirazione diminuisce.

SOSTITUZIONE DELLE LAMPADINE

<p>Importante:</p> 	<ul style="list-style-type: none">✧ La lampadina deve essere sostituita dal produttore, da un agente autorizzato o da personale parimenti qualificato.✧ Spegnere sempre l'alimentazione elettrica prima di effettuare qualsiasi operazione sull'elettrodomestico. Durante la manipolazione delle lampadine, accertarsi che siano totalmente raffreddate prima di toccarle direttamente con le mani.✧ Quando si maneggiano le lampadine, tenerle con un panno o guanti per essere certi che la traspirazione non entri in contatto con la lampadina, perché ciò potrebbe ridurre la durata della lampadina stessa.
---	---

Cambio di una lampadina per un LED ad alta pressione

1. Prima di tutto spegnere l'elettrodomestico ed estrarre la spina.
2. Attendere che la lampadina si sia raffreddata prima di sostituirla.
3. Togliere il filtro con deflettore ed utilizzare il cacciavite per estrarre la cornice come indicato in figura
4. Sostituire con lo stesso tipo di lampadina (a LED, max. 2 W)

Nota: le lampadine possono essere sostituite solamente da personale assistenziale qualificato.

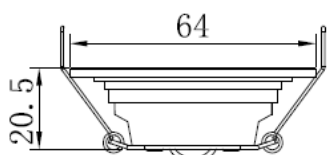
• Il codice ILCOS D per la lampada è: **DBR-2/65-H-64**

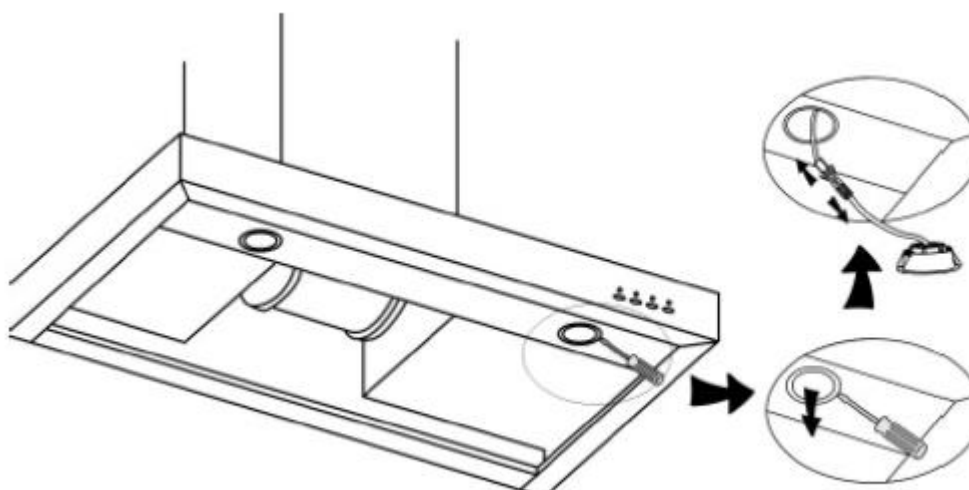
– Moduli a LED – lampadina circolare

– Max. potenza in W: 2 W

– Intervallo di tensione: ca 220-240 V

– Ingombri:






Importante

Quando si maneggiano le lampadine, tenerle con un panno o guanti per essere certi che la traspirazione non entri in contatto con la lampadina, perché ciò potrebbe ridurre la durata della lampadina stessa.

PROTEZIONE AMBIENTALE:

	<p>Questo prodotto è contrassegnato con il simbolo relativo alla raccolta differenziata di apparecchiature elettroniche di scarto. Ciò significa che il prodotto non deve essere smaltito come rifiuto domestico ma tramite una raccolta differenziata, in accordo con la Direttiva 2012/19/UE. Sarà quindi riciclato o smantellato in modo tale da ridurre al minimo gli impatti sull'ambiente; i prodotti elettrici ed elettronici sono potenzialmente pericolosi per l'ambiente e la salute dell'uomo a causa della presenza di sostanze pericolose. Per ulteriori informazioni, si prega di rivolgersi alle autorità locali o regionali.</p>
---	--

NOTA:

Qui di seguito viene indicato come ridurre l'impatto ambientale totale (ad esempio l'uso di energia) del processo di cottura.

- (1) Montare la cappa in un luogo adatto, con ventilazione efficiente.
- (2) Pulire con regolarità la cappa in modo da non ostruire il passaggio dell'aria.
- (3) Non dimenticarsi di spegnere la luce della cappa dopo la cottura.
- (4) Non dimenticarsi di spegnere la cappa dopo la cottura.

INFORMAZIONI SULLO SMALTIMENTO

Non smantellare l'elettrodomestico con un metodo diverso da quello riportato sul manuale di istruzioni. L'elettrodomestico non può essere smantellato dall'utente. Al termine della vita utile, l'elettrodomestico non può essere smaltito con i rifiuti domestici. Contattare le Autorità Locali o il concessionario per ottenere informazioni relativamente al riciclo.

**RMB9800/1IN, RMB9600/1IN,
HMB9600/1X, HMB6600/1X**

**Odsavač nad sporák
Návod k použití**

Obsah

1. Bezpečnostní opatření	45
2. Instalace.....	47
3. Zahájení používání odsavače nad sporák.....	50
4. Odstraňování problémů.....	51
5. Údržba a čištění	51
6. Ochrana životního prostředí	56

BEZPEČNOSTNÍ OPATŘENÍ

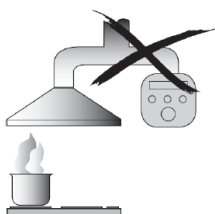
Tento návod vysvětluje správnou instalaci a používání odsavače nad sporák. Před použitím si tento návod prosím důkladně prostudujte, a to i pokud jste s výrobkem obeznámeni. Návod by měl být uchováván na bezpečném místě pro případné budoucí použití.

Co nikdy nedělat:

- Nepokoušejte se používat odsavač bez tukových filtrů nebo s nadměrně mastnými filtry!
- Neinstalujte odsavač nad sporák se samostatným grilováním nad varnou deskou.
- Při smažení jídel nenechávejte pánev bez dozoru, protože přehřátý tuk nebo olej by se mohl vznítit.
- Nikdy nenechávejte pod odsavačem otevřený plamen.



- Jestliže se odsavač par nad sporák poškodí, nepoužívejte ho.
- Pod odsavačem nepřipravujte flambovaná jídla.
- POZOR: Přístupné díly spotřebiče se při použití s varnými spotřebiči mohou zahřát na vysokou teplotu.
- Minimální vzdálenost mezi nosnou plochou varných nádob na varné desce a nejnižší částí okraje odsavače par musí být dodržena. (Je-li odsavač par umístěn nad plynovým spotřebičem, vzdálenost musí být nejméně 65 cm.)
- Vzduch se nesmí odvádět do kouřových trubek, které se používají k odtahu spalin z topení na plyn nebo jiné palivo.



Co dělat vždy:

- Důležité! Během instalace a údržby, jako je výměna žárovky, vždy vypněte přívod elektřiny v síti.
- Odsavač musí být instalován v souladu s pokyny pro instalaci a je nutné dodržet všechny uvedené rozměry.
- Veškeré instalační práce musejí být provedeny odborně způsobilou osobou nebo kvalifikovaným elektrikářem.
- Obalový materiál zlikvidujte dle předpisů. Děti by se jím mohly poranit.
- Dávejte pozor na ostré hrany uvnitř odsavače, zvláště při jeho instalaci a čištění.
- Je-li odsavač umístěn nad plynovým spotřebičem, minimální vzdálenost mezi nosnou plochou varných nádob na varné desce a nejnižší částí okraje odsavače musí být:
Plynové sporáky: 75 cm
Elektrické sporáky: 65 cm
Sporáky na uhlí nebo olej: 75 cm
- Zkontrolujte, zda vedení nemá ohyb větší než 90 stupňů, protože to snižuje účinnost odsavače.
- Upozornění: Pokud nepoužijete šrouby nebo upevňovací zařízení v souladu s těmito pokyny, může dojít k úrazu elektrickým proudem.

Co dělat vždy:

- Při vaření na plynovém sporáku vždy přikryjte hrnce i pánve pokličkou.
- V režimu odsávání se pomocí odsavače odsává vzduch v místnosti. Zkontrolujte prosím, zda jsou dodržena správná opatření pro větrání. Odsavač odstraňuje pachy z místnosti, ale ne páru.
- Pokud se odsavač používá společně s jinými spotřebiči spalujícími plyn nebo jiná paliva, musí být v místnosti zajištěno dostatečné větrání.
- Odsavač je určen výhradně k domácímu použití.



- Jestliže je poškozený napájecí kabel, smí ho vyměnit pouze výrobce, servisní technik nebo osoba s podobnou příslušnou kvalifikací, jinak by mohlo dojít k úrazu.
- Tento spotřebič smějí používat děti do 8 let a osoby se sníženými fyzickými, smyslovými nebo duševními schopnostmi nebo osoby bez patřičných zkušeností a znalostí pouze tehdy, pokud jsou pod dohledem osob odpovědných za jejich bezpečnost nebo pokud byly náležitě poučeny o bezpečném použití spotřebiče a rozumějí možnému nebezpečí. Děti si se spotřebičem nesmějí hrát. Děti nesmějí bez dozoru dospělých zařízení čistit ani provádět činnosti údržby.



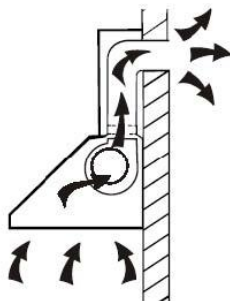
- Upozornění: Před získáním přístupu ke svorkám musejí být všechny napájecí obvody odpojeny.

Co dělat vždy:

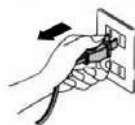
- Pozor: Spotřebič a jeho přístupné části se během provozu mohou zahřát na vysokou teplotu. Buďte opatrní a nedotýkejte se topných článků. Děti mladší než 8 let by se neměly ke spotřebiči přibližovat, pokud nejsou pod stálým dohledem.
- Pokud se odsavač používá společně s jinými spotřebiči spalujícími plyn nebo jiná paliva, musí být v místnosti zajištěno dostatečné větrání.
- Pokud čištění není prováděno v souladu s pokyny, hrozí nebezpečí vzniku požáru.
- Musejí být dodrženy předpisy týkající se vypouštění vzduchu.
- Spotřebič čistěte pravidelně podle postupu uvedeného v kapitole ÚDRŽBA.
- Z bezpečnostních důvodů používejte pouze stejnou velikost upevňovacího nebo montážního šroubu, která je doporučena v tomto návodu k obsluze.
- Podrobné informace o způsobu a četnosti čištění naleznete v části týkající se údržby a čištění v návodu k obsluze.
- Děti nesmějí bez dozoru dospělých zařízení čistit ani provádět činnosti údržby.
- Pokud odsavač par a spotřebiče napájené jinou energií, než je elektřina, pracují současně, záporný tlak v místnosti nesmí překročit hodnotu 4 Pa (4×10^{-5} bar).

INSTALACE (VENKOVNÍ ODVĚTRÁNÍ)

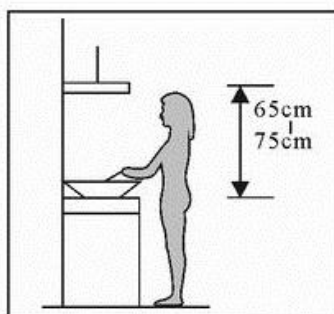
Pokud je ve zdi otvor ven, lze odsavač připojit podle níže uvedeného obrázku pomocí odtahového vedení (smaltová, hliníková, ohebná trubka nebo trubka z nehořlavého materiálu s vnitřním průměrem 150/120 mm).



1. Před instalací spotřebič vypněte a odpojte jej ze zásuvky.

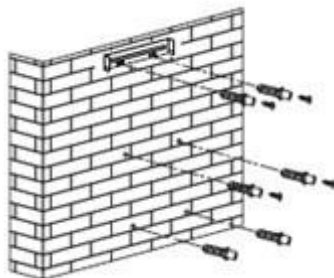


2. Odsavač funguje nejlépe, pokud je umístěn ve vzdálenosti 65~75 cm nad varnou plochou.

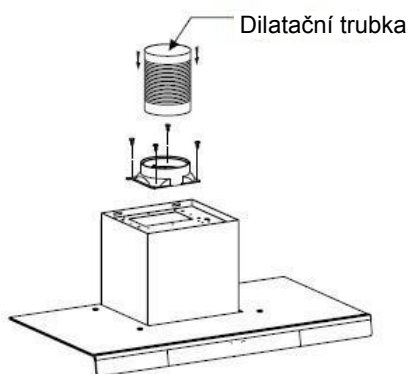


Pic 1

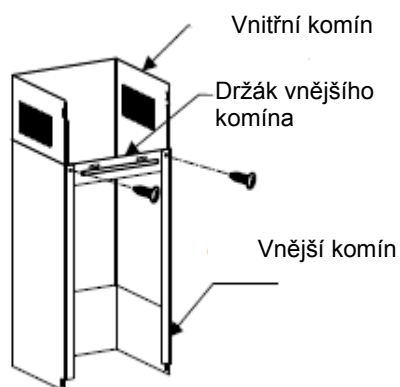
3. Jakmile je výška instalace pevně stanovená, připevněte na vhodné místo hák a udržujte jej v linii. Pevná poloha držáku vnitřního komína představuje místo komína. Viz obr. 2.



4. Na vnější komín upevněte držák vnějšího komína a ujistěte se, že v něm lze volně nastavit výšku vnitřního komína, jakož i upevnění dilatační trubky. Poté dilatační trubku a komín namontujte na odsavač. Viz obr. 3 / obr. 4.

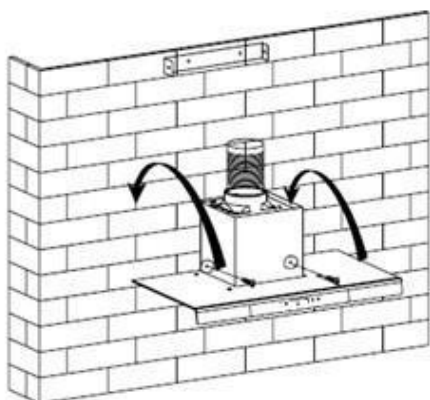


PIC-3

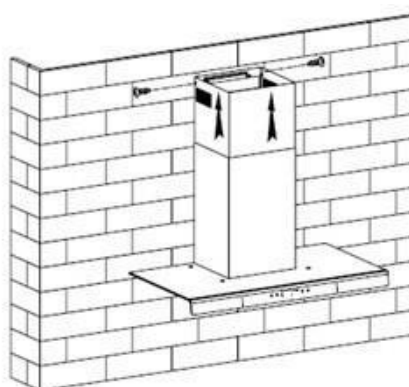


PIC-4

4. Odsavač par zavěste na hák. Viz obr. 5.



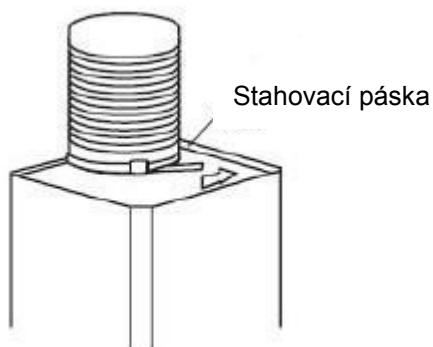
PIC-5



PIC-6

5. Výšku vnitřního komína nastavte do polohy držáku vnitřního komína a zafixujte ji pomocí šroubu. Po nastavení polohy tělo upevněte pomocí bezpečnostního šroubu. Viz obr. 6.

Poznámka: Na zadním krytu jsou umístěny dva bezpečnostní větrací otvory o průměru 6 mm. Dilatační trubku položte do výstupu ve zdi. Pokud je dilatační trubka vyrobena z hliníkové fólie, upevněte ji na výstupu ve zdi stahovací páskou (1).

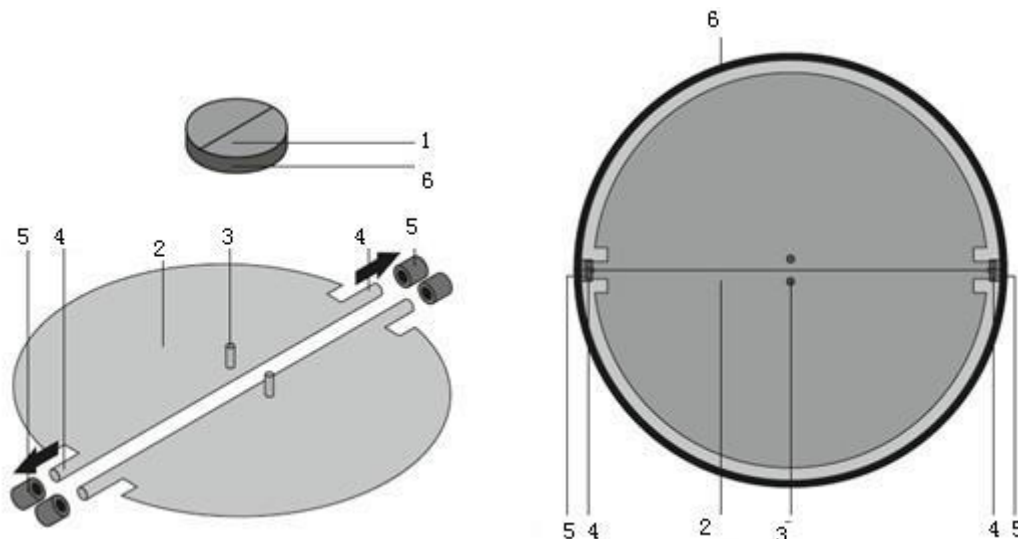


MONTÁŽ V-KLAPKY (volitelně)

Pokud odsavač nemá sestavenou V-klapku 1, měli byste připevnit poloviny k jejímu tělu.

K upevnění V-klapky 1 je třeba provést:

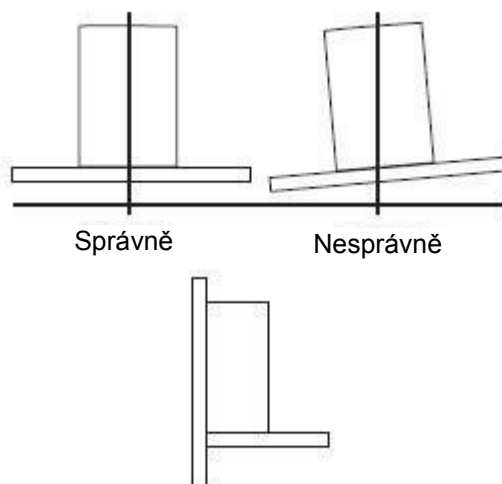
- připevněte dvě poloviny 2 do těla 6,
- čep 3 by měl být orientován nahoru,
- osa 4 by měla být vložena do otvorů 5 na těle,
- zopakujte všechny operace pro druhou polovinu.




TIPY PRO INSTALACI ODSÁVACÍHO VEDENÍ

Aby se dosáhlo optimálního odtahu vzduchu, musejí být přísně dodržována následující pravidla:

- Dilatační trubku zachovejte krátkou a rovnou.
- Nezmenšujte ani neomezujte dilatační trubku.
- Při použití dilatační trubky ji vždy namontujte vytaženou tak, aby se minimalizovala ztráta tlaku.
- Nedodržení těchto základních pokynů sníží výkon odsavače a zvýší jeho hladinu hluku.
- Všechny instalační práce smí provádět pouze kvalifikovaný elektrikář nebo osoba s příslušným oprávněním.
- Nepřipojujte odtahový systém odsavače do existujícího ventilačního systému, který je používán pro jiný spotřebič, jako je trubka ohříváče, plynová trubka, trubka s horkým vzduchem.
- Úhel ohybu dilatační trubky by neměl být menší než 120°; trubku je třeba směřovat vodorovně, nebo by trubka měla vést od počátečního bodu nahoru a vést k vnější stěně.
- Po dokončení instalace se ujistěte, že je odsavač ve vodorovné poloze, aby se zabránilo hromadění tuku na jednom konci.
- Ujistěte se, že dilatační trubka zvolená pro instalaci odpovídá příslušným normám a zpomaluje hoření.

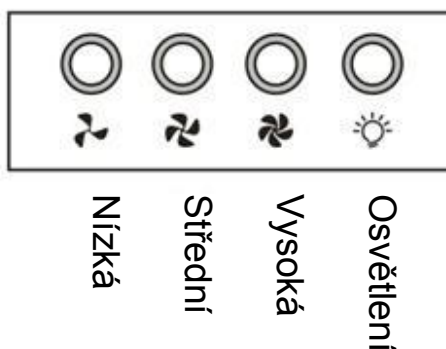


<p>UPOZORNĚNÍ:</p> 	<ul style="list-style-type: none"> ➤ Z bezpečnostních důvodů používejte pouze stejnou velikost upevňovacího nebo montážního šroubu, která je doporučena v tomto návodu k obsluze. ➤ Pokud nepoužijete šrouby nebo upevňovací prostředek v souladu s těmito pokyny, může dojít k úrazu elektrickým proudem.
--	--

Zahájení používání odsavače nad sporák

Elektronické tlačítko

1. Zapněte napájení; bzučák pětkrát zazní. Zvuk znamená, že je přístroj napájen.
2. Stiskněte spodní tlačítko, kontrolka 1 se rozsvítí, bzučák jednou zazní a motor běží s nízkými otáčkami. Při opakovaném stisku se motor zastaví.
3. Stiskněte střední tlačítko, kontrolka 2 se rozsvítí, bzučák jednou zazní a motor běží se středními otáčkami. Při opakovaném stisku se motor zastaví.
4. Stiskněte horní tlačítko, kontrolka 3 se rozsvítí, bzučák jednou zazní a motor běží s vysokými otáčkami. Při opakovaném stisku se motor zastaví.
5. Stiskněte tlačítko osvětlení, rozsvítí se kontrolka 4 a obě lampy osvětlení. Při opakovaném stisku lampy zhasnou. S každým stisknutím zazní jednou bzučák.



ODSTRAŇOVÁNÍ PROBLÉMŮ

Porucha	Možná příčina	Řešení
Osvětlení zapnuté, ale motor nefunguje	Spínač ventilátoru je vypnutý	Vyberte polohu spínače ventilátoru.
	Spínač ventilátoru je vadný	Obraťte se na servisní středisko.
	Motor je vadný	Obraťte se na servisní středisko.
Osvětlení nesvítí, motor nefunguje	Jsou vyhozené domovní pojistky	Resetujte/vyměňte pojistky.
	Napájecí kabel je uvolněný nebo odpojený	Znovu zapojte kabel do elektrické zásuvky. Zapněte elektrickou zásuvku.
Únik oleje	Jednocestný ventil a ventilační vstup vzduchu nejsou těsně uzavřené	Sejměte jednocestný ventil a utěsněte těsnicí hmotou.
	Únik z připojení části ve tvaru U a krytu	Sejměte část ve tvaru U a utěsněte.
Osvětlení nesvítí	Prasklé/vadné žárovky	Vyměňte žárovky podle tohoto návodu.
Nedostatečné sání	Vzdálenost mezi odsavačem a plynovou deskou je příliš velká	Namontujte odsavač ve správné vzdálenosti.
Odsavač je nakloněn	Upevňovací šroub není dostatečně dotažen	Utáhněte závěsný šroub a nastavte jej vodorovně.

POZNÁMKA:



Jakékoli opravy elektrického vedení u tohoto spotřebiče musejí odpovídat místním, státním a federálním zákonům. V případě jakýchkoli pochybností se prosím dříve, než provedete některé z výše uvedených opatření, obraťte na servisní středisko. Při otevírání jednotky ji vždy odpojte od zdroje energie.

ÚDRŽBA A ČIŠTĚNÍ

Pozor:

- Před prováděním údržby nebo čištění by měl být odsavač odpojen od hlavního zdroje napájení. Ujistěte se, že je odsavač vypnutý a odpojený ze zásuvky.



- Vnější povrchy jsou náchylné k poškrábání a odření, proto dodržujte pokyny k čištění, abyste zajistili nejlepší možný výsledek bez poškození.

OBECNÉ INFORMACE

Čištění a údržba by se měla provádět na chladném spotřebiči, zvláště pak při čištění. Zabraňte, aby se na povrch dostaly alkalické nebo kyselé látky (citronová šťáva, ocet apod.).

NEREZOVÁ OCEL

Nerezovou ocel je třeba pravidelně čistit (např. jednou týdně), aby byla zajištěna její dlouhá životnost. Vysušte ji čistou měkkou utěrkou. Lze používat speciální čisticí kapalinu na nerezové oceli.

POZNÁMKA:

Ujistěte se, že se utírání provádí ve směru zrnitosti nerezové oceli, aby se zabránilo vzniku nevzhledných křížujících vzorů poškrábání.

POVRCH OVLÁDACÍHO PANELU

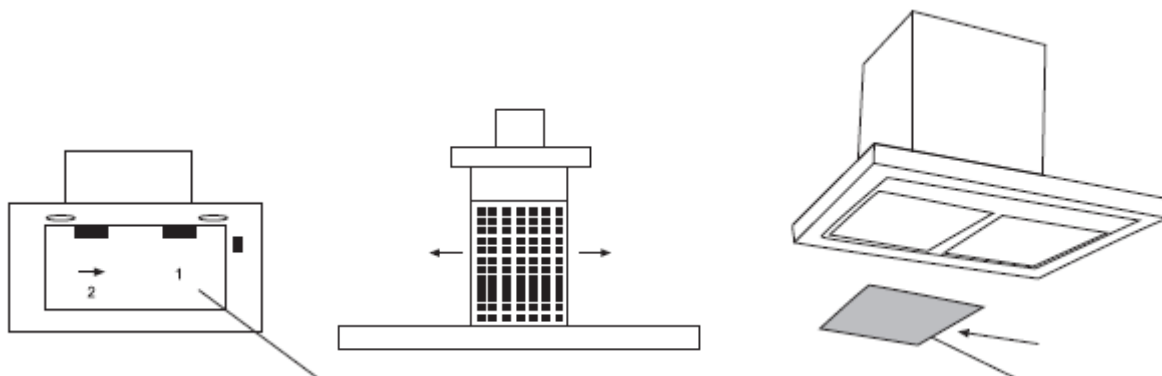
Vložený ovládací panel lze vyčistit pomocí teplé mýdlové vody. Před čištěním se ujistěte, že je hadřík čistý a dobře vyždímaný. Použijte suchý měkký hadřík, abyste odstranili přebytečnou vlhkost, která zůstala po čištění.

Důležité

Používejte neutrální čisticí prostředky a vyvarujte se použití drsných čisticích prostředků, silných čisticích prostředků pro domácnost nebo výrobků s abrazivní složkou, protože mohou ovlivnit vzhled spotřebiče a případně odstranit jakýkoli potisk na ovládacím panelu a zrušit platnost záruky.

TUKOVÉ SÍŤOVÉ FILTRY

Síťové filtry mohou být čištěny ručně nebo v myčce nádobí. Po čištění se před opětovným nainstalováním ujistěte, že jsou filtry zcela suché.



- Ručně: Namočte je přibližně na 3 minuty do vody s čisticím odmašťovacím prostředkem a potom je jemně vyčistěte měkkým kartáčkem. Netlačte příliš, aby nedošlo k jejich poškození. (Nechte přirozeně uschnout mimo přímé sluneční záření.)
- V myčce nádobí: Ujistěte se, že jsou filtry umístěny tak, aby nebránily funkci ramena ostřikovače. Mytí filtrů v myčce nádobí může časem způsobit změnu barvy vnitřní hliníkové sítě, což ale nemá vliv na jejich výkon.

Filtry je třeba umývat odděleně od nádobí a kuchyňského náčiní. Doporučujeme nepoužívat leštidlo.

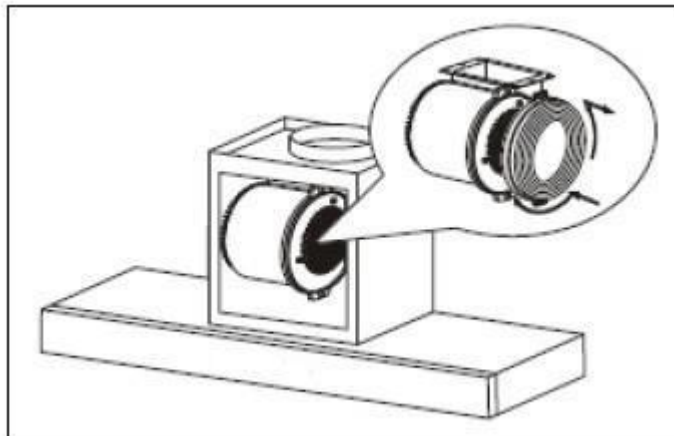
INSTALACE TUKOVÝCH SÍŤOVÝCH FILTRŮ

- Při instalaci filtrů postupujte podle následujících čtyř kroků.
- Nasměrujte filtr do otvorů na zadní straně odsavače.
- Stiskněte tlačítko na držadle filtru.
- Po vložení filtru do jeho klidové polohy držadlo uvolněte.
- Opakujte pro nainstalování všech filtrů.

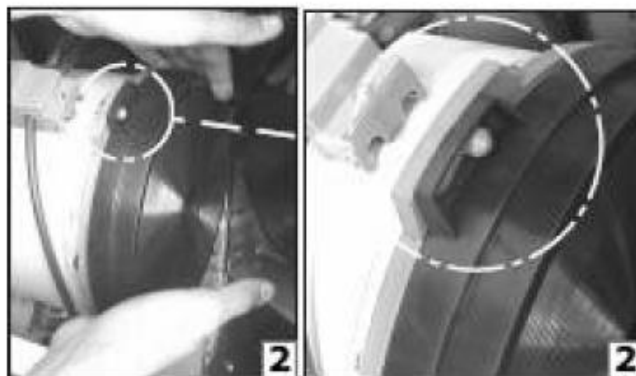
UHLÍKOVÝ FILTR – prodáván samostatně

K zachycení pachů lze použít aktivovaný uhlíkový filtr. Filtr s aktivním uhlím by se měl normálně vyměňovat po třech nebo šesti měsících v závislosti na vašich stravovacích návycích. Postup instalace filtru s aktivním uhlím je uveden níže.

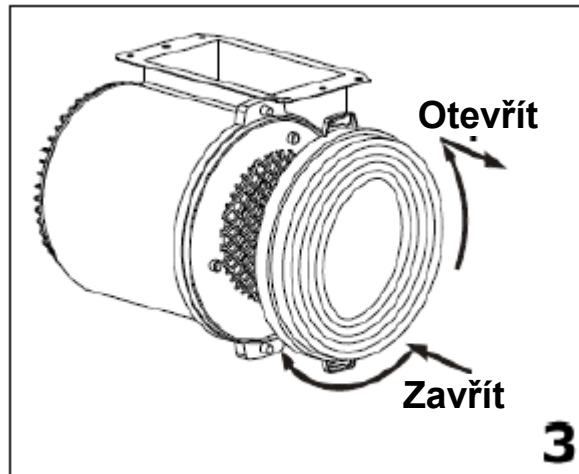
1. Jakmile je přístupový panel k motoru odstraněn, můžete spatřit motor.



2. Zavěste uhlíkový filtr na čepy, které jsou umístěné na konci motoru.



3. Otáčejte uhlíkovým filtrem proti směru hodinových ručiček, dokud necítíte, že zacvakl na místo.



※ Tento postup opakujte u druhého uhlíkového filtru. Uhlíkový filtr musíte nasadit na obou koncích motoru.

※ Nasaďte zpět přístupový panel k motoru a šrouby, které jste předtím vyšroubovali, pevně dotáhněte.

※ Nasaďte zpět spodní a horní části komína k hlavnímu tělu odsavače.

POZNÁMKA:

- Ujistěte se, že je filtr pevně zablokovaný. V opačném případě by se mohl uvolnit a představovat nebezpečí.
- Když je připevněn aktivovaný uhlíkový filtr, sací výkon se sníží.

VÝMĚNA ŽÁROVKY

Důležité upozornění:



- ✧ Žárovku musí vyměnit výrobce, jeho servisní zástupce nebo osoby s podobnou kvalifikací.
- ✧ Před prováděním jakýchkoli činností na spotřebiči vždy vypněte napájení. Při manipulaci s žárovkou se dříve, než se jí přímo dotknete rukama, ujistěte, že je zcela vychladlá.
- ✧ Při manipulaci s žárovkami je držte přes hadřík nebo v rukavicích, abyste zajistili, že do kontaktu se žárovkou nepříjde pot, jenž může snížit životnost žárovek.

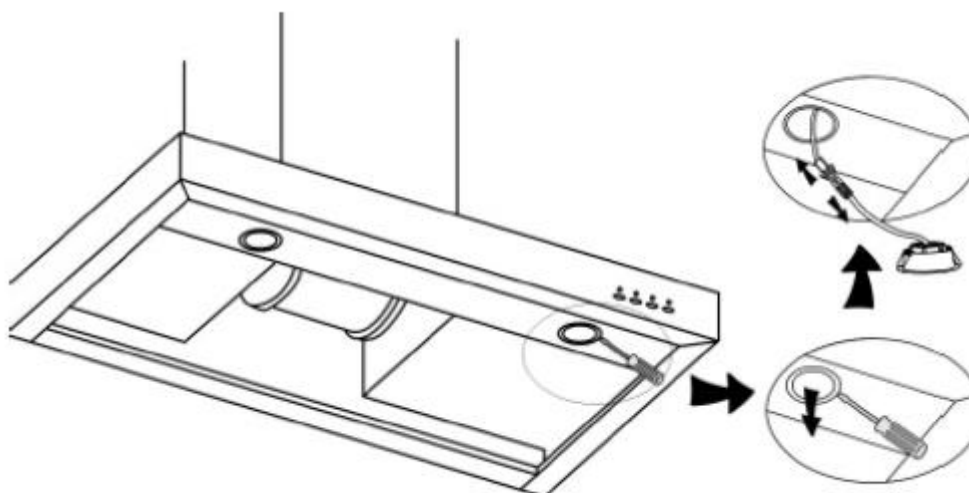
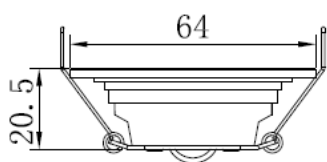
Výměna žárovek v lampách u vysokotlakých diod LED

1. Nejprve vypněte spotřebič a vytáhněte zástrčku.
2. Před výměnou počkejte, až se žárovka osvětlení ochladí.
3. Vyjměte baffle filtr a pomocí šroubováku vyndejte rám, jak je znázorněno na níže uvedeném obrázku.
4. Nahraďte žárovku stejným typem žárovky (LED, max. 2 W).

Poznámka: Výměnu osvětlení by měli provádět pouze kvalifikovaní pracovníci servisu.

• Kód ILCOS D pro tuto lampu je: DBR-2/65-H-64


- LED moduly – kulatá lampa
- Maximální příkon: 2 W
- Rozsah napětí: AC 220–240 V
- Rozměry:



Důležité

Při manipulaci s žárovkami je držte přes hadřík nebo v rukavicích, abyste zajistili, že do kontaktu se žárovkou nepřijde pot, jenž může snížit životnost žárovek.

OCHRANA ŽIVOTNÍHO PROSTŘEDÍ:

	<p>Tento výrobek je označen symbolem pro selektivní třídění odpadních elektronických zařízení. To znamená, že tento výrobek nesmí být likvidován spolu s komunálním odpadem, ale musí být zlikvidován systémem tříděného sběru v souladu se směrnicí 2012/19/EU. Výrobek se pak musí recyklovat nebo demontovat tak, aby se minimalizoval dopad na životní prostředí. Elektrické a elektronické výrobky jsou potenciálně nebezpečné pro životní prostředí a lidské zdraví, protože obsahují nebezpečné látky. Více informací získáte u svých místních nebo krajských úřadů.</p>
---	---

POZNÁMKA:

Následující text popisuje, jak snížit celkový dopad na životní prostředí (např. spotřebu energie) při vaření.

- (1) Instalujte odsavač na správném místě s účinným větráním.
- (2) Pravidelně čistěte odsavač, aby nedošlo k zablokování průtoku vzduchu.
- (3) Nezapomeňte po dokončení vaření vypnout osvětlení odsavače.
- (4) Nezapomeňte odsavač po dokončení vaření vypnout.

POKYNY PRO DEMONTÁŽ

Spotřebič rozebírejte pouze způsobem, který je zobrazen v uživatelské příručce. Spotřebič nesmí demontovat uživatel. Po skončení životnosti se spotřebič nesmí likvidovat s domovním odpadem. Informace o recyklaci vám poskytne místní úřad nebo maloobchodní prodejce.

**RMB9800/1IN, RMB9600/1IN,
HMB9600/1X, HMB6600/1X**

**Digestor
Návod na použitie**

OBSAH

1. Bezpečnostné pokyny	59
2. Inštalácia	61
3. Prvé použitie digestora.....	64
4. Riešenie problémov	65
5. Údržba a čistenie	65
6. Ochrana životného prostredia	70

BEZPEČNOSTNÉ POKYNY

Táru príručka objasňuje správnu inštaláciu a používanie digestora, pred použitím si ju dôkladne prečítajte, aj keď ste sa už s výrobkom oboznámili. Príručku treba uchovávať na bezpečnom mieste, aby ste si ju v prípade potreby mohli opäť prečítať.

Nikdy sa:

- Nepokúšajte používať digestor bez filtrov na zadržiavanie mastnoty alebo ak sú filtre nadmerne znečistené!
- Neinštalujte zariadenie nad vyvýšený gril.
- Nenechávajte panvice bez dozoru počas vyprážania, pretože prehriate tuky alebo oleje sa môžu vznietiť.
- Nikdy nenechávajte pod digestorom horieť nezakryté plamene.



- Ak je digestor poškodený, nepoužívajte ho.
- Nikdy pod digestorom nevlambujte.
- **POZOR:** Prístupné časti sa pri používaní s prostriedkami na varenie môžu nahriať.
- Minimálna vzdialenosť medzi nosným povrchom pre varné nádoby na platni a najnižšou časťou digestora. (Ak je digestor umiestnený nad plynovým spotrebičom, vzdialenosť musí byť najmenej 65 cm)
- Vzduch sa nesmie odvádzať do komína, ktorý sa používa na odvádzanie výparov zo zariadení, ktoré spaľujú plyn alebo iné palivá.



Zakaždým:

- **Dôležité!** Počas inštalácie a údržby, ako napr. výmena žiarovky, vždy vypnite napájanie z elektrickej siete.
- Digestor musíte nainštalovať v súlade s pokynmi na inštaláciu a pri dodržaní všetkých meraní.
- Všetky inštalačné práce musí vykonať kompetentná osoba alebo spôsobilý elektrikár.
- Obalový materiál dôkladne zlikvidujte. Môže spôsobiť deťom zranenie.
- Dávajte pozor na ostré hrany vo vnútri digestora, hlavne počas inštalácie a pri čistení.
- Ak je digestor umiestnený nad plynovým zariadením, minimálna vzdialenosť medzi nosným povrchom pre varné nádoby na platni a najnižšou časťou digestora musí byť:
Plynové sporáky: 75 cm
Elektrické sporáky: 65 cm
Pece na uhlie alebo olej: 75 cm
- Ubezpečte sa, že potrubné vedenie nemá kolená s uhlom ostrejšim než 90 stupňov, pretože by došlo k zníženiu účinnosti digestora.
- **Varovanie:** Ak skrutky alebo upevňovacie zariadenia nenainštalujete podľa týchto pokynov, môže dôjsť k nebezpečenstvu spôsobenému elektrickým prúdom.

Zakaždým:

- Zakaždým prii varení na plynovom sporáku zakryte hrnce a panvice vekom.
- V režime odsávanie dochádza k odsávaniu vzduchu z miestnosti digestorom. Ubezpečte sa, že sú dodržané správne opatrenia na vetranie. Digestor odvádza z miestnosti pachy, ale nie paru.
- Počas používania digestora súčasne so zariadeniami, ktoré spaľujú plyn alebo iné palivá, treba mať dostatočné vetranie miestnosti.
- Digestor je určený len na používanie v domácnosti.



- Ak došlo k poškodeniu napájacieho kábla, musí ho vymeniť výrobca, jeho servisný zástupca alebo podobne spôsobilá osoba, aby nedošlo k nebezpečenstvu.
- Toto zariadenie môžu používať deti staršie než 8 rokov a osoby so zníženými telesnými, zmyslovými alebo duševnými schopnosťami alebo s nedostatkom skúseností a znalostí, len ak sú pod dozorom alebo dostali pokyny o používaní zariadenia bezpečným spôsobom a ak rozumejú nebezpečenstvám s ním súvisiace. Deti sa nesmú hrať s prístrojom. Čistenie a užívateľskú údržbu nesmú vykonávať deti bez dozoru.



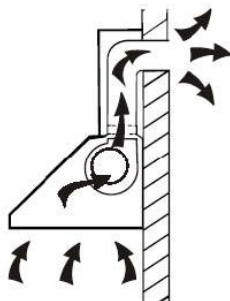
- Varovanie: Predtým, ako sa dostanete ku koncovkám, musia byť všetky napájacie obvody odpojené.

Zakaždým:

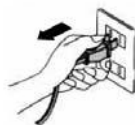
- Pozor: Prístroj a prístupné časti sa môžu počas prevádzky nahriať. Dajte si pozor, aby ste sa nedotkli vyhrievacích článkov. Deti mladšie než 8 rokov by sa pri prístroji nemali zdržiavať vôbec, ak nie sú pod neustálym dohľadom.
- Počas používania digestora súčasne so zariadeniami, ktoré spaľujú plyn alebo iné palivá, treba mať dostatočné vetranie miestnosti.
- Ak sa čistenie nevykonáva v súlade s pokynmi, existuje riziko požiaru.
- Musíte dodržiavať predpisy o odvádzaní vzduchu.
- Prístroj čistite pravidelne spôsobom opísaným v kapitole ÚDRŽBA.
- Z bezpečnostných dôvodov výlučne používajte tú istú veľkosť upevňovacej alebo montážnej skrutky, ktorá sa odporúča v tomto návode na používanie.
- Podrobnosti o spôsobe a častosti čistenia si prečítajte v časti o údržbe a čistení v tomto návode na používanie.
- Čistenie a používateľskú údržbu nesmú vykonávať deti bez dozoru.
- Keď sa súčasne používa digestor a iné zariadenia napájané iným zdrojom energie než elektrina, negatívny tlak v miestnosti nesmie presiahnuť 4 Pa (4 x 10 – 5 barov).

INŠTALÁCIA (EXTERNÉ VETRANIE)

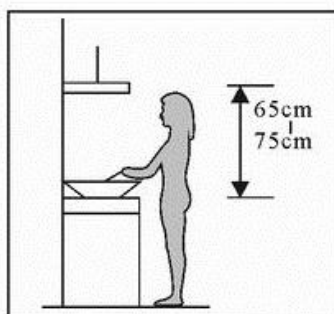
Ak máte spravený vývod vonku, digestor môžete pripojiť ako je zobrazené na obrázku dole s pomocou odsávacieho potrubia (smalt, hliník, ohybná rúra alebo nehorľavý materiál s vnútorným priemerom 150/120mm)



1. Prístroj pred inštaláciou vypnite a odpojte od siete.

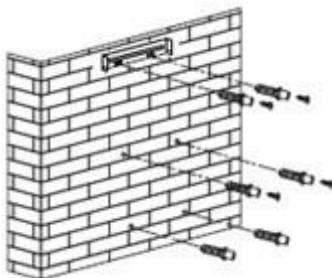


2. Digestor treba na dosiahnutie najlepšieho účinku umiestniť 65~75cm nad varnú dosku.

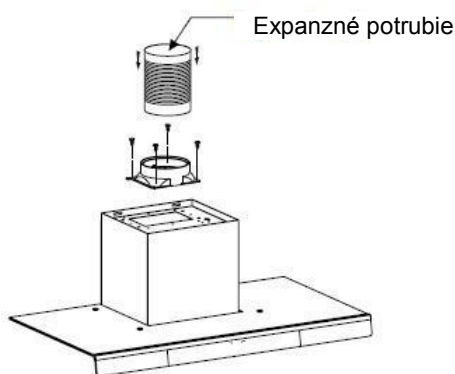


Pic 1

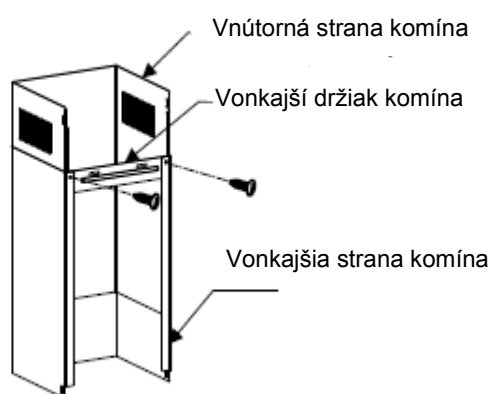
3. Háčik nainštalujte na vhodné miesto po stanovení výšky inštalácie a postarajte sa o to, aby bol v rovine. Pevná poloha vnútorného držiaka komína je v komíne. Pozri obr. 2.



4. Upevnite vonkajší držiak komína na vonkajšej strane komína a ubezpečte sa, či sa v ňom môže výška vnútorného komína voľne nastavovať, ako aj upevniť expanzné potrubie. Potom na digestor nainštalujte expanzné potrubie a komín. Pozri obr. 3/obr. 4.

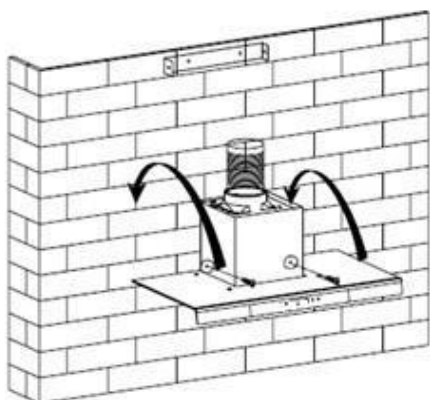


PIC-3

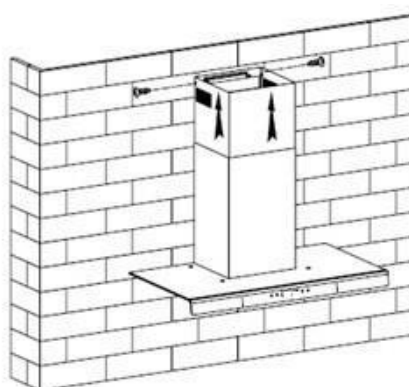


PIC-4

4. Zaveste digestor na háčik. Pozri obr. 5.



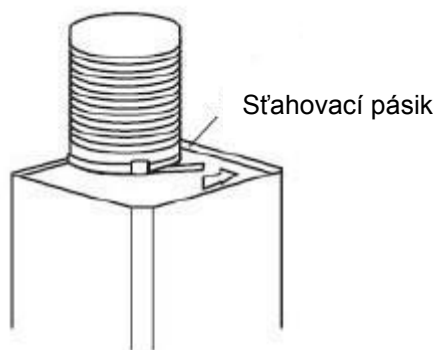
PIC-5



PIC-6

5. Prispôbte výšku vnútornej strany komína k polohe vnútorného držiaka komína a upevnite ho naň pomocou skrutky, po nastavení polohy upevnite korpus bezpečnostnou skrutkou. Pozri obr. 6.

Poznámka: Dva bezpečnostné otvory s priemerom 6mm sú umiestnené na zadnej strane krytu. Vložte expanzné potrubie do otvoru v stene. Pripevnite expanzné potrubie sťahovacím páskom (1) k otvoru na stene v prípade, že ide o potrubie z hliníkovej fólie.

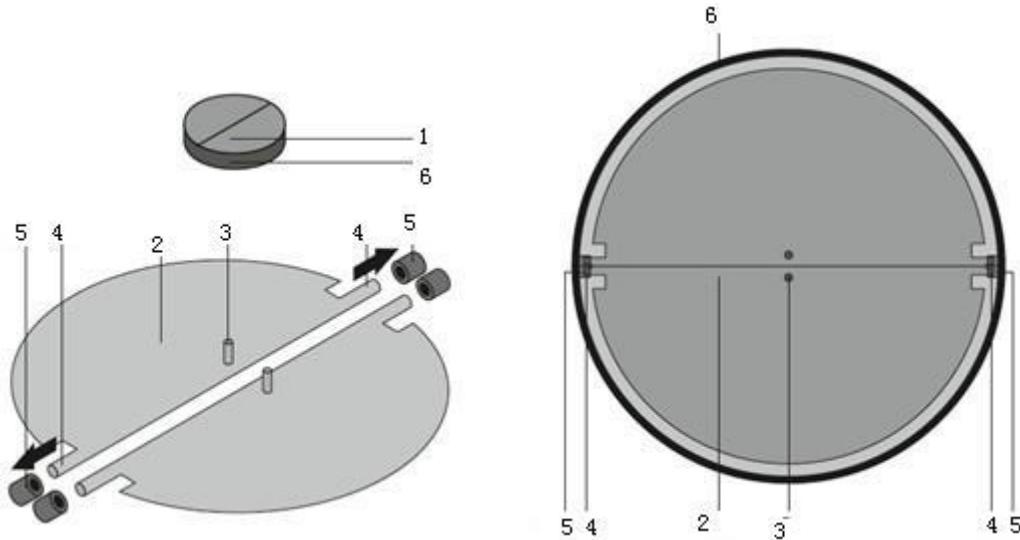


MONTÁŽ KLAPKY (Voliteľné)

Ak nemá digestor namontovanú klapku 1, mali by ste k nemu primontovať obe polovice klapky.

Na montáž klapky 1, by ste mali:

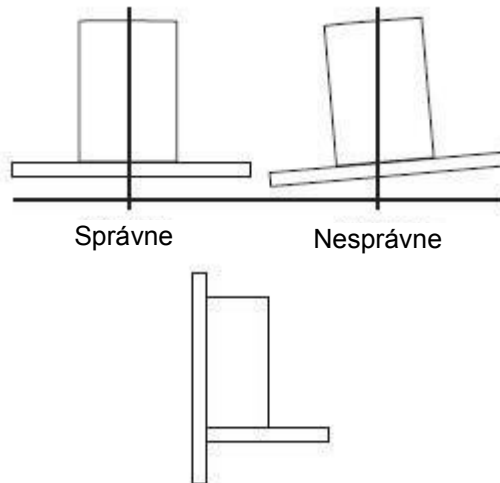
- nainštalovať dve polovice klapky 2 do korpusu 6,
- kolík 3 by mal smerovať nahor,
- os 4 by mala byť vložená do otvorov 5 na korpuse,
- všetky úkony zopakujte aj v prípade 2. polovice klapky.




TIPY NA INŠTALÁCIU ODSÁVACIEHO POTRUBIA

Aby bolo odsávanie optimálne, je potrebné prísne dodržiavať nasledujúce pravidlá:

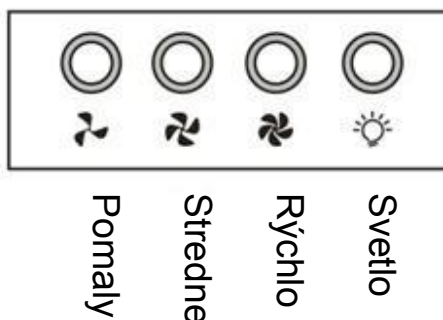
- Dbajte na to, aby bolo odsávacie potrubie krátke a narovnané.
- Nezmenšujte veľkosť odsávacieho potrubia, ani ho nezužujte.
- Pri používaní odsávacieho potrubia ho vždy napnite, aby sa zminimalizovala strata tlaku.
- V prípade, že tieto základné pokyny nedodržíte, bude to viesť k zníženiu funkcie a nárastu úrovne hluku digestora.
- Všetky inštalačné práce musí vykonať spôsobilý elektrikár alebo kompetentná osoba.
- Vedenie digestora nepripájajte k nijakému existujúcemu ventilačnému systému, ktoré používa ktorékoľvek iné zariadenie, ako napríklad potrubie ohrievača, plynové potrubie či potrubie sušiča.
- Uhol kolena expanzného potrubia by nemal byť menší než 120°, potrubie musíte nasmerovať vodorovne alebo by malo ísť nahor od východiskového bodu a malo by viesť k vonkajšej stene.
- Po inštalácii skontrolujte, či je digestor v rovine, aby sa mastnota nezberala len na jednom konci.
- Skontrolujte, či expanzné potrubie, ktoré bolo na inštaláciu vybrané, spĺňa príslušné normy a či spomaľuje horenie.



<p>VAROVANIE:</p> 	<ul style="list-style-type: none"> ➤ Z bezpečnostných dôvodov výlučne používajte tú istú veľkosť upevňovacej alebo montážnej skrutky, ktorá sa odporúča v tomto návode na používanie. ➤ Ak skrutky alebo upevňovacie zariadenie nenainštalujete podľa týchto pokynov, môže dôjsť k riziku zásahu elektrickým prúdom.
--	--

Prvé použitie digestora **Elektronické tlačidlo**

1. Zapnite prístroj, trikrát zapípa alarm. Tento zvuk znamená, že je prístroj zapnutý.
2. Stlačte spodné tlačidlo, indikačné svetlo č. 1 sa rozsvieti, alarm jedenkrát zapípa a motor sa spustí pri nízkej rýchlosti. Znova ho stlačte a motor sa zastaví.
3. Stlačte spodné tlačidlo, indikačné svetlo č. 2 sa rozsvieti, alarm jedenkrát zapípa a motor sa spustí pri strednej rýchlosti. Znova ho stlačte a motor sa zastaví.
4. Stlačte horné tlačidlo, indikačné svetlo č. 3 sa rozsvieti, alarm jedenkrát zapípa a motor sa spustí pri vysokej rýchlosti. Znova ho stlačte a motor sa zastaví.
5. Stlačte tlačidlo osvetlenia, indikačné svetlo 4 sa rozsvieti a zapnú sa obe svietidlá. Znova ho stlačte a svietidlá sa vypnú, s každým ďalším stlačením alarm jedenkrát zapípa.



RIEŠENIE PROBLÉMOV

Porucha	Možná príčina	Riešenie
Svetlo svieti, ale nefunguje motor	Vypínač ventilátora sa vypne	Zvoľte polohu vypínača ventilátora.
	Vypínač ventilátora nefunguje	Obráťte sa na servisné stredisko.
	Motor nefunguje	Obráťte sa na servisné stredisko.
Osvetlenie nefunguje, motor nefunguje	Domové poistky sú vyhodnené	Zapnite/Vymeňte poistky.
	Sieťový kábel je uvoľnený alebo odpojený	Znovu pripojte kábel do elektrickej zásuvky. Zapnite elektrickú zásuvku.
Únik oleja	Jednocestný ventil a prívod ventilácie vzduchu nie sú správne utesnené.	Dajte jednocestný ventil dolu a utesnite ho tmelom.
	Únik zo spoja v tvare U s krytom	Dajte dolu spoj v tvare U a utesnite ho.
Svetlá nefungujú.	Poškodené/chybné žiarovky	Vymeňte žiarovky podľa tohto postupu.
Nedostatočné nasávanie.	Vzdialenosť medzi digestorom a plynovou varnou doskou je príliš veľká	Nastavte digestor do správnej vzdialenosti.
Digestor sa nakláňa	Upevňovacia skrutka nie je dostatočne pritiahnutá	Pritiahnite závesnú skrutku a narovnajte ju.

POZNÁMKA:



Akékoľvek elektrické opravy tohto zariadenia musia spĺňať miestne, národné a federálne zákony. Ak máte pred takýmto úkonom nejaké pochybnosti, obráťte sa na servisné stredisko. Pri otvorení zariadenia ho vždy vypnite zo zdroja napájania.

ÚDRŽBA A ČISTENIE

Pozor:

- Pred údržbou alebo čistením by sa mal digestor odpojiť z napájacieho zdroja. Skontrolujte, či je digestor vypnutý zo zásuvky a či je zástrčka odpojená.



- Vonkajšie povrchy sú náchylné k poškrabaniu a odreniu, preto postupujte podľa pokynov na čistenie, aby bol výsledok čo možno najlepší a aby nedošlo k poškodeniu.

VŠEOBECNÉ INFORMÁCIE

Čistenie a údržbu treba vykonávať vtedy, keď je zariadenie studené, toto platí zvlášť pri čistení. Nenechávajte na povrchu zásadité ani kyslé látky (citrónovú šťavu, ocot atď.).

NEHRDZAVEJÚCA OCEĽ

Nehrdzavejúca oceľ sa musí pravidelne čistiť (napr. raz za týždeň), aby sa zabezpečila dlhá životnosť. Vysušte ju čistou mäkkou utierkou. Je potrebné používať špeciálny čistiaci prostriedok na nehrdzavejúcu oceľ.

POZNÁMKA:

Nehrdzavejúcu oceľ utierajte pozdĺž štruktúry, aby sa predišlo nepekným križujúcim škrabancom.

POVRCH OVLÁDACIEHO PANELA

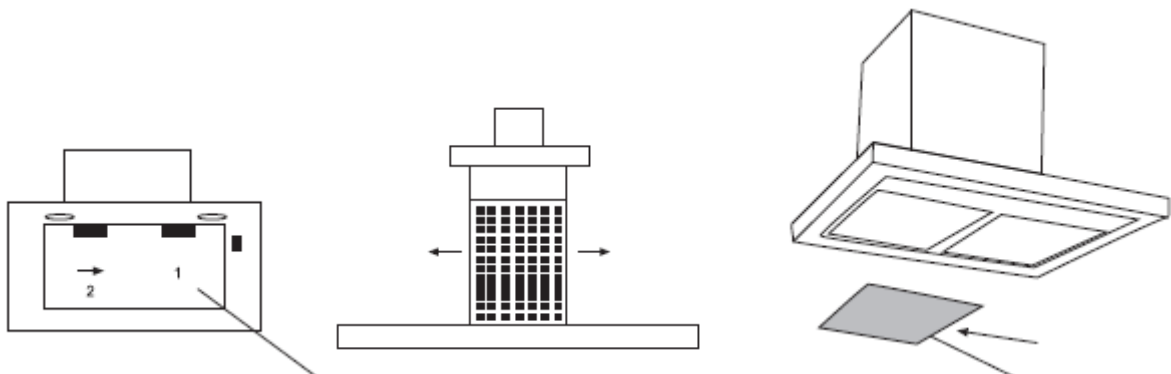
Vstavaný ovládací panel sa môže čistiť pomocou teplej mydlovej vody. Pred čistením skontrolujte, či je utierka čistá a dobre vyžmýkaná. Na odstránenie akejkoľvek vlhkosti ponechanej po čistení používajte suchú mäkkú utierku.

Dôležité

Používajte neutrálne čistiace prostriedky a vyhnite sa agresívnym čistiacim chemikáliám, silným domácim čistiacim prostriedkom alebo produktom s obsahom abrazívnych látok, pretože by to mohlo mať vplyv na vzhľad zariadenia a potenciálne odstrániť tlačnú predlohu na ovládacom paneli, čo by viedlo k strate platnosti záruky od výrobcu.

Mriežkový filter proti mastnote

Mriežkové filtre sa dajú čistiť ručne alebo v umývačke riadu. Po čistení pred vložením späť do digestora skontrolujte, či sú filtre úplne suché.



- Ručné čistenie: Namočte ich na 3 minúty do vody s čistiacim prostriedkom rozpúšťajúcim mastnotu, potom ho jemne vykefujte mäkkou kefkou. Nevyvíjajte príliš silný tlak, aby ste ich nepoškodili. (Nechajte ich voľne vysušiť mimo priameho slnečného svetla)
- Čistenie v umývačke: Skontrolujte, či je poloha filtrov taká, aby nebránila vo funkcii rozprašovacieho ramena. Čistenie filtrov v umývačke môže časom viesť k zmene farby vnútornej hliníkovej mriežky, aj keď to nebude mať nijaký vplyv na ich funkciu.

Filtre by sa mali umývať oddelene od riadov a kuchynských potrieb. Odporúča sa nepoužívať leštadlo.

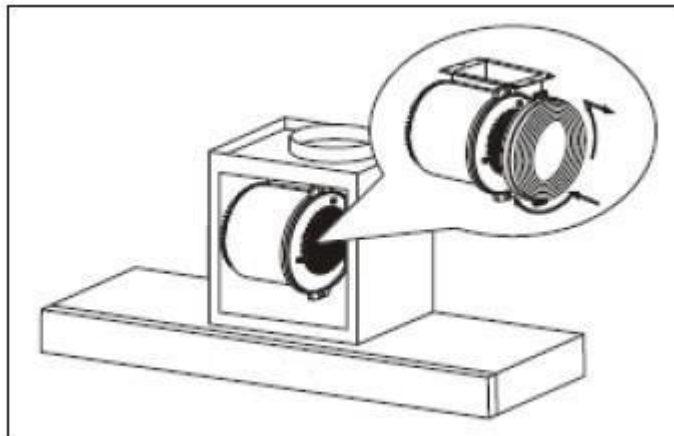
INŠTALÁCIA MRIEŽKOVÉHO FILTRA PROTI MASTNOTE

- Ak chcete nainštalovať filtre, postupujte podľa nasledujúcich štyroch krokov:
 - Nasmerujte filtre do výrezov na zadnej strane digestora.
 - Zatlačte tlačidlo na rukoväti filtra.
 - Keď filter zapadne do správnej polohy, rukoväť uvoľnite.
 - Zopakujte pri všetkých filtroch.

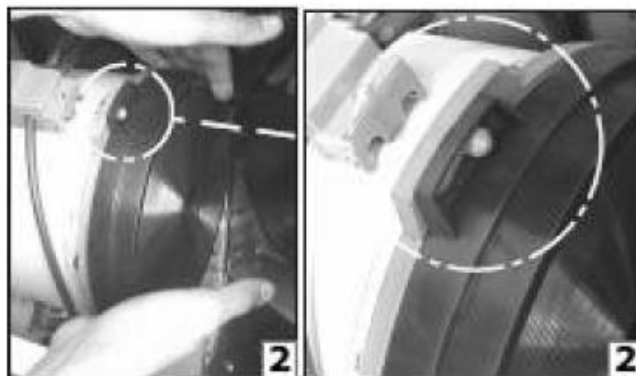
UHLÍKOVÝ FILTER-kupuje sa osobitne

Filter s aktívnym uhlím sa dá používať na zachytávanie pachov. Bežne treba filter s aktívnym uhlíkom meniť každé tri až každých šesť mesiacov, v závislosti od intenzity využívania odsávača. Postup inštalácie filtra s aktívnym uhlíkom je opísaný nižšie.

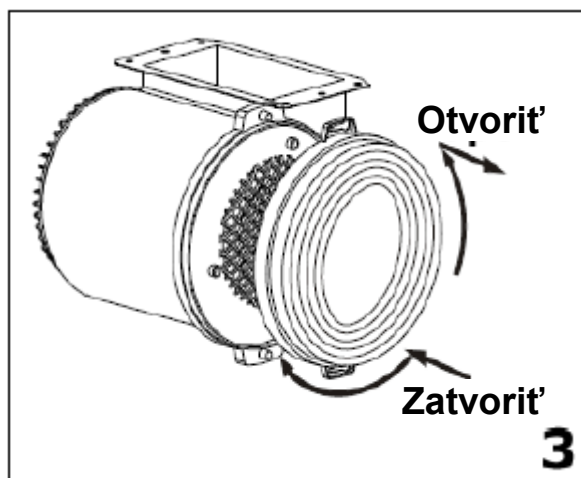
1. Po odpojení panela na prístup k motoru uvidíte motor.



2. Zaveste uhlíkový filter na kolíky, ktoré sa nachádzajú na konci motora.



3. Potočte uhlíkový filter v protismere hodinových ručičiek, kým nezacvakne na svoje miesto.



※**Zopakujte tento postup aj s druhým uhlíkovým filtrom.** Uhlíkový filter musíte umiestniť na jeden koniec motora.


※**Dajte späť panel na prístup k motoru** a celkom utiahnite skrutky, ktoré ste predtým vybrali.

※**Pripojte späť ku korpusu digestora dolnú aj hornú komínovú časť.**

POZNÁMKA:

- Presvedčte sa, že je filter bezpečne zaistený. Ináč by sa mohol uvoľniť a spôsobiť poškodenie.
- Po pripojení filtra s aktívnym uhlím sa zníži sací výkon.

VÝMENA ŽIAROVKY

<p>Dôležité:</p> 	<ul style="list-style-type: none">✧ Žiarovku musí vymeniť výrobca, jeho servisný zamestnanec alebo podobne kvalifikovaná osoba.✧ Pred akýmkoľvek úkonom vždy vypnite napájanie zariadenia. Pri manipulácii so žiarovkou sa pred akýmkoľvek priamym kontaktom s rukou uistite, že žiarovka úplne vychladla.✧ Pri manipulácii so žiarovkou ju držte utierkou alebo rukavicou, aby neprišla do kontaktu s potom, pretože by to mohlo znížiť životnosť žiarovky.
---	--

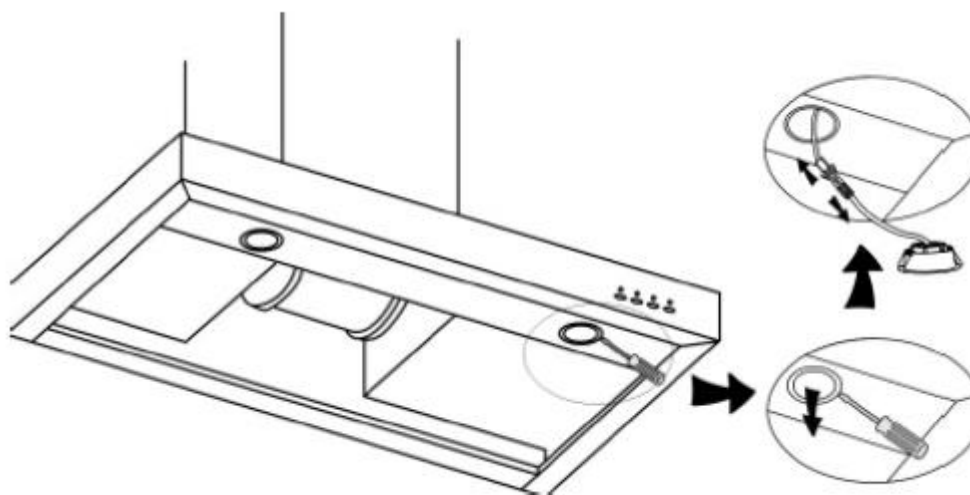
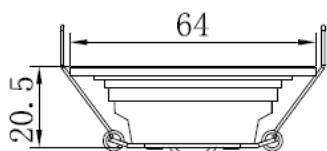
Výmena žiarovky za LED žiarovku

1. Jednotku vypnite a vyťahnite zástrčku.
2. Pred výmenou žiarovky počkajte, kým vychladne.
3. Dajte dolu ochranný filter a pomocou skrutkovača odpojte rám podľa nižšie uvedeného obrázka
4. Vymeňte za ten istý typ žiarovky (max. 2 W LED).

Poznámka: Výmenu svetla môže vykonať jedine spôsobilý servisný personál.

• ILCOS D kód tohto svietidla je: **DBR-2/65-H-64**


- LED moduly – okrúhle svietidlá
- Max. príkon: 2 W
- Rozsah napätia: AC 220 – 240V
- Rozmery:



Dôležité

Pri manipulácii so žiarovkou ju držte utierkou alebo rukavicou, aby neprišla do kontaktu s potom, pretože by to mohlo znížiť životnosť žiarovky.

OCHRANA ŽIVOTNÉHO PROSTREDIA:

	<p>Tento výrobok je označený symbolom o selektívnom triedení odpadu z elektrických zariadení. To znamená, že tento výrobok sa nesmie likvidovať spolu s domácim odpadom, ale sa musí odovzdať v stredisku na zber separovaného odpadu v súlade so smernicou 2012/19/ES. Potom sa recykluje alebo rozoberie s cieľom minimalizovať dopady na životné prostredie, pretože elektrické a elektronické výrobky sú potenciálne nebezpečné pre životné prostredie a ľudské zdravie vzhľadom na nebezpečné látky v nich prítomné. Ak potrebujete viac informácií, obráťte sa na miestne alebo regionálne orgány.</p>
---	--

POZNÁMKA:

Nižšie je uvedené, ako znížiť celkový dopad na životné prostredie (napr. používanie energií) pri procese varenia).

- (1) Digestor nainštalujte na vhodnom mieste, kde je dostatočné vetranie.
- (2) Digestor pravidelne čistite, aby sa neupchal vzduchovod.
- (3) Po skončení varenia vypnite svetlo na digestore.
- (4) Po skončení varenia vypnite digestor.

Informácie o demontáži

Spotrebič nedemontujte ináč ako spôsobom uvedeným v tomto návode na obsluhu. Spotrebič môže demontovať aj používateľ. Spotrebič po skončení životnosti nesmiete likvidovať spolu s domácim odpadom. Rady na recykláciu vám poskytne miestny úrad alebo zberný dvor.

**RMB9800/1IN, RMB9600/1IN, HMB9600/1X,
HMB6600/1X**

**Abzugshaube
Bedienungshandbuch**

VORWORT

1. Sicherheitshinweise 73
2. Installation 75
3. Inbetriebnahme der Abzugshaube 78
4. Fehlerbehebung 79
5. Wartung und Reinigung 80
6. Umweltschutz 85

SICHERHEITSHINWEISE

Dieses Handbuch beschreibt die ordnungsgemäße Installation und die Verwendung der Dunstabzugshaube. Lesen Sie die Bedienungsanleitung daher sorgfältig durch, auch wenn Sie das Produkt bereits kennen. Das Handbuch sollte für zukünftige Nachschlagezwecke gut aufbewahrt werden.

Was Sie auf keinen Fall tun sollten:

- Lassen Sie die Abzugshaube nicht ohne Fettfilter oder wenn diese übermäßig fettig sind laufen!
- Nicht über einem Herd mit hochgelagertem Grill aufhängen.
- Bratpfannen mit heißem Fett nicht unbeaufsichtigt lassen, weil dieses Feuer fangen könnten.
- Kein offenes Feuer unter der Abzugshaube entzünden.



- Abzugshaube außer Betrieb nehmen, wenn sie beschädigt ist.
- Keine Gerichte unter der Abzugshaube flambieren.
- VORSICHT: Es kann sein, dass bestimmte Teile der Abzugshaube beim Kochen heiß werden.
- Den Mindestabstand zwischen Kochfeld unter den Kochtöpfen/-pfannen und Unterteil der Dunstabzugshaube einhalten. (Wird die Abzugshaube über einem Gasherd angebracht, sollte der Abstand mindestens 65 cm betragen.)
- Die Abluft sollte nicht in einen Rauchfang geleitet werden, der auch für die Abgase einer Gas- oder Ölheizung verwendet wird.



Was Sie immer tun sollten:

- Wichtig! Trennen Sie das Gerät vor der Installation und Wartung (Austausch einer Glühbirne) immer von der Stromversorgung.
- Die Abzugshaube muss gemäß der Installationsanleitung aufgehängt und alle Maße müssen eingehalten werden.
- Sämtliche Installationsarbeiten müssen durch einen Fachmann oder qualifizierten Elektriker vorgenommen werden.
- Verpackungsmaterial ordentlich entsorgen. Es kann für Kinder gefährlich werden.
- Bei der Installation und Reinigung auf scharfe Kanten im Inneren der Abzugshaube achten.
- Wird die Abzugshaube über einem Gasherd angebracht, muss der Mindestabstand zwischen Kochtöpfen und Unterteil der Abzugshaube wie folgt sein:

Gasherd:	75	cm
Elektroherd:	65	cm
Mit Kohle oder Öl befeuerte Herde:	75	cm
- Darauf achten, dass der Abluftkanal keine Knicke hat, die 90 Grad überschreiten, da dies die Effizienz der Abzugshaube reduziert.
- Warnung: Werden Schrauben nicht richtig festgezogen oder wird das Gerät nicht gemäß dieser Anleitung eingebaut, können Gefahren durch elektrischen Strom entstehen.

Was Sie immer tun sollten:

- Töpfe und Pfannen beim Kochen auf einem Gasherd immer mit einem Deckel schließen.
- Ist die Abzugshaube eingeschaltet, wird die Raumluft abgesaugt. Achten Sie darauf, dass für eine ausreichende Belüftung gesorgt ist. Die Abzugshaube saugt Gerüche ab, aber keinen Wasserdampf.
- Für ausreichende Belüftung sorgen, wenn die Abzugshaube zusammen mit Geräten betrieben wird, die Gas oder andere Brennstoffe verbrennen.
- Die Abzugshaube ist ausschließlich für den Hausgebrauch bestimmt.



- Wenn das Stromkabel beschädigt ist, muss es vom Hersteller oder von seinem Service-Mitarbeiter, oder einer gleichwertig qualifizierten Person ausgetauscht werden, um jegliches Risiko zu vermeiden.
- Dieses Gerät kann von Kindern ab 8 Jahren und Personen mit eingeschränkten körperlichen, sensorischen oder geistigen Fähigkeiten oder mangelnder Erfahrung und mangelndem Wissen benutzt werden, wenn diese in die sichere Bedienung des Geräts eingewiesen wurden oder beaufsichtigt werden. Kinder dürfen nicht mit dem Gerät spielen. Reinigung und Pflege darf nicht von Kindern ohne Aufsicht erfolgen.



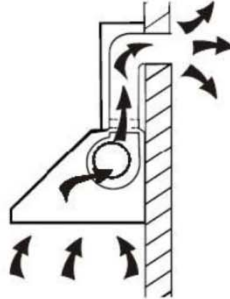
- Warnung: Bevor mögliche Anschlüsse zugänglich werden, müssen sämtliche Stromzuleitungen getrennt werden.

Was Sie immer tun sollten:

- Vorsicht: Das Gerät und zugängliche Teile können während des Betriebs heiß werden. Seien Sie daher vorsichtig, wenn Sie diese Teile berühren müssen. Kinder unter acht Jahren sollten vom Gerät ferngehalten werden, es sei denn, sie werden permanent beaufsichtigt.
- Für ausreichende Belüftung sorgen, wenn die Abzugshaube zusammen mit Geräten betrieben wird, die Gas oder andere Brennstoffe verbrennen.
- Es besteht ein Brandrisiko, wenn die Reinigung nicht entsprechend dieser Anweisungen durchgeführt wird.
- Vorschriften zur Abluft müssen befolgt werden.
- Reinigen Sie das Gerät regelmäßig entsprechend der Anweisungen im Kapitel „WARTUNG“.
- Verwenden Sie aus Sicherheitsgründen für die Montage nur Schrauben in der Größe, die in diesem Handbuch empfohlen wird.
- Eine detaillierte Anweisung zur Reinigung und deren Häufigkeit finden Sie im Abschnitt „Wartung und Reinigung“ im Bedienungshandbuch.
- Reinigung und Pflege darf nicht von Kindern ohne Aufsicht erfolgen.
- Wird die Abzugshaube zusammen mit Geräten betrieben, die nicht durch Strom, sondern durch andere Energiequellen versorgt werden, darf der Unterdruck im Raum 4 Pa (4×10^{-5} bar) nicht übersteigen.

INSTALLATION (ABLUFTHAUBE NACH DRAUSSEN)

Wenn eine Maueröffnung nach draußen vorhanden ist, kann die Abzugshaube wie unten gezeigt über einen Abluftkanal (Emaille, Aluminium, flexibles Rohr aus unbrennbarem Material mit einem Innendurchmesser von 150/120 mm) an diese angeschlossen werden.



1. Schalten Sie vor der Installation das Gerät aus und ziehen Sie den Netzstecker.



2. Die Abzugshaube sollte für eine optimale Leistung 65-75 cm über der Kochfläche aufgehängt werden.

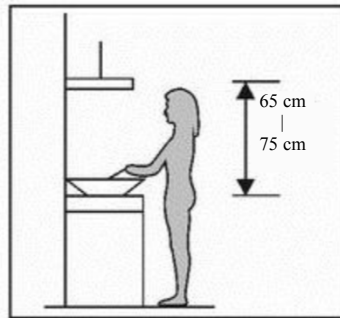
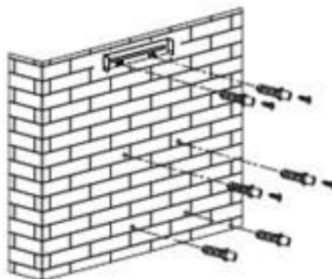
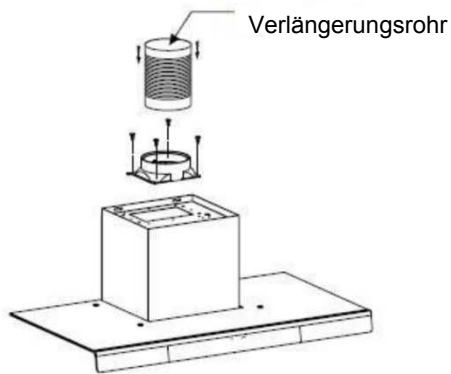


Abb. 1.

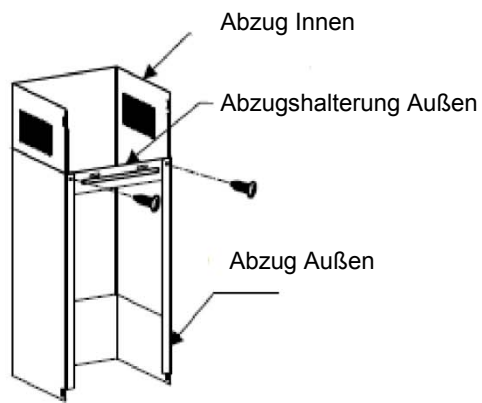
3. Sobald die Montagehöhe festgelegt wurde, montieren Sie den Haken und achten darauf, dass dieser gerade ist. Die feste Position in der Abzughalterung ist der Punkt, an dem der Abzug befestigt wird.
Siehe Abb. 2



4. Befestigen Sie die äußere Abzugshalterung am Außenabzug und achten Sie darauf, dass der Innenabzug höhenverstellbar ist und das Verlängerungsrohr befestigt werden kann. Danach montieren Sie das Verlängerungsrohr und den Abzug an der Abzugshaube.
Siehe Abb. 3/Abb. 4.

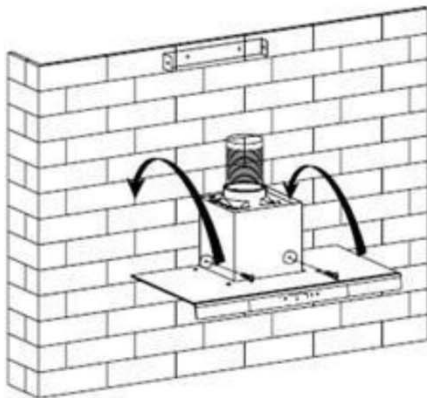


PIC-3

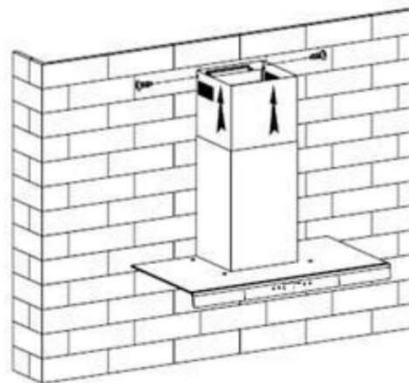


PIC-4

4. Montieren Sie die Abzugshaube am Haken. Siehe Abb. 5

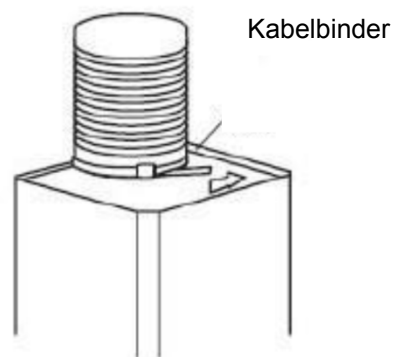


PIC-5



PIC-6

5. Passen Sie die Höhe des Innenabzugs entsprechend der Position der Innenabzug-Halterung an und befestigen Sie ihn mit einer Schraube. Nachdem die Position angepasst wurde, befestigen Sie den Korpus mit der Sicherungsschraube. Siehe Abb. 6
 Anmerkung: Die beiden Sicherheitsventile 6-mm-Durchmesser sind an der Rückseite des Korpus angebracht. Verlegen Sie das Verlängerungsrohr bis zum Wandauslass. Befestigen Sie ein ggf. mit Alufolie umwickeltes Verlängerungsrohr mit dem Kabelbinder (1) am Wandauslass.

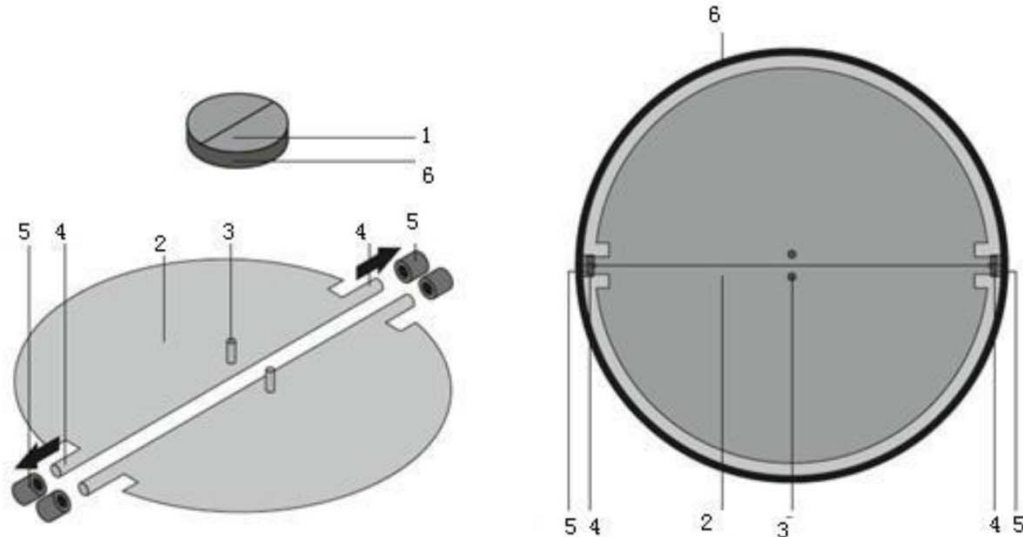


MONTAGE DER V-KLAPPE (Optional)

Wenn die V-Klappe „1“ nicht an der Abzugshaube montiert ist, montieren Sie die Hälften am Korpus.

Vorgehensweise für die Montage der V-Klappe 1:

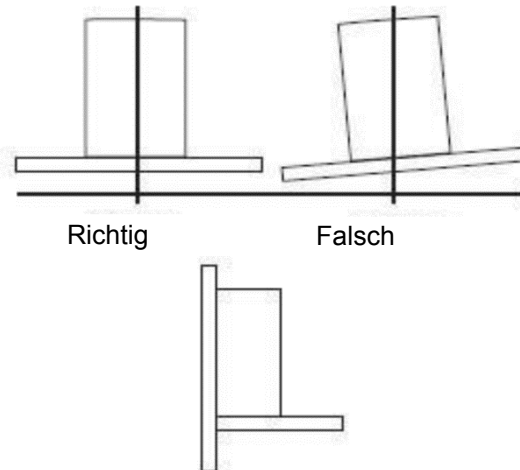
- Montieren Sie die beiden Teile „2“ am Korpus „6“.
- Der Stift „3“ muss nach oben zeigen.
- Die Achse „4“ wird in die Öffnungen „5“ am Korpus eingeführt.
- Wiederholen Sie die Schritte für die zweite Hälfte




TIPPS FÜR DIE MONTAGE DER ABZUGSHAUBE

Die folgenden Regeln müssen für den optimalen Luftabzug strikt befolgt werden:

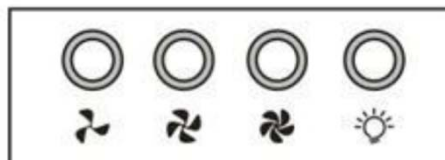
- Das Verlängerungsrohr muss kurz und gerade sein.
- Die Größe des Verlängerungsrohrs nicht verringern oder begrenzen.
- Bei der Verwendung eines Verlängerungsrohrs muss das Rohr während der Installation nach oben gezogen werden, um den Druckverlust zu minimieren.
- Bei Nichtbeachtung dieser grundlegenden Anweisungen verringert sich Leistung der Abzugshaube und die Geräuscentwicklung vergrößert sich.
- Sämtliche Installationsarbeiten müssen durch einen Fachmann oder qualifizierten Elektriker vorgenommen werden.
- Schließen Sie den Abluftkanal der Dunstabzugshaube nicht an vorhandene Lüftungssysteme an, die für andere Geräte verwendet werden, beispielsweise Wärmestrahler, Gasheizung, Ventilator.
- Der Winkel des Verlängerungsrohrs muss mindestens 120 Grad betragen. Das Rohr muss horizontal geführt werden oder vom ersten Anschlusspunkt gerade nach oben und durch die Außenwand.
- Vergewissern Sie sich nach der Montage, dass die Abzugshaube gerade montiert ist, damit sich nicht an einem Ende Fett ansammelt.
- Das für die Montage gewählte Verlängerungsrohr muss den geltenden Normen entsprechen und feuerfest sein.



<p>WARNUNG:</p> 	<ul style="list-style-type: none"> ➤ Verwenden Sie aus Sicherheitsgründen für die Montagen nur Schrauben in der Größe, die in diesem Handbuch empfohlen wird. ➤ Werden Schrauben nicht richtig festgezogen oder wird das Gerät nicht gemäß dieser Anleitung eingebaut, können Gefahren durch elektrischen Strom entstehen.
---	--

Inbetriebnahme der Abzugshaube **Elektronische Taste**

1. Schalten Sie das Gerät ein, der Summer ertönt fünf Mal. Der Ton zeigt an, dass das Gerät eingeschaltet ist.
2. Wenn Sie die untere Taste drücken, leuchtet die Meldelampe „1“, der Summer summt einmal und der Motor läuft mit niedriger Drehzahl. Drücken Sie die Taste erneut; der Motor stoppt.
3. Wenn Sie die mittlere Taste drücken, leuchtet die Meldelampe „2“, der Summer summt einmal und der Motor läuft mit mittlerer Drehzahl. Drücken Sie die Taste erneut; der Motor stoppt.
4. Wenn Sie die obere Taste drücken, leuchtet die Meldelampe „3“, der Summer summt einmal und der Motor läuft mit hoher Drehzahl. Drücken Sie die Taste erneut; der Motor stoppt.
5. Drücken Sie die Licht-Taste; die Meldeleuchte „4“ leuchtet und die beiden Lampen werden eingeschaltet. Drücken Sie erneut und die Lampen erlöschen; mit jedem Tastendruck ertönt der Summer einmal.



Ni	Mi	H	Be
ed	tte	oc	le
rig	l	h	uc

FEHLERBEHEBUNG

FEHLER	Mögliche Ursachen	Lösung
Licht an, aber Motor läuft nicht.	Ventilator ist ausgeschaltet.	Lüftergeschwindigkeit auswählen.
	Lüfterschalter defekt.	Kundendienstzentrum kontaktieren.
	Motor läuft nicht.	Kundendienstzentrum kontaktieren.
Licht und Motor funktionieren nicht.	Stromsicherung ist durchgebrannt.	Sicherungen wieder einschalten/austauschen.
	Stromkabel ist lose oder nicht angeschlossen.	Kabel wieder in die Steckdose stecken. Stromversorgung einschalten.
Es tritt Öl aus.	Rückschlagventil und Auslass sind nicht richtig abgedichtet.	Rückschlagventil abnehmen und mit Dichtmaterial abdichten.
	Verbindung am U-Abschnitt ist undicht.	Den U-Abschnitt abnehmen und abdichten.
Licht funktioniert nicht.	Defekte/fehlerhafte Glühbirnen	Glühbirnen gemäß dieser Anweisung austauschen.
Absaugen nicht stark genug.	Abstand zwischen Abzugshaube und Kochfeld ist zu groß.	Abzugshaube erneut mit dem richtigen Abstand anbringen.
Abzugshaube hängt herunter.	Befestigungsschraube ist nicht fest.	Schraube anziehen, sodass die Abzugshaube wieder gerade hängt.



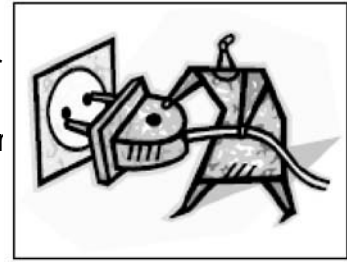
HINWEIS:

Alle elektrischen Reparaturen dieses Geräts müssen der geltenden regionalen und bundesweiten Gesetzgebung (VDE-Vorschriften) entsprechen. Wenn Sie Zweifel haben, kontaktieren Sie den Kundendienst, bevor Sie die vorstehenden Maßnahmen durchführen. Gerät immer zuerst von der Stromversorgung trennen, bevor das Gehäuse geöffnet wird.

WARTUNG UND REINIGUNG

Vorsicht:

- Vor der Wartung oder Reinigung die Abzugshaube von der Stromversorgung trennen. Überprüfen Sie, ob die Abzugshaube ausgeschaltet ist und ob der Stecker aus der Steckdose gezogen ist.



- Da die äußeren Oberflächen empfindlich für Kratzer sind, befolgen Sie diese Reinigungshinweise für ein optimales Ergebnis ohne Beschädigungen.

ALLGEMEINES

Die Reinigung und Wartung sollte erfolgen, wenn das Gerät abgekühlt ist. Keine Alkali- oder säurehaltigen Mittel (Zitronensaft, Essig usw.) auf der Oberfläche hinterlassen.

EDELSTAHL

Die Oberfläche aus Edelstahl muss regelmäßig (z. B. wöchentlich) gereinigt werden, damit sie lange hält. Mit einem weichen Tuch abtrocknen. Es kann ein spezieller Edelstahlreiniger verwendet werden.

HINWEIS:

Wischen Sie immer in der Richtung der Körnung des Edelstahls, sodass keine unschönen Kratzmuster entstehen.

OBERFLÄCHE DES BEDIENFELDS

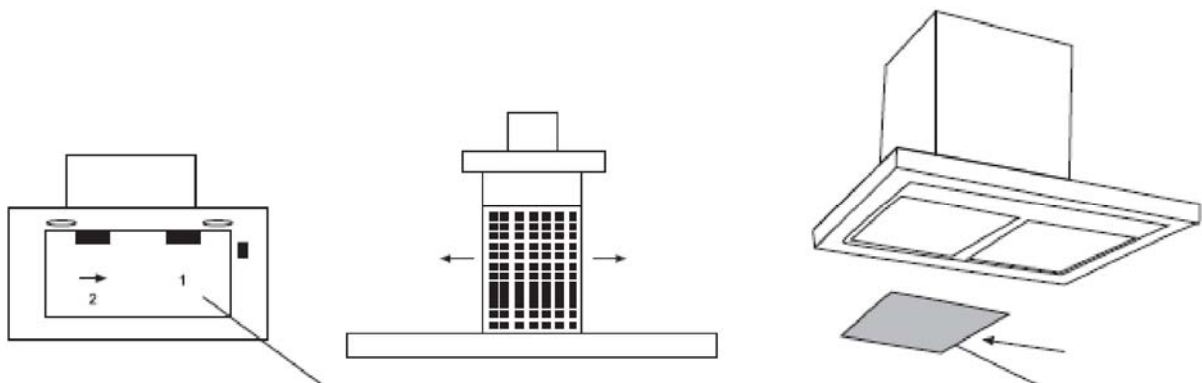
Das eingelassene Bedienfeld kann mit warmem Seifenwasser gereinigt werden. Das saubere Tuch vor dem Reinigen gut ausdrücken. Restliche Feuchtigkeit mit einem weichen trockenen Tuch abreiben.

Wichtig

Verwenden Sie neutrale Reinigungsmittel und keine aggressiven Chemikalien oder Scheuermittel, da diese das Aussehen des Geräts verändern und Aufdrucke entfernen können. Außerdem verfällt dadurch die Garantie des Herstellers.

FETTFILTER

Die Netzfilter können von Hand oder mit Geschirrspülmittel gereinigt werden. Die Filter nach der Reinigung und vor dem Einsetzen vollständig abkühlen lassen.



- Von Hand: Filter in Wasser mit fettlösendem Reiniger eintauchen und zirka drei Minuten

lang wirken lassen. Dann vorsichtig mit einer weichen Bürste abbürsten. Nicht zu viel Druck ausüben, da dies die Filter beschädigen kann. (An der Luft, nicht in direktem Sonnenlicht, trocknen lassen.)

- In einer Geschirrspülmaschine: Die Filter so platzieren, dass die Sprüharme der Geschirrspülmaschine nicht behindert werden. Durch die Reinigung der Filter in der Geschirrspülmaschine kann sich das Aluminiumnetz im Laufe der Zeit verfärben, was jedoch keine nachteilige Auswirkung auf die Leistung hat.

Filter sollten getrennt von anderen Küchenutensilien gereinigt werden. Eine Verwendung von Klarspüler wird nicht empfohlen.

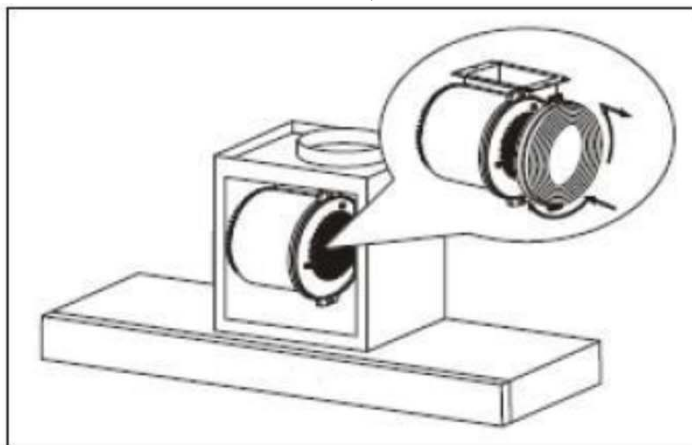
EINSETZEN DER FETTFILTER

- So setzen Sie die Filter in vier Schritten ein:
 - Setzen Sie die Filter in die Schlitze an der Rückseite der Abzugshaube ein.
 - Drücken Sie auf den Knopf am Filtergriff.
 - Lassen Sie den Griff los, sobald sich der Filter in der richtigen Position befindet.
 - Setzen Sie alle Filter auf diese Weise ein.

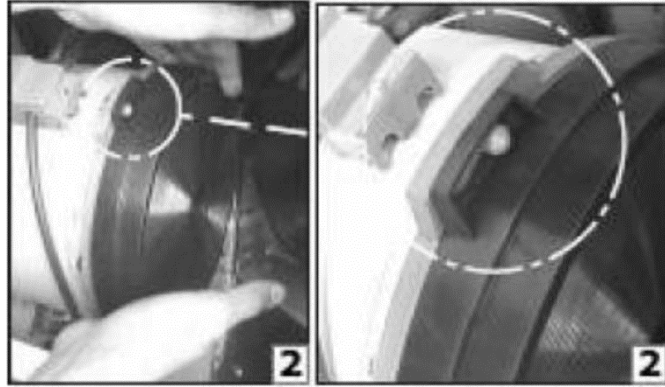
Aktivkohlefilter müssen separat erworben werden.

Aktivkohlefilter schließen unangenehme Gerüche ein. Normalerweise sollte ein Aktivkohlefilter entsprechend der Kochgewohnheiten alle drei bis sechs Monate gewechselt werden. Den Aktivkohlefilter wie folgt einsetzen:

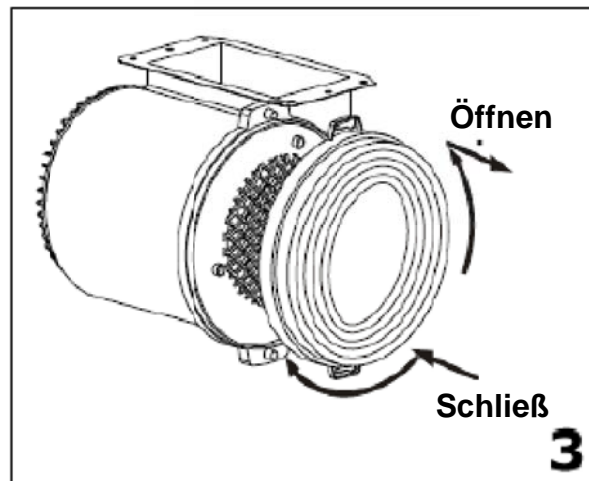
1. Nachdem das Motorschutzblech entfernt wurde, können Sie den Motor sehen.



2. Haken Sie die Aktivkohlefilter an den Stiften am Ende des Motors ein.



3. Drehen Sie den Aktivkohlefilter gegen den Uhrzeigersinn, bis er einrastet.



※ Wiederholen Sie den Vorgang für den zweiten Aktivkohlefilter. Sie müssen an jedem Motorende einen Aktivkohlefilter einsetzen.


※ Setzen Sie das Motorschutzblech wieder ein und verschrauben Sie es mit den zuvor gelösten Schrauben.

※ Montieren Sie die oberen unteren Abzugsabschnitte wieder am Hauptkorpus der Abzugshaube.

HINWEIS:

- Prüfen Sie, ob der Filter sicher verankert ist. Anderenfalls kann er herausfallen und gefährliche Unfälle verursachen.
- Bei Verwendung eines Aktivkohlefilters wird die Absaugkraft herabgesetzt.

AUSTAUSCH DER LEUCHTMITTEL

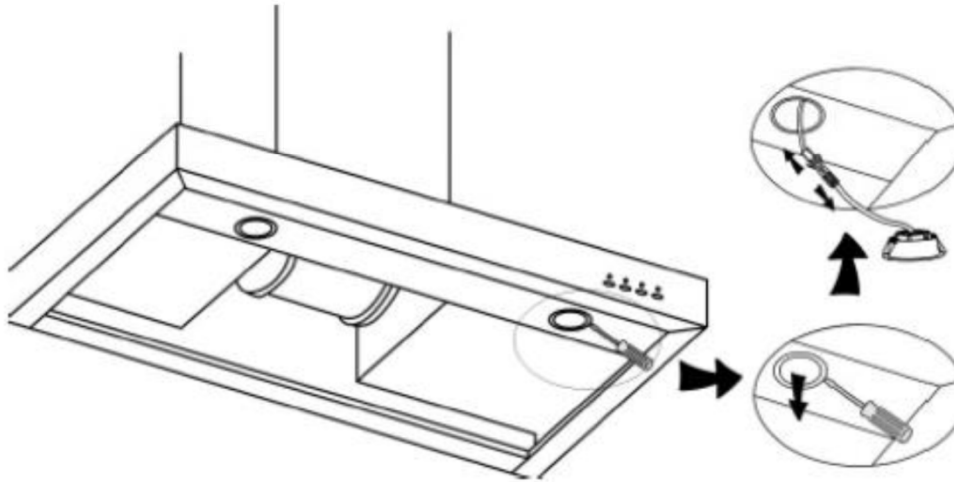
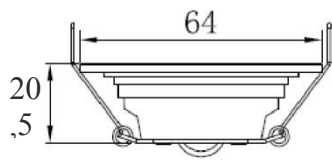
<p>Wichtig:</p> 	<ul style="list-style-type: none">✧ Die Lampe muss durch den Hersteller, seinen Kundendienstmitarbeiter oder ähnlich qualifizierte Fachleute ausgetauscht werden.✧ Gerät immer von der Stromversorgung trennen, bevor Reinigungs-, Wartungs- oder Reparaturarbeiten am Gerät durchgeführt werden. Leuchtmittel vor dem Entfernen vollständig abkühlen lassen, bevor sie angefasst wird.✧ Leuchtmittel mithilfe eines Tuchs oder mit Handschuhen wechseln, damit kein Schweiß damit in Berührung kommt. Dies kann die Lebensdauer der Lampe verkürzen.
---	---

Austausch eines LED-Leuchtmittels (Hochdruck)

1. Vor der Reinigung muss das Gerät ausgeschaltet und der Stecker gezogen werden.
2. Warten Sie vor dem Austausch, bis das Gerät abgekühlt ist.
3. Nehmen Sie den Schallfilter heraus und lösen Sie den Rahmen, wie nachstehend abgebildet, mithilfe eines Schraubendrehers.
4. Tauschen Sie das Leuchtmittel gegen ein Leuchtmittel desselben Typs aus (LED max. 2 W).

Anmerkung: Der Austausch des Leuchtmittels sollte einem qualifizierten Techniker vorbehalten sein.


- ILCOS D Bezeichnung für diese Lampe lautet: DBR-2/65-H-64
- LED-Module – runde Lampe
- Max Wattzahl: 2 W
- Spannungsbereich: AC 220-240 V
- Abmessungen:



Wichtig

Leuchtmittel mit einem Tuch oder mit Handschuhen wechseln, damit kein Schweiß damit in Berührung kommt. Dies kann die Lebensdauer der Lampe verkürzen.

UMWELTSCHUTZ:

	<p>Dieses Produkt ist mit diesem Symbol gekennzeichnet, was bedeutet, dass es nicht mit gewöhnlichem Haushaltsabfall entsorgt werden darf. Stattdessen muss es im Einklang mit der EU-Richtlinie 2012/19/EU über eine Sammelstelle für Elektroabfall entsorgt werden. Es wird dann recycelt oder auseinanderggebaut, um die Schäden so gering wie möglich zu halten, die elektrische Geräte bedingt durch enthaltene Schadstoffe normalerweise für Umwelt und menschliche Gesundheit bedeuten. Weitere Informationen erhalten Sie bei Ihrer örtlichen oder regionalen Behörde.</p>
---	--

HINWEIS:

Im Folgenden wird erläutert, wie die Umwelt durch den Kochvorgang möglichst wenig belastet wird (z. B. Energieverbrauch).

- (1) Die Abzugshaube an einem gut belüfteten Ort installieren.
- (2) Abzugshaube regelmäßig reinigen, sodass die Lüftung nicht blockiert wird.
- (3) Das Licht an der Abzugshaube nach dem Kochen immer ausschalten.
- (4) Abzugshaube nach dem Kochen immer ausschalten.

INFORMATIONEN FÜR EINE DEMONTAGE

Das Gerät nur wie in der Benutzeranleitung beschrieben öffnen oder aufschrauben. Der Verbraucher sollte das Gerät nicht vollständig in seine Einzelteile zerlegen. Am Ende seiner Lebensdauer das Gerät nicht mit dem Hausmüll entsorgen. Informieren Sie sich bei der örtlichen Behörde oder beim Abfallentsorger, wie Ihr Gerät entsorgt werden muss.

**RMB9800/1IN, RMB9600/1IN, HMB9600/1X,
HMB6600/1X**

Afzuigkap

Handleiding

INHOUD

1.	Veiligheidsinstructies	88
2.	Installatie	90
3.	Uw afzuigkap gebruiken	93
4.	Problemen oplossen	94
5.	Onderhoud en reiniging	95
6.	Bescherming van het milieu	101

VEILIGHEIDSINSTRUCTIES

Deze handleiding geeft uitleg hoe u uw afzuigkap op de juiste wijze installeert en gebruikt. Lees de instructies aandachtig voordat u het apparaat gebruikt, zelfs als u met dit product vertrouwd bent. Bewaar de handleiding op een veilige plaats zodat u deze later kunt raadplegen.

Het volgende mag u nooit doen:

- Probeer niet om de afzuigkap zonder de vetfilters te gebruiken, of als de filters bijzonder fettig zijn!
- Niet boven een fornuis installeren met een grill op hoog niveau.
- Laat geen frituurpannen onbeheerd tijdens gebruik; oververhit vet en olie zou vlam kunnen vatten.
- Voorkom open vuur onder de afzuigkap.



- Probeer niet om de afzuigkap toch te gebruiken als deze beschadigd is.
- Niet flamberen onder de afzuigkap.
- **VOORZICHTIG:** Bij gebruik van kooktoestellen kunnen toegankelijke delen heet worden.
- Houd de minimum afstand tussen het steunoppervlak voor kookgerei op het fornuis en de onderkant van de afzuigkap aan. (Wanneer de afzuigkap boven een gasfornuis is aangebracht, moet deze afstand ten minste 65 cm bedragen)
- De lucht mag niet worden afgevoerd via een kanaal dat wordt gebruikt voor uitlaatgassen van toestellen die gas of andere brandstoffen verbranden.



Het volgende moet u altijd doen:

- **Belangrijk!** Schakel de netvoeding altijd uit tijdens installatie of onderhoud, bijvoorbeeld wanneer u een lampje moet vervangen.
- De afzuigkap moet worden geïnstalleerd in overeenstemming met de installatie-instructies en alle maten moeten worden aangehouden.
- Alle installatiewerkzaamheden moeten door een vakbekwame persoon of gekwalificeerde elektricien worden uitgevoerd.
- Voer de verpakking op de juiste manier af. Deze kan bij kinderen verwondingen veroorzaken.
- Let op voor scherpe randen binnenin in de afzuigkap, vooral tijdens het installeren en het schoonmaken.
- Wanneer de afzuigkap zich boven een gastoestel bevindt, moet de minimale afstand tussen het steunoppervlak voor kookgerei op het fornuis en de onderkant van de afzuigkap als volgt zijn:
Gasfornuizen: 75 cm
Elektrische fornuizen: 65 cm
Fornuizen op kolen of olie: 75 cm
- Zorg ervoor dat de bochten in de buizen maximaal 90 graden zijn, omdat de afzuigkap anders minder efficiënt is.
- **Waarschuwing:** Wanneer de schroeven of de bevestiging niet volgens deze instructies zijn aangebracht, kan dit elektrische gevaren met zich meebrengen

Het volgende moet u altijd doen:

- Doe altijd het deksel op de potten en pannen wanneer u op een gasfornuis kookt.
- Wanneer het apparaat in de afzuigstand staat, wordt de lucht in de kamer door de afzuigkap weggezogen. Zorg ervoor dat de juiste ventilatiemaatregelen worden nageleefd. De afzuigkap verwijdert geuren uit de kamer, maar geen stoom.
- Zorg voor voldoende ventilatie van de ruimte wanneer de afzuigkap gelijktijdig wordt gebruikt met toestellen die gas of andere brandstoffen verbranden.
- De afzuigkap is uitsluitend bedoeld voor huishoudelijk gebruik.



- Als het voedingskabel beschadigd is, moet het worden vervangen door de fabrikant, diens vertegenwoordiger of vergelijkbaar gekwalificeerde personen om gevaar te voorkomen.
- Dit apparaat mag worden gebruikt door kinderen vanaf 8 jaar en door personen met verminderde lichamelijke, zintuiglijke of geestelijke vermogens of met een gebrek aan ervaring en kennis, mits deze onder geschikt toezicht staan of instructies hebben gekregen over een veilig gebruik van het apparaat en ze de eventuele gevaren van gebruik begrijpen. Kinderen mogen niet met het apparaat spelen. Het schoonmaken en het onderhoud mag niet door kinderen worden uitgevoerd als er geen toezicht is.



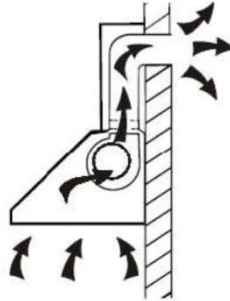
- Waarschuwing: Alle voedingscircuits worden losgekoppeld voordat er toegang wordt verschaft tot de aansluitpunten.

Het volgende moet u altijd doen:

- Voorzichtig: Tijdens gebruik kunnen het apparaat en de toegankelijke delen ervan erg heet worden. Let op wanneer u de verwarmingselementen aanraakt. Kinderen jonger dan 8 jaar moeten uit de buurt blijven, tenzij er voortdurend toezicht is.
- Zorg voor voldoende ventilatie van de ruimte wanneer de afzuigkap gelijktijdig wordt gebruikt met toestellen die gas of andere brandstoffen verbranden.
- Er bestaat brandgevaar als de reiniging niet conform de instructies wordt uitgevoerd.
- Houd u aan de voorschriften ten aanzien van de luchtafvoer.
- Reinig uw apparaat regelmatig volgens de methode die in het hoofdstuk ONDERHOUD is beschreven.
- Vanwege de veiligheid mag u uitsluitend het formaat bevestigings- of montageschroeven gebruiken, die in deze handleiding worden aanbevolen.
- Raadpleeg het hoofdstuk over onderhoud en de reiniging voor meer informatie over reinigingsmethode en -frequentie.
- Het schoonmaken en het onderhoud mag niet door kinderen worden uitgevoerd als er geen toezicht is.
- Wanneer de afzuigkap en apparaten die met andere energie dan elektriciteit worden gevoed tegelijkertijd in werking zijn, mag de onderdruk in de ruimte niet meer bedragen dan 4 Pa (4×10^{-5} bar).

INSTALLATIE (ONTLUCHTING BUITEN)

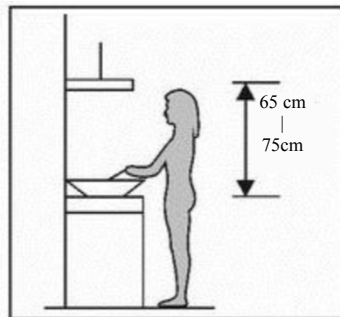
Als u een afvoer naar buiten hebt, kunt u uw afzuigkap aansluiten met behulp van een afzuigkanaal (email, aluminium, flexibele buis of onbrandbaar materiaal met een binnendiameter van 150/120 mm), zoals weergegeven in onderstaande afbeelding.



1. Voordat u het apparaat installeert, schakelt u het uit en verwijdert u de stekker uit het stopcontact.

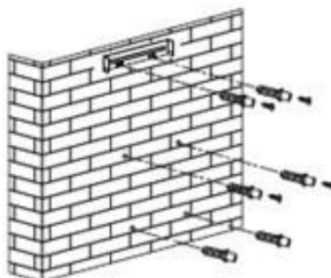


2. Installeer de afzuigkap 65~75 cm boven het kookvlak voor het beste resultaat.



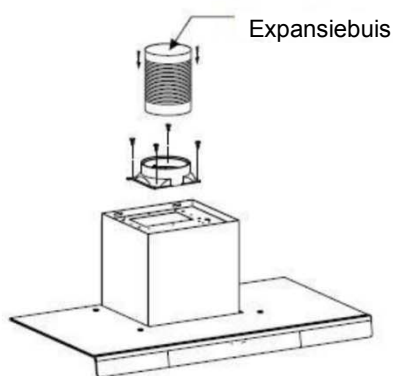
Afb. 1

3. Breng de haak, zodra de installatiehoogte is bepaald, op een geschikte plaats aan en lijn deze uit. De vaste positie van de binnenbeugel in de schacht is de plaats voor de schacht.
Zie afb. 2.

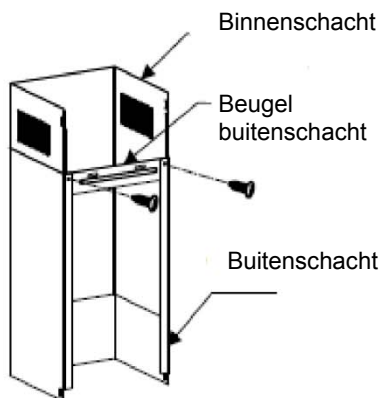


4. Bevestig de buitenbeugel van de schacht aan de buitenkant van de schacht en zorg dat de binnenkant van de schacht qua hoogte kan worden afgesteld en dat de expansiebuis kan worden bevestigd. Breng de expansiebuis en schacht op de afzuigkap aan.

Zie afb. 3/afb. 4

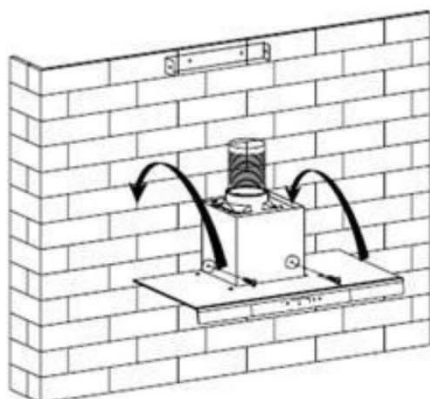


AFB. 3

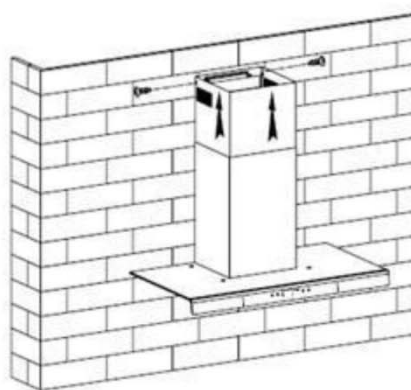


AFB.

4. Plaats de afzuigkap op de haak. Zie afb. 5.



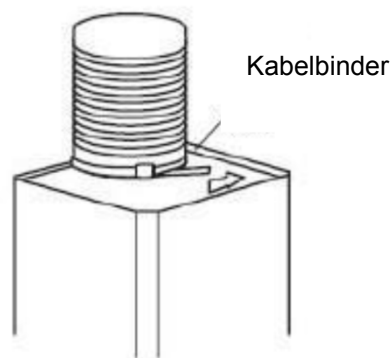
AFB. 5



AFB. 6

5. Stel de hoogte van de binnenschacht af op de positie van de beugel van de binnenschacht en schroef deze vast. Stel de positie af en zet het hoofddeel vast met een veiligheidsschroef. Zie afb. 6.

Opmerking: De twee veiligheidsontluchtingen bevinden zich aan de achterkant en hebben een diameter van 6 mm. Leg de expansiebuis naar de doorlaat in de muur. Zet de expansiebuis met de kabelbinder (1) vast op de doorlaat in de muur, als het om een flexibele aluminium buis gaat.

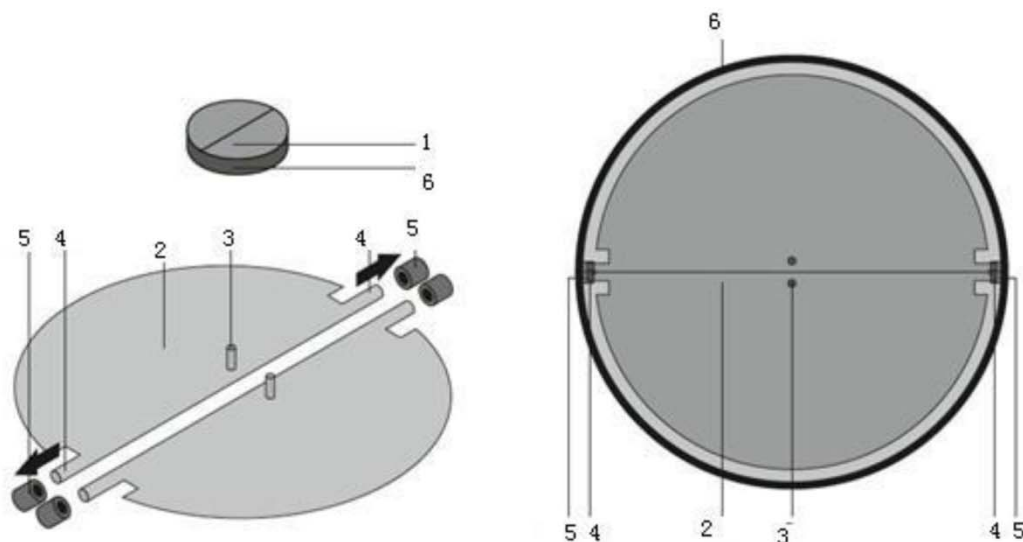


MONTAGE VAN DE V-KLEP (optioneel)

Als de afzuigkap geen gemonteerde V-klep (1) heeft, moet u de twee delen in de behuizing monteren.

Monteer de V-klep (1) als volgt:

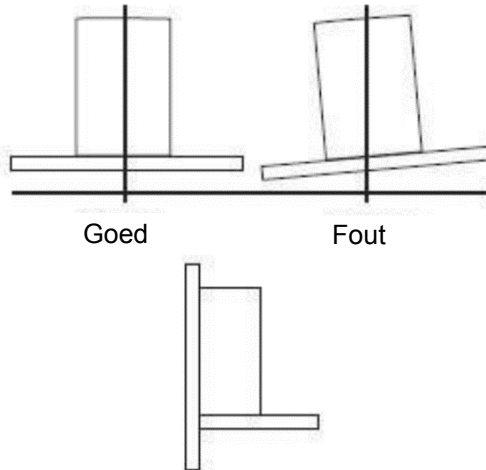
- Monteer de twee delen (2) in de behuizing (6)
- Pen (3) moet naar boven gericht zijn.
- De as (4) moet in de openingen (5) van de behuizing worden gebracht.
- Herhaal dit voor het tweede deel.




TIPS VOOR INSTALLATIE VAN HET AFVOERKANAAL

Voor een optimale luchtafzuiging moeten de volgende regels strikt worden opgevolgd:

- Houd de expansiebuis kort en recht.
- Maak de expansiebuis niet smaller en zorg dat deze nergens bekneld zit.
- Zorg dat de expansiebuis bij gebruik altijd strak getrokken is, zodat drukverlies wordt voorkomen.
- Als deze basisinstructies niet worden opgevolgd, neemt de werking van de afzuigkap af en produceert deze meer lawaai.
- Alle installatiewerkzaamheden moeten door een gekwalificeerde elektricien of een vakbekwame persoon worden uitgevoerd.
- Sluit het buissysteem van de afzuigkap net aan op een bestaand ventilatiesysteem dat voor een ander apparaat wordt gebruikt, bijvoorbeeld een buis voor verwarming, gas of warme lucht.
- De buighoek van de expansiebuis mag niet kleiner zijn dan 120°; u moet de buis horizontaal leiden, of de pijp moet vanaf het beginpunt omhoog gaan en daarna naar een buitenmuur.
- Controleer na montage of de afzuigkap waterpas hangt, om te voorkomen dat er zich aan een kant vet ophoopt.
- Zorg dat de gekozen expansiebuis voldoet aan de betreffende normen en vlamvertragend is.

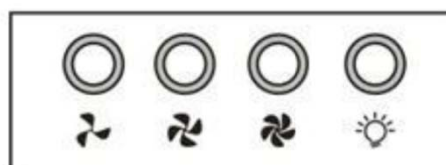


<p>WAARSCHUWING:</p> 	<ul style="list-style-type: none"> ➤ Vanwege de veiligheid mag u uitsluitend het formaat b bevestigings- of montageschroeven gebruiken, die in deze handleiding worden aanbevolen. ➤ Wanneer de schroeven of de b bevestiging niet volgens deze instructies zijn aangebracht, kan dit elektrische gevaren met zich meebrengen.
--	--

Uw afzuigkap gebruiken

Elektronische knop

1. Schakel de stroom in; de zoemer klinkt vijf keer. Het geluid geeft aan dat het apparaat stroom heeft.
2. Druk op knop Laag; indicatielampje 1 aan, de zoemer klinkt een keer, en de motor draait op lage snelheid. Druk opnieuw op de knop en de motor stopt.
3. Druk op knop Gemiddeld; indicatielampje 2 aan, de zoemer klinkt een keer, en de motor draait op gemiddelde snelheid. Druk opnieuw op de knop en de motor stopt.
4. Druk op knop Hoog; indicatielampje 3 aan, de zoemer klinkt een keer, en de motor draait op hoge snelheid. Druk opnieuw op de knop en de motor stopt.
5. Druk op de knop Verlichting; indicatielampje 4 aan, de twee lampjes gaan aan. Druk opnieuw op de knop en de lampjes gaan uit; telkens wanneer op de knop wordt gedrukt, klinkt de zoemer een keer.



La	Ge	H	Ve
ag	mi	oo	rlic
	dd	g	hti
	eld		ng

PROBLEMEN OPLOSSEN

Fout	Mogelijke oorzaak	Oplossing
Verlichting werkt, maar de motor draait niet	Schakelaar van de ventilator staat uit	Selecteer een schakelstand voor de ventilator.
	Schakelaar van de ventilator werkt niet	Neem contact op met het servicecentrum.
	Motor draait niet	Neem contact op met het servicecentrum.
Verlichting werkt niet, motor draait niet	Zekeringen van de woning doorgeslagen	Reset/vervang de zekeringen.
	Voedingskabel los of ontkoppeld	Sluit de kabel opnieuw aan op het stopcontact. Schakel het stopcontact in.
Olielekkage	Terugslagklep en luchtingang zijn niet goed afgedicht	Demonteer de terugslagklep en dicht af met afdichtmiddel.
	Lekkage uit de aansluiting van het U-deel en afdekking	Demonteer het U-deel en dicht af.
Lampjes branden niet	Lampjes kapot/defect	Vervang de lampjes volgens de instructies.
Onvoldoende zuigkracht	De afstand tussen de afzuigkap en het werkblad van het fornuis is te groot	Plaats de afzuigkap opnieuw op de juiste afstand.
De afzuigkap hangt scheef	De bevestigingsschroef is onvoldoende aangehaald	Haal de ophangschroef aan en zet de kap horizontaal.



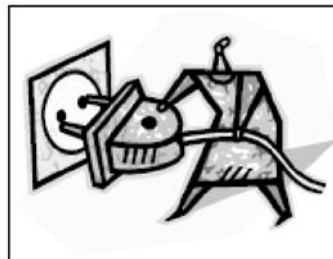
OPMERKING:

Alle werkzaamheden aan de elektra van dit apparaat moeten voldoen aan de lokale en landelijke voorschriften. Neem bij twijfel over bovenstaande werkzaamheden contact op met het servicecentrum. Koppel het apparaat altijd los van de voeding voordat u het opent.

ONDERHOUD EN REINIGING

Voorzichtig:

- Voordat u onderhoud of een reiniging uitvoert, moet de afzuigkap van het elektriciteitsnet worden losgekoppeld. Zorg ervoor dat de afzuigkap uit staat en dat de stekker uit het stopcontact is.



- Externe oppervlakken zijn gevoelig voor krassen en schuursporen. Volg de reinigingsinstructies op om de beste resultaten te verzekeren zonder dat het apparaat beschadigd raakt.

ALGEMEEN

Reiniging en onderhoud moet gebeuren wanneer het apparaat is afgekoeld, vooral het reinigen. Voorkom dat er alkalische of zure stoffen (citroensap, azijn enz.) op het oppervlak achterblijven.

ROESTVRIJ STAAL

Roestvrij staal moet regelmatig worden gereinigd (bijv. elke week) om een lange levensduur te verzekeren. Maak droog met een zachte doek. U mag een speciale reinigingsvloeistof voor roestvrij staal gebruiken.

OPMERKING:

Zorg ervoor dat u in de polijstrichting van het roestvrij staal veegt, om te vermijden dat er ontsierende, kruisgewijze kraspatronen ontstaan.

OPPERVLAK VAN HET BEDIENINGSPANEEL

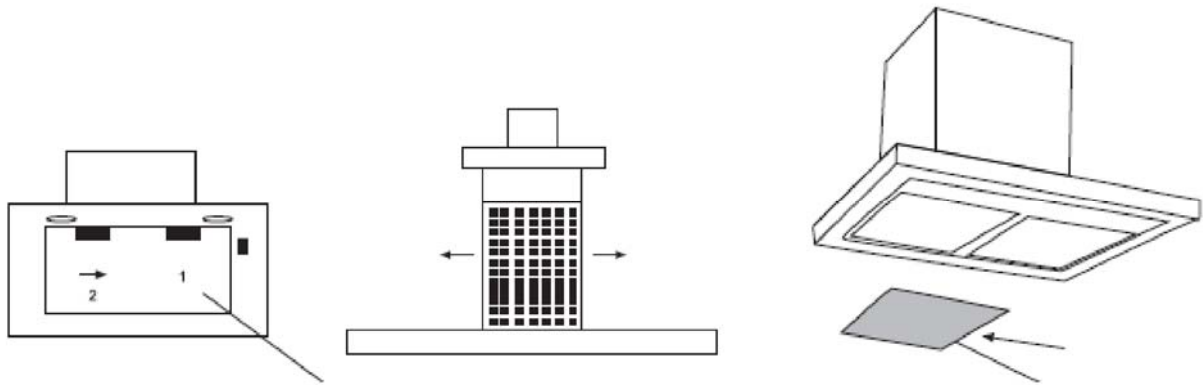
Het ingebouwde bedieningspaneel kan met warm zeepsop worden schoongemaakt. Zorg ervoor dat de doek schoon is en goed uitgewrongen voordat u gaat schoonmaken. Verwijder overtollig vocht na het reinigen met een droge, zachte doek.

Belangrijk

Gebruik neutrale schoonmaakproducten en vermijd het gebruik van sterke chemische reinigingsmiddelen en producten die schuurmiddelen bevatten, omdat die het uiterlijk van het apparaat aantasten en eventuele sieropdruk van het bedieningspaneel verwijderen. Bovendien vervalt hierdoor de garantie van de fabrikant.

METALEN VETFILTERS

De metalen filters kunnen handmatig of in de vaatwasser worden gereinigd. Zorg dat de filters helemaal droog zijn voordat u ze opnieuw aanbrengt.



- Met de hand: Week ze ongeveer 3 minuten in water met een vetoplossend product en borstel ze dan voorzichtig af met een zachteborstel. Oefen niet te veel druk uit, anders zou het filter kunnen beschadigen. (Laat op natuurlijke wijze drogen, niet in direct zonlicht)
- In de vaatwasser: Zorg dat de filters zo in de vaatwasser zijn geplaatst, dat de beweging van de sproeiarm niet wordt gehinderd. Wanneer de filters in de vaatwasser worden gewassen, kan het aluminium aan de binnenkant na verloop van tijd verkleuren. Dit is niet van invloed op de werking.

De filters moeten gescheiden van serviesgoed en keukengerei worden gewassen. Het wordt aanbevolen om geen spoelmiddel te gebruiken.

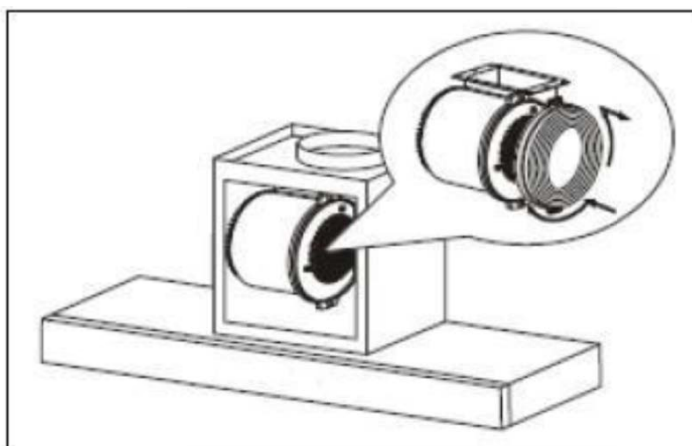
METALEN VETFILTERS INSTALLEREN

- Volg de vier onderstaande stappen om de filters te installeren.
 - Haak het filter in de gleuven aan de achterkant van de kap.
 - Duw op de knop van de handgreep van het filter.
 - Laat de handgreep los zodra het filter in positie is.
 - Herhaal dit voor alle filters.

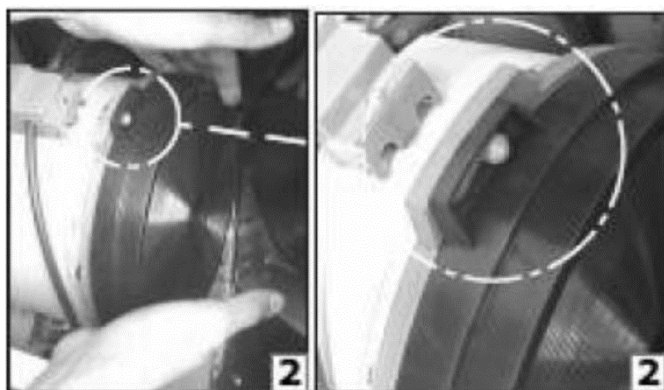
KOOLSTOFFILTER - apart aan te schaffen

U kunt een actievekoolstoffilter gebruiken om geuren op te vangen. Normaal moet het actievekoolstoffilter elke drie tot zes maanden worden vervangen, afhankelijk van uw kookgewoonten. De procedure voor het installeren van een actievekoolstoffilter is hieronder beschreven.

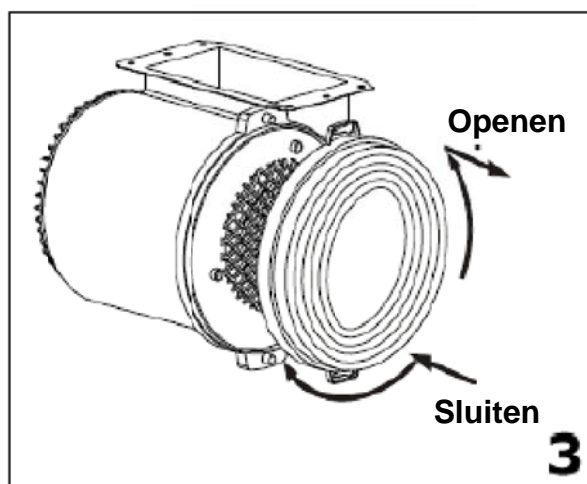
1. De motor is zichtbaar zodra u motorpaneel hebt verwijderd.



2. Haak het koolstoffilter over de pennen achteraan de motor.



3. Draai het koolstoffilter linksom, totdat het vastklikt.



※ Herhaal dit voor het tweede koolstoffilter. Aan beide uiteinden van de motor moet een koolstoffilter worden aangebracht.

※ Breng het motorpaneel weer aan en draai de schroeven die u eerder had verwijderd weer goed vast.

※ Breng de onderste en bovenste schachtdelen weer aan op het hoofddeel van de kap.

OPMERKING:

- Controleer of het filter goed vastzit. Het kan anders loskomen en gevaar veroorzaken.
- Wanneer een actievekoolstoffilter is aangebracht, neemt het afzuigvermogen af.

LAMPJE VERVANGEN

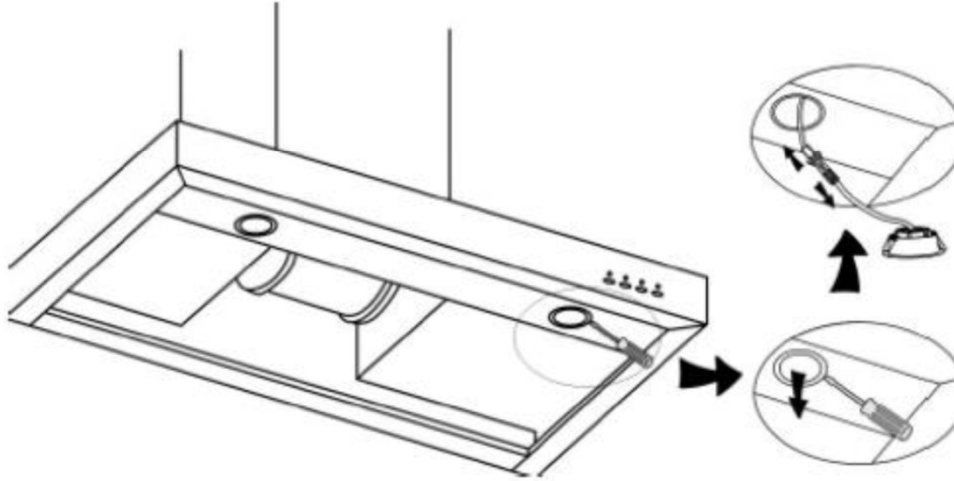
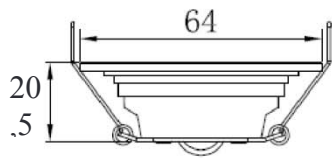
<p>Belangrijk:</p> 	<ul style="list-style-type: none">✧ Het lampje moet door de fabrikant, diens serviceagent of personen met gelijkwaardige kwalificatie worden vervangen.✧ Schakel de netvoeding altijd uit voordat u werkzaamheden aan het apparaat uitvoert. Wanneer u het lampje wilt vastpakken, moet u controleren of het volledig is afgekoeld voordat u het met uw handen aanraakt.✧ Wanneer u lampjes vastpakt, zorg dan dat u ze met een doek of met handschoenen vasthoudt, zodat er geen zweet op het lampje kan komen. Als dit gebeurt, kan dit ten koste gaan van de levensduur van het lampje.
--	--

Vervanging van een lampje voor hoge-druk led

1. Schakel eerst het apparaat uit en trek de stekker uit het stopcontact.
2. Wacht totdat het lampje is afgekoeld en vervang het dan pas.
3. Verwijder het plaatfilter en verwijder het frame met behulp van een schroevendraaier zoals in onderstaande afbeelding weergegeven.
4. Vervang het lampje door hetzelfde type (led, max. 2 W)

Opmerking: Het lampje mag alleen door gekwalificeerd personeel worden vervangen.


- De ILCOS D-code van deze lamp is: DBR-2/65-H-64
- Led-modules – ronde lamp
- Max. wattage: 2 W
- Spanningsbereik: AC 220-240 V
- Afmetingen:



Belangrijk

Wanneer u lampjes vastpakt, zorg dan dat u ze met een doek of met handschoenen vasthoudt, zodat er geen zweet op het lampje kan komen. Als dit gebeurt, kan dit ten koste gaan van de levensduur van het lampje.

BESCHERMING VAN HET MILIEU:

	<p>Dit product is gemarkeerd met hetsymbool voor gescheiden inzameling van elektronisch afval. Dit betekent dat dit product niet samen met het huishoudelijke afval mag worden weggegooid, maar conform richtlijn 2012/19/EU via een systeem voor gescheiden inzameling moet worden verwijderd. Het wordt dan gerecycled of gedemonteerd, zodat de gevolgen voor het milieu minimaal zijn. Elektrische en elektronische producten zijn potentieel gevaarlijk voor het milieu en voor de gezondheid van de mens wegens de aanwezigheid van gevaarlijke stoffen. Neem voor meer informatie contact op met uw lokale of regionale overheid.</p>
---	--

OPMERKING:

Hierna wordt aangegeven hoe u de totale gevolgen van het koken voor het milieu kunt beperken (bijv. energieverbruik).

- (1) Installeer de afzuigkap op een geschikte plaats met efficiënte ventilatie.
- (2) Reinig de afzuigkap regelmatig, zodat de luchtstroming niet geblokkeerd raakt.
- (3) Denk eraan dat u het lampje van de afzuigkap na het koken moet uitschakelen.
- (4) Denk eraan dat u de afzuigkap na het koken moet uitschakelen.

INFORMATIE VOOR DEMONTAGE

Demonteer het apparaat niet op een manier die niet in de handleiding is beschreven. Het apparaat kan niet door de gebruiker worden gedemonteerd. Aan het einde van de levensduur mag het apparaat niet met het huishoudelijke afval worden afgevoerd. Raadpleeg uw lokale overheid of een recyclingbedrijf voor recyclingadvies.

**RMB9800/1IN, RMB9600/1IN,
HMB9600/1X, HMB6600/1X**

Okap kuchenny

Instrukcja obsługi

SPIS TREŚCI

1. Instrukcja bezpieczeństwa	3
2. Instalacja (wentylacja zewnętrzna)	6
3. Zaczynij korzystać z naszego okapu kuchennego	9
4. Usuwanie usterek	11
5. Konserwacja i czyszczenie	12
6. Ochrona środowiska:	18

INSTRUKCJA BEZPIECZEŃSTWA

Niniejsza instrukcja objaśnia prawidłową instalację i użytkowanie okapu kuchennego; przeczytaj ją uważnie przed użyciem, nawet jeśli znasz produkt. Instrukcję należy przechowywać w bezpiecznym miejscu, aby móc z niej skorzystać w przyszłości.

Nigdy nie należy robić:

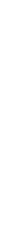
- Nie próbuj używać okapu kuchennego bez filtrów przeciw tłuszczowym lub gdy filtry są nadmiernie zatłuszczone!
- Nie instaluj nad kuchenką z wysokopoziomowym grillem.
- Nie pozostawiaj patelni bez nadzoru podczas smażenia, ponieważ przegrzane tłuszcze czy oleje mogą się zapalić.
- Nigdy nie pozostawiaj otwartego ognia pod okapem kuchennym.



- Jeśli okap kuchenny jest uszkodzony, nie należy go używać.
- Nie należy zbliżać płomienia do okapu kuchennego;
- **OSTROŻNIE:** Dostępne części mogą się nagrzewać podczas używania z urządzeniami do gotowania.
- Minimalna odległość pomiędzy powierzchnią nośną na naczynia kuchenne na płycie grzewczej a najniższą częścią okapu. (Gdy okap kuchenny znajduje się nad kuchenką gazową, odległość ta musi wynosić co najmniej 65 cm)
- Nie wolno odprowadzać powietrza do przewodu kominowego wykorzystywanego do odprowadzania spalin z urządzeń spalających gazy lub inne paliwa.

Zawsze należy robić:

- Ważne! Zawsze odłączaj zasilanie elektryczne od sieci podczas instalacji i konserwacji, jak np. wymiany żarówki.
- Okap kuchenny musi być zainstalowany zgodnie z instrukcją instalacji, przestrzegając przy tym wszystkich wymiarów.
- Wszelkie prace instalacyjne muszą być wykonane przez kompetentną osobę lub wykwalifikowanego elektryka.
- Proszę ostrożnie wyrzucić opakowanie. Stanowi ono zagrożenie dla dzieci.
- Zwróć uwagę na ostre krawędzie wewnątrz okapu kuchennego, szczególnie podczas instalacji i czyszczenia.
- Gdy okap kuchenny znajduje się nad kuchenką gazową, minimalna odległość pomiędzy powierzchnią nośną na naczynia kuchenne na płycie grzewczej a najniższą częścią okapu kuchennego musi wynosić:
Kuchenki gazowe: 75 cm
Kuchenki elektryczne: 65 cm
Kuchenki na węgiel lub olej: 75 cm
- Upewnij się, że kanały wentylacyjne nie są zgięte pod kątem ostrzejszym niż 90 stopni, ponieważ zmniejszy to wydajność okapu kuchennego.
- Ostrzeżenie: Niezamontowanie wkrętów lub urządzenia mocującego zgodnie z niniejszą instrukcją może spowodować zagrożenie elektryczne



Zawsze należy robić:

- Zawsze kładź pokrywki na garnki i patelnie podczas gotowania na kuchenke gazowej.
- W trybie odprowadzania powietrze w pomieszczeniu jest usuwane przez okap kuchenny. Upewnij się, że została zapewniona odpowiednia wentylacja. Okap kuchenny usuwa z pomieszczenia zapachy, ale nie opary.
- W przypadku gdy okapy kuchenne używane są w tym samym czasie co urządzenia spalające gaz lub inne paliwa, musi być zapewniona odpowiednia wentylacja pomieszczenia;
- Okap kuchenny jest przeznaczony wyłącznie do użytku domowego.



- Jeśli kabel zasilający ulegnie uszkodzeniu, dla bezpieczeństwa należy zlecić jego wymianę producentowi, autoryzowanemu serwisowi lub osobom o podobnych kwalifikacjach.
- Urządzenie może być obsługiwane przez dzieci powyżej 8 roku życia i przez osoby o ograniczonych możliwościach fizycznych, sensorycznych lub umysłowych lub osoby nieposiadające doświadczenia ani wiedzy pod warunkiem, że są one pod odpowiednim nadzorem lub zostały poinstruowane, jak bezpiecznie obsługiwać urządzenie i rozumieją związane z nim zagrożenia. Dzieci nie powinny bawić się urządzeniem. Czyszczenie i konserwacja nie mogą być wykonywane przez dzieci bez dozoru.



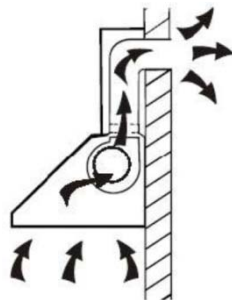
- Ostrzeżenie: Przed uzyskaniem dostępu do przyłączy wszystkie obwody zasilania muszą zostać odłączone.

Zawsze należy robić:

- Uwaga: Urządzenie oraz jego dostępne części mogą się nagrzewać podczas działania. Uważaj, aby nie dotykać elementów grzejnych.
- Dzieci w wieku poniżej 8 lat powinny trzymać się z dala od urządzenia, chyba że znajdują się one pod stałym nadzorem.
- W przypadku gdy okapy kuchenne używane są w tym samym czasie co urządzenia spalające gaz lub inne paliwa, musi być zapewniona odpowiednia wentylacja pomieszczenia;
- Jeżeli czyszczenie nie odbywa się zgodnie z instrukcjami, istnieje zagrożenie pożarowe;
- Należy zachować zgodność z przepisami dotyczącymi odprowadzania powietrza.
- Czyść okresowo urządzenie, postępując zgodnie z metodą opisaną w rozdziale KONSERWACJA.
- Ze względów bezpieczeństwa używaj tylko tych samych rozmiarów śrub mocujących czy montażowych, które są zalecane w niniejszej instrukcji obsługi.
- Szczegółowe informacje na temat metody i częstotliwości czyszczenia znajdują się w części poświęconej konserwacji i czyszczeniu w instrukcji obsługi.
- Czyszczenie i konserwacja nie mogą być wykonywane przez dzieci bez dozoru.
- Gdy okap kuchenny i urządzenia zasilane energią inną niż prąd są jednocześnie włączone, ciśnienie ujemne w pomieszczeniu nie może przekraczać 4 Pa (4 x 10⁻⁵ barów).

INSTALACJA (WENTYLACJA ZEWNĘTRZNA)

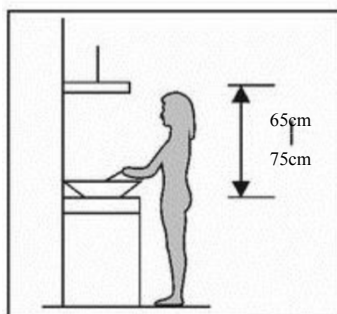
Jeśli dostępny jest wylot na zewnątrz, okap można połączyć przewodem odpływowym (emalia, aluminium, elastyczna rura lub materiał niepalny o średnicy wewnętrznej 150/120 mm) w sposób pokazany na poniższym rysunku.



1. Przed montażem należy wyłączyć urządzenie i odłączyć je od źródła zasilania.

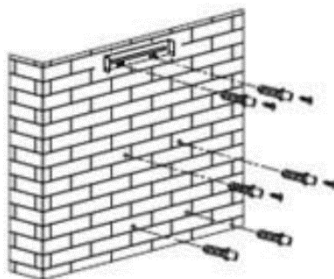


2. Aby uzyskać optymalny efekt, okap należy umieścić w odległości 65-75 cm nad płaszczyzną gotowania.



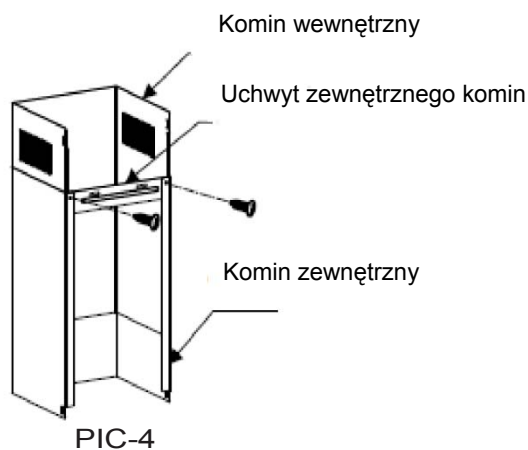
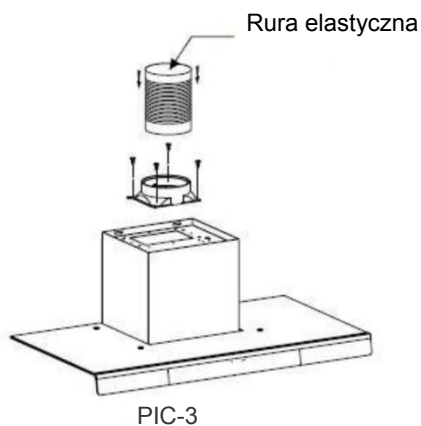
Rys. 1

3. Przymocuj hak w odpowiednim miejscu po ustaleniu wysokości montażu. Ustalona pozycja uchwyty wewnętrzny komina jest miejscem instalacji komina. Patrz rys. 2.

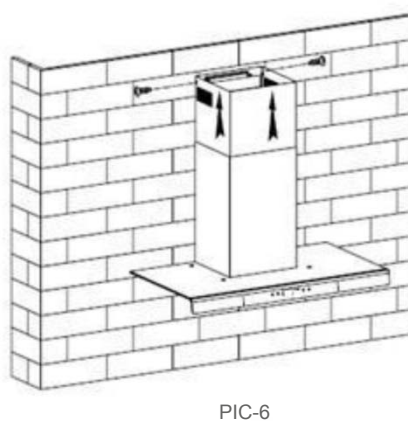
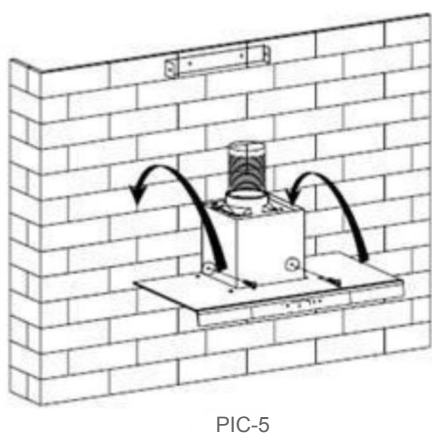


4. Przymocuj zewnętrzny wspornik komina do zewnętrznego komina i upewnij się, że można swobodnie regulować w nim wysokość komina wewnętrznego, jak również zamocować rurę elastyczną. Następnie przymocuj rurę elastyczną i komin do okapu kuchennego.

Patrz rys. 3/rys. 4.



4. Załóż okap na hak. Patrz rys. 5.



5. Dopasuj wysokość wewnętrznego komin do położenia wspornika wewnętrznego komin i zamocuj go za pomocą śrub. Po ustawieniu odpowiedniej pozycji przymocuj korpus za pomocą śruby bezpieczeństwa. Patrz rys. 6.

Uwaga: Dwa odpowietzniki bezpieczeństwa o średnicy 6 mm znajdują się na tylnej obudowie. Podłącz elastyczną rurę do wylotu w ścianie. Przymocuj elastyczną rurę za pomocą opaski kablowej (1) do wylotu w ścianie, jeśli jest to rura wykonana z folii aluminiowej.

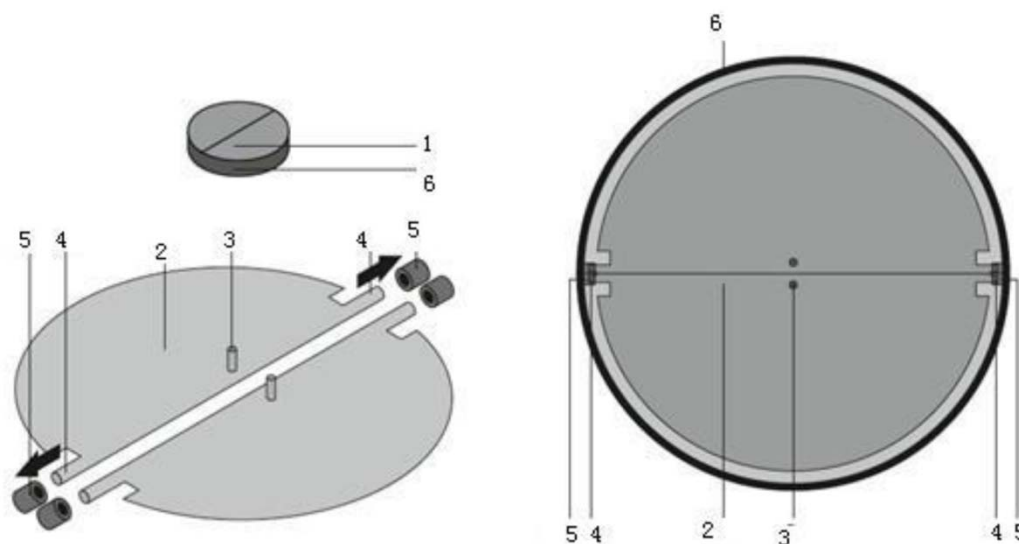


MONTAŻ KLAPY ZWROTNEJ (opcjonalnie)

Jeśli w okapie kuchennym nie ma zamontowanej klapy zwrotnej 1, należy przymocować połówki części do jego korpusu.

Aby zamontować klapę zwrotną 1, należy:

- Zamontować dwie połówki 2 w korpusie 6
- Bolec 3 powinien być skierowany ku górze;
- Oś 4 powinna być włożona w otwory 5 na korpusie;
- Powtórz wszystkie czynności dla drugiej połowy

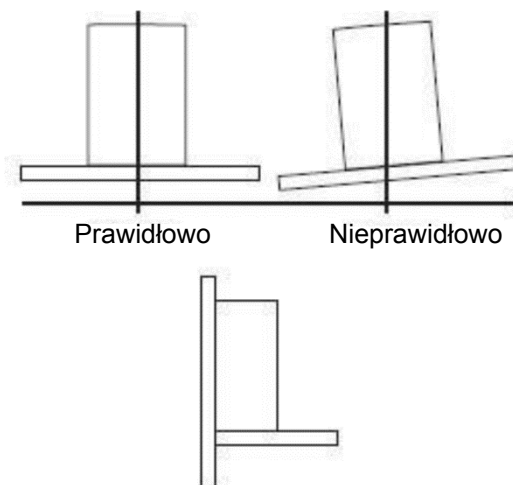



WSKAZÓWKI DOTYCZĄCE INSTALACJI RURY ODPROWADZAJĄCEJ

Aby uzyskać optymalne odprowadzanie powietrza, należy ściśle przestrzegać następujących zasad:

- ☛ Rura odprowadzająca powinna być krótka i prosta.
- ☛ Nie pomniejszaj rozmiaru ani nie zwężaj rury odprowadzającej.
- ☛ W przypadku stosowania rur elastycznych należy zawsze zainstalować napiętą rurę, aby zminimalizować straty ciśnienia.
- ☛ Nieprzestrzeganie tych podstawowych instrukcji zmniejszy wydajność i zwiększy poziom hałasu okapu kuchennego.
- ☛ Wszelkie prace instalacyjne muszą być wykonywane przez wykwalifikowanego elektryka lub kompetentną osobę.
- ☛ Nie podłączaj systemu kanałów okapu do istniejącego systemu wentylacyjnego, który jest używany do innych urządzeń, takich jak rura ciepła, rura gazowa, rura ciepłego powietrza.
- ☛ Kąt zgięcia rury wentylacyjnej nie powinien być mniejszy niż 120°; musisz ustawić rurę poziomo lub, alternatywnie, rura powinna biec od punktu początkowego i być skierowana do zewnętrznej ściany.

- ☛ Po zakończeniu instalacji upewnij się, że okap kuchenny jest ustawiony poziomo, aby uniknąć gromadzenia się tłuszczu na jednym końcu.
- ☛ Upewnij się, że wybrane do instalacji rury elastyczne są zgodne z odpowiednimi normami i ognioodporne.



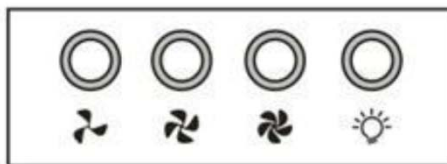
<p>OSTRZEŻENIE:</p> 	<ul style="list-style-type: none"> ➤ Ze względów bezpieczeństwa używaj tylko tych samych rozmiarów śrub mocujących czy montażowych, które są zalecane w niniejszej instrukcji obsługi. ➤ Niezamontowanie wkrętów lub urządzenia mocującego zgodnie z niniejszą instrukcją może spowodować zagrożenie elektryczne.
--	---

Zacznij Korzystać Z naszego okapu Kuchennego

Przycisk elektroniczny

1. Włącz zasilanie. Brzęczyk wyda sygnał pięć razy. Sygnał wskazuje, że urządzenie jest podłączone do zasilania.
2. Naciśnij przycisk niskiej prędkości. Świeci się kontrolka 1, brzęczyk wydaje jeden sygnał, a silnik pracuje z niską prędkością. Naciśnij go ponownie, silnik się wyłączy.
3. Naciśnij przycisk średniej prędkości. Świeci się kontrolka 2, brzęczyk wydaje jeden sygnał, a silnik pracuje ze średnią prędkością. Naciśnij go ponownie, silnik się wyłączy.
4. Naciśnij przycisk wysokiej prędkości. Świeci się kontrolka 3, brzęczyk wydaje jeden sygnał, a silnik pracuje z wysoką prędkością. Naciśnij go ponownie, silnik się wyłączy.
5. Naciśnij przycisk z oświetleniem. Świeci się kontrolka 4, zaświecą się dwie lampki.

Naciśnij ponownie. Lampki się wyłączą. Przy każdym naciśnięciu brzęczyk wydaje jeden sygnał.



Nis	Śred	Wy	Oś
ka	nia	soka	wi
pręd	pręd	pręd	etl
kość	kość	kość	eni

USUWANIE USTEREK

Usterka	Potencjalna przyczyna	Rozwiązanie
Żarówka włączona, ale silnik nie działa	Wyłącznik wentylatora jest wyłączony	Wybierz pozycję wyłącznika wentylatora.
	Wyłącznik wentylatora nie działa	Skontaktuj się z centrum serwisowym.
	Silnik nie działa	Skontaktuj się z centrum serwisowym.
Światło nie działa, silnik nie działa	Przepalony bezpiecznik domowy	Zresetuj/wymień bezpieczniki.
	Przewód zasilający jest luźny lub odłączony	Włóż dobrze przewód zasilający do gniazdka. Włącz gniazdko.
Wyciek oleju	Zawór jednokierunkowy i wlot wentylacji nie są ciasno uszczelnione	Zdejmij zawór jednokierunkowy i uszczelnij szczeliwem.
	Wyciek z połączenia elementu w kształcie litery U i pokrywy	Wyjmij element w kształcie litery U i go uszczelnij.
Światła nie działają	Spalone/wadliwe lampki	Wymień lampki zgodnie z niniejszą instrukcją.
Niewystarczające odsysanie	Odległość pomiędzy okapem kuchennym a gazową płytą grzejącą jest zbyt duża	Ustaw ponownie okap kuchenny w prawidłowej odległości.
Okap kuchenny jest pochylony	Śruba mocująca nie jest wystarczająco mocno dokręcona	Dokręć śrubę mocującą i ustaw go poziomo.



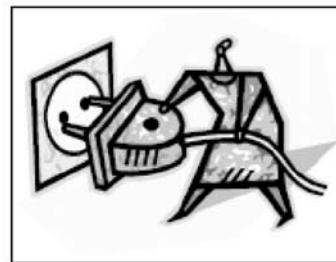
UWAGA:

Wszelkie naprawy elektryczne niniejszego urządzenia muszą być zgodne z przepisami lokalnymi, wojewódzkimi i krajowymi. W przypadku wątpliwości przed podjęciem jakichkolwiek powyższych czynności należy skontaktować się z centrum serwisowym. Podczas otwierania urządzenia należy zawsze odłączyć urządzenie od źródła zasilania.

KONSERWACJA I CZYSZCZENIE

Uwaga:

- ☛ Przed rozpoczęciem konserwacji lub czyszczenia okap kuchenny należy odłączyć od głównego źródła zasilania. Upewnij się, że gniazdko ścienne do okapu kuchennego jest wyłączone, a wtyczka wyjęta.



- ☛ Zewnętrzne powierzchnie są podatne na zadrapania i otarcia, dlatego należy postępować zgodnie z instrukcjami czyszczenia, aby uzyskać najlepszy możliwy rezultat bez uszkodzeń.

INFORMACJE OGÓLNE

Czyszczenie i konserwacja powinna być przeprowadzana przy zimnym urządzeniu, szczególnie podczas czyszczenia. Unikaj pozostawiania na powierzchni substancji alkalicznych lub kwaśnych (sok z cytryny, ocet itp.).

STAL NIERDZEWNA

Stal nierdzewna musi być regularnie czyszczona (np. co tydzień), aby zapewnić długi okres użytkowania. Wycieraj czystą miękką ściereczką. Można użyć specjalistycznego płynu czyszczącego do stali nierdzewnej.

UWAGA:

Upewnij się, że wycieranie odbywa się wzdłuż tekstury stali nierdzewnej, aby zapobiec pojawieniu się nieestetycznych krzyżujących się zarysowań.

POWIERZCHNIA PANELU STEROWANIA

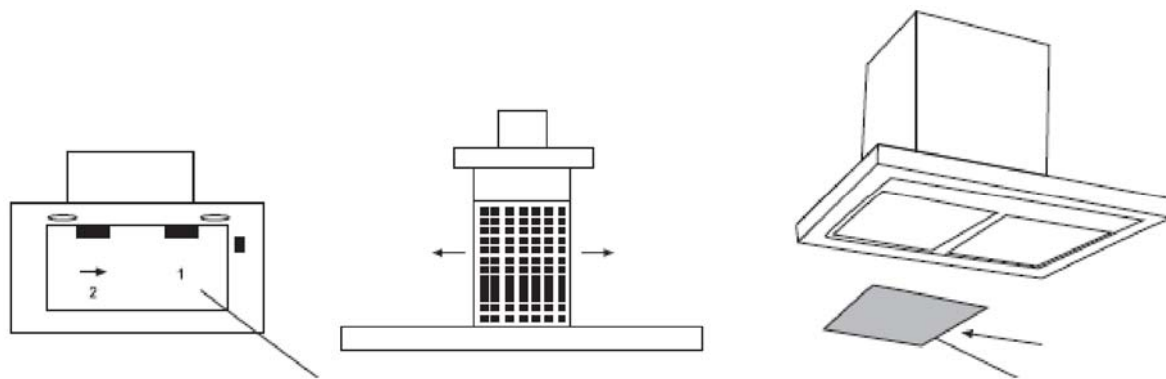
Wkładkę panelu sterowania można wyczyścić ciepłą wodą z mydłem. Przed czyszczeniem upewnij się, że ściereczka jest czysta i dobrze wykręcona. Użyj suchej, miękkiej ściereczki, aby usunąć nadmiar wilgoci pozostawionej po czyszczeniu.

Ważne

Używaj neutralnych detergentów i unikaj używania ostrych chemikaliów, silnych domowych detergentów czy produktów zawierających materiały ściernie, ponieważ wpłynie to na wygląd urządzenia i potencjalnie usunie wszelką drukowaną grafikę na panelu sterowania, jak również spowoduje unieważnienie gwarancji producenta.

FILTRY SIATKOWE PRZECIWTŁUSZCZOWE

Filtry siatkowe można umyć ręcznie lub w zmywarce do naczyń. Po umyciu należy się upewnić, czy filtry są całkowicie suche przed ich ponownym założeniem.



- Mycie ręczne: Namocz je przez około 3 minuty w wodzie z dodatkiem detergentu rozpuszczającego tłuszczy, a następnie delikatnie przetrzyj za pomocą miękkiej szczoteczki. Nie wolno wywierać zbyt dużego nacisku, aby uniknąć ich uszkodzenia. (Pozostaw do samoczynnego wyschnięcia z dala od bezpośredniego światła słonecznego)
- Mycie w zmywarce do naczyń: Upewnij się, że filtry włożone do zmywarki nie utrudniają działania ramienia natrysku. Mycie filtrów w zmywarce może z czasem spowodować przebarwienia wewnętrznej siatki aluminiowej, chociaż nie będzie to miało wpływu na ich działanie.

Filtry należy myć oddzielnie od naczyń stołowych i przyborów kuchennych. Wskazane jest, aby nie używać płynu nabłyszczającego.

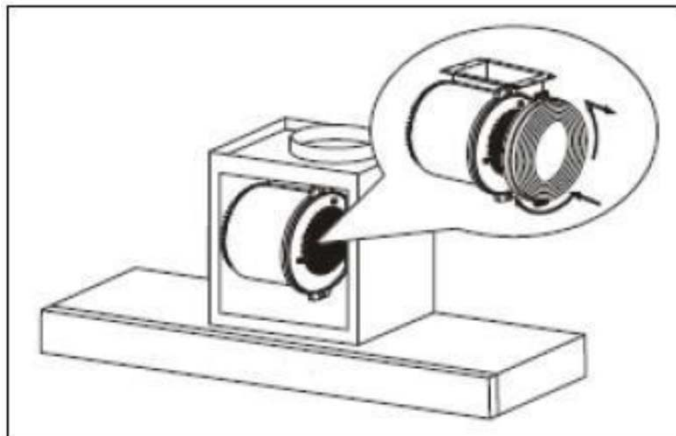
MONTAŻ FILTRÓW SIATKOWYCH PRZECIWTŁUSZCZOWYCH

- Aby zamontować filtry, postępuj zgodnie z następującymi czterema krokami.
 - Umieść filtr w szczelinach z tyłu okapu.
 - Naciśnij przycisk na uchwycie filtra.
 - Zwolnij uchwyt, gdy filtr znajdzie się w pozycji spoczynkowej.
 - Powtórz czynności, aby zamontować wszystkie filtry.

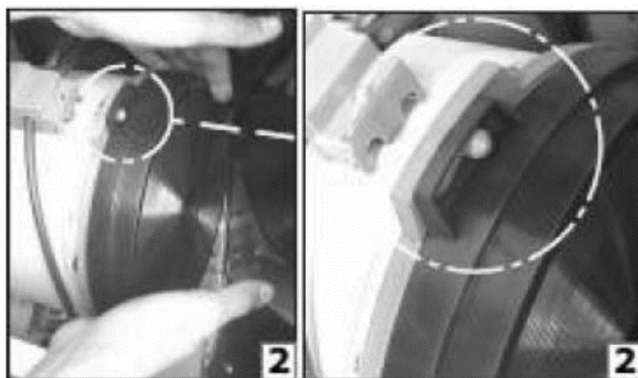
FILTR Z WĘGLEM AKTYWNYM kupuj oddzielnie

Filtr z węglem aktywnym służy do neutralizowania zapachów. Zazwyczaj filtr z węglem aktywnym powinien być wymieniony po trzech lub sześciu miesiącach w zależności od przyzwyczajień żywieniowych i sposobu gotowania. Procedura instalacji filtra z węglem aktywnym wygląda następująco.

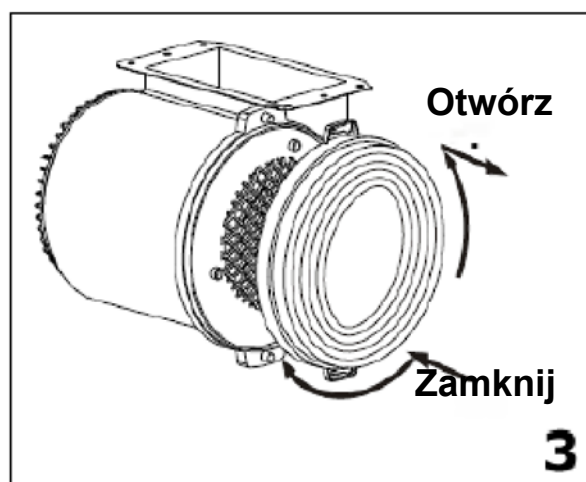
1. Po zdjęciu panelu widoczny będzie silnik.



2. Załóż filtr węglowy na uchwyty umieszczone przy końcowej części silnika.



3. Obracaj filtr węglowy w kierunku przeciwnym do ruchu wskazówek zegara, aż poczujesz zatrzaśnięcie we właściwym miejscu.



- Powtórz te czynności, wkładając drugi filtr węglowy. Filtr węglowy należy umieścić przy obu końcach silnika.
- Załóż z powrotem panel dostępu do silnika i przykręć go za pomocą uprzednio


wyjętych śrub.

➤ Przymocuj dolną i górną część komina do głównego korpusu okapu.

UWAGA:

- ⚠ Upewnij się, że filtr jest bezpiecznie zablokowany. W przeciwnym razie może się obluźnić i wywołać zagrożenie.
- ⚠ Po założeniu filtra z węglem aktywnym moc ssania będzie obniżona.

WYMIANA ŻARÓWKI

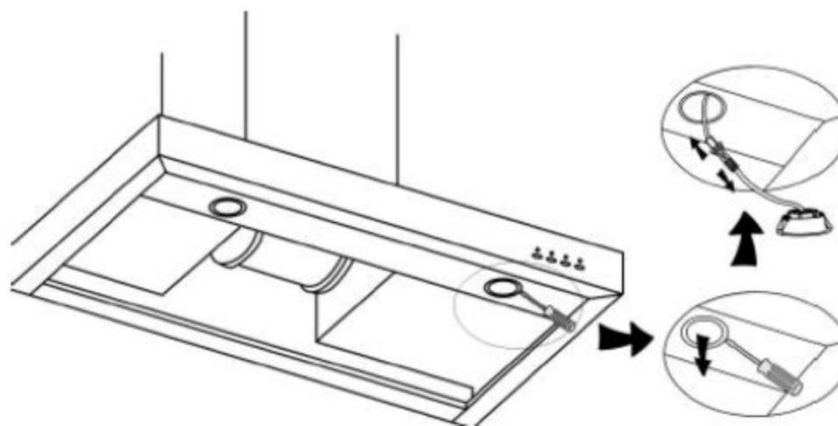
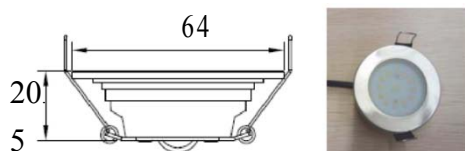
<p>Ważne:</p> 	<ul style="list-style-type: none">✧ Żarówka musi być wymieniona przez producenta, jego przedstawiciela serwisowego lub podobnie wykwalifikowaną osobę.✧ Zawsze wyłączaj zasilanie elektryczne przed wykonaniem jakichkolwiek czynności na urządzeniu. Podczas obsługi żarówki, upewnij się, że ostygła ona całkowicie przed bezpośrednim kontaktem z rękoma.✧ Podczas obsługi lampek należy użyć szmatki lub rękawic, aby zapewnić, że pot nie wejdzie w kontakt z lampką, ponieważ może to zmniejszyć jej żywotność.
---	---

Wymiana żarówki na wysokociśnieniowe LED

1. Najpierw wyłącz urządzenie i wyjmij wtyczkę z gniazdka.
2. Odczekaj, aż żarówka się ochłodzi przed jej wymianą.
3. Wyjmij filtr przegrody i użyj śrubokręta, aby wyjąć ramę, jak pokazano na poniższym rysunku
4. Zamontuj taki sam typ żarówki (maks. LED 2 W)

Uwaga: Oświetlenie powinno być wymieniane wyłącznie przez wykwalifikowanego serwisanta.


- Kod ILCOS D dla tej lampy to: DBR-2/65-H-64
- Moduły LED – okrągła lampka
- Maks. moc: 2 W
- Zakres napięcia: AC 220-240V
- Wymiary:



Ważne

Podczas obsługiwanania lampek należy użyć szmatki lub rękawic, aby zapewnić, że pot nie wejdzie w kontakt z lampką, ponieważ może to zmniejszyć jej żywotność.

OCHRONA ŚRODOWISKA:

	<p>Niniejszy produkt jest oznaczony symbolem selektywnego segregowania zużytego sprzętu elektronicznego. Oznacza to, że produkt ten nie może być utylizowany wraz z odpadami komunalnymi, lecz musi być on utylizowany w ramach systemu selektywnej zbiórki zgodnie z dyrektywą 2012/19/UE. Następnie zostanie on poddany recyklingowi lub zdemontowany, aby zminimalizować wpływ na środowisko; produkty elektryczne i elektroniczne są potencjalnie niebezpieczne dla środowiska i zdrowia ludzkiego ze względu na obecność niebezpiecznych substancji. Aby uzyskać więcej informacji, skontaktuj się z lokalnymi lub regionalnymi władzami.</p>
---	--

UWAGA:

Poniżej pokazano, jak zredukować całkowity wpływ na środowisko (np. zużycie energii) podczas gotowania.

- (1) Zainstaluj okap w odpowiednim miejscu, w którym zapewniona jest skuteczna wentylacja.
- (2) Regularnie czyść okap, aby nie blokować kanałów powietrznych.
- (3) Pamiętaj, aby po zakończeniu gotowania wyłączyć światło okapu kuchennego.
- (4) Pamiętaj, aby po zakończeniu gotowania wyłączyć okap kuchenny.

INFORMACJE DOTYCZĄCE DEMONTAŻU

Nie demontuj urządzenia w sposób niepokazany w instrukcji obsługi. Urządzenie nie może być rozmontowane przez użytkownika. Po zakończeniu użytkowania urządzenia nie należy go wyrzucać wraz z odpadami domowymi. Informacje o recyklingu można otrzymać w miejscowym urzędzie lub u sprzedawcy.