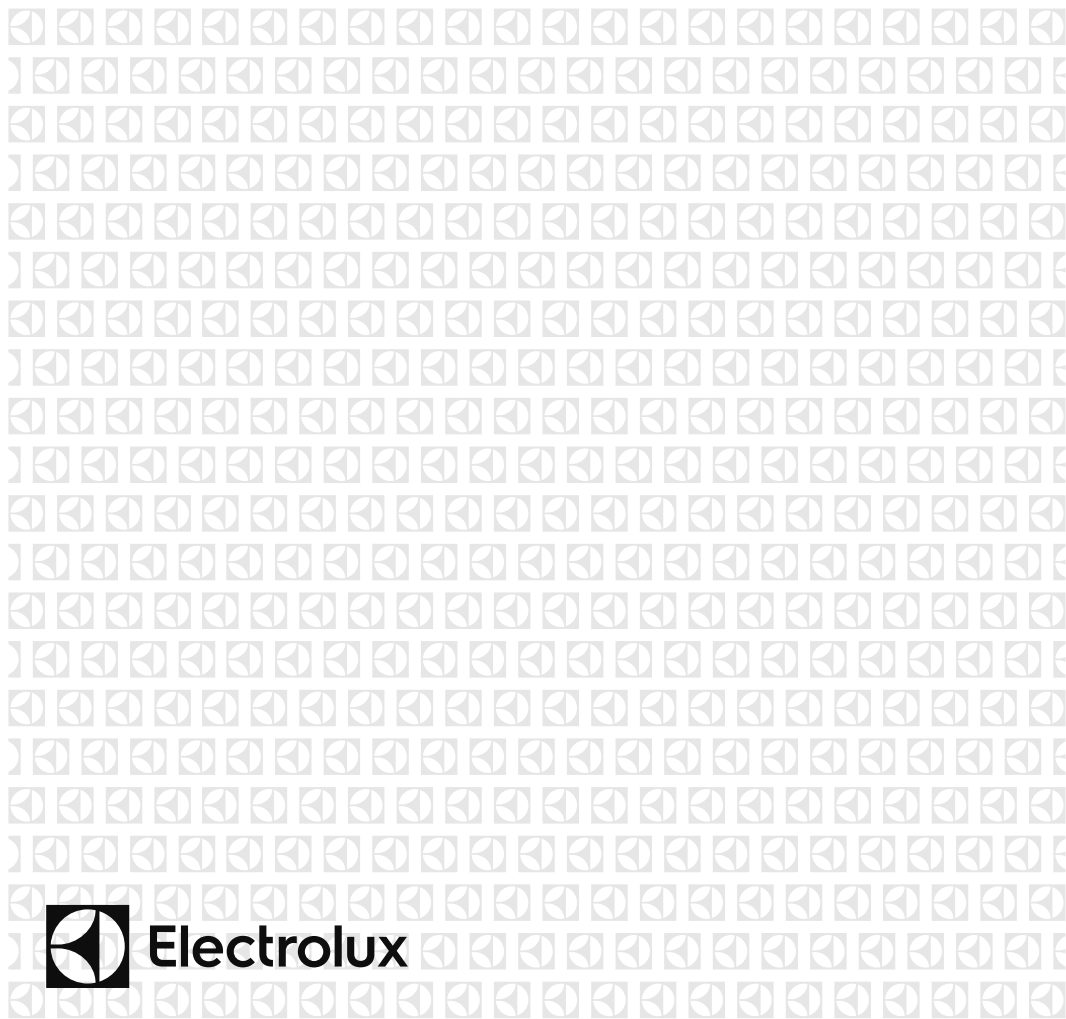




EN Microwave Oven
PL Kuchenka Mikrofalowa

User Manual
Instrukcja Obsługi

2
19



Electrolux

CONTENTS

1. SAFETY INFORMATION.....	3
2. INSTALLATION	7
3. PRODUCT DESCRIPTION	11
4. OPERATION	12
5. HINTS AND TIPS	15
6. TROUBLESHOOTING.....	17
7. TECHNICAL INFORMATION.....	18
8. ENVIRONMENT CONCERNS.....	18

WE'RE THINKING OF YOU

Thank you for purchasing an Electrolux appliance. You've chosen a product that brings with it decades of professional experience and innovation. Ingenious and stylish, it has been designed with you in mind. So whenever you use it, you can be safe in the knowledge that you'll get great results every time. Welcome to Electrolux.

Visit our website for:



Get usage advice, brochures, trouble shooter, service information:
www.electrolux.com



Register your product for better service:
www.electrolux.com/productregistration



Buy Accessories, Consumables and Original spare parts for your appliance:
www.electrolux.com/shop

CUSTOMER CARE AND SERVICE

We recommend the use of original spare parts.

When contacting Service, ensure that you have the following data available.

The information can be found on the rating plate. Model, PNC, Serial Number.

 Warning/Caution-Safety information

 General information and tips

 Environmental information

Subject to change without notice.

1. SAFETY INFORMATION

This appliance can be used by children aged from 8 years and above and persons with reduced physical, sensory or mental capabilities or lack of experience and knowledge if they have been given supervision or instruction concerning use of the appliance in a safe way and understand the hazards involved. Children should be supervised to ensure that they do not play with the appliance. Cleaning and user maintenance shall not be made by children unless they are aged from 8 years and above and supervised.

This appliance is not intended for use at altitudes above 2000m.



IMPORTANT! IMPORTANT SAFETY INSTRUCTIONS: READ CAREFULLY AND KEEP FOR FUTURE REFERENCE.



WARNING!

If the door or door seals are damaged, the oven must not be operated until it has been repaired by a competent person.



WARNING!

It is hazardous for anyone other than a competent person to carry out any service or repair operation that involves the removal of a cover which gives protection against exposure to microwave energy.



WARNING!

Liquids and other foods must not be heated in sealed containers since they are liable to explode.

This appliance is intended to be used in household and similar applications such as: staff kitchen areas in shops, offices and other working environments; farm houses; by clients in hotels, motels and other residential environments; bed and breakfast type environments.

Only use microwave-safe containers and utensils.

Metallic containers for food and beverages are not allowed during microwave cooking.

Do not leave the oven unattended when using disposable plastic, paper or other combustible food containers.

The microwave oven is intended for heating food and beverages. Drying of food or clothing and heating of warming pads, slippers, sponges, damp cloth and similar may lead to risk of injury, ignition or fire.

If food being heated begins to smoke, DO NOT OPEN THE DOOR. Turn off and unplug the oven and wait until the food has stopped smoking. Opening the door while food is smoking may cause a fire.

Microwave heating of beverages can result in delayed eruptive boiling, therefore care has to be taken when handling the container.

The contents of feeding bottles and baby food jars shall be stirred or shaken and the temperature checked before consumption, in order to avoid burns.

Do not cook eggs in their shells and whole hard boiled eggs should not be heated in microwave ovens since they may explode even after microwave cooking has ended.

1.1 Care and cleaning

Door:

To remove all trace of dirt, regularly clean both sides of the door, the door seals and sealing surfaces with a soft, damp cloth. Do not use harsh abrasive cleaners or sharp metal scrapers to clean the oven door glass since they can scratch the surface, which may result in shattering of the glass.

Oven interior:

For cleaning, wipe any splatters or spills with a soft damp cloth or sponge after each use while the oven is still warm. For heavier spills, use a mild soap and wipe several times with a damp cloth until all residues are removed. Do not remove the waveguide cover. Make sure that mild soap or water does not penetrate the small vents in the walls which may cause damage to the oven. Do not use spray type cleaners on the oven interior. Heat up your oven regularly by using the grill. Remaining food or fat splashed can cause smoke or a bad smell. Clean the waveguide cover, the oven cavity, the turntable and turntable support after use. These must be dry and free from grease. Built-up grease may overheat and begin to smoke or catch fire.

Oven exterior:

The outside of your oven can be cleaned easily with mild soap and water. Make sure the soap is wiped off with a moist cloth, and dry the exterior with a soft towel.

Control panel:

Open the door before cleaning to de-activate the control panel. Care should be taken when cleaning the control panel. Using a cloth dampened with water only, gently wipe the panel until it becomes clean. Avoid using excessive amounts of water. Do not use any sort of chemical or abrasive cleaner.

Turntable and turntable support:

Remove the turntable and turntable support from the oven. Wash the turntable and turntable support in mild soapy water. Dry with a soft cloth. Both the turntable and the turntable support are dishwasher safe.

Racks:

These should be washed in a mild washing up liquid solution and dried. The racks are dishwasher safe.



IMPORTANT!

Clean the oven at regular intervals and remove any food deposits. Failure to maintain the oven in a clean condition could lead to a deterioration of the surface that could adversely affect the life of the appliance and possibly result in a hazardous situation.

Care should be taken not to displace the turntable when removing containers from the appliance.



IMPORTANT!

A steam cleaner should not be used.

The microwave oven is intended to be used built-in.

The appliance and its accessible parts become hot during use. Care should be taken to avoid touching heating elements.



WARNING!

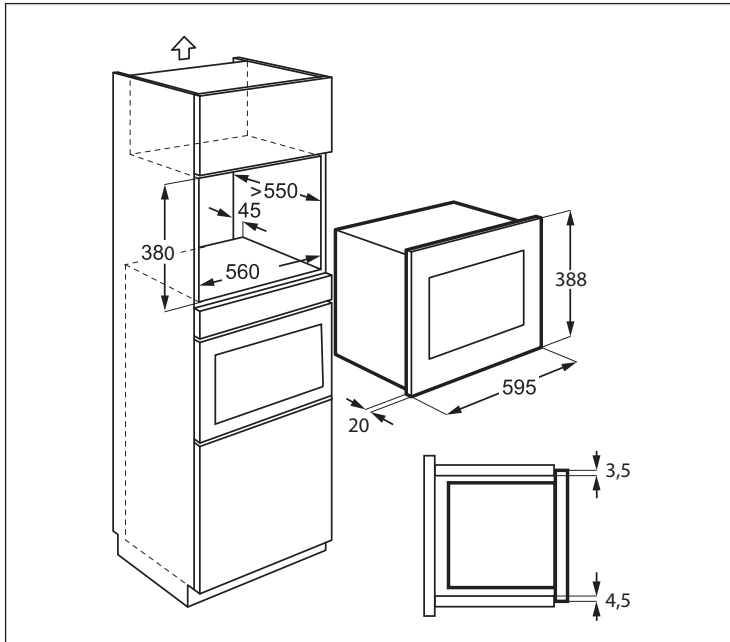
Keep children away from the door and accessible parts that may become hot when the grill is in use. Children should be kept away to prevent them burning themselves.



IMPORTANT!

Do not use commercial oven cleaners, steam cleaners, abrasive, harsh cleaners, any that contain sodium hydroxide or scouring pads on any part of your microwave oven.

2. INSTALLATION



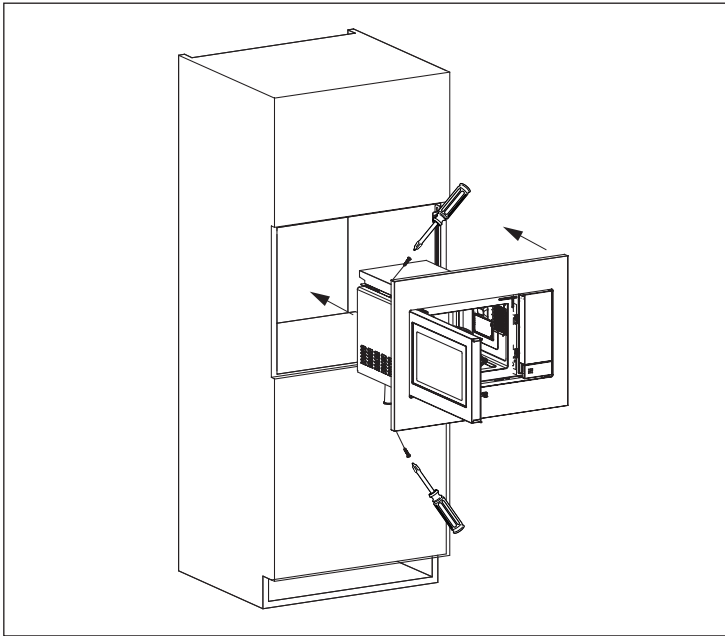
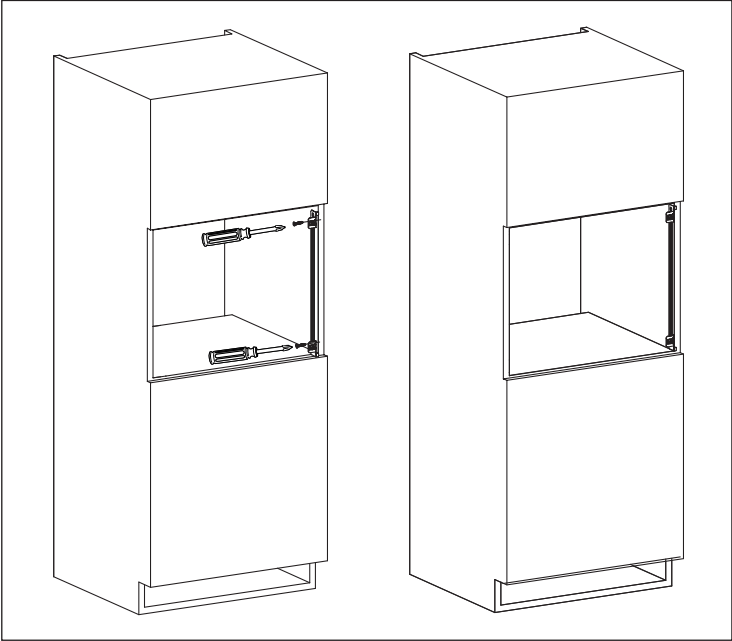
2.1 Installing the appliance

1. Remove all packaging and check carefully for any signs of damage.
2. Fit the fixing bracket to the right hand side of the kitchen cupboard using the installation sheet and two screws supplied.
3. Fit the appliance into the kitchen cupboard slowly and without force until it clips into the brackets. Ensure the appliance is stable and centralised.
4. Fix the oven on the left hand side using the two screws supplied.
5. The front frame of the appliance should seal against the front opening of the cupboard.

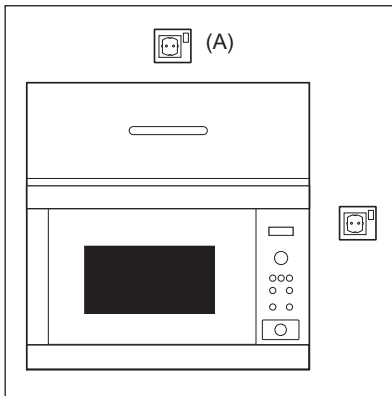


IMPORTANT!

Do not install this appliance in kitchen cupboards without the specified 45mm rear chimney. Inadequate ventilation could adversely affect the performance and life of the appliance.



2.2 Connecting the appliance to the power supply



- The electrical outlet should be readily accessible so that the unit can be unplugged easily in an emergency. Or it should be possible to isolate the oven from the supply by incorporating a switch in the fixed wiring in accordance with the wiring rules.
- The power supply cord may only be replaced by an electrician.
- If the supply cord is damaged it must be replaced by the manufacturer, its service agent or similarly qualified persons in order to avoid a hazard.
- The socket should not be positioned behind the cupboard.
- The best position is above the cupboard, see (A).
- Connect the appliance to a single phase 220-240 V/50 Hz alternating current via a correctly installed earth socket. The socket must be fused with a 16 A fuse.
- Before installing, tie a piece of string to the power supply cord to facilitate connection to point (A) when the appliance is being installed.
- When inserting the appliance into the high-sided cupboard, DO NOT crush the power supply cord.
- Do not immerse the power supply cord or plug in water or any other liquid.
- Do not allow the power supply cord to run over any hot or sharp surfaces, such as the hot air vent area at the top rear of the oven.

2.3 Additional advice

Do not use the microwave oven to heat oil for deep frying. The temperature cannot be controlled and the oil may catch fire. To make popcorn, only use special microwave popcorn makers.

Individuals with PACEMAKERS should check with their doctor or the manufacturer of the pacemaker for precautions regarding microwave ovens.

Never spill or insert any objects into the door lock openings or ventilation openings. In the event of a spill, turn off and unplug the oven immediately and call an authorised ELECTROLUX service agent.

Never modify the oven in any way.

Only use the turntable and the turntable support designed for this oven. Do not operate the oven without the turntable.

To prevent the turntable from breaking:

- Before cleaning the turntable with water, leave the turntable to cool.
- Do not put hot foods or hot utensils on a cold turntable.
- Do not put cold foods or cold utensils on a hot turntable.

Do not use plastic containers for microwaving if the oven is still hot from using the GRILL mode because they may melt. Plastic containers must not be used during above modes unless the container manufacturer says they are suitable.

Neither the manufacturer nor the dealer can accept any liability for damage to the oven or personal injury resulting from failure to observe the correct electrical connection procedure. Water vapour or drops may occasionally form on the oven walls or around the door seals and sealing surfaces. This is a normal occurrence and is not an indication of microwave leakage or a malfunction.

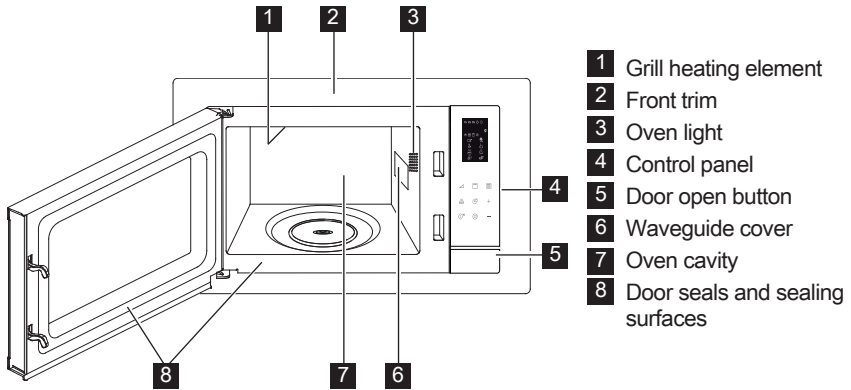


WARNING!

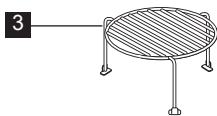
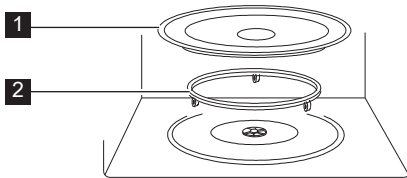
After GRILL mode the oven cavity, door, oven cabinet and accessories will become very hot. Before cleaning, make sure they are completely cool.

3. PRODUCT DESCRIPTION

3.1 Microwave oven



3.2 Accessories



Check to make sure the following accessories are provided:

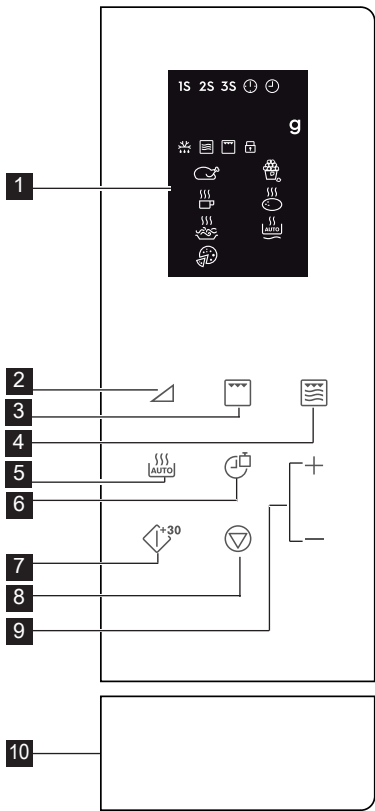
- 1 Turntable
- 2 Turntable support
- 3 High rack

- Place the turntable support on the floor of the cavity.
- Then place the turntable on the turntable support.
- To avoid turntable damage, ensure dishes or containers are lifted clear of the turntable rim when removing them from the oven.



When you order accessories, please mention two items: part name and model name to your dealer or an authorised ELECTROLUX service agent.

3.3 Control panel



- | | |
|---|---|
| <p>1 Digital display indicators:</p> <p>1S 2S 3S Multi stage cooking</p> <p> Clock set</p> <p> Clock setting</p> <p>g Weight</p> <p> Auto Defrost</p> <p> Microwave</p> <p> Grill</p> <p> Child safety lock</p> <p> Chicken</p> <p> Beverages</p> <p> Spaghetti</p> <p> Pizza</p> <p> Popcorn</p> <p> Potato</p> <p> Auto Reheat</p> | <p>2 Power level key</p> <p>3 Grill key</p> <p>4 Micro. + grill key</p> <p>5 Auto cook key</p> <p>6 Clock/weight key</p> <p>7 Start/quick start key</p> <p>8 Pause/cancel key</p> <p>9 Time +/- key</p> <p>10 Door open button</p> |
|---|---|

4. OPERATION

4.1 Setting the clock

When the oven is plugged in for the first time you can have the option of setting the clock. The oven has a 12 and 24 hour clock.

Example: To set the clock.

1. In standby mode, press the **Clock/Weight** key once to set 12 hour clock, if you want to set 24 hour clock, press it again.

2. Press the **Time +/-** key to adjust the hour.
3. Press the **Clock/Weight** key to confirm.
4. Press the **Time +/-** key to adjust the minutes.
5. Press the **Clock/Weight** key to confirm.

During cooking, you can press the **Clock/Weight** key to check the time of day.

4.2 Microwave cooking

Microwave cooking allows you to customize the cooking power and time. First, you select a power level by pressing the **Power Level** key (see the table below). Press the **Time +/-** key to enter the cooking time. Maximum cooking time is 95 minutes.

Example: To cook for 5 minutes at 60 % power level.

1. Open the oven door and place the food inside. Close the door.
2. Press the **Power Level** key 5 times.
3. Press the **Time +/-** key to enter the cooking time.
4. Press the **Start/Quick Start** key.

i To check the microwave power level during cooking press the **Power Level** key. The power level default is 100 %.

At the end of cooking, the system will beep and End is displayed. Before starting another cooking session, press any key to clear the display and reset the system. Power levels that are too high or cooking times that are too long may overheat foods resulting in a fire.

Power Level Key	Power Level
x 1	100 % (P100)
x 2	90 % (P-90)
x 3	80 % (P-80)
x 4	70 % (P-70)
x 5	60 % (P-60)
x 6	50 % (P-50)
x 7	40 % (P-40)
x 8	30 % (P-30)
x 9	20 % (P-20)
x 10	10 % (P-10)
x 11	0 % (P-00)

4.3 Grill

Grill cooking is particularly useful for thin slices of meat, steaks, chops, kebabs, sausages and pieces of chicken. It is also suitable for hot sandwiches and au gratin dishes. Maximum cooking time is 95 minutes.

Example: To grill for 12 minutes.

1. Open the oven door and place the food inside. Close the door.
2. Press the **Grill** key.
3. Press the **Time +/-** key to enter cooking time.
4. Press the **Start/Quick Start** key.

! **IMPORTANT!** The rack is recommended for grilling.

4.4 Micro. + Grill

Combi Micro/Grill mode combines the microwave and the grill functions at different time periods during cooking. Maximum cooking time is 95 minutes.

Example: To set Combi cooking for 25 minutes.

1. Open the oven door and place the food inside. Close the door.
2. Press the **Micro. + Grill** key once or twice.
3. Press the **Time +/-** key to enter the cooking time.
4. Press the **Start/Quick Start** key.

Micro. + Grill Key	Microwave	Grill	Use
x 1 Co - 1	30 %	70 %	fish, potatoes, au gratin
x 2 Co - 2	55 %	45 %	pudding, omelette, baked potatoes, poultry

4.5 Quick start

You can directly start cooking on 100 % for 30 seconds by pressing the **Start/Quick Start** key.

i To add more time press the **Start/Quick Start** key.

4.6 Auto cook

Auto cook automatically works out the correct cooking mode and cooking time. You can choose from 8 menus.

Auto Cook Food		Cooking Mode
A - 01	Chicken 800 - 1400 g	Micro. + Grill
A - 02	Popcorn 99 g	Micro.
A - 03	Milk/Coffee 1 - 3 cups	Micro.
A - 04	Baked Potato 1 - 3 pcs	Micro.
A - 05	Spaghetti 100 - 300 g	Micro.
A - 06	Auto Reheat 200 - 800 g	Micro.
A - 07	Pizza 150 - 450 g	Micro. + Grill
A - 08	Auto Defrost	Micro.

1. Open the oven door and place the food inside. Close the door.
2. Press the **Auto Cook** key to select the food.
3. Press the **Clock/Weight** key to select amount or weight.
4. Press the **Start/Quick Start** key.

i Turn the chicken 2 to 3 times during cooking, close the oven door and press the **Start/Quick Start** key to resume cooking.

4.7 Auto defrost

Auto defrost automatically works out the correct cooking mode for defrosting food.

Example: To defrost frozen food for 10 minutes.

1. Open the oven door and place the food inside. Close the door.
2. Press the **Auto Cook** key 8 times until it shows A-08.
3. Press the **Time +/-** key to set 10 minutes.
4. Press the **Start/Quick Start** key.

i Turn the chicken 2 to 3 times during defrosting, close the oven door and press the **Start/Quick Start** key to resume cooking.

4.8 Multi-stage cooking

A sequence of 3 stages (maximum) can be programmed.

Example: To cook:

Stage 1: 2 minutes 30 seconds at 70 %

Stage 2: 5 minutes grill

1. Open the oven door and place the food inside. Close the door.
2. Press the **Power Level** key 4 times.
3. Press the **Time +/-** key to enter the cooking time.
4. Press the **Grill** key once.
5. Press the **Time +/-** key to enter the cooking time.
6. Press the **Start/Quick Start** key.

i Auto Cook, Auto Defrost, and Quick Start cannot be set as a multi-stage cooking program.

4.9 Child safety lock

The child proof lock prevents unsupervised operation by children. The child safety lock is automatically enabled after 1 minute of no operation by the user. To cancel open the door.

4.10 Pause

To pause whilst the microwave is running.

1. Press the **Pause/Cancel** key once to enter pause mode during cooking.
2. Press the **Start/Quick Start** key to continue cooking.


i The oven will stop operating when the door is opened.


5. HINTS AND TIPS

5.1 Microwave safe cookware

Cookware	Microwave safe	Comments
Aluminium foil/containers	✓ / ✗	Small pieces of aluminium foil can be used to shield food from overheating. Keep foil at least 2 cm from the oven walls, as arcing may occur. Foil containers are not recommended unless specified by the manufacturer. Follow instructions carefully.
China and ceramics	✓ / ✗	Porcelain, pottery, glazed earthenware and bone china are usually suitable, except for those with metallic decoration.
Glassware e.g. Pyrex®	✓	Care should be taken if using fine glassware as it can break or crack if heated suddenly.
Metal	✗	It is not recommended to use metal cookware when using microwave power as it will arc, which can lead to fire.
Plastic/polystyrene e.g. fast food containers	✓	Care must be taken as some containers warp, melt or discolour at high temperatures.
Freezer/roasting bags	✓	Must be pierced to let steam escape. Ensure bags are suitable for microwave use. Do not use plastic or metal ties, as they may melt or catch fire due to the metal arcing.
Paper-plates, cups and kitchen paper	✓	Only use for warming or to absorb moisture. Care must be taken as overheating may cause fire.
Straw and wooden containers	✓	Always attend the oven when using these materials as overheating may cause fire.
Recycled paper and newspaper	✗	May contain extracts of metal which will cause arcing and may lead to fire.

5.2 Microwave cooking advice

Microwave cooking advice	
Composition	Foods high in fat or sugar (e.g. Christmas pudding, mince pies) require less heating time. Care should be taken as overheating can lead to fire.
Size	For even cooking make all the pieces the same size.
Temperature of food	The initial temperature of food affects the amount of cooking time needed. Cut into foods with fillings (e.g. jam doughnuts) to release heat or steam.
Arrange	Place the thickest parts of food towards the outside of the dish (e.g. chicken drumsticks).
Cover	Use vented microwave cling film or a suitable lid.
Pierce	Foods with a shell, skin or membrane must be pierced in several places before cooking or reheating as steam will build up and may cause food to explode (e.g. potatoes, fish, chicken, sausages).  IMPORTANT! Eggs should not be heated using microwave power as they may explode, even after cooking has ended (e.g. poached, hard boiled).
Stir, turn and rearrange	For even cooking it is essential to stir, turn and rearrange food during cooking. Always stir and rearrange from the outside towards the centre.
Stand	Standing time is necessary after cooking to enable the heat to disperse equally throughout the food.
Shield	Warm areas can be shielded with small pieces of foil, which reflect microwaves (e.g. legs and wings on a chicken).

-  Use pot holders or oven gloves when removing food from the oven to prevent burns. Always open containers, popcorn makers, oven cooking bags, etc., away from the face and hands to avoid steam burns. Always stand back from the oven door when opening to avoid burns from escaping steam and heat. Slice stuffed baked foods after heating to release steam and avoid burns.

6. TROUBLESHOOTING

Problem	Check if . . .
The microwave appliance is not working properly?	<ul style="list-style-type: none"> • The fuses in the fuse box are working. • There has not been a power outage. • If the fuses continue to blow, please contact a qualified electrician.
The microwave mode is not working?	<ul style="list-style-type: none"> • The door is properly closed. • The door seals and their surfaces are clean. • The START key has been pressed.
The turntable is not turning?	<ul style="list-style-type: none"> • The turntable support is correctly connected to the drive. • The ovenware does not extend beyond the turntable. • Food does not extend beyond the edge of the turntable preventing it from rotating. • There is nothing in the well beneath the turntable.
The microwave will not switch off?	<ul style="list-style-type: none"> • Isolate the appliance from the fuse box. • Call an authorised ELECTROLUX service agent.
The interior light is not working?	<ul style="list-style-type: none"> • Call your authorised ELECTROLUX service agent. The interior light can be exchanged only by a trained authorised ELECTROLUX service agent.
The food is taking longer to heat through and cook than before?	<ul style="list-style-type: none"> • Set a longer cooking time (double quantity = nearly double time) or • If the food is colder than usual, rotate or turn from time to time or • Set a higher power setting.




If the oven operates in any mode for 2 minutes or longer, the fan will stay on for 3 minutes after the cooking ends.

7. TECHNICAL INFORMATION


AC Line Voltage	220-240 V, 50 Hz, single phase	
Distribution line fuse/circuit breaker	Minimum 16 A	
AC Power required:	Microwave	1.400 kW
	Grill	1.000 kW
Output power:	Microwave	900 W (IEC 60705)
	Grill	1000 W
Microwave Frequency	2450 MHz ¹⁾ (Group 2/Class B)	
Outside Dimensions:	LMS4253TM	595 mm (W) 388 mm (H) 378 mm (D)
Cavity Dimensions	340 mm (W) x 220 mm (H) x 364 mm (D) ²⁾	
Oven Capacity	25 litres ²⁾	
Turntable	ø 270 mm, glass	
Weight	approx. 15.7 kg	

- 1) This Product fulfils the requirement of the European standard EN55011. In conformity with this standard, this product is classified as group 2 class B equipment. Group 2 means that the equipment intentionally generates radio-frequency energy in the form of electromagnetic radiation for the heat treatment of food. Class B equipment means that the equipment is suitable to be used in domestic establishments.
- 2) Internal capacity is calculated by measuring maximum width, depth and height. Actual capacity for holding food is less.

8. ENVIRONMENT CONCERNS

Recycle materials with the symbol . Put the packaging in applicable containers to recycle it.

Help protect the environment and human health and recycle waste electrical and electronic appliances.

Do not dispose of appliances marked with the symbol  with household waste. Return the product to your local recycling facility or contact your municipal office.

SPIS TREŚCI

1. WAŻNE INFORMACJE DOTYCZĄCE BEZPIECZEŃSTWA	20
2. MONTAŻ	25
3. PRZEGLĄD URZĄDZENIA.....	29
4. OBSŁUGA	30
5. PODPOWIEDZI I WSKAZÓWKI.....	34
6. ROZWIĄZYWANIE PROBLEMÓW.....	36
7. DANE TECHNICZNE	37
8. INFORMACJE DOTYCZĄCE OCHRONY ŚRODOWISKA	37

Z MYŚLĄ O TOBIE

Dziękujemy za zakup urządzenia Electrolux. Jest ono owocem dziesięcioleci doświadczeń i innowacji. To pomysłowe i stylowe urządzenie zostało zaprojektowane z myślą o Tobie. Użytkując je, możesz mieć zawsze pewność uzyskania wspaniałych efektów. Witamy w świecie marki Electrolux!

Zapraszamy na naszą witrynę internetową, aby uzyskać:



Wskazówki dotyczące użytkowania, broszury, pomoc w rozwiązywaniu problemów oraz informacje dotyczące serwisu:
www.electrolux.com



Zarejestruj swój produkt, aby uprościć jego obsługę serwisową:
www.electrolux.com/productregistration



Kupuj akcesoria, materiały eksploatacyjne i oryginalne części zamienne do swojego urządzenia:
www.electrolux.com/shop

OBSŁUGA KLIENTA

Zalecamy stosowanie oryginalnych części zamiennych.
Kontaktując się z serwisem, należy przygotować poniższe dane.
Informacje można znaleźć na tabliczce znamionowej. Model, numer produktu, numer seryjny.

 Ostrzeżenie/przestroga – informacje dotyczące bezpieczeństwa

 Ogólne informacje i wskazówki

 Informacje dotyczące środowiska naturalnego

Może ulec zmianie bez powiadomienia.

1. ⚠️ WAŻNE INFORMACJE DOTYCZĄCE BEZPIECZEŃSTWA

Urządzenie mogą użytkować dzieci powyżej 8 roku życia oraz osoby o ograniczonych możliwościach fizycznych lub umysłowych, przez osoby niedoświadczone lub o niewystarczającej wiedzy pod warunkiem, że korzystają z urządzenia pod nadzorem lub zostały poinstruowane w zakresie bezpiecznej obsługi urządzenia i znają niebezpieczeństwa związane z użytkowaniem urządzenia. Należy dopilnować, aby dzieci nie bawiły się urządzeniem. Dzieci powyżej 8 roku życia nie mogą czyścić i przeprowadzać konserwacji urządzenia bez nadzoru. Urządzenie nie nadaje się do użytku na wysokości powyżej 2000 m.



WAŻNE! WAŻNE INFORMACJE DOTYCZĄCE BEZPIECZEŃSTWA: NALEŻY PRZECZYTAĆ JE UWAŻNIE I ZACHOWAĆ DO UŻYTKU W PRZYSZŁOŚCI.



OSTRZEŻENIE!

Jeśli drzwiczki lub uszczelki drzwiczek są uszkodzone, nie wolno korzystać z kuchenki, dopóki nie zostanie naprawiona przez wykwalifikowanego serwisanta.



OSTRZEŻENIE!

Wszelkie czynności serwisowe lub naprawy wymagające demontażu obudowy chroniącej przed promieniowaniem mikrofalowym mogą być wykonywane wyłącznie przez wykwalifikowane osoby.



OSTRZEŻENIE!

Nie wolno podgrzewać płynów ani żywności w szczelnych pojemnikach, ponieważ mogą wybuchnąć.

Urządzenie przeznaczone jest do użytku domowego i podobnych zastosowań takich jak: kuchnie dla personelu w sklepach, biurach i innych pomieszczeniach roboczych; gospodarstwa; przez klientów w hotelach, motelach i innych pomieszczeniach mieszkalnych; pensjonaty i pokoje gościnne.

Należy używać wyłącznie naczyń i sztućców przeznaczonych dla kuchenek mikrofalowych.

Korzystanie z metalowych naczyń do przygotowania żywności i napojów w kuchence mikrofalowej jest zabronione.

Korzystając z jednorazowych pojemników na żywność wykonanych z plastiku, papieru lub innych łatwopalnych materiałów nie należy pozostawiać kuchenki bez nadzoru.

Kuchenka mikrofalowa służy do podgrzewania pożywienia i napojów. Suszenie w niej pożywienia lub ubrań i podgrzewanie plastrów rozgrzewających, kapci, gąbek, wilgotnych szmatek itp. niesie ryzyko obrażeń, zapłonu lub pożaru.

Jeżeli podgrzewana żywność zacznie dymić, **NIE WOLNO OTWIERAĆ** Drzwi. Należy wyłączyć urządzenie, odłączyć je od źródła zasilania i poczekać, aż żywność przestanie dymić. Otwarcie drzwi, gdy żywność dymi może spowodować pożar.

Podgrzewanie napojów w kuchence mikrofalowej może spowodować opóźnione wrzenie z wyrzutem płynu, dlatego podczas wyjmowania pojemnika należy zachować ostrożność.

Zawartość butelek do karmienia niemowląt oraz słoiczków z żywnością dla dzieci powinna być przed podaniem do spożycia zamieszana lub wstrząśnięta, a ich temperatura sprawdzona, żeby uniknąć oparzeń.

W kuchenkach mikrofalowych nie należy gotować jajek w skorupkach ani podgrzewać całych jajek na twardo, ponieważ mogą wybuchnąć nawet po zakończeniu gotowania.

1.1 Konserwacja i czyszczenie

Drzwi:

Aby usunąć brud, należy regularnie czyścić obie ich strony, uszczelki drzwi oraz powierzchnie uszczelniające miękką i wilgotną ściereczką. Do czyszczenia szyby drzwi nie należy używać agresywnych środków ściernych ani ostrych metalowych druciaków, ponieważ może to spowodować uszkodzenie szyby.

Wnętrze kuchenki:

W celu wyczyszczenia należy wytrzeć plamy miękką i wilgotną ściereczką lub gąbką po każdym użyciu, gdy kuchenka jest ciepła. Trudniejsze do usunięcia plamy należy kilkakrotnie przecierać ściereczką zwilżoną w łagodnym roztworze mydła, aż do usunięcia plamy. Nie należy zdejmować osłony generatora mikrofal. Należy uważać, aby łagodny roztwór mydła ani woda nie dostały się do małych otworów w ściankach, ponieważ może to spowodować uszkodzenie kuchenki. We wnętrzu kuchenki nie należy używać środków czyszczących w aerozolu. Kuchenkę należy regularnie podgrzewać, używając grilla. Pozostawione resztki żywności i tłuste plamy mogą spowodować powstawanie dymu lub nieprzyjemnych zapachów. Po zakończeniu korzystania należy wyczyścić osłonę generatora mikrofal, wnętrze kuchenki, podstawę obrotową i podpórkę podstawy obrotowej. Elementy te muszą być suche i nie mogą być tłuste. Nagromadzony tłuszcz może się przegrzać i zacząć dymić lub zapalić się.

Obudowa kuchenki:

Obudowę kuchenki można łatwo wyczyścić łagodnym roztworem wody i mydła. Mydło należy wytrzeć wilgotną ściereczką i osuszyć obudowę miękkim ręcznikiem.

Panel sterowania:

Przed rozpoczęciem czyszczenia należy otworzyć drzwi w celu wyłączenia panelu sterowania. Podczas czyszczenia panelu sterowania należy zachować ostrożność. Należy użyć tylko ściereczki zwilżonej wodą i delikatnie przetrzeć aż do wyczyszczenia. Nie należy używać nadmiernej ilości wody. Nie należy używać środków chemicznych ani ściernych.

Podstawa obrotowa i podpórka podstawy obrotowej:

Podstawę obrotową i podpórkę podstawy obrotowej należy wyjąć z kuchenki. Należy je umyć łagodnym roztworem mydła. Należy je wytrzeć miękką ściereczką. Podstawę obrotową i podpórkę podstawy obrotowej można myć w zmywarce.

Ruszty:

Należy je myć w łagodnym roztworze płynu do naczyń i wysuszyć. Ruszty można myć w zmywarce do naczyń.



WAŻNE!

Kuchenkę należy czyścić regularnie i usuwać resztki żywności. Zaniedbanie czyszczenia kuchenki może prowadzić do zniszczenia zanieczyszczonych powierzchni, zmniejszenia trwałości urządzenia, a nawet spowodować zagrożenie.

Wyjmując naczynia z kuchenki, należy zachować szczególną ostrożność, żeby nie przesunąć talerza obrotowego.



WAŻNE!

Nie należy używać urządzeń do czyszczenia parowego.

Ta kuchenka jest przeznaczona do instalacji w zabudowie.

Urządzenie i jego dostępne części nagrzewają się podczas użytkowania. Należy użytkować urządzenie ostrożnie, aby ich nie dotykać.



OSTRZEŻENIE!

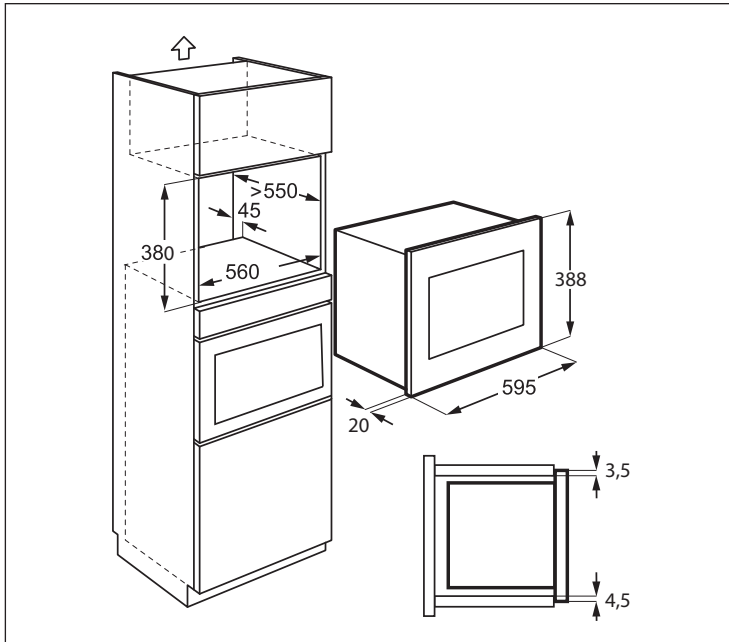
Aby zapobiec poparzeniu nie pozwalają dzieciom na przebywanie w pobliżu drzwi urządzenia. Nie wolno dotykać drzwiczek kuchenki, zewnętrznej obudowy, panelu tylnego, ścianek komory, otworów wentylacyjnych, akcesoriów ani naczyń podczas pracy w trybie.



WAŻNE!

Do czyszczenia jakiegokolwiek części kuchenki mikrofalowej nie należy używać dostępnych w sprzedaży środków czyszczących do kuchenek, urządzeń do czyszczenia parowego, środków ściernych, żrących środków czyszczących, środków zawierających wodorotlenek sodu lub druciaków.

2. MONTAŻ



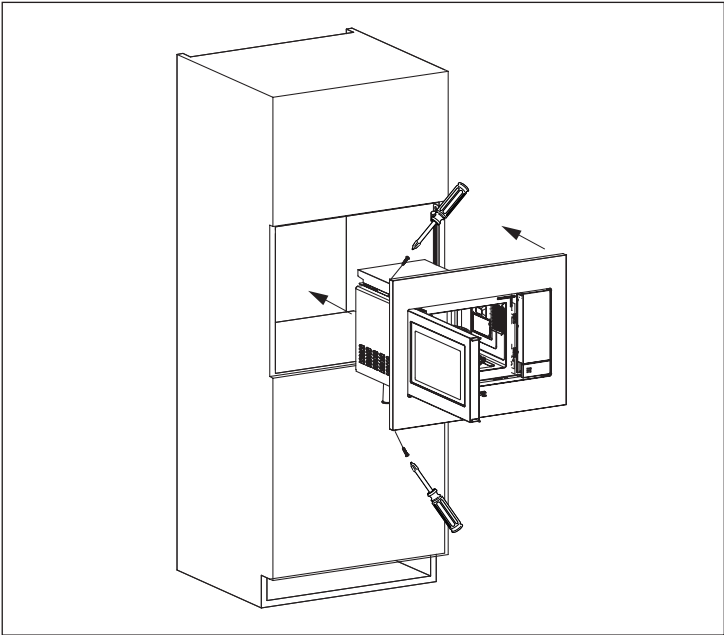
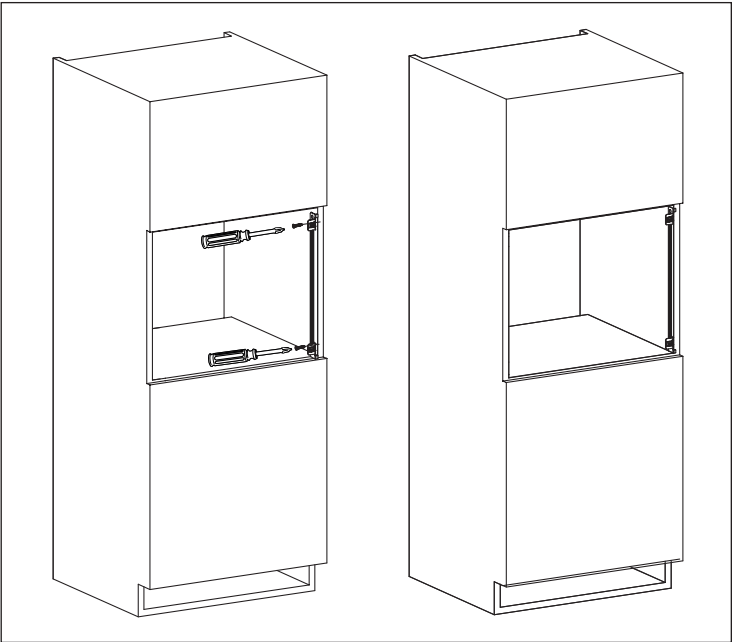
2.1 Montaż urządzenia

1. Zdejmij opakowanie i sprawdź dokładnie, czy urządzenie nie jest uszkodzone.
2. Zamontuj wspornik mocujący po prawej stronie szafki kuchennej wykorzystując szablon instalacyjny i dwie śruby dostarczone w zestawie.
3. Powoli włóż urządzenie do szafki kuchennej, nie używając siły, dopóki nie zostanie zamocowane na wspornikach. Upewnij się, że urządzenie jest zamocowane stabilnie i ustawione na środku.
4. Umocuj kuchenkę z lewej strony za pomocą 2 śrub dostarczonych w zestawie.
5. Przednia obudowa kuchenki powinna ściśle wypełniać przedni otwór szafki.

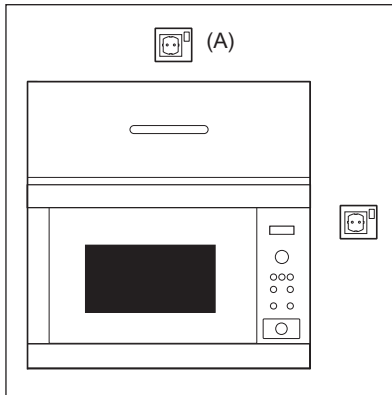
tylnego komina. Nieodpowiednia wentylacja może negatywnie wpłynąć na wydajność i trwałość urządzenia.

WAŻNE!

Nie wolno instalować urządzenia w szafkach kuchennych w przypadku braku określonego 45-milimetrowego



2.2 Podłączanie urządzenia do źródła zasilania



- Gniazdko elektryczne powinno być łatwo dostępne, aby w sytuacji awaryjnej można było szybko odłączyć urządzenie. Ewentualnie należy umożliwić odłączenie kuchenki od źródła zasilania, podłączając wyłącznik do instalacji zgodnie z odpowiednimi zaleceniami dotyczącymi okablowania.
- Wyłącznie elektryk może dokonać wymiany przewodu zasilającego.
- Jeśli przewód zasilający jest uszkodzony, musi zostać wymieniony przez producenta, jego autoryzowanego serwisanta lub odpowiednio wykwalifikowaną osobę, żeby uniknąć niebezpieczeństwa.
- Gniazdko nie powinno być umieszczone za szafką.
- Najlepsza pozycja, to gniazdko umieszczone nad szafką, patrz pozycja (A).
- Podłącz urządzenie do jednofazowego źródła zasilania prądem zmiennym o napięciu 220-240 V/50 Hz za pośrednictwem prawidłowo zamontowanego i uziemionego gniazdka. Obwód gniazdka elektrycznego należy zabezpieczyć bezpiecznikiem 16 A.
- Przed rozpoczęciem montażu należy przywiązać sznurek do przewodu zasilającego w celu ułatwienia podłączenia do punktu (A) podczas montażu urządzenia.
- Podczas wkładania urządzenia do wysokiej szafki należy uważać, aby NIE przygnieść przewodu zasilającego.
- Nie należy zanurzać przewodu zasilającego ani wtyczki w wodzie lub innych płynach.
- Nie należy umieszczać przewodu zasilającego nad gorącymi lub ostro zakończonymi powierzchniami, na przykład otworem odprowadzania gorącego powietrza u góry tylnej części kuchenki.

2.3 Dodatkowe wskazówki

Nie należy używać kuchenki mikrofalowej do podgrzewania oleju w celu smażenia. Kontrola temperatury będzie niemożliwa, a olej może się zapalić. Aby przygotować prażoną kukurydzę, należy użyć specjalnych pojemników.

Osoby korzystające z ROZRUSZNIKÓW SERCA powinny skontaktować się lekarzem lub producentem rozrusznika, aby uzyskać informacje o środkach ostrożności dotyczących korzystania z kuchenek mikrofalowych.

Nie należy wlewać płynów ani wkładać żadnych przedmiotów do otworów blokady drzwi ani otworów wentylacyjnych. W przypadku zalania kuchenki należy natychmiast odłączyć ją od sieci elektrycznej i porozumieć się z autoryzowanym serwisem ELECTROLUX.

Nie wolno w żaden sposób modyfikować kuchenki.

Należy używać wyłącznie podstawy obrotowej i podpórki podstawy obrotowej przeznaczonych dla tej kuchenki. Nie należy używać kuchenki bez podstawy obrotowej.

Aby uniknąć uszkodzenia podstawy obrotowej:

- Przed wymyciem podstawy obrotowej należy pozostawić ją do ostygnięcia.
- Nie należy kłaść gorących potraw ani sztućców na zimną podstawę obrotową.
- Nie należy kłaść zimnych potraw ani sztućców na gorącą podstawę obrotową.

Nie wolno używać plastikowych naczyń, jeśli komora operacyjna nie ostygła jeszcze po użyciu GRILLA, ponieważ mogłyby się roztopić. Nie należy korzystać z plastikowych naczyń w powyższych trybach, chyba że ich producent określi, że są odpowiednie.

Producent ani sprzedawca nie ponoszą odpowiedzialności za obrażenia ciała spowodowane nieprawidłowym wykonaniem procedury podłączania do źródła zasilania. Na obudowie kuchenki lub wokół uszczelki drzwi może czasami gromadzić się para wodna lub krople wody. Jest to normalne zjawisko i nie oznacza nieszczelności ani uszkodzenia kuchenki.

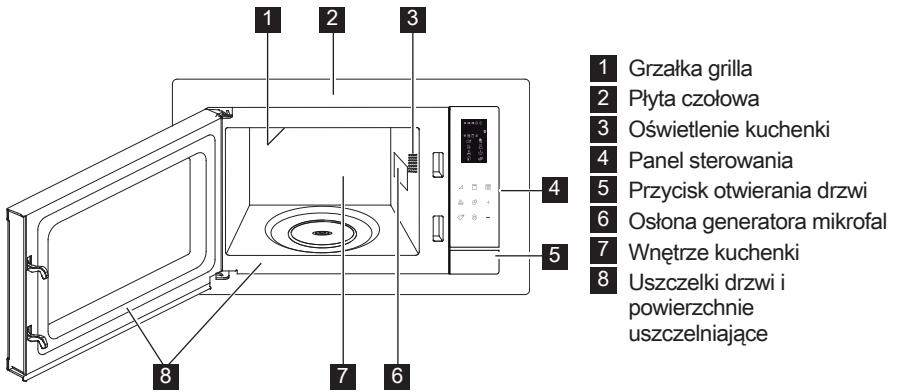


OSTRZEŻENIE!

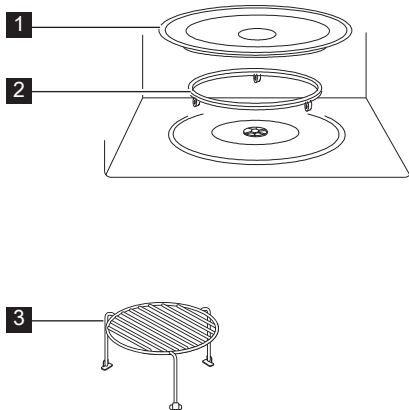
Po użyciu GRILLA komora operacyjna, drzwi, obudowa i elementy wyposażenia kuchenki stają się bardzo gorące. Przed rozpoczęciem czyszczenia upewnij się, że są całkowicie zimne.

3. PRZEGLĄD URZĄDZENIA

3.1 Kuchenka mikrofalowa



3.2 Akcesoria



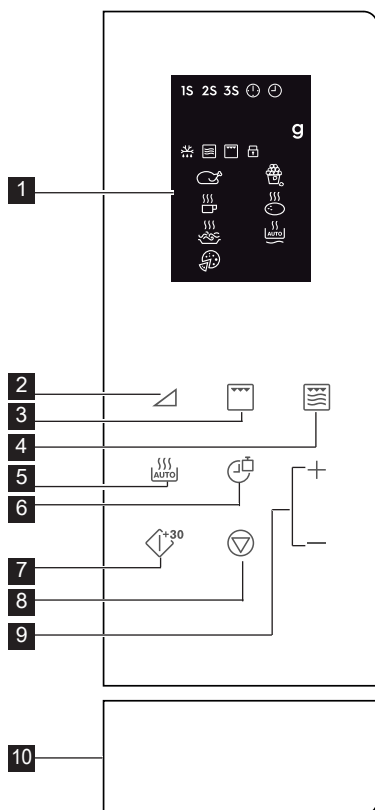
Należy sprawdzić, czy z kuchenką dostarczone są następujące akcesoria:

- 1 Podstawa obrotowa
- 2 Podpórka podstawy obrotowej
- 3 Wysoki ruszt

- Ułóż podpórkę podstawy obrotowej na dnie komory kuchenki.
- Następnie ustaw podstawę obrotową na podpórce podstawy obrotowej.
- Aby uniknąć uszkodzenia podstawy obrotowej, podczas wyjmowania potraw lub pojemników z kuchenki należy upewnić się, że są one podnoszone bez dotykania pierścienia podstawy obrotowej.

i Zamawiając akcesoria, należy podać sprzedawcy lub pracownikowi autoryzowanego serwisu ELECTROLUX dwie informacje: nazwę części i nazwę modelu.

3.3 Panel sterowania



1 Wskaźniki na wyświetlaczu:

1S 2S 3S Gotowanie wieloetapowe



Zegar ustawiony



Ustawianie zegara



Masa



Automatyczne rozmrażanie



Mikrofalę



Grill



Zabezpieczenie przed dziećmi



Kurczak



Napoje



Spaghetti



Pizza



Prażona kukurydza



Ziemniaki



Automatyczne podgrzewanie

2 Przyciski poziomów mocy

3 Przycisk grillowania

4 Przycisk mikrofalę + grill

5 Przycisk automatyczne gotowanie

6 Przycisk czas/masa

7 Przycisk start/szybki start

8 Przycisk pauza/anulowanie

9 Przycisk czas +/-

10 Przycisk otwierania drzwi

4. OBSŁUGA

4.1 Ustawienie zegara


Po podłączeniu kuchenki po raz pierwszy można ustawić zegar. Kuchenka wyposażona jest w zegar wyświetlający godzinę w systemie 12-godzinnym i 24-godzinny.

Przykład: Ustawienie zegara.

1. W trybie czuwania naciśnij 1 raz przycisk **Czas/Masa**, aby ustawić wyświetlanie wskaźników zegara w systemie 12-godzinnym. Jeśli chcesz

ustawić wyświetlanie wskaźników zegara w systemie 24-godzinny, ponownie naciśnij przycisk.

2. Naciśnij przycisk **Czas +/-**, aby ustawić godzinę.
3. Naciśnij przycisk **Czas/Masa**, aby zaakceptować.
4. Naciśnij przycisk **Czas +/-**, aby ustawić minutę.
5. Naciśnij przycisk **Czas/Masa**, aby zaakceptować.


 Podczas procesu możesz nacisnąć przycisk **Czas/Masa**, aby sprawdzić aktualną godzinę.

4.2 Gotowanie z użyciem mikrofal

Gotowanie z użyciem mikrofal pozwala dostosować poziom mocy mikrofal i czas gotowania. Najpierw należy wybrać poziom mocy naciskając przycisk **Poziom Mocy** (zapoznaj się z poniższą tabelą). Naciśnij przycisk **Czas +/-**, aby wprowadzić czas gotowania. Maksymalny czas gotowania wynosi 95 minut.

Przykład: Gotowanie: przez 5 minut z ustawieniem poziomu mocy na 60 %.

1. Otwórz drzwi kuchenki i włóż potrawę do środka. Zamknij drzwi.
2. Naciśnij 5 razy przycisk **Poziom Mocy**.
3. Naciśnij przycisk **Czas +/-**, aby wprowadzić czas gotowania.
4. Naciśnij przycisk **Start/Szybki Start**.

 W celu sprawdzenia poziomu mocy mikrofal podczas gotowania należy nacisnąć przycisk **Poziom Mocy**. Domyślny poziom mocy mikrofal to 100 %.

Po zakończeniu gotowania system wyemituje sygnał dźwiękowy i wyświetli się komunikat End. Przed rozpoczęciem kolejnej sesji gotowania naciśnij dowolny przycisk, aby wyczyścić wyświetlacz i zresetować system. Zbyt wysokie poziomy mocy lub zbyt długie czasy gotowania mogą doprowadzić do przegrzania potraw, powodując pożar.

Przyciski Poziomów Mocy	Poziomy Mocy
x 1	100 % (P100)
x 2	90 % (P-90)
x 3	80 % (P-80)
x 4	70 % (P-70)
x 5	60 % (P-60)
x 6	50 % (P-50)
x 7	40 % (P-40)
x 8	30 % (P-30)
x 9	20 % (P-20)
x 10	10 % (P-10)
x 11	0 % (P-00)

4.3 Grill

Tryb pracy z grillem nadaje się szczególnie do przygotowania cienkich plastów mięsa, steków, klopsów, kebabów, kiebasek oraz kawałków kurczaka. Sprawdzą się również przy przygotowaniu kanapek i zapiekanek. Maksymalny czas gotowania wynosi 95 minut.

Przykład: Grillowanie przez 12 minut.

1. Otwórz drzwi kuchenki i włóż potrawę do środka. Zamknij drzwi.
2. Naciśnij przycisk **Grill**.
3. Naciśnij przycisk **Czas +/-**, aby wprowadzić czas gotowania.
4. Naciśnij przycisk **Start/Szybki Start**.

 **WAŻNE!** Do grillowania zalecane jest użycie wysokiego lub niskiego rusztu.

4.4 Mikrofales + Grill

Tryb Kombinowany Mikrofales/Grill łączy funkcje mikrofal i grilla, które są przełączane w różnych chwilach procesu gotowania. Maksymalny czas gotowania wynosi 95 minut.

Przykład: Ustawienie trybu pracy kombinowanej przez 25 minut.

1. Otwórz drzwi kuchenki i włóż potrawę do środka. Zamknij drzwi.
2. Naciśnij 1 lub 2 razy przycisk **Mikrofales + Grill**.
3. Naciśnij przycisk **Czas +/-**, aby wprowadzić czas gotowania.
4. Naciśnij przycisk **Start/Szybki Start**.

Przycisk Mikrofales + Grill	Mikrofales	Grill	Zastosowanie
x 1 Co - 1	30 %	70 %	ryba, ziemniaki, zapiekanki
x 2 Co - 2	55 %	45 %	pudding, omlet, pieczone ziemniaki, drób

4.5 Szybki start

Naciskając przycisk **Start/Szybki Start** można bezpośrednio rozpocząć gotowanie z ustawieniem mocy na 100 % przez 30 sekund.

i Aby zwiększyć czas, naciśnij przycisk **Start/Szybki Start**.

4.6 Automatyczne gotowanie

Programy automatycznego gotowania automatycznie ustawiają prawidłowy tryb i czas gotowania. Dostępnych jest 8 programów automatycznego gotowania.

Automatyczne Gotowanie	Potrawa	Tryb Gotowania
A - 01	Kurczak 800 - 1400 g	Mikrofale + Grill
A - 02	Prażona kukurydza 99 g	Mikrofale
A - 03	Mleko/kawa 1 - 3 filiżanki	Mikrofale
A - 04	Pieczone ziemniaki 1 - 3 szt	Mikrofale
A - 05	Spaghetti 100 - 300 g	Mikrofale
A - 06	Automatyczne podgrzewanie 200 - 800 g	Mikrofale
A - 07	Pizza 150 - 450 g	Mikrofale + Grill
A - 08	Automatyczne rozmrażanie	Mikrofale

1. Otwórz drzwi kuchenki i włóż potrawę do środka. Zamknij drzwi.
2. Naciśnij przycisk **Automatyczne Gotowanie**, aby wybrać potrawę.
3. Naciśnij przycisk **Czas/Masa**, aby wybrać ilość lub masę.
4. Naciśnij przycisk **Start/Szybki Start**.

i Obróć 2 lub 3 razy kurczaka podczas procesu, zamknij drzwi kuchenki i naciśnij przycisk **Start/Szybki Start**, aby wznowić proces.

4.7 Automatyczne rozmrażanie

Programy automatycznego rozmrażania automatycznie ustawiają prawidłowy tryb i czas procesu.

Przykład: Rozmrażanie zamrożonej potrawy przez 10 minut.

1. Otwórz drzwi kuchenki i włóż potrawę do środka. Zamknij drzwi.
2. Naciśnij 8 razy przycisk **Automatyczne Gotowanie**, aż wyświetli się A-08.
3. Naciśnij przycisk **Czas +/-**, aby ustawić 10 minut.
4. Naciśnij przycisk **Start/Szybki Start**.

i Obróć 2 lub 3 razy kurczaka podczas procesu, zamknij drzwi kuchenki i naciśnij przycisk **Start/Szybki Start**, aby wznowić proces.

4.8 Gotowanie wieloetapowe

Maksymalnie można zaprogramować sekwencję 3 etapów.

Przykład: Gotowanie:

Etap 1: 2 minuty 30 sekund z ustawieniem mocy na 70 %

Etap 2: 5 minut w trybie grilla

1. Otwórz drzwi kuchenki i włóż potrawę do środka. Zamknij drzwi.
2. Naciśnij 4 razy przycisk **Poziom Mocy**.
3. Naciśnij przycisk **Czas +/-**, aby wprowadzić czas gotowania.
4. Naciśnij 1 raz przycisk **Grill**.
5. Naciśnij przycisk **Czas +/-**, aby wprowadzić czas gotowania.
6. Naciśnij przycisk **Start/Szybki Start**.

i Funkcji Automatycznego Gotowania, Automatycznego Rozmrażania i Szybkiego Startu nie można ustawić jako program gotowania wieloetapowego.

4.9 Zabezpieczenie przed dziećmi

Blokada rodzicielska uniemożliwia dzieciom wykonywanie czynności bez nadzoru.

Blokada rodzicielska włączy się automatycznie, jeśli w ciągu 1 minuty nie zostanie naciśnięty żaden przycisk. Aby anulować funkcję, otwórz drzwi kuchenki.

4.10 Pauze

Żeby włączyć tryb pauzy, gdy kuchenka pracuje.

1. Naciśnij 1 raz przycisk **Pauza/Anulowanie**, aby podczas gotowania wprowadzić tryb pauzy.
2. Naciśnij przycisk **Start/Szybki Start**, aby kontynuować gotowanie.



Otwarcie drzwi powoduje zatrzymanie pracy kuchenki.


5. PODPOWIEDZI I WSKAZÓWKI

5.1 Pojemniki przeznaczone do kuchenek mikrofalowych

Pojemnik	Przeznaczone do kuchenek mikrofalowych	Uwagi
Folia aluminiowa/ pojemniki z folii	✓ / ✗	Małych kawałków folii aluminiowej można użyć do zabezpieczenia potrawy przed przegrzaniem. Folia powinna znajdować się co najmniej 2 cm od ścianek kuchenki, w przeciwnym razie może dojść do powstania łuku elektrycznego. Stosowanie pojemników z folii nie jest zalecane, chyba że producent określił model. Należy dokładnie przestrzegać instrukcji.
Porcelana i ceramika	✓ / ✗	Porcelana, wyroby ceramiczne, garnki glazurowane i ceramika wypalana są zwykle odpowiednie, z wyjątkiem tych z metalowymi dekoracjami.
Szkło np. Pyrex®	✓	Należy zachować ostrożność podczas korzystania z cienkich pojemników szklanych, ponieważ mogą pęknąć po nagłym podgrzaniu.
Metal	✗	Stosowanie pojemników metalowych w kuchenkach mikrofalowych nie jest zalecane, ponieważ powodują one powstawanie łuku elektrycznego, co może spowodować pożar.
Plastik/polistyren np. pojemniki na potrawy typu fastfood	✓	Należy zachować ostrożność, ponieważ niektóre pojemniki odkształcają się, topią i odbarwiają w wysokiej temperaturze.
Woreczki do zamrażania/ pieczenia	✓	Należy je przekłuć, aby umożliwić wydostawanie się pary. Należy upewnić się, że woreczki można stosować w kuchenkach mikrofalowych. Nie należy używać plastikowych ani metalowych opasek, ponieważ mogą się stopić lub zapalić z powodu powstania łuku elektrycznego.
Papier - talerze, kubki i papier śniadaniowy	✓	Należy używać tylko do podgrzewania lub pochłaniania wilgoci. Należy zachować ostrożność, ponieważ przegrzanie może spowodować pożar.
Pojemniki ze słomy lub drewna	✓	Korzystając z tych materiałów należy zawsze nadzorować kuchenkę, ponieważ przegrzanie może spowodować pożar.
Papier makulaturowy i gazety	✗	Może zawierać cząsteczki metalu, które spowodują powstanie łuku elektrycznego, co może doprowadzić do pożaru.

5.2 Porady dotyczące gotowania w kuchenke mikrofalowej

Porady dotyczące gotowania w kuchenke mikrofalowej	
Skład	Potrawy zawierające dużą ilość tłuszczu lub cukru (np. pudding lub paszteciki) wymagają ogrzewania przez krótszy czas. Należy zachować ostrożność, ponieważ przegrzanie może spowodować pożar.
Wielkość	W celu równomiernego ugotowania wszystkie kawałki powinny być tej samej wielkości.
Temperatura potraw	Początkowa temperatura potrawy z nadzieniem wpływa na wymagany czas gotowania. Potrawy z nadzieniem (np. pączki) należy przekłuć, aby wypuścić ciepło lub parę.
Rozmieszczenie	Największe kawałki potrawy, na przykład udka, należy umieścić przy zewnętrznych ściankach naczynia.
Przykrycie	Należy użyć folii spożywczej z otworami do kuchenek mikrofalowych lub odpowiedniej pokrywki.
Przekłuwanie	Potrawy w skorupce, ze skórą lub błoną należy przed gotowaniem lub odgrzaniem nakłuć w kilku miejscach, ponieważ wewnątrz potrawy gromadzi się para, która może spowodować wybuch potrawy, (np. ziemniaki, ryba, kurczak lub kielbaski).  WAŻNE! Nie należy podgrzewać jajek, na przykład sadzonych lub na twardo, za pomocą mikrofal, ponieważ mogą wybuchnąć nawet po zakończeniu gotowania.
Mieszanie, obracanie i zmiana ułożenia	W celu równomiernego ugotowania konieczne jest, aby podczas gotowania mieszać, obracać i zmieniać ułożenie potrawy. Zawsze należy mieszać i zmieniać ułożenie od zewnątrz do środka.
Pozostawienie	Po ugotowaniu potrawę należy pozostawić na pewien czas, aby umożliwić równomierne rozproszenie ciepła w całej potrawie.
Oslona	Nagrzane części można osłonić małymi kawałkami folii aluminiowej, które odbijają mikrofałe, (np. udka i skrzydełka kurczaka).

 Podczas wyjmowania żywności z kuchenki należy używać odpowiednich uchwytów i rękawic, aby uniknąć oparzeń. Należy zawsze otwierać pojemniki, pojemniki do kukurydzy prażonej, worki do gotowania itp. z dala od twarzy i rąk, aby uniknąć oparzeń oparami. Należy zawsze stać z dala od otwieranych drzwiczek, aby uniknąć oparzeń spowodowanych wydostającą się parą lub gorącym powietrzem. Potrawy nadziewane należy pokroić po podgrzaniu, aby uwolnić gorące powietrze i uniknąć oparzeń.

6. ROZWIĄZYWANIE PROBLEMÓW

Problem	Sprawdź, czy . . .
Kuchenka mikrofalowa nie działa prawidłowo?	<ul style="list-style-type: none"> • Bezpieczniki w skrzynce bezpieczników działają prawidłowo. • Nie występuje przerwa w dostawie energii. • Jeżeli bezpieczniki są nadal wyłączane, skontaktuj się z wykwalifikowanym elektrykiem.
Tryb gotowania mikrofalami nie działa prawidłowo?	<ul style="list-style-type: none"> • Drzwi są prawidłowo zamknięte. • Uszczelki drzwi i powierzchnie uszczelniająca są czyste. • Naciśnięty został przycisk START.
Podstawa obrotowa nie obraca się?	<ul style="list-style-type: none"> • Podpórka podstawy obrotowej jest prawidłowo założona na napęd. • Naczynie nie jest większe od podstawy obrotowej. • Potrawa nie jest większa od podstawy obrotowej, co uniemożliwia jej obracanie. • We wgłębieniu pod podstawą obrotową nie znajdują się żadne przedmioty.
Kuchenka mikrofalowa nie wyłącza się?	<ul style="list-style-type: none"> • Odłącz urządzenie od źródła zasilania. • Wezwij pracownika autoryzowanego serwisu ELECTROLUX.
Oświetlenie wnętrza nie działa prawidłowo?	<ul style="list-style-type: none"> • Wezwij pracownika autoryzowanego serwisu ELECTROLUX. Lampkę podświetlającą wewnątrz kuchenki mogą wymieniać wyłącznie osoby upoważnione przez firmę ELECTROLUX.
Podgrzewanie potraw trwa dłużej niż wcześniej?	<ul style="list-style-type: none"> • Ustaw dłuższy czas gotowania (podwójna ilość = niemal dwa razy dłuższy czas) lub • Jeżeli potrawa jest zimniejsza niż zwykle, co pewien czas obróć ją lub odwróć lub • Ustaw wyższą moc.




Jeśli kuchenka pracuje w dowolnym trybie przez 2 minuty lub dłużej, po zakończeniu gotowania wentylator pozostanie włączony przez 3 minuty.

7. DANE TECHNICZNE


Napięcie przemienne	220-240 V, 50 Hz, jednofazowe	
Bezpiecznik line Dystrybucja/wyłącznik	Minimalny 16 A	
Pobór mocy:	Mikrofale	1.400 kW
	Grill	1.000 kW
Moc wyjściowa:	Mikrofale	900 W (IEC 60705)
	Grill	1000 W
Częstotliwość mikrofal	2450 MHz ¹⁾ (Grupa 2 / Klasa B)	
Wymiary zewnętrzne:	LMS4253TM	595 mm (szer.) x 388 mm (wys.) x 378 mm (głęb.)
Wymiary wnętrza	340 mm (szer.) x 220 mm (wys.) x 364 mm (głęb.) ²⁾	
Pojemność kuchenki	25 litrów ²⁾	
Podstawa obrotowa	ø 270 mm, szkło	
Masa	ok. 15,7 kg	

- ¹⁾ To urządzenie jest zgodne z wymaganiami normy europejskiej EN55011. Zgodnie z tą normą, ten produkt zaklasyfikowano jako urządzenie grupa 2 klasa B. Grupa 2 oznacza, że urządzenie celowo generuje energię o częstotliwości radiowej w postaci promieniowania elektromagnetycznego w celu podgrzewania potraw. Klasa B oznacza, że urządzenie może być używane w budynkach mieszkalnych.
- ²⁾ Pojemność wewnętrzną oblicza się, mierząc maksymalną szerokość, głębokość i wysokość. Rzeczywista pojemność przeznaczona dla potraw jest mniejsza.

8. INFORMACJE DOTYCZĄCE OCHRONY ŚRODOWISKA

Materiały oznaczone symbolem  należy poddać utylizacji. Opakowanie urządzenia włożyć do odpowiedniego pojemnika w celu przeprowadzenia ponownego przetworzenia.

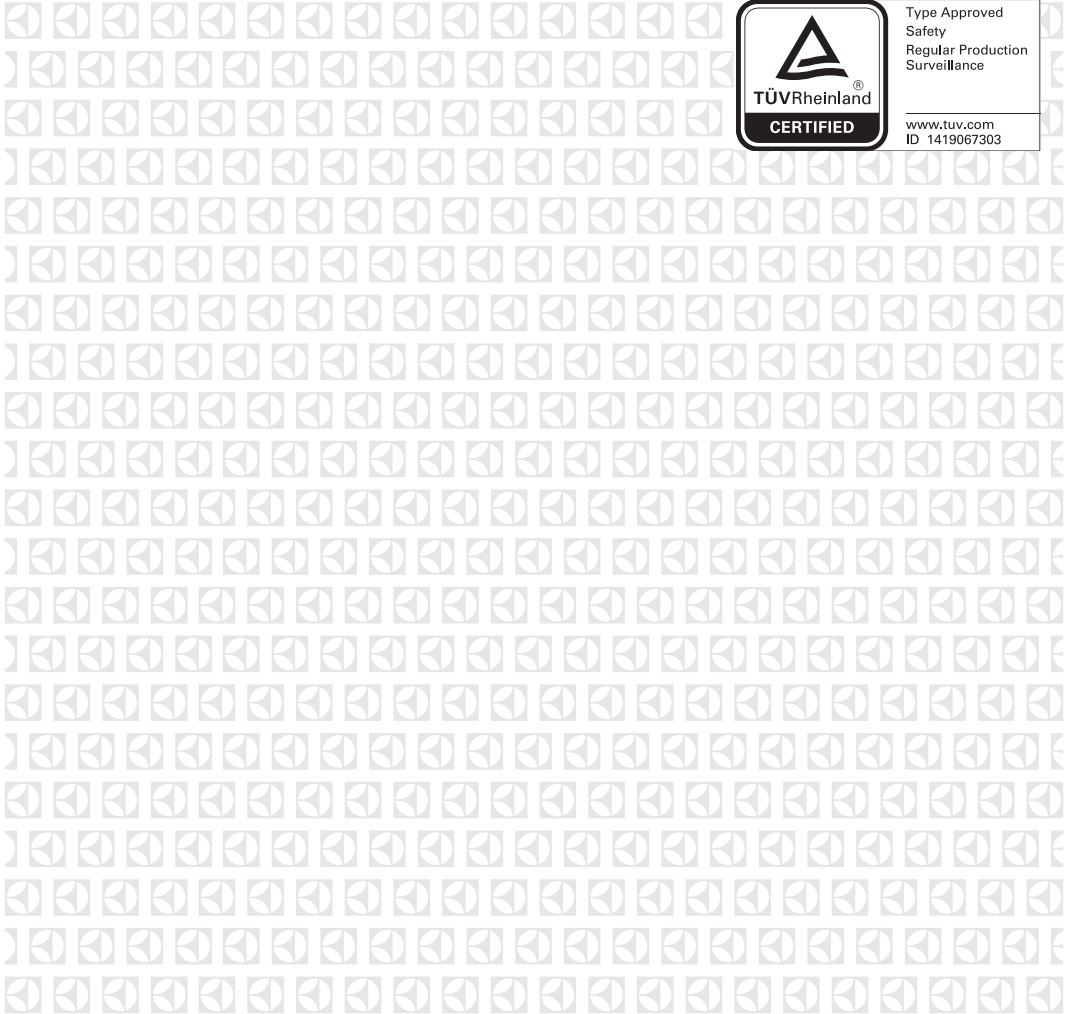
Należy zadbać o ponowne przetwarzanie odpadów urządzeń elektrycznych i elektronicznych, aby chronić środowisko naturalne oraz ludzkie zdrowie.

Nie wolno wyrzucać urządzeń oznaczonych symbolem  razem z odpadami domowymi. Należy zwrócić produkt do miejscowego punktu ponownego przetwarzania lub skontaktować się z odpowiednimi władzami miejskimi.

electrolux.com/shop



TINS-B331URRO



 TÜVRheinland CERTIFIED	Type Approved Safety Regular Production Surveillance
	www.tuv.com ID 1419067303