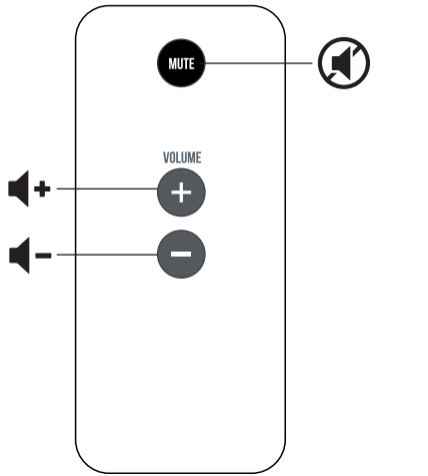
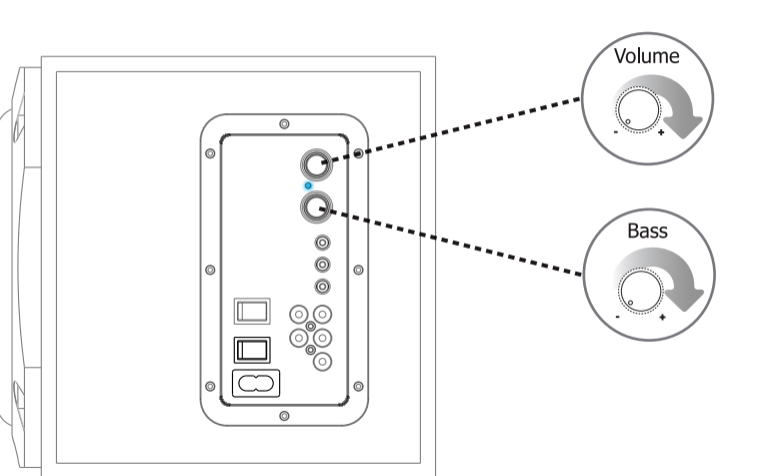


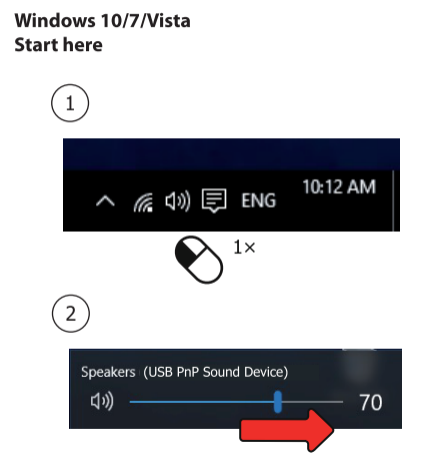
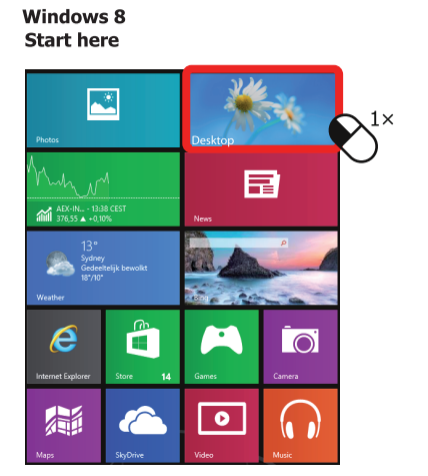
## 6. Wireless remote control



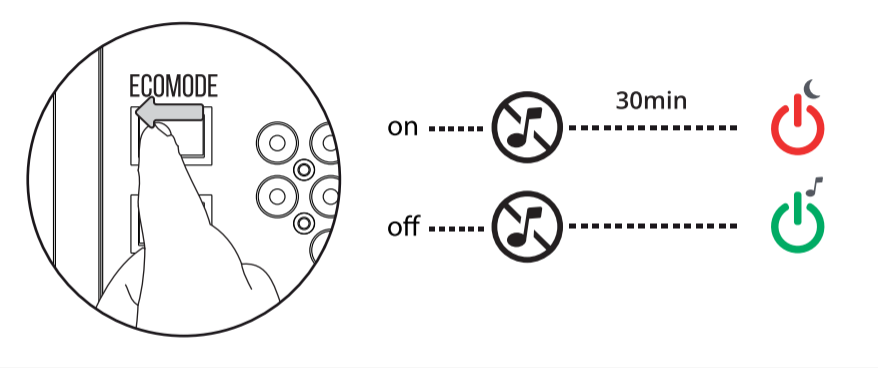
## 7. Volume control



## 8. Installation Windows 10/8/7



## 9. ECO Mode



Frequently Asked Questions [www.trust.com/21786/faq](http://www.trust.com/21786/faq)

©2017 Trust International B.V. - All rights reserved - Laan van Barcelona 600 - 3317DD - Dordrecht - NL

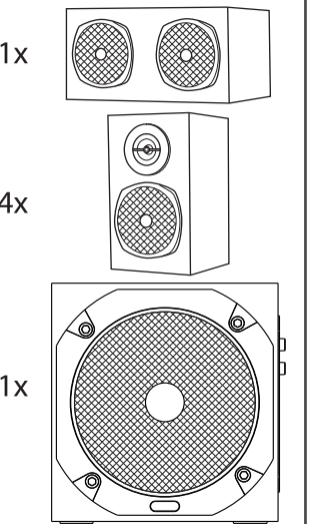
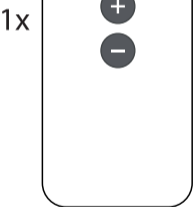
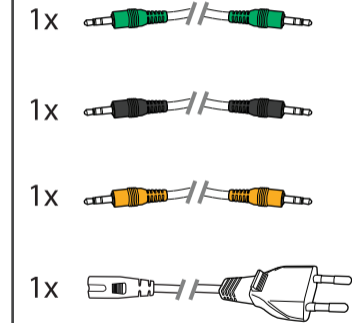


**5.1 SURROUND**  
PC speaker system

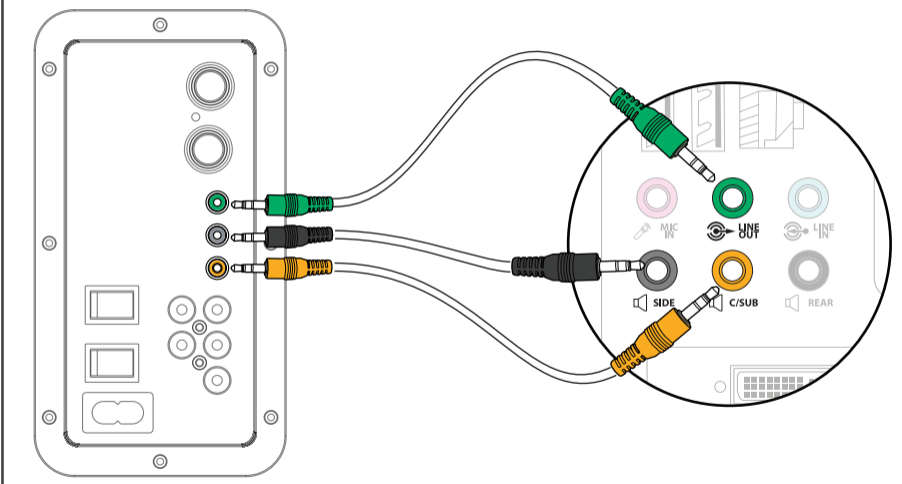


**Quick Installation Guide**

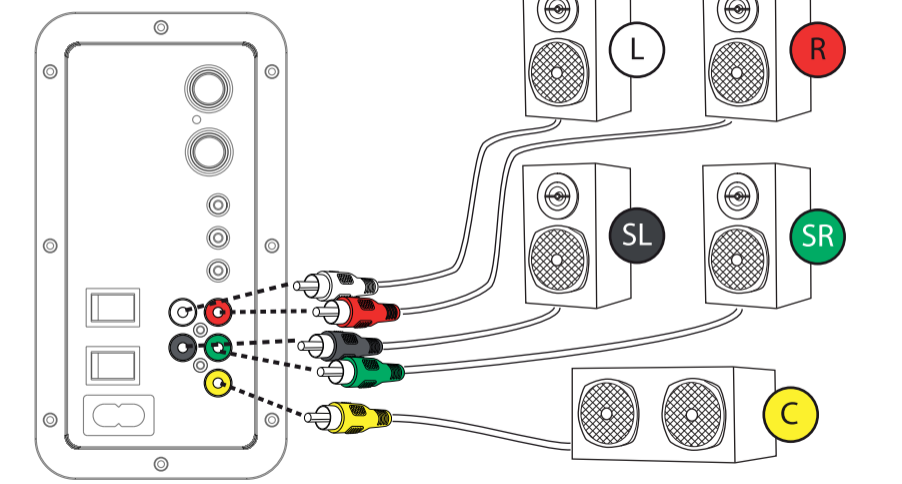
# 1. Package contents



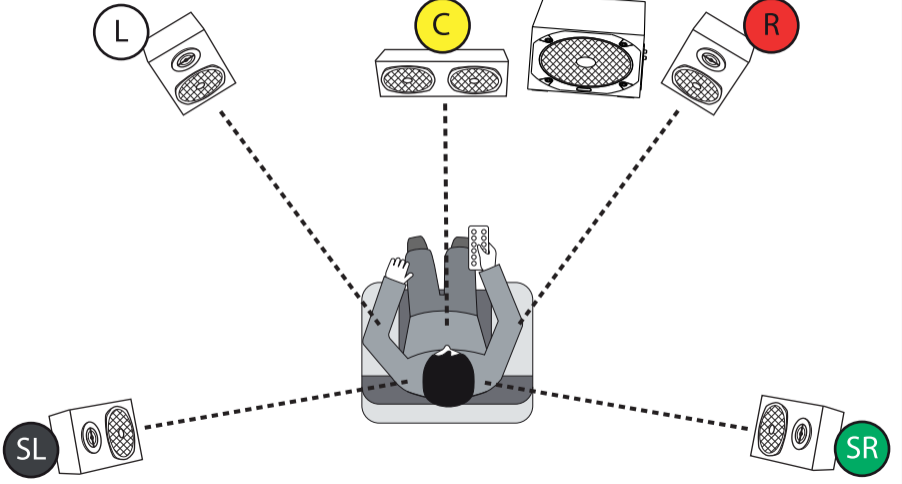
# 2. PC - 5.1 surround setup



# 3. Speaker setup 1/2



# 4. Speaker setup 2/2



# 5. Power On

