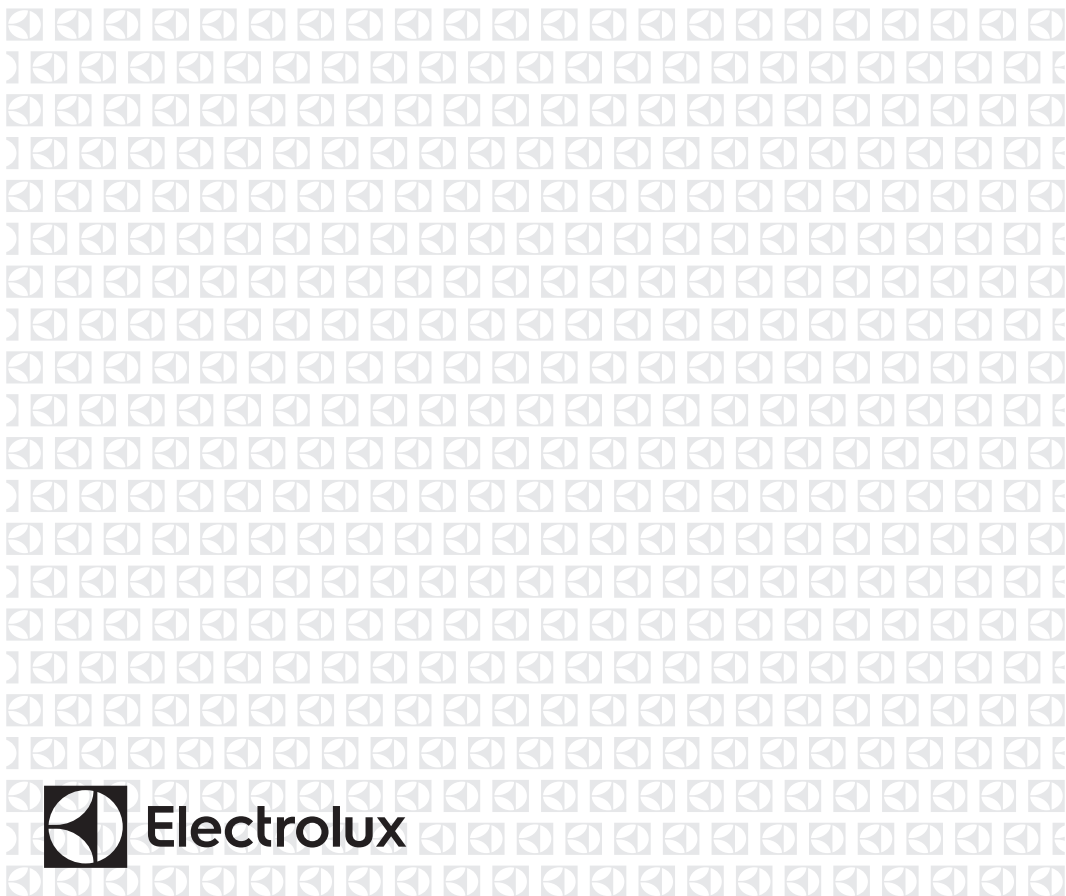




# EN6086JOX, EN6086MOX



<b>EN</b>	Refrigerator	User Manual	2
<b>ET</b>	Sügavkülmik	Kasutusjuhend	24
<b>FR</b>	Réfrigérateur	Notice d'utilisation	46
<b>IT</b>	Frigorifero	Libretto di istruzioni	68
<b>LV</b>	Ledusskapis	Lietotāja rokasgrāmata	90
<b>LT</b>	Šaldiklis	Naudotojo instrukcija	112
<b>PL</b>	Chłodziarko-zamrażarka	Instrukcja obsługi	134
<b>PT</b>	Frigorífico	Manual do Utilizador	156
<b>RO</b>	Frigider	Manual de utilizare	178
<b>RU</b>	Холодильник	Руководство пользователя	200
<b>ES</b>	Frigorífico	Manual de instrucciones	226
<b>DK</b>	Køleskab	Brugsanvisning	248
<b>FI</b>	Jääkaappi	Käyttöohje	270
<b>SV</b>	Kylskåp	Bruksanvisning	292
<b>NO</b>	Kjøleskap	Bruksanvisning	314
<b>TR</b>	Soğutucu	Kullanma Kılavuzu	336
<b>UK</b>	Холодильник	Інструкція з експлуатації	358



# CONTENTS

1. SAFETY INFORMATION .....	3
2. SAFETY INSTRUCTIONS .....	4
3. ENVIRONMENT CONCERNS .....	5
4. DESCRIPTION OF THE APPLIANCE.....	6
5. INSTALLING YOUR NEW APPLIANCE.....	8
6. DISPLAY CONTROLS .....	10
7. USING YOUR APPLIANCE.....	12
8. HELPFUL HINTS AND TIPS .....	16
9. CLEANING AND CARE.....	17
10. TROUBLESHOOTING .....	18
11. DISPOSAL OF THE APPLIANCE .....	19
12. TECHNICAL DATA .....	20
13. NOISES.....	20

## FOR PERFECT RESULTS

Thank you for choosing this Electrolux product. We have created it to give you impeccable performance for many years, with innovative technologies that help make life simpler features you might not find on ordinary appliances. Please spend a few minutes reading to get the very best from it.

### Visit our website to:



Get usage advice, brochures, trouble shooter, service information:  
**[www.electrolux.com](http://www.electrolux.com)**



Register your product for better service:  
**[www.electrolux.com/productregistration](http://www.electrolux.com/productregistration)**



Buy Accessories, Consumables and Original spare parts for your appliance:  
**[www.electrolux.com/shop](http://www.electrolux.com/shop)**

## CUSTOMER CARE AND SERVICE

Always use original spare parts.

When contacting our Authorised Service Centre, ensure that you have the following data available: Model, PNC, Serial Number.

The information can be found on the rating plate.

 Warning / Caution-Safety information.

 General information and tips

 Environmental information.

Subject to change without notice.



# 1. SAFETY INFORMATION

Before the installation and use of the appliance, carefully read the supplied instructions. The manufacturer is not responsible if an incorrect installation and use causes injuries and damages. Always keep the instructions with the appliance for future reference.

## 1.1 Children and vulnerable people safety

- This appliance can be used by children aged from 8 years and above and persons with reduced physical, sensory or mental capabilities or lack of experience and knowledge if they have been given supervision or instruction concerning use of the appliance in a safe way and understand the hazards involved.
- Do not let children play with the appliance.
- Cleaning and user maintenance shall not be made by children without supervision.
- Keep all packaging away from children.

## 1.2 General Safety

- This appliance is intended to be used in household and similar applications such as:
  - Farm houses; staff kitchen areas in shops, offices and other working environments
  - By clients in hotels, motels, bed and breakfast and other residential type environments
- Keep ventilation openings, in the appliance enclosure or in the built-in structure, clear of obstruction.
- Do not use mechanical devices or other means to accelerate the defrosting process, other than those recommended by the manufacturer.
- Do not damage the refrigerant circuit.
- Do not use electrical appliances inside the food storage compartments of the appliance, unless they are of the type recommended by the manufacturer.
- Do not use water spray and steam to clean the appliance.
- Clean the appliance with a moist soft cloth. Only use neutral detergents. Do not use abrasive products, abrasive cleaning pads, solvents or metal objects.
- Do not store explosive substances such as aerosol cans with a flammable propellant in this appliance.

- If the supply cord is damaged, it must be replaced by the manufacturer, its service agent or similarly qualified persons in order to avoid a hazard.
- If the appliance is equipped with an Ice maker or a water dispenser, fill them with potable water only.
- If the appliance requires a water connection, connect it to potable water supply only.
- The inlet water pressure (minimum and maximum) must be between 1 bar (0,1 MPa) and 10 bar (1 MPa)

## 2. SAFETY INSTRUCTIONS

### 2.1 Installation



#### **WARNING!**

Only a qualified person must install this appliance.

- Remove all the packaging.
- Do not install or use a damaged appliance.
- Obey the installation instruction supplied with the appliance.
- Always be careful when you move the appliance because it is heavy. Always wear safety gloves.
- Make sure the air can circulate around the appliance.
- Wait at least 4 hours before connecting the appliance to the power supply. This is to allow the oil to flow back in the compressor.
- Do not install the appliance close to radiators or cookers, oven or hobs.
- The rear of the appliance must stand against the wall.
- Do not install the appliance where there is direct sunlight.
- Do not install this appliance in areas that are too humid or too colds, such as the construction appendices, garages or wine cellars.
- When you move the appliance, lift it by the front edge to avoid scratching the floor.

### 2.2 Electrical connection



#### **WARNING!**

Risk of fire and electrical shock.

- The appliance must be earthed.
- Make sure that the electrical information on the rating plate agrees with the power supply. If not, contact an electrician.
- Always use a correctly installed shock-proof socket.
- Do not use multi-plug adapters and extension cables.
- Make sure not to cause damage to the electrical components (e.g. mains plug, mains cable, compressor). Contact the Service or an electrician to change the electrical components.
- The mains cable must stay below the level of the mains plug. Connect the mains plug to the mains socket only at the end of the installation. Make sure that there is access to the mains plug after the installation. Do not pull the mains cable to disconnect the appliance. Always pull the mains plug.

### 2.3 Use



#### **WARNING!**

Risk of injury, burns, electrical shock or fire.

- Do not change the specification of this appliance.
- Do not put electrical appliances (e.g. ice cream makers) in the appliance unless they are stated applicable by the manufacturer.
- Be careful not to cause damage to the refrigerant circuit. It contains isobutane (R600a), a natural gas with a high level of environmental compatibility.



This gas is flammable.

- If damage occurs to the refrigerant circuit, make sure that there are no flames and sources of ignition in the room. Ventilate the room.
- Do not let hot items to touch the plastic parts of the appliance.
- Do not put soft drinks in the freezer compartment. This will create pressure on the drink container.
- Do not store flammable gas and liquid in the appliance.
- Do not put flammable products or items that are wet with flammable products in, near or on the appliance.
- Do not touch the compressor or the condenser. They are hot.
- Do not remove or touch items from the freezer compartment if your hands are wet or damp.
- Do not freeze again food that has been thawed.
- Obey the storage instructions on the packaging of frozen food.

## 2.4 Internal light

- The type of lamp used for this appliance is not suitable for household room illumination.

## 2.5 Care and cleaning



### WARNING!

Risk of injury or damage to the appliance.

- Before maintenance, deactivate the appliance and disconnect the mains plug from the mains socket.
- This appliance contains hydrocarbons in the cooling unit. Only a qualified person must do the maintenance and the recharging of the unit.
- Regularly examine the drain of the appliance and if necessary, clean it. If the drain is blocked, defrosted water collects in the bottom of the appliance.

## 2.6 Disposal





### WARNING!

Risk of injury or suffocation.

- Disconnect the appliance from the mains supply.
- Cut off the mains cable and discard it.
- Remove the door to prevent children and pets to be closed inside of the appliance.
- The refrigerant circuit and the insulation materials of this appliance are ozone-friendly.
- The insulation foam contains flammable gas. Contact your municipal authority for information on how to discard the appliance correctly.
- Do not cause damage to the part of the cooling unit that is near the heat exchanger.

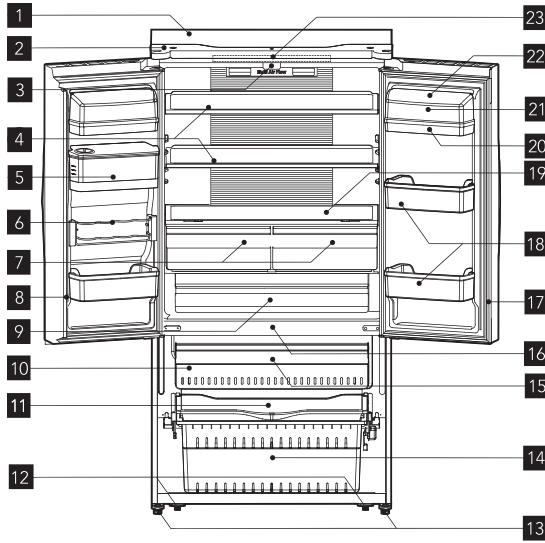
## 3. ENVIRONMENT CONCERNS

Recycle the materials with the symbol . Put the packaging in applicable containers to recycle it. Help protect the environment and human health and to recycle waste of electrical and electronic

appliances. Do not dispose appliances marked with the symbol  with the household waste. Return the product to your local recycling facility or contact your municipal office.

## 4. DESCRIPTION OF THE APPLIANCE

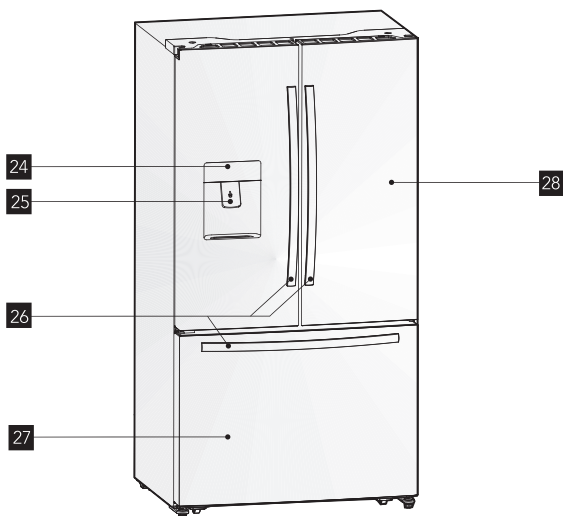
### 4.1 View 1 of the appliance



- |                                       |   |
|---------------------------------------|---|
| <b>1</b> Cabinet                      | <b>13</b> Adjustable bottom feet          |
| <b>2</b> Top cover                    | <b>14</b> Lower freezer drawer            |
| <b>3</b> Vertical baffle guide block  | <b>15</b> Upper freezer drawer            |
| <b>4</b> Glass shelf                  | <b>16</b> Freezer LED light (inside)      |
| <b>5</b> Water storage box            | <b>17</b> Refrigerator door seal          |
| <b>6</b> Flexible pop can rack        | <b>18</b> Lower rack                      |
| <b>7</b> Fruit and vegetables crisper | <b>19</b> Crisper cover                   |
| <b>8</b> Vertical baffle part         | <b>20</b> Upper rack                      |
| <b>9</b> My fresh choice              | <b>21</b> Egg tray (inside)               |
| <b>10</b> Twistable ice tray (inside) | <b>22</b> Rack cover                      |
| <b>11</b> Serving tray                | <b>23</b> Refrigerator LED light (inside) |
| <b>12</b> Rollers                     |   |



## 4.2 View 2 of the appliance



**24** Display board

**25** Cold water dispenser


**26** Handles

**27** Freezer door

**28** Refrigerator door

**Note:** Due to constant improvement of our products, your refrigerator may be slightly different from the above illustration, but its functions and using methods remain the same.

**Note:** To get the best energy efficiency of this product, please place all shelves, drawers and baskets on their original position as the illustration above.

	<p> This appliance is sold in France. In accordance with regulations valid in this country it must be provided with a special device (see figure) placed in the lower compartment of the fridge to indicate the coldest zone of it.</p>
--	--

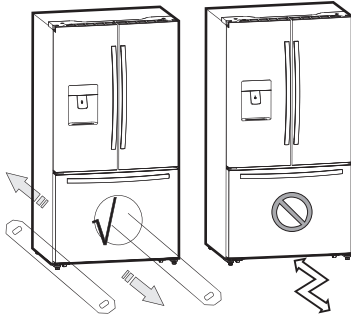
## 5. INSTALLING YOUR NEW APPLIANCE

This section explains the installation of the new appliance before using it for the first time. We recommend reading the following

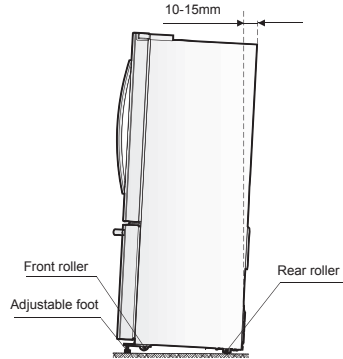


### WARNING!

For proper installation, this refrigerator must be placed on a level surface of hard material that is the same height as the rest of the flooring. This surface should be strong enough to support a fully loaded refrigerator, or approximately 266 lbs. (120 kg). When moving, be sure to pull out and push back the unit in straight. tips.



3. Tilt back the top backwards for about 10-15 mm by turning the feet 1~2 turn further. This will allow the doors to self-close and seal properly.
4. Whenever you want to move the appliance, remember to turn the feet back up so that the appliance can roll freely. Reinstall the appliance when relocating.



### WARNING!

The rollers, which are not castors, should be only used for forward or backward movement. Moving the refrigerator sideways may damage your floor and the rollers.

Class	Symbol	Ambient Temperature range(°C)
Extend Temperate	SN	+10 to +32
Temperate	N	+16 to +32
Subtropical	ST	+16 to +38
Tropical	T	+16 to +43

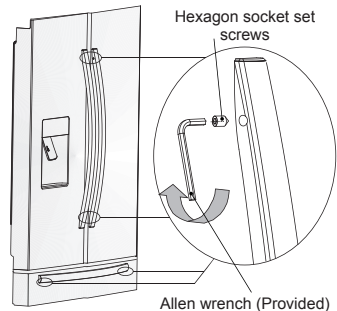
### 5.1 Leveling of appliance

For proper leveling and avoid vibration, this appliance is provided with adjustable feet in front. Please adjust the level by following below instructions:

1. Roll the refrigerator into place.
2. Turn the adjustable feet (with your fingers or a suitable spanner) until they touch the floor.

### 5.2 Adjusting the door handle

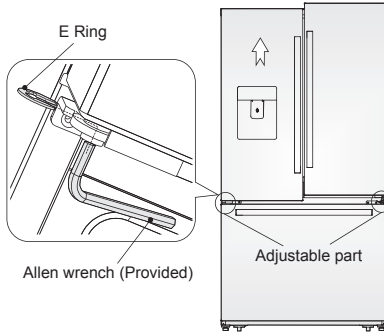
Before you use the appliance, please check the refrigerator handles. If the handles are loose, please adjust them by using an Allen wrench in the clockwise direction until handles are securely in place. Each one of the handles is fitted with 2 screws.





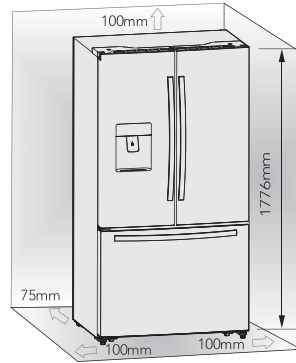
### 5.3 Adjusting the doors

- Both left and right doors are equipped with adjustable axes, which are located in the lower hinges.
- Before adjusting its doors, please ensure that the refrigerator is level. Please review the previous section on "Leveling appliance". If you find the top of the doors are uneven, insert the Allen wrench into the hinge axis, and turn it clockwise to raise the door or anticlockwise to lower the door, and insert an E Ring into the gap.

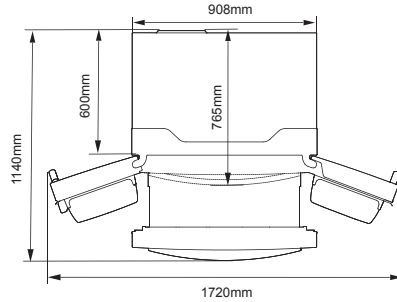


### 5.4 Ventilation of appliance

In order to improve efficiency of the cooling system and save energy, it is necessary to maintain proper ventilation around the appliance for heat dissipation. For this reason, sufficient space should be provided around the refrigerator and the area should be clear of any obstruction that affects the air circulation.



**Suggestion:** to ensure a proper functioning of the appliance keep the distances shown on the graphic above.

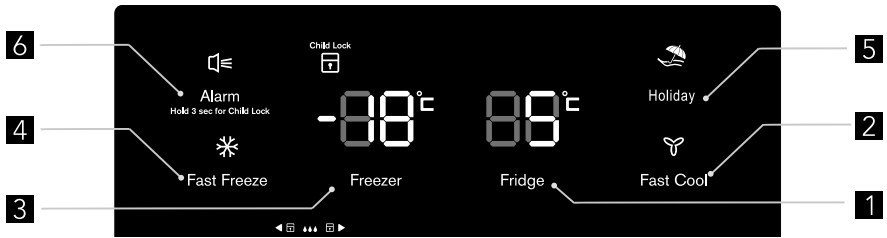


## 6. DISPLAY CONTROLS

All functions and controls of the unit are accessible from a control panel conveniently located on the door of the refrigerator. A keypad of touch buttons and a digital display allow easy configuration of features and settings in a simple and intuitive manner.

**Important!** Touch buttons require only a short press on a button to operate. The operation occurs when releasing your finger from the button, not while the button is pressed. There is no need for applying pressure on the keypad. Child

Lock function related to the “Alarm” button requires a long touch of a least 3 sec. Please refer to those related sections of this Manual for detailed instructions. The control panel consists of two indicating temperature areas, five icons representing different modes and six touch buttons. When the appliance is powered on for the first time, the backlight of the icons on display panel turns on. If no buttons have been pressed and the doors remains closed, the backlight will turn off after 60 sec.



### Controlling the temperature

We recommend that when you start your refrigerator for the first time, the temperature for the refrigerator is set to 5°C and the freezer to -18°C. If you want to change the temperature, follow the instructions below.

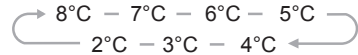


#### CAUTION!

When you set a temperature, you set an average temperature for the whole refrigerator cabinet. Temperatures inside each compartment may vary from the temperature values displayed on the panel, depending on how much food you store and where you place them. Ambient temperature may also affect the actual temperature inside the appliance.

### 6.1 Fridge

Press “Fridge” button repeatedly to set your desired fridge temperature between 8°C and 2°C, the temperature will decrease 1°C degrees with each press and the fridge temperature indicator will display corresponding value according to the following sequence.



### 6.2 Fast Cool

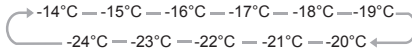


If you need to insert a large amount of warm food, for example after doing the grocery shopping, we suggest activating the Fast Cool to chill the products more rapidly and to avoid warming the other food which is already in the refrigerator.

- Press “Fast Cool” button to activate this function. The Super Cool icon will light up and the Fridge temperature indicator will display 2°C.
- Super cool automatically switches off after 6 hours.
- Press “Fast Cool” or “Fridge” to cancel super cool mode and revert to previous temperature settings.

### 6.3 Freeze

Press "Freezer" button to set the freezer temperature between  $-14^{\circ}\text{C}$  and  $-24^{\circ}\text{C}$  to suit your desired temperature, and the freezer temperature indicator will display corresponding value according to the following sequence.



### 6.4 Fast Freeze



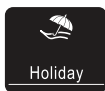
Super Freeze can rapidly lower frozen temperature and freeze your food substantially faster than usual.

Press "Fast Freeze" button to activate the super freeze function. The Super Freeze icon will be illuminated and the freezer temperature setting will display  $-24^{\circ}\text{C}$ .

- For first time use, or after a period of inactivity, allow 6 hours of normal operation before using Super Freeze mode. This is particularly important if a large amount of food is placed in the freezer.
- Super freeze automatically switches off after 26 hours of usage and the freezer temperature goes to below  $-20^{\circ}\text{C}$ .
- Press "Fast Freeze" or "Freezer" to cancel Super Freeze mode and revert to previous temperature settings.

**Note:** When selecting the Super Freeze function, ensure there are no bottled or canned drinks (especially carbonated drinks) in the freezer compartment. Bottles and cans may explode.

### 6.5 Holiday



This function is designed to minimise the energy consumption and electricity bills while the Fridge is not in use for a long period of time.

You can activate this function by pressing "Holiday" button for a short until the Holiday light icon is illuminated.

**Important!** Do not store any food in the refrigerator chamber during this time.

- When the holiday function is activated, the temperature of the refrigerator is automatically switched to  $15^{\circ}\text{C}$  to minimise the energy consumption. The refrigerator temperature setting displays "-" and the freezer compartment remains on.
- Press "Holiday" button to cancel Holiday mode and revert to previous temperature settings.

### 6.6 Alarm



In case of alarm, "Alarm" icon will light up and a buzzing sound will start.

Press "Alarm" button to stop alarm and buzzing then

"Alarm" icon will turn off.



#### CAUTION!

When the refrigerator is turned on after a period of inactivity, the Alarm may be activated. In this case, press "Alarm" button to cancel it.

### Door Alarm

The alarm light on and a buzzing sound indicate abnormal conditions, such as accidentally a door left open or that a power interruption to the unit has occurred.

- Leaving any door of refrigerator or freezer open for over 2 minutes will activate a door alarm and buzzer. The buzzer will beep 3 times per minute for 10 minutes. Closing the door cancels the door alarm and buzzer.
- To save energy, please avoid keeping doors open for a long time when using refrigerator. The door alarm can also be cleared by closing the doors.

## Temperature alarm

This is an important feature that alerts users of potential damage to stored food. If a power failure occurs, for example a blackout in your area of residence while you are away, the temperature alarm will memorize the temperature of the freezer when power was restored to the unit; this is likely to be the maximum temperature reached by frozen items.

A temperature alarm condition will be indicated by Alarm light and buzzer when the temperature reading is warmer than  $-9^{\circ}\text{C}$ , then

a- The Alarm icon lights up;

b- The freezer temperature indicator displays "H";

c- The buzzer beeping 10 times when the alarm is triggered and stop automatically.

## Child Lock



Press and hold the "Alarm" button for 3 seconds to activate the child lock.

This will disable the display to prevent accidental changes to settings. Meanwhile, the "Child Lock" icon will be illuminated.

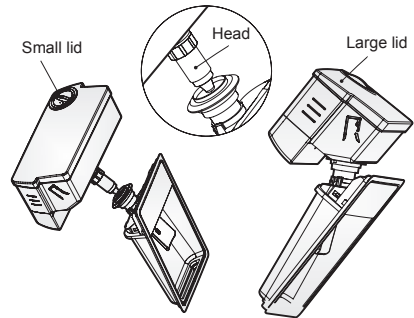
- To turn the child lock off, press and hold the "Alarm" button for 3 seconds. The "Child Lock" icon will be turned off.

# 7. USING YOUR APPLIANCE

## 7.1 Cold water dispenser

The cold water dispenser, located in the left refrigerator door, is used for storing drinking water. This feature provides chilled water easily without opening the door.

- Cleaning**  
Please clean the water dispenser before using it for the first time.  
step 1: pull out the water dispenser  
step 2: wash with clear water  
step 3: dry it
- Assembling**  
Please refer to the following instruction to reassemble the dispenser.
  - Hold tightly both sides of the water container then lift it up and put it out from the door.
  - Unscrew the head in counterclockwise direction.
  - Insert them back on the door and push the container until you hear a click sound.



### WARNING!

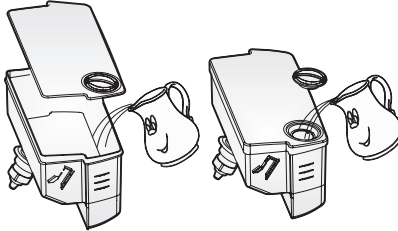
When inserting the water container, ensure the head sits correctly into the hole first.

### Filling water

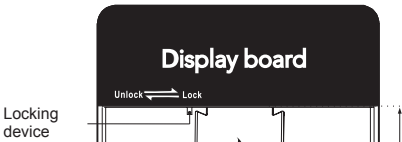
Before you fill the drinking water into the water container, ensure that the water container is steady and placed into a correct position. To prevent water from overflowing and spilling, fill the water container below the maximum level mark which is approximately about 4.0L. There are two ways to fill the water container:

- By removing the small lid and fill water from the inlet of the large lid.
- By removing the large lid of the tank, and then fill water directly.

**CAUTION!**  
Do not fill any other liquid than water inside the water container.



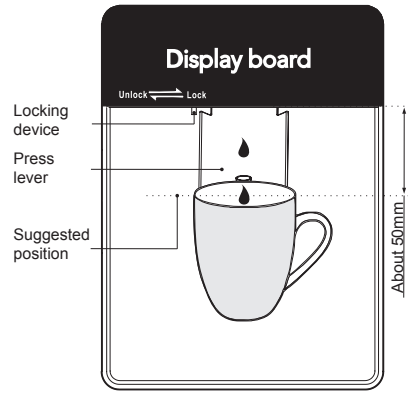
- **Lock**  
Before you dispense the water, ensure that the dispenser is in "unlock" position. The locking device is under the display board as the picture:



**WARNING!**  
The lock feature is used to lock the device. Don't push strongly the dispenser lever when the dispenser is in "lock" position, this may damage and break the dispenser.

- **Using water dispenser**  
You should use a suitable cup size to fill the water underneath the water dispenser.

**WARNING!**  
Don't pull the dispenser lever out without a cup underneath; this may cause the water leak from the dispenser. Keep the water supply device installed when the water dispenser is out of use to prevent cold air leakage.



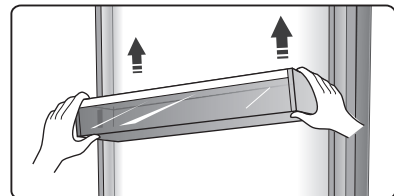
**Note:** Frequently usage of the water dispenser could spill drops on the tray which may overflow. Dry the tray with a towel as required.

## 7.2 Door rack

The refrigerator chamber is fitted with door racks suitable for storing canned liquid, bottled drinks and packed food. Do not place a large amount of heavy food and items inside door racks.

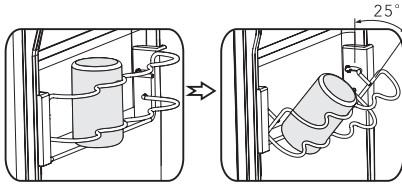
- The middle door rack is designed to adjust at different heights according to your requirements. Please empty the rack before lifting upward to remove it. Then reposition the rack at the desired height.

**Note:** There is an egg tray provided that should be located in the upper rack.



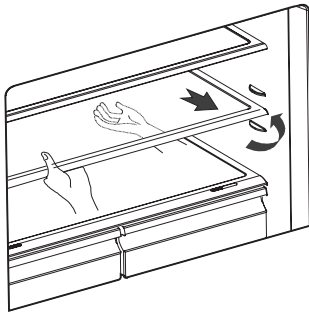
## 7.3 Pop can rack

- This rack stores up to 4 cans of standard size, but it is not suitable for cans with diameter smaller than 50mm. The rack also can rotate 25° along the shelf if required, to facilitate storing or taking drinks.

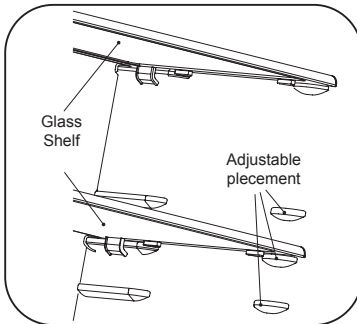


### 7.4 Glass shelves

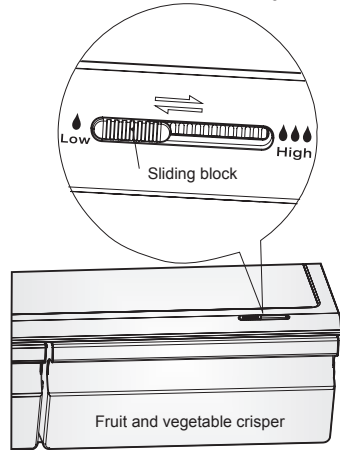
The refrigerator chamber is provided with two glass shelves. While the top shelf is designed to be fixed, the lower shelf is adjustable. There are three placements for relocating the lower shelf. Adjust the height of the shelf according to your need:



- When removing the shelves, gently pull them forward until they exit the guides.
- When you return the shelves, make sure there is no obstacle behind and gently push them into the position.



### 7.5 Crisper and humidity control

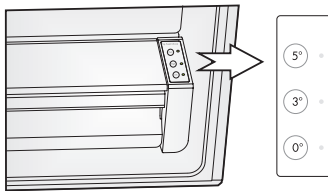


The crisper, mounted on telescopic extensionslides, is for storing vegetables and fruits. You can adjust the humidity inside by using the sliding block.

- The humidity control adjusts the airflow in the crisper; higher airflow results in lower humidity. Slide the humidity control to the right in order to increase humidity.
- High humidity settings are recommended for vegetables, while low humidity is suitable for preservation of fruit.
- Follow these simple instructions to remove the crisper chamber, or freezer drawer, for cleaning. Empty the crisper chamber; pull it out to fully open position. Lift the crisper from the lateral slides. Push the slides fully in to avoid damage when closing the door.

## 7.6 FRESH ZONE. Precision control of temperature (Optional)

Food can be preserved fresh for longer periods when stored at their optimal temperature, but different types of food require different storage temperatures. There is a chill drawer display on the right of the drawer. The temperature of the compartment can be set at 0°C, 3°C and 5°C to suit either meat, or fruits and vegetables, or deli products respectively by using “FRESH ZONE” buttons. Please refer to the table below for the recommended settings to suit your storage needs.



Deli [5°C]	Vege. [3°C]	0°C [0°C]
Cheese	Cucumber	Steaks
Ham	Lettuce	Fish
Salami	Oranges	Cold cuts
Olives	Corn	Poultry

## 7.7 Using the refrigerator chamber

The refrigerator chamber is suitable for storage of vegetable and fruits. Separate packing of different foods is recommended to avoid losing moisture or flavor permeating into other foods.



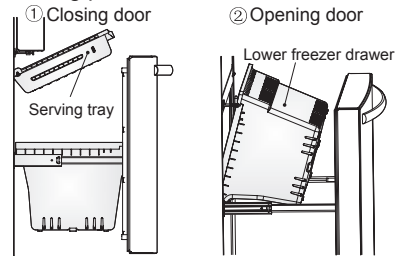
### CAUTION!

Never close doors while the shelves, crisper and/or telescopic slides are extended. It may damage the unit.

## 7.8 Using the freezer drawer

Freezer drawer is suitable for storing food required to be frozen, such as meat, ice cream, etc.

To remove the freezer drawer pull it out fully, tilt up the serving tray and lift it out, then open the refrigerator doors to the maximum angle and the lower freezer drawer can be taken out, as shown in the following pictures.



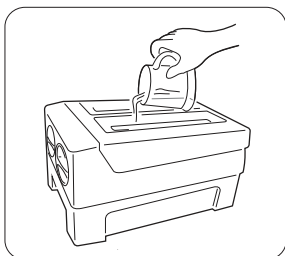
### CAUTION!

Do not allow babies or children go inside the refrigerator, as they could injure themselves or damage the refrigerator. Do not sit on the freezer door. The door may break. Do not allow children to climb into the freezer basket. If you remove the divider to clean the basket bin, you must reinstall the divider after cleaning to prevent children from getting trapped inside the basket.

## 7.9 Twistable ice tray

- Twistable ice tray is placed in the upper freezer drawer to make and store ice cubes.

1. Fill with drinking water below the maximum level mark.
2. Place the filled ice tray back to the bracket.
3. Await for around 3 hours, twist the knobs clockwise and the ice will drop into the ice box below.



4. Ice cubes can be stored in the ice box, if you need them, you can pull out the ice box and take them out.

**Note:** If the ice tray is used for the first time or has not been used for a long time, please clean it before using.

## 8. HELPFUL HINTS AND TIPS

### 8.1 Energy saving tips

We recommend that you follow the tips below to save energy.

- Try to avoid keeping the door open for long periods in order to conserve energy.
- Ensure the appliance is away from any sources of heat (Direct sunlight, electric oven or cooker etc).
- Don't set the temperature colder than necessary.
- Don't store warm food or evaporating liquid in the appliance.
- Place the appliance in a well ventilated, humidity free, room. Please refer to Installing your new appliance chapter.
- View 1 under the "Description of the appliance" section shows the correct arrangement for the drawers, crisper and shelves, do not adjust the combination as this is designed to be the most energy efficient configuration.

#### Hints for fresh food refrigeration

- Do not place hot food directly into the refrigerator or freezer, the internal temperature will increase resulting in the compressor having to work harder and will consume more energy.
- Do cover or wrap the food, particularly if it has a strong flavor.
- Place food properly so that air can circulate freely around it.

#### Hints for refrigeration

- Meat (All Types) Wrap in polythene food: wrap and place on the glass shelf above the vegetable drawer. Always follow food storage times and use by dates suggested by manufacturers.

- Cooked food, cold dishes, etc.: They should be covered and may be placed on any shelf.
- Fruit and vegetables: They should be stored in the special drawer provided.
- Butter and cheese: Should be wrapped in airtight foil or plastic film wrap.
- Milk bottles: Should have a lid and be stored in the door racks.

### 8.2 Hints for freezing

- When first starting-up or after a period out of use, let the appliance run at least 2 hours on the higher settings before putting food in the compartment.
- Prepare food in small portions to enable it to be rapidly and completely frozen and to make it possible to subsequently thaw only the quantity required.
- Wrap up the food in aluminum foil or polyethylene food wraps which are airtight.
- Do not allow fresh, unfrozen food to touch the food which is already frozen to avoid temperature rise of the latter.
- Iced products, if consumed immediately after removal from the freezer compartment, will probably cause frost burns to the skin.
- It is recommended to label and date each frozen package in order to keep track of the storage time.





### Hints for the storage of frozen food

- Ensure that frozen food has been stored correctly by the food retailer
- Once defrosted, food will deteriorate rapidly and should not be re-frozen. Do not exceed the storage period indicated by the food manufacturer.

## 8.3 Switching off your appliance

If the appliance needs to be switched off for an extended period, the following steps should be taken to prevent mould on the appliance.

1. Remove all food.
2. Remove the power plug from the mains socket.
3. Clean and dry the interior thoroughly.
4. Ensure that all the doors are wedged open slightly to allow air to circulate.

## 9. CLEANING AND CARE

For hygienic reasons the appliance (including exterior and interior accessories) should be cleaned regularly at least every two months.



### CAUTION!

The appliance must not be connected to the mains during cleaning. Danger of electrical shock! Before cleaning switch the appliance off and remove the plug from the mains socket.

## 9.2 Interior cleaning

- You should clean the appliance interior regularly. It will be easier to clean when food stocks are low. Wipe the inside of the fridge freezer with a weak solution of bicarbonate of soda, and then rinse with warm water using a wrung-out sponge or cloth. Wipe completely dry before replacing the shelves and baskets. Thoroughly dry all surfaces and removable parts.
- Although this appliance automatically defrosts, a layer of frost may occur on the freezer compartment's interior walls if the freezer door is opened frequently or kept open too long. If the frost is too thick, choose a time when the supply of food stocks are low and proceed as follows:

1. Remove existing food and accessories baskets, unplug the appliance from the mains power and leave the doors open. Ventilate the room thoroughly to accelerate the thawing process.
2. When defrosting is completed, clean your freezer as described above.

## 9.1 Exterior cleaning

To maintain good appearance of your appliance, you should clean it regularly.

- Wipe the digital panel and display panel with a clean, soft cloth.
- Spray water onto the cleaning cloth instead of spraying directly on the surface of the appliance. This helps ensure an even distribution of moisture to the surface.
- Clean the doors, handles and cabinet surfaces with a mild detergent and then wipe dry with a soft cloth.



### CAUTION!

- Don't use sharp objects as they are likely to scratch the surface.
- Don't use Thinner, Car detergent, Clorox, ethereal oil, abrasive cleansers or organic solvent such as Benzene for cleaning. They may damage the surface of the appliance and may cause fire.



### CAUTION!

Don't use sharp objects to remove frost from the freezer compartment. Only after the interior is completely dry should the appliance be switched back on and plugged back into the mains socket.

### 9.3 Door seals cleaning

Take care to keep door seals clean. Sticky food and drinks can cause seals to stick to the cabinet and tear when you open the door. Wash seal with a mild detergent and warm water. Rinse and dry it thoroughly after cleaning.



#### CAUTION!

Only after the door seals are completely dry should the appliance be powered on.



#### WARNING!

The LED light must not be replaced by the user! If the LED light is damaged, contact the customer helpline for assistance.

## 10. TROUBLESHOOTING

If you experience a problem with your appliance or are concerned that the appliance is not functioning correctly, you can carry out some easy checks before calling for service, please see below. You can carry out some easy checks according to this section before calling for service.



#### WARNING!

Don't try to repair the appliance yourself. If the problem persists after you have made the checks mentioned below, contact a qualified electrician, authorized service engineer or the shop where you purchased the product.

Problem	Possible cause & Solution
Appliance is not working correctly	Check whether the power cord is plugged into the power outlet properly.
	Check the fuse or circuit of your power supply, replace if necessary.
	It is normal that the freezer is not operating during the automatic defrost cycle, or for a short period of time after the appliance is switched on to protect the compressor.
Odours from the compartments	The interior of the refrigerator may need to be cleaned.
	Some food, containers or wrapping cause odours.
Noise from the appliance	The sounds below are quite normal: Compressor running noises. <ul style="list-style-type: none"> <li>• Air movement noise from the small fan motor in the freezer compartment or other compartments.</li> <li>• Gurgling sound similar to water boiling.</li> <li>• Popping noise during automatic defrosting.</li> <li>• Clicking noise before the compressor starts.</li> </ul>
	Other unusual noises are due to the reasons below and may need you to check and take action: The cabinet is not level. The back of appliance touches the wall. Bottles or containers fallen or rolling.



The motor runs continuously	<p>It is normal to frequently hear the sound of the motor, it will need to run more when in following circumstances:</p> <ul style="list-style-type: none"> <li>• Temperature setting is set colder than necessary</li> <li>• Large quantity of warm food has recently been stored within the appliance.</li> <li>• The temperature outside the appliance is too high.</li> <li>• Doors are kept open for a long period.</li> <li>• After your installing the appliance or it has been switched off for a long time.</li> </ul>
A layer of frost occurs in the compartment	<p>Check that the air outlets are not blocked by food and ensure food is placed within the appliance to allow sufficient ventilation. Ensure that door is fully closed. To remove the frost, please refer to “cleaning and care” section.</p>
Temperature inside is too warm	<p>You may have left the doors open too long or too frequently or the doors are kept open by some obstacle; or the appliance is located with insufficient clearance at the sides, back and top.</p>
Temperature inside is too cold	<p>Increase the temperature by following the “Display controls” chapter.</p>
Doors can't be closed easily	<p>Check whether the top of the refrigerator is tilted back by 10-15mm to allow the doors to self close or if something inside is preventing the doors from closing.</p>
Water drips on the floor	<p>The water pan (located at the rear bottom of the cabinet) may not be properly leveled, or the draining spout (located underneath the top of the compressor depot) may not be properly positioned to direct water into this pan, or the water spout is blocked. You may need to pull the refrigerator away from the wall to check the pan and spout.</p>
The light is not working	<p>The LED light may be damaged. Refer to replace LED lights in cleaning and care chapter. The control system has disabled the lights due to the door being kept open too long, close and reopens the door to reactivate the lights.</p>
Doors does not open smoothly	<p>Check the door seal, and if it is necessary clean the rubber gasket seal around the edges of the door using dish soap and warm water. Dirt and grime can collect here and cause door stick to the fridge.</p>

## 11. DISPOSAL OF THE APPLIANCE

The refrigerator is built from reusable materials. It must be disposed of in compliance with current local waste disposal regulations. The appliance contains a small quantity of refrigerant (R600a) in the refrigerant circuit. For your safety please refer to the section of “the refrigerant and risk of fire” in this Instruction Manual before scrapping the appliance.

Please cut off the power cord to make the refrigerator unusable and remove the door seal and lock. Please be cautious of the cooling system and do not damage it by puncturing the refrigerant container and/or bending the tubing, and/or scratching of the surface coating.

**Correct Disposal of this product**



This symbol on the product or in its packing indicates that this product may not be treated as household waste. Instead, it should be taken to the appropriate waste collection point for the recycling of electrical and electronic equipment. By ensuring this product is disposed of correctly, you will help prevent potential negative consequences for the environment and human health, which could otherwise be caused by the inappropriate waste handling of this product. For more detailed information about the recycling of this product, please contact your local council your household waste disposal service, or the shop where you purchased the product.

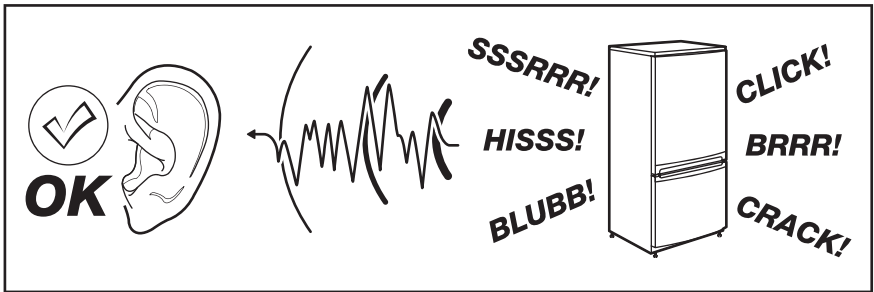
**12. TECHNICAL DATA**

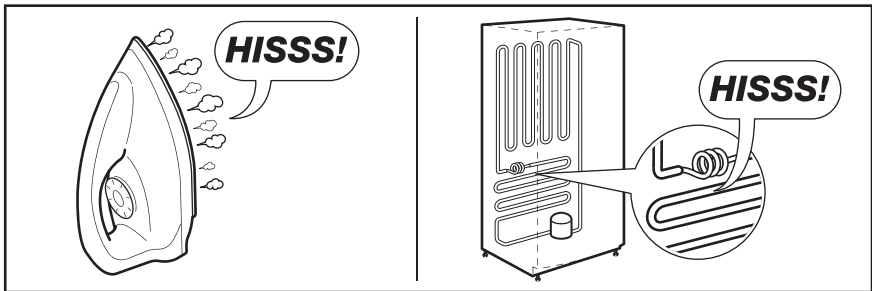
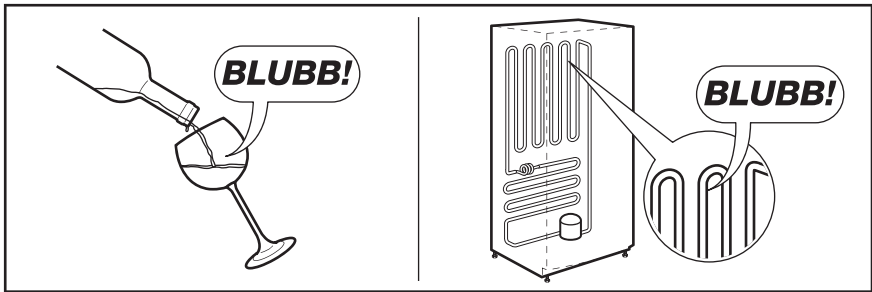
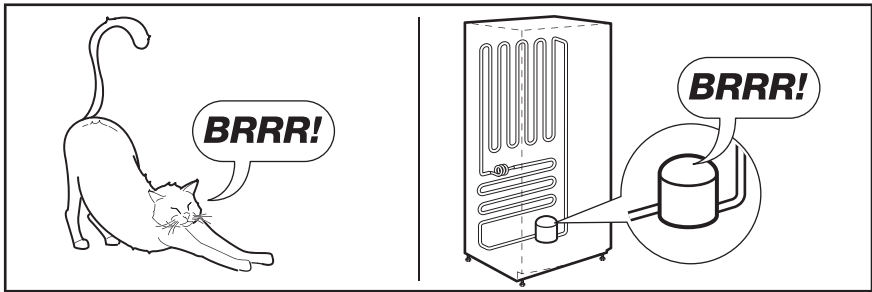
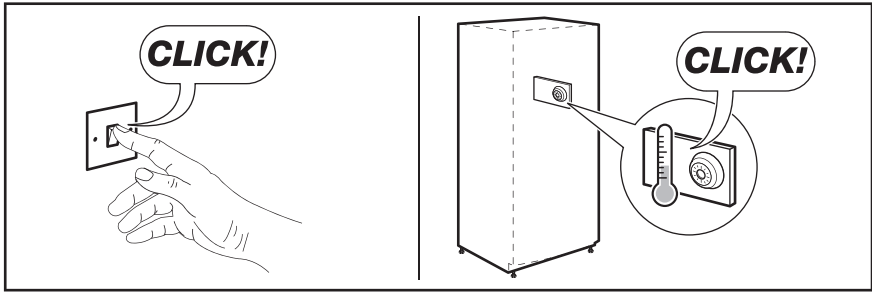
Dimension	
Height	1766 mm
Width	912 mm
Depth	765 mm
Rising Time	12 h
Voltage	220-240 V
Frequency	50 Hz

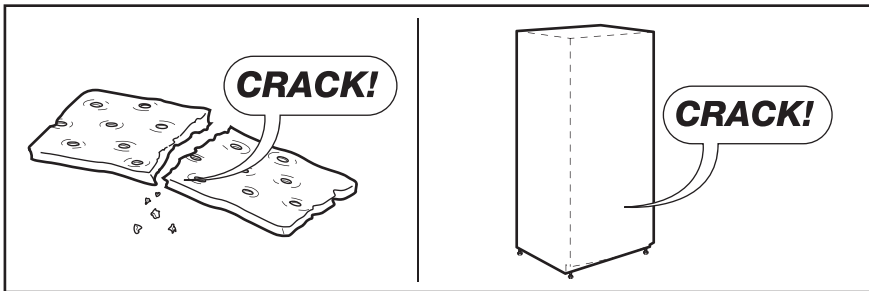
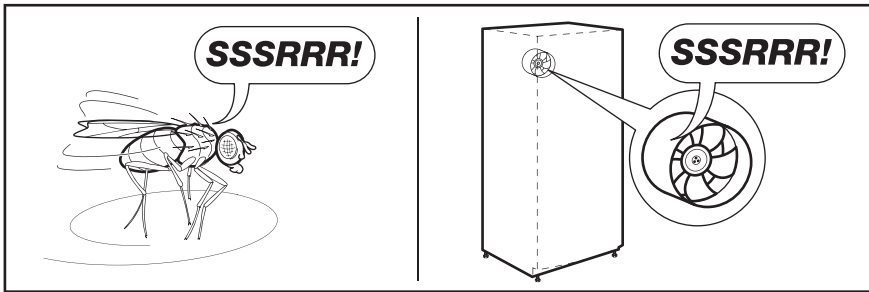
The technical information are situated in the rating plate on the internal left side of the appliance and in the energy label.

**13. NOISES**

There are some sounds during normal running (compressor, refrigerant circulation).









# SISUKORD

1. OHUTUSTEAVE.....	25
2. OHUTUSJUHISED .....	26
3. JÄÄTMEKÄITLUS .....	27
4. SEADME KIRJELDUS .....	28
5. UUE SEADME PAIGALDAMINE.....	30
6. EKRAANI JUHTNUPUD.....	32
7. SEADME KASUTAMINE .....	34
8. KASULIKKE NÄPUNÄITEID .....	38
9. PUHASTAMINE JA HOOLDUS.....	39
10. VEAOTSING .....	40
11. SEADME KÕRVALDAMINE.....	41
12. TEHNILISED ANDMED.....	42
13. HELID.....	42

## TÄIUSLIKE TULEMUSTE SAAVUTAMISEKS

Täname teid selle Electroluxi toote valimise eest. Lõime toote, mis võimaldab teil aastaid nautida laitmatuid tulemusi ning lisasime elu lihtsamaks ja kergemaks muutvaid innovaatilisi tehnoloogiaid – omadusi, mida te tavaliste seadmete juures ei pruugi leida. Leidke mõni minut aega ning lugege, kuidas seadmega parimaid tulemusi saavutada.

### Külastage meie veebisaiti:



Kasutusnõuanded, brošüürid, veaotsing, teave teeninduse kohta:  
**[www.electrolux.com](http://www.electrolux.com)**



Registreerige oma toode, et saada paremat teenindust:  
**[www.electrolux.com/productregistration](http://www.electrolux.com/productregistration)**



Saate osta lisaseadmeid, tarvikuid ja originaalvaruosi:  
**[www.electrolux.com/shop](http://www.electrolux.com/shop)**

## KLIENDITEENINDUS JA HOOLDUS

Kasutage ainult originaalvaruosi.

Meie volitatud hoolduskeskusesse pöördumisel peaksid teil olema varuks järgmised andmed: mudel, PNC, seerianumber.

Andmed leiate andmesildilt.

- Hoiatus / oluline ohutusinfo.
- Üldine teave ja näpunäited.
- Keskkonnateave.

Võib muutuda ilma ette teatamata.





# 1. OHUTUSTEAVE

Enne seadme paigaldamist ja kasutamist lugege kaasas olev juhend tähelepanelikult läbi. Tootja ei vastuta vale paigaldamise või ebaõige kasutuse tõttu tekkinud vigastuste ja kahjude eest. Hoidke juhend alles, et saaksite seda ka edaspidi kasutada.

## 1.1 Laste ja haavatavate isikute turvalisus

- Lapsed võivad seda seadet kasutada alates 8. eluaastast; vähenenud füüsiliste, sensoorsete või vaimsete võimetega või kogemuste ja teadmisteta isikud võivad seadet kasutada vaid järelevalve all ja tingimusel, et neid juhendatakse, kuidas seadet turvaliselt kasutada, ning nad mõistavad seadme kasutamisega kaasnevaid ohte.
- Ärge lubage lastel seadmega mängida.
- Ilma järelevalveta ei tohi lapsed seadet puhastada ega hooldustoiminguid läbi viia.
- Hoidke pakendid lastele kättesaamatus kohas.

## 1.2 Üldine ohutus

- See seade on mõeldud kasutamiseks koduses majapidamises või muudes sarnastes kohtades, näiteks:
  - taludes, poodides, kontorites jms juurde kuuluvates personalile mõeldud köökides;
  - hotellides, motellides ja muudes majutuskohtades klientide käsutuses olevates ruumides.
- Hoidke ventilatsiooniavad vabad nii eraldiseisva kui ka sisseehitatud seadme puhul.
- Ärge kasutage sulatamise kiirendamiseks mehhaanilisi seadmeid või muid kunstlikke vahendeid peale tootja poolt soovitatute.
- Vältige külmutusagensi süsteemi kahjustamist.
- Ärge kasutage toiduainete säilitamise osas elektriseadmeid, v.a tootja poolt soovitatud seadmed.
- Ärge kasutage seadme puhastamiseks vee- või aurupihustit.
- Puhastage seadet pehme niiske lapiga. Kasutage ainult neutraalseid pesuaineid. Ärge kasutage abrasiivseid tooteid ega küürimissvamme, lahusteid ega metallesemeid.
- Ärge hoidke seadmes plahvatusohtlikke aineid, näiteks tuleohtlikku propellenti sisaldavad aerosoolipurgid.

- Kui toitejuhe on kahjustatud, laske see ohutuse tagamiseks välja vahetada tootjal, tootja volitatud hoolduskeskusel või kvalifitseeritud isikul.
- Kui seade on varustatud jäävalmistaja või veedosaatori-ga, täitke neid ainult joogiveega.
- Kui seade vajab veeühendust, ühendage see ainult joogiveevarustusega.
- Sisselaske veesurve (minimaalne ja maksimaalne) peab olema vahemikus 1 baar (0,1 MPa) kuni 10 baari (1 MPa).

## 2. OHUTUSJUHISED

### 2.1 Paigaldamine



#### HOIATUS!

Seadet tohib paigaldada ainult kvalifitseeritud elektrik!

- Eemaldage kõik pakkematerjalid.
- Kahjustatud seadet ei tohi paigaldada ega kasutada.
- Järgige seadmega kaasas olevaid paigaldusjuhiseid.
- Olge seadme teisaldamisel ettevaatlik, sest see on raske. Kasutage alati kaitsekindaid.
- Jälgige, et õhk saaks seadme ümber vabalt liikuda.
- Enne seadme elektrivõrku ühendamist oodake vähemalt 4 tundi. See on vajalik selleks, et õli saaks kompressorisse tagasi valguda.
- Ärge paigutage seadet radiaatorite, pliitide ega ahjude lähedusse.
- Seadme tagakülg tuleb paigutada vastu seina.
- Ärge paigutage seadet otsese päikesevalgusega kohta.
- Ärge paigaldage seadet väga niiskesse ja külma ruumi, näiteks lisahoonesse, garaaži või veinikeldrisse.
- Seadme teisaldamisel tõstke seda esiservast, et vältida põranda kriimustamist.

### 2.2 Elektriühendus



#### HOIATUS!

Tulekahju- ja elektrilöögioht!

- Seade peab olema maandatud.

- Kontrollige, kas andmesildil toodud elektrilised parameetrid vastavad elektrivõrgu näitajatele. Vastasel juhul võtke ühendust elektrikuga.
- Kasutage alati nõuetekohaselt paigaldatud ohutut pistikupesaa.
- Ärge kasutage mitmikpistikuid ega pikenduskaableid.
- Olge ettevaatlik, et te ei kahjustaks elektrilisi osi (nt toitepistikut, toitejuhet, kompressorit). Elektriliste osade vahetamiseks pöörduge hoolduskeskusse või elektriku poole.
- Toitejuhe peab jääma toitepistikust allapoole. Ühendage toitepistik seinakontakti alles pärast paigalduse lõpuleviimist. Veenduge, et pärast paigaldamist säilib juurdepääs toitepistikule. Seadet välja lülitades ärge tõmmake toitejuhtmest. Haarake alati toitepistikust.

### 2.3 Kasutamine



#### HOIATUS!

Vigastuse, põletuse, elektrilöögi või tulekahju oht!

- Ärge muutke seadme tehnilisi omadusi.
- Ärge pange seadmesse muid elektriseadmeid (nt jäätisemasinat), kui see pole tootja poolt ette nähtud.
- Olge ettevaatlik, et mitte kahjustada külmutusagensi süsteemi. Külmutusagensi süsteem sisaldab isobutaani (R600a), mis on looduslik, suhteliselt keskkonnoohutu gaas. See gaas on süttimisohtlik.

- Kui külmutusagensi süsteem on kahjustatud, siis veenduge, et ruumis ei ole lahtist tuld ega süüteallikaid. Õhutage ruum korralikult.
- Jälgige, et kuumad esemed ei puutuks vastu seadme plastpindu.
- Ärge pange karastusjooke sügavkülmikusse. See tekitab joogipudelis rõhku.
- Ärge hoidke seadmes süttivaid gaase ega vedelikke.
- Ärge pange süttivaid või süttiva ainega määratud esemeid seadmesse, selle lähedale ega peale.
- Ärge puudutage kompressorit ega kondensaatorit. Need on kuumad.
- Ärge võtke märgade või niiskete kätega sügavkülmikust toiduaineid ega puudutage neid.
- Ärge külmutage juba ülessulatatud toiduaineid.
- Järgige külmutatud toiduainete pakenditel olevaid säilitusjuhiseid.

## 2.4 Sisevalgusti

- Selles seadmes kasutatava lambi tüüp ei sobi eluruumide valgustamiseks.

## 2.5 Puhastus ja hooldus



### HOIATUS!

Vigastuste või seadme kahjustamise oht!

- Enne hooldust lülitage seade välja ja ühendage toitepistik pistikupesast lahti.
- Selle seadme jahutusüksus sisaldab süsivesinikke. Süsteemi tohib hooldada ja täita ainult kvalifitseeritud tehnik.
- Kontrollige regulaarselt seadme sulamisvee äravooluava; vajadusel puhastage. Kui äravooluava on ummistunud, koguneb sulamisvesi seadme põhjale.

## 2.6 Jäätmekäitus





### HOIATUS!

Vigastus- või lämbumisoht!

- Ühendage seade elektrivõrgust lahti.
- Lõigake toitejuhe seadme küljest lahti ja visake ära.
- Eemaldage uks, et vältida laste ja loomade lõksujäämist seadmesse.
- Selle seadme külmutusagensi süsteem ja isolatsioonimaterjalid on osoonisõbralikud.
- Isolatsioonivaht sisaldab tuleohtlikku gaasi. Seadme õige kõrvaldamise kohta saate täpsemaid juhiseid kohalikest omavalitsusest.
- Ärge kahjustage soojuvaheti läheduses paiknevat jahutusüksust.

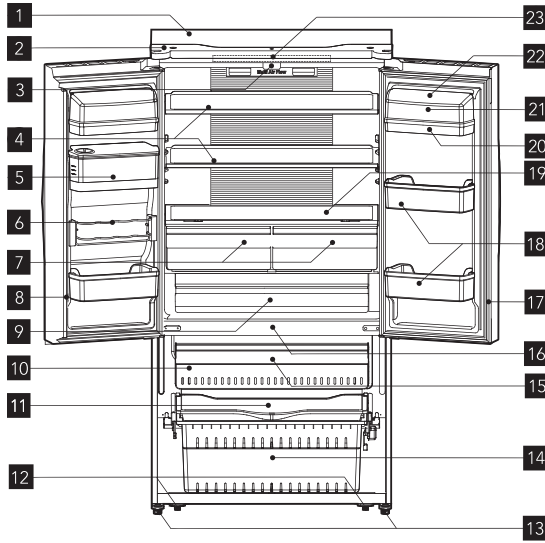
# 3. JÄÄTMEKÄITLUS

Sümboliga  tähistatud materjalid tuleb suunata ümbertöötlemisse. Selleks viige pakendid vastavatesse konteineritesse. Aidake hoida keskkonda ja inimeste tervist ning suunake elektri- ja elektroo-

nilised jäätmed ümbertöötlemisse. Ärge visake märgiga  tähistatud seadmeid majapidamisjäätmete hulka. Viige seade kohaliku jäätmejaama või pöörduge info saamiseks kohaliku omavalitsusse.

## 4. SEADME KIRJELDUS

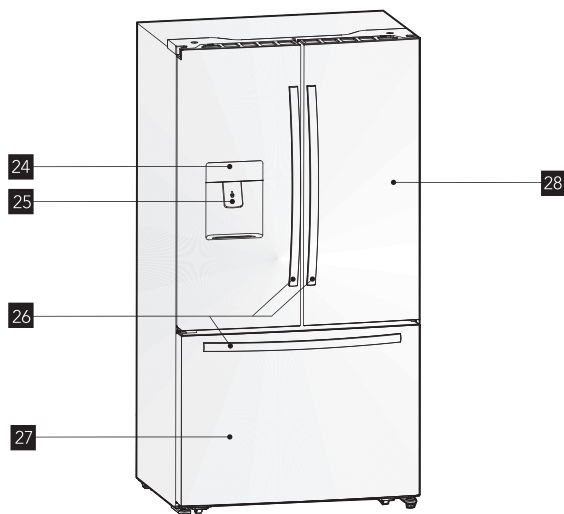
### 4.1 Seadme vaade 1



- |  |  |
|--|--|
| <b>1</b> Seade                               | <b>13</b> Reguleeritavad jalad             |
| <b>2</b> Ülemine kate                        | <b>14</b> Sügavkülmiku alumine sahtel      |
| <b>3</b> Vertikaalpaneeli juhtplokk          | <b>15</b> Sügavkülmiku ülemine sahtel      |
| <b>4</b> Klaasriiul                          | <b>16</b> Sügavkülmiku LED-tuli (sisemine) |
| <b>5</b> Veepaak                             | <b>17</b> Külmiku ukse tihend              |
| <b>6</b> Painduv joogipurgi riul             | <b>18</b> Alumine riul                     |
| <b>7</b> Puu- ja kõogiviljasahtel            | <b>19</b> Puu- ja kõogiviljasahtli kaas    |
| <b>8</b> Vertikaalpaneel                     | <b>20</b> Ülemine riul                     |
| <b>9</b> Värske toidu sahtel                 | <b>21</b> Munarest (sisemine)              |
| <b>10</b> Pööratav jääkuubikualus (sisemine) | <b>22</b> Riivli kaas                      |
| <b>11</b> Serveerimiskandik                  | <b>23</b> Külmiku LED-tuli (sisemine)      |
| <b>12</b> Rullikud                           |  |



## 4.2 Seadme vaade 2



**24** Ekraan

**25** Külma vee automaat

**26** Käepidemed

**27** Sügavkülmiku uks

**28** Külmiku uks

**Märkus.** Meie pideva tootearenduse tõttu võib teie külmik ülaltoodud pildist veidi erineda, kuid selle funktsioonid ja kasutusviisid on samad.

**Märkus.** Toote suurima energiatõhususe saavutamiseks paigutage kõik riiulid, sahtlid ja korvid nende ettenähtud kohtadele, nagu ülaltoodud joonisel näidatud.



Seda seadet müüakse Prantsusmaal. Vastavalt selles riigis kehtivatele eeskirjadele peab seadmel olema spetsiaalne seadis (vt joonist), mis on paigutatud külmiku alumisse kambrisse, et tähistada selle kõige külmemat tsooni.

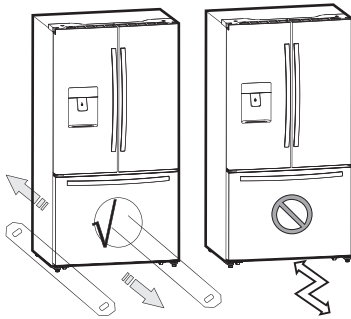
## 5. UUE SEADME PAIGALDAMINE

See jaotis kirjeldab uue seadme paigaldamist enne esmakordset kasutamist. Soovitame lugeda järgmisi nõuandeid.



### HOIATUS!

Külmiku õigeks paigaldamiseks asetage see tasasele ja kõvale pinnale, mis on ülejäänud põrandaga samal kõrgusel. Pind peab olema piisavalt tugev, et see taluks täielikult täis külmiku või umbes 120 kg (266 naela) raskust. Seadme liigutamisel tuleb seda lükata või tõmmata sirgjoones.



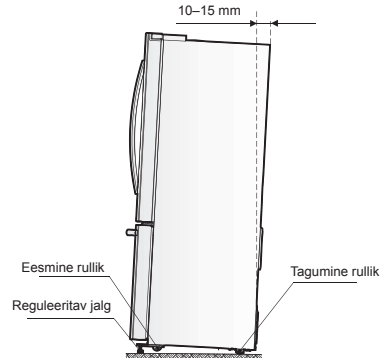
Klass	Sümbol	Õhu-temperatuuri vahemik (°C)
Subnormaalne	SN	+10 kuni +32
Normaalne	N	+16 kuni +32
Lähistroopiline	ST	+16 kuni +38
Troopiline	T	+16 kuni +43

### 5.1 Seadme loodimine

Seadme korralikuks loodimiseks ja vibratsiooni vältimiseks on selle esiosas reguleeritavad jalad. Loodige vastavalt järgmistele suunistele.

1. Liigutage külmik oma kohale.
2. Keerake reguleeritavaid jalgu (sõrmede või sobiva mutrivõtme abil), kuni need puudutavad maad.
3. Kallutage seadme ülemist osa veidi tahapoole (10–15 mm), keerates jalgu 1–2 pööret edasi. See võimaldab ustel iseseisvalt ja tihedalt sulguda.

4. Kui soovite seadet liigutada, keerake jalad uuesti üles, et seade saaks vabalt liikuda. Pärast ümberpaigutamist paigaldage seade uuesti.

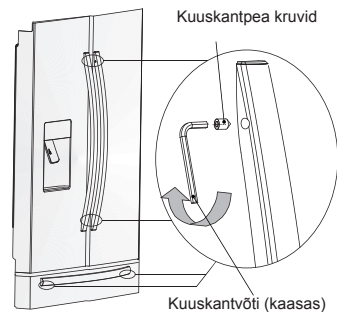


### HOIATUS!

Rullikuid tuleb liigutada ainult edasi või tagasi, kuna need ei liigu küljele. Külmiku liigutamine küljele võib kahjustada põrandat ja rullikuid.

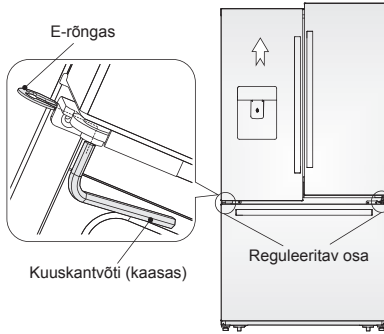
### 5.2 Uksekäepideme reguleerimine

Enne seadme kasutamist tuleb kontrollida selle käepidemeid. Kui need logisevad, reguleerige neid kuuskantvõtme abil päripäeva keerates, kuni käepidemed on tugevasti kinni. Igal käepidemel on kaks kruvi.



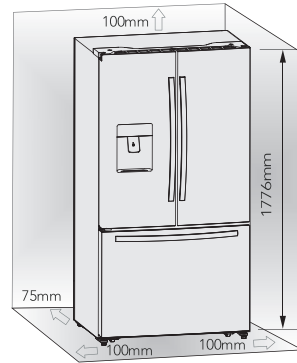
### 5.3 Uste reguleerimine

- Vasak- ja parempoolsel uksele on reguleeritavad teljed, mis asuvad alumistes hingedes.
- Enne külmiku uste reguleerimist veenduge, et külmik oleks loodis. Vaadake eelmist jaotist „Seadme loodimine”. Kui selgub, et ülemised uksead on erineval kõrgusel, sisestage kuuskantvõti hinge telge ja keerake seda ukse tõstmiseks päripäeva või ukse langetamiseks vastupäeva ning sisestage E-rõngas vahesse.

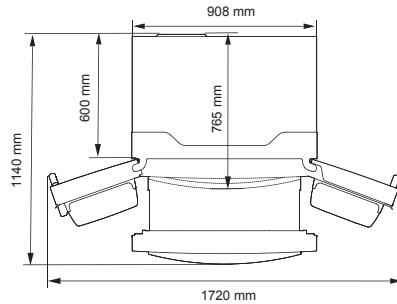


### 5.4 Seadme ventilatsioon

Jahutussüsteemi tõhususe ja energiasäästlikkuse suurendamiseks tuleb seadme ümbruses tagada piisav ventilatsioon soojust hajutamiseks. Selleks tuleb külmiku ümber jätta piisav vaba ruum, kus ei tohi olla takistusi, mis võivad mõjutada õhuringlust.



**Soovitus.** Seadme nõuetekohase töö tagamiseks tuleb järgida üllemisel joonisel toodud vahemaid.



## 6. EKRAANI JUHTNUPUD

Kõiki seadme funktsioone ja juhtnuppe saab kasutada külmiku uksele paikneva käepärase juhtpaneeli kaudu. Puutenupudega klahvistik ja digitaalne ekraan võimaldavad funktsioone ning seadeid hõlpsalt ja intuiitiivselt seadistada.

**Tähelepanu!** Puutenuppude kasutamiseks tuleb neid vaid korraks vajutada. Nupp toimib selle vabastamisel, mitte vajutamise ajal. Klahvistikku pole vaja jõuga vajutada. Lapseluku funktsiooni „Child Lock” kasutamiseks tuleb vajutada

nuppu „Alarm” vähemalt 3 sekundit. Täpsemaid suuniseid vaadake käesoleva juhendi vastavatest jaotistest. Juhtpaneel koosneb kahest temperatuurinäidikust, viiest ikoonist, mis näitavad erinevaid režiime, ja kuuest puutenupust. Seadme esmakordsel vooluvõrku ühendamisel süttib juhtpaneeli ikoonide taustavalgus. Kui ühtegi nuppu ei vajutata ja ukse on suletud, kustub taustavalgus 60 sekundi pärast.



### Temperatuuri reguleerimine

Külmiku esmakordsel elektrivõrku ühendamisel soovitame seada külmiku temperatuuriks 5 °C ja sügavkülmiku temperatuuriks -18 °C. Temperatuuri muutmiseks järgige alljärgnevat suuniseid.

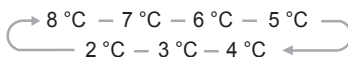


#### ETTEVAATUST!

Temperatuuri seadistamisel määrate keskmise temperatuuri kogu külmikuosale. Iga kambri temperatuur võib juhtpaneelil kuvatavatest temperatuuriväärtustest erineda, olenevalt sellest, kui palju toitu seal hoitakse ja kuidas see on paigutatud. Ümbritseva õhu temperatuur võib samuti mõjutada külmikus olevat tegelikku temperatuuri.

### 6.1 Külmik

Vajutage korduvalt nuppu „Fridge”, et seadistada soovitud temperatuuri vahemikus 8 °C kuni 2 °C. Iga vajutusega väheneb temperatuur 1 °C võrra ning külmiku temperatuurinäidik kuvab vastava väärtuse järgmises järjekorras.



### 6.2 Kiirjahutus



Fast Cool

Kui külmikusse tuleb korraga paigutada suur hulk toitu (näiteks pärast sisseostude tegemist), on soovitatav

aktiveerida kiirjahutuse funktsioon, et toit kiiremini maha jahutada ja vältida külmikus juba olevate toitade soojenemist.

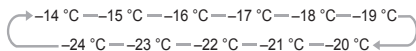
- Funktsiooni aktiveerimiseks vajutage nuppu „Fast Cool”. Süttib kiirjahutuse ikoon ja külmiku temperatuurinäidikule kuvatakse väärtus 2 °C.
- Kiirjahutus lülitub automaatselt välja 6 tunni pärast.
- Vajutage nuppu „Fast Cool” või „Fridge”, et tühistada kiirjahutuse režiim ja taastada eelmised temperatuuriseaded.



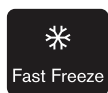


### 6.3 Külmutus

Vajutage nuppu „Freezer”, et seadistada sügavkülmiku soovitud temperatuuri vahemikus  $-14\text{ }^{\circ}\text{C}$  kuni  $-24\text{ }^{\circ}\text{C}$ , ning sügavkülmiku temperatuurinäidik kuvab vastava väärtuse järgmises järjekorras.



### 6.4 Kiirkülmutus



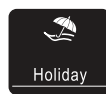
Kiirkülmutuse funktsioon langetab kiirelt külmutustemperatuuri ja külmutab toiduaineid oluliselt kiiremini kui tavaliselt.

Kiirkülmutuse funktsiooni aktiveerimiseks vajutage nuppu „Fast Freeze”. Süttib kiirkülmutuse ikoon ja temperatuurinäidikule „Fridge” kuvatakse väärtus  $-24\text{ }^{\circ}\text{C}$ .

- Esmakordsel kasutamisel või pärast pikaajalist kasutuspausi laske sügavkülmikul töötada 6 tundi tavarežiimil, enne kui kasutate kiirkülmutuse režiimi. See on eriti oluline, kui sügavkülmikusse pannakse suur kogus toitu.
- Kiirkülmutus lülitub automaatselt välja 26 tunni pärast ja sügavkülmiku temperatuur langeb alla  $-20\text{ }^{\circ}\text{C}$ .
- Vajutage nuppu „Fast Freeze” või „Freezer”, et tühistada kiirkülmutuse režiim ja taastada eelmised temperatuuriseaded.

**Märkus.** Kiirkülmutuse funktsiooni valimisel veenduge, et sügavkülmikuosas poleks pudeli- või purgijooke (eriti gaasilisi jooke). Pudelik ja purgid võivad lõhkeda.

### 6.5 Holiday



See funktsioon on loodud energiatarbimise ja elektriarvete minimeerimiseks, kui külmik ei ole pikemat aega kasutuses. Funktsiooni

aktiveerimiseks vajutage lühidalt nuppu „Holiday”, kuni süttib puhkuse ikoon.

**Tähelepanu!** Samal ajal ärge asetage külmikuosasse muid toiduaineid.

- Kui puhkuse funktsioon on aktiveeritud, lülitatakse külmik automaatselt temperatuurile  $15\text{ }^{\circ}\text{C}$ , et minimeerida energiatarbimist. Külmiku temperatuuriseade kuvab „—” ja sügavkülmikuosa jääb tööle.
- Vajutage nuppu „Holiday”, et tühistada puhkuse režiim ja taastada eelmised temperatuuriseaded.

### 6.6 Alarm



Alarmi korral süttib ikoon „Alarm” ja kõlab helisignaal. Alarmi ja helisignaali tühistamiseks vajutage nuppu „Alarm”, seejärel kustub

ikoon „Alarm”.



#### ETTEVAATUST!

Kui külmik lülitatakse pärast pikaajalist kasutuspausi sisse, võib aktiveeruda alarm. Sellisel juhul vajutage alarmi tühistamiseks nuppu „Alarm”.

### Ukse alarm

Hoiatustuli ja helisignaal viitavad tavapäratutele tingimustele, näiteks kui uks on juhuslikult lahti jäetud või toimunud on elektrikatkestus.

- Kui külmiku või sügavkülmiku uks jäetakse lahti kauemaks kui 2 minutit, aktiveerub ukse alarm ja helisignaal. Helisignaal piiksub 3 korda minutis 10 minuti jooksul. Ukse sulgemisel ukse alarm ja helisignaal tühistatakse.
- Energia säästmiseks ärge hoidke külmiku kasutamisel ukse kaua lahti. Ukse alarmi saab tühistada ka ukse sulgemisega.

## Temperatuuri alarm

See on tähtis funktsioon, mis hoiatab kasutajaid säilitatavate toiduainete võimalikust rikkumisest. Elektrikatkestuse korral jätab temperatuuri alarm meelde sügavkülmiku temperatuuri ajal, mil elektriühendus taastus. See on tõenäoliselt külmutatud toiduainete maksimaalne saavutatud temperatuur. Temperatuuri alarmist annab märku hoiatustuli ja helisignaal. Kui temperatuur on soojem kui  $-9\text{ }^{\circ}\text{C}$ , siis:

- süttib ikoon „Alarm“;
- kuvab sügavkülmiku temperatuurinäidik sümboli „H“;
- kõlab helisignaal alarmi aktiveerumisel 10 korda ja seejärel lõpeb automaatselt.

## 7. SEADME KASUTAMINE

### 7.1 Külma vee automaat

Külmiku vasakpoolses uksest olevat külma vee automaati kasutatakse joogivee hoidmiseks. See võimaldab saada hõlpsalt jahutatud vett ilma ust avamata.

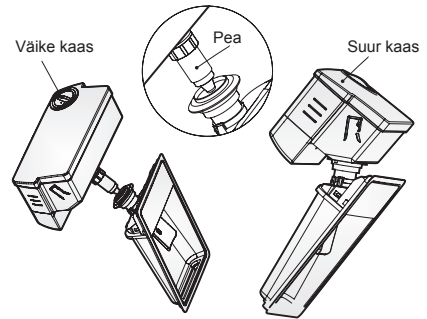
- Puhastamine  
Puhastage veeautomaati enne esmakordset kasutamist.
  1. samm: tõmmake veeautomaat välja.
  2. samm: peske seda puhta veega.
  3. samm: kuivatage see.
- Paigaldamine  
Veeautomaadi tagasi paigaldamiseks järgige järgmisi suuniseid.
  1. Hoidke veepaagi mõlemast küljest tugevasti kinni, tõstke see üles ja pange see uksest välja.
  2. Keerake pea lahti vastupäeva.
  3. Pange need tagasi ukse sisse ja lükake paaki, kuni kuulete klõpsatust.

## Κλειδωμα ασφαλείας για παιδιά



Lapselukku aktiveerimiseks vajutage ja hoidke all nuppu „Alarm“ umbes 3 sekundit. See blokeerib ekraani kasutamise, et vältida juhuslikku seadete muutmist. Samal ajal süttib ikoon „Child Lock“.

- Lapselukku režiimist väljumiseks vajutage ja hoidke all nuppu „Alarm“ 3 sekundit. Ikoon „Child Lock“ kustub.



### HOIATUS!

Veepaagi sisestamisel veenduge, et pea oleks korralikult auku sisestatud.

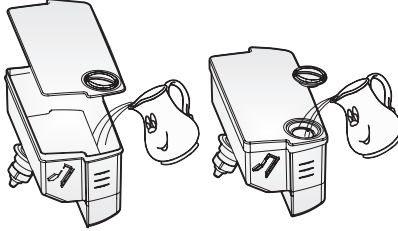
### Veega täitmine

Enne joogivee lisamist veepaaki kontrollige, et veepaak oleks korralikult ja õigesti paigas. Vee ülevoolamise ja mahaajamise vältimiseks ärge täitke veepaaki maksimumtaseme tähiseni, mis on umbes 4 l. Veepaaki saab täita kahe viisil.

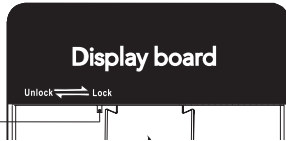
1. Eemaldades väikse kaane ja lisades vett suure kaane täiteava kaudu.
2. Eemaldades paagi suure kaane ja valades vett otse paaki.

**ETTEVAATUST!**

Ärge valage paaki muud vedelikku peale vee.



- Lukk  
Enne veejaoturi kasutamist kontrollige, et see oleks avatud asendis „unlock”. Lukustusseade asub ekraani all, nagu joonisel näidatud.



Lukustus-seade

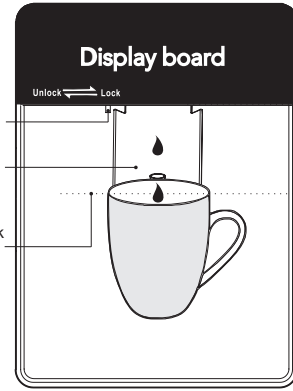
**HOIATUS!**

Lukustusseadet kasutatakse veejaoturi lukustamiseks. Ärge vajutage tugevasti veejaoturi hoovale, kui see on lukustatud asendis „lock”, kuna see võib jaoturit kahjustada või selle katki murda.

- Veeautomaadi kasutamine  
Kasutage veeautomaadist vee võtmiseks sobiva suurusega tassi.

**HOIATUS!**

Ärge tõmmake veejaoturi hooba välja, kui selle all pole tassi. Selle tagajärjel võib vesi jaoturist lekkima hakata. Kui veeautomaati ei kasutata, hoidke veepaaki siiski külmikus, et vältida külma õhu leket.



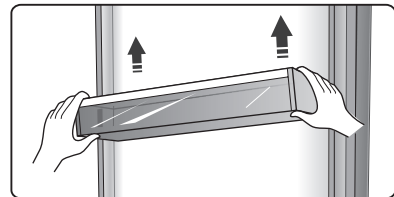
**Märkus.** Veeautomaadi sageli kasutamisel võib tilkuda alusele vett ja see võib hakata üle ajama. Vajaduse korral kuivatage alus rätikuga.

## 7.2 Ukseriulid

Külmikuosa sisaldab ukseriuleid, mis sobivad joogipurkide, joogipudelite ja pakendatud toidu säilitamiseks. Ärge pange ukseriulitesse palju raskeid toiduaineid.

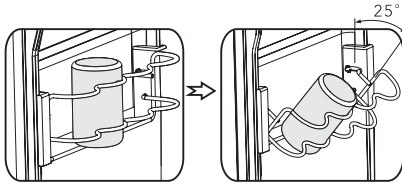
- Keskmist ukseriulit saab reguleerida erinevatele kõrgustele vastavalt vajadusele. Enne riili tõstmist ja eemaldamist tehke see tühjaks. Seejärel paigutage riil soovitud kõrgusele.

**Märkus.** Ülemisel riulil peaks olema munarest.



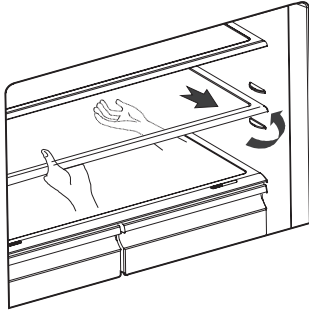
## 7.3 Joogipurgi riul

- See riil mahutab kuni neli tava suuruses purki, kuid see ei sobi alla 50 mm läbimõõduga purkidele. Riulit saab vajaduse korral 25° ulatuses kallutada, et lihtsustada jookide riulisse panekut või väljavõtmist.

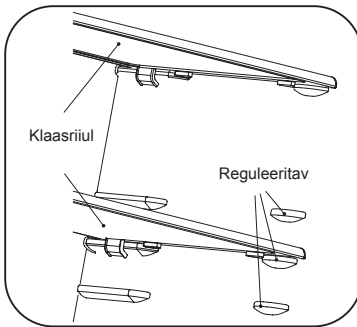


### 7.4 Klaasriiulid

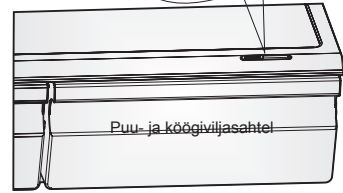
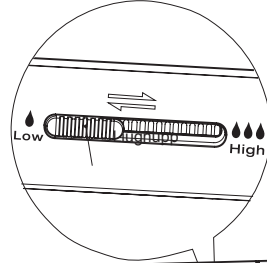
Külmikuosas on kaks klaasriiulit. Ülemine riul on fikseeritud, kuid alumine riul on reguleeritav. Alumist riulit saab paigutada kolme asendisse. Reguleerige riuli kõrgust vastavalt vajadusele.



- Riiulite eemaldamisel tõmmake neid ettevaatlikult ettepoole, kuni need väljuvad juhikutest.
- Riiulite paigaldamisel veenduge, et nende taga poleks takistusi, ja lükake need ettevaatlikult oma kohale.



### 7.5 Puu- ja köögiviljasahtel ning niiskuse reguleerimine

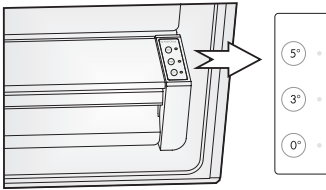


Puu- ja juurviljasahtel, mis on kinnitatud pikendatavatele teleskoopiuguritele, on mõeldud puu- ja juurviljade hoidmiseks. Sahtlis olevat niiskust saab reguleerida liugnupu abil.

- Niiskuse reguleerimise abil saab muuta õhuvoolu sahtlis – suurem õhuvool tagab väiksema niiskuse. Niiskuse suurendamiseks liigutage liugnuppu paremale.
- Kõrge niiskustase on soovitatav juurviljade ning madal niiskustase puuviljade säilitamiseks.
- Puu- ja juurviljasahkli või sügavkülmiku sahtli eemaldamiseks puhastamise eesmärgil järgige järgmisi lihtsaid suuniseid. Tühjendage puu- ja juurviljasahtel ning tõmmake see välja täielikult avatud asendisse. Tõstke sahtel külgmistelt liugurilt ära. Lükake liugurid lõpuni sisse, et vältida kahjustusi ukse sulgemisel.

## 7.6 VÄRSKE TSOON. Temperatuuri täppisjuhtimine (valikuline)

Toiduaineid saab hoida kauem värskena, kui neid säilitatakse nende optimaalsel temperatuuril, kuid erinevat tüüpi toiduained vajavad erinevaid säilitustemperatuure. Jahutussahtlist paremal asub selle sahtli juhtpaneel. VÄRSKE TSOONI nuppe kasutades saab sahtli temperatuuriks valida 0 °C, 3 °C ja 5 °C vastavalt sellele, kas hoiate seal liha, puu- ja juurvilju või kulinaariatooteid. Toiduainete säilitamiseks soovitatud seadeid vaadake allpool olevast tabelist.



Deli [5°C]	Vege. [3°C]	0°C [0°C]
Juust	Kurk	Praelõigud
Sink	Lehtsalat	Kala
Salaami	Apelsinid	Külmad lihalõigud
Oliivid	Mais	Linnuliha

## 7.7 Külmiuosa kasutamine

Külmiuosa sobib puu- ja juurviljade säilitamiseks. Soovitatav on pakkida erinevad toiduained eraldi, et vältida niiskusekadu või maitsete segunemist.



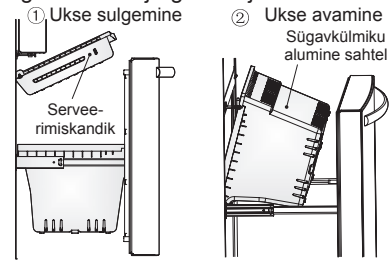
### ETTEVAATUST!

Ärge sulgege uksi, kui riulid, puu- ja juurviljasahtel ning/või teleskoopliugurid on välja tõmmatud. See võib seadet kahjustada.

## 7.8 Sügavkülmiku sahtli kasutamine

Sügavkülmiku sahtel sobib külmutamist vajava toidu, näiteks liha, jäätise jne säilitamiseks.

Sügavkülmiku sahtli eemaldamiseks tõmmake see täielikult välja, kallutage serveerimiskandikut üles ja tõstke see välja, seejärel tehke külmiku ukсед maksimaalselt lahti ning eemaldage sahtel, nagu näidatud järgmistel joonistel.



### ETTEVAATUST!

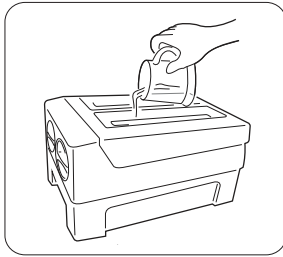
Ärge lubage beebidel või lastel ronida külmikusse, kuna see võib neid vigastada või külmikut kahjustada. Ärge istuge sügavkülmiku uksele. Uks võib puruneda. Ärge lubage lastel ronida sügavkülmiku korvi.

Kui eemaldate korvi puhastamiseks vaheosa, peate selle pärast puhastamist tagasi panema, et vältida laste lõksu jäämist korvi.

## 7.9 Pööratav jääkuubikualus

- Pööratav jääkuubikualus pannakse ülemisse sügavkülmiku sahtlisse jääkuubikute valmistamiseks ja hoidmiseks.

- Täitke alus joogiveega veidi alla maksimumtaseme.
- Pange täidetud jääkuubikualus hoidikusse tagasi.
- Oodake umbes 3 tundi, keerake nuppe päripäeva ja jääkuubikud kukuvad alumisse jääkasti.



## 8. KASULIKKE NÄPUNÄITEID

### 8.1 Energiasäästu nõuanded

Energia säästmiseks soovitame järgida järgmisi suuniseid.

- Püüdke mitte hoida külmiku ust pikka aega lahti, et säästa energiat.
- Veenduge, et seade ei paikneks soojusallikate lähedal (otsene päikesevalgus, elektriahi või -pliiit jne).
- Ärge seadistage temperatuuri külmemaks kui vaja.
- Ärge pange külmikusse sooja toitu ega auravaid vedelikke.
- Paigutage seade hea ventilatsiooniga niiskuvabasse ruumi. Vaadake uue seadme paigaldamise jaotist.
- Jaotise „Seadme kirjeldus“ vaade 1 näitab sahtlite, juur- ja puuviljasahtli ning riulite õiget paigutust. Ärge muutke seda, kuna see on kõige energiasäästlikum paigutusviis.

#### Näpunäiteid värskete toidu säilitamiseks külmikus

- Ärge pange külmikusse või sügavkülmikusse kuuma toitu. See suurendab sisetemperatuuri, mis omakorda suurendab kompressori töökoormust ja energiatarbimist.
- Katke toiduained kinni või mähkige sisse, eriti juhul, kui toiduaine on tugeva lõhnaga.
- Pange toit külmikusse nii, et õhk saaks selle ümber vabalt liikuda.

#### Näpunäiteid toidu säilitamiseks külmikus

- Liha mähkige kilekotti ja pange köögiviljasahtli kohal olevale klaasriiulile. Järgige alati toiduainete säilitusaegu ja kasutage neid vastavalt tootja soovitatud kuupäevadele.

4. Jääkuubikuid saab hoida jääkastis ning vajaduse korral saate jääkasti välja tõmmata ja jääd kasutada.

**Märkus.** Kui jääkuubikualust kasutatakse esimest korda või seda pole kaua kasutatud, tuleb see enne puhastada.

- Küpsetatud toidud, külmad road jms: kinni katta ja paigutada mis tahes riulile.
- Puu- ja köögiviljad: panna vastavasse sahtlisse.
- Või ja juust: mässida õhukindlalt fooliumisse või kilesse.
- Piimapudelid: sulgeda korgiga ja säilitada ukseriiumites.

### 8.2 Näpunäiteid sügavkülmutamiseks

- Esmakordsel kasutuselevõtmisel või pärast pikaajalist kasutuspausi laske seadmel vähemalt 2 tundi suuremal võimsusel töötada, enne kui sügavkülmikuosasse toiduaineid asetate.
- Jagage toiduained väiksemateks portsjoniteks, et need kiiresti läbi külmikuks ja saaksite hiljem ainult vajaliku koguse üles sulatada.
- Mähkige toit alumiiniumfooliumisse või kilesse ja veenduge, et pakend oleks õhukindel.
- Ärge pange värsket külmutamata toitu külmutatud toidu vastu, et vältida külmutatud toidu temperatuuri tõusmist.
- Külmunud toidu tarbimine kohe pärast sügavkülmikust väljavõtmist võib põhjustada naha külmakahjustusi.
- Säilitusaja jälgimiseks on soovitatav märkida külmutatud toidule kuupäev.

#### Näpunäiteid külmutatud toidu säilitamiseks

- Veenduge, et külmutatud toiduaineid säilitati poes nõuetekohaselt.



- Ülessulanud toit rikneb üsna ruttu ja seda ei tohi enam uuesti külmutada. Ärge ületage toidu tootja poolt määratud säilitusaega.

### 8.3 Seadme väljalülitamine

Kui seade tuleb pikemaks ajaks välja lülitada, tuleb hallituse vältimiseks toimida järgmiselt.

1. Eemaldage kõik toiduained.
2. Eemaldage toitepistik pistikupesast.
3. Puhastage ja kuivatage korralikult sügavkülmiku sisemus.
4. Jätke ukсед veidi lahti, et tagada õhuringlus.

## 9. PUHASTAMINE JA HOOLDUS

Hügieenilisuse tagamiseks tuleks seadme sise- ja välispindasid ning sisemisi tarvikuid korrapäraselt vähemalt iga 2 kuu järel puhastada.



#### ETTEVAATUST!

Puhastamise ajal ei tohi seade olla elektrivõrku ühendatud. Elektrilöögi oht! Enne puhastamist lülitage seade välja ja eemaldage elektrivõrgust.

### 9.1 Välispindade puhastamine

Seadme hea välimuse säilitamiseks tuleks seda regulaarselt puhastada.

- Pühkige digitaalset juhtpaneeli ja ekraani puhta pehme lapiga.
- Pritsige vett puhastuslapile, mitte otse seadme pinnale. See tagab seadme pinna ühtlase niisutamise.
- Puhastage ukсед, käepidemed ja külmiku pinnad õrna pesuvahendiga ning seejärel kuivatage pehme lapiga.



#### ETTEVAATUST!

- Ärge kasutage teravaid esemeid, kuna need võivad suure tõenäosusega pindu kriimustada.
- Ärge kasutage puhastamiseks vedeldit, autopesuvahendit, Cloroxit, eeterlikku õli, abrasiivseid puhastusvahendeid või orgaanilist lahustit (bensen). Need võivad kahjustada seadme pinda ja põhjustada tulekahju.

### 9.2 Sisepindade puhastamine

- Puhastage seadme sisemust regulaarselt. Puhastamine on lihtsam, kui külmikus on vähe toitu. Puhastage sügavkülmikuosa õrna söögisooda lahusega ning seejärel loputage sooja veega ja kuivatage kuivaks väänatud käsna või lapiga. Enne riulite ja korvide tagasipanemist kuivatage need täielikult. Kuivatage korralikult kõik pinnad ja eemaldatavad osad.
  - Kuiigi sellel seadmel on automaatne sulatus, võib sügavkülmikuosa sise-seintele tekkida jääkiht, kui sügavkülmiku ust avatakse sageli või hoitakse liiga kaua lahti. Kui jää on liiga paks, siis oodake hetke, kui sügavkülmikus on vähe toitu ja toimige järgmiselt.
    1. Võtke sügavkülmikust toit ja korvid välja, eemaldage seade elektrivõrgust ja jätke ukсед lahti. Õhutage ruumi korralikult, et kiirendada sulamisprotsessi.
    2. Kui sügavkülmik on sulatatud, puhastage seda ülalmainitud viisil.
- ETTEVAATUST!**  
Ärge kasutage sügavkülmikuosast härmatise eemaldamiseks teravaid esemeid. Seadme võib uuesti elektrivõrku ühendada ja sisse lülitada alles siis, kui selle sisemus on täiesti kuiv.



### 9.3 Uksetihendite puhastamine

Hoidke uksetihendid puhtana. Kleepuva toidu ja jookide tõttu võivad tihendid külmi külge kleepuda ning ukse avamisel rebeneda. Peske tihendeid õrna pesuvahendi ja sooja veega. Pärast puhastamist loputage ja kuivatage põhjalikult.



#### ETTEVAATUST!

Seadme võib sisse lülitada alles siis, kui tihendid on täielikult kuivanud.



#### HOIATUS!

LED-tuld ei tohi vahetada iseisvalt! Kui LED-tuli on katki, pöörduge abi saamiseks klienditoe poole.

## 10. VEAOTSING

Kui seadme töös ilmneb probleem või kahtlustate, et see ei tööta korralikult, saate teha mõned lihtsad kontrolltoimingud, enne kui helistate hooldusesse. Vt allpool. Enne hooldusesse helistamist saate teha mõned lihtsad kontrolltoimingud vastavalt sellele jaotisele.



#### HOIATUS!

Ärge proovige seadet iseisvalt parandada! Kui pärast allpool kirjeldatud kontrolltoiminguid probleem ei kao, võtke ühendust kvalifitseeritud elektrikuga, volitatud hooldustehnikuga või poega, kust toote ostsite.

Probleem	Võimalik põhjus ja lahendus
Seade ei tööta korralikult.	Kontrollige, kas toitejuhe on korralikult pistikupessa ühendatud.
	Kontrollige toiteallika voluringi või kaitset, vajaduse korral vahetage välja.
	See on normaalne, et sügavkülmik ei tööta automaatse sulatustsükli ajal või veidi aega pärast seadme sisselülitamist, et kaitsta kompressorit.
Külmikust tuleb lõhnu.	Külmiku sisemus võib vajada puhastamist.
	Teatud toidud, anumad või pakendid tekitavad lõhnu.
Seade tekitab müra.	Järgmised helid on tavapärased tööhelid. Kompressori töömüra. <ul style="list-style-type: none"> <li>Sügavkülmikuosa väikese ventilaatori mootorist või muust külmikuosast tulenev õhuvoolu müra.</li> <li>Vee keemisele sarnanev mulisev hääl.</li> <li>Praksuv heli automaatse sulatuse ajal.</li> <li>Klõpsuv heli enne kompressori käivitumist.</li> </ul>
	Muud tavapärased helid on tingitud allpool kirjeldatud põhjustest ning need võivad vajada kontrollimist ja kõrvaldamist. Seade pole loodis. Seadme tagakülg on vastu seinale. Pudelid või anumad on pikali kukkunud või veerevad.



Mootor töötab pidevalt.	See on normaalne, kui mootori heli on sageli kuulda. Mootori töökoormus suureneb järgmistest olukordades. <ul style="list-style-type: none"> <li>• Temperatuur on seadistatud külmemaks kui vaja.</li> <li>• Seadmesse on hiljuti pandud suur kogus sooja toitu.</li> <li>• Seadet ümbritsev temperatuur on liiga kõrge.</li> <li>• Uksi hoitakse kaua lahti.</li> <li>• Pärast seadme paigaldamist või pikaajalist kasutuspausi.</li> </ul>
Sügavkülmikusse tekib jääkiht.	Veenduge, et toit ei blokeeriks õhu väljalaskeavasid ning oleks paigutatud seadmesse nii, et oleks tagatud hea ventilatsioon. Kontrollige, et uks oleks korralikult kinni. Jää eemaldamise kohta lugege jaotisest „Puhastamine ja hooldus”.
Sisetemperatuur on liiga kõrge.	Uksed võisid olla liiga kaua või liiga sageli lahti või need pole takistuse tõttu korralikult suletud või pole seadme ümber piisavalt vaba ruumi.
Temperatuur on liiga madal.	Tõstke temperatuuri vastavalt jaotisele „Ekraani juhtnupud”.
Uksed ei sulgu vabalt.	Kontrollige, kas külmiku ülemine osa on 10–15 mm tahapoole kaldu, et võimaldada ustel ise sulguda, või on külmiku sees midagi, mis takistab uste sulgumist.
Vesi tilgub põrandale.	Veevann (asub külmiku taga alumises osas) võib olla kaldu, vee tühjendustila (asub kompressori hoidiku ülemise osa all) võib olla veevanni suhtes valesti paigutatud või on vee tühjendustila blokeeritud. Veevanni ja tila kontrollimiseks võib olla vajalik külmik seinast eemale nihutada.
Tuli ei tööta.	LED-tuli võib olla katki. Lugege LED-tule vahetamise kohta jaotisest „Puhastamine ja hooldus”. Juhtsüsteem on tuled välja lülitanud, kuna uks on olnud liiga kaua lahti; tuled sisselülitamiseks sulgege uks ning avage see uuesti.
Uksed ei avane vabalt.	Kontrollige uksetihendit ning vajaduse korral puhastage ukse servade ümber olev kummitihend nõudepesuvahendi ja sooja veega. Siia võib koguneda mustus, mille tõttu võib uks külmiku külge kinni jääda.

## 11. SEADME KÕRVALDAMINE

Külmik on ehitatud korduskasutatavatest materjalidest. Seade tuleb kõrvaldada kasutuselt vastavalt kehtivatele kohalikele jäätmete kõrvaldamise eeskirjadele. Seadme külmutusaine ringlus sisaldab väikeses koguses külmutusainet (R600a). Teie turvalisuse huvides vaadake enne seadme kasutuselt kõrvaldamist

käesoleva kasutusjuhendi jaotist külmutusaine ja tuleohu kohta. Lõigake toitejuhe ära, et muuta seade kasutuskõlbmatuks, ning eemaldage uksetihend ja lukk. Olge jahutussüsteemi osas ettevaatlik ning ärge kahjustage seda külmutusaine mahutit läbi torgates, torusid väänates ja/või pinda kriimustades.

### Toote nõuetekohane kõrvaldamine



See sümbol tootel või selle pakendil näitab, et seda toodet ei ole lubatud käsitleda majapidamisjäätmena. Selle asemel tuleb see viia elektri- ja elektrooniliste seadmete kogumispunkti. Selle toote õige kõrvaldamine aitab ära hoida võimalikke negatiivseid tagajärgi keskkonnale ja inimeste tervisele, mis vale kõrvaldamise korral ilmned võiksid. Üksikasjalikuma teabe saamiseks toote utiliseerimise kohta palume teil pöörduda kohaliku omavalitsusse, kohaliku majapidamisjäätmete käitlusega tegeleva ettevõtte poole või kauplusesse, kust toote ostsite.

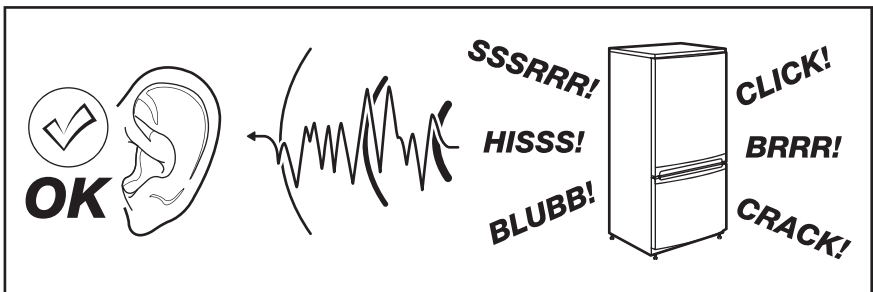
## 12. TEHNILISED ANDMED

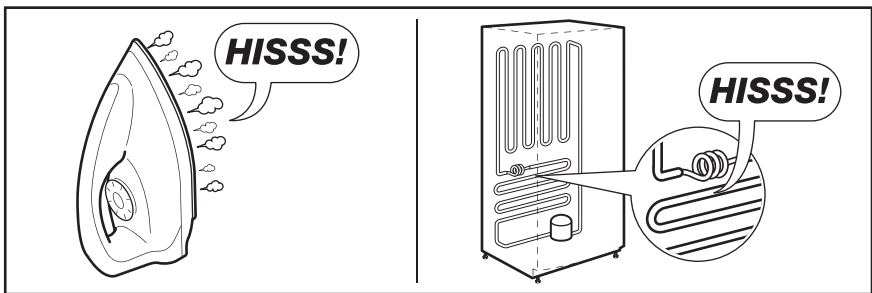
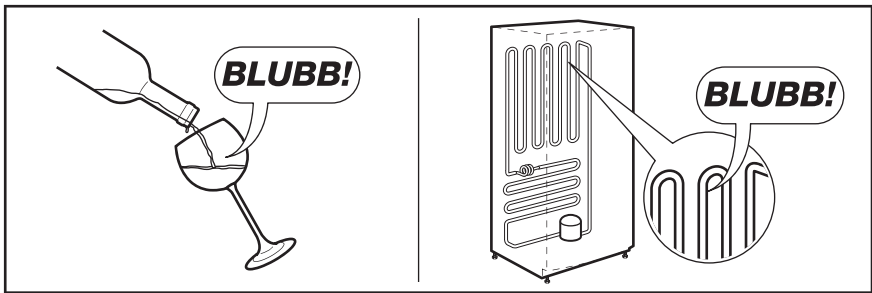
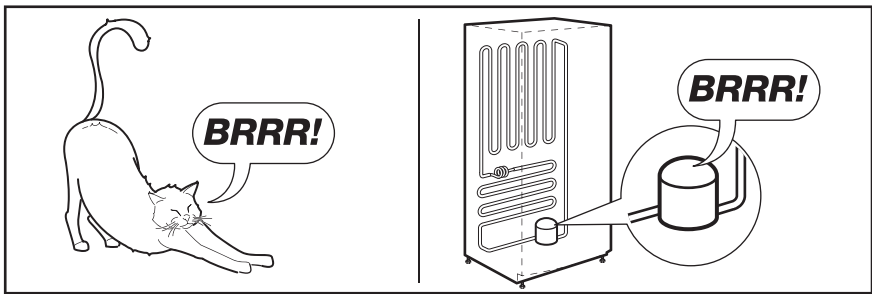
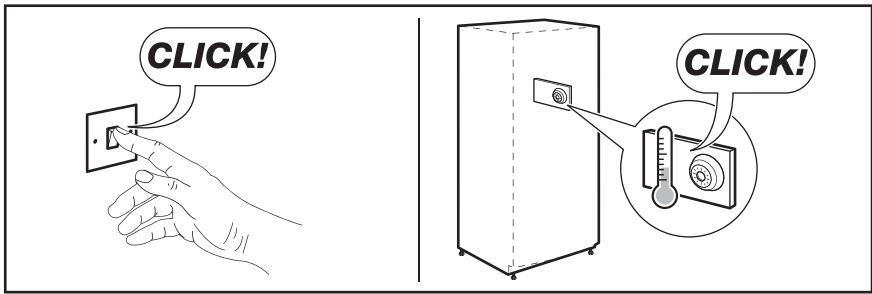
Mõõt	
Kõrgus	1766 mm
Laius	912 mm
Sügavus	765 mm
Temperatuuri tõusu aeg	12 h
Pinge	220-240 V
Sagedus	50 Hz

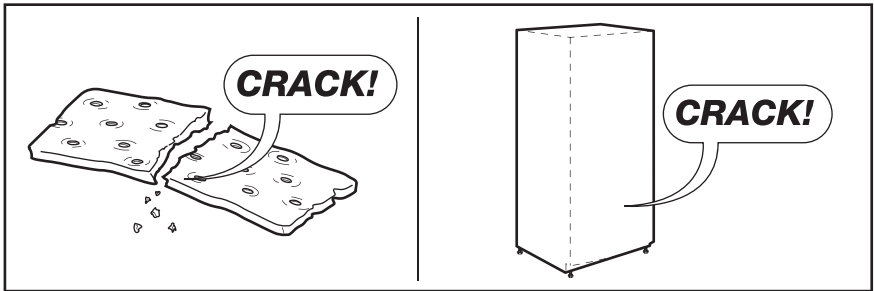
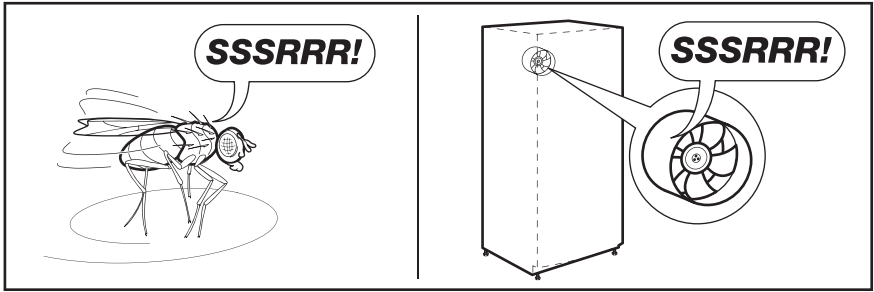
Täiendavad tehnilised andmed on kirjas andmesildil, mis asub seadme vasakul siseküljel, ja energiasildil.

## 13. HELID

Tavakasutusel võib seade tuua kuuldavale mõningaid helisid (kompressor, külmutusagensi süsteem).











## SOMMAIRE

1. INFORMATIONS SUR LA SÉCURITÉ .....	47
2. CONSIGNES DE SÉCURITÉ .....	48
3. PROTECTION DE L'ENVIRONNEMENT.....	50
4. DESCRIPTION DE L'APPAREIL.....	50
5. INSTALLATION DE VOTRE NOUVEL APPAREIL .....	52
6. COMMANDES AFFICHÉES À L'ÉCRAN.....	54
7. UTILISATION DE L'APPAREIL.....	56
8. CONSEILS UTILES.....	61
9. NETTOYAGE ET ENTRETIEN.....	62
10. RÉOLUTION DES PROBLÈMES EN CAS D'ANOMALIE DE FONCTIONNEMENT .....	63
11. MISE AU REBUT DE L'APPAREIL.....	65
12. DONNÉES TECHNIQUES .....	66
13. BRUITS .....	66

## POUR DES RÉSULTATS PARFAITS

Merci d'avoir choisi ce produit Electrolux. Nous l'avons conçu pour qu'il vous offre des performances irréprochables pour longtemps, en intégrant des technologies innovantes qui vous simplifient la vie grâce à des caractéristiques que vous ne trouverez pas forcément sur des appareils ordinaires. Veuillez prendre quelques instants pour lire cette notice afin d'utiliser au mieux votre appareil.

**Visitez notre site Internet pour :**



Obtenir des conseils d'utilisation, des brochures, de l'aide, des informations :  
**[www.electrolux.com](http://www.electrolux.com)**



Enregistrer votre produit pour obtenir un meilleur service :  
**[www.electrolux.com/productregistration](http://www.electrolux.com/productregistration)**



Acheter des accessoires, consommables et pièces de rechange d'origine pour votre appareil :  
**[www.electrolux.com/shop](http://www.electrolux.com/shop)**

## SERVICE APRÈS-VENTE

Utilisez exclusivement des pièces de rechange d'origine.

Avant de contacter le service, assurez-vous de disposer des informations suivantes : modèle, PNC, numéro de série.

Vous trouverez ces informations sur la plaque signalétique.



Avertissement/Attention : informations sur la sécurité.



Informations générales et conseils.



Informations en matière de protection de l'environnement.

Sous réserve de modifications.



# 1. INFORMATIONS SUR LA SÉCURITÉ

Avant d'installer et d'utiliser cet appareil, lisez soigneusement les instructions fournies. Le fabricant ne peut être tenu responsable des dommages et blessures liés à une mauvaise installation ou utilisation. Conservez toujours cette notice avec votre appareil pour vous y référer ultérieurement.

## 1.1 Sécurité des enfants et des personnes vulnérables

- Cet appareil peut être utilisé par des enfants de plus de 8 ans ainsi que des personnes dont les capacités physiques, sensorielles et mentales sont réduites ou dont les connaissances et l'expérience sont insuffisantes, à condition d'être surveillés ou d'avoir reçu des instructions concernant l'utilisation sécurisée de l'appareil et de comprendre les risques encourus.
- Ne laissez pas les enfants jouer avec l'appareil.
- Les enfants ne doivent pas nettoyer ou entreprendre une opération de maintenance sur l'appareil sans surveillance.
- Ne laissez pas les emballages à la portée des enfants.

## 1.2 Sécurité générale

- Cet appareil est conçu uniquement pour un usage domestique et des utilisations telles que :
  - Dans les bâtiments de ferme, les cuisines réservées aux employés dans des magasins, les bureaux et autres lieux de travail
  - Pour une utilisation privée, par les clients, dans des hôtels et autres lieux de séjour
- Veillez à ce que les orifices de ventilation, situés dans l'enceinte de l'appareil ou dans la structure intégrée, ne soient pas obstrués.
- N'utilisez aucun dispositif mécanique ou autre appareil pour accélérer le processus de dégivrage que ceux recommandés par le fabricant.
- N'endommagez pas le circuit frigorifique.
- N'utilisez pas d'appareils électriques à l'intérieur des compartiments de conservation des aliments de l'appareil, sauf s'ils sont du type recommandé par le fabricant.

- Ne pulvérisez pas d'eau ni de vapeur pour nettoyer l'appareil.
- Nettoyez l'appareil avec un chiffon doux humide. Utilisez uniquement des produits de nettoyage neutres. N'utilisez pas de produits abrasifs, de tampons à récurer, de solvants ni d'objets métalliques.
- Ne conservez aucune substance explosive dans cet appareil, comme des aérosols contenant un produit inflammable.
- Si le câble d'alimentation est endommagé, il doit être remplacé par le fabricant, son service après-vente ou des personnes de qualification similaire afin d'éviter tout risque.
- Si l'appareil est équipé d'un appareil à glaçons ou un d'un distributeur d'eau, remplissez-les uniquement d'eau potable.
- Si l'appareil nécessite un raccordement à une arrivée d'eau, raccordez-le à une source d'eau potable uniquement.
- La pression de l'eau à l'arrivée (minimale et maximale) doit être comprise entre 1 bar (0,1 MPa) et 10 bar (1 MPa)

## 2. CONSIGNES DE SÉCURITÉ

### 2.1 Installation



#### **ATTENTION !**

L'appareil doit être installé uniquement par un professionnel qualifié.

- Retirez l'intégralité de l'emballage.
- N'installez pas et ne branchez pas un appareil endommagé.
- Suivez scrupuleusement les instructions d'installation fournies avec l'appareil.
- L'appareil est lourd, soyez toujours prudent lorsque vous le déplacez. Portez toujours des gants de sécurité.
- Assurez-vous que l'air circule autour de l'appareil.
- Attendez au moins 4 heures avant de brancher l'appareil sur le secteur. Cela permet à l'huile de refouler dans le compresseur.

- N'installez pas l'appareil à proximité d'un radiateur, d'une cuisinière, d'un four ou d'une table de cuisson.
- La surface arrière de l'appareil doit être positionnée contre un mur.
- N'installez pas l'appareil dans un endroit exposé à la lumière directe du soleil.
- N'installez pas l'appareil dans un endroit trop humide ou trop froid, comme une dépendance extérieure, un garage ou une cave.
- Lorsque vous déplacez l'appareil, veillez à le soulever par l'avant pour éviter de rayer le sol.

### 2.2 Branchement électrique



#### **ATTENTION !**

Risque d'incendie ou d'électrocution.



- L'appareil doit être relié à la terre.
- Vérifiez que les données électriques figurant sur la plaque signalétique correspondent à celles de votre réseau. Si ce n'est pas le cas, contactez un électricien.
- Utilisez toujours une prise antichoc correctement installée.
- N'utilisez pas d'adaptateurs multi-prises ni de rallonges.
- Veillez à ne pas endommager les composants électriques tels que la fiche secteur, le câble d'alimentation ou le compresseur. Contactez le service après-vente ou un électricien pour changer les composants électriques.
- Le câble d'alimentation doit rester en dessous du niveau de la fiche secteur. Ne branchez la fiche d'alimentation à la prise de courant qu'à la fin de l'installation. Assurez-vous que la prise de courant est accessible une fois l'appareil installé. Ne tirez jamais sur le câble d'alimentation pour débrancher l'appareil. Tirez toujours sur la fiche.
- Ne placez pas de produits inflammables ou d'éléments imbibés de produits inflammables à l'intérieur ou à proximité de l'appareil, ni sur celui-ci.
- Ne touchez pas le compresseur ni le condenseur. Ils sont chauds.
- Ne retirez pas et ne touchez pas les éléments du compartiment congélateur avec les mains mouillées ou humides.
- Ne recongelez jamais un aliment qui a été décongelé.
- Respectez les instructions de stockage figurant sur l'emballage des aliments surgelés.

## 2.4 Éclairage interne

- Le type d'ampoule utilisé pour cet appareil n'est pas adapté à l'éclairage de votre habitation.

## 2.5 Entretien et nettoyage



### ATTENTION !

Risque de blessure corporelle ou de dommages matériels.

- Avant toute opération d'entretien, éteignez l'appareil et débranchez la fiche de la prise secteur.
- Cet appareil contient des hydrocarbures dans son circuit de réfrigération. L'entretien et la recharge du circuit de réfrigération doivent être effectués par un professionnel qualifié.
- Vérifiez régulièrement l'orifice d'écoulement d'eau de dégivrage de l'appareil et si nécessaire, nettoyez-le. Si l'orifice est bouché, l'eau provenant du dégivrage s'écoulera en bas de l'appareil.

## 2.6 Mise au rebut



### ATTENTION !

Risque de blessure ou d'asphyxie.

- Débranchez l'appareil de l'alimentation électrique.
- Coupez le câble d'alimentation et mettez-le au rebut.
- Retirez la porte pour empêcher les enfants et les animaux de s'enfermer dans l'appareil.

## 2.3 Usage



### ATTENTION !

Risque de blessures, de brûlures, d'électrocution ou d'incendie.

- Ne modifiez pas les caractéristiques de cet appareil.
- Ne placez aucun appareil électrique (sorbetière, etc.) dans l'appareil, en l'absence d'indications du fabricant.
- Veillez à ne pas endommager le circuit frigorifique. Il contient de l'isobutane (R600a), un gaz naturel ayant un niveau élevé de compatibilité environnementale. Ce gaz est inflammable.
- Si le circuit frigorifique est endommagé, assurez-vous de l'absence de flammes et de sources d'ignition dans la pièce. Aérez la pièce.
- Évitez tout contact d'éléments chauds avec les parties en plastique de l'appareil.
- Ne placez jamais de boissons gazeuses dans le compartiment congélateur. Cela engendrerait une pression sur le récipient de la boisson.
- Ne stockez jamais de gaz ou de liquide inflammable dans l'appareil.

- Le circuit frigorifique et les matériaux d'isolation de cet appareil préservent la couche d'ozone.
- La mousse isolante contient un gaz inflammable. Contactez votre service municipal pour obtenir des informations sur la marche à suivre pour mettre l'appareil au rebut.
- N'endommagez pas la partie du circuit de réfrigération située à proximité du condenseur thermique.

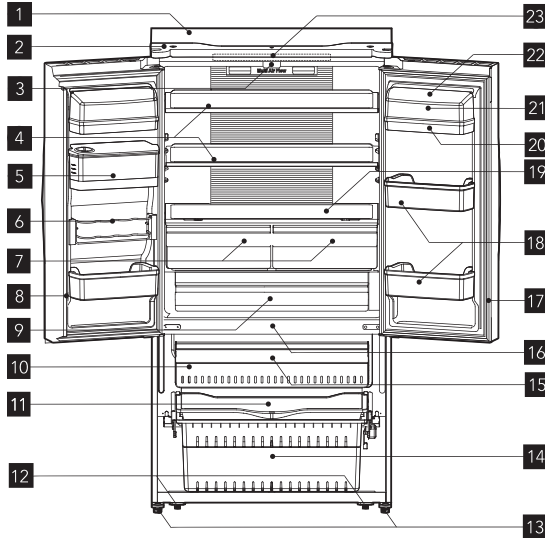
### 3. PROTECTION DE L'ENVIRONNEMENT

Recyclez les matériaux portant le symbole ♻️. Déposez les emballages dans les conteneurs prévus à cet effet. Merci d'aider à protéger l'environnement et la santé de tous en recyclant les déchets

issus d'appareils électriques et électroniques. Ne jetez pas les appareils portant le symbole ⚡ avec les ordures ménagères. Apportez le produit à un recycleur local ou contactez le service municipal.

### 4. DESCRIPTION DE L'APPAREIL

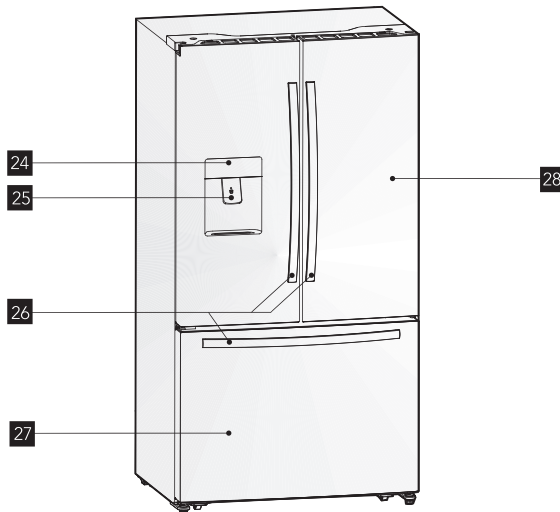
#### 4.1 Vue 1 de l'appareil





- |  |   |
|--|---|
| <b>1</b> Armoire                             | <b>13</b> Pieds inférieurs réglables              |
| <b>2</b> Cache supérieur                     | <b>14</b> Tiroir de congélation inférieur         |
| <b>3</b> Butée de séparation verticale       | <b>15</b> Tiroir de congélation supérieur         |
| <b>4</b> Clayette en verre                   | <b>16</b> Voyant LED du congélateur (intérieur)   |
| <b>5</b> Réservoir d'eau                     | <b>17</b> Joint de porte du réfrigérateur         |
| <b>6</b> Support flexible pour canettes      | <b>18</b> Balconnet inférieur                     |
| <b>7</b> Bac à fruits et légumes             | <b>19</b> Couvercle du bac à légumes              |
| <b>8</b> Séparation verticale                | <b>20</b> Balconnet supérieur                     |
| <b>9</b> Zone fraîcheur                      | <b>21</b> Bac à œufs (intérieur)                  |
| <b>10</b> Bac à glaçons flexible (intérieur) | <b>22</b> Couvercle du balconnet                  |
| <b>11</b> Plateau                            | <b>23</b> Voyant LED du réfrigérateur (intérieur) |
| <b>12</b> Roulettes                          |   |

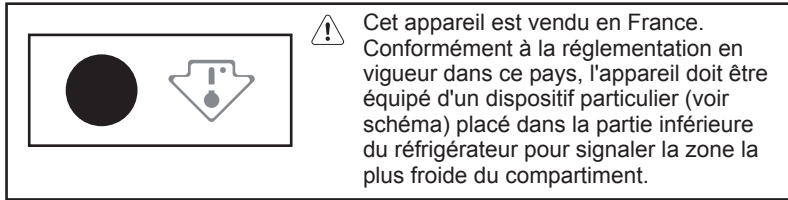
## 4.2 Vue 2 de l'appareil



- |                                     |                                  |
|-------------------------------------|----------------------------------|
| <b>24</b> Panneau d'affichage       | <b>27</b> Porte du congélateur   |
| <b>25</b> Distributeur d'eau froide | <b>28</b> Porte du réfrigérateur |
| <b>26</b> Poignées                  |                                  |

**Remarque :** en raison des améliorations apportées régulièrement à nos produits, il est possible que votre réfrigérateur soit légèrement différent de l'illustration ci-dessus, mais ses fonctions et son mode d'emploi restent les mêmes.

**Remarque :** pour permettre au produit d'offrir la meilleure efficacité énergétique, veuillez positionner l'ensemble des étagères, tiroirs et paniers à leur emplacement d'origine conformément à l'illustration ci-dessus.



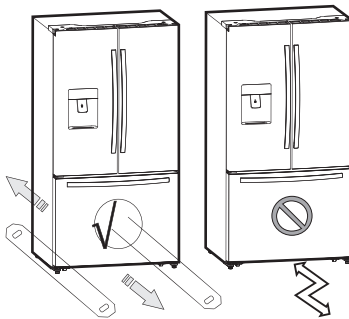
## 5. INSTALLATION DE VOTRE NOUVEL APPAREIL

Cette section présente l'installation du nouvel appareil avant sa toute première utilisation. Nous vous recommandons de lire les conseils suivants.



### ATTENTION !

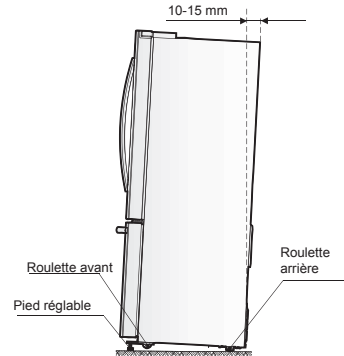
Pour garantir l'installation correcte de ce réfrigérateur, vous devez le placer sur une surface plane et rigide, située à la même hauteur que le reste du sol. Cette surface doit être suffisamment solide pour supporter le poids du réfrigérateur une fois celui-ci entièrement chargé, soit environ 120 kg. Lors de son déplacement, veillez à le tirer vers l'avant et à le repousser en ligne droite.



### 5.1 Mise à niveau de l'appareil

Pour une mise à niveau appropriée et afin d'éviter toute vibration, cet appareil est livré avec des pieds réglables à l'avant. Veuillez ajuster le niveau en suivant les instructions ci-dessous :

1. Faites rouler l'appareil jusqu'à son emplacement.
2. Tournez les pieds réglables (avec les doigts ou une clé adaptée) jusqu'à ce qu'ils touchent le sol.
3. Inclinez d'environ 10 à 15 mm vers l'arrière la partie supérieure en tournant les pieds d'un à deux tours supplémentaires. Cette opération permettra aux portes de se refermer automatiquement et de façon bien hermétique.
4. Lorsque vous souhaitez déplacer l'appareil, n'oubliez pas de relever les pieds pour qu'il puisse rouler librement. Réglez de nouveau l'appareil en fonction de son nouvel emplacement.



Classe	Symbole	Plage de température ambiante (°C)
Tempéré de façon prolongée	SN	+10 à +32
Tempéré	N	+16 à +32
Subtropical	ST	+16 à +38
Tropical	T	+16 à +43

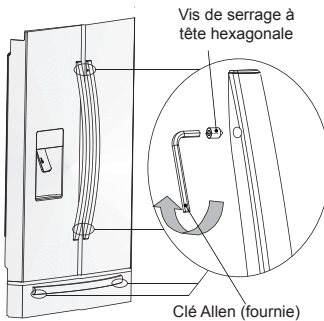


### ATTENTION !

Nous vous recommandons d'utiliser les roulettes uniquement pour des déplacements vers l'avant ou l'arrière, étant donné qu'elles ne pivotent pas. Si vous déplacez l'appareil latéralement, vous risquez d'endommager le sol et les roulettes.

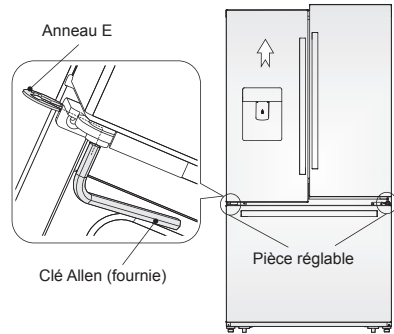
## 5.2 Réglage de la poignée de porte

Avant d'utiliser l'appareil, vérifiez les poignées du réfrigérateur. Si les poignées sont desserrées, ajustez-les en utilisant une clé Allen dans le sens des aiguilles d'une montre jusqu'à ce qu'elles soient bien en place. Chacune des poignées est équipée de 2 vis.



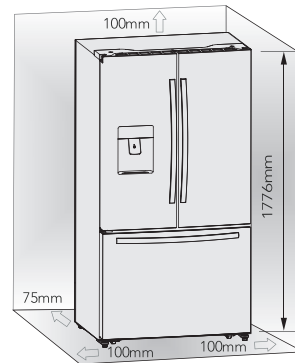
## 5.3 Réglage des portes

- Les portes gauche et droite sont équipées d'axes réglables, situés dans les charnières inférieures.
- Avant de régler les portes du réfrigérateur, assurez-vous qu'il est de niveau. Consultez pour cela la section précédente « Mise à niveau de l'appareil ». Si vous estimez que la partie supérieure des portes n'est pas de niveau, insérez la clé Allen dans l'axe de la charnière, tournez-la dans le sens des aiguilles d'une montre pour relever la porte ou dans le sens inverse pour l'abaisser, puis introduisez un anneau E dans l'interstice.

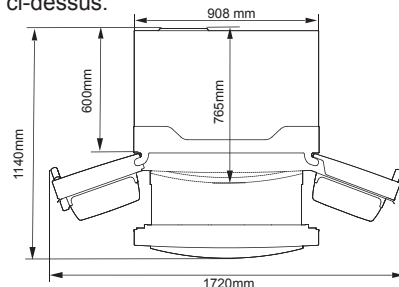


## 5.4 Ventilation de l'appareil

Pour améliorer l'efficacité du système de refroidissement et économiser de l'énergie, il est nécessaire de maintenir une bonne ventilation autour de l'appareil et de garantir la dissipation de la chaleur. Pour cette raison, il est recommandé de laisser un espace suffisant autour du réfrigérateur et de retirer tout objet susceptible de gêner la circulation de l'air.



**Suggestion :** pour assurer un bon fonctionnement de l'appareil, respectez les distances indiquées sur le graphique ci-dessus.



## 6. COMMANDES AFFICHÉES À L'ÉCRAN

Toutes les fonctions et commandes de l'appareil sont accessibles à partir d'un panneau de commande situé sur la porte du réfrigérateur. Un pavé composé de touches et un affichage numérique permettent de configurer les fonctions et les paramètres de l'appareil en toute simplicité et de façon intuitive.

**Important !** Pour activer une touche, il suffit d'appuyer brièvement dessus. L'action est effectuée lorsque vous relâchez votre doigt et non lorsque vous appuyez sur la touche correspondante. Il n'est pas nécessaire d'appuyer sur le pavé. Pour activer le verrouillage enfant associé à la touche « Alarm », il convient d'appuyer

au moins 3 secondes dessus. Veuillez vous reporter aux sections correspondantes dans ce manuel pour obtenir des instructions détaillées. Le panneau de commande se compose de deux zones réservées à l'indication de la température, de cinq icônes représentant les différents modes et de six touches tactiles. Lorsque l'appareil est mis sous tension pour la toute première fois, le rétroéclairage des icônes du panneau d'affichage est activé. Si vous n'avez appuyé sur aucune touche et que les portes de l'appareil restent fermées, le rétroéclairage est désactivé au bout de 60 secondes.



### Réglage de la température

Lorsque vous mettez votre appareil en marche pour la première fois, nous vous recommandons de régler la température du réfrigérateur sur 5°C et celle du congélateur sur -18°C. Ultérieurement, pour modifier la température, procédez comme suit.

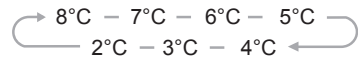


#### ATTENTION !

Le réglage de la température permet de définir une température moyenne pour l'ensemble du réfrigérateur. Les températures à l'intérieur de chaque compartiment peuvent être différentes des valeurs affichées sur le panneau en fonction de la quantité d'aliments conservés et de leur emplacement. La température ambiante risque également d'affecter la température à l'intérieur de l'appareil.

### 6.1 Réfrigérateur

Appuyez sur la touche « Fridge » à plusieurs reprises pour choisir la température à l'intérieur du réfrigérateur (entre 8 °C et 2 °C). La température diminuera de 1 °C à chaque pression et l'indicateur de température du réfrigérateur affichera la valeur correspondante selon la séquence suivante.



### 6.2 Fast Cool



Si vous avez besoin de stocker une grande quantité d'aliments dans votre réfrigérateur, par exemple après avoir fait vos courses, nous vous suggérons d'activer la fonction Fast Cool : elle permet de refroidir rapidement les aliments tout en évitant le réchauffement des denrées déjà rangées dans le compartiment.

- Appuyez sur la touche Fast Cool pour activer cette fonction. L'icône Super Cool s'allume et l'indicateur de température Fridge affiche 2 °C.
- La fonction Super Cool se désactive automatiquement au bout de 6 heures.
- Appuyez sur « Fast Cool » ou « Fridge » pour annuler le mode Super Cool et revenir aux réglages de température précédents.

### 6.3 Congélation

Appuyez sur la touche « Freezer » pour définir la température de congélation de votre choix (entre -14 °C et -24 °C). L'indicateur de température de congélation affiche la valeur correspondante selon la séquence suivante.



### 6.4 Congélation rapide



La fonction Super Freeze permet de baisser rapidement la température de congélation et de congeler votre nourriture bien plus

rapidement que d'habitude.

Appuyez sur la touche « Fast Freeze » pour activer la fonction correspondante. L'icône Super Freeze reste allumée et le paramètre de température de congélation indique -24 °C.

- Lors de la première utilisation ou après une période d'inactivité, faites fonctionner votre appareil pendant au moins 6 heures en mode normal avant d'utiliser le mode Super Freeze. Cette précaution est particulièrement importante si le congélateur contient une grande quantité de nourriture.
- La fonction Super Freeze s'éteint automatiquement au bout de 26 heures d'utilisation et la température de congélation devient inférieure à -20 °C.
- Appuyez sur la touche « Fast Freeze » ou « Freezer » pour annuler le mode Super Freeze et revenir aux réglages de température précédents.

**Remarque :** lors de la sélection de la fonction Super Freeze, veillez à ce que le compartiment de congélation ne contienne aucune boisson en bouteille ou en cannette (et notamment des boissons gazeuses). Les bouteilles et les cannettes risqueraient d'exploser.

### 6.5 Mode Holiday



Cette fonction est conçue pour réduire la consommation d'énergie et le montant des factures d'électricité lorsque le réfrigérateur n'est pas utilisé pendant une période prolongée.

Vous pouvez activer cette fonction en appuyant sur la touche « Holiday » jusqu'à ce que l'icône lumineuse Holiday s'allume.

**Important !** Ne stockez aucun aliment dans le réfrigérateur pendant ce laps de temps.

- Lorsque la fonction Holiday est activée, la température du réfrigérateur passe automatiquement à 15 °C pour réduire la consommation d'énergie. Le réglage de la température du réfrigérateur affiche le signe « - » et le compartiment du congélateur reste activé.
- Appuyez sur la touche « Holiday » pour annuler le mode correspondant et revenir aux réglages de température précédents.

### 6.6 Alarme



En cas d'alarme, l'icône « Alarm » s'allume et un signal sonore retentit.

Appuyez sur la touche « Alarm » pour interrompre

l'alarme ainsi que le signal sonore.

L'icône « Alarm » s'éteint.



#### ATTENTION !

Lorsque vous allumez de nouveau le réfrigérateur après une période d'inactivité, il se peut que l'alarme se déclenche. Dans ce cas, appuyez sur la touche « Alarm » pour la désactiver.

## Alarme porte ouverte

L'activation du voyant d'alarme et l'émission d'un signal sonore indiquent une situation anormale, comme une porte laissée ouverte accidentellement ou une coupure de l'alimentation électrique au niveau de l'unité.

- Si vous laissez l'une des portes du réfrigérateur ou du congélateur ouverte pendant plus de 2 minutes, une alarme ou un signal sonore se déclenche. Le signal sonore retentit 3 fois par minute pendant 10 minutes. Lorsque vous refermez la porte, l'alarme et le signal sonore s'interrompent.
- Pour économiser l'énergie, évitez de laisser les portes ouvertes trop longtemps lorsque vous utilisez le réfrigérateur. Pour interrompre l'alarme, vous pouvez également fermer les portes.

## Alarme de température

Il s'agit d'une fonctionnalité importante qui avertit les utilisateurs de problèmes susceptibles d'endommager les aliments stockés. En cas de panne d'alimentation, comme une coupure d'électricité survenant dans votre quartier lorsque vous n'êtes pas chez vous, l'alarme mémorise la température du congélateur au moment où le courant est rétabli. Il s'agit généralement de la température atteinte par les aliments surgelés.

Lorsque la température devient supérieure à -9 °C, l'alarme se déclenche : un voyant lumineux s'allume et un signal sonore retentit :

- a- l'icône Alarm s'allume ;
- b- l'indicateur de température du congélateur affiche le symbole « H » ;
- c- le signal sonore retentit 10 fois dès le déclenchement de l'alarme et s'arrête automatiquement.

## Sécurité enfants



Pour activer la sécurité enfants, appuyez sur la touche « Alarm » et maintenez-la enfoncée pendant 3 secondes.

L'affichage se coupe, afin d'empêcher toute modification accidentelle des réglages. Entre-temps, l'icône « Child Lock » s'allume.

- Pour désactiver la sécurité enfants, appuyez sur la touche « Alarm » et maintenez-la enfoncée pendant 3 secondes. L'icône « Child Lock » est désactivée.

# 7. UTILISATION DE L'APPAREIL

## 7.1 Distributeur d'eau froide

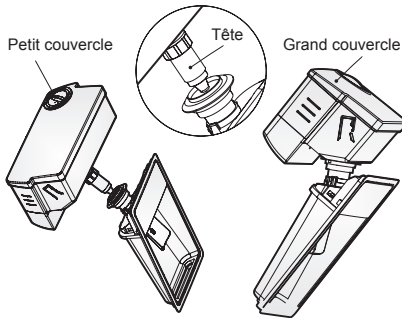
Le distributeur d'eau froide, situé dans la porte gauche du réfrigérateur, permet de stocker de l'eau potable. Cette fonctionnalité propose de l'eau réfrigérée en toute simplicité sans avoir à ouvrir la porte.

- Nettoyage  
Nettoyez le distributeur d'eau avant la toute première utilisation.  
Étape 1 : retirez le distributeur d'eau.  
Étape 2 : lavez-le à l'eau claire.  
Étape 3 : séchez-le.

- Assemblage  
Référez-vous au manuel d'instructions suivant pour réassembler les différentes pièces du distributeur.

1. Maintenez fermement les deux côtés du réservoir d'eau, puis retirez-le de la porte en le soulevant.
2. Dévissez la tête en la tournant dans le sens inverse des aiguilles d'une montre.
3. Insérez de nouveau le distributeur dans la porte et repoussez le réservoir jusqu'à entendre un « clic ».



**ATTENTION !**

Lors de l'insertion du réservoir d'eau, veillez à bien enclencher tout d'abord la tête dans l'orifice.

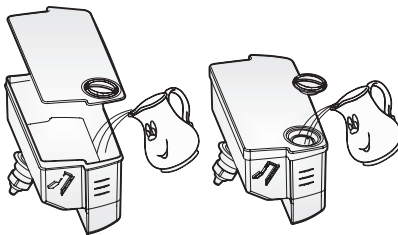
**Remplissage d'eau**

Avant de remplir le réservoir d'eau potable, veillez à ce qu'il soit stable et positionné correctement. Pour empêcher l'eau de déborder et de se renverser, veillez à ce qu'elle ne dépasse pas le niveau maximal indiqué, soit environ 4 litres. Vous pouvez remplir le réservoir d'eau de deux façons :

1. En retirant le petit couvercle et en versant l'eau depuis l'orifice ainsi dégagé.
2. En retirant le grand couvercle du réservoir et en le remplissant directement.

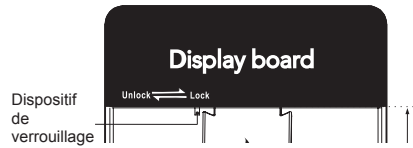
**ATTENTION !**

Ne versez aucun liquide autre que de l'eau à l'intérieur du réservoir.



- Verrouillage

Avant d'utiliser le distributeur d'eau, veillez à ce qu'il soit en position de « déverrouillage ». Le dispositif de verrouillage se trouve sous le panneau d'affichage, comme l'indique l'illustration :

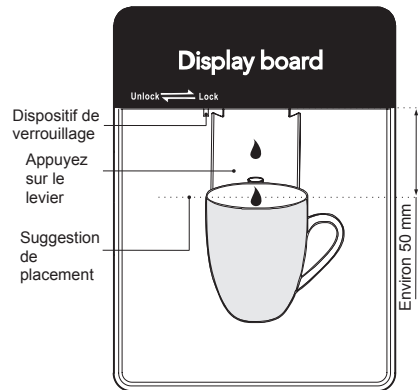
**ATTENTION !**

La fonction de verrouillage permet de verrouiller l'appareil. N'appuyez pas trop fermement sur le levier du distributeur lorsque celui-ci est en position de verrouillage au risque de l'endommager et de le casser.

- Utilisation du distributeur d'eau  
Vous devez utiliser une tasse de taille appropriée lorsque vous vous servez de l'eau au niveau du distributeur.

**ATTENTION !**

N'appuyez pas sur le levier du distributeur sans avoir placé préalablement une tasse en dessous. L'eau risquerait de fuir au niveau du distributeur. Laissez le dispositif d'alimentation d'eau installé en cas de non-utilisation du distributeur pour empêcher toute fuite d'air froid.



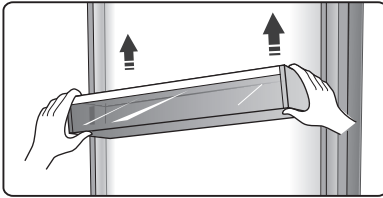
**Remarque :** en cas d'utilisation fréquente du distributeur, il est possible que des gouttes d'eau s'accumulent progressivement dans le bac, qui peut finir par déborder. Séchez le bac à l'aide d'une serviette, si nécessaire.

## 7.2 Balconnets de porte

L'intérieur du réfrigérateur est équipé de balconnets au niveau des portes pour permettre le stockage des cannettes, des bouteilles et des aliments emballés. Ne placez jamais de grandes quantités de nourriture et d'objets lourds à l'intérieur des balconnets de porte.

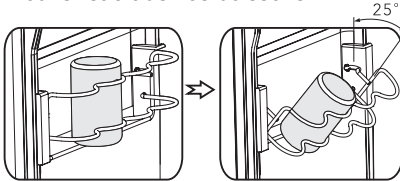
- Le balconnet central peut être fixé à différentes hauteurs en fonction de vos besoins. Veuillez vider le balconnet avant de le soulever pour le retirer. Repositionnez ensuite le balconnet à la hauteur de votre choix.

**Remarque :** un bac à œufs est également fourni. Nous vous recommandons de le placer dans le balconnet supérieur.



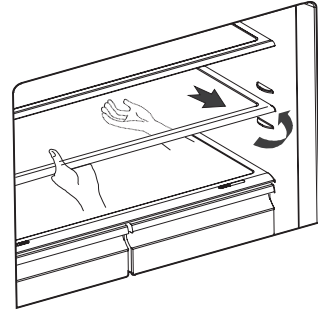
## 7.3 Support pour cannettes

- Ce support permet de stocker jusqu'à 4 cannettes de taille standard. Il ne convient pas aux cannettes dont le diamètre est inférieur à 50 mm. Si nécessaire, vous avez la possibilité de faire pivoter le support de 25° le long de l'étagère afin de faciliter l'insertion ou le retrait de vos boissons.

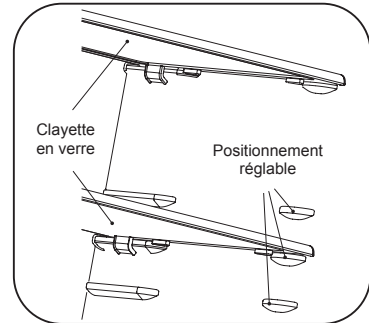


## 7.4 Clayettes en verre

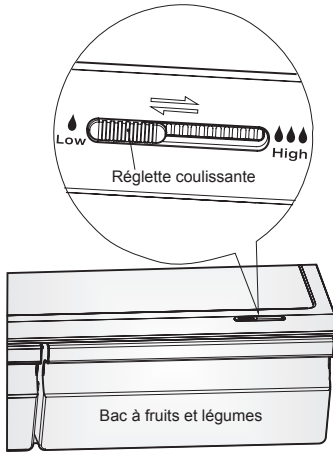
L'intérieur du réfrigérateur comporte deux clayettes en verre. Tandis que l'étagère supérieure est fixe, celle située tout en bas est réglable. Vous pouvez la repositionner à trois niveaux différents. Réglez la hauteur de l'étagère selon vos besoins :



- Lors du retrait des étagères, veillez à les tirer délicatement vers l'avant jusqu'à ce qu'elles sortent des glissières.
- Lorsque vous remplacez les étagères, vérifiez qu'il n'y ait aucun obstacle à l'arrière et repositionnez-les en les repoussant délicatement.



## 7.5 Bac à légumes et contrôle de l'humidité

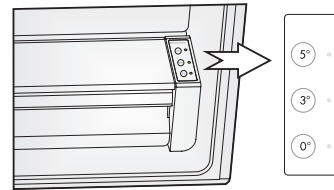


Le bac à légumes, monté sur des glissières télescopiques, permet de stocker les fruits et les légumes. Il est possible de définir le taux d'humidité à l'intérieur du bac à partir de la règle coulissante.

- Le contrôle de l'humidité ajuste le débit d'air dans le bac à légumes. Plus le débit d'air est élevé, plus le taux d'humidité est faible. Faites coulisser la règle vers la droite pour augmenter le taux d'humidité.
- Il est recommandé de conserver les légumes dans un environnement à forte humidité, contrairement aux fruits qu'il est préférable de stocker dans un espace peu humide.
- Suivez ces instructions très simples pour retirer le bac à légumes ou le tiroir du congélateur avant de les nettoyer. Videz le bac à légumes ; ouvrez-le entièrement en le tirant vers l'avant. Soulevez le bac de façon à retirer des glissières latérales. Repoussez complètement les glissières pour éviter d'endommager l'appareil lors de la fermeture de la porte.

## 7.6 ZONE FRAÎCHEUR. Contrôle de précision de la température (en option)

Pour conserver plus longtemps la fraîcheur des aliments, il est conseillé de les stocker à la bonne température. Or, cette température varie en fonction du type d'aliments. Le réfrigérateur est équipé d'un tiroir réfrigéré sur le côté droit. La température du compartiment peut être réglée sur 0 °C, 3 °C et 5 °C en fonction du type d'aliment conservé (viande, fruits, légumes, charcuterie ou fromage) à l'aide des touches « FRESH ZONE ». Veuillez vous reporter au tableau ci-dessous pour prendre connaissance des paramètres recommandés en fonction de vos besoins.



Charcuterie et fromage [5 °C]	Légumes [3 °C]	0 °C [0 °C]
Fromage	Concombre	Steaks
Jambon	Laitue	Poissons
Salami	Oranges	Assortiment de viandes froides et fromages
Olives	Maïs	Volaille

## 7.7 Utilisation du compartiment réfrigérateur

Le compartiment réfrigérateur convient parfaitement au stockage des fruits et des légumes. Il est recommandé de conserver les différents aliments dans des emballages distincts pour éviter toute perte d'humidité ou tout mélange des saveurs entre les différents types de nourriture.

**ATTENTION !**

Ne fermez jamais les portes sans avoir repoussé au préalable les étagères, le bac à légumes et les glissières télescopiques. Vous risqueriez d'endommager l'appareil.

## 7.8 Utilisation du tiroir de congélation

Le tiroir de congélation convient au stockage des aliments à congeler, tels que la viande, les glaces, etc.

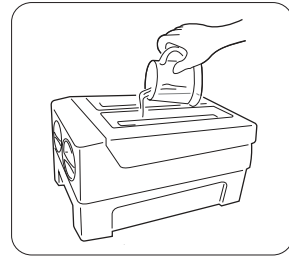
Pour retirer le tiroir de congélation, ramenez-le vers vous, basculez le plateau vers le haut et soulevez-le pour l'enlever, puis ouvrez les portes du réfrigérateur au maximum. Vous pouvez alors sortir le tiroir inférieur du congélateur, comme le montrent les illustrations suivantes.

**ATTENTION !**

Ne laissez jamais les bébés ou les enfants pénétrer à l'intérieur du réfrigérateur, car ils risqueraient de se blesser ou d'endommager l'appareil. Ne vous asseyez jamais sur la porte du congélateur. Elle risquerait de se casser. Veillez à ce que les enfants ne pénètrent pas dans le tiroir de congélation. Si vous retirez le séparateur pour nettoyer le panier, vous devez le replacer après le nettoyage afin d'empêcher les enfants de se retrouver coincés à l'intérieur.

## 7.9 Bac à glaçons flexible

- L'appareil est équipé d'un bac à glaçons flexible, placé dans le tiroir supérieur du congélateur et permettant de fabriquer et de conserver des glaçons.
  1. Remplissez-le d'eau potable en veillant à ne pas dépasser le niveau maximal indiqué.
  2. Remplacez le bac à glaçons rempli sur son support.
  3. Attendez environ 3 heures, tournez les boutons dans le sens des aiguilles d'une montre pour faire tomber les glaçons dans le bac placé au-dessous.



4. Il est possible de conserver des glaçons dans le bac, que vous pouvez retirer du réfrigérateur lorsque que vous en avez besoin.

**Remarque :** lors de la toute première utilisation du bac à glaçons ou en cas de non-utilisation prolongée, pensez à le nettoyer.

## 8. CONSEILS UTILES

### 8.1 Conseils pour réduire votre consommation d'énergie

Nous vous recommandons de suivre les conseils ci-dessous pour réduire votre consommation d'énergie.

- Évitez de laisser trop longtemps la porte de l'appareil ouverte, de façon à conserver le froid à l'intérieur du réfrigérateur.
- Veillez à éloigner l'appareil de toute source de chaleur (lumière directe du soleil, four électrique ou cuisinière, etc.).
- Évitez de sélectionner une température plus basse que nécessaire.
- N'introduisez pas d'aliments encore chauds ou de liquides en évaporation dans l'appareil.
- Placez l'appareil dans une pièce bien ventilée, sans humidité. Consultez le chapitre « Installation de votre nouvel appareil ».
- La vue 1 figurant à la section « Description de l'appareil » présente la disposition appropriée des tiroirs, du bac à légumes et des clayettes. Conservez cette même configuration dans la mesure où elle a été conçue pour optimiser la consommation d'énergie.

#### Conseils pour la réfrigération des aliments frais

- Ne placez pas d'aliments encore chauds directement dans le réfrigérateur ou le congélateur. La température interne risque en effet de monter, ce qui obligera le compresseur à fonctionner davantage et augmentera votre consommation d'énergie.
- Couvrez ou enveloppez les aliments, surtout en cas d'odeur prononcée.
- Placez les aliments de façon appropriée afin que l'air puisse circuler librement autour.

#### Conseils pour la réfrigération

- Viande (tous types) : enveloppez-la dans du film plastique et placez-la sur la clayette en verre au-dessus du bac à légumes. Respectez toujours la durée de conservation des aliments et les dates de péremption proposées

par les fabricants.

- Aliments cuits, plats froids, etc. : vous pouvez les placer sur l'étagère de votre choix, mais pensez à les couvrir.
- Fruits et légumes : il est recommandé de les placer dans le bac prévu à cet effet.
- Beurre et fromage : il est recommandé de les envelopper dans du papier aluminium ou un film plastique hermétique.

Bouteilles de lait :

il est recommandé de les boucher et de les placer dans les balconnets situés au niveau des portes.

### 8.2 Conseils pour la congélation

- Lors de la toute première mise en service ou après un arrêt prolongé, laissez l'appareil fonctionner à plein régime pendant au moins 2 heures environ avant d'y introduire des produits.
- Préparez de petites portions de nourriture pour garantir une congélation rapide et uniforme et permettre de ne décongeler ultérieurement que la quantité nécessaire.
- Enveloppez les aliments dans du papier aluminium ou du film plastique hermétique.
- Veillez à ce que les aliments frais non congelés ne soient pas en contact avec les aliments déjà congelés pour éviter que la température de ces derniers n'augmente.
- Les produits congelés consommés dès leur sortie du compartiment congélateur risquent de brûler la peau.
- Il est recommandé d'étiqueter et de dater chaque paquet congelé afin de pouvoir contrôler sa durée de conservation.

#### Conseils pour le stockage des aliments surgelés

- Vérifiez que les produits congelés ont été stockés correctement dans le magasin d'alimentation où vous les avez achetés.

- Une fois décongelés, les aliments se détériorent rapidement et ne devraient jamais être recongelés. Ne dépassez pas la durée de conservation indiquée par le fabricant.

### 8.3 Mise à l'arrêt de l'appareil

Si vous devez éteindre votre appareil pendant une période prolongée, suivez les étapes ci-dessous pour éviter toute formation de moisissure à l'intérieur.

1. Retirez tous les aliments.
2. Débranchez la fiche de la prise électrique.
3. Nettoyez et séchez minutieusement l'intérieur.
4. Veillez à ce que les portes restent légèrement entrouvertes pour permettre la circulation de l'air.

## 9. NETTOYAGE ET ENTRETIEN

Pour des raisons d'hygiène, l'appareil (ainsi que ses accessoires intérieurs et extérieurs) doivent être nettoyés régulièrement au moins tous les deux mois.



#### ATTENTION !

L'appareil ne doit pas être branché sur le secteur pendant son nettoyage. Risque d'électrocution ! Avant toute opération de nettoyage, éteignez l'appareil et débranchez-le.

pour le nettoyage. Ils risquent d'endommager la surface de l'appareil et de provoquer un incendie.

### 9.2 Nettoyage intérieur

- Il est recommandé de nettoyer régulièrement l'intérieur de votre appareil. Il est plus facile de le nettoyer lorsqu'il n'est pas trop rempli. Essayez l'intérieur du réfrigérateur-congélateur à l'aide d'une solution à faible concentration de bicarbonate de soude, puis rincez avec de l'eau chaude en utilisant une éponge essorée ou un chiffon. Essayez l'intérieur de façon à ce qu'il soit complètement sec avant de replacer les clayettes et les paniers. Rincez à l'eau javellisée et séchez soigneusement toutes les surfaces et les accessoires.
- Bien que cet appareil soit équipé d'une fonctionnalité de dégivrage automatique, il est possible qu'une couche de givre se forme sur les parois intérieures du compartiment de congélation si la porte du congélateur est ouverte fréquemment ou reste ouverte trop longtemps. Si la couche de givre est trop épaisse, choisissez un moment où le congélateur ne contient pas trop de produits et procédez de la façon suivante :

### 9.1 Nettoyage extérieur

Pour prendre soin de l'aspect extérieur de votre appareil, vous devez le nettoyer régulièrement.

- Essayez le panneau d'affichage numérique avec un chiffon propre et doux.
- Pulvérisez l'eau sur votre chiffon plutôt que directement sur la surface de l'appareil. Cela vous permet de répartir de façon uniforme l'humidité sur la surface à nettoyer.
- Nettoyez les portes, les poignées et les surfaces avec un détergent non agressif, puis séchez-les à l'aide d'un chiffon doux.



#### ATTENTION !

- N'utilisez pas d'objets pointus qui risqueraient de rayer la surface.
- N'utilisez pas de diluant, de détergent automobile, de produit Clorox, d'huile essentielle, de nettoyant abrasif ou de solvant organique, tel que le benzène,

1. Retirez les aliments et les accessoires, débranchez l'appareil de la prise secteur et laissez les portes ouvertes. Aérez convenablement la pièce pour accélérer le processus de décongélation.
2. Lorsque le dégivrage est terminé, nettoyez votre congélateur en suivant les instructions ci-dessus.

**ATTENTION !**

N'utilisez pas d'objet pointu pour retirer la couche de givre du compartiment de congélation. Il est recommandé de rebrancher l'appareil et de le remettre en service qu'une fois l'intérieur complètement sec.

### 9.3 Nettoyage des joints d'étanchéité des portes

Gardez les joints de porte propres. En cas de stockage de boissons ou d'aliments collants, les joints risquent d'adhérer à l'appareil et de se déchirer lors de l'ouverture de la porte. Nettoyez les joints à l'aide d'un détergent doux et d'eau chaude. Rincez abondamment et séchez entièrement après le nettoyage.

**ATTENTION !**

Il est recommandé de ne remettre l'appareil sous tension qu'une fois les joints de porte entièrement secs.

**ATTENTION !**

Le voyant LED ne doit pas être remplacé par l'utilisateur ! Si le voyant est endommagé, contactez le service clientèle pour obtenir de l'aide.

## 10. RÉOLUTION DES PROBLÈMES EN CAS D'ANOMALIE DE FONCTIONNEMENT

Si vous rencontrez un problème avec votre appareil ou que celui-ci ne fonctionne pas correctement, vous pouvez effectuer quelques vérifications très simples avant de contacter le service technique. Dans ce cas, consultez les informations ci-dessous. Vous pouvez effectuer certaines vérifications très simples avant d'appeler le service technique en suivant les informations de cette section.

**ATTENTION !**

N'essayez pas de réparer l'appareil vous-même. Effectuez tout d'abord les vérifications mentionnées ci-dessous, puis, si le problème persiste, contactez un électricien qualifié, un technicien de maintenance agréé ou le magasin dans lequel vous avez acheté le produit.

Symptôme	Cause probable et solution
Fonctionnement inapproprié de l'appareil	Vérifiez que le cordon d'alimentation est correctement branché sur la prise de courant.
	Vérifiez l'état du fusible ou du circuit de votre alimentation et remplacez-le si nécessaire.
	Il est tout à fait normal que le congélateur ne fonctionne pas pendant le cycle de dégivrage automatique de l'appareil ou pendant un court instant après la mise en marche de l'appareil afin de ne pas endommager le compresseur.
Odeurs dans les compartiments	Il est possible que l'intérieur du réfrigérateur ait besoin d'être nettoyé.
	Certains aliments, récipients ou emballages peuvent dégager des odeurs.

<p>Bruit émis par l'appareil</p>	<p>Les bruits suivants sont tout à fait normaux :</p> <p>Bruits de fonctionnement du compresseur</p> <ul style="list-style-type: none"> <li>• Bruit de circulation de l'air émis par le petit moteur du ventilateur, situé dans le compartiment de congélation ou dans d'autres compartiments</li> <li>• Bruit de frémissement similaire à de l'eau portée à ébullition</li> <li>• Bruit sec émis lors du dégivrage automatique</li> <li>• Bruit de cliquetis avant le démarrage du compresseur</li> </ul> <hr/> <p>D'autres bruits inhabituels sont générés par les situations indiquées ci-dessous. Il peut être nécessaire de les vérifier et de prendre les mesures appropriées :</p> <p>L'appareil n'est pas correctement de niveau. L'arrière de l'appareil est en contact direct avec le mur. Des bouteilles ou des récipients chutent ou roulent.</p>
<p>Fonctionnement en permanence du moteur</p>	<p>Il est normal que vous entendiez souvent le bruit du moteur, qui a besoin de fonctionner davantage dans les situations suivantes :</p> <ul style="list-style-type: none"> <li>• La température a été réglée à un niveau plus bas que nécessaire.</li> <li>• De grandes quantités de nourriture encore chaude ont été placées récemment dans l'appareil.</li> <li>• La température à l'extérieur de l'appareil est trop élevée.</li> <li>• Les portes restent longtemps ouvertes.</li> <li>• L'appareil vient d'être installé ou a été éteint pendant une période prolongée.</li> </ul>
<p>Formation d'une couche de givre dans le compartiment</p>	<p>Vérifiez que les sorties d'air ne sont pas obstruées par la nourriture et veillez à ce que cette dernière soit placée au centre de l'appareil pour permettre une bonne ventilation. Vérifiez que la porte est bien fermée. Avant de retirer le givre, reportez-vous à la section « Nettoyage et entretien ».</p>
<p>Température intérieure trop élevée</p>	<p>Il se peut que vous ayez laissé les portes ouvertes trop longtemps, que vous les ayez ouvertes trop souvent, que leur fermeture ait été bloquée par un obstacle ou qu'aucun espace suffisant n'ait été prévu sur les côtés, à l'arrière et au-dessus de l'appareil.</p>
<p>Température intérieure trop basse</p>	<p>Augmentez la température en suivant les instructions fournies au chapitre « Commandes d'affichage ».</p>
<p>Impossible de fermer les portes facilement</p>	<p>Veillez à ce que la partie supérieure du réfrigérateur soit inclinée de 10 à 15 mm vers l'arrière pour permettre aux portes de se fermer automatiquement ou vérifiez qu'aucun élément à l'intérieur ne gêne la fermeture des portes.</p>





Écoulement d'eau sur le sol	Il est possible que le réservoir d'eau (situé à l'arrière du réfrigérateur) ne soit pas de niveau, que la buse d'éjection (située sous la partie supérieure du compresseur) ne soit pas positionnée correctement et empêche l'eau de s'écouler dans le réservoir ou encore que la buse d'éjection soit bloquée. Il peut être nécessaire d'éloigner le réfrigérateur du mur pour vérifier l'état du réservoir et de la buse.
L'éclairage ne fonctionne pas	Le voyant LED est peut-être endommagé. Reportez-vous à la section relative au remplacement des voyants LED dans le chapitre « Nettoyage et entretien ». Le système de commande a désactivé les voyants car la porte est restée ouverte trop longtemps. Fermez la porte, puis ouvrez-la de nouveau pour réactiver les voyants.
Ouverture difficile des portes	Vérifiez le joint d'étanchéité des portes. Si nécessaire, nettoyez le joint en caoutchouc situé tout autour de la porte avec du liquide vaisselle et de l'eau chaude. En cas d'accumulation de poussière et de saleté à cet endroit, la porte risque de coller au cadre du réfrigérateur.

## 11. MISE AU REBUT DE L'APPAREIL

Le réfrigérateur a été conçu à partir de matériaux recyclables. Il doit être mis au rebut conformément aux réglementations locales en vigueur en matière de gestion des déchets. L'appareil contient une petite quantité de liquide réfrigérant (R600a) dans le circuit de refroidissement. Pour votre sécurité, veuillez vous reporter à la section « Liquide réfrigérant et risque d'incendie » dans ce manuel d'instructions avant de mettre l'appareil

au rebut. Veuillez sectionner le cordon d'alimentation de façon à rendre impossible toute utilisation du réfrigérateur, puis retirez le joint d'étanchéité des portes ainsi que le système de verrouillage. Faites attention au circuit de refroidissement et veillez à ne pas l'endommager en évitant de percer le réservoir contenant le liquide réfrigérant, de plier les tuyaux et/ou de rayer le revêtement de surface.

### Élimination correcte de ce produit



Ce symbole apposé sur l'appareil ou l'emballage indique que le produit ne doit pas être traité comme un déchet ménager. Il doit être remis à un point de collecte approprié prenant en charge le recyclage du matériel électrique et électronique. En procédant correctement à la mise au rebut de cet appareil et en gérant de façon appropriée son recyclage, vous contribuez à la préservation de l'environnement et de notre santé. Pour obtenir plus de détails sur le recyclage de ce produit, veuillez prendre contact avec les services de votre commune, votre service de ramassage des ordures ménagères ou le magasin où vous avez effectué votre achat.

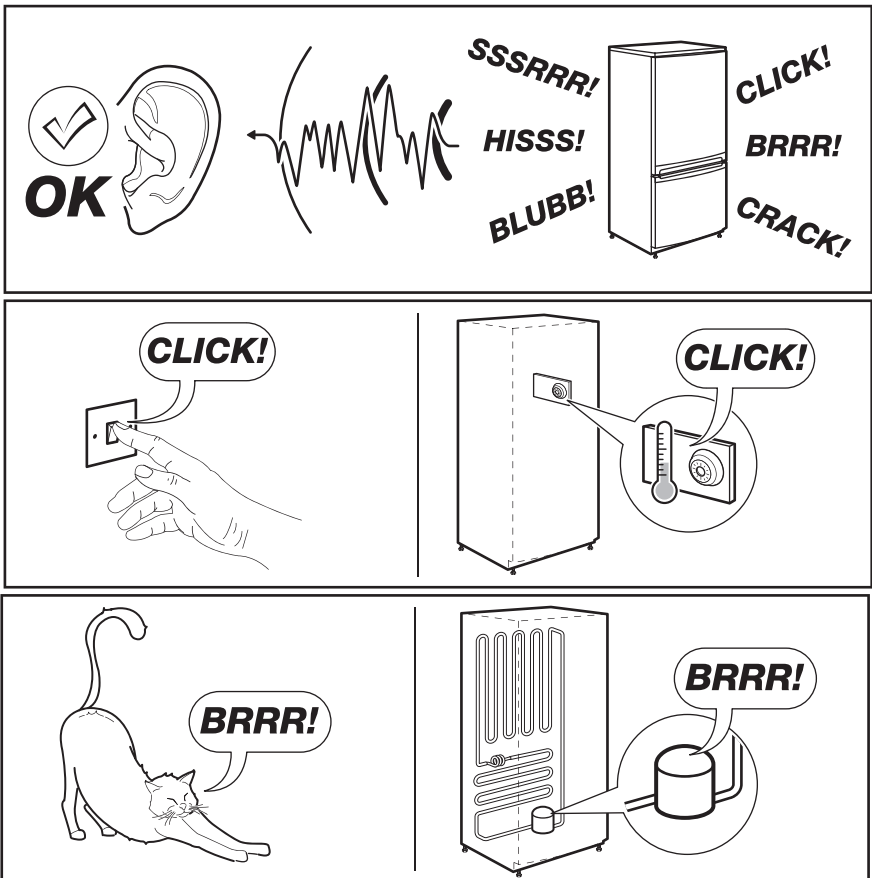
## 12. DONNÉES TECHNIQUES

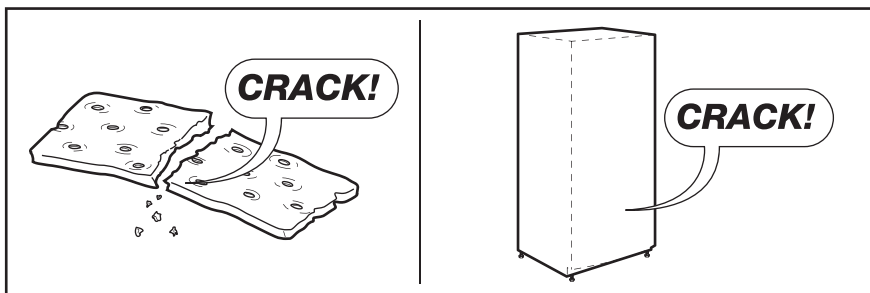
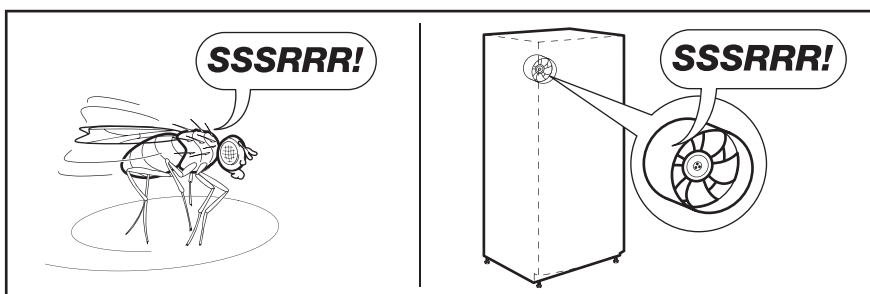
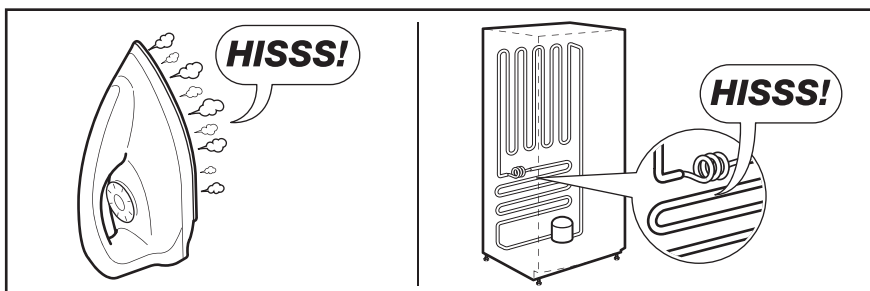
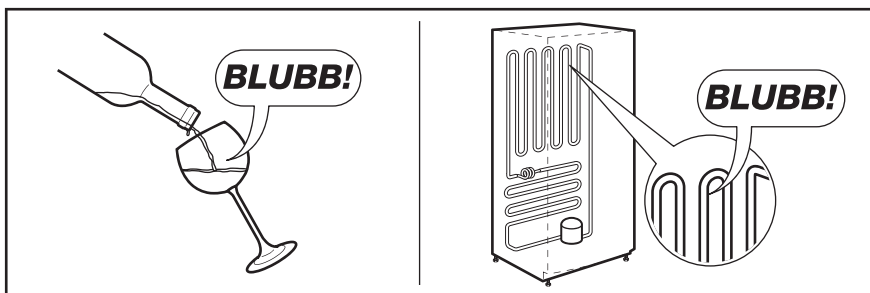
Dimension	
Hauteur	1 766 mm
Largeur	912 mm
Profondeur	765 mm
Temps de montée en température	12 h
Tension	220-240 V
Fréquence	50 Hz

Les caractéristiques techniques figurent sur la plaque signalétique située sur le côté gauche à l'intérieur de l'appareil et sur l'étiquette énergétique.

## 13. BRUITS

L'appareil émet certains bruits pendant son fonctionnement (compresseur, circuit frigorifique).







## SOMMARIO

1. INFORMAZIONI DI SICUREZZA .....	69
2. ISTRUZIONI PER LA SICUREZZA .....	70
3. CONSIDERAZIONI AMBIENTALI .....	72
4. DESCRIZIONE DELL'APPARECCHIATURA .....	72
5. INSTALLAZIONE DELL'APPARECCHIATURA .....	74
6. COMANDI DEL DISPLAY .....	76
7. UTILIZZO DELL'APPARECCHIATURA .....	78
8. CONSIGLI E SUGGERIMENTI UTILI .....	82
9. PULIZIA E CURA .....	83
10. RISOLUZIONE DEI PROBLEMI .....	84
11. SMALTIMENTO DELL'APPARECCHIATURA .....	86
12. DATI TECNICI .....	87
13. RUMORI .....	87

## PER RISULTATI PERFETTI

Grazie per aver scelto di acquistare questo prodotto Electrolux. Lo abbiamo creato per fornirvi prestazioni impeccabili per molti anni, grazie a tecnologie innovative che vi semplificheranno la vita con funzioni che non troverete sulle normali apparecchiature. Vi invitiamo a dedicare qualche minuto alla lettura per sapere come ottenere il massimo da questo prodotto.

### Visitate il nostro sito Web per:



Ricevere consigli, scaricare i nostri opuscoli, eliminare eventuali anomalie, ottenere informazioni sull'assistenza:  
**[www.electrolux.com](http://www.electrolux.com)**



Registrare il vostro prodotto e ricevere un servizio migliore:  
**[www.electrolux.com/productregistration](http://www.electrolux.com/productregistration)**



Acquistare accessori, materiali di consumo e ricambi originali per la vostra apparecchiatura:  
**[www.electrolux.com/shop](http://www.electrolux.com/shop)**

## SERVIZIO CLIENTI E ASSISTENZA

Utilizzare sempre ricambi originali.

Quando si contatta il Centro di assistenza autorizzato, accertarsi di disporre dei seguenti dati: modello, PNC, numero di serie.

Le informazioni si trovano sulla targhetta matricola.



Avvertenza / Attenzione - Informazioni di sicurezza.



Informazioni e consigli generali.



Informazioni sull'ambiente.

Con riserva di modifiche senza obbligo di preavviso.



## 1. INFORMAZIONI DI SICUREZZA

Leggere attentamente le istruzioni fornite prima di installare e utilizzare l'apparecchiatura. Il produttore non è responsabile di lesioni e danni derivanti da un'installazione e un uso non corretti dell'apparecchiatura. Tenere sempre le istruzioni a portata di mano come riferimento futuro.

### 1.1 Sicurezza dei bambini e delle persone vulnerabili

- Questa apparecchiatura può essere usata da bambini a partire dagli 8 anni di età e da adulti con ridotte capacità fisiche, sensoriali o mentali o con scarsa esperienza o conoscenza sull'uso dell'apparecchiatura, solo se sorvegliati o istruiti relativamente all'uso dell'apparecchiatura e se hanno capito i rischi associati.
- Non consentire ai bambini di giocare con l'apparecchiatura.
- La pulizia e gli interventi di manutenzione non devono essere eseguiti da bambini senza supervisione.
- Tenere i materiali di imballaggio fuori dalla portata dei bambini.

### 1.2 Avvertenze di sicurezza generali

- L'apparecchiatura è destinata all'uso domestico e usi simili, ad esempio:
  - fattorie, cucine di negozi, uffici e altri ambienti di lavoro
  - da clienti di hotel, motel, bed and breakfast e altri ambienti residenziali
- Verificare che le aperture di ventilazione, sia sull'apparecchiatura che nella struttura da incasso, non siano ostruite.
- Non usare dispositivi meccanici o altri mezzi artificiali non raccomandati dal produttore allo scopo di accelerare il processo di sbrinamento.
- Non danneggiare il circuito refrigerante.
- Non utilizzare apparecchiature elettriche all'interno dei compartimenti di conservazione degli alimenti, ad eccezione di quelli consigliati dal costruttore.
- Non nebulizzare acqua né utilizzare vapore per pulire l'apparecchiatura.

- Pulire l'apparecchiatura con un panno inumidito e morbido. Utilizzare solo detergenti neutri. Non usare prodotti abrasivi, spugnette abrasive, solventi od oggetti metallici.
- Non conservare in questa apparecchiatura sostanze esplosive come bombolette spray contenenti un propellente infiammabile.
- Se il cavo di alimentazione è danneggiato, deve essere sostituito dal produttore, da un tecnico autorizzato o da una persona qualificata per evitare situazioni di pericolo.
- Se l'apparecchiatura è dotata di un fabbricatore di ghiaccio o un dispenser dell'acqua, riempirlo esclusivamente con acqua potabile.
- Se l'apparecchiatura richiede un collegamento alla rete idrica, collegarla solo a una sorgente d'acqua potabile.
- La pressione dell'acqua in ingresso (minima e massima) deve essere compresa tra 1 bar (0,1 MPa) e 10 bar (1 MPa).

## 2. ISTRUZIONI PER LA SICUREZZA

### 2.1 Installazione



#### **AVVERTENZA!**

L'installazione dell'apparecchiatura deve essere eseguita da personale qualificato.

- Rimuovere tutti i materiali di imballaggio.
- Non installare né utilizzare l'apparecchiatura se danneggiata.
- Attenersi alle istruzioni fornite insieme all'apparecchiatura.
- Considerato il peso dell'apparecchiatura, prestare sempre attenzione in fase di spostamento della stessa. Indossare sempre guanti di sicurezza.
- Assicurarsi che l'aria possa circolare liberamente attorno all'apparecchiatura.
- Attendere almeno 4 ore prima di collegare l'apparecchiatura all'alimentazione. Questo serve a consentire all'olio di fluire nuovamente nel compressore.
- Non installare l'apparecchiatura in prossimità di radiatori, fornelli, forni o piani cottura.

- La superficie posteriore dell'apparecchiatura deve essere appoggiata alla parete.
- Non installare l'apparecchiatura dove sia esposta alla luce solare diretta.
- Non installare questa apparecchiatura in luoghi troppo umidi o freddi, come aggiunte strutturali, garage o cantine.
- Quando si sposta l'apparecchiatura, sollevarla per il bordo anteriore per evitare di graffiare il pavimento.

### 2.2 Collegamento elettrico



#### **AVVERTENZA!**

Rischio di incendio e scosse elettriche.

- L'apparecchiatura deve essere soggetta a una messa a terra.
- Verificare che i dati elettrici riportati sulla targhetta matricola corrispondano a quelli dell'impianto. In caso contrario, contattare un elettricista.
- Utilizzare sempre una presa elettrica con contatto di protezione correttamente installata.
- Non utilizzare prese multiple e prolunghie.



- Accertarsi di non danneggiare i componenti elettrici (ad es. la spina di alimentazione, il cavo di alimentazione, il compressore). Contattare il Centro di assistenza o un elettricista per sostituire i componenti elettrici.
- Il cavo di alimentazione deve rimanere sotto il livello della spina di alimentazione.  
Inserire la spina di alimentazione nella presa solo al termine dell'installazione. Verificare che la spina di alimentazione rimanga accessibile dopo l'installazione.  
Non tirare il cavo di alimentazione per scollegare l'apparecchiatura. Tirare sempre dalla spina.

## 2.3 Uso dell'apparecchiatura



### AVVERTENZA!

Rischio di lesioni, scottature o scosse elettriche.

- Non apportare modifiche alle specifiche di questa apparecchiatura.
- Non introdurre apparecchiature elettriche (ad es. gelatiere) nell'apparecchiatura se non specificamente consentito dal produttore.
- Fare attenzione a non danneggiare il circuito refrigerante. Esso contiene isobutano (R600a), un gas naturale con un alto livello di compatibilità ambientale; tuttavia il gas è infiammabile.
- Nel caso di danno al circuito refrigerante, assicurarsi che non si sviluppino fiamme libere e scintille nel locale. Aerare bene l'ambiente.
- Non appoggiare oggetti incandescenti sulle parti in plastica dell'apparecchiatura.
- Non introdurre bevande analcoliche nel vano congelatore, in quanto si verrebbe a creare una pressione nel contenitore della bevanda.
- Non conservare gas e liquidi infiammabili nell'apparecchiatura.
- Non appoggiare o tenere liquidi o materiali infiammabili, né oggetti facilmente incendiabili sull'apparecchiatura, al suo interno o nelle immediate vicinanze.
- Non toccare il compressore o il condensatore. Sono incandescenti.
- Non togliere o toccare gli oggetti nel vano congelatore con le mani bagnate o umide.

- Non ricongelare del cibo precedentemente scongelato.
- Attenersi alle istruzioni per la conservazione riportate sulla confezione del cibo surgelato.

## 2.4 Luce interna

- Il tipo di lampadina utilizzato per questa apparecchiatura non può essere utilizzato per l'illuminazione domestica.

## 2.5 Pulizia e cura



### AVVERTENZA!

Vi è il rischio di ferirsi o danneggiare l'apparecchiatura.

- Prima di eseguire qualunque intervento di manutenzione, spegnere l'apparecchiatura ed estrarre la spina dalla presa.
- L'unità refrigerante di questa apparecchiatura contiene idrocarburi. L'unità deve essere ricaricata ed ispezionata esclusivamente da personale qualificato.
- Controllare regolarmente lo scarico dell'apparecchiatura e, se necessario, pulirlo. L'ostruzione dello scarico può causare un deposito di acqua di sbrinamento sul fondo dell'apparecchiatura.

## 2.6 Smaltimento




### AVVERTENZA!


Rischio di lesioni o soffocamento.

- Staccare la spina dall'alimentazione elettrica.
- Tagliare il cavo di rete e smaltirlo.
- Rimuovere la porta per evitare che bambini e animali domestici rimangano chiusi all'interno dell'apparecchiatura.
- Il circuito refrigerante e i materiali di isolamento di questa apparecchiatura rispettano l'ozono.
- La schiuma isolante contiene gas infiammabili. Contattare le autorità locali per ricevere informazioni su come smaltire correttamente l'apparecchiatura.
- Non danneggiare i componenti dell'unità refrigerante che si trovano vicino allo scambiatore di calore.

### 3. CONSIDERAZIONI AMBIENTALI

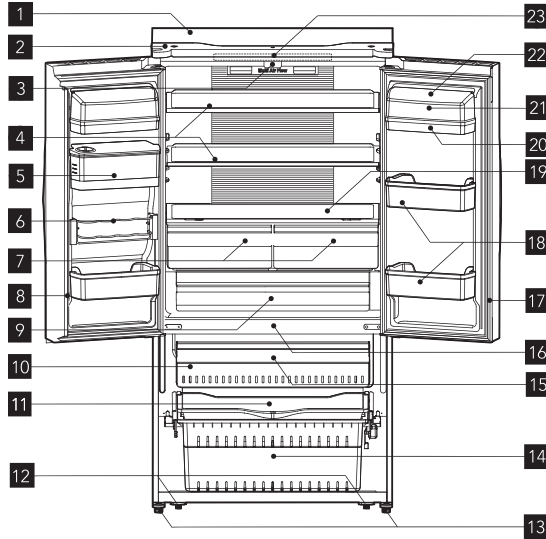
Riciclare i materiali con il simbolo . Buttare l'imballaggio negli appositi contenitori per il riciclaggio. Contribuire a proteggere l'ambiente e la salute umana e a riciclare rifiuti derivanti da apparecchiature elettriche ed

elettroniche.

Non smaltire le apparecchiature che riportano il simbolo  con i normali rifiuti domestici. Portare il prodotto al punto di riciclaggio più vicino o contattare il comune di residenza.

## 4. DESCRIZIONE DELL'APPARECCHIATURA

### 4.1 Panoramica 1 dell'apparecchiatura

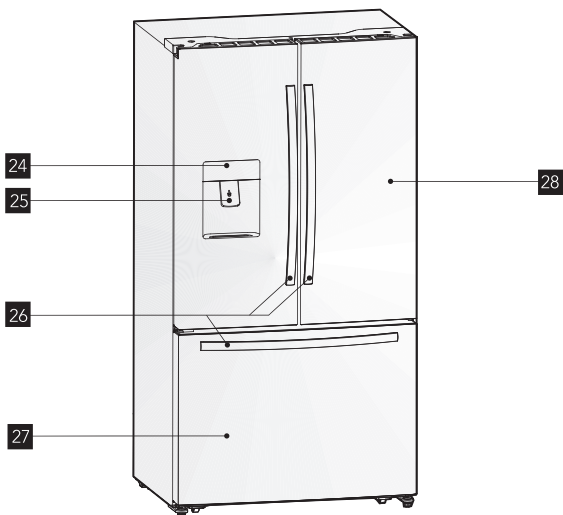


- |  |   |
|--|---|
| <b>1</b> Unità                                   | <b>13</b> Piedini inferiori regolabili            |
| <b>2</b> Coperchio superiore                     | <b>14</b> Cassetto inferiore del congelatore      |
| <b>3</b> Blocco guida deflettore verticale       | <b>15</b> Cassetto superiore del congelatore      |
| <b>4</b> Ripiano in vetro                        | <b>16</b> Luce a LED congelatore (interna)        |
| <b>5</b> Contenitore dell'acqua                  | <b>17</b> Guarnizione della porta del frigorifero |
| <b>6</b> Portalattine inclinabile Cassetto per   | <b>18</b> Balconcino inferiore                    |
| <b>7</b> frutta e verdura                        | <b>19</b> Copricassetto verdura                   |
| <b>8</b> Deflettore verticale                    | <b>20</b> Balconcino superiore                    |
| <b>9</b> Zona fresco                             | <b>21</b> Portauova (interno)                     |
| <b>10</b> Vaschetta del ghiaccio Twist (interna) | <b>22</b> Coperchio per balconcino                |
| <b>11</b> Vassoio                                | <b>23</b> Luce a LED frigorifero (interna)        |
| <b>12</b> Rulli                                  |   |





## 4.2 Panoramica 2 dell'apparecchiatura



**24** Pannello display

**25** Dispenser acqua fredda

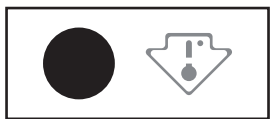
**26** Maniglie

**27** Porta del congelatore

**28** Porta del frigorifero

**Nota:** Date le continue modifiche apportate ai nostri prodotti, il frigorifero acquistato potrebbe essere leggermente diverso da quello raffigurato nell'illustrazione sopra riportata; tuttavia le funzioni e i metodi di utilizzo restano identici.

**Nota:** Per ottenere la migliore efficienza energetica del prodotto in questione, posizionare tutti i ripiani, i cassetti e i cestelli nella loro posizione originale, come indicato nell'illustrazione di cui sopra.



Questa apparecchiatura viene venduta in Francia. Per rispettare la normativa vigente in questo paese, essa deve essere dotata di un particolare dispositivo, posto nella parte bassa del frigorifero (vedi figura) per segnalare la zona più fredda del vano.

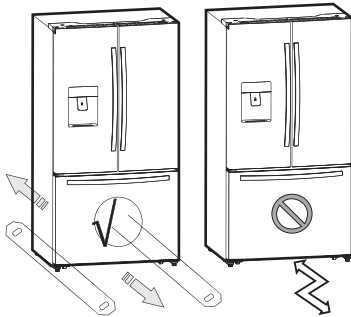
## 5. INSTALLAZIONE DELL'APPARECCHIATURA

In questa sezione viene illustrata l'installazione della nuova apparecchiatura prima del primo utilizzo. Consigliamo di leggere i suggerimenti

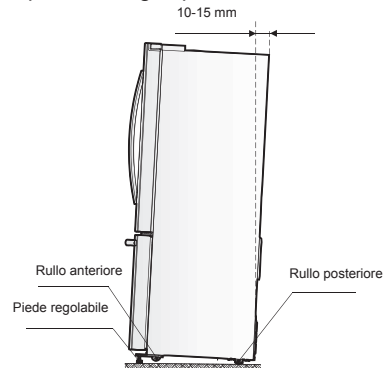


### AVVERTENZA!

Per una corretta installazione, questo frigorifero deve essere collocato su una superficie piana e solida allo stesso livello del resto della pavimentazione. Tale superficie deve essere sufficientemente resistente per supportare un frigorifero a pieno carico, o circa 120 kg (266 libbre). Durante gli spostamenti, assicurarsi di tirare e spingere l'unità in rettilineo. seguenti.



1. Posizionare il frigorifero nel punto di installazione.
2. Ruotare i piedini regolabili (con le dita o con una chiave idonea) fino a toccare il pavimento.
3. Inclinare all'indietro la parte alta del frigorifero di circa 10 - 15 mm ruotando ulteriormente i piedini di 1 - 2 giri. Ciò consentirà alle porte di chiudersi in modo automatico ed ermetico.
4. Prima di spostare l'apparecchiatura, ricordarsi di ruotare nuovamente i piedini per consentire al frigorifero di scorrere liberamente. Eseguire la reinstallazione dell'apparecchiatura qualora venga spostata.



### AVVERTENZA!

I rulli, che non sono rotelle, vanno utilizzati solo per il movimento in avanti o indietro. Lo spostamento laterale del frigorifero può danneggiare il pavimento e i rulli.

Classe	Simbolo	Intervallo di temperatura ambiente (°C)
Temperato esteso	SN	da +10 a +32
Temperato	N	da +16 a +32
Subtropicale	ST	da +16 a +38
Tropicale	T	da +16 a +43

### 5.1 Livellamento dell'apparecchiatura

Per un corretto livellamento dell'apparecchiatura e per evitarne le vibrazioni, sulla parte anteriore dell'apparecchiatura sono previsti dei piedini regolabili. Eseguire il livellamento seguendo le istruzioni riportate di seguito:

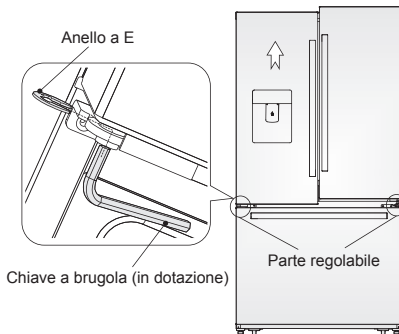
### 5.2 Regolazione della maniglia della porta

Prima di utilizzare l'apparecchiatura, controllare le maniglie del frigorifero. Qualora le maniglie fossero allentate, eseguirne la regolazione utilizzando una chiave a brugola in senso orario fino a portarle saldamente in posizione. Ogni maniglia è dotata di 2 viti.



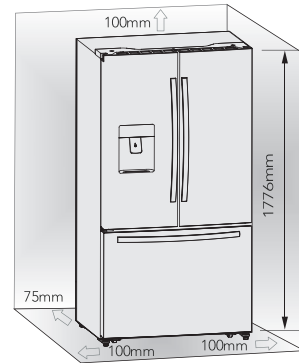
### 5.3 Regolazione delle porte

- Sia la porta di destra sia quella di sinistra sono dotate di assi regolabili posizionati nelle cerniere inferiori.
- Prima di regolare le porte, assicurarsi che il frigorifero sia bene livellato. Si prega di consultare la sezione precedente relativa al "Livellamento dell'apparecchiatura". Qualora la parte superiore delle porte risultasse irregolare, inserire la chiave a brugola nell'asse della cerniera e ruotare in senso orario per sollevare la porta oppure in senso antiorario per abbassare la porta, quindi inserire un anello a E nel gioco.

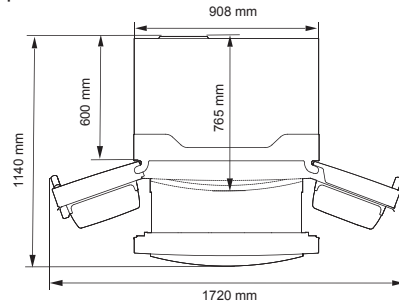


### 5.4 Ventilazione dell'apparecchiatura

Per migliorare l'efficienza del sistema di raffreddamento e per risparmiare energia, occorre mantenere la corretta ventilazione dell'apparecchiatura al fine di consentire la dissipazione del calore. Per questo motivo, intorno al frigorifero va previsto uno spazio libero sufficiente privo di ostacoli che potrebbero compromettere la circolazione dell'aria.



**Suggerimento:** per garantire il buon funzionamento dell'apparecchiatura, rispettare le distanze illustrate nella figura precedente.



## 6. COMANDI DEL DISPLAY

Tutte le funzioni e i comandi dell'unità sono accessibili da un pannello di controllo situato sulla porta del frigorifero. Una tastiera composta da pulsanti a sfioramento e un display digitale permettono di configurare facilmente le impostazioni e le funzioni in modo semplice e intuitivo. **Importante!** Per azionare i pulsanti a sfioramento, basta premere brevemente su uno di loro. L'azionamento avviene dopo aver rimosso il dito dal pulsante e non durante la sua pressione. Non vi è alcuna necessità di esercitare pressione sulla tastiera. La funzione di sicurezza bambini collegata al pulsante "Alarm"



### Controllo della temperatura

Quando si avvia per la prima volta la propria apparecchiatura, si consiglia di impostare la temperatura del frigorifero a 5 °C e quella del congelatore a -18 °C. Per modificare la temperatura, seguire le istruzioni riportate di seguito.



#### ATTENZIONE!

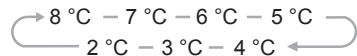
La temperatura impostata è da considerarsi la temperatura media dell'intera apparecchiatura. Le temperature dei singoli scomparti possono variare dai valori visualizzati sul display a seconda della quantità di alimenti e della loro posizione all'interno del frigorifero. La temperatura all'interno dell'apparecchiatura può dipendere anche dalla temperatura ambiente esterna.

### 6.1 Frigorifero

Per impostare la temperatura del frigorifero tra 8 °C e 2 °C, premere ripetutamente il pulsante "Fridge" (Frigorifero) e la temperatura diminuirà di 1 °C ad ogni pressione mentre l'indicatore della

(Allarme) richiede una pressione di almeno 3 secondi. Per le istruzioni dettagliate, fare riferimento alle sezioni corrispondenti riportate in questo manuale. Il pannello di controllo è composto da due zone di indicazione della temperatura, da cinque icone raffiguranti le varie modalità e da sei pulsanti a sfioramento. Quando l'apparecchiatura viene accesa per la prima volta, sul display si accende la retroilluminazione delle icone. Se non viene premuto alcun pulsante o se le porte rimangono chiuse, la retroilluminazione si spegne dopo 60 secondi.

temperatura del frigorifero visualizzerà il valore corrispondente in base alla sequenza seguente.



### 6.2 Fast Cool (Refrigerazione rapida)

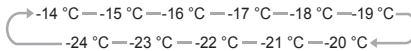


Se occorre inserire una grande quantità di alimenti all'interno del frigorifero, per esempio al ritorno dalla spesa, è consigliabile attivare la funzione di refrigerazione rapida per raffreddare più rapidamente gli alimenti introdotti nel frigorifero senza intiepidire i cibi già presenti al suo interno.

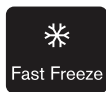
- Premere il pulsante "Fast Cool" per attivare questa funzione. L'icona "Super Cool" si accende e l'indicatore della temperatura visualizzerà 2 °C.
- La funzione "Super Cool" si disattiva automaticamente dopo circa 6 ore.
- Premere "Fast Cool" o "Fridge" per annullare la modalità di refrigerazione rapida e ripristinare le impostazioni di temperatura.

### 6.3 Freeze (Congelazione)

Premere il pulsante "Freezer" (Congelatore) per impostare la temperatura del congelatore tra -14 °C e -24 °C a seconda della temperatura desiderata; l'indicatore della temperatura del congelatore visualizzerà il valore corrispondente in base alla sequenza seguente.



### 6.4 Fast Freeze (Congelazione rapida)



La funzione di congelazione rapida permette di abbassare rapidamente la temperatura di congelazione e di congelare gli alimenti in modo

sostanzialmente più veloce del solito. Premere il pulsante "Fast Freeze" per attivare la funzione di congelazione rapida. L'icona "Super Freeze" si accende e l'indicatore della temperatura visualizzerà -24 °C.

- Per il primo utilizzo, o dopo un periodo di inattività, prima di utilizzare la funzione di congelazione rapida, far trascorrere 6 ore in modalità di funzionamento normale. Ciò è particolarmente importante se all'interno del congelatore viene introdotta una grande quantità di cibo.
- La funzione di congelazione rapida si spegne automaticamente dopo 26 ore di utilizzo e la temperatura del congelatore va a -20 °C.
- Premere "Fast Freeze" o "Freezer" per annullare la modalità di congelazione rapida e ripristinare le impostazioni di temperatura.

**Nota:** Quando si seleziona la funzione di congelazione rapida, assicurarsi che nel vano congelatore non siano presenti bevande in bottiglia o in lattina (specialmente le bevande gassate) in quanto queste possono esplodere.

### 6.5 Holiday



Questa funzione è pensata per ridurre al minimo il consumo di energia nonché le bollette della luce quando il frigorifero non è in uso per un lungo

periodo di tempo. È possibile attivare questa funzione premendo brevemente il pulsante "Holiday" fino all'illuminazione dell'icona "Holiday" (Vacanze).

**Importante!** Non introdurre altro cibo nel congelatore durante questo periodo di tempo.

- Quando la funzione Holiday è attivata, la temperatura del frigorifero passa automaticamente a 15 °C per ridurre al minimo il consumo di energia. L'indicatore della temperatura del frigorifero visualizza "-" e il vano congelatore rimane acceso.
- Premere il pulsante "Holiday" per annullare la modalità Vacanze e ripristinare le impostazioni di temperatura.

### 6.6 Allarme



In caso di allarme, l'icona "Alarm" si illumina e viene emesso un segnale acustico. Premere il pulsante "Alarm" per disattivare l'allarme e

interrompere il segnale acustico. L'icona "Alarm" si spegne.



#### ATTENZIONE!

Quando il frigorifero viene acceso dopo un periodo di inattività, è possibile che si attivi l'allarme. In tal caso, per annullarlo premere il pulsante "Alarm".

#### Allarme porta

La spia "Alarm" illuminata e il segnale acustico indicano un'anomalia, come ad esempio una porta lasciata accidentalmente aperta o un'interruzione dell'alimentazione elettrica verso l'unità.

- Lasciando aperta la porta del frigorifero o del congelatore per più di 2 minuti si attiva un allarme porta insieme a un segnale acustico. Il segnale acustico suona 3 volte al minuto per 10 minuti. Chiudendo la porta si annullano l'allarme porta e il segnale acustico.

- Per risparmiare energia, durante l'utilizzo del frigorifero, evitare di tenere le porte aperte a lungo. L'allarme porta può anche essere annullato chiudendo le porte.

## Allarme temperatura

Si tratta di un'importante funzione che avvisa l'utente circa la possibilità di danneggiare il cibo presente nel frigorifero. Se si verifica un'interruzione dell'alimentazione elettrica, per esempio un blackout nella propria zona di residenza quando si è fuori casa, l'allarme temperatura memorizza la temperatura del congelatore al momento del ripristino; questa probabilmente è la temperatura massima raggiunta dai prodotti congelati.

Una condizione di allarme temperatura viene indicata dalla spia "Alarm" e dal segnale acustico quando la temperatura è superiore a  $-9^{\circ}\text{C}$ , quindi

- a- l'icona Alarm si accende;
- b- l'indicatore della temperatura del congelatore visualizza la lettera "H";
- c- il segnale acustico viene emesso per 10 volte quando l'allarme è attivato e si arresta automaticamente.

## Sicurezza bambini



Per attivare la funzione "Child Lock", premere e tenere premuto il pulsante "Alarm" per 3 secondi.

Il display verrà bloccato per impedire la modifica accidentale delle impostazioni. Nel frattempo, sul display si accende l'icona "Child Lock".

- Per disattivare la funzione "Child Lock", premere e tenere premuto il pulsante "Alarm" per 3 secondi. L'icona "Child Lock" si spegne.

# 7. UTILIZZO DELL'APPARECCHIATURA

## 7.1 Dispenser acqua fredda

Il dispenser di acqua fredda, presente sulla porta sinistra del frigorifero, serve a contenere acqua potabile. Questa caratteristica fornisce acqua fredda senza dover aprire la porta.

- Pulizia
 

Prima di utilizzare il dispenser dell'acqua per la prima volta occorre pulirlo.

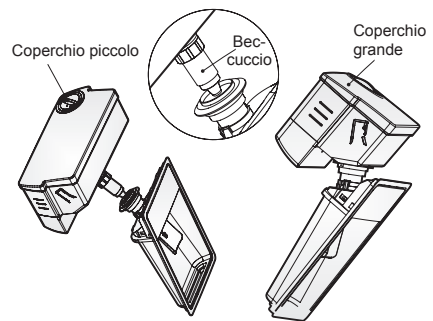
Fase 1: estrarre il dispenser dell'acqua

Fase 2: lavarlo con acqua pulita

Fase 3: asciugarlo
- Montaggio
 

Per rimontare il dispenser, fare riferimento alle istruzioni riportate di seguito.

  1. Tenere saldamente il contenitore dell'acqua da entrambi i bordi quindi sollevarlo ed estrarlo dalla porta.
  2. Svitare il beccuccio in senso antiorario.
  3. Reinserrire il contenitore nella porta fino ad udire il suono di innesto.



### AVVERTENZA!

Inserendo il contenitore dell'acqua, assicurarsi prima che il beccuccio sia posizionato correttamente nel foro.

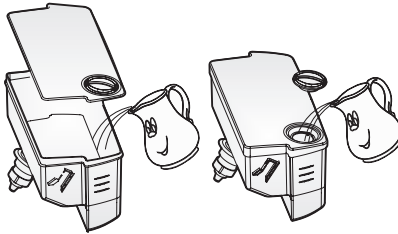
### Riempimento dell'acqua

Prima di riempire il contenitore dell'acqua con acqua potabile, accertarsi che questo sia ben fermo in posizione. Per evitare che l'acqua trabocchi e si rovesci, riempire il contenitore dell'acqua fin sotto il livello massimo di circa 4,0 L. Esistono due modi per riempire il contenitore dell'acqua:

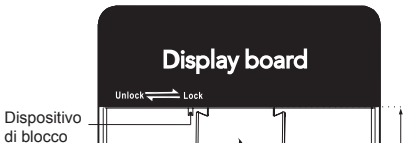
1. Rimuovendo il coperchio piccolo e versando l'acqua dalla bocchetta presente sul coperchio grande.
2. Rimuovendo il coperchio grande del serbatoio e versando direttamente l'acqua.

**ATTENZIONE!**

Non riempire il contenitore con liquidi diversi dall'acqua.



- **Blocco**  
Prima di erogare l'acqua, accertarsi che il dispenser sia in posizione "unlock" (sblocco). Il dispositivo di blocco si trova sotto il display board come indicato nell'immagine:

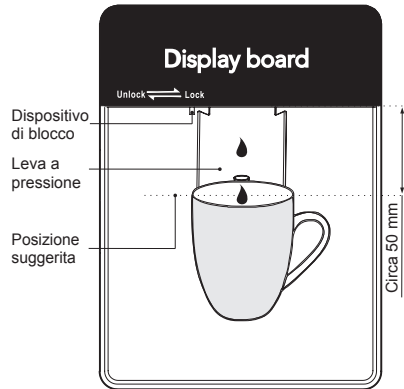
**AVVERTENZA!**

La funzione di blocco viene utilizzata per bloccare il dispositivo. Non spingere con forza la leva di erogazione quando il dispenser è in posizione "lock" (blocco), in quanto potrebbe danneggiarlo fino a romperlo.

- **Utilizzo del dispenser dell'acqua**  
Per prelevare l'acqua dal dispenser dell'acqua occorre utilizzare un bicchiere delle dimensioni appropriate.

**AVVERTENZA!**

Non tirare la leva di erogazione senza aver prima posizionato un bicchiere sotto; il dispenser inizia ad erogare l'acqua anche in assenza del bicchiere. Per evitare che l'aria fredda fuoriesca, mantenere installato il dispositivo di alimentazione dell'acqua anche quando non viene utilizzato il dispenser.



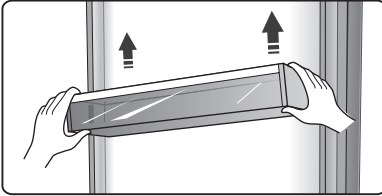
**Nota:** l'uso frequente del dispenser dell'acqua può far cadere delle gocce d'acqua sul vassoio il quale potrebbe debordare. Se necessario, asciugare il vassoio con uno strofinaccio.

**7.2 Balconcino porta**

Il vano frigorifero è dotato di balconcini porta adatti per riporre cibi e bevande in lattina o bottiglia nonché altri alimenti confezionati. Non appoggiare grandi quantità di cibo e di alimenti pesanti sui balconcini porta.

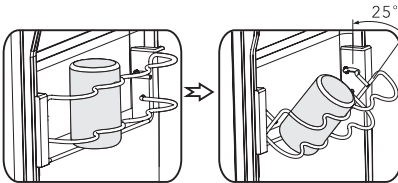
- Il balconcino porta intermedio può essere regolato all'altezza desiderata a seconda delle proprie esigenze. Svuotare il balconcino prima di sollevarlo verso l'alto per estrarlo. Riposizionare quindi il balconcino all'altezza desiderata.

**Nota:** Il portauova in dotazione va posizionato nel balconcino superiore.



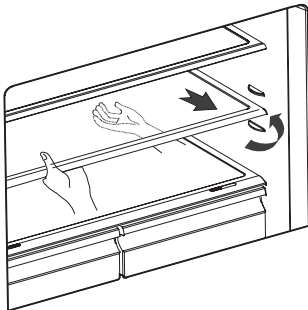
### 7.3 Portalattine

- Questo accessorio può contenere fino a 4 lattine di dimensioni standard, ma non è adatto per le lattine con diametro inferiore a 50 mm. Volendo, può anche essere inclinato di 25° rispetto al ripiano al fine di facilitare il caricamento o il prelievo delle bibite.

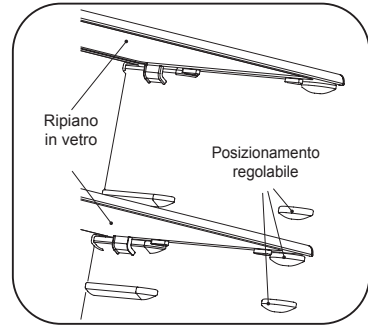


### 7.4 Ripiani in vetro

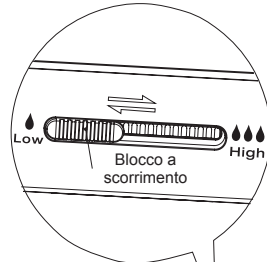
Il vano frigorifero è dotato di due ripiani in vetro. Mentre il ripiano superiore è destinato ad essere fisso, il ripiano inferiore è regolabile. Il ripiano inferiore può essere regolato in tre diverse posizioni. Regolare l'altezza del ripiano secondo le proprie necessità:



- Durante la rimozione dei ripiani, tirarli delicatamente in avanti fino a farli uscire dalle guide.
- Per il rimontaggio dei ripiani, assicurarsi che dietro di loro non siano presenti ostacoli, quindi spingerli delicatamente in posizione.



### 7.5 Cassetto e controllo dell'umidità



Il cassetto, montato su guide telescopiche estensibili, serve a riporre la frutta e la verdura. Grazie al blocco scorrevole è possibile regolare l'umidità all'interno del cassetto.

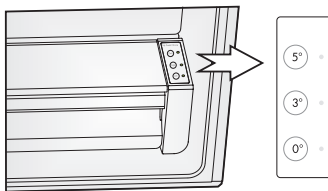
- Il controllo dell'umidità regola il flusso dell'aria nel cassetto; un maggiore flusso dell'aria di traduce in minore umidità. Fare scorrere il dispositivo di controllo dell'umidità verso destra al fine di aumentare l'umidità.



- Per la conservazione della verdura si consiglia un tasso di umidità elevato mentre per quella della frutta un tasso di umidità ridotto.
- Seguire queste semplici istruzioni per rimuovere il cassetto per frutta e verdura o il cassetto congelatore, per la pulizia. Svuotare il cassetto; estrarlo fino alla sua posizione di completa apertura. Sollevare il cassetto dalle guide laterali. Spingere le guide a fondo per evitare di danneggiare l'apparecchiatura durante la chiusura della porta.

## 7.6 FRESH ZONE. Controllo preciso della temperatura (opzionale)

Gli alimenti possono essere conservati per lunghi periodi di tempo se riposti a una temperatura ottimale, ma tipi di cibo diversi richiedono temperature di conservazione diverse. Sulla destra del cassetto è presente un apposito display. I pulsanti "FRESH ZONE" permettono di impostare la temperatura del vano a 0 °C, a 3 °C e a 5 °C per adattarsi rispettivamente a carne, a frutta e verdura o ad altro prodotto di gastronomia. Per le impostazioni consigliate riguardo le varie esigenze di conservazione, fare riferimento alla tabella riportata di seguito.



Gastronomia [5 °C]	Verdura [3 °C]	0 °C [0 °C]
Formaggio	Cetrioli	Bistecche
Prosciutto	Lattuga	Pesce
Salame	Arance	Affettati
Olive	Pannocchie	Pollame

## 7.7 Utilizzo del vano frigorifero

Il vano frigorifero è adatto per la conservazione di frutta e frutta. Si consiglia di conservare gli alimenti in imballaggi separati al fine di evitare la dispersione dell'umidità o di mischiare le fragranze tra loro.



### ATTENZIONE!

Non chiudere le porte se i ripiani, il cassetto e/o le guide telescopiche sono in posizione estesa. Così facendo si rischia di danneggiare l'unità.

## 7.8 Utilizzo del cassetto del congelatore

Il cassetto del congelatore è adatto per la conservazione dei cibi che devono essere congelati, come la carne, i gelati, ecc. Per rimuovere il cassetto del congelatore, estrarlo completamente, inclinare verso l'alto il vassoio ed estrarlo, quindi aprire completamente le porte del frigorifero per poter estrarre il cassetto inferiore del congelatore come mostrato nell'immagine seguente.



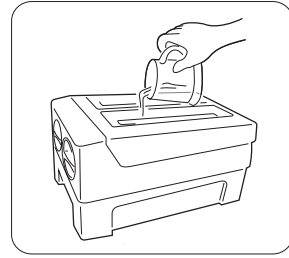
### ATTENZIONE!

Non lasciare che per gioco i bambini entrino all'interno del frigorifero, poiché potrebbero farsi male o danneggiare il frigorifero stesso. Non sedersi sulla porta del frigorifero. La porta potrebbe rompersi. Non lasciare che i bambini si arrampichino sul cestello del congelatore.

Se per la pulizia del cestello occorre rimuovere il divisore, questo va reinstallato al termine della pulizia per evitare che per gioco i bambini rimangono bloccati a suo interno.

## 7.9 Vaschetta del ghiaccio Twist

- La vaschetta del ghiaccio Twist è collocata nella parte superiore del cassetto del congelatore per creare i cubetti di ghiaccio e al contempo conservarli.
  1. Riempire con acqua potabile fin sotto il livello massimo.
  2. Riposizionare la vaschetta del ghiaccio nella staffa.
  3. Occorrono circa 3 ore perché il ghiaccio sia pronto; a quel punto girare le manopole in senso orario per far cadere i cubetti di ghiaccio nell'apposito contenitore sottostante.



4. I cubetti di ghiaccio possono essere conservati nel contenitore del ghiaccio il quale all'occorrenza può essere estratto per prelevare alcuni cubetti.

**Nota:** se la vaschetta del ghiaccio viene usata per la prima volta o se non è stata utilizzata per un lungo periodo di tempo, va pulita prima dell'utilizzo.

## 8. CONSIGLI E SUGGERIMENTI UTILI

### 8.1 Suggerimenti per risparmiare energia

Per il risparmio energetico, si consiglia di seguire i suggerimenti riportati di seguito.

- Cercare di non tenere la porta aperta troppo a lungo.
- Assicurarsi che l'apparecchiatura sia lontana da fonti di calore (luce solare diretta, forno elettrico, piano cottura ecc).
- Non impostare la temperatura a un valore inferiore al necessario.
- Non introdurre alimenti o liquidi caldi nel frigorifero.
- Posizionare l'apparecchiatura in un locale ben ventilato e privo di umidità. Fare riferimento al capitolo "Installazione dell'apparecchiatura".
- La Panoramica 1 nella sezione "Descrizione dell'apparecchiatura" mostra la disposizione corretta dei cassetti, dei balconcini e dei ripiani; non alterare la disposizione poiché questa è la combinazione più efficiente dal punto di vista energetico.

### Consigli per la refrigerazione di alimenti freschi

- Non mettere cibi caldi direttamente in frigorifero o nel congelatore in quanto la temperatura interna aumenta comportando un maggior impiego del compressore e di conseguenza un consumo più elevato di energia.
- Coprire o avvolgere gli alimenti, in particolare quelli con un gusto o un aroma forte.
- Disporre gli alimenti in modo da garantire un'adeguata circolazione d'aria.

### Consigli per la refrigerazione

- Carne (tutti i tipi): deve essere avvolta in sacchetti di polietilene e collocata sul ripiano di vetro, sopra il cassetto delle verdure. Rispettare sempre i tempi di conservazione degli alimenti nonché le date proposte dai produttori.
- Alimenti cotti, piatti freddi, ecc.: devono essere coperti e possono essere disposti su qualsiasi ripiano.
- Frutta e verdura: devono essere risposte negli appositi cassetti.



- Burro e formaggio: devono essere avvolti in pellicola ermetica o di plastica.
- Latte in bottiglia: con il tappo ben chiuso può essere riposto sui balconcini porta.

## 8.2 Consigli per il congelamento

- Al primo avvio o dopo un periodo di inutilizzo, lasciare in funzione l'apparecchiatura per almeno 2 ore con una regolazione alta prima di introdurre gli alimenti.
- Dividere gli alimenti in piccole porzioni, in modo da facilitare un congelamento rapido e consentire lo scongelamento solo della quantità necessaria.
- Avvolgere gli alimenti in pellicola di alluminio o polietilene in modo da evitare il contatto con l'aria.
- Non disporre gli alimenti freschi non congelati a contatto con quelli già congelati al fine di evitare l'innalzamento della temperatura di questi ultimi.
- I prodotti congelati, se consumati appena prelevati dal vano congelatore, possono causare ustioni da freddo.

- Si consiglia di etichettare e datare ogni pacchetto congelato al fine di tenere traccia delle loro tempistiche di conservazione.

### Consigli per la conservazione dei surgelati

- Assicurarsi che gli alimenti surgelati siano stati conservati correttamente dal rivenditore.
- Una volta scongelati, gli alimenti si deteriorano rapidamente e non devono essere ricongelati. Non superare la durata di conservazione indicata sulla confezione.

## 8.3 Spegnimento dell'apparecchiatura

Se l'apparecchiatura non deve essere utilizzata per un periodo di tempo prolungato, procedere come segue per evitare la formazione di muffe al suo interno.

1. Estrarre tutti gli alimenti.
2. Estrarre la spina dalla presa di alimentazione elettrica.
3. Lavare e asciugare accuratamente l'interno.
4. Lasciare le porte leggermente aperte per consentire all'aria di circolare.

# 9. PULIZIA E CURA

Per motivi igienici, è necessario pulire regolarmente l'interno dell'apparecchiatura, inclusi la parte esterna e gli accessori interni, almeno una volta ogni due mesi.



### ATTENZIONE!

L'apparecchiatura non deve essere collegata alla rete di alimentazione durante la pulizia. Pericolo di scossa elettrica! Prima di eseguire la pulizia, spegnere l'apparecchiatura ed estrarre la spina dalla presa di alimentazione elettrica.

## 9.1 Pulizia esterna

Per mantenere l'apparecchiatura in buone condizioni, occorre pulirla regolarmente.

- Pulire il pannello e il display digitale con un panno morbido e pulito.

- Spruzzare dell'acqua sul panno e non direttamente sulla superficie dell'apparecchiatura. In questo modo si garantisce una distribuzione uniforme del liquido sulla superficie.
- Pulire le porte, le maniglie e le superfici del frigorifero con un detergente neutro, quindi asciugare con un panno morbido.



### ATTENZIONE!

- Non usare oggetti abrasivi che possano graffiare la superficie.
- Per la pulizia non usare diluenti, detersivi per auto, cloro, olio etereo, detersivi abrasivi o solventi organici come il benzene. Tali prodotti possono danneggiare la superficie dell'apparecchiatura o addirittura provocare un incendio.

## 9.2 Pulizia interna

- L'interno del frigorifero deve essere pulito regolarmente. Si consiglia di eseguire la pulizia quando il frigorifero è relativamente vuoto. Pulire l'interno del frigorifero e del congelatore con una soluzione di bicarbonato di sodio ben diluita, quindi sciacquare con acqua tiepida utilizzando una spugna o un panno strizzati. Asciugare completamente prima di riposizionare i ripiani e i cestelli. Asciugare accuratamente tutte le superfici e le parti rimovibili.
- Anche se l'apparecchiatura prevede lo sbrinamento automatico, è possibile che si formi uno strato di brina sulle pareti interne del vano congelatore qualora la porta del freezer venga aperta di frequente o tenuta aperta troppo a lungo. Se lo strato di ghiaccio diventa troppo spesso, scegliere un momento in cui le scorte alimentari siano ridotte per procedere come segue:
  1. Rimuovere gli alimenti e i cestelli, scollegare l'apparecchiatura dalla rete elettrica e lasciare le porte aperte. Ventilare accuratamente per accelerare il processo di scongelamento.
  2. Quando lo sbrinamento è completato, pulire il congelatore come descritto sopra.



### ATTENZIONE!

Non usare oggetti appuntiti per sbrinare il vano congelatore. L'apparecchiatura può essere ricollegata alla rete elettrica e quindi riaccesa, solo dopo che il suo interno è completamente asciutto.

## 9.3 Pulizia delle guarnizioni delle porte

Le guarnizioni delle porte devono essere pulite regolarmente. I residui di alimenti o bevande possono far aderire le guarnizioni all'unità e causarne strappi all'apertura della porta. Lavare le guarnizioni con acqua tiepida miscelata con detergente delicato. Dopo la pulizia risciacquare e asciugare accuratamente.



### ATTENZIONE!

L'apparecchiatura può essere riaccesa, solo quando le guarnizioni della porta sono completamente asciutte.



### AVVERTENZA!

La luce a LED non deve essere sostituita dall'utente! Se la luce a LED viene danneggiata, contattare l'assistenza clienti.

## 10. RISOLUZIONE DEI PROBLEMI

Se l'apparecchiatura presenta un'anomalia oppure se si pensa che non funzioni correttamente, prima di contattare l'assistenza, è possibile effettuare alcune semplici verifiche riportate di seguito. Questa sezione spiega alcuni semplici controlli effettuabili prima di chiamare il servizio di assistenza.



### AVVERTENZA!

Non tentare di riparare da soli l'apparecchiatura. Se il problema persiste dopo aver effettuato i controlli indicati di seguito, contattare un elettricista, un tecnico autorizzato o il negozio in cui è stato acquistato il prodotto.

Problema	Possibile causa e soluzione
L'apparecchiatura non funziona correttamente.	Controllare se il cavo di alimentazione è inserito correttamente nella presa di corrente.
	Controllare il fusibile o il circuito della propria alimentazione elettrica, e se necessario procedere alla loro sostituzione.
	È normale che il congelatore non funzioni durante il ciclo di sbrinamento automatico, o per un breve periodo dopo l'accensione dell'apparecchiatura al fine di proteggere il compressore.
Odori provenienti dai vani	Potrebbe essere necessario pulire l'interno del frigorifero.
	Alcuni alimenti, contenitori o imballaggi producono odori.
Rumore proveniente dall'apparecchiatura	È abbastanza normale udire i rumori seguenti: Rumori di funzionamento del compressore. <ul style="list-style-type: none"> <li>• Rumore di movimento dell'aria proveniente dal motore della ventola presente nel vano congelatore o in altri vani.</li> <li>• Gorgoglii simili al rumore dell'acqua in ebollizione.</li> <li>• Schiocco durante lo sbrinamento automatico.</li> <li>• Scatto prima dell'avvio del compressore.</li> </ul>
	Altri rumori insoliti sono dovuti ai motivi riportati di seguito e potrebbero dover esser controllati e risolti: Un errato livellamento del mobiletto. La parte posteriore dell'apparecchiatura tocca la parete. Bottiglie o contenitori caduti o che rotolano.
Il motore funziona ininterrottamente.	È normale sentire il rumore del motore, il quale deve funzionare maggiormente nelle circostanze seguenti: <ul style="list-style-type: none"> <li>• La temperatura è impostata a un valore inferiore del necessario.</li> <li>• All'interno dell'apparecchiatura, sono state recentemente introdotte grandi quantità di alimenti caldi.</li> <li>• La temperatura all'esterno dell'apparecchiatura è troppo alta.</li> <li>• Le porte vengono tenute aperte a lungo.</li> <li>• Dopo l'installazione dell'apparecchiatura o dopo che questa sia stata spenta per un lungo periodo di tempo.</li> </ul>
Nel vano si accumula uno strato di brina.	Controllare che le prese d'aria non siano ostruite dagli alimenti e assicurarsi che questi siano collocati all'interno dell'apparecchiatura in modo da consentire una ventilazione sufficiente. Controllare che la porta sia completamente chiusa. Per rimuovere l'accumulo di brina, fare riferimento alla sezione "Pulizia e cura".
La temperatura interna è troppo alta.	È possibile che le porte siano state lasciate aperte troppo a lungo o troppo spesso o che le porte siano tenute aperte a causa di qualche ostacolo; oppure l'apparecchiatura dispone di poco spazio ai lati, sul retro e sulla parte alta.

La temperatura interna è troppo bassa.	Aumentare la temperatura seguendo le istruzioni indicate nel capitolo "Comandi del display".
Le porte non si chiudono facilmente.	Controllare che la parte alta del frigorifero sia inclinata all'indietro di 10-15 mm per consentire la chiusura automatica delle porte oppure verificare l'eventuale presenza di cibi o bevande all'interno del frigorifero che ne impediscano la chiusura.
Cola acqua sul pavimento.	La vaschetta dell'acqua (situata sulla parte posteriore inferiore dell'apparecchiatura) potrebbe non essere livellata correttamente oppure il beccuccio di scarico (presente sotto la parte superiore del contenitore del compressore) potrebbe non essere posizionato correttamente in modo da dirigere l'acqua in tale vaschetta oppure potrebbe essere ostruito. Se necessario, allontanare il frigorifero dalla parete per controllare la vaschetta e il beccuccio.
L'illuminazione non funziona.	La luce a LED potrebbe essersi danneggiata. Per la sostituzione delle luci a LED, fare riferimento al capitolo Pulizia e cura. Il sistema di controllo ha disabilitato le luci perché la porta è rimasta aperta troppo a lungo; chiudere e riaprire la porta per riattivare le luci.
Le porte non si aprono agevolmente.	Controllare la guarnizione della porta, e se è necessario pulire la parte in gomma sui bordi con sapone e acqua tiepida. Qui si accumulano grasso e sporcizia che possono far aderire la porta al frigorifero.

## 11. SMALTIMENTO DELL'APPARECCHIATURA

Il frigorifero è costruito in materiali riutilizzabili e va smaltito secondo le attuali normative locali per lo smaltimento dei rifiuti. L'apparecchiatura contiene una piccola quantità di refrigerante (R600a) in un circuito di refrigerazione. Prima di procedere alla rottamazione dell'apparecchiatura, per la propria sicurezza, si prega di fare riferimento alla sezione "Refrigerante e rischio

d'incendio" presente in questo manuale di istruzioni. Tagliare il cavo di alimentazione per rendere il frigorifero inutilizzabile e rimuovere la guarnizione della porta e il suo dispositivo di blocco. Si prega di fare attenzione a non danneggiare il sistema di raffreddamento perforando il contenitore del refrigerante, curvando i tubi e/o graffiando il rivestimento superficiale.

### Corretto smaltimento di questo prodotto



Questo simbolo riportato sul prodotto o sul suo imballaggio indica che il prodotto non deve essere considerato come un normale rifiuto domestico, ma che deve essere portato nel punto di raccolta appropriato per il riciclo di apparecchiature elettriche ed elettroniche. Lo smaltimento corretto del prodotto previene conseguenze negative potenziali per l'ambiente e la salute dell'uomo, che potrebbero derivare dalla manipolazione inappropriata del prodotto. Per informazioni più dettagliate sul riciclo del prodotto, contattare l'ufficio municipale competente, il servizio locale di smaltimento dei rifiuti o il negozio presso il quale è stato effettuato l'acquisto.



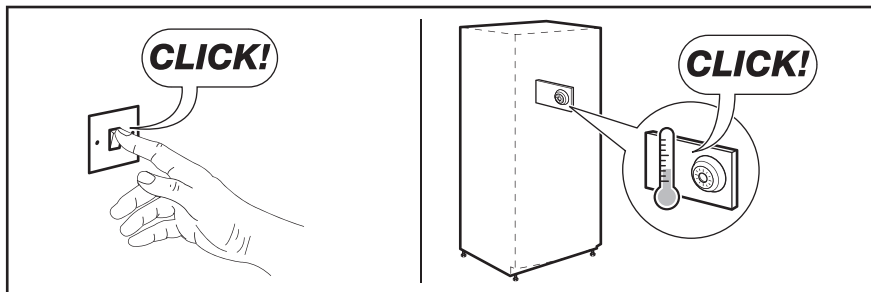
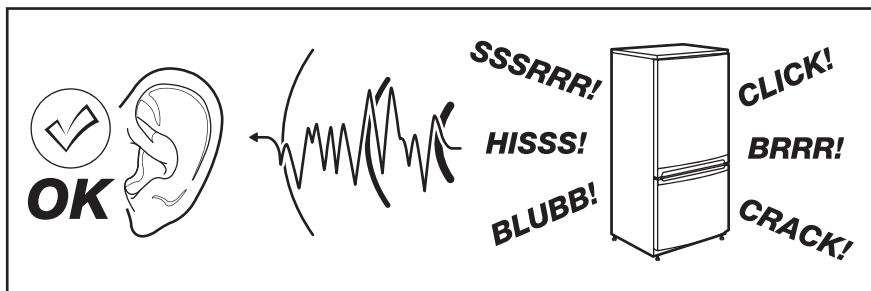
## 12. DATI TECNICI

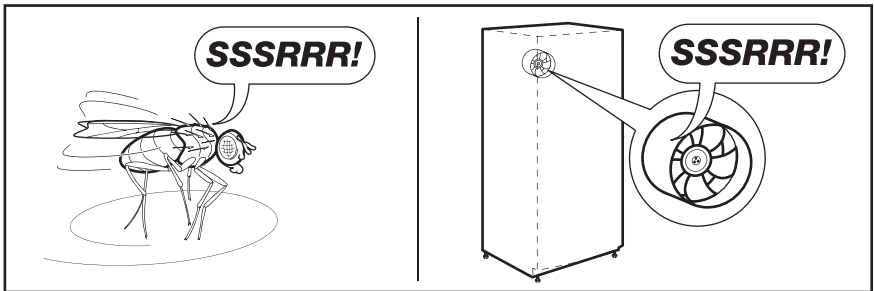
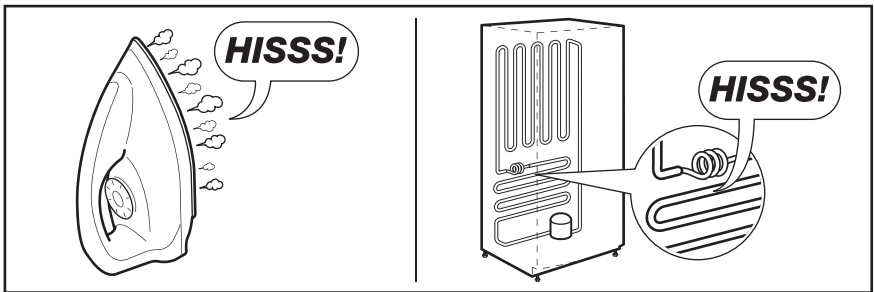
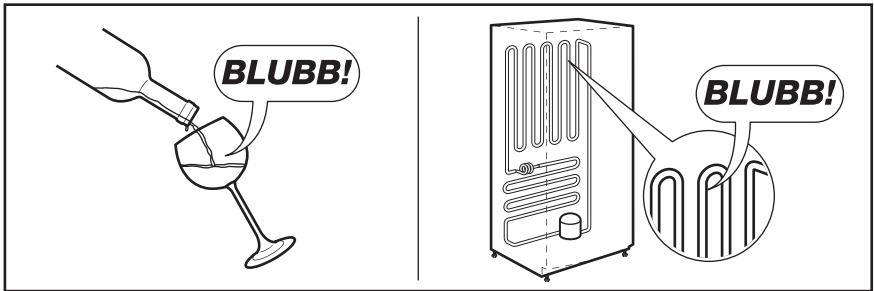
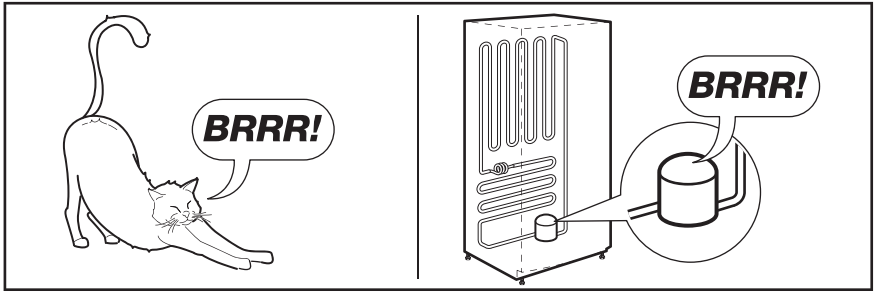
Dimensione	
Altezza	1766 mm
Larghezza	912 mm
Profondità	765 mm
Tempo di risalita	12 ore
Tensione	220-240 V
Frequenza	50 Hz

I dati tecnici sono riportati sulla targhetta dei dati, applicata sul lato sinistro interno dell'apparecchiatura, e sull'etichetta dei valori energetici.

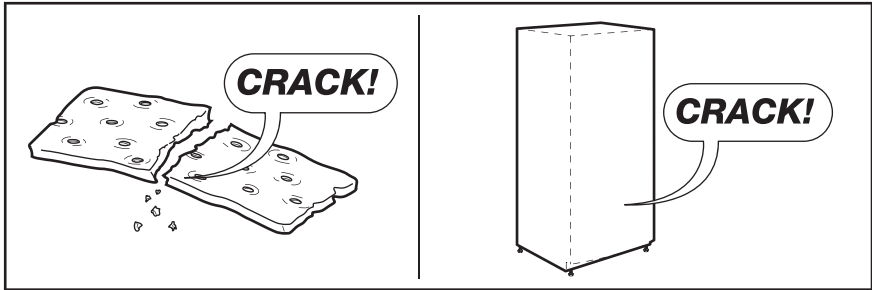
## 13. RUMORI

Durante l'uso, alcuni rumori di funzionamento (come quelli del compressore o del circuito refrigerante) sono da considerarsi normali.









# SATURA RĀDĪTĀJS

1. INFORMĀCIJA PAR DROŠĪBU.....	91
2. NORĀDĪJUMI PAR DROŠĪBU .....	92
3. APSVĒRUMI PAR VIDES AIZSARDZĪBU.....	93
4. IERĪCES APRAKSTS .....	94
5. JAUNAS IERĪCES UZSTĀDĪŠANA.....	96
6. DISPLEJA VADĪBAS IERĪCES.....	98
7. IERĪCES LIETOŠANA.....	100
8. NODERĪGI IETEIKUMI UN PADOMI .....	104
9. TĪRĪŠANA UN APKOPE .....	105
10. PROBLĒMU NOVĒRŠANA.....	106
11. IERĪCES LIKVIDĒŠANA.....	108
12. TEHNISKIE DATI .....	109
13. TROKŠŅI .....	109

## LABĀKIEM REZULTĀTIEM

Pateicamies, ka izvēlējāties šo Electrolux izstrādājumu. Mēs esam radījuši tādu ierīci, kas nevainojami kalpos ilgus gadus un kurā ir iebūvētas novatoriskas tehnoloģijas, kas palīdz atvieglot ikdienas dzīvi un piedāvā funkcijas, kādas nav pieejamas parastām ierīcēm. Lūdzu, veltiet dažas minūtes un izlasiet tālāk sniegto informāciju, lai maksimāli izmantotu ierīces priekšrocības.

### Apmeklējiet mūsu tīmekļa vietni



Padomi par lietošanu, brošūras, informācija par problēmu novēršanu un apkopi:  
[www.electrolux.com](http://www.electrolux.com)



Reģistrējiet savu izstrādājumu, lai uzlabotu pakalpojumu kvalitāti:  
[www.electrolux.com/productregistration](http://www.electrolux.com/productregistration)



legādājieties savam izstrādājumam oriģinālās rezerves daļas, materiālus un piederumus:  
[www.electrolux.com/shop](http://www.electrolux.com/shop)

## KLIENTU APKALPOŠANA UN PAKALPOJUMI

Vienmēr lietojiet oriģinālās rezerves daļas.

Sazinoties ar pilnvarota apkalpes dienesta pārstāvi, sagatavojiet šādus datus:

modelis, izstrādājuma numurs, sērijas numurs.

Šo informāciju var atrast tehnisko datu plāksnītē.

 Brīdinājumi un informācija par drošību

 Vispārīga informācija un padomi

 Informācija par apkārtējo vidi

Var tikt mainīta bez brīdinājuma.



# 1. INFORMĀCIJA PAR DROŠĪBU

Pirms ierīces uzstādīšanas un lietošanas rūpīgi izlasiet pievienotos norādījumus. Ražotājs neatbild par bojājumiem un traumām, ko radījusi ierīces nepareiza uzstādīšana vai lietošana. Saglabājiēt šos norādījumus ierīces tuvumā turpmākām uzziņām.

## 1.1 Bērnu un cilvēku ar īpašām vajadzībām drošība

- Šo ierīci drīkst izmantot bērni no 8 gadu vecuma un cilvēki ar ierobežotām fiziskām, jutīguma vai garīgām spējām vai pieredzes un zināšanu trūkumu tikai tad, ja atbildīgā persona uzrauga šādus cilvēkus vai viņi ir apmācīti par ierīces drošu lietošanu un izprot potenciālo risku.
- Neļaujiet bērniem rotaļāties ar ierīci.
- Tīrīšanu un lietotāja veiktu apkopi nedrīkst veikt bērni bez uzraudzības.
- Glabājiēt iepakojuma materiālus bērniem nepieejamā vietā.

## 1.2 Vispārīgi drošības norādījumi

- Ierīce ir paredzēta izmantošanai mājssaimniecībā un līdzīgiem mērķiem, piemēram:
  - lauku mājās, personāla virtuves telpās veikalos, birojos un citās darba vidēs;
  - klientu vajadzībām viesnīcās, moteļos un gultasvietas un brokastu tipa viesnīcās, kā arī citās apmešanās vietās.
- Nodrošiniēt, lai ierīces korpasa vai iebūvētās konstrukcijas ventilācijas atveres nebūtu aizsērējušas.
- Nelietojiet ražotāja neieteiktas mehāniskas ierīces vai citus līdzekļus atkausēšanas procesa paātrināšanai.
- Nesabojājiēt aukstumaģenta kontūru.
- Nelietojiet elektroierīces pārtikas uzglabāšanas nodalījumos, ja vien to izmantošanu neparedz ražotājs.
- Ierīces tīrīšanai neizmantojiēt tvaiku un neizsmidziniēt ūdeni.
- Tīriēt ierīci ar mitru un mīkstu drāniņu. Izmantojiēt tikai neitrālus mazgāšanas līdzekļus. Nelietojiet abrazīvus līdzekļus, smilšpapīrus, šķīdinātājus un metāla priekšmetus.

- Šajā ierīcē neuzglabājiēt uzliesmojošas vielas, piemēram, aerosola baloniņus ar uzliesmojošām vielām.
- Ja strāvas vads ir bojāts, ražotājam, tā servisa pārstāvim vai līdzcērtīgi kvalificētam speciālistam tas ir jānomaina, lai novērstu apdraudējumu.
- Ja ierīce ir aprīkota ar ledus pagatavošanas ierīci vai ūdens dozatoru, uzpildiet tos tikai ar dzeramo ūdeni.
- Ja ierīcei nepieciešams savienojums ar ūdens padevi, pievienojiet to tikai dzeramā ūdens avotam.
- leplūdes ūdens spiedienam (minimālajam un maksimālajam) ir jābūt no 1 bāra (0,1 MPa) līdz 10 bāriem (1 MPa).

## 2. NORĀDĪJUMI PAR DROŠĪBU

### 2.1 Uzstādīšana



#### **BRĪDINĀJUMS!**

Ierīci drīkst uzstādīt tikai kvalificēta persona.

- Noņemiet visu iepakojumu.
- Neuzstādiēt un nelietojiet bojātu ierīci.
- Ievērojiet kopā ar ierīci piegādātos norādījumus par uzstādīšanu.
- Ievērojiet piesardzību, pārvietojot ierīci, jo tā ir smaga. Vienmēr lietojiet aizsargcimdus.
- Pārlicinieties, vai ap ierīci brīvi cirkulē gaiss.
- Nogaidiet vismaz četras stundas, pirms pievienojāt ierīci pie strāvas padeves avota. Tas ir nepieciešams, lai ļautu eļļai ieplūst atpakaļ kompresorā.
- Neuzstādiēt ierīci blakus radiatoriem, plītiem, cepeškrāsnīm vai plīts virsmām.
- Ierīces aizmugurējā virsma ir jānovieto pret sienu.
- Nenovietojiet ierīci tiešos saules staros.
- Neuzstādiēt šo ierīci pārāk mitrās un pārāk aukstās vietās, piemēram, tehniskajās palīgtelpās, garāžās un vīna pagrabos.
- Pārvietojot ierīci, paceliet to aiz priekšējās malas, lai nesaskrāpētu grīdu.

### 2.2 Strāvas padeves avota pievienošana



#### **BRĪDINĀJUMS!**

Var izraisīt ugunsgrēku un elektrošoku.

- Ierīcei ir jābūt iezemētai.
- Pārlicinieties, vai informācija uz tehnisko datu plāksnītes atbilst jūsu elektrosistēmas parametriem. Ja neatbilst, sazinieties ar elektriķi.
- Vienmēr izmantojiet pareizi uzstādītu un drošu kontaktligzdu.
- Nelietojiet daudzkontakta adapterus un pagarinātājus.
- Rīkojieties uzmanīgi, lai nesabojātu elektriskās detaļas (piem., kontaktdakšu, kabeli, kompresoru). Sazinieties ar servisa daļu vai elektriķi, lai nomainītu elektriskās detaļas.
- Strāvas vadam ir jāatrodas zemāk par kontaktdakšu. Pievienojiet kontaktdakšu kontaktligzdai tikai uzstādīšanas beigās. Pārbaudiet, vai pēc uzstādīšanas kontaktdakšai var brīvi piekļūt. Ierīci nedrīkst atvienot no strāvas padeves avota, velkot aiz strāvas vada. Vienmēr velciet aiz kontaktdakšas.

### 2.3 Lietošana



#### **BRĪDINĀJUMS!**


Traumu, apdegumu vai elektrošoka risks.

- Nemainiet šīs ierīces specififikācijas.
- Neievietojiet elektriskās ierīces (piem., saldējuma pagatavošanas ierīci) ledusskapī, ja vien ražotājs nav norādījis, ka to var darīt.
- Rīkojieties uzmanīgi, lai nesabojātu aukstumaģenta kontūru. Tas satur izobutānu (R600a), dabasgāzi, kas ir videi gandrīz nekaitīga. Šī gāze uzliesmo.
- Ja aukstumaģenta kontūrā rodas bojājumi, pārļiecinieties, vai telpā nav liesmu vai aizdegšanās avotu. Izvēdiniet telpu.
- Neļaujiet karstiem priekšmetiem saskarties ar ierīces plastmasas daļām.
- Neglabājiet gāzētus dzērienus saldētavas nodalījumā. Tas rada spiedienu dzēriena tvertnē.
- Neuzglabājiet ierīcē viegli uzliesmojošas gāzes un šķidrumus.
- Neievietojiet ierīcē, neturiet tās tuvumā vai uz tās viegli uzliesmojošas vietas vai ar viegli uzliesmojošām vielām piesūcinātus priekšmetus.
- Nepieskarieties kompresoram un kondensatoram. Tie ir karsti.
- Neizņemiet un nepieskarieties saldētavā ievietotajiem produktiem ar slapjām un mitrām rokām.
- Nesasaldējiet atkārtoti atkausētu pārtiku.
- Ievērojiet uzglabāšanas norādījumus, kas norādīti uz pārtikas iepakojuma.

## 2.4 Iekšējais apgaismojums

- Šajā ierīcē iebūvētais lampas veids nav piemērots mājsaimniecības telpu apgaismojumam.

# 3. APSVĒRUMI PAR VIDES AIZSARDZĪBU

Nododiet otrreizējai pārstrādei materiālus ar simbolu , ievietojiet iepakojuma materiālus atbilstošajos konteineros to otrreizējai pārstrādei. Palīdziet aizsargāt apkārtējo vidi un cilvēku veselību, atkārtoti pārstrādājot elektrisko

## 2.5 Kopšana un tīrīšana



### BRĪDINĀJUMS!

Traumu vai ierīces bojājumu risks.

- Pirms apkopes izslēdziet ierīci un atvienojiet to no strāvas padeves avota.
- Šīs ierīces dzesētājā ir ogleņdeņradis. Dzesētāja uzpildes darbus drīkst veikt tikai kvalificētas personas.
- Regulāri pārbaudiet ierīces izplūdes atveri un, ja nepieciešams, iztīriet to. Ja izplūdes sistēma ir nosprostota, atkausētais ūdens sakrājas ierīces apakšējā daļā.


## 2.6 Likvidēšana



### BRĪDINĀJUMS!

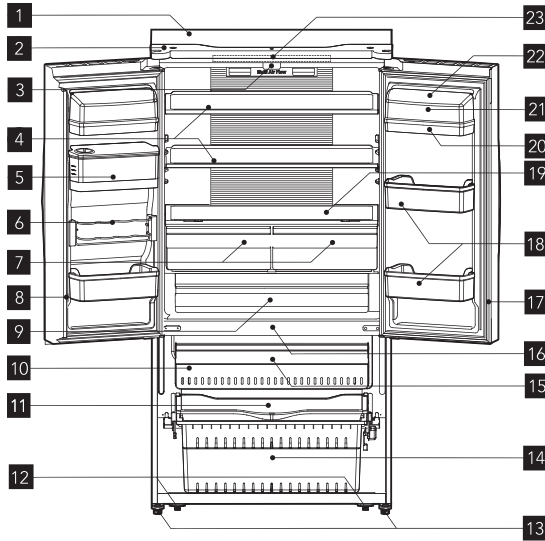
Traumu vai nosmakšanas risks.

- Atvienojiet ierīci no strāvas padeves avota.
- Nogrieziet strāvas vadu un izmetiet to.
- Izņemiet durvis, lai novērstu bērnu un dzīvnieku ieslēgšanu ierīcē.
- Šīs ierīces aukstumaģenta kontūrs un izolācijas materiāli nekaitē ozona slānim.
- Izolācijas putas satur viegli uzliesmojošu gāzi. Sazinieties ar vietējo pašvaldību, lai noskaidrotu, kā pareizi atbrīvoties no ierīces.
- Nesabojājiet dzesēšanas bloka daļu, kas atrodas blakus siltummainim.

un elektronisko iekārtu atkritumus. Neizmetiet ierīces, kas apzīmētas ar simbolu , kopā ar mājsaimniecības atkritumiem. Nododiet izstrādājumu vietējā otrreizējās pārstrādes punktā vai sazinieties ar vietējo pašvaldību.

## 4. IERĪCES APRAKSTS

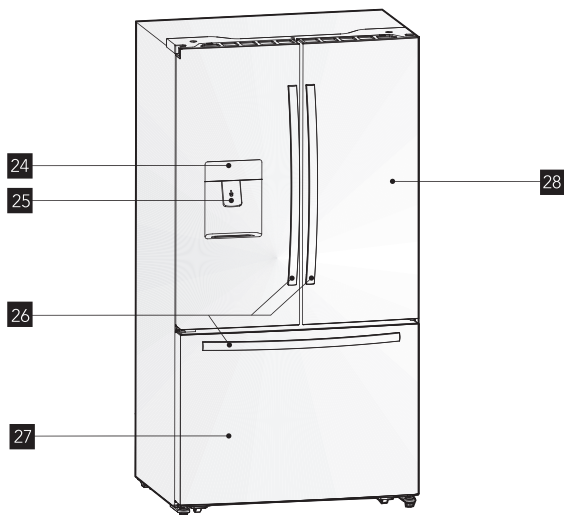
### 4.1 Ierīces 1. skats



- |   |   |
|---|---|
| <b>1</b> Korpuss                                      | <b>13</b> Regulējamas pamatnes kājiņas                      |
| <b>2</b> Virsējais pārsegs                            | <b>14</b> Apakšējā saldētavas atvilktnē                     |
| <b>3</b> Vertikālo plāksņu vadotņu bloks              | <b>15</b> Augšējā saldētavas atvilktnē                      |
| <b>4</b> Stikla plaukts                               | <b>16</b> Saldētavas gaismas diožu apgaismojums (iekšpusē)  |
| <b>5</b> Ūdens uzglabāšanas tvertne                   | <b>17</b> Ledusskapja durvju blīvējums                      |
| <b>6</b> Elastīgs kārbu plaukts                       | <b>18</b> Apakšējais plaukts                                |
| <b>7</b> Augļu un dārzeņu nodalījums                  | <b>19</b> Augļu un dārzeņu nodalījuma pārsegs               |
| <b>8</b> Vertikālo plāksņu daļa                       | <b>20</b> Augšējais plaukts                                 |
| <b>9</b> Svaigie produkti                             | <b>21</b> Olu paplāte (iekšpusē)                            |
| <b>10</b> Pagriežams ledus gabaliņu trauks (iekšpusē) | <b>22</b> Plaukta pārsegs                                   |
| <b>11</b> Pasniegšanas paplāte                        | <b>23</b> Ledusskapja gaismas diožu apgaismojums (iekšpusē) |
| <b>12</b> Rullīši                                     |   |



## 4.2 Ierīces 2. skats



**24** Displeja panelis

**25** Aukstā ūdens dozators


**26** Rokturi

**27** Saldētavas durvis

**28** Ledusskapja durvis

**Piezīme.** Tā kā mēs pastāvīgi pilnveidojam savus izstrādājumus, jūsu iegādātais ledusskapis var nedaudz atšķirties no attēlā redzamā, bet tā funkcijas un lietošanas metodes ir nemainīgas.

**Piezīme.** Lai sasniegtu optimālu šī izstrādājuma energoefektivitāti, visus plauktus, atvilktnes un grozus novietojiet tiem paredzētajā vietā, kā norādīts attēlā.

	<p> Šī ierīce tiek tirgota Francijā. Saskaņā ar šajā valstī spēkā esošajiem noteikumiem tā jānodrošina ar speciālu ierīci (skatiet attēlu), kas tiek novietota ledusskapja apakšējā nodaļumā, lai norādītu tā aukstāko zonu.</p>
--	---

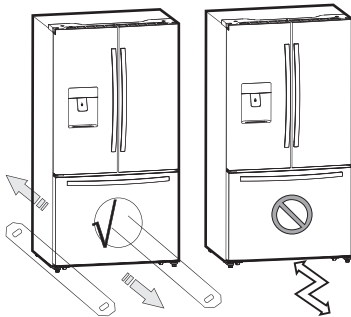
## 5. JAUNAS IERĪCES UZSTĀDĪŠANA

Šajā sadaļā ir aprakstīta jaunas ierīces uzstādīšana pirms tās pirmās lietošanas reizes. Ieteicams izlasīt tālāk norādītos padomus.

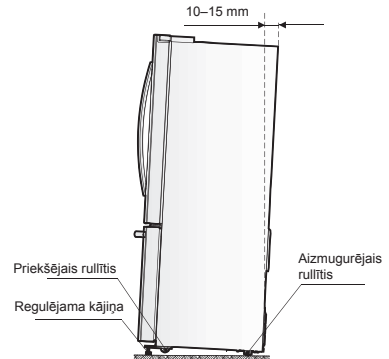


### BRĪDINĀJUMS!

Lai pareizi veiktu uzstādīšanu, šis ledusskapis ir jānovieto uz līdzenas, cietas virsmas, kas ir tādā pašā augstumā kā pārējā grīda. Sai virsmai ir jābūt pietiekami izturīgai, lai uz tās varētu atrasties pilnībā piepildīts ledusskapis vai aptuveni 120 kg (266 mārciņas). Pārvietojot ierīci, izvelciet un bīdīet to taisnā virzienā.



- Griežot kājiņas 1~2 apgriezienus, sasveriet augšdaļu uz aizmuguri par aptuveni 10–15 mm. Tādējādi tiek nodrošināts, ka durvis pašas aizveras un ir atbilstoši noblīvētas.
- Ja ierīce ir jāpārvieto, pagrieziet kājiņas augšup, lai ierīce varētu brīvi rīpot. Pēc ierīces pārvietošanas atkārtoti veiciet uzstādīšanu.



### BRĪDINĀJUMS!

Rullīši, kuri nav riteņi, ir jālieto tikai kustībai uz priekšu vai atpakaļ. Pārvietojot ledusskapi uz sāniem, var tikt sabojāta grīda un rullīši.

Klase	Simbols	Apkārtojams temperatūras diapazons (°C)
Plašs temperatūras diapazons	SN	no +10 līdz +32
Mērens klimats	N	no +16 līdz +32
Subtropu klimats	ST	no +16 līdz +38
Tropu klimats	G	no +16 līdz +43

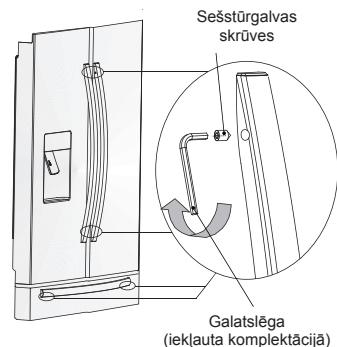
### 5.1 Ierīces līmeņošana

Lai pareizi nolīmeņotu ierīci un novērstu vibrācijas, šī ierīce ir aprīkota ar regulējamām priekšējām kājiņām. Lūdzu, veiciet līmeņošānu, izpildot tālāk norādītās darbības.

- Novietojiet ierīci vietā.
- Grieziet regulējamās kājiņas (ar pirkstiem vai atbilstošu uzgriežņatslēgu), līdz tās pieskaras pie grīdas.

### 5.2 Durvju roktura regulēšana

Pirms ledusskapja lietošanas pārbaudiet tā rokturus. Ja rokturi ir vajāgi, noregulējiet tos, griežot galatslēgu pulksteņrādītāju kustības virzienā, līdz rokturi ir nostiprināti vietā. Katram rokturim ir 2 skrūves.

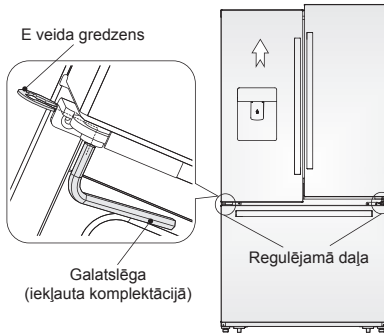






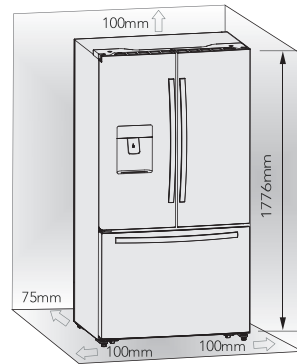
### 5.3 Durvju regulēšana

- Kreisās un labās puses durvis ir aprīkotas ar regulējamām asīm, kas atrodas apakšējās eņģēs.
- Pirms durvju regulēšanas nolīmeņojiet ledusskapi. Skatiet iepriekšējo sadaļu Ierīces līmeņošana. Ja konstatējat, ka durvju augšdaļa nav vienā līmenī, eņģu asī ievietojiet galatslēgu un grieziet to pulksteņrādītāju kustības virzienā, lai paceltu durvis, vai pretēji pulksteņrādītāju kustības virzienam, lai nolaistu durvis, un spraugā ievietojiet E veida gredzenu.

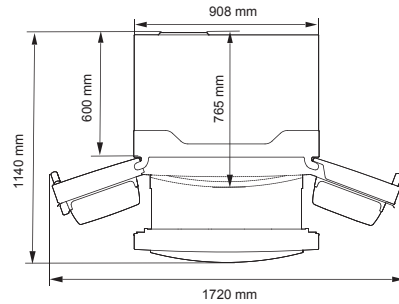


### 5.4 Ierīces ventilācija

Lai uzlabotu dzesēšanas sistēmas efektivitāti un taupītu enerģiju, ap ierīci ir jāuztur pietiekama ventilācija, tādējādi izkliedējot siltumu. Šim nolūkam ir jānodrošina pietiekami daudz vietas ap ledusskapi un šajā zonā nedrīkst atrasties nekādi šķēršļi, kas ietekmē gaisa cirkulāciju.



**Ieteikumi.** Lai nodrošinātu labāku ierīces darbību, ievērojiet attēlā parādītos attālumus.

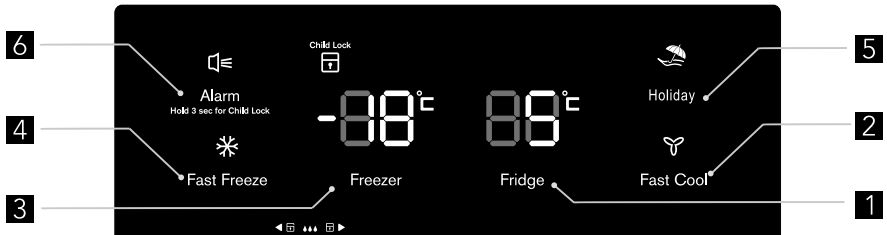


## 6. DISPLEJA VADĪBAS IERĪCES

Visas ierīces funkcijas un vadības ierīces ir pieejamas uz ledusskapja durvīm uzstādītajā vadības panelī. Izmantojot skārienpogu tastatūru un digitālo displeju, iespējams viegli un ērti konfigurēt funkcijas un iestatījumus.

**Svarīgi!** Lai skārienpogas darbotos, tās ir tikai nedaudz jānospiež. Darbība notiek, kad pirksts tiek atlaists no pogas, nevis tad, kad poga tiek nospiesta. Darbībām ar tastatūru nav jālieto spēks. Lai aktivizētu funkciju Child Lock, poga

Alarm ir jānospiež un jātur nospiesta vismaz 3 sekundes. Papildinformāciju skatiet šīs rokasgrāmatas attiecīgajās sadaļās. Vadības panelis sastāv no divām temperatūras zonām, piecām dažādu režīmu ikonām un sešām skārienpogām. Kad ierīce tiek ieslēgta pirmo reizi, displeja panelī iedegas ikonu fona apgaismojums. Ja netiek nospiesta neviena poga un durvis ir aizvērtas, fona apgaismojums nodziest pēc 60 sekundēm.



### Temperatūras kontrole

Ieslēdzot ledusskapi pirmo reizi, ledusskapja nodaļuma temperatūru ieteicams iestatīt uz 5 °C un saldētavas temperatūru — uz -18 °C. Ja vēlaties mainīt temperatūru, izpildiet tālāk sniegtos norādījumus.

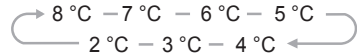


#### UZMANĪBU!

Iestatot temperatūru, tiek iestatīta visa ledusskapja nodaļuma vidējā temperatūra. Temperatūra katrā nodaļumā var atšķirties no displeja panelī rādītās temperatūras vērtības atkarībā no ievietotā pārtikas daudzuma un tās novietojuma. Arī apkārtējās vides temperatūra var ietekmēt faktisko temperatūru ierīces iekšpusē.

### 6.1 Ledusskapis

Spiediet pogu Fridge vairākas reizes, lai iestatītu ledusskapja temperatūru diapazonā no 8 °C līdz 2 °C. Ar katru nospišanas reizi temperatūra tiek pazemināta par 1 °C, un ledusskapja temperatūras indikators rāda attiecīgo vērtību atbilstoši tālāk norādītajai secībai.



### 6.2 Fast Cool

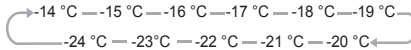


Ja nepieciešams ievietot lielu daudzumu siltas pārtikas, piemēram, pēc iepirkšanās pārtikas veikālā, mēs iesakām aktivizēt funkciju Fast Cool, lai atdzesētu produktus ātrāk un nepaaugstinātu citas ledusskapī esošās pārtikas temperatūru.

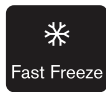
- Lai aktivizētu šo funkciju, nospiediet pogu Fast Cool. Iedegas ikona Super Cool, un ledusskapja temperatūras indikators rāda 2 °C.
- Pēc 6 stundām funkcija Super Cool automātiski izslēdzas.
- Nospiediet pogu Fast Cool vai Fridge, lai atceltu paātrinātās dzesēšanas režīmu un atgrieztu iepriekšējo temperatūras iestatījumu.

### 6.3 Freeze

Nospiediet pogu Freezer, lai saldētavas temperatūru iestatītu diapazonā no -14 °C līdz -24 °C atkarībā no nepieciešamības, un saldētavas temperatūras indikators rādīs attiecīgo vērtību atbilstoši tālāk norādītajai secībai.



### 6.4 Fast Freeze



Funkcija Super Freeze var ātri pazemināt saldēšanas temperatūru un sasaldēt produktus ievērojami ātrāk nekā parasti.

Nospiediet pogu Fast Freeze, lai aktivizētu funkciju Super Freeze. Iedegas ikona Super Freeze, un saldētavas temperatūras iestatījums rāda -24 °C.

- Pirmajā lietošanas reizē vai pēc ilgākas nelietošanas darbiniet ierīci 6 stundas parastā režīmā un tikai tad pārslēdziet uz režīmu Super Freeze. Tas ir īpaši svarīgi, ja saldētavā ir ievietots liels pārtikas daudzums.
- Režīms Super Freeze automātiski izslēdzas pēc 26 stundām, un saldētavas temperatūra tiek iestatīta zem -20 °C.
- Nospiediet pogu Fast Freeze vai Freezer, lai atceltu paātrinātās sasaldēšanas režīmu un atgrieztu iepriekšējo temperatūras iestatījumu.

**Piezīme.** Iestatot funkciju Super Freeze, pārliecinieties, vai saldētavas nodalījumā nav ievietoti dzērieni pudelēs vai kārbās (it īpaši gāzēti dzērieni). Pudeles un kārbas var pārsprāgt.

### 6.5 Holiday



Šī funkcija ir paredzēta enerģijas patēriņa un elektrības izmaksu samazināšanai, kad saldētava ilgāku laiku netiek lietota. Šo funkciju

var aktivizēt, nospiežot pogu Holiday uz īsu brīdi, līdz iedegas ikona Holiday.

**Svarīgi!** Šajā laikā neuzglabājiet ledusskapja kamerā pārtikas produktus.

- Kad funkcija Holiday ir aktivizēta, ledusskapja temperatūra tiek automātiski pārslēgta uz 15 °C, lai samazinātu enerģijas patēriņu. Ledusskapja temperatūras iestatījums rāda “-”, un saldētavas nodalījums turpina darboties.
- Nospiediet pogu Holiday, lai atceltu režīmu Holiday un atgrieztu iepriekšējo temperatūras iestatījumu.

### 6.6 Brīdinājums



Brīdinājuma gadījumā iedegas ikona Alarm un atskan skaņas signāls.

Nospiediet pogu Alarm, lai apturētu brīdinājumu un atslēgtu skaņas signālu; pēc tam ikona Alarm noziedst.



#### UZMANĪBU!

Kad ledusskapis tiek ieslēgts pēc ilgākas dīkstāves, tiek aktivizēts brīdinājums. Šajā gadījumā nospiediet pogu Alarm, lai to atceltu.

### Durvju brīdinājuma signāls

Izgaismota brīdinājuma ikona un skaņas signāls norāda normām neatbilstošu stāvokli, piemēram, nejauši atstātas atvērtas durvis vai strāvas padeves pārtraukumu.

- Atstājot ledusskapja vai saldētavas durvis atvērtas ilgāk par 2 minūtēm, tiek aktivizēts durvju brīdinājums un skaņas signāls. Skaņas signāls skan 10 minūtes 3 reizes minūtē. Aizverot durvis, durvju brīdinājums un skaņas signāls tiek atcelts.
- Lai taupītu enerģiju, neatstājiet ledusskapja durvis atvērtas ilgu laiku. Durvju brīdinājumu var arī atcelt, aizverot durvis.

## Temperatūras brīdinājums

Šī ir svarīga funkcija, kas brīdina lietotājus par iespējamiem uzglabātās pārtikas bojājumiem. Strāvas padeves kļūmes, piemēram, elektropadeves pārtraukuma, gadījumā jūsu prombūtnes laikā, temperatūras brīdinājums saglabā atmiņā iepriekšējo saldētavas temperatūru un aktivizē to, kad elektropadeve tiek atjaunota; t. i., visticamāk tiek sasniegta sasaldēto produktu maksimālā temperatūra.

Ja temperatūras rādījums ir augstāks par  $-9^{\circ}\text{C}$ , brīdinājuma lampiņa un skaņas signāls norāda temperatūras traucsmes stāvokli, proti:

a- brīdinājuma lampiņa iedegas;

b- saldētavas temperatūras indikators rāda "H";

c- skaņas signāls atskan 10 reizes, kad brīdinājums tiek aktivizēts, un automātiski apklus.

## Child Lock



Lai aktivizētu funkciju Child Lock, nospiediet pogu Alarm un turiet to nospiestu 3 sekundes.

Šādi tiek atspējots displejs,

lai iestatījumus nevarētu nejauši izmainīt. Šajā laikā deg ikona Child Lock.

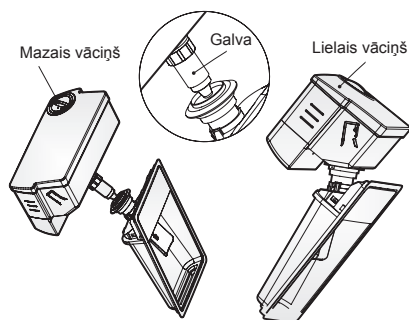
- Lai deaktivizētu funkciju Child Lock, nospiediet pogu Alarm un turiet to nospiestu 3 sekundes. Ikona Child Lock nodziest.

# 7. IERĪCES LIETOŠANA

## 7.1 Aukstā ūdens dozators

Ledusskapja kreiso durvju iekšpusē esošais aukstā ūdens dozators tiek izmantots dzeramā ūdens uzglabāšanai. Šādi var piekļūt atdzesētam dzeramajam ūdenim, neatverot ledusskapja durvis.

- Tīrīšana**  
Iztīriet ūdens dozatoru pirms pirmās lietošanas.
  - darbība. Izvelciet ūdens dozatoru.
  - darbība. Izmazgājiet to ar tīru ūdeni.
  - darbība. Nosusiniet to.
- Salikšana**  
Lai saliktu dozatoru, izpildiet tālāk sniegtos norādījumus.
  - Stingri satveriet abas ūdens tvertnes puses, paceliet to un izņemiet no durvju nodalījuma.
  - Atskrūvējiet tvertnes galvu, griežot to pretēji pulksteņrādītāju kustības virzienam.
  - Ievietojiet ūdens tvertni durvīs un bīdiet to, līdz dzirdat klikšķi.



### BRĪDINĀJUMS!

Ievietojot ūdens tvertni, vispirms pārlicinieties, ka tvertnes galva pareizi iegul atverē.

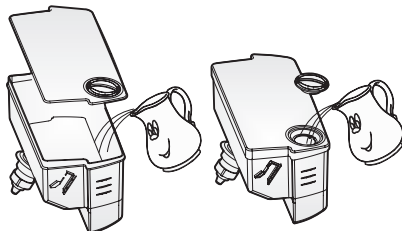
### Ūdens uzpilde

Pirms dzeramā ūdens uzpildes ūdens tvertnē pārlicinieties, ka ūdens tvertne ir stabila un pareizi novietota. Lai nepārpildītu tvertni un ūdens neizšļakstītos, uzpildiet ūdens tvertni zem maksimālā līmeņa atzīmes, kas ir aptuveni 4,0 l. Ūdens tvertni var uzpildīt divos tālāk norādītajos veidos.

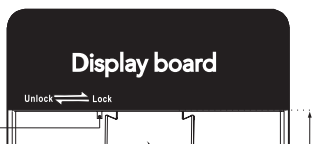
- Noņemiet mazo tvertnes vāciņu un uzpildiet ūdeni no lielā vāciņa ietilpdes.
- Noņemiet lielo tvertnes vāciņu un uzpildiet ūdeni tieši.

**UZMANĪBU!**

Ūdens tvertnē drīkst liet tikai ūdeni.



- **Bloķēšana**  
Pirms ūdens ņemšanas pārlicinieties, vai ūdens dozators ir atbloķētā pozīcijā. Bloķēšanas ierīce ir zem displeja paneļa, kā redzams attēlā tālāk.



Bloķēšanas ierīce

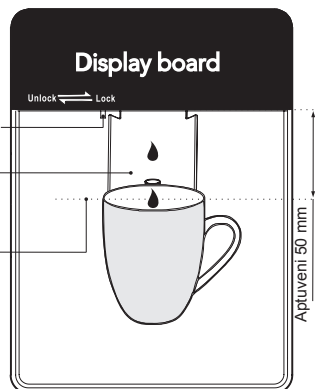
**BRĪDINĀJUMS!**

Bloķēšanas funkcija tiek izmantota ierīces bloķēšanai. Ja dozators ir bloķētā pozīcijā, nespiediet dozatora sviru ar spēku. Tādējādi iespējams sabojāt vai salauzt dozatoru.

- Ūdens dozatora izmantošana  
Zem ūdens dozatora ir jānovieto piemērota izmēra krūzīte.

**BRĪDINĀJUMS!**

Neizvelciet ūdens dozatora sviru, ja zem tā nav krūzītes. Šādi var rasties ūdens noplūde no dozatora. Ja ūdens dozators netiek lietots, neatvienojiet ūdens padeves ierīci, lai novērstu aukstā gaisa noplūdi.



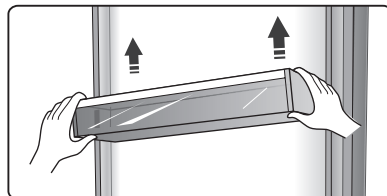
**Piezīme.** Ja ūdens dozators tiek lietots bieži, uz paplātes var pilēt ūdens un tā var pārplūst. Pēc nepieciešamības nosusiniet paplāti ar dvieli.

## 7.2 Durvju plaukts

Ledusskapja kamera ir aprīkota ar durvju plauktiem, kas ir piemēroti kārbu, pudeļu un iepakotu pārtikas produktu uzglabāšanai. Durvju plauktos neievietojiet lielu daudzumu smagu pārtikas produktu.

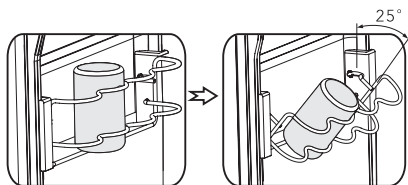
- Durvju vidējo plauktu var novietot dažādā augstumā atbilstoši vajadzībām. Iztukšojiet plauktu pirms tā pacelšanas izņemšanai. Pēc tam novietojiet plauktu vēlamajā augstumā.

**Piezīme.** Komplektācijā ietilpst olu paplāte, kas jānovieto durvju augšējā plauktā.



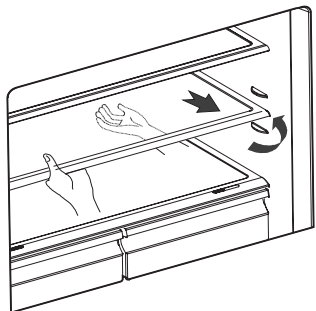
## 7.3 Kārbu plaukts

- Standartaprīkojumā šis plaukts ir paredzēts maksimāli 4 konservu kārbu uzglabāšanai, bet tas nav piemērots tādu konservu kārbu uzglabāšanai, kuru diametrs ir mazāks par 50 mm. Plauktu var arī pagriezt 25° leņķī, lai atvieglotu dzērienu uzglabāšanu un izņemšanu.

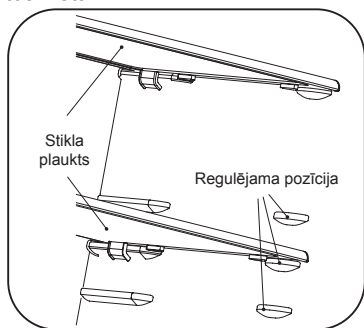


## 7.4 Stikla plaukti

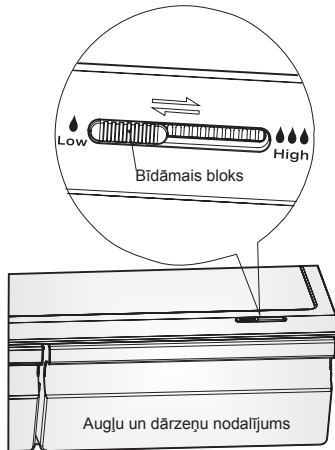
Ledusskapja kamera ir aprīkota ar diviem stikla plauktiem. Augšējam plauktam ir paredzēts tikai viens iespējamais novietojums, apakšējā plaukta novietojumu var mainīt. Apakšējam plauktam ir iespējamās trīs pozīcijas. Noregulējiet plaukta augstumu pēc vajadzības.



- Izņemot plauktus, viegli velciet tos uz priekšu, līdz tie izbīdās no vadotnēm.
- Ievietojot plauktus, pārliecinieties, ka aiz tiem nav šķēršļu, un viegli bīdīet tos vietā.



## 7.5 Augļu un dārzeņu nodalījums un mitruma vadības ierīce

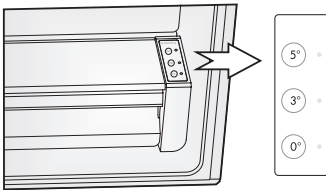


Augļu un dārzeņu nodalījums, kas ir uzstādīts uz teleskopiskiem slīdņiem, ir paredzēts dārzeņu un augļu uzglabāšanai. Izmantojot bīdāmo bloku, var regulēt mitruma nodalījuma iekšpusē.

- Mitruma vadības ierīce pielāgo gaisa plūsmu augļu un dārzeņu uzglabāšanas nodalījumā. Jo lielāka gaisa plūsma, jo mazāks mitrums. Bīdīet mitruma vadības ierīci uz labo pusi, lai palielinātu mitrumu.
- Augsta mitruma iestatījumi ir ieteicami dārzeņu uzglabāšanai, bet zema mitruma iestatījumi — augļu uzglabāšanai.
- Lai izņemtu un iztīrītu augļu un dārzeņu nodalījumu vai saldētavas atvilktni, ievērojiet tālāk sniegtos vienkāršos norādījumus. Iztukšojiet augļu un dārzeņu nodalījumu un izvelciet to pilnīgi atvērtā pozīcijā. Paceliet augļu un dārzeņu nodalījumu no sānu slīdņiem. Pilnībā iebīdīet slīdņus, lai neradītu bojājumus durvju aizvēršanas laikā.

## 7.6 FRESH ZONE. Precīza temperatūras vadība (papildaprīkojums)

Pārtikas produktus var ilgi uzglabāt svaigus, ja tie tiek uzglabāti piemērotā temperatūrā, bet dažādiem produktu veidiem ir nepieciešama atšķirīga uzglabāšanas temperatūra. Atvilktnes labajā pusē ir atdzesēšanas atvilktnes displejs. Nodalījuma temperatūru var iestatīt uz 0 °C, 3 °C un 5 °C, lai pielāgotu to gaļas, augļu un dārzeņu vai gastronomijas produktu uzglabāšanai, izmantojot pogas "FRESH ZONE". Lai produktus uzglabātu atbilstoši konkrētajām vajadzībām, skatiet tālāk esošo ieteicamo iestatījumu tabulu.



Gastr. prod. [5 °C]	Dārz. [3 °C]	0 °C [0 °C]
Siers	Gurķi	Steiks
Šķiņķis	Salātu lapas	Zivs
Salami	Apelsīni	Gaļas uzkodas
Oļīvas	Kukurūza	Mājputnu gaļa

## 7.7 Ledusskapja kameras izmantošana

Ledusskapja kamera ir piemērota dārzeņu un augļu uzglabāšanai. Ieteicams atdalīt dažādus pārtikas produktus, lai produkti nezaudētu mitrumu vai produktu garša neiesūktos citos produktos.



### UZMANĪBU!

Nedrīkst aizvērt durvis, ja plaukti, augļu un dārzeņu nodalījums un/vai teleskopiskie slīdņi ir izvīrīti. Tā var sabojāt ierīci.

## 7.8 Saldētavas atvilktnes izmantošana

Saldētavas atvilktnē ir piemērota tādu pārtikas produktu uzglabāšanai, kas ir jāsasaldē, piemēram, gaļas, saldējuma un citu produktu uzglabāšanai.

Lai izņemtu saldētavas atvilktni, izvelciet to pilnībā, sasveriet pasniegšanas paplāti un izceliet to, pēc tam atveriet ledusskapja durvis līdz maksimālajam leņķim, apakšējo saldētavas atvilktni var izņemt, kā redzams attēlos tālāk.

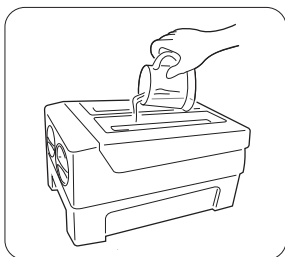


### UZMANĪBU!

Neļaujiet mazuļiem un bērniem kāpt ledusskapī, jo viņi var gūt traumas vai sabojāt ledusskapi. Nesēdīet uz saldētavas durvīm. Durvis var saplīst. Neļaujiet bērniem kāpt saldētavas grozā. Ja izņemat atdalītāju, lai iztīrītu groza nodalījumu, pēc tīrīšanas ievietojiet to atpakaļ, lai bērni nevarētu tikt iesprostoti groza iekšpusē.

## 7.9 Grozāmais ledus gabaliņu trauks

- Grozāmais ledus gabaliņu trauks tiek ievietots augšējā saldētavas atvilktnē, lai sasaldētu un uzglabātu ledus gabaliņus,
  - Piepildiet to ar dzeramo ūdeni zem maksimālā līmeņa atzīmes.
  - Ievietojiet piepildīto ledus gabaliņu trauku kronšteinā.
  - Uzgaidiet aptuveni 3 stundas, pagrieziet pogas pulksteņrādītāju kustības virzienā, un ledus iekritis apakšā esošajā ledus gabaliņu kārbā.



4. Ledus gabaliņus var uzglabāt ledus gabaliņu kārbā. Kad nepieciešams, izvelciet ledus gabaliņu kārbu un izņemiet ledus gabaliņus.

**Piezīme.** Ja ledus gabaliņu trauks tiek izmantots pirmo reizi vai tas nav lietots ilgāku laiku, iztīriet to pirms lietošanas.

## 8. NODERĪGI IETEIKUMI UN PADOMI

### 8.1 Padomi enerģijas taupīšanai

Iesakām ievērot tālāk sniegtos padomus, lai taupītu enerģiju.

- Lai saglabātu enerģiju, neatstājiet ierīces durvis ilgstoši atvērtas.
- Nenovietojiet ierīci jebkādu karstuma avotu tuvumā (tiešā saules gaismā, blakus elektriskajām krāsnīm vai plītiem utt.).
- Neiestatiet temperatūru zemāk par nepieciešamo.
- Neuzglabājiet ledusskapī siltus produktus vai iztvaikojošus šķidrumus.
- Novietojiet ierīci labi ventilētā telpā, kur neuzkrājas mitrums. Skatiet sadaļu Jaunas ierīces uzstādīšana.
- Sadaļas ierīces apraksts 1. skatā ir redzams pareizais atvilktnju, augļu un dārzeņu nodalījuma un plauktu izkārtojums. Nemainiet izkārtojumu, jo šāds izkārtojums visvairāk ekonomē enerģiju.

#### Padomi par svaigu produktu uzglabāšanu ledusskapī

- Neievietojiet karstus produktus ledusskapī un saldētavā; šādā gadījumā iekšējā temperatūra paaugstinās, palielinot kompresora slodzi un patērējot vairāk enerģijas.
- Pārklājiet vai iesaiņojiet produktus, it īpaši tos, kuriem piemīt spēcīgs aromāts.
- Novietojiet produktus tā, lai ap tiem varētu brīvi cirkulēt gaiss.

#### Padomi par produktu uzglabāšanu

- Gaļa (visu veidu): iesaiņojiet polietilēna maisiņos un novietojiet uz stikla plaukta virs dārzeņu atvilktnes.

Vienmēr ievērojiet pārtikas produktu uzglabāšanas laiku un izlietojiet tos līdz ražotāja ieteiktajam derīguma termiņam.

- Gatavie ēdieni, aukstie ēdieni u. c.: apsedziet un novietojiet jebkurā plauktā.
- Augļi un dārzeņi: uzglabājiet komplektā iekļautajā īpašajā dārzeņu atvilktnē.
- Sviests un siers: ietiniet gaisu necaurlaidīgā folijā vai pārtikas plēvē.
- Piena pudeles: aizvākojiet un uzglabājiet pudeļu plauktos durvju iekšpusē.

### 8.2 Padomi par produktu sasaldēšanu

- Iesaldējot ierīci pirmo reizi vai arī pēc ierīces ilgstošas neizmantošanas, pirms produktu ievietošanas nodalījumā ļaujiet ierīcei darboties vismaz 2 stundas ar visaugstākajiem iestatījumiem.
- Sagatavojiet produktus nelielās porcijās, lai paātrinātu sasaldēšanu un pēc tam izmantotu tikai nepieciešamo daudzumu.
- Iesaiņojiet produktus alumīnija folijā vai plastmasas maisiņos, kas ir gaisu necaurlaidīgi.
- Neļaujiet svaigai, nesasaldētai pārtikai saskarties ar jau sasaldētiem produktiem, kuru temperatūra tādējādi var paaugstināties.





- Sasaldēti produkti, tos lietojot uzreiz pēc izņemšanas no saldētavas nodalījuma, var izraisīt ādas apsaldējumus.
- Katru saldēto produktu iepakojumu ieteicams marķēt un norādīt ievietošanas datumu, lai ievērotu glabāšanas laiku.

#### **Padomi par saldētu produktu uzglabāšanu**

- Pārliecinieties, vai saldētais produkts ir pareizi uzglabāts mazumtirdzniecības uzņēmumā.
- Tiklīdz produkti ir atkausēti, tie ātri bojājas un tos nedrīkst atkārtoti sasaldēt. Nepārsniedziet produktu ražotāja norādīto uzglabāšanas laiku.

## 9. TĪRĪŠANA UN APKOPE

Lai ievērotu higiēnas prasības, ierīce (tās ārējie un iekšējie piederumi) ir regulāri jātīra — vismaz reizi divos mēnešos.



#### **UZMANĪBU!**

Ierīce tīrīšanas laikā nedrīkst būt pievienota strāvas padeves avotam. Elektrošoka risks! Pirms tīrīšanas izslēdziet ierīci un atvienojiet kontaktdakšu no kontaktligzdas.

### 9.1 Ierīces ārpusē tīrīšana

Lai uzturētu atbilstošu ierīces ārējo izskatu, tā ir regulāri jātīra.

- Notīriet digitālo paneli un displeja paneli ar tīru un mīkstu drāniņu.
- Uzsmidziniet ūdeni uz tīrīšanas drāniņas, nevis tieši uz ierīces virsmas. Šādi tiek nodrošināta vienmērīga mitruma izklāšana pa virsmu.
- Tīriet durvis, rokturus un korpusa virsmu ar saudzīgu tīrīšanas līdzekli un noslaukiet tos ar mīkstu drāniņu.



#### **UZMANĪBU!**

- Nelietojiet asus priekšmetus, jo tie var saskrāpēt virsmu.
- Tīrīšanai nelietojiet šķīdinātājus, automašīnu mazgāšanas līdzekļus, hloru saturošus līdzekļus, ēteriskās eļļas, abrazīvos tīrīšanas līdzekļus vai organiskos šķīdinātājus, piemēram, benzolu. Tie var sabojāt ierīces virsmu un izraisīt aizdegšanos.

### 9.2 Ierīces iekšpusē tīrīšana

- Regulāri tīriet ierīces iekšpusi. Tīrīšanu veikt ir vienkāršāk, kad pārtikas uzkrājumi ir nelieli. Tīriet ledusskapja saldētavas iekšpusi ar vājas koncentrācijas dzeramās sodas šķīdumu un pēc tam skalojiet ar remdenu ūdeni, izmantojot izgrieztu sūkli vai drāniņu. Pirms plauktu un grozu ievietošanas noslaukiet iekšpusi pilnībā sausu. Pilnībā nosusiniet visas virsmas un izņemamās daļas.
- Lai gan šīs ierīces atkausēšana notiek automātiski, uz saldētavas nodalījuma iekšējām sienām var rasties sarmas slānis, ja saldētavas durvis tiek bieži atvērtas vai turētas atvērtas ilgāku laiku. Ja sarmas kārtā ir pārāk bieza, izvēlieties laiku, kad pārtikas krājumi nav lieli, un rīkojieties, kā aprakstīts tālāk.

1. Izņemiet esošos pārtikas produktus un piederumu grozus, atvienojiet ierīci no strāvas padeves un atstājiet durvis atvērtas. Lai paātrinātu atkuššanas procesu, kārtīgi ventilējiet telpu.
2. Kad atkausēšana ir pabeigta, tīriet saldētavu, kā aprakstīts iepriekš.



#### **UZMANĪBU!**

Nelietojiet asus priekšmetus, lai noņemtu apsarmojumu no saldētavas nodalījuma. Ierīci drīkst pievienot strāvas padevei un ieslēgt tikai pēc tam, kad iekšpuse ir pilnībā sausa.

## 9.3 Durvju blīvējuma tīršana

Pastāvīgi uzturiet tīru durvju blīvējumu. Piekaltušas ēdienu un dzērienu paliekas var izraisīt blīvējuma pielīšanu pie korpusa. Atverot durvis, blīvējums var pārplīst. Mazgājiet blīvējumu ar saudzīgu tīršanas līdzekli un remdenu ūdeni. Pēc tīršanas noskalojiet un rūpīgi nožāvējiet.



#### **UZMANĪBU!**

Ierīci drīkst ieslēgt tikai tad, ja durvju blīvējums ir pilnībā nožūvis.



#### **BRĪDINĀJUMS!**

Lietotājs nedrīkst mainīt gaismas diožu spuldzes! Ja gaismas diožu spuldzes ir bojātas, vērsieties pēc palīdzības klientu apkalpošanas dienestā.

## 10. PROBLĒMU NOVĒRŠANA

Ja ierīcei ir darbības traucējumi vai jums ir aizdomas, ka ierīce nedarbojas pareizi, pirms sazināšanās ar tehniskās apkalpes dienestu varat veikt dažas vienkāršas pārbaudes, kā norādīts tālāk.



#### **BRĪDINĀJUMS!**

Nemēģiniet patstāvīgi remontēt ierīci. Ja pēc tālāk norādīto pārbaužu veikšanas problēma nav novērsta, sazinieties ar kvalificētu elektriķi, pilnvarotu apkalpes inženieri vai tā veikala pārstāvi, kurā iegādājāties izstrādājumu.

Problēma	Iespējamais cēlonis un risinājums
Ierīce nedarbojas pareizi	Pārbaudiet, vai strāvas vada kontaktdakša ir atbilstoši pievienota kontaktligzdai.
	Pārbaudiet strāvas avota drošinātāju vai kontūru; nomainiet to, ja nepieciešams.
	Saldētava nedarbojas automātiskā atkausēšanas cikla laikā vai Tsu brīdi pēc ierīces ieslēgšanas, tādējādi aizsargājot kompresoru.
Aromāti no nodalījumiem	Iespējams, ledusskapja iekšpuse ir jātīra.
	Daži pārtikas produkti, trauki vai ietītie produkti var izdalīt aromātu.



Troksnis no ierīces	<p>Tālāk aprakstītās skaņas ir parastas ierīcei raksturīgās skaņas.</p> <p>Kompresora darbības trokšņi.</p> <ul style="list-style-type: none"><li>• Gaisa plūsmas troksnis no mazā ventilatora motora salīdzinājumā vai citiem nodalījumiem.</li><li>• Burbuļojoša skaņa, ka līdzinās ūdens vārīšanas skaņai.</li><li>• Kludzoša skaņa automātiskā atkausēšanas cikla laikā.</li><li>• Klikšķoša skaņa pirms kompresora palaišanas.</li></ul> <hr/> <p>Citas neparastas skaņas var rasties tālāk norādīto iemeslu dēļ, un jums tās ir jāpārbauda un jārikojas atbilstoši. Ierīce nav nolīmeņota.</p> <p>Ierīces aizmugurējā daļa pieskaras sienai. Pudeles vai trauki krīt un ripo.</p>
Motors darbojas nepārtukti	<p>Ir normāli, ka bieži ir dzirdama motora darbības skaņa, un tālāk norādītajos gadījumos motora darbības skaņa ir dzirdama biežāk.</p> <ul style="list-style-type: none"><li>• Temperatūras iestatījums ir aukstāks par nepieciešamo.</li><li>• Nesien ierīcē ir ievietots liels daudzums siltu pārtikas produktu.</li><li>• Temperatūra ārpus ierīces ir pārāk augsta.</li><li>• Durvis ir ilgstoši atstātas atvērtas.</li><li>• Pēc ierīces uzstādīšanas vai pēc ilgāka nelietošanas laika.</li></ul>
Nodalījumā ir izveidojies sarmas slānis	<p>Pārbaudiet, vai gaisa izplūdes atveres nav nosprostotas ar pārtikas produktiem un ievietojiet ierīcē pārtikas produktus šādā veidā, kas nodrošina pietiekamu ventilāciju. Nodrošiniet, lai ierīces durvis būtu pilnībā aizvērtas. Sarmas noņemšana ir aprakstīta sadaļā Tīrīšana un apkope.</p>
Ierīces iekšpusē ir pārāk augsta temperatūra	<p>Iespējams, durvis ir bijušas atvērtas pārāk ilgu laiku, tiek atvērtas/aizvērtas pārāk bieži vai kāds šķērslis traucē to aizvēršanai; vai ierīces sānos, aizmugurē vai augšējā daļā nav pietiekami daudz brīvās telpas.</p>
Ierīces iekšpusē ir pārāk zema temperatūra	<p>Lai paaugstinātu temperatūru, veiciet sadaļā Displeja vadības ierīces norādītās darbības.</p>
Durvis nevar viegli aizvērt	<p>Pārbaudiet, vai ledusskapis ir sasvērts uz aizmuguri par 10–15 mm, lai durvis varētu viegli aizvērties, kā arī pārbaudiet, vai iekšpusē neatrodas kāds priekšmets, kas traucē durvju aizvēršanai.</p>
Ūdens pil uz grīdas	<p>Iespējams, ūdens tvertne (kas atrodas korpusa aizmugurējās daļas apakšā) nav atbilstošā līmenī vai ūdens notecināšanas tekne (kas atrodas zem kompresora tvertnes augšējās daļas) nav atbilstoši novietota ūdens novadīšanai šajā tvertnē, vai arī ūdens tekne ir nosprostota. Lai pārbaudītu ūdens tvertni un tekni, ledusskapis ir jāatvelk no sienas.</p>

<p>Apgaismojums nedarbojas</p>	<p>Iespējams, gaismas diožu spuldzes ir izdegušas. Lai uzzinātu, kā nomainīt gaismas diožu spuldzes, skatiet sadaļu Tīrīšana un apkope. Vadības sistēma ir atslēgusi apgaismojumu, jo durvis ir atvērtas pārāk ilgu laiku. Aizveriet un vēlreiz atveriet durvis, lai ieslēgtu apgaismojumu.</p>
<p>Durvis nevar viegli atvērt</p>	<p>Pārbaudiet durvju blīvējumu un, ja nepieciešams, nofīriet gumijas starplikas blīvējumu ap durvju malām ar trauku mazgāšanas līdzekli un remdenu ūdeni. Neīrumi un nosēdumi var uzkrāties šajās vietās, izraisot durvju pielipšanu pie ledusskapja korpusa.</p>

## 11. IERĪCES LIKVIDĒŠANA

Šis ledusskapis ir izgatavots no atkārtoti lietojamiem materiāliem. Tas ir jālikvidē atbilstoši likvidēšanas brīdī spēkā esošajiem vietējiem atkritumu likvidēšanas noteikumiem. Ierīces aukstumaģenta kontūrā ir neliels daudzums aukstumaģenta (R600a). Jūsu drošībai pirms ierīces likvidēšanas izlasiet šīs lietošanas instrukcijas sadaļu Aukstumaģents un

aizdeģšanās risks. Ja ledusskapi paredzēts likvidēt, nogrieziet strāvas vadu un noņemiet durvju blīvējumu un fiksatoru. Rīkojieties uzmanīgi ar dzesēšanas sistēmu un nebojāji to, durot caurumus aukstumaģenta tvertnē, lokot caurulītes un/vai skrāpējot virsmas pārklājumu.

### Šī izstrādājuma pareiza likvidēšana



Simbols uz ierīces vai iepakojuma norāda, ka materiālu nevar izmest mājtsaimniecības atkritumos. Tas ir jānodod attiecīgajā elektriskā un elektroniskā aprīkojuma savākšanas un otrreizējās pārstrādes vietā. Nodrošinot šī izstrādājuma pareizu likvidēšanu, jūs palīdzat novērst negatīvu ietekmi uz vidi un cilvēku veselību, ko varētu radīt nepareiza atbrīvošanās no šī izstrādājuma. Lai iegūtu papildinformāciju par šī izstrādājuma pārstrādi, sazinieties ar vietējo pašvaldību, vietējo atkritumu savākšanas dienestu vai tā veikala pārstāvi, kurā iegādājāties šo produktu.



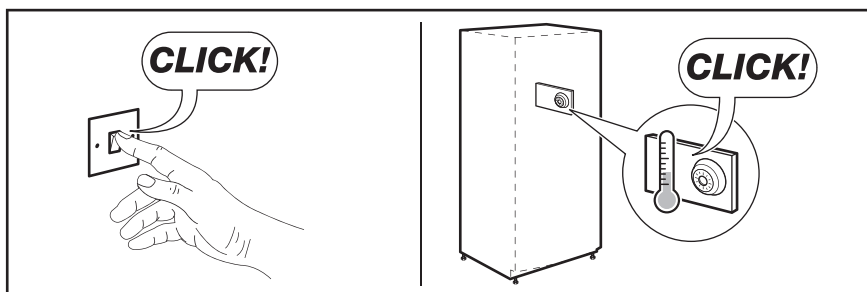
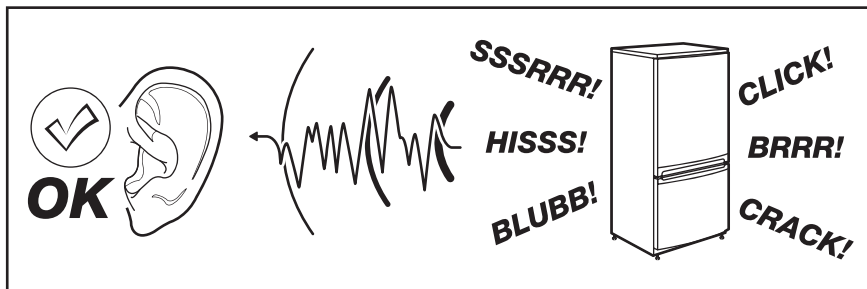
## 12. TEHNISKIE DATI

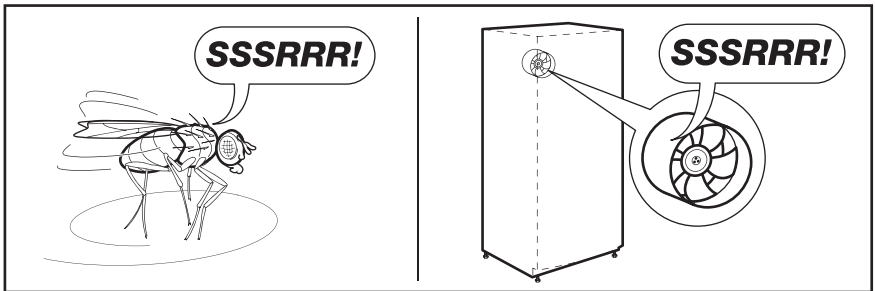
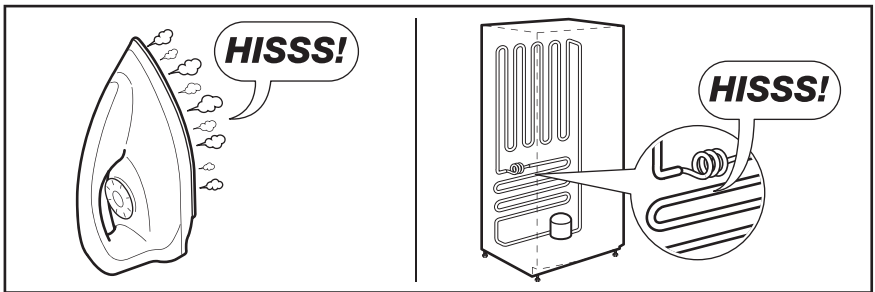
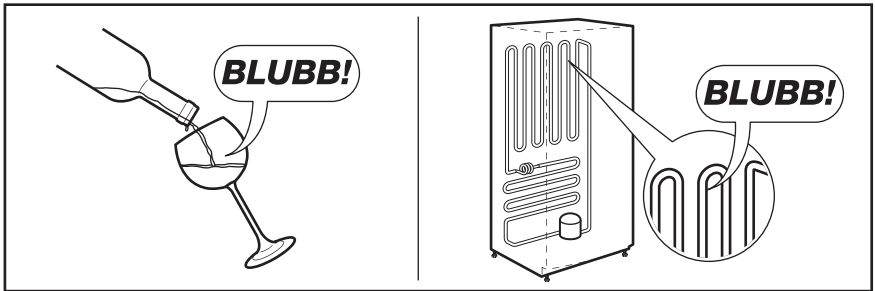
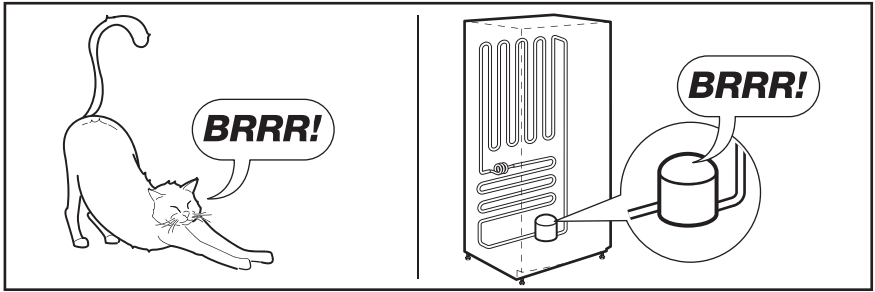
Izmērs	
Augstums	1766 mm
Platums	912 mm
Dziļums	765 mm
Uzglabāšanas ilgums strāvas padeves pārtraukuma gadījumā	12 h
Spriegums	220–240 V
Frekvence	50 Hz

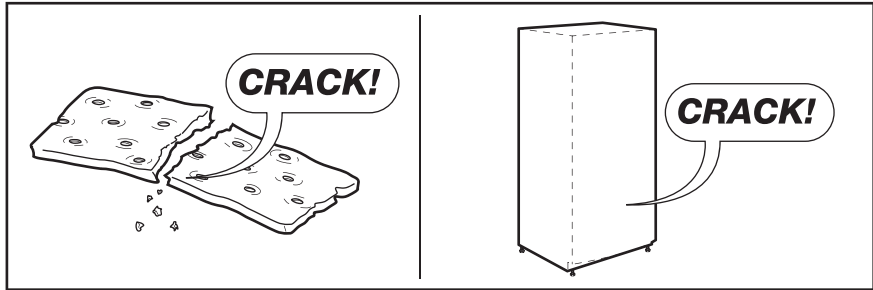
Tehniskā informācija atrodas ledusskapja iekšpusē, kreisajā pusē uz tehnisko datu plāksnītes un elektroenerģijas patēriņa marķējuma.

## 13. TROKŠŅI

Normālas darbības laikā var dzirdēt dažādas skaņas (kompresora, aukstumaģenta cirkulācijas).







# TURINYS

1. SAUGOS INFORMACIJA.....	113
2. SAUGOS NURODYMAI .....	114
3. APLINKOS APSAUGA .....	115
4. PRIETAISO APRAŠYMAS .....	116
5. JŪSŲ NAUJOJO PRIETAISO MONTAVIMAS.....	118
6. EKRANO VALDIKLIAI .....	120
7. PRIETAISO NAUDOJIMAS .....	122
8. NAUDINGI PATARIMAI .....	126
9. VALYMAS IR PRIEŽIŪRA .....	127
10. TRIKČIŲ ŠALINIMAS.....	128
11. PRIETAISO UTILIZAVIMAS .....	129
12. TECHNINIAI DUOMENYS .....	130
13. TRIUKŠMAS .....	130

## PUIKIEMS REZULTATAMS

Ačiū, kad pasirinkote šį „Electrolux“ prietaisą. Mes sukūrėme jį, kad galėtumėte džiaugtis neprikaištingu jo veikimu daugelį metų, naujomis technologijomis, kurios palengvina gyvenimą, ir funkcijomis, kurių nerasite įprastuose prietaisuose. Skirkite kelias minutes perskaityti instrukciją, kad galėtumėte jį kuo geriau panaudoti.

### Apsilankykite mūsų interneto svetainėje!



Ieškokite patarimų, kaip naudoti gaminį, lankstinukų, informacijos apie trikčių šalinimą ir techninę priežiūrą:  
**[www.electrolux.com](http://www.electrolux.com)**



Užregistruokite gaminį ir naudokitės aukštos kokybės paslaugomis:  
**[www.electrolux.com/productregistration](http://www.electrolux.com/productregistration)**



Įsigykite priedų, naudojimo reikmenų ir originalių prietaiso atsarginių dalių:  
**[www.electrolux.com/shop](http://www.electrolux.com/shop)**

## KLIENTŲ APTARNAVIMAS IR TECHNINĖ PRIEŽIŪRA

Naudokite tik originalias atsargines dalis.

Kreipdamiesi į aptarnavimo centrą, būtinai pateikite šią informaciją: modelį, PNC, serijos numerį.

Šiuos duomenis rasite techninių duomenų lentelėje.



Įspėjimas / atsargumo ir saugos informacija



Bendroji informacija ir patarimai



Aplinkos apsaugos informacija

Galimi pakeitimai iš anksto neįspėjus.





# 1. SAUGOS INFORMACIJA

Prieš įrengdami ir naudodami šį prietaisą, atidžiai perskaitykite pridėtą naudotojo instrukciją. Gamintojas neatsako už sužalojimus ir žalą, patirtą dėl netinkamo prietaiso įrengimo ir naudojimo. Visada laikykite šią naudotojo instrukciją šalia prietaiso, kad prireikus galėtumėte ja pasinaudoti.

## 1.1 Vaikų ir žmonių su negalia sauga

- Vaikai nuo 8 metų amžiaus ir asmenys, turintys psichinę, jutiminę ar protinę negalią arba stokojantys patirties ar žinių, šį prietaisą gali naudoti, jeigu jie yra prižiūrimi arba instruktuojami, kaip tai daryti saugiai, ir supranta atitinkamus pavojus.
- Neleiskite vaikams žaisti šiuo prietaisu.
- Neleiskite vaikams valyti ar taisyti šio prietaiso neprižiūrimiems.
- Visas pakuotės medžiagas laikykite vaikams nepasiekiamoje vietoje.

## 1.2 Bendrieji saugos reikalavimai

- Tai yra buitinės paskirties prietaisas, kurį galima naudoti, pavyzdžiui:
  - ūkiniuose pastatuose, parduotuvių ar biurų darbuotojų valgomuosiuose ir kitoje darbo aplinkoje;
  - klientams viešbučiuose, svečių namuose ir kitoje gyvenamoje aplinkoje.
- Pasirūpinkite, kad nebūtų užkimštos vėdinimo angos, esančios prietaiso korpuse ar įmontuotoje konstrukcijoje.
- Norėdami paspartinti atitirpinimo procesą, nenaudokite jokių mechaninių prietaisų ar kitų priemonių, išskyrus tas, kurias rekomenduoja gamintojas.
- Nepažeiskite šaltnešio schemas.
- Nenaudokite jokių elektrinių prietaisų maisto produktų laikymo skyriuose, išskyrus tuos, kuriuos rekomenduoja gamintojas.
- Nevalykite prietaiso garais ir nepurkškite ant jo vandens.
- Valykite prietaisą drėgna minkšta šluoste, naudokite tik neutralius valiklius. Nenaudokite šveičiamųjų valiklių, šveistikų, tirpiklių ar metalinių priemonių.
- Nelaiykite šiame prietaise sprogių medžiagų, pavyzdžiui, aerosolio skardinių su degiuoju propelentu.

- Pažeistą maitinimo laidą keisti leidžiama tik gamintojui, gamintojo klientų aptarnavimo atstovui arba panašios kvalifikacijos asmenims – antraip gali kilti pavojus.
- Jeigu prietaise įrengtas ledukų generatorius ar vandens skirstytuvas, pastarajam pripildyti naudokite tik išpilstytą vandenį.
- Jeigu prietaisą reikia prijungti prie vandens tiekimo šaltinio, rinkitės tik išpilstyto vandens tiekimo šaltinį.
- Įleidžiamo vandens slėgis (mažiausias ir didžiausias) turi būti nuo 1 (0,1 MPa) iki 10 barų (1 MPa).

## 2. SAUGOS NURODYMAI

### 2.1 Įrengimas



#### **ISPĖJIMAS!**

Šį prietaisą privalo įrengti tik kvalifikuotas asmuo.

- Nuimkite visas pakavimo medžiagas.
- Neįrenkite ir nenaudokite sugadinto prietaiso.
- Vadovaukitės kartu su prietaisu pateikta naudotojo instrukcija.
- Prietaisas yra sunkus – kelkite atsargiai. Visada mūvėkite apsaugines pirštines.
- Prietaisą statykite taip, kad aplink jį galėtų cirkuliuoti oras.
- Prieš jungdami prietaisą prie maitinimo tinklo, bent 4 valandas palaukite. Per tą laiką alyva sutekės atgal į kompresorių.
- Neįrenkite prietaiso šalia radiatoriaus, viryklės, orkaitės arba kaitlentės.
- Galinė šio prietaiso pusė turi būti atremta į sieną.
- Neįrenkite prietaiso tiesioginiais saulės spinduliais apšviečiamoje vietoje.
- Neįrenkite prietaiso pernelyg drėgnoje ar šaltoje vietoje, pavyzdžiui, statybiniame priestate, garaže ar vyno rūsyje.
- Prireikus kelkite prietaisą už priekinio krašto, kad nesubraižytumėte grindų.

### 2.2 Prijungimas prie maitinimo tinklo



#### **ISPĖJIMAS!**

Gaisro ir elektros smūgio pavojus.

- Prietaisą būtina įžeminti.
- Patikrinkite, ar elektros duomenys, nurodyti techninių duomenų lentelėje, atitinka jūsų maitinimo tinklo duomenis. Jei neatitinka, kreipkitės į elektriką.
- Visada naudokite tinkamai įrengtą, įžemintą elektros lizdą.
- Nenaudokite daugiakanalių kištukų, jungiklių ir ilginamųjų laidų.
- Būkite atsargūs, kad nesugadintumėte elektrinių dalių (pvz., kištuko, maitinimo laido, kompresoriaus). Iškvieskite techninės priežiūros centro atstovą arba elektriką, kad pakeistų elektrines dalis.
- Maitinimo laidas turi būti žemiau kištuko. Maitinimo laido kištuką į elektros lizdą junkite tik įrengę prietaisą iki galo. Įsitinkite, kad įrengus prietaisą, maitinimo laido kištuką bus lengva pasiekti. Norėdami išjungti prietaisą, traukite ne maitinimo laidą, o kištuką.

### 2.3 Naudojimas



#### **ISPĖJIMAS!**

Pavojus susižaloti, nudegti, gauti elektros smūgį arba sukelti gaisrą.


- Nekeiskite šio prietaiso techninių savybių.

- Nedėkite į prietaisą gamintojo nenurodytų elektrinių prietaisų (pvz., ledų gaminimo aparatų).
- Būkite atsargūs, kad nepažeistumėte šaltnešio schemos. Joje yra izobutano (R600a) – tai gamtinės dujos, kurios nedaro beveik jokios žalos aplinkai. Šios dujos lengvai užsiliepsnoja.
- Jeigu šaltnešio schema pažeista, patalpoje nedekite liepsnos ir saugokite prietaisą nuo uždegimo šaltinių. Gerai išvėdinkite patalpą.
- Prie plastikinių prietaiso dalių neturi liestis jokie įkaitę daiktai.
- Nelaikykite šaldiklyje gazuotų gėrimų, nes gėrimo indas bus veikiamas slėgio.
- Nelaikykite prietaise degių dujų ir skysčių.
- Šalia prietaiso, į prietaisą arba ant jo nedėkite degių produktų arba degiais produktais sudrėkintų daiktų.
- Nelieskite kompresoriaus arba kondensatoriaus – dažniausiai jie būna karšti.
- Nelieskite šaldiklyje esančių produktų drėgnomis arba šlapiomis rankomis.
- Neužšaldykite atšildyto maisto pakartotinai.
- Vadovaukitės ant šaldytų maisto produktų pakuočių pateiktais laikymo nurodymais.

## 2.4 Vidinė apšvietimo lemputė

- Šiame prietaise naudojamo tipo lemputė netinka namų patalpų apšvietimui.

## 3. APLINKOS APSAUGA

Medžiagas, pažymėtas ženklu , atiduokite perdirbti. Išmeskite pakuotę į atitinkamą atliekų konteinerį, kad ji būtų perdirbta. Padėkite saugoti aplinką bei žmonių sveikatą – rinkite ir atiduokite perdirbti elektros ir elektronikos prietaisų

## 2.5 Priežiūra ir valymas



### ISPĖJIMAS!

Galite susižeisti arba sugadinti prietaisą.

- Prieš atlikdami techninės priežiūros darbus, išjunkite prietaisą ir ištraukite maitinimo laido kištuką iš elektros lizdo.
- Šio prietaiso aušinimo įtaise yra angliavandenilio. Prietaiso techninės priežiūros ir pripildymo darbus turi atlikti tik kvalifikuotas asmuo.
- Reguliariai tikrinkite prietaiso vandens išleidimo kanalą ir, jei reikia, išvalykite jį. Išleidimo kanalui užsikimšus, tirpimo vanduo kaupsis prietaiso apačioje.


## 2.6 Prietaiso išmetimas



### ISPĖJIMAS!

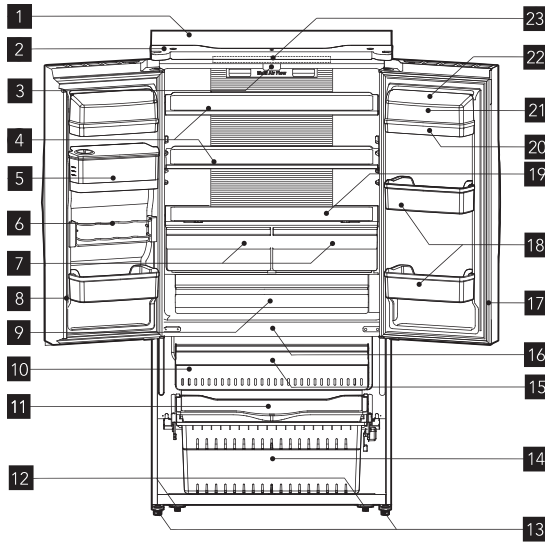
Pavojus susižeisti arba uždusti.

- Ištraukite maitinimo laido kištuką iš elektros lizdo.
- Maitinimo laidą nupjaukite ir išmeskite.
- Išimkite dureles, kad vaikai ir gyvūnai neužsitrenktų prietaiso viduje.
- Šio prietaiso šaltnešio schema ir izoliacinės medžiagos neardo ozono sluoksnio.
- Izoliaciniame putplastyje yra degių dujų. Norėdami sužinoti, kaip tinkamai išmesti prietaisą, susisiekite su atitinkama savivaldybės įstaiga.
- Nepažeiskite aušinimo įtaiso, esančio šalia šilumokačio.

atliekas. Neišmeskite ženklų  pažymėtų prietaisų kartu su kitomis buitinėmis atliekomis. Atiduokite šį prietaisą į vietos atliekų surinkimo skyrių arba susisiekite su vietos savivaldybe dėl papildomos informacijos.

## 4. PRIETAISO APRAŠYMAS

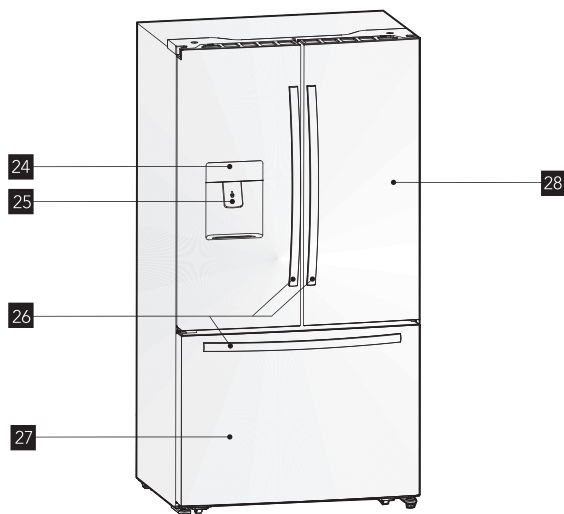
### 4.1 1 prietaiso vaizdas



- |   |  |
|---|--|
| <b>1</b> Korpusas   | <b>12</b> Ratukai                        |
| <b>2</b> Viršutinis dangtis                               | <b>13</b> Reguliuojamos apatinės kojelės |
| <b>3</b> Vertikaliosios pertvaros nukreipiamasis blokelis | <b>14</b> Apatinis šaldiklio stalčius    |
| <b>4</b> Stiklinė lentyna                                 | <b>15</b> Viršutinis šaldiklio stalčius  |
| <b>5</b> Dėžutė vandeniui                                 | <b>16</b> Šaldiklio LED lemputė (viduje) |
| <b>6</b> Reguliuojama lentyna skardinėms                  | <b>17</b> Šaldytuvo durelių tarpinė      |
| <b>7</b> Vaisių ir daržovių stalčius                      | <b>18</b> Apatinė lentyna                |
| <b>8</b> Vertikalios pertvaros dalis                      | <b>19</b> Stalčiaus dangtis              |
| <b>9</b> Švieži produktai                                 | <b>20</b> Viršutinė lentyna              |
| <b>10</b> Sukamas padėklas ledui (viduje)                 | <b>21</b> Kiaušinių dėklas (viduje)      |
| <b>11</b> Padėklas  | <b>22</b> Lentynos dangtis               |
|   | <b>23</b> Šaldytuvo LED lemputė (viduje) |



## 4.2 2 prietaiso vaizdas



**24** Valdymo skydelis

**25** Šalto vandens dalytuvas

**26** Rankenėlės

**27** Šaldiklio durelės

**28** Šaldytuvo durelės

**Pastaba:** mūsų prietaisai yra nuolat tobulinami, todėl jūsų šaldytuvas gali šiek tiek skirtis nuo parodyto paveikslėlyje, bet funkcijos ir naudojimo būdas yra toks pat.

**Pastaba:** kad šio gaminio elektros suvartojimas būtų kuo mažesnis, visos lentynos, stalčiai ir krepšiai turi būti jiems skirtose vietose, kaip parodyta paveikslėlyje.



Šį prietaisą galima įsigyti Prancūzijoje. Atsižvelgiant į šioje šalyje galiojančius teisės aktus, jis turi būti pateiktas su specialiu įtaisu (žr. paveikslėlį), įdėtu apatiniame šaldytuvo skyriuje, rodančiu šalčiausią jo sritį.

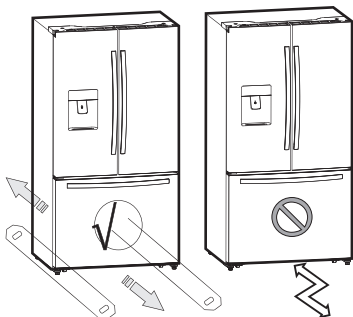
## 5. JŪSŲ NAUJOJO PRIETAISO MONTAVIMAS

Šiame skyriuje aptariamas naujojo prietaiso montavimas prieš naudojant jį pirmą kartą. Patarina perskaityti šį skyrių.



### ISPĖJIMAS!

Kad būtų tinkamai įrengtas, šis šaldytuvas turi būti pastatytas ant lygaus ir kieto paviršiaus, esančio tokiaame pačiame aukštyje kaip ir likusi grindų dangos dalis. Paviršius turi būti pakankamai tvirtas, kad išlaikytų visiškai pakrautą šaldytuvą, t. y. maždaug 120 kg (266 lb). Perkeliamas, ištraukiamas arba stumiamas šaldytuvas turi stovėti tiesiai. Patarimai.



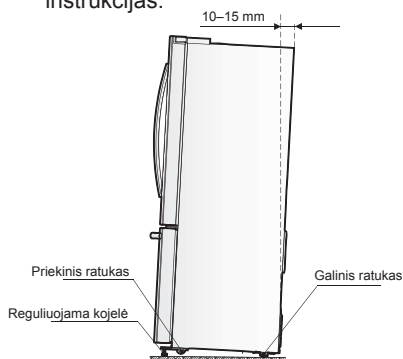
Klasė	Simbolis	Aplinkos temperatūra (°C)
Vidutinė išplėstinė	SN	Nuo +10 iki +32
Vidutinė	N	Nuo +16 iki +32
Subtropinė	ST	Nuo +16 iki +38
Tropinė	S	Nuo +16 iki +43

### 5.1 Prietaiso išlyginimas

Kad būtų tinkamai išlygintas ir siekiant išvengti virpesių, šio prietaiso priekyje įrengtos reguliuojamos kojelės. Išlyginkite šaldytuvą laikydamiesi šių nurodymų:

1. Pastumkite šaldytuvą į tinkamą vietą.
2. Sukite reguliuojamas kojeles (pirštais ar atitinkamu veržliarakčiu), kol jos palies grindis.

3. Pakreipkite viršutinę dalį atgal apie 10–15 mm, dar sukdami kojeles 1~2 kartus. Taip durys galės savaime sandariai užsidaryti.
4. Jei norėsite pastatyti prietaisą į kitą vietą, nepamirškite atsukti kojeles atgal, kad prietaisas galėtų laisvai riedėti. Pastatę į kitą vietą, sumontuokite prietaisą pagal čia nurodytas instrukcijas.

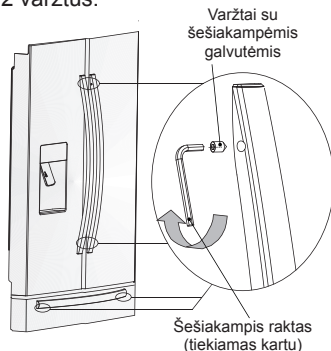


### ISPĖJIMAS!

Ratukai nesisuka į visas puses, todėl prietaisas gali būti stumiamas tik į priekį arba atgal. Stumdami šaldytuvą į šonus, galite sugadinti grindų dangą ir ratukus.

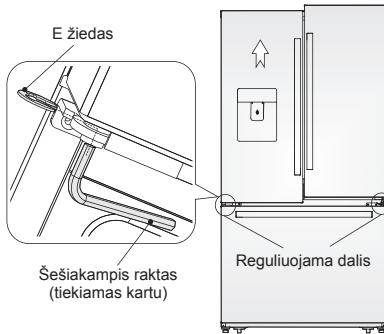
### 5.2 Durelių rankenų reguliavimas

Prieš naudodami prietaisą, patikrinkite jo rankenas. Jei rankenėlės nėra pritvirtintos, prisukite jas šešiakampiu raktu, sukdami pagal laikrodžio rodyklę, kol rankenos tvirtai laikysis. Kiekviena rankena turi 2 varžtus.



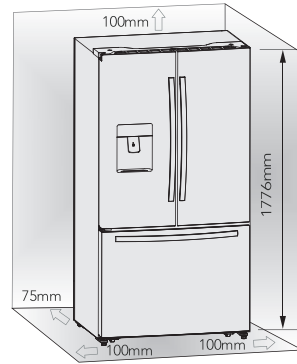
### 5.3 Durelių reguliavimas

- Kairiosios ir dešinėsios durelės turi reguliuojamas ašis, esančias apatinuose vyriuose.
- Prieš reguliuodami dureles, įsitinkite, kad šaldytuvas stovi lygiai. Žr. ankstesnį skyrių „Prietaiso lyginimas“. Jei pastebėjote, kad durų viršus yra nelygus, įdėkite šešiakampį raktą į vyrių ašį ir sukite pagal laikrodžio rodyklę, kad durelės pakiltų, arba prieš laikrodžio rodyklę, kad jos nuleistų, ir įdėkite E žiedą į tarpelį.

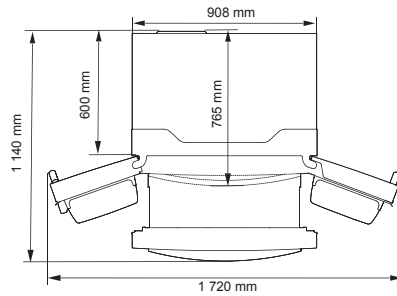


### 5.4 Prietaiso vėdinimas

Siekiant pagerinti aušinimo sistemos efektyvumą ir sumažinti energijos suvartojimą, aplink prietaisą būtina užtikrinti pakankamą vėdinimą, kad išsisklaidytų šiluma. Todėl reikia numatyti pakankamai vietos aplink šaldytuvą be jokių kliūčių, kurios trukdytų oro cirkuliacijai.



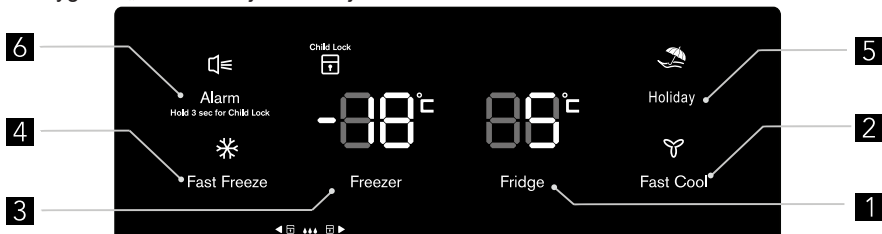
**Patarimas:** kad prietaisas tinkamai veiktų, išlaikykite paveikslėlyje nurodytus atstumus.



## 6. EKRANO VALDIKLIAI

Visos prietaiso funkcijos yra valdomos per valdymo skydelį, patogiai įtaisytą šaldytuvo durelėse. Jutiklinis skydelis ir skaitmeninis ekranas leidžia lengvai bei intuityviai konfigūruoti ir nustatyti prietaiso funkcijas.

**Svarbu!** Kad suveiktų jutiklinis mygtukas, jį reikia lengvai spustelėti. Veikimas prasideda atitraukus pirštą nuo mygtuko, o ne laikant jį paliestą. Klaviatūros nereikia stipriai spausti. Kad suveiktų su mygtuku „Alarm“ susijusi funkcija



### Temperatūros valdymas

Ijungiant prietaisą pirmą kartą, patartina nustatyti 5 °C šaldytuvo temperatūrą ir -18 °C šaldiklio temperatūrą. Jei norite pakeisti temperatūrą, atlikite toliau nurodytus veiksmus.

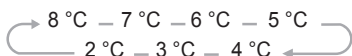


#### DĖMESIO!

Nustatydami temperatūrą, nustatote vidutinę temperatūrą visai šaldytuvo kamerai. Temperatūra kiekvienos kameros viduje gali skirtis nuo temperatūros reikšmių, rodomų skydelyje, atsižvelgiant į tai, kiek maisto laikoma šaldytuve ir kur maistas yra padėtas. Aplinkos temperatūra taip pat gali turėti įtakos faktiškai temperatūrai prietaiso viduje.

### 6.1 Šaldytuvus

Kelis kartus paspauskite mygtuką „Fridge“, kad nustatytumėte norimą temperatūrą nuo 8 iki 2 °C – kaskart paspaudus mygtuką, temperatūra mažės 1 °C ir šaldytuvo temperatūros indikatorius rodys atitinkamą vertę pagal toliau nurodomą seką.



„Child Lock“, mygtuką reikia paspausti ir palaikyti paspaustą bent 3 sekundes. Daugiau informacijos rasite atitinkamuose šios instrukcijos skyriuose. Valdymo skydelį sudaro dvi temperatūros rodmėnų sritys, penkios skirtingų režimų piktogramos ir šeši jutikliniai mygtukai. Ijungiant prietaisą pirmą kartą, skydelyje užsidega piktogramų apšvietimas. Jei nespaudžiami mygtukai ir durys lieka uždarytos, apšvietimas išsijungs po 60 sekundžių.

### 6.2 Režimas „Fast Cool“



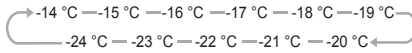
Jeigu jums reikia įdėti didelį kiekį šiltų maisto produktų, pavyzdžiui, apsipirkus bakalėjos parduotuvėje, rekomenduojame įjungti funkciją „Fast Cool“, kad produktai greičiau atšaltų ir jie nesušildytų šaldytuve jau esančių produktų.

- Paspauskite mygtuką „Fast Cool“, kad įjungtumėte šią funkciją. Užsidegs piktograma „Super Cool“, o šaldytuvo temperatūros indikatorius rodys 2 °C.
- Funkcija „Super cool“ automatiškai išsijungia po 6 valandų.
- Norėdami išjungti šį režimą, paspauskite „Fast Cool“ arba „Fridge“, kad grįžtumėte prie ankstesnių temperatūros nuostatų.

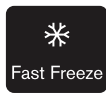


### 6.3 Šaldymas

Paspauskite mygtuką „Freezer“, kad nustatytumėte norimą šaldymo temperatūrą nuo -14 iki -24 °C – šaldiklio temperatūros indikatorius rodytų atitinkamą vertę pagal toliau nurodomą seką.



### 6.4 Greitasis užšaldymas



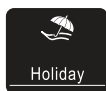
„Super Freeze“ gali greitai sumažinti šaldymo temperatūrą ir užšaldyti maistą gerokai greičiau nei įprasta.

Spauskite mygtuką „Fast Freeze“, kad įjungtumėte greitojo užšaldymo funkciją. Užsidegs piktograma „Super Freeze“, o šaldiklio temperatūros nuostata rodytų -24 °C.

- Įjungiant pirmą kartą arba prietaisui neveikus ilgesnį laiką, prieš pasirenkant „Super Freeze“ šaldytuvai turėtų 6 valandas veikti įprastai. Tai yra labai svarbu, jei į šaldiklį dedamas didelis kiekis maisto.
- „Super Freeze“ išsijungia automatiškai po 26 val., o šaldiklio temperatūra nusileidžia žemiau -20 °C.
- Norėdami išjungti šį režimą, paspauskite „Fast Freeze“ arba „Freezer“, kad grįžtumėte prie ankstesnių temperatūros nuostatų.

**Pastaba:** prieš įjungdami funkciją „Super Freeze“, įsitikinkite, kad šaldiklio skyriuje nėra gėrimų buteliais ar skardinėmis (ypač gazuotų gėrimų). Buteliai ir skardinės gali sprogti.

### 6.5 Holiday



Ši funkcija skirta energijos sąnaudoms – ir sąskaitoms už elektrą – sumažinti, jei šaldytuvu nesinaudojama ilgesnį laiką. Šią funkciją

galite įjungti trumpam paspaudę mygtuką „Holiday“, kol užsidegs piktograma „Holiday“.

**Svarbu!** Šiuo laikotarpiu nedėkite į šaldytuvą maisto produktų.

- Įjungus funkciją „Holiday“, šaldytuvo temperatūra bus automatiškai nustatyta į 15 °C, kad būtų sumažintos energijos sąnaudos. Šaldytuvo temperatūros nuostata rodytų „-“, o šaldiklio skyrius tebebus įjungtas.
- Norėdami išjungti šį režimą, paspauskite mygtuką „Holiday“, kad grįžtumėte prie ankstesnių temperatūros nuostatų.

### 6.6 Garso signalas



Aliarmo atveju užsidega piktograma „Alarm“ ir pasigirsta zvimbantis garsas. Kad nutrauktumėte aliarmą, paspauskite mygtuką „Alarm“

– garso signalas nutils, tada išsijungs piktograma „Alarm“.



#### DĖMESIO!

Įjungus šaldytuvą po ilgesnio neveikimo laikotarpio, gali pasigirsti garso signalas. Kad jį išjungtumėte, paspauskite mygtuką „Alarm“.

### Atidarytų durų įspėjimo signalas

Užsidegusi aliarmo lemputė ir zvimbantis garso signalas nurodo neįprastas sąlygas, pvz., paliktas atidarytas duris arba nutrauktą maitinimo tiekimą.

- Palikus šaldytuvą ar šaldiklio dureles praviras ilgiau kaip 2 minutes, pasigirs atidarytų durų įspėjimo signalas ir zvimbantis garsas. Zvimbantis garsas pypsės 3 kartus per minutę 10 minučių laikotarpiu. Uždarius dureles atidarytų durų įspėjimo signalas ir zvimbantis garsas išsijungs.
- Kad išvengtumėte elektros energijos švaistymo, nepalikite durelių atvirų ilgesniam laikui, kai šaldytuvai yra įjungtas. Atidarytų durų įspėjimo signalas taip pat išsijungia uždarius dureles.

## Temperatūros pavojaus signalas

Ši svarbi funkcija praneša vartotojams apie galimą maisto sugedimą. Jei sutrinka elektros tiekimas, pavyzdžiui, elektros tiekimas nutrūksta jums išvykus, temperatūros pavojaus signalas įsimins šaldiklio temperatūrą, kai energijos tiekimas bus atnaujintas; greičiausiai tai bus didžiausia užšaldyto maisto temperatūra. Temperatūros pavojaus signalas bus nurodomas aliarmo šviesa ir garso signalu, kai temperatūros rodmuo bus didesnis nei  $-9\text{ }^{\circ}\text{C}$ , tuomet

- a – užsidega piktograma „Alarm“.
- b – šaldiklio temperatūros indikatoriuje rodomas simbolis „H“.
- c – zvimbiantis garsas pypsės 10 kartų, kai bus aktyvintas aliarmas, ir sustos automatiškai.

## Vaikų saugos užraktas



Norėdami įjungti vaikų saugos užraktą, paspauskite ir maždaug 3 sekundes palaikykite nuspaudę mygtuką „Alarm“.

Ekranas išsijungs, kad netyčia nebūtų pakeistos nuostatos. Užsidegs piktograma „Child Lock“.

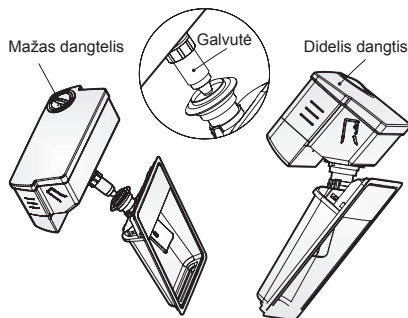
- Vaikų saugos užraktas išjungiamas nuspaudus ir palaikius mygtuką „Alarm“ 3 sekundes. Piktograma „Child Lock“ užges.

## 7. PRIETAISO NAUDOJIMAS

### 7.1 Šalto vandens dalytuvas

Kairiosiose šaldytuvo durelėse esantis šalto vandens dalytuvas yra skirtas geriamajam vandeniui laikyti. Taip labai paprastai tiekiamas atšaldytas vanduo – net nereikia atidaryti durelių.

- Valymas
  - Prieš naudodami pirmąkart, išvalykite šalto vandens dalytuvą.
  - 1 veiksmas: ištraukite vandens dalytuvą
  - 2 veiksmas: nuplaukite švari vandeniu
  - 3 veiksmas: išdžiovinkite
- Surinkimas
  - Surinkdami dalytuvą, laikykitės šių instrukcijų.
  - 1. Laikykite tvirtai už abiejų vandens talpyklos pusių, tada pakelkite ir išimkite ją iš durelių.
  - 2. Atsukite galvutę sukdami prieš laikrodžio rodyklę.
  - 3. Įdėkite juos atgal į duris ir passtumkite talpyklą tol, kol išgirsite spragtelėjimą.



#### ! ĮSPĖJIMAS!

Įdėdami vandens talpyklą, pirmiausia įsitikinkite, kad galvutė pataiko į skylutę.

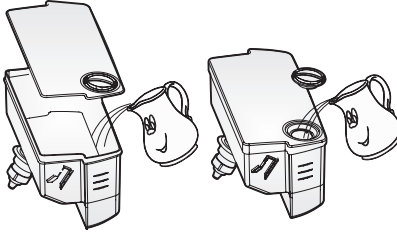
#### Vandens talpyklos pripildymas.

Prieš pildami geriamąjį vandenį į vandens talpyklą, įsitikinkite, kad talpykla tvirtai laikosi savo vietoje. Kad neįpiltumėte per daug vandens ir vanduo neišsilietų, pildykite talpą iki didžiausio lygio žymės, t. y. apie 4,0 l vandens. Vandens talpyklą galima pripildyti dviem būdais:

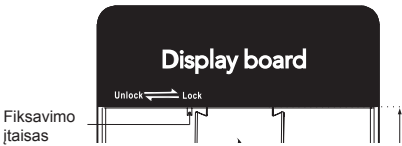
1. nuimant mažą dangtelį ir pilant vandenį į didelio dangčio įleidimo angą;
2. nuimant didelį talpyklos dangtį ir pilant vandenį tiesiai į ją.

**DĖMESIO!**

Į vandens talpyklą nepilkite jokio kito skysčio, išskyrus vandenį.



- Fiksatorius  
Prieš pildami vandenį iš talpyklos, įsitinkinkite, kad dalytuvas yra „atrankintoje“ padėtyje. Fiksavimo įtaisą rasite po ekranu, kaip parodyta paveikslėlyje:

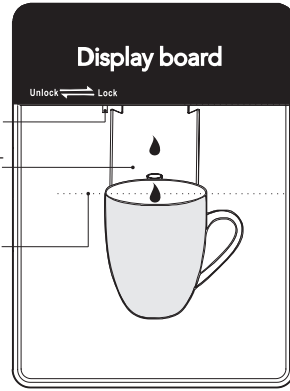
**ISPĖJIMAS!**

Užrakinimo funkcija užrakina įtaisą. Nespauskite stipriai dalytuvo svirtelės, kai dalytuvas yra „užrakinčioje“ padėtyje, nes taip galite sugadinti dalytuvą.

- Vandens dalytuvo naudojimas  
Vanduo iš vandens dalytuvo turi būti pilamas į tinkamo dydžio puoduką.

**ISPĖJIMAS!**

Netraukite dalytuvo svirtelės, jei po juo nėra puoduko, nes taip vanduo gali išsilieti. Jei vandens dalytuvas nenaudojamas, įstatykite vandens tiekimo įtaisą, kad nesiskverbtų šaltas oras.



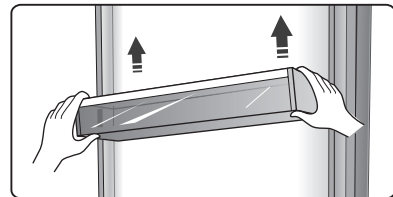
**Pastaba:** dažnai naudojant vandens dalytuvą, ant padėklo gali kauptis lašelių, kurie galiausiai gali išsilieti. Jei reikia, nušluostykite padėklą rankšluosčiu.

## 7.2 Durų lentyna

Šaldytuvo skyriaus durelėse yra lentynų, ant kurių galima laikyti skardines, butelius ir supakuotą maistą. Nedėkite ant jų per daug sunkaus maisto.

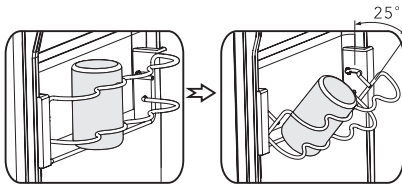
- Vidurinės durų lentynos aukštį galima reguliuoti pagal poreikius. Prieš pakeliant ir išimant lentyną, ji turi būti tuščia. Tada įstatykite lentyną atgal norimame aukštyje.

**Pastaba:** kiaušinių dėklas turi būti dedamas ant viršutinės lentynos.



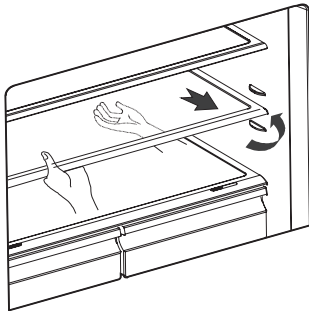
## 7.3 Lentyna skardinėms

- Ant šios lentynos galima laikyti iki 4 įprasto dydžio skardinių. Tačiau ji netinka mažesnio nei 50 mm skersmens skardinėms. Jei reikia, lentyną galima pasukti 25° kampų, kad būtų patogiau įdėti arba išimti gėrimus.

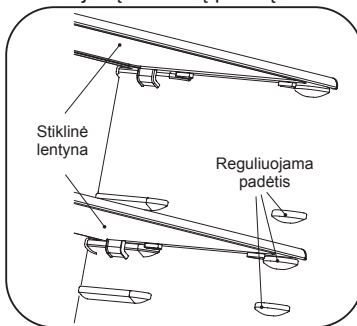


## 7.4 Stiklinės lentynos

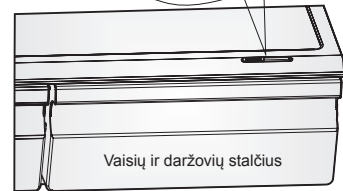
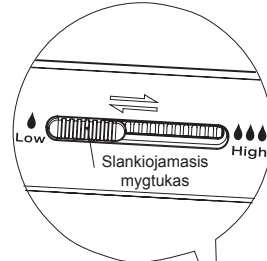
Šaldytuvo kameroje numatytos dvi stiklinės lentynos. Viršutinė lentyna nejuda, bet apatinę galima reguliuoti. Apatinę lentyną galima pastatyti į tris skirtingas padėtis. Lentynos aukštis reguliuojamas pagal poreikius:



- Išimdami lentynas, švelniai pastumkite jas į priekį, kad jos išeitų iš kreiptuvų.
- Statydami jas į vietą, įsitikinkite, kad už jų nėra jokių kliūčių, ir švelniai pastumkite jas į tinkamą padėtį.



## 7.5 Daržovių ir vaisių stalčius, drėgmės kontrolė

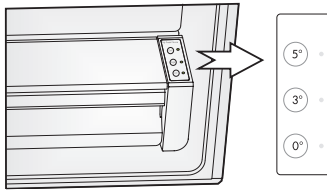


Ant teleskopinių šliaužiklių sumontuotas stalčius skirtas daržovėms ir vaisiams laikyti. Drėgmę viduje galima reguliuoti slankiojamuoju mygtuku.

- Drėgmės kontrolė leidžia reguliuoti oro srautą stalčiuje – kuo didesnis oro srautas, tuo mažiau drėgmės. Kad drėgmės būtų daugiau, pastumkite drėgmės valdiklį į dešinę.
- Daržovėms patartina pasirinkti didelės drėgmės nuostatas, o vaisiams laikyti labiau tinka mažesnis drėgmės kiekis.
- Kad išimtumėte ir išvalytumėte daržovių ir vaisių stalčių arba šaldiklio stalčių, laikykitės šių paprastų instrukcijų. Ištuštinkite stalčių ir ištraukite jį iki galo. Nuimkite jį nuo šoninių šliaužiklių. Įstumkite šliaužiklius atgal, kad nesugadintumėte jų uždarydami dureles.

## 7.6 ŠVIEŽIO MAISTO ZONA. Tikslius temperatūros valdymas (pasirinktinai)

Maistas išliks šviežias ilgesnį laiką, jei bus laikomas tinkamoje temperatūroje. Tačiau skirtingam maistui tinka skirtinga laikymo temperatūra. Dešinėje stalčiaus pusėje yra šaldymo stalčiaus ekranas. „ŠVIEŽIO MAISTO ZONOS“ mygtukais galima nustatyti 0, 3 arba 5 °C kameros temperatūrą atitinkamai mėsai, vaisiams ir daržovėms arba skanėstams. Lentelėje pateikiamos rekomenduojamos nuostatos atitinkamiems maisto produktams.



Skanėstai [5 °C]	Daržovės [3 °C]	0 °C [0 °C]
Sūris	Agurkas	Kepsniai
Kumpis	Salotos	Žuvis
Saliamis	Apelsinai	Šalti mėsos užkandžiai
Alyvuogės	Kukurūzai	Paukštiena

## 7.7 Kaip naudoti šaldytuvo kamerą

Šaldytuvo kamera tinka daržovėms ir vaisiams laikyti. Patartina maisto produktus supakuoti atskirai, kad jie neprarastų drėgmės ir kvapas neprisiskverbtų į kitą maistą.



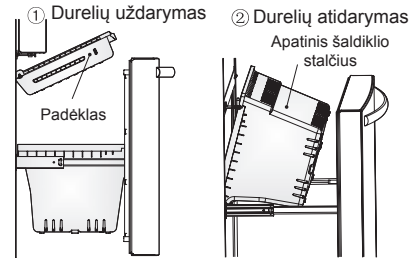
### DĖMESIO!

Neuždarykite durų, jei ištrauktos lentynos, daržovių ir vaisių stalčius ir (arba) teleskopiniai šliaužikliai. Taip galite sugadinti prietaisą.

## 7.8 Kaip naudoti šaldiklio stalčių

Šaldiklio stalčius tinka laikyti maistą, kuris turi būti užšaldytas, pvz., mėsa, ledus ir pan.

Norėdami išimti šaldiklio stalčių, ištraukite jį iki galo, pakreipkite į viršų padėklą ir pakelkite jį, tada kiek įmanoma atidarykite šaldytuvo duris – taip galėsite išimti apatinį šaldiklio stalčių, kaip parodyta paveikslėliuose.



### DĖMESIO!

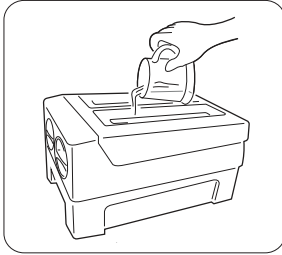
Neleiskite kūdikiams ar vaikams lipti į šaldytuvo vidų, nes jie gali susižaloti ar sugadinti šaldytuvą. Nelipkite ir nesisėskite ant šaldytuvo durelių. Durelės gali suskilti. Neleiskite vaikams lipti į šaldiklio krepšį.

Jei valydami krepšį išimsite skiriamą sienelę, paskui turite įstatyti ją atgal, kad vaikai neįstrigtų krepšio viduje.

## 7.9 Sukamasis padėklas ledui

- Viršutiniame šaldiklio stalčiuje numatytas sukamasis padėklas ledukams laikyti.

- Įpilkite geriamojo vandens iki didžiausio lygio žymės.
- Pripildytą padėklą įstatykite atgal į laikiklį.
- Palaukite apie 3 valandas, pasukite rankenėles pagal laikrodžio rodyklę ir ledukai iškris į ledo dėžutę.



## 8. NAUDINGI PATARIMAI

### 8.1 Energijos taupymo patarimai

Kad sumažintumėte energijos sąnaudas, laikykitės šių patarimų.

- Stenkitės ilgam nepalikti atidarytų durelių ir nešvaistyti energijos.
- Prietaisas turi būti įrengtas atokiau nuo šilumos šaltinių (tiesioginių saulės spindulių, elektrinės orkaitės, viryklės ir t. t.).
- Nenustatykite žemesnės temperatūros, nei reikia.
- Šaldytuve nelaikykite šiltų maisto produktų ar garuojančių skysčių.
- Prietaisas turi būti įrengiamas gerai vėdinamoje ir sausoje vietoje. Žr. skyrių „Jūsų naujojo prietaiso montavimas“.
- Skyriaus „Prietaiso aprašymas“ 1 paveikslėlyje pateikiamas teisingas stalčių, vaisių ir daržovių stalčiaus bei lentynų išdėstymas. Nekeiskite jo, nes dėl šio išdėstymo reikės mažiausių energijos sąnaudų.

#### **Patarimai, kaip šaldyti šviežius maisto produktus**

- Nedėkite karšto maisto tiesiai į šaldytuvą ar šaldiklį, nes pakils vidaus temperatūra, kompresorius veiks intensyviau ir todėl bus suvartojama daugiau energijos.
- Maisto produktus uždenkite arba įvyniokite, ypač, jei jiems būdingas stiprus kvapas.
- Maisto produktus padėkite taip, kad aplink juos galėtų laisvai cirkuluoti oras.

4. Ledukus galima laikyti dėžutėje arba, jei reikia, galite ištraukti dėžutę ir išimti ledukus.

**Pastaba:** jei padėklas ledui bus naudojamas pirmą kartą arba nebuvo naudojamas ilgesnį laiką, prieš naudojimą nuplaukite padėklą.

#### **Patarimai, kaip laikyti produktus šaldytuve**

- Mėsa (visų rūšių): įvyniokite į polietileno maišelius ir sudėkite ant stiklinės lentynos virš daržovių stalčiaus. Visuomet atsižvelkite į gamintojų nurodomus maisto laikymo ar tinkamumo terminus.
- Virti / kepti produktai, šalti patiekalai ir kt.: juos reikia uždenkti ir padėti ant bet kurios lentynos.
- Vaisiai ir daržovės: sudėti į specialų jiems skirtą stalčių.
- Sviestas ir sūris: suvynioti į orui nelaidžią foliją ar polietileninį apvalkalą.
- Pieno buteliai: turi būti su dangteliais ir laikomi šaldytuvo durelėse esančioje lentynoje.

### 8.2 Patarimai, kaip laikyti produktus šaldiklyje

- Kai prietaisą įjungiate pirmą kartą arba jei jo ilgai nenaudojote, prieš dėdami produktus į šaldiklio kamerą, leiskite prietaisui veikti mažiausiai 2 valandas esant didžiausiai nuostatai.
- Paruoškite nedideles maisto porcijas, kad jos galėtų greitai ir visiškai užšalti ir kad vėliau galėtumėte atitirpdyti tik reikiamą kiekį produktų.
- Maisto produktus sandariai įvyniokite į aliuminio foliją arba polietilena.
- Pasirūpinkite, kad švieži, neužšaldyti maisto produktai nesiliestų su jau užšaldytais, nes pastarųjų temperatūra gali pakilti.



- Jeigu valgysite ką tik iš šaldiklio kameros išimtus užšaldytus gaminius, galite nusišaldyti odą.
- Patartina pasižymėti kiekvieno sušaldyto pakelio datą, kad žinotumėte, kiek laiko jis yra laikomas.

#### **Užšaldyto maisto laikymo patarimai**

- Įsitinkite, kad užšaldyti maisto produktai buvo tinkamai laikomi parduotuvėje.
- Atitirpę maisto produktai greitai genda; negalima jų užšaldyti pakartotinai. Nelaikykite maisto produktų ilgiau nei rekomenduoja jų gamintojas.

## 9. VALYMAS IR PRIEŽIŪRA

Higienos sumetimais prietaisas turi būti reguliariai – bent kartą per du mėnesius – valomas iš vidaus ir iš išorės.



#### **DĖMESIO!**

Valomas prietaisas turi būti atjungtas nuo maitinimo tinklo. Elektros smūgio pavojus! Prieš pradėdami valymo darbus, išjunkite prietaisą ir ištraukite kištuką iš lizdo.

### 9.1 Išorės valymas

Kad prietaisas gerai atrodytų, valykite jį reguliariai.

- Nuvalykite skaitmeninį skydelį ir ekraną švaria, minkšta šluoste.
- Papurškite vandens ant šluostės – nepurškite jo tiesiai ant prietaiso. Taip užtikrinsite tolygų drėgmės pasiskirstymą ant paviršiaus.
- Nuvalykite duris, rankenas ir korpuso paviršius švelniu plovikliu, tada nusauskite minkšta šluoste.



#### **DĖMESIO!**

- Nenaudokite aštrių daiktų, nes jie gali subraižyti paviršių.
- Valydami nenaudokite skiediklių, automobilių ploviklių, „Clorox“ preparatų, eterinių aliejų, abrazyvinių valiklių ar organinių tirpiklių, pvz., benzono. Jie gali sugadinti prietaiso paviršių ir sukelti gaisrą.

### 8.3 Prietaiso išjungimas

Jei būtina išjungti prietaisą ilgesniam laikui, reikia imtis toliau nurodomų priemonių, kad jame nesikauptų pelėsiai.

1. Išimkite iš jo visus maisto produktus.
2. Maitinimo laido kištuką išjunkite iš tinklo lizdo.
3. Išvalykite ir kruopščiai nusauskite prietaiso vidų.
4. Įsitinkite, kad visos durys liktų šiek tiek pravertos ir oras galėtų laisvai cirkuliuoti.

### 9.2 Vidaus valymas

- Prietaiso vidų valykite reguliariai. Valyti bus patogiau, jei šaldytuve bus mažiau maisto. Šaldytuvo ir šaldiklio vidų plaukite silpnu sodos tirpalu, tada praplaukite šiltu vandeniu, naudodami išgręžtą kempinę ar šluostę. Prieš įstatydami atgal lentynas ir krepšius, gerai nusauskite vidų. Visi paviršiai ir išimamos dalys turi būti visiškai sausi.
- Nors šis prietaisas atitirpinamas automatiškai, šerkšno sluoksnis gali susidaryti ant šaldiklio kameros vidinių sienelių, jei šaldiklio durys dažnai atidaromos arba laikomos atviros pernelyg ilgai. Jei šerkšno sluoksnis yra per storas, pasirinkite laiką, kada maisto atsargų šaldiklyje bus mažiau, ir atlikite toliau nurodomus veiksmus.
  1. Išimkite esamus maisto produktus ir krepšius, atjunkite prietaisą nuo elektros tinklo ir palikite duris atviras. Užtikrinkite tinkamą patalpos vėdinimą, kad atitirpinimo procesas vyktų sparčiau.
  2. Užbaigę atitirpinimą, išvalykite šaldiklį pagal anksčiau pateiktas instrukcijas.



#### **DĖMESIO!**

Nenaudokite aštrių daiktų šerkšnui šalinti. Prietaisas turi būti prijungiamas prie maitinimo tinklo ir vėl įjungiamas tik visiškai išdžiūvus jo vidui.

### 9.3 Durų tarpinių valymas

Durų tarpinės turi būti švarios. Dėl maisto produktų likučių ir gėrimų tarpinės gali prilipti prie korpuso ir vėliau plyšti atidarant duris. Nuplaukite tarpines švelniu plovikliu ir šiltu vandeniu. Nuplovę nušluostykite ir gerai nusausinkite.



#### DĖMESIO!

Prietaisas turi būti vėl įjungiamas tik visiškai išdžiuvus durų tarpinėms.



#### ĮSPĖJIMAS!

Naudotojui draudžiama pačiam keisti LED lemputę! Jei LED lemputė nebedega, kreipkitės į klientų aptarnavimo skyrių.

## 10. TRIKČIŲ ŠALINIMAS

Jei kilo problemų dėl prietaiso arba manote, kad jis veikia netinkamai, prieš kreipdamiesi pagalbos galite patikrinti kai kuriuos dalykus. Šiame skyriuje aptariamos kai kurios problemos, kurias galima pabandyti išspręsti prieš kreipiantis į aptarnavimo skyrių.



#### ĮSPĖJIMAS!

Nebandykite patys remontuoti prietaiso. Jei pabandėte pašalinti triktį pagal čia pateiktus nurodymus, bet problemos išspręsti nepavyko, kreipkitės į elektriką, įgaliotosios techninės priežiūros darbuotoją ar parduotuvę, kurioje įsigijote šį prietaisą.

Triktis	Galima priežastis ir sprendimas
Sutriko prietaiso veikimas	Patikrinkite, ar maitinimo kištukas tinkamai įkištas į maitinimo lizdą.
	Patikrinkite maitinimo grandinės saugiklį, jei reikia, pakeiskite.
	Tai normalu, kad šaldiklis neveikia per automatinio atitirpinimo ciklą arba trumpam neveikia po prietaiso įjungimo, kad būtų apsaugotas kompresorius.
Iš kamerų sklinda kvapas	Galbūt reikia išvalyti šaldytuvo vidų.
	Kvapus gali skleisti maistas, talpyklos ar maisto apvalkalai.
Prietaisas skleidžia triukšmą	Šaldytuvui veikiant šie garsai yra įprasti: Kompresoriaus veikimo garsas. <ul style="list-style-type: none"> <li>• Oro srauto triukšmas iš mažo ventiliatoriaus variklio šaldiklio kameroje ar kitose skyriuose.</li> <li>• Į vandens virimą panašus kliuksėjimas.</li> <li>• Pokštelėjimai automatinio atitirpinimo metu.</li> <li>• Trakštelėjimai prieš įsijungiant kompresoriui.</li> </ul>
	Kiti neįprasti garsai gali būti skleidžiami dėl toliau nurodytų priežasčių; reikės tai patikrinti ir galbūt imtis tam tikrų priemonių: Prietaisas pastatytas nelygiai. Prietaiso galinė dalis liečia sieną. Rieda ar krinta buteliai ir kitos talpyklos.



Variklis veikia nesustodamas	<p>Dažnas variklio veikimo garsas yra įprastas. Variklis veikia dažniau tokiomis aplinkybėmis:</p> <ul style="list-style-type: none"> <li>• Temperatūra nustatyta į šaltesnę nei būtina.</li> <li>• Prietaise neseniai buvo padėtas didelis šilto maisto kiekis.</li> <li>• Išorės temperatūra yra per aukšta.</li> <li>• Durys yra atviros ilgesnį laiką.</li> <li>• Po prietaiso įrengimo arba jį išjungus ilgesniam laikui.</li> </ul>
Kameroje susidarė šerkšno sluoksnis	Patikrinkite, ar oro angos neužblokuotos maistu; dėkite maistą taip, kad būtų užtikrintas pakankamas vėdinimas. Patikrinkite, ar visiškai uždarytos durys. Kad pašalintumėte šerkšną, žr. skyrių „Valymas ir priežiūra“.
Vidaus temperatūra yra per aukšta	Galbūt durys buvo paliktos atviros per ilgai ar yra atidaromos per dažnai arba durims užsidaryti trukdo kažkokia kliūtis; galbūt prietaisui palikta nepakankamai vietos šonuose, gale ar viršuje.
Vidaus temperatūra yra per žema	Padidinkite temperatūrą, kaip nurodyta skyriuje „Ekranu valdikliai“.
Durys sunkiai užsidaro	Patikrinkite, ar šaldytuvo viršus pakreiptas atgal 10–15 mm taip, kad durys gali savaime užsidaryti, arba durims užsidaryti trukdo viduje esantis daiktas.
Vanduo varva ant grindų	Vandens lovys (esantis galinės korpuso dalies apačioje) gali būti netinkamai išlygintas arba vandens išleidimo snapelis (esantis virš kompresoriaus) netinkamai išdėstytas ir nenukreipia vandens tiesiai į lovį, arba vandens snapelis yra užsikimšęs. Gali prireikti atitraukti šaldytuvą nuo sienos ir patikrinti lovį bei snapelį.
Lemputė neužsidega	Galbūt perdegė LED lemputė. Žr. skyriaus „Valymas ir priežiūra“ dalį apie LED lempučių keitimą. Kontrolės sistema išjungė šviesas, nes durys laikomos atidarytos per ilgai. Kad šviesa užsidegtų, uždarykite ir vėl atidarykite duris.
Dureles nelengva atidaryti	Patikrinkite durų tarpinę, ir, jei reikia, nuvalykite guminę tarpinę palei durų kraštus indų plovimo priemone ir šiltu vandeniu. Dėl čia besikaupiančio purvo ir nešvarumų durys gali prilipti prie šaldytuvo.

## 11. PRIETAISO UTILIZAVIMAS

Šaldytuvą pagamintas iš daugkartinio naudojimo medžiagų. Prietaisas turi būti šalinamas laikantis galiojančių vietos atliekų tvarkymo reikalavimų. Prietaiso aušinimo grandinėje yra nedidelis kiekis šaltnešio (R600a). Prieš atiduodami prietaisą kaip metalo laužą, saugumo sumetimais perskaitykite šios instrukci-

jos skyrių „Šaltnešis ir gaisro pavojus“. Nupjaukite maitinimo laidą, kad šaldytuvą būtų netinkamas naudoti, nuimkite durelių tarpinę ir užraktą. Su aušinimo sistema elkitės atsargiai – nepažeiskite ir nepradurkite šaltnešio talpyklos, nesulenkite vamzdžių, nesubraižykite paviršinės dangos.

### Tinkamas šio gaminio utilizavimas



Šis ant gaminio arba jo pakuotės esantis simbolis reiškia, kad gaminys nelaikytinas buitinėmis atliekomis. Jį reikia atiduoti į atitinkamą atliekų surinkimo skyrių, kad elektros ir elektronikos įranga būtų perdirbta. Teisingai išmesdami šį gaminį, apsaugosite aplinką ir žmonių sveikatą nuo galimo neigiamo poveikio, kuris gali būti sukeltas netinkamai išmetus gaminį. Išsamesnės informacijos apie šio gaminio perdirbimą gali suteikti jūsų miesto valdžios institucijos, buitinių atliekų išvežimo tarnyba arba paroduotuvė, kur įsigijote šį gaminį.

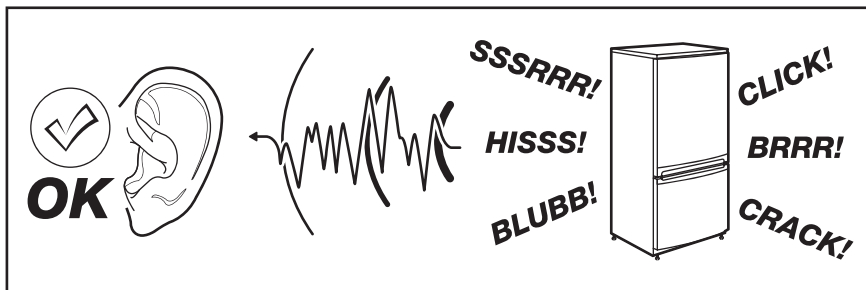
## 12. TECHNINIAI DUOMENYS

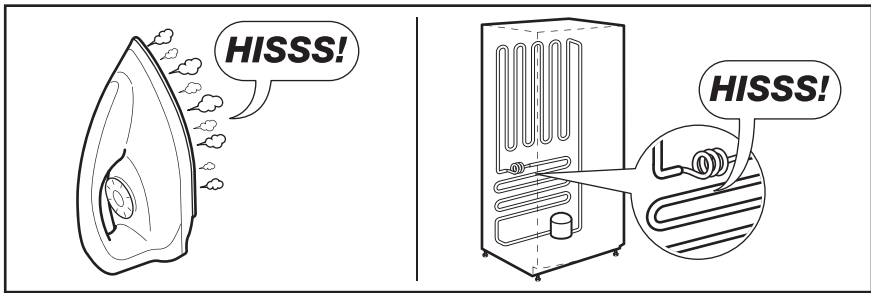
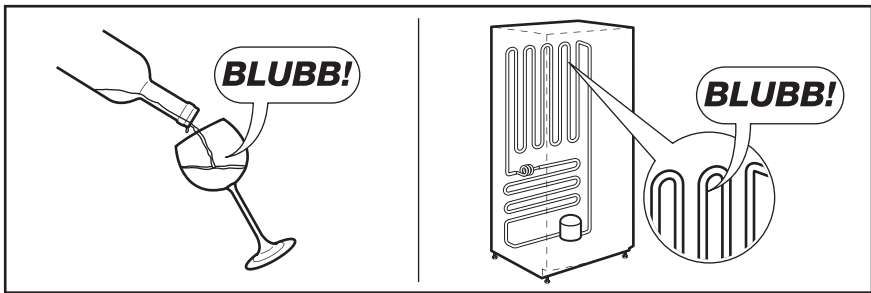
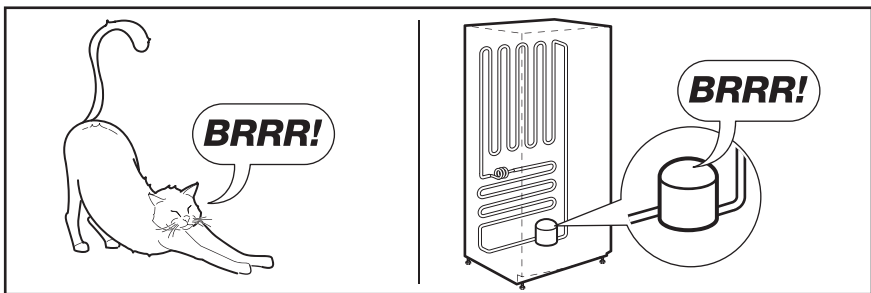
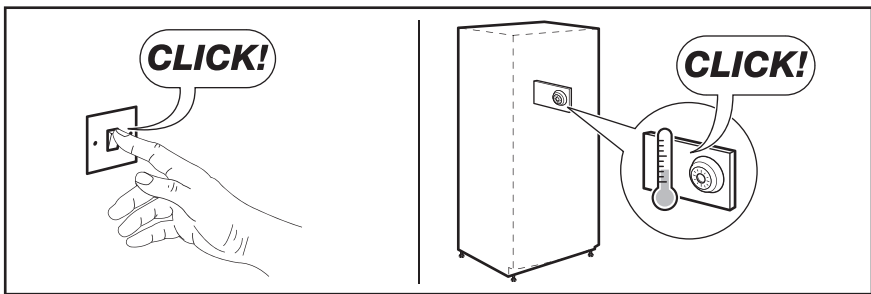
Matmuo	
Aukštis	1 766 mm
Plotis	912 mm
Gylis	765 mm
Temperatūros kilimo laikas	12 val.
Įtampa	220–240 V
Dažnis	50 Hz

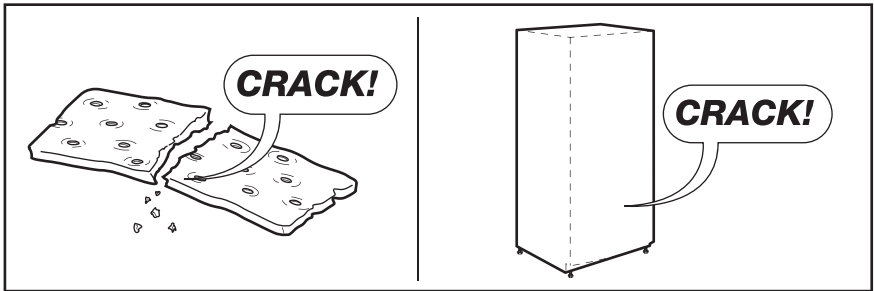
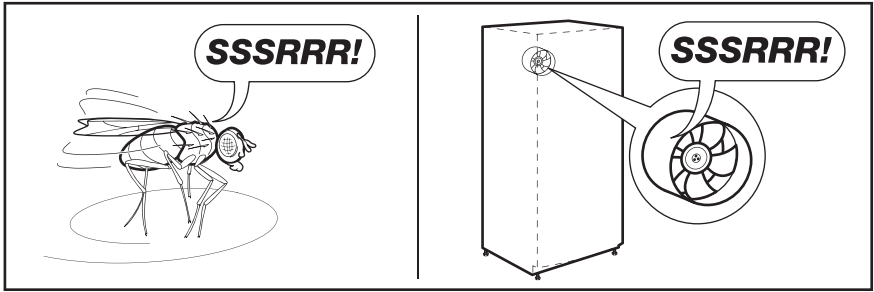
Techninė informacija pateikta duomenų lentelėje, kuri yra prietaiso viduje, kairėje pusėje, ir energijos plokštelėje.

## 13. TRIUKŠMAS

Įprastai naudojant prietaisą gali būti girdimi tam tikri garsai (kompresoriaus veikimo, šaldomosios medžiagos cirkuliacijai).









# SPIS TREŚCI

1. INFORMACJE DOTYCZĄCE BEZPIECZEŃSTWA.....	135
2. WSKAZÓWKI DOTYCZĄCE BEZPIECZEŃSTWA .....	136
3. OCHRONA ŚRODOWISKA.....	138
4. OPIS URZĄDZENIA.....	139
5. INSTALACJA.....	140
6. PANEL STEROWANIA.....	142
7. KORZYSTANIE Z URZĄDZENIA.....	145
8. PRZYDATNE RADY I WSKAZÓWKI .....	149
9. CZYSZCZENIE I KONSERWACJA.....	150
10. ROZWIĄZYWANIE PROBLEMÓW.....	151
11. UTYLIZACJA STAREGO URZĄDZENIA.....	153
12. DANE TECHNICZNE .....	153
13. ODGŁOSY.....	154

## Z MYŚLĄ O PERFEKCYJNYCH REZULTATACH

Dziękujemy za wybór tego produktu Electrolux. Stworzyliśmy go, aby zapewnić Ci niezakłócone działanie przez długie lata, a zastosowane w nim innowacyjne technologie, które ułatwiają życie, nie występują w zwykłych urządzeniach. Prosimy o poświęcenie kilku minut i przeczytanie tej dokumentacji w celu zapewnienia najlepszego wykorzystania urządzenia.

### Odwiądź naszą witrynę internetową, aby uzyskać:



Wskazówki dotyczące użytkowania, broszury, pomoc w rozwiązywaniu problemów oraz informacje dotyczące serwisu:  
**[www.electrolux.com](http://www.electrolux.com)**



Zarejestruj swój produkt, aby uprościć jego obsługę serwisową:  
**[www.electrolux.com/productregistration](http://www.electrolux.com/productregistration)**



Kupuj akcesoria, materiały eksploatacyjne i oryginalne części zamienne do swojego urządzenia:  
**[www.electrolux.com/shop](http://www.electrolux.com/shop)**

## OBSŁUGA KLIENTA

Używać wyłącznie oryginalnych części zamiennych.

Przed skontaktowaniem się z autoryzowanym serwisem należy przygotować poniższe dane: model, numer produktu, numer seryjny.

Informacje można znaleźć na tabliczce znamionowej.



Ostrzeżenie/przestroga – informacje dotyczące bezpieczeństwa.



Informacje ogólne i wskazówki.



Informacje dotyczące środowiska.

Może ulec zmianie bez powiadomienia.

# 1. INFORMACJE DOTYCZĄCE BEZPIECZEŃSTWA

Przed instalacją i rozpoczęciem eksploatacji urządzenia należy uważnie zapoznać się z załączoną instrukcją obsługi. Producent nie odpowiada za uszkodzenia i obrażenia ciała spowodowane nieprawidłową instalacją i eksploatacją. Należy zachować instrukcję wraz z urządzeniem do wykorzystania w przyszłości.

## 1.1 Bezpieczeństwo dzieci i osób o ograniczonych zdolnościach ruchowych, sensorycznych lub umysłowych

- Urządzenie mogą obsługiwać dzieci po ukończeniu ósmego roku życia oraz osoby o ograniczonych zdolnościach ruchowych, sensorycznych lub umysłowych bądź nieposiadające odpowiedniej wiedzy i doświadczenia, jeśli będą one nadzorowane lub zostaną poinstruowane w zakresie bezpiecznego korzystania z tego urządzenia, a także będą świadome związanych z tym zagrożeń.
- Nie pozwalać, aby dzieci bawiły się urządzeniem.
- Dzieci nie mogą zajmować się czyszczeniem ani konserwacją bez nadzoru dorosłych
- Wszystkie opakowania należy przechowywać poza zasięgiem dzieci.

## 1.2 Ogólne zasady bezpieczeństwa

- Urządzenie jest przeznaczone do użytku w gospodarstwie domowym oraz do podobnych zastosowań, tj. w takich miejscach, jak:
  - Gospodarstwa; kuchnie dla personelu w obiektach sklepowych, biurowych oraz innych placówkach pracowniczych.
  - Do obsługi przez klientów w hotelach, motelach, pensjonatach i innych obiektach mieszkalnych.
- Otwory wentylacyjne w obudowie urządzenia lub w zabudowie nie mogą być zakryte ani zanieczyszczone.
- Nie wolno używać żadnych urządzeń ani środków do przyspieszania odmrażania urządzenia z wyjątkiem tych, które zaleca producent.
- Należy zachować ostrożność, aby nie uszkodzić układu chłodniczego.

- Do wnętrza urządzenia nie wolno wkładać żadnych urządzeń elektrycznych za wyjątkiem tych, które zaleca producent.
- Do czyszczenia urządzenia nie wolno używać wody pod ciśnieniem ani pary wodnej.
- Czyścić urządzenie za pomocą wilgotnej szmatki. Używać wyłącznie neutralnych detergentów. Nie stosować produktów ściernych, myjek do szorowania, rozpuszczalników ani metalowych przedmiotów.
- W chłodziarce nie należy przechowywać substancji wybuchowych, na przykład pojemników aerozolowych z łatwopalną zawartością.
- Jeśli przewód zasilający jest uszkodzony, ze względów bezpieczeństwa musi go wymienić producent, autoryzowany serwis lub inna wykwalifikowana osoba.
- Jeśli urządzenie jest wyposażone w kostkarkę do lodu lub dozownik na wodę, należy je uzupełniać wodą pitną.
- Jeśli wymagane jest podłączenie wody, urządzenie należy podłączać wyłącznie do instalacji doprowadzającej wodę pitną.
- Ciśnienie wody dopływowej (minimalne i maksymalne) musi mieścić się w granicach od 1 bara (0,1 MPa) do 10 barów (1 MPa).

## 2. WSKAZÓWKI DOTYCZĄCE BEZPIECZEŃSTWA

### 2.1 Instalacja



#### **OSTRZEŻENIE!**

Urządzenie może zainstalować wyłącznie wykwalifikowana osoba.

- Usunąć wszystkie elementy opakowania.
- Nie instalować ani nie używać uszkodzonego urządzenia.
- Postępować zgodnie z instrukcją instalacji załączoną do urządzenia.
- Zachować ostrożność podczas przenoszenia urządzenia, ponieważ jest ono ciężkie. Zawsze używać rękawic ochronnych.
- Wokół urządzenia należy zapewnić przepływ powietrza.
- Odczekać co najmniej 4 godziny przed podłączeniem urządzenia do zasilania. Jest to niezbędne, aby olej spłynął z powrotem do sprężarki.
- Nie instalować urządzenia w pobliżu grzejników, kuchenek, piekarników ani płyt grzejnych.
- Tył urządzenia musi znajdować się przy ścianie.
- Nie instalować urządzenia w miejscu, gdzie występuje bezpośrednie nasłonecznienie.
- Nie instalować urządzenia w miejscach, które są bardzo wilgotne lub chłodne, takich jak kontenery budowlane, garaże lub piwnice na wino.
- Przesuwając urządzenie, należy podnieść jego przednią krawędź, aby uniknąć zarysowania podłogi.



## 2.2 Podłączenie do sieci elektrycznej



### OSTRZEŻENIE!

Występuje ryzyko pożaru i porażenia prądem elektrycznym.

- Urządzenie musi być uziemione.
- Należy upewnić się, że informacje o podłączeniu elektrycznym podane na tabliczce znamionowej są zgodne z parametrami instalacji zasilającej. W przeciwnym razie należy skontaktować się z elektrykiem.
- Należy zawsze używać prawidłowo zamontowanych gniazd elektrycznych z uziemieniem.
- Nie stosować rozgałęźników ani przedłużaczy.
- Należy zwrócić uwagę, aby nie uszkodzić elementów elektrycznych (np. wtyczki, przewodu zasilającego, sprężarki). Jeśli wystąpi konieczność wymiany elementów elektrycznych, należy skontaktować się z serwisem lub elektrykiem.
- Przewód zasilający powinien znajdować się poniżej wtyczki. Podłączyć wtyczkę do gniazda elektrycznego dopiero po zakończeniu instalacji. Należy zadbać o to, aby w zainstalowanym urządzeniu wtyczka przewodu zasilającego była łatwo dostępna. Odłączając urządzenie, nie należy ciągnąć za przewód zasilający. Zawsze ciągnąć za wtyczkę.

## 2.3 Przeznaczenie



### OSTRZEŻENIE!

Zagrożenie odniesieniem obrażeń ciała, oparzeniem, porażeniem prądem lub spowodowaniem pożaru.

- Nie zmieniać parametrów technicznych urządzenia.
- Nie umieszczać w urządzeniu innych urządzeń elektrycznych (np. maszynek do lodów), chyba, że zostały one przeznaczone do tego celu przez producenta.
- Należy zachować ostrożność, aby nie uszkodzić układu chłodniczego. Zawiera on izobutan (R600a), który jest

gazem ziemnym spełniającym wymogi dotyczące ochrony środowiska. Gaz ten jest łatwopalny.

- W razie uszkodzenia układu chłodniczego należy zadbać o to, aby w pomieszczeniu nie było otwartego płomienia, ani źródeł zapłonu. Przewietrzyć pomieszczenie.
- Nie dopuszczać, aby gorące przedmioty dotykały plastikowych elementów urządzenia.
- Nie wkładać do komory zamrażarki napojów gazowanych. Zamrażanie powoduje wzrost ciśnienia w opakowaniu z napojem.
- Nie wolno przechowywać w urządzeniu łatwopalnych gazów i płynów.
- Nie umieszczać w urządzeniu, na nim ani w jego pobliżu łatwopalnych substancji ani przedmiotów nasączonych łatwopalnymi substancjami.
- Nie dotykać sprężarki ani skraplacza. Są one gorące.
- Nie wyjmować ani nie dotykać produktów znajdujących się w komorze zamrażarki mokrymi lub wilgotnymi rękoma.
- Nie wolno ponownie zamrażać rozmrożonej żywności.
- Należy przestrzegać wskazówek dotyczących przechowywania mrożonej żywności, które znajdują się na jej opakowaniu.

## 2.4 Wewnętrzne oświetlenie

- Rodzaj lampy zastosowanej w urządzeniu nie jest odpowiedni do oświetlania pomieszczeń domowych.

## 2.5 Konserwacja i czyszczenie



### OSTRZEŻENIE!

Występuje ryzyko odniesienia obrażeń i uszkodzenia urządzenia.

- Przed przystąpieniem do konserwacji należy wyłączyć urządzenie i wyjąć wtyczkę przewodu zasilającego z gniazda elektrycznego.
- W układzie chłodniczym urządzenia znajdują się związki węglowodorowe. Konserwacja i napełnianiem układu chłodniczego może zajmować się wyłącznie wykwalifikowana osoba.

- Należy regularnie sprawdzać odpływ kroplin w chłodziarce i w razie potrzeby oczyszczać go. Gdy odpływ jest zablokowany, na dnie urządzenia zbiera się woda.

## 2.6 Utylizacja





### **OSTRZEŻENIE!**

Występuje zagrożenie odniesieniem obrażeń ciała lub uduszeniem.

- Odłączyć urządzenie od źródła zasilania.
- Odciąć przewód zasilający i wyrzucić go.
- Wymontować drzwi, aby uniemożliwić zamknięcie się dziecka lub zwierzęcia w urządzeniu.
- Czynnik chłodniczy i materiały izolacyjne zastosowane w tym urządzeniu nie stanowią zagrożenia dla warstwy ozonowej.
- Pianka izolacyjna zawiera łatwopalny gaz. Aby uzyskać informacje dotyczące prawidłowej utylizacji urządzenia, należy skontaktować się z lokalnymi władzami.
- Należy uważać, aby nie uszkodzić układu chłodniczego w pobliżu wymiennika ciepła.

## 3. OCHRONA ŚRODOWISKA

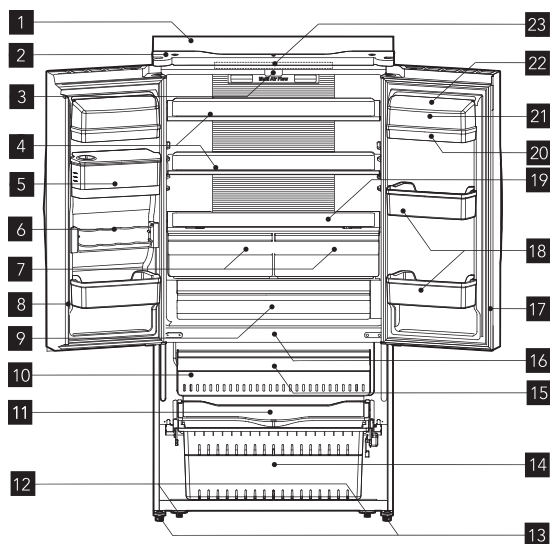
Materiały oznaczone symbolem  należy poddać recyklingowi. Opakowanie urządzenia włożyć do odpowiedniego pojemnika w celu przeprowadzenia recyklingu. Należy zadbać o ponowne przetwarzanie odpadów urządzeń elektrycznych i elektronicznych, aby chronić

środowisko naturalne i ludzkie zdrowie. Urządzeń oznaczonych symbolem  nie należy wyrzucać z odpadami domowymi. Należy zwrócić produkt do miejscowego punktu recyklingu lub skontaktować się z odpowiednimi lokalnymi władzami.



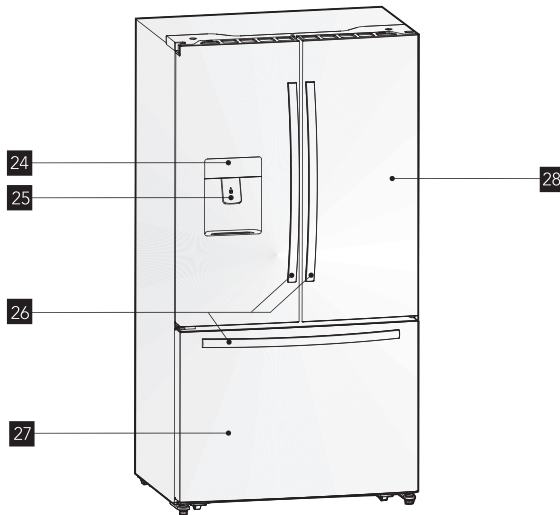
## 4. OPIS URZĄDZENIA

4.1 Rys. 1



- |   |  |
|---|--|
| <b>1</b> Obudowa                                    | <b>13</b> Regulowane nóżki                       |
| <b>2</b> Górna pokrywa                              | <b>14</b> Dolna szuflada zamrażarki              |
| <b>3</b> Blok prowadzący przegrody pionowej         | <b>15</b> Górna szuflada zamrażarki              |
| <b>4</b> Szklana półka                              | <b>16</b> Oświetlenie LED zamrażarki (wewnątrz)  |
| <b>5</b> Zbiornik wody                              | <b>17</b> Uszczelka drzwi                        |
| <b>6</b> Elastyczny uchwyt na puszki                | <b>18</b> Półka dolna                            |
| <b>7</b> Szuflada do przechowywania warzyw i owoców | <b>19</b> Pokrywa pojemnika na owoce i warzywa   |
| <b>8</b> Przegroda pionowa                          | <b>20</b> Górna półka                            |
| <b>9</b> Szuflada My fresh choice                   | <b>21</b> Pojemnik na jajka (wewnątrz)           |
| <b>10</b> Obracana kostkarka do lodu (wewnątrz)     | <b>22</b> Osłona półki                           |
| <b>11</b> Taca do serwowania                        | <b>23</b> Oświetlenie LED chłodziarki (wewnątrz) |
| <b>12</b> Rolki                                     |  |

## 4.2 Rys. 2



**24** Układ wyświetlacza

**25** Dozownik zimnej wody

**26** Uchwyty

**27** Drzwi zamrażarki

**28** Drzwi chłodziarki

**Uwaga:** Ze względu na to, że ciągle udoskonalamy nasze produkty, Państwa urządzenie może różnić się nieco od tego na powyższych rysunkach, ale jego działanie i sposób użycia są takie same.

**Uwaga:** Aby uzyskać najlepszą wydajność energetyczną, zaleca się umieścić wszystkie półki, szuflady i pojemniki w tych samych miejscach co na rysunkach.

To urządzenie jest w sprzedaży we Francji. Zgodnie z prawem tego kraju w dolnej części komory chłodziarki powinna znajdować się specjalna naklejka (patrz rysunek), która wskazuje jej najchłodniejszą strefę.

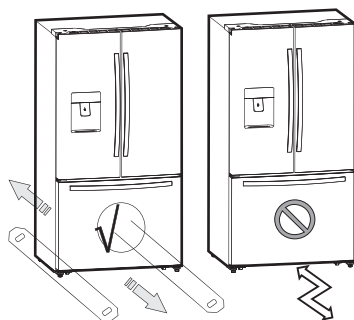
## 5. INSTALACJA

Ten rozdział opisuje jak należy przeprowadzić instalację urządzenia przed pierwszym użyciem. Zaleca się przeczytać poniższe

**OSTRZEŻENIE!**

Aby prawidłowo zainstalować urządzenie, musi być ono umieszczone na równej, twardej powierzchni, która jest na tej samej wysokości co reszta podłogi.

Powierzchnia ta powinna być na tyle mocna, aby utrzymać w pełni załadowane urządzenie, czyli ciężar ok ciężar 120 kg. Podczas przemieszczania należy ciągnąć i pchać urządzenie w linii prostej, wskazówki.

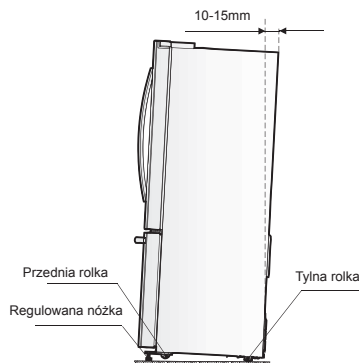


Klasa	Symbol	Średnia temperatura otoczenia(°C)
Rozszerzona umiarkowana	SN	od +10°C do +32°C
Umiarkowana	N	od +16°C do +32°C
Subtropikalna	ST	od +16°C do +38°C
Tropikalna	T	od +16°C do +43°C

## 5.1 Poziomowanie

Urządzenie jest wyposażone w regulowane nóżki, które umożliwiają prawidłowe wypoziomowanie urządzenia i wyeliminowanie wibracji. Urządzenie należy wypoziomować zgodnie z poniższą instrukcją:

1. Ustawić chłodziarko-zamrażarkę w odpowiednim miejscu.
2. Przekręcać regulowane nóżki (palcami lub odpowiednim kluczem) aż dotkną podłoża.
3. Odchylić górną część urządzenia na około 10-15 mm, przekręcając nóżki o 1~2 obroty. Dzięki temu drzwi będą się same zamykać i będą dokładnie uszczelnione.
4. W przypadku przemieszczania należy wkręcić nóżki z powrotem, aby urządzenie mogło się swobodnie przesuwać na rolkach. Po przemieszczeniu urządzenia w inne miejsce należy powtórzyć proces instalacji.

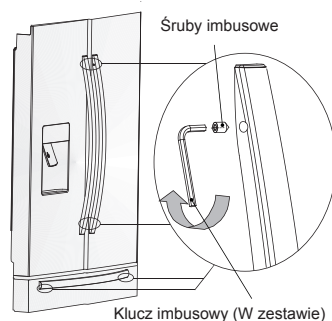


### OSTRZEŻENIE!

Rolek należy używać tylko do przesuwania urządzenia w przód i w tył. Przesuwanie na boki może uszkodzić podłogę i rolki.

## 5.2 Regulacja uchwytów

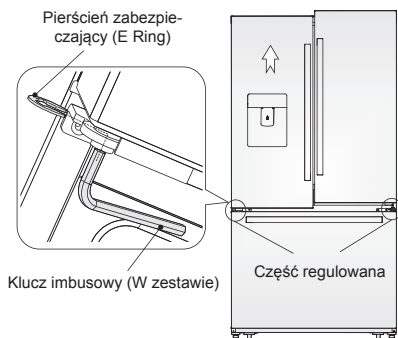
Przed korzystaniem z urządzenia należy sprawdzić uchwyty. Jeśli uchwyty są luźne, należy dopasować je przy użyciu klucza imbusowego, przekręcając w prawo. Każdy uchwyt jest wyposażony w dwie śrubki.



## 5.3 Regulacja drzwi

- Prawe i lewe drzwi są wyposażone w regulowane osie, które znajdują się na dolnych zawiasach.

- Przed regulacją drzwi należy upewnić się, że urządzenie jest wypoziomowane. W tym celu należy odnieść się do poprzedniej części „Poziomowanie”. Jeśli okaże się, że drzwi są nierówne, należy włożyć klucz imbusowy w oś zawiasu i przekręcić w prawo, aby unieść drzwi lub w lewo, aby je obniżyć, a następnie włożyć w szczelinę pierścień zabezpieczający.

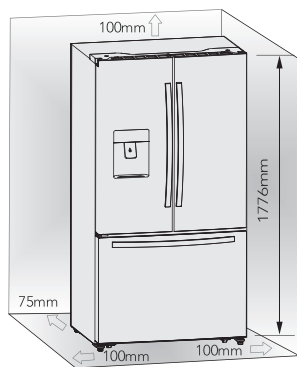


## 5.4 Wentylacja

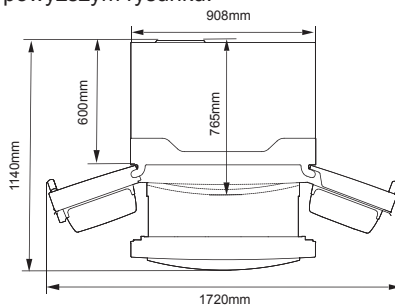
Aby poprawić wydajność systemu chłodzenia i oszczędzać energię, należy zapewnić wokół urządzenia odpowiedni obieg powietrza umożliwiający odprowadzanie ciepła. Z tego powodu wokół urządzenia powinna być zachowana odpowiednia ilość wolnej przestrzeni, a w miejscu ustawienia chłodziarko-zamrażarki nie mogą znajdować się przeszkody, które zakłócałyby obieg powietrza.

## 6. PANEL STEROWANIA

Panel kontrolny, który znajduje się w wygodnym miejscu na drzwiach urządzenia, daje dostęp do wszystkich funkcji i układów sterowania. Klawiatura dotykowa i cyfrowy wyświetlacz pozwalają na łatwą i intuicyjną konfigurację funkcji i ustawień. **Ważna informacja!** Przyciski dotykowe wymagają jedynie krótkiego naciśnięcia, aby zadziałać. Działanie następuje po zwolnieniu palca z przycisku, nie podczas naciskania. Nie trzeba zatem mocno naciskać na klawiaturę dotykową. Funkcja Child Lock związana z



**Wskazówka:** aby zapewnić prawidłowe funkcjonowanie urządzenia, należy zachować odległości określone na powyższym rysunku.



przyciskiem „Alarm” wymaga naciśnięcia trwającego 3 sekundy. Należy odnieść się do odpowiednich części niniejszej Instrukcji, aby uzyskać szczegółowe informacje. Panel sterowania zawiera dwa obszary wskazujące temperaturę, pięć ikon określających różne tryby oraz sześć przycisków dotykowych. Podczas pierwszego uruchomienia podświetlenie ikon na panelu sterowania włącza się. Jeśli nie naciśnięto żadnego przycisku, a drzwi pozostają zamknięte, podświetlenie zgaśnie po 60 sekundach.



## Sprawdzanie temperatury

Przy pierwszym uruchomieniu urządzenia zaleca się ustawienie temperatury w chłodziarce na 5°C a w zamrażarce na -18°C. W przypadku zmiany temperatury należy postępować według poniższej instrukcji.

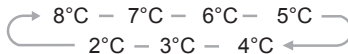


### UWAGA!

Kiedy ustawia się temperaturę, określa się średnią temperaturę dla całej komory chłodziarki. Temperatury wewnątrz poszczególnych komór mogą różnić się od tych wyświetlanych na panelu sterowania w zależności od ilości i miejsca przechowywanej żywności. Temperatura otoczenia również może mieć wpływ na temperaturę wewnątrz urządzenia.

### 6.1 Chłodziarka

Kilkakrotnie nacisnąć przycisk „Fridge”, aby ustawić temperaturę w zakresie od 8°C do 2°C. Z każdym naciśnięciem temperatura będzie zmniejszała się o 1°C, a wskaźnik wyświetli odpowiednią wartość.



### 6.2 Szybkie chłodzenie

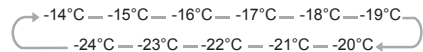


Jeżeli istnieje konieczność przechowania większej ilości ciepłych produktów spożywczych, na przykład po dokonaniu zakupów, zaleca się uruchomienie funkcji Fast Cool w celu szybszego schłodzenia tych produktów bez podwyższania temperatury żywności już przechowywanej w chłodziarce.

- Aby aktywować tę funkcję, należy nacisnąć przycisk „Fast Cool”. Podświetli się ikona Super Cool, a wskaźnik temperatury będzie wyświetlał 2°C.
- Funkcja Super cool wyłącza się automatycznie po 6 godzinach.
- Aby anulować tryb Super cool i powrócić do poprzednich ustawień temperatury, należy nacisnąć przycisk „Fast Cool” lub „Fridge”.

### 6.3 Mrożenie

Nacisnąć przycisk „Freezer”, aby ustawić temperaturę w zakresie od -14°C do -24°C, a wskaźnik temperatury wyświetli odpowiednią wartość.



### 6.4 Szybkie zamrażanie

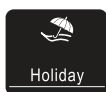


Funkcja Super Freeze gwałtownie obniży temperaturę i zamrozi żywność dużo szybciej niż zazwyczaj. Nacisnąć przycisk „Fast Freeze”, aby włączyć funkcję Super Freeze. Ikona Super Freeze podświetli się, a wskaźnik temperatury wyświetli -24°C.

- Przy pierwszym użyciu lub w przypadku dłuższego nieużywania należy pozwolić, aby urządzenie pracowało przez 6 godzin w normalnym trybie przed uruchomieniem funkcji Super Freeze. Jest to szczególnie ważne, gdy w zamrażarce znajduje się duża ilość żywności.
- Funkcja Super Freeze wyłącza się automatycznie po 26 godzinach, a temperatura spada poniżej -20°C.

- Aby anulować tryb Super Freeze i powrócić do poprzednich ustawień temperatury, należy nacisnąć przycisk „Fast Freeze” lub „Fridge”.  
**Uwaga:** wybierając funkcję Super Freeze należy upewnić się, że w komorze zamrażarki nie ma żadnych butelek lub puszek z napojami (zwłaszcza gazowanymi). Butelki i puszki mogą eksplodować.

## 6.5 Holiday



Funkcja ta ma na celu zminimalizowanie pobierania energii i obniżenie rachunków za elektryczność w momencie, gdy z urządzenia nie

korzysta się przez dłuższy czas. Aby uruchomić tę funkcję, należy na krótko nacisnąć przycisk „Holiday”, aż do momentu podświetlenia ikony Holiday (tryb wakacji).

**Ważna informacja!** W tym czasie nie należy przechowywać w chłodziarce żadnej żywności.

- Gdy funkcja Holiday jest uruchomiona, temperatura w chłodziarce jest ustawiana automatycznie na 15°C, aby zminimalizować pobór energii. Wskaźnik temperatury w chłodziarce wyświetla znak „-”. Zamrażarka wciąż funkcjonuje normalnie.
- Aby anulować tryb wakacji powrócić do poprzednich ustawień temperatury, należy nacisnąć przycisk „Holiday”.

## 6.6 Alarm



Jeśli wystąpi stan alarmowy, podświetli się ikona „Alarm” i uruchomi się sygnał dźwiękowy.

Aby wyłączyć alarm i sygnał dźwiękowy, należy nacisnąć przycisk „Alarm”, po czym zgaśnie także ikona „Alarm”.



### UWAGA!

Włączenie urządzenia po dłuższym czasie nieużywania również może skutkować uaktywnieniem alarmu. W takim przypadku należy nacisnąć przycisk „Alarm”, aby go wyłączyć.

## Alarm otwartych drzwi

Podświetlona ikona alarmu i sygnał dźwiękowy wskazują na nieprawidłowe warunki, takie jak przypadkowo otwarte drzwi lub zakłócenia w dostawie prądu.

- Pozostawienie otwartych drzwi zamrażarki lub chłodziarki na dłużej niż 2 minuty uruchomi alarm otwartych drzwi i sygnał dźwiękowy. Sygnał dźwiękowy będzie wybrzmiewał 3 razy na minutę przez 10 minut. Zamknięcie drzwi spowoduje anulowanie alarmu i wyłączenie sygnału dźwiękowego.
- Aby oszczędzać energię, należy unikać pozostawiania otwartych drzwi na dłuższy czas. Alarm otwartych drzwi można wyłączyć poprzez ich zamknięcie.

## Alarm temperatury

Jest to ważna funkcja, która ostrzega użytkowników o potencjalnym zepsuciu przechowywanej żywności. Jeśli dojdzie do awarii prądu podczas nieobecności użytkownika, alarm temperatury zapamięta temperaturę w zamrażarce w momencie przywrócenia zasilania. Jest to najwyższa możliwa temperatura, którą osiągnęła zamrożona żywność podczas braku zasilania.

Alarm temperatury będzie sygnalizowany podświetleniem ikony alarmu oraz sygnałem dźwiękowy, jeśli odczytywana temperatura jest wyższa niż -9°C. W takim wypadku:

- Podświetli się ikona alarmu;
- Na wskaźniku temperatury zamrażarki pojawi się „H”;
- Sygnał dźwiękowy zabrzmiał 10 razy po uruchomieniu alarmu, a następnie wyłączy się automatycznie.

## Blokada uruchomienia



Nacisnąć i przytrzymać przez 3 sekundy przycisk „Alarm”, aby aktywować blokadę. Zapobiegnie to przypadkowemu naciśnięciu panelu sterowania i zmianie ustawień. W międzyczasie podświetli się ikona „Child Lock”.

- Aby wyłączyć blokadę uruchomienia, należy nacisnąć i przytrzymać przez 3 sekundy przycisk „Alarm”. Ikona „Child Lock” zgaśnie.



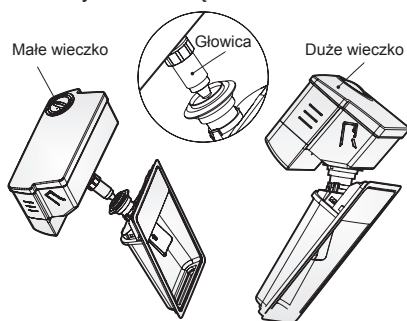


## 7. KORZYSTANIE Z URZĄDZENIA

### 7.1 Dozownik zimnej wody

Dozownik zimnej wody, który znajduje się w lewych drzwiach lodówki, służy do przechowywania wody pitnej. Dzięki tej funkcji dostęp do schłodzonej wody jest możliwy bez otwierania drzwi.

- **Czyszczenie**  
Przed pierwszym dozownikiem wody należy go umyć.  
krok 1: wyjąć dozownik wody  
krok 2: umyć czystą wodą  
krok 3: osuszyć
- **Montaż**  
Aby ponownie zamontować dozownik wody, należy postępować według poniższej instrukcji.
  1. Mocno przytrzymać boki zbiornika na wodę, następnie unieść go i wyjąć z drzwi.
  2. Odkręcić głowicę, przekręcając w lewą stronę.
  3. Włożyć z powrotem w drzwi, a następnie pchnąć zbiornik, aż będzie słychać kliknięcie.



- **OSTRZEŻENIE!**  
Przed włożeniem zbiornika na wodę należy upewnić się, że głowica jest odpowiednio umieszczona w otworze.

#### Napełnianie wodą

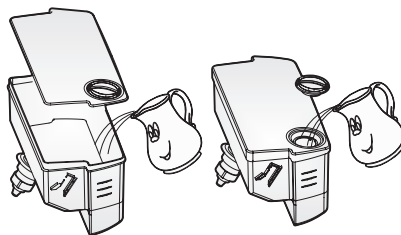
Przed waniem wody pitnej do zbiornika należy upewnić się, że jest on dokładnie umieszczony w odpowiedniej pozycji. Aby zapobiec wylewaniu wody, należy napełniać zbiornik do wysokości poniżej linii oznaczającej maksimum, co odpowiada około 4 litrom płynu. Zbiornik można napełniać na dwa sposoby:

1. Zdejmując małe wieczko i wlewając wodę poprzez wlot dużego wieczka.
2. Zdejmując duże wieczko i nalewając wodę bezpośrednio do zbiornika.

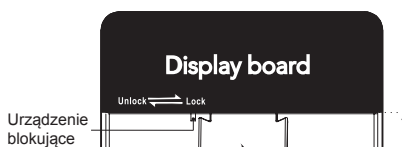


#### UWAGA!

Do zbiornika nie należy wlewać płynów innych niż woda.



- **Blokada**  
Przed użyciem należy upewnić się, że dozownik jest w niezablokowanej pozycji. Urządzenie blokujące znajduje się pod wyświetlaczem, co jest pokazane na rysunku:



#### OSTRZEŻENIE!

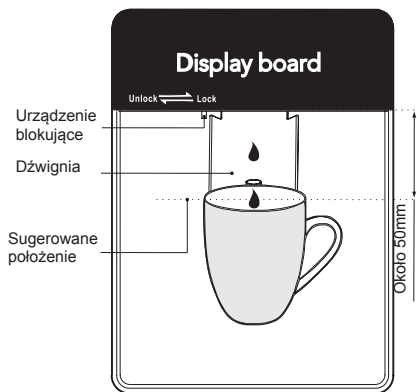
Funkcja blokowania służy do blokady urządzenia. Gdy urządzenie jest w pozycji zablokowanej, nie należy mocno naciskać na dźwignię dozownika, ponieważ może dojść do uszkodzenia.

- **Korzystanie z dozownika wody**  
Do napełniania wodą należy użyć kubka w odpowiednim rozmiarze.



#### OSTRZEŻENIE!

Jeśli kubek nie znajduje się pod dozownikiem, nie należy używać dźwigni. Mogłoby to spowodować wyciek wody z dozownika. Dozownik na wodę powinien być zamontowany nawet jeśli się go nie używa, aby zapobiec wyciekowi zimnego powietrza.



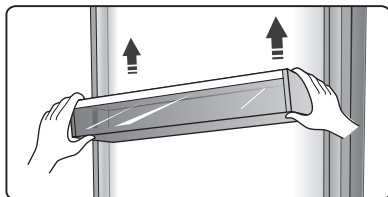
**Uwaga:** Częste korzystanie z dozownika może prowadzić do przepelnienia tacki. W razie potrzeby należy osuszyć taczkę przy pomocy ręcznika.

## 7.2 Półki na drzwiach

Komora chłodziarki jest wyposażona w półki, które nadają się do przechowywania napojów w puszkach i butelkach oraz pakowanej żywności. Na półkach na drzwiach nie należy umieszczać dużych i ciężkich przedmiotów.

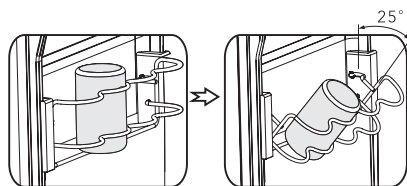
- Wysokość środkowej półki można regulować. Przed uniesieniem i wyjęciem półki należy ją opróżnić. Następnie można dopasować jej wysokość.

**Uwaga:** pojemnik na jajka powinien być umieszczony w górnej półce.



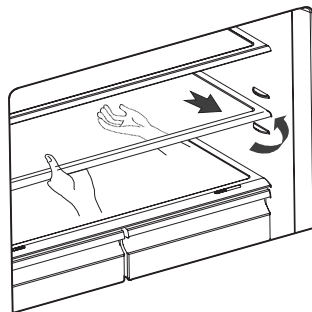
## 7.3 Uchwyt na puszkę

- Na tej półce można przechowywać do 4 puszek standardowej wielkości, pod warunkiem, że ich średnica podstawy jest większa niż 50 mm. Uchwyt przechyla się o 25°, co ułatwia przechowywanie i wyjmowanie napojów.

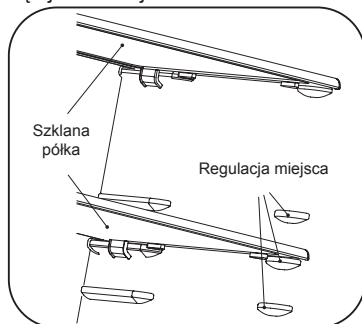


## 7.4 Szklane półki

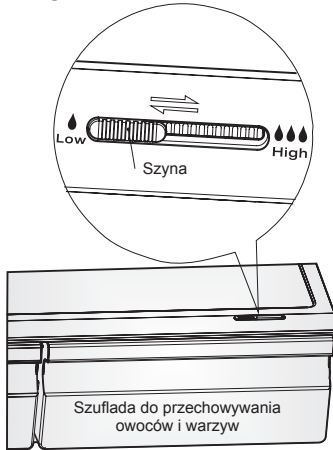
Komora chłodziarki jest wyposażona w dwie szklane półki. Górna półka jest zamontowana na stałe, natomiast dolną można regulować. Dolną półkę można umieścić w trzech miejscach. Półkę można dopasować w zależności od potrzeb:



- Aby wyjąć półki, należy delikatnie pociągnąć je do przodu, aż wyjdą z prowadnic.
- Przed ponownym włożeniem należy upewnić się, że za półkami nie ma żadnych przeszkód, a następnie wsunąć je na miejsce.



## 7.5 Szuflada do przechowywania warzyw i owoców i kontrola wilgotności

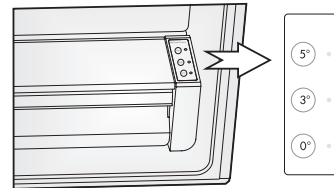


Szuflada do przechowywania warzyw i owoców jest zamontowana na teleskopowych i wysuwanych szynach. Wilgotność można dopasować za pomocą suwaka.

- Poprzez kontrolę wilgotności możliwa jest regulacja obiegu powietrza w szufladzie. Wyższy przepływ powietrza oznacza niższą wilgotność. Aby zwiększyć wilgotność, należy przesunąć suwak w prawo.
- Wysoka wilgotność jest zalecana do przechowywania warzyw, natomiast niska wilgotność jest przeznaczona do przechowywania owoców.
- Aby wyjąć i wyczyścić szufladę na warzywa i owoce lub szufladę zamrażarki, należy postępować według poniższych instrukcji. Opróżnić szufladę i wyciągnąć do końca. Unieść szufladę i wyjąć ją z szyn bocznych. Popchnąć szyny do końca, aby uniknąć uszkodzenia podczas zamykania drzwi.

## 7.6 FRESH ZONE. Precyzyjna kontrola temperatury (Opcjonalnie)

Żywność można przechowywać dłużej w optymalnych temperaturach, ale różne rodzaje pożywienia wymagają innych temperatur przechowywania. Po prawej stronie szuflady znajduje się wyświetlacz. Temperaturę komory można ustawić na 0°C, 3°C i 5°C przy pomocy przycisków „FRESH ZONE”, aby dostosować temperaturę do przechowywanego pożywienia – mięsa, warzyw, owoców lub produktów garmażeryjnych. Aby przechowywać poszczególne produkty w odpowiednich temperaturach, należy zapoznać się z poniższą tabelą.



Produkty garmażeryjne [5°C]	Warzywa [3°C]	0°C [0°C]
Ser	Ogórek	Steki
Szynka	Salata	Ryby
Salami	Pomarańcze	Wędliny
Oliwki	Kukurydza	Drób

## 7.7 Korzystanie z komory chłodziarki

Komora chłodziarki nadaje się do przechowywania warzyw i owoców. Aby zapobiec wysychaniu i przenikaniu różnych smaków, zaleca się oddzielne pakowanie poszczególnych produktów spożywczych.

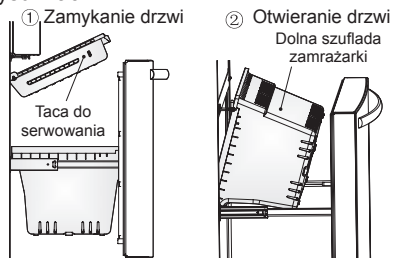
**UWAGA!**

Nigdy nie zamykać drzwi, jeśli półki, szuflada do przechowywania warzyw i owoców i/lub szyby są wysunięte. Może to spowodować uszkodzenie urządzenia.

## 7.8 Korzystanie z szuflady zamrażarki

Szuflada zamrażarki jest odpowiednia do przechowywania mrożonej żywności, takiej jak mięso, lody, itd.

Aby wyjąć szufladę zamrażarki, należy ją wysunąć, przechylić tacę do serwowania ku górze i unieść, otworzyć drzwi zamrażarki do samego końca i wyjąć dolną szufladę tak, jak to pokazano na rysunkach.

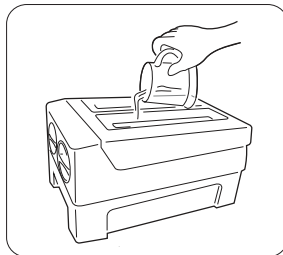
**UWAGA!**

Dzieci i niemowlęta nie mogą wchodzić do chłodziarko-zamrażarki, ponieważ może to spowodować obrażenia ciała i uszkodzenie urządzenia. Nie siadać na drzwiach zamrażarki. Może dojść do pęknięcia drzwi. Dzieci nie mogą wchodzić do kosza zamrażarki.

Po wyjęciu przegródki w celu wyczyszczenia kosza, należy ją później ponownie zamontować, aby dzieci nie zostały przypadkowo uwięzione w koszu.

## 7.9 Obracana kostkarka do lodu

- Obracana kostkarka do lodu znajduje się w górnej szufladzie zamrażarki i służy do robienia oraz przechowywania kostek lodu.
  1. Napełnić wodą pitną do wysokości poniżej oznaczenia maksymalnego poziomu.
  2. Umieścić napełnioną tackę w mocowaniu.
  3. Odczekać 3 godziny, obrócić pokrętła w prawo, a kostki lodu wpadną do pojemnika poniżej.



4. Kostki lodu można przechowywać w pojemniku na lód lub wyciągnąć pojemnik i wyjąć je ze środka.

**Uwaga:** przed pierwszym użyciem lub po długim okresie nieużywania należy wyczyścić kostkarkę.

## 8. PRZYDATNE RADY I WSKAZÓWKI

### 8.1 Rady odnośnie do oszczędzania energii

Zaleca się postępować według poniższych wskazówek, aby oszczędzać energię.

- Nie otwierać drzwi na dłuższy czas, aby oszczędzać energię.
- Upewnić się, że urządzenie znajduje się z dala od źródeł ciepła (bepośrednie światło słoneczne, piekarnik elektryczny lub kuchenka, itd.).
- Nie ustawiać temperatury niższej niż wymagana.
- W urządzeniu nie należy przechowywać ciepłej żywności ani parujących płynów.
- Urządzenie powinno znajdować się w dobrze wietrzonym, suchym pomieszczeniu. Należy odnieść się do rozdziału dotyczącego instalacji urządzenia.
- Rys. 1 w sekcji „Opise urządzenia” pokazuje prawidłowe rozmieszczenie szuflad i półek. Nie należy tego zmieniać, ponieważ taka konfiguracja przekłada się na największą oszczędność energii.

#### Wskazówki dotyczące przechowywania świeżej żywności

- Nie wkładać gorącego pożywienia bezpośrednio do chłodziarki lub zamrażarki. Spowoduje to wzrost temperatury, konieczność wzmożonej pracy kompresora i wzrost spożycia energii.
- Artykuły spożywcze należy przykryć lub owinąć – szczególnie te, które wydzielają intensywny zapach.
- Należy zapewnić swobodny przepływ powietrza wokół artykułów spożywczych.

#### Wskazówki dotyczące przechowywania

- Mięso (wszystkie typy): należy zapakować do polietylenowych woreczków i umieścić na szklanej półce nad pojemnikiem na warzywa. Należy zawsze stosować się do dat ważności i okresów przechowywania określonych przez producentów.
- Żywność gotowana, potrawy na zimno itp.: Należy je przykryć i umieścić na dowolnej półce.

- Owoce i warzywa: Należy je przechowywać w specjalnych szufladach.
- Masło i ser: Powinny być owinięte w szczelną folię lub folię spożywczą.
- Butelki z mlekiem: Powinny mieć założone nakrętki i być przechowywane na półkach na drzwiach.

### 8.2 Wskazówki dotyczące zamrażania

- Przy pierwszym uruchomieniu lub po okresie dłuższego nieużywania, przed włożeniem żywności do komory należy odczekać co najmniej 2 godziny od włączenia urządzenia przy najwyższym ustawieniu.
- Żywność należy dzielić na małe porcje w celu przyspieszenia zamrażania i zwiększenia skuteczności procesu oraz w celu umożliwienia rozmrażania tylko potrzebnych ilości.
- Żywność należy pakować w folię aluminiową lub plastikową zapewniającą hermetyczne zamknięcie.
- Nie dopuszczać do stykania się świeżej, niezamrożonej żywności z zamrożonymi produktami, aby uniknąć podniesienia temperatury produktów zamrożonych.
- Spożywanie zamrożonych płynów bezpośrednio po wyjęciu z komory zamrażarki może spowodować odmrożenia skóry.
- Zaleca się oznaczyć i opatrzyć datą każdą zamrożoną paczkę z żywnością, aby śledzić czas przechowywania.

#### Wskazówki dotyczące przechowywania zamrożonej żywności

- Upewnić się, że zamrożona żywność była odpowiednio przechowywana przez sprzedawcę.
- Po rozmrożeniu żywność szybko się psuje i nie można jej ponownie zamrażać. Nie przekraczać okresu przechowywania podanego przez producenta żywności.

### 8.3 Wyłączanie urządzenia

Jeśli urządzenie ma być wyłączone przez dłuższy czas, należy podjąć następujące działania, aby zapobiec tworzeniu się pleśni.

1. Wyjąć wszystkie artykuły spożywcze.

2. Wyjąć wtyczkę przewodu zasilającego z gniazdka.
3. Dokładnie wymyć i osuszyć wnętrze.
4. Zablokować drzwi w taki sposób, aby pozostawały niedomknięte. W ten sposób powietrze będzie mogło swobodnie krążyć wewnątrz urządzenia.

## 9. CZYSZCZENIE I KONSERWACJA

Ze względów higienicznych wnętrze urządzenia, wraz z akcesoriami wewnętrznymi i zewnętrznymi, należy czyścić regularnie, co najmniej raz na dwa miesiące.



#### UWAGA!

Urządzenie nie może być podłączone do zasilania podczas czyszczenia. Istnieje ryzyko porażenia prądem! Przed czyszczeniem należy wyłączyć urządzenie oraz wyjąć wtyczkę z gniazdka.

### 9.1 Czyszczenie na zewnątrz

Aby urządzenie zachowało ładny wygląd, należy czyścić je regularnie.

- Wyczyścić panel cyfrowy i wyświetlacz przy pomocy czystej i suchej ściereczki.
- Nie należy spryskiwać powierzchni urządzenia wodą. Zamiast tego należy spryskiwać ściereczkę. Pomaga to równomiernie rozprowadzić płyn po powierzchni urządzenia.
- Wymyć drzwi, uchwyty i powierzchnię urządzenia łagodnym detergentem, a następnie wytrzeć suchą ściereczką.



#### UWAGA!

- Nie używać ostrych narzędzi, ponieważ mogą zarysować powierzchnię.
- Do czyszczenia nie używać rozcieńczacza, płynu do czyszczenia samochodów, wybielacza, olejków eterycznych, ściernych środków czyszczących, rozpuszczalników organicznych (np. benzen). Mogą uszkodzić powierzchnię urządzenia i spowodować pożar.

### 9.2 Czyszczenie wewnątrz

- Wnętrze urządzenia należy czyścić regularnie. Czyszczenie jest łatwiejsze, gdy wewnątrz znajduje się mała ilość żywności. Wymyć wnętrze chłodziarko-zamrażarki słabym roztworem sody oczyszczonej, a następnie splukać ciepłą wodą przy pomocy ściereczki lub wykręconej gąbki. Przed włożeniem półek i pojemników należy całkowicie osuszyć wnętrze. Dokładnie osuszyć wszystkie powierzchnie i części ruchome.
- Mimo iż urządzenie rozmraża się automatycznie, cienka warstwa szronu może występować na ścianach wewnętrznych zamrażarki, jeśli jej drzwi są często otwierane lub pozostają otwarte zbyt długo. Jeśli warstwa szronu jest zbyt gruba, należy wybrać moment, gdy ilość pożywienia wewnątrz jest małą, a następnie postępować według poniższej instrukcji:
  1. Wyjąć żywność i pojemniki, wyjąć wtyczkę z gniazdka i pozostawić drzwi otwarte. Zapewnić odpowiednią wentylację pomieszczenia, aby przyspieszyć rozmrażanie.
  2. Po zakończeniu rozmrażania należy wyczyścić zamrażarkę w sposób opisany powyżej.



#### UWAGA!

Nie wolno używać ostrych przedmiotów do usuwania szronu z urządzenia. Urządzenie można z powrotem podłączyć do prądu i uruchomić tylko po całkowitym wyschnięciu wnętrza urządzenia.

### 9.3 Czyszczenie uszczelki na drzwiach

Uszczelkę na drzwiach należy utrzymywać w czystości. Lepkie pożywienie i napoje mogą spowodować, że uszczelka przylepi się do urządzenia i rozerwie podczas otwierania drzwi. Uszczelkę myć ciepłą wodą i łagodnym detergen-tem. Dokładnie opłukać i osuszyć.



#### UWAGA!

Urządzenie można podłączyć do prądu tylko po całkowitym wyschnięciu uszczelki.



#### OSTRZEŻENIE!

Oświetlenie LED nie może być wymieniane przez użytkownika! Jeśli oświetlenie LED jest uszkodzone, należy skontaktować się z infolinią.

## 10. ROZWIĄZYWANIE PROBLEMÓW

Jeśli występuje problem z urządzeniem lub zachodzi podejrzenie, że nie działa ono prawidłowo, należy wykonać poniższe czynności przed zatelefonowaniem do serwisu. Przed zatelefonowaniem do serwisu należy wykonać następujące czynności.



#### OSTRZEŻENIE!

Nigdy nie wolno naprawiać urządzenia samodzielnie. Jeśli problem nadal występuje po wykonaniu wspomnianych czynności, należy skontaktować się z wykwalifikowanym elektrykiem, autoryzowanym serwisantem lub sklepem, w którym zakupiono produkt.

Problem	Prawdopodobna przyczyna i rozwiązanie
Urządzenie nie działa prawidłowo	Sprawdzić, czy wtyczka przewodu zasilającego jest prawidłowo włożona do gniazdka.
	Sprawdzić bezpiecznik lub wyłącznik automatyczny prądu. W razie konieczności wymienić.
	Jest to normalne, że zamrażarka nie działa podczas automatycznego odszraniania lub przez krótki czas po włączeniu chłodziarki. Jest to wynik działania funkcji ochrony kompresora.
Nieprzyjemny zapach z wnętrza	Należy wyczyścić wnętrze chłodziarki.
	Niektóre rodzaje żywności, pojemniki lub folie powodują powstawanie nieprzyjemnych zapachów.
Urządzenie hałasuje	Poniżej wymienione są odgłosy normalnej pracy: Odgłos pracy kompresora. <ul style="list-style-type: none"> <li>Odgłos pracy małego wiatraka w zamrażarce lub innych komorach.</li> <li>Bulgotanie podobne do odgłosu gotującej się wody.</li> <li>Odgłos pęknięcia słyszalny podczas automatycznego odszraniania.</li> <li>Odgłos klikania przed uruchomieniem kompresora.</li> </ul>
	Inne nietypowe odgłosy mogą wynikać z poniższych przyczyn i wymagać sprawdzenia: Urządzenie nie jest wypoziomowane. Tylna część urządzenia dotyka ściany. Butelki lub pojemniki spadły lub przesuwają się.

Silnik działa bez przerwy	<p>Częste odgłosy silnika są normalne. W następujących przypadkach silnik musi pracować częściej:</p> <ul style="list-style-type: none"> <li>• Ustawiona temperatura jest zbyt niska</li> <li>• Ostatnio włożono do urządzenia duże ilości ciepłych artykułów spożywczych.</li> <li>• Temperatura na zewnątrz urządzenia jest zbyt wysoka.</li> <li>• Drzwi pozostają otwarte przez zbyt długi czas.</li> <li>• Po instalacji urządzenia lub urządzenie było wyłączone przez długi czas.</li> </ul>
Warstwa szronu w komorze	<p>Sprawdzić, czy wyloty powietrza nie są zablokowane przez pożywienie i upewnić się, że pożywienie umieszczone w urządzeniu umożliwia dostateczną wentylację. Upewnić się, że drzwi są całkowicie zamknięte. Aby usunąć szron, należy odnieść się do części „Czyszczenie i konserwacja”.</p>
Temperatura wewnątrz jest zbyt wysoka	<p>Drzwi mogły być otwarte zbyt długo, otwierano je zbyt często, lub pozostają otwarte przez jakąś przeszkodę. Urządzenie może też być umieszczone w miejscu, w którym znajduje się zbyt mało przestrzeni po bokach urządzeniach.</p>
Temperatura wewnątrz jest zbyt niska	<p>Zwiększyć temperaturę w sposób opisany w rozdziale „Panel sterowania”.</p>
Drzwi stawiają opór przy zamykaniu.	<p>Sprawdzić, czy górna część urządzenia jest odchylona do tyłu o 10-15 mm, co jest niezbędne do poprawnego funkcjonowania mechanizmu automatycznego zamykania drzwi lub czy przedmiot wewnątrz urządzenia nie uniemożliwia zamykania drzwi.</p>
Woda wycieka na podłogę	<p>Naczynie na wodę (znajdujące się z tyłu dolnej części urządzenia) jest nieodpowiednio wypoziomowane, spust odpływowy (znajdujący się pod górną częścią komory kompresora) nie jest odpowiednio umieszczony i nie kieruje wody do naczynia, spust odpływowy jest zablokowany. Aby sprawdzić naczynie i spust odpływowy, należy odsunąć urządzenie od ściany.</p>
Nie działa oświetlenie	<p>Oświetlenie LED może być uszkodzone. Należy odnieść się do rozdziału „Czyszczenie i konserwacja”. System kontrolny zablokował oświetlenie, ponieważ drzwi były otwarte zbyt długo. Zamknąć i otworzyć drzwi, aby ponownie uruchomić oświetlenie.</p>
Drzwi nie otwierają się swobodnie	<p>Sprawdzić uszczelkę i w razie potrzeby wyczyścić wokół krawędzi drzwi przy użyciu ciepłej wody i płynu do naczyń. Brud i osad mogą zbierać się w tym miejscu i powodować przywieranie drzwi do urządzenia.</p>





## 11. UTYLIZACJA STAREGO URZĄDZENIA

Urządzenie jest wykonane z materiałów nadających się do ponownego użycia. Należy je utylizować zgodnie z lokalnymi wymogami dotyczącymi utylizacji odpadów. Urządzenie zawiera niewielką ilość czynnika chłodniczego (R600a), który znajduje się w obiegu czynnika chłodniczego. Dla bezpieczeństwa użytkownika

przed złomowaniem należy odnieść się do części „urządzenie i ryzyko pożaru”. Przeciąć przewód zasilający, usunąć uszczelkę i blokadę. Należy uważać na system chłodzenia i nie uszkodzić go poprzez nakłucie zbiornika na czynnik chłodniczy i/lub wygięcie rur i/lub zdrażanie pokrycia powierzchni.

### Właściwa utylizacja produktu



Ten symbol na urządzeniu lub opakowaniu oznacza, że urządzenie nie można traktować tak, jak innych odpadów z gospodarstwa domowego. Należy oddać je do właściwego punktu zbiórki odpadów zajmującego się recyklingiem sprzętu elektrycznego i elektronicznego. Właściwa utylizacja i złomowanie pomaga w eliminacji niekorzystnego wpływu złomowanych produktów na środowisko naturalne oraz zdrowie człowieka. Aby uzyskać szczegółowe informacje dotyczące możliwości ponownego przetworzenia niniejszego produktu, należy skontaktować się z miejscowym urzędem miasta, służbami oczyszczania miasta lub sklepem, w którym zakupiono produkt.

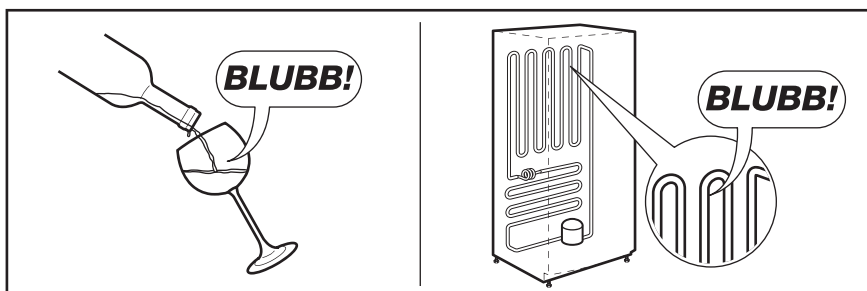
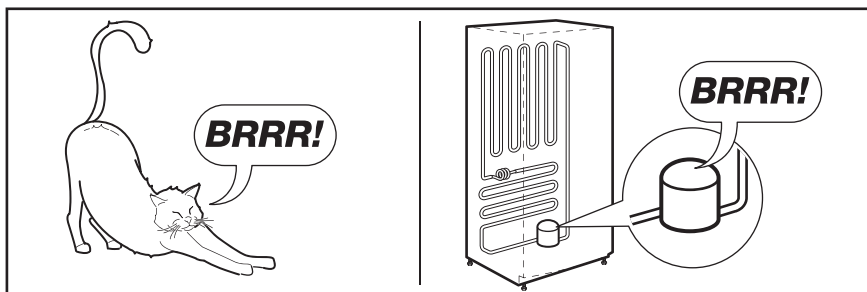
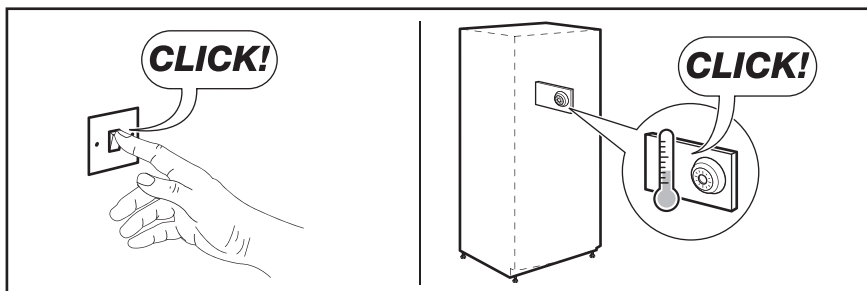
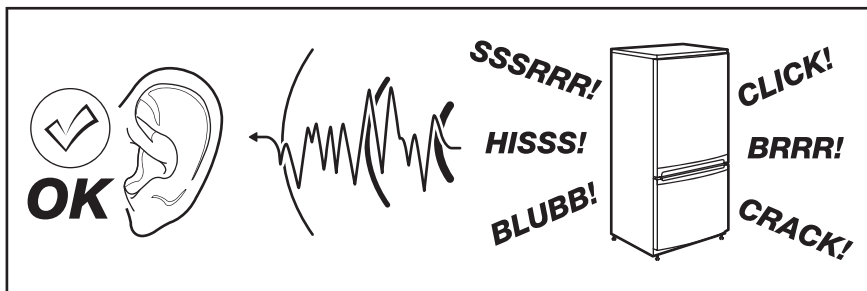
## 12. DANE TECHNICZNE

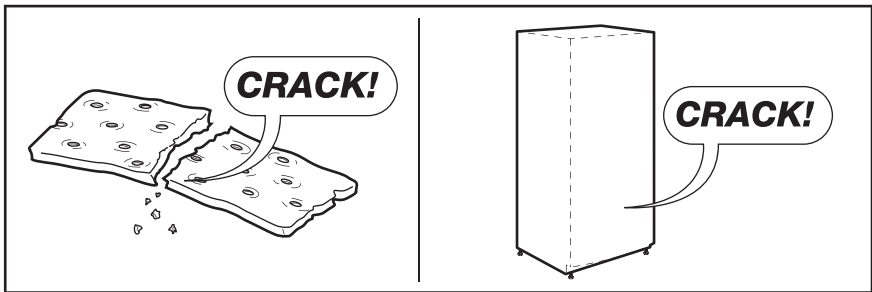
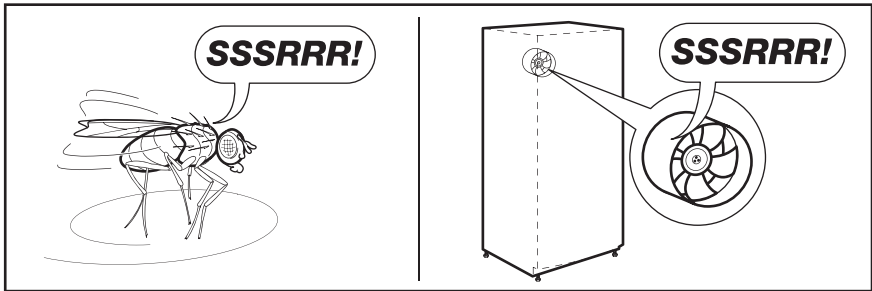
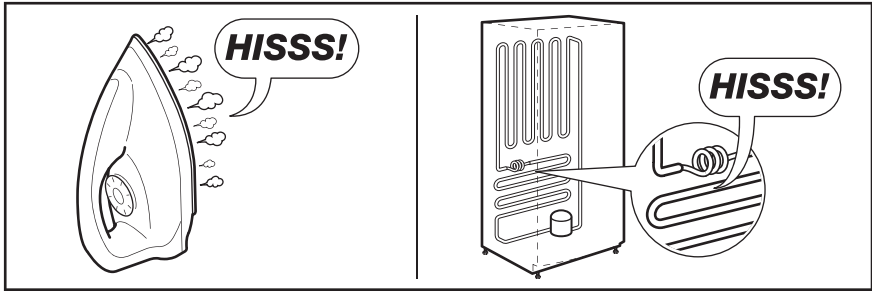
Wymiar	
Wysokość	1766 mm
Szerokość	912 mm
Głębokość	765 mm
Czas utrzymywania temperatury bez zasilania	12 godz.
Napięcie	220-240 V
Częstotliwość	50 Hz

Dane techniczne podano na tabliczce znamionowej znajdującej się po lewej stronie wewnątrz urządzenia oraz na etykiecie informującej o zużyciu energii.

# 13. ODGŁOSY

Podczas normalnej pracy urządzenia słychać odgłosy (sprężarka, obieg czynnika chłodniczego).





# ÍNDICE

1. INFORMAÇÕES DE SEGURANÇA.....	157
2. INSTRUÇÕES DE SEGURANÇA .....	158
3. PREOCUPAÇÕES AMBIENTAIS.....	160
4. DESCRIÇÃO DO APARELHO .....	160
5. INSTALAR O SEU NOVO APARELHO .....	162
6. CONTROLOS DE VISUALIZAÇÃO .....	164
7. UTILIZAR O APARELHO .....	166
8. SUGESTÕES E DICAS ÚTEIS.....	170
9. MANUTENÇÃO E LIMPEZA.....	171
10. RESOLUÇÃO DE PROBLEMAS .....	172
11. ELIMINAÇÃO DO APARELHO.....	174
12. DADOS TÉCNICOS .....	175
13. RUÍDOS .....	175

## PARA RESULTADOS PERFEITOS

Obrigado por escolher este produto Electrolux. Criámo-lo para lhe oferecer um desempenho impecável durante vários anos, com tecnologias inovadoras que tornam a sua vida mais fácil – funcionalidades que poderá não encontrar em aparelhos comuns. Continue a ler durante alguns minutos para tirar o máximo partido do produto.

### Visite o nosso website para:



Resolver problemas e obter conselhos de utilização, catálogos e informações sobre serviços:  
**[www.electrolux.com](http://www.electrolux.com)**



Registe o seu produto para beneficiar de um serviço melhor:  
**[www.electrolux.com/productregistration](http://www.electrolux.com/productregistration)**



Adquirir acessórios, consumíveis e peças de substituição originais para o seu aparelho:  
**[www.electrolux.com/shop](http://www.electrolux.com/shop)**


## APOIO AO CLIENTE E ASSISTÊNCIA


Utilize apenas peças sobressalentes originais.

Quando contactar o nosso Centro de Assistência Autorizado, certifique-se de que tem os seguintes dados disponíveis: modelo, PNC, número de série.

A informação encontra-se na placa de características.

 Aviso/Cuidado - Informações de segurança.

 Informações gerais e sugestões.

 Informações ambientais.

Sujeito a alterações sem aviso prévio.



# 1. INFORMAÇÕES DE SEGURANÇA

Leia atentamente as instruções fornecidas antes de instalar e utilizar o aparelho. O fabricante não é responsável por lesões ou danos resultantes de instalação e utilização incorretas. Guarde sempre as instruções junto do aparelho para futura referência.

## 1.1 Segurança para crianças e pessoas vulneráveis

- Este aparelho pode ser utilizado por crianças de 8 anos ou mais e por pessoas com capacidades físicas, sensoriais ou mentais reduzidas ou com pouca experiência e conhecimento, desde que sejam supervisionadas e instruídas relativamente à utilização do aparelho de forma segura e compreendam os perigos envolvidos.
- Não permita que as crianças brinquem com o aparelho.
- A limpeza e a manutenção básica não devem ser efetuadas por crianças sem supervisão.
- Mantenha todos os materiais de embalagem fora do alcance das crianças.

## 1.2 Segurança geral

- Este aparelho destina-se exclusivamente a utilizações domésticas ou semelhantes, tais como:
  - Casas de campo; áreas de cozinha em lojas destinadas aos funcionários, escritórios e outros ambientes de trabalho.
  - para utilização por parte de hóspedes de hotéis, motéis, pousadas ou outros ambientes de tipo residencial.
- Mantenha desobstruídas as aberturas de ventilação do aparelho ou da estrutura onde ele se encontra encastrado.
- Não utilize um dispositivo mecânico ou qualquer meio artificial para acelerar o processo de descongelação além daqueles recomendados pelo fabricante.
- Não danifique o circuito de refrigeração.
- Não utilize aparelhos elétricos dentro dos compartimentos de armazenamento de alimentos, a não ser que sejam do tipo recomendado pelo fabricante.
- Não utilize jatos de água ou vapor para limpar o aparelho.
- Limpe o aparelho com um pano macio e húmido. Utilize apenas detergentes neutros. Não utilize produtos abrasivos, esfregões, solventes ou objetos metálicos.

- Não coloque substâncias explosivas como as embalagens de aerossóis com um propulsor inflamável no interior deste aparelho.
- Se o cabo de alimentação estiver danificado, deve ser substituído pelo fabricante, por um agente de assistência ou por uma pessoa igualmente qualificada, para evitar perigos.
- Se o aparelho estiver equipado com um dispositivo de fazer gelo ou um dispensador de água, encha-os apenas com água potável.
- Se o aparelho necessitar de uma ligação de água, ligue-o apenas a uma fonte de água potável.
- A pressão de entrada de água tem de estar entre um mínimo de 1 bar (0,1 MPa) e um máximo de 10 bar (1 MPa).

## 2. INSTRUÇÕES DE SEGURANÇA

### 2.1 Instalação



#### AVISO!

A instalação deste aparelho só deve ser efetuada por uma pessoa qualificada.

- Retire a embalagem toda.
- Não instale nem utilize o aparelho se estiver danificado.
- Cumpra as instruções de instalação fornecidas com o aparelho.
- Tenha sempre cuidado quando deslocar o aparelho porque o aparelho é pesado. Use sempre luvas de proteção.
- Certifique-se de que o ar pode circular em torno do aparelho.
- Aguarde pelo menos 4 horas antes de ligar o aparelho à fonte de alimentação. Isto permite que o óleo regresse ao compressor.
- Não instale o aparelho perto de radiadores, fogões, fornos ou placas.
- A parte traseira do aparelho deve ficar virada para uma parede.
- Não instale o aparelho em locais com luz solar direta.
- Não instale este aparelho em áreas demasiado húmidas nem demasiado frias, tais como anexos, garagens ou adegas.
- Quando deslocar o aparelho, eleve-o pela extremidade dianteira para evitar riscar o chão.

### 2.2 Ligação elétrica



#### AVISO!

Risco de incêndio e choque elétrico.

- O aparelho tem de ficar ligado à terra.
- Certifique-se de que a informação sobre a ligação elétrica existente na placa de características está em conformidade com a alimentação elétrica. Se não estiver, contacte um electricista.
- Utilize sempre uma tomada devidamente instalada e à prova de choques elétricos.
- Não utilize adaptadores de tomadas duplas ou triplas, nem cabos de extensão.
- Certifique-se de que não danifica os componentes elétricos (por ex. a ficha e o cabo de alimentação elétrica, compressor). Contacte a assistência ou um electricista para substituir os componentes elétricos.
- O cabo de alimentação elétrica deve ficar abaixo do nível da ficha de alimentação.  
Ligue a ficha à tomada de alimentação elétrica apenas no final da instalação. Certifique-se de que a ficha fica acessível após a instalação.  
Não puxe o cabo de alimentação para desligar o aparelho. Puxe sempre a ficha.



## 2.3 Utilização



### AVISO!

Risco de ferimentos, queimaduras, choque elétrico ou incêndio.

- Não altere as especificações deste aparelho.
- Não coloque dispositivos elétricos (por ex. máquinas de fazer gelados) no interior do aparelho, exceto se forem considerados aplicáveis pelo fabricante.
- Tenha cuidado para não provocar danos no circuito de refrigeração. Contém isobutano (R600a), um gás natural com um alto nível de compatibilidade ambiental. Este gás é inflamável.
- Se ocorrerem danos no circuito de refrigeração, certifique-se de que não existem chamas e fontes de ignição na divisão. Ventile bem a divisão.
- Não permita que itens quentes toquem nas peças de plástico do aparelho.
- Não coloque refrigerantes dentro do compartimento de congelação. Isto irá criar pressão no recipiente da bebida.
- Não guarde gases e líquidos inflamáveis no aparelho.
- Não coloque produtos inflamáveis, nem objetos molhados com produtos inflamáveis, no interior, perto ou em cima do aparelho.
- Não toque no compressor nem no condensador. Eles estão quentes.
- Não remova nem toque em peças do compartimento de congelação com as mãos húmidas ou molhadas.
- Não volte a congelar alimentos que já foram descongelados.
- Cumpra as instruções de armazenamento das embalagens dos alimentos congelados.

## 2.4 Iluminação interior

- O tipo de lâmpada utilizado neste aparelho não é adequado para iluminação doméstica.

## 2.5 Manutenção e limpeza



### AVISO!

Risco de ferimentos ou danos no aparelho.

- Antes de qualquer ação de manutenção, desative o aparelho e desligue a ficha da tomada elétrica.
- Este aparelho contém hidrocarbonetos na sua unidade de arrefecimento. A manutenção e o recarregamento só devem ser efetuados por uma pessoa qualificada.
- Inspeccione regularmente o escoamento do aparelho e limpe-o, se necessário. Se o orifício de escoamento estiver bloqueado, a água descongelada fica acumulada na parte inferior do aparelho.

## 2.6 Eliminação





### AVISO!

Risco de ferimentos ou asfixia.

- Desligue o aparelho da alimentação elétrica.
- Corte o cabo de alimentação elétrica e elimine-o.
- Retire a porta para evitar que crianças e animais de estimação possam ficar presos no interior do aparelho.
- O circuito de refrigeração e os materiais de isolamento deste aparelho não prejudicam a camada de ozono.
- A espuma de isolamento contém gás inflamável. Contacte a sua autoridade municipal para saber como eliminar o aparelho corretamente.
- Não provoque danos na parte da unidade de arrefecimento que está próxima do permutador de calor.

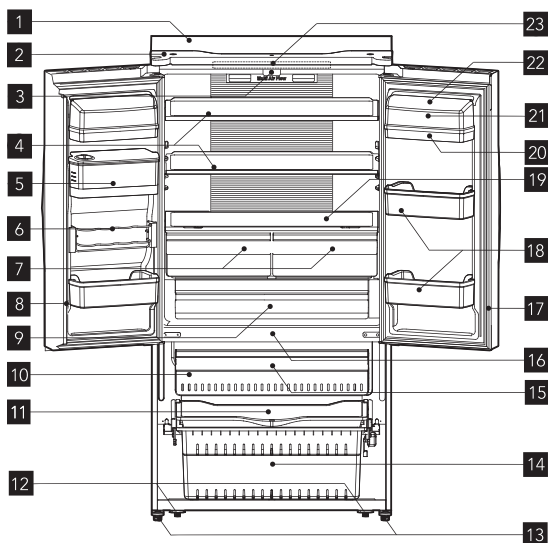
### 3. PREOCUPAÇÕES AMBIENTAIS

Recicle os materiais que apresentem o símbolo . Coloque a embalagem nos contentores indicados para reciclagem. Ajude a proteger o ambiente e a saúde pública através da reciclagem de resíduos de aparelhos elétricos e

eletrónicos. Não elimine os aparelhos que tenham o símbolo  juntamente com os resíduos domésticos. Coloque o produto num ponto de recolha para reciclagem local ou contacte as suas autoridades municipais.

### 4. DESCRIÇÃO DO APARELHO

#### 4.1 Vista 1 do aparelho

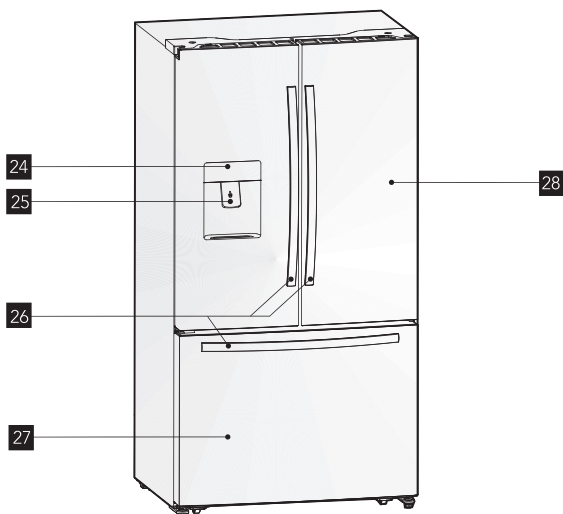


- |  |   |
|--|---|
| <b>1</b> Exterior do aparelho                      | <b>12</b> Rodas                             |
| <b>2</b> Proteção superior                         | <b>13</b> Pés inferiores ajustáveis         |
| <b>3</b> Bloco guia do dissipador vertical         | <b>14</b> Gaveta inferior do congelador     |
| <b>4</b> Prateleira de vidro                       | <b>15</b> Gaveta superior para congelador   |
| <b>5</b> Caixa de armazenamento de água            | <b>16</b> Luz LED do congelador (interior)  |
| <b>6</b> Prateleira flexível para bebidas em lata  | <b>17</b> Vedante para porta de frigorífico |
| <b>7</b> Gaveta para fruta e legumes               | <b>18</b> Prateleira inferior               |
| <b>8</b> Peça do dissipador vertical               | <b>19</b> Proteção da gaveta dos legumes    |
| <b>9</b> Gaveta de temperatura variável            | <b>20</b> Prateleira superior               |
| <b>10</b> Tabuleiro giratório para gelo (interior) | <b>21</b> Tabuleiro para ovos (interior)    |
| <b>11</b> Tabuleiro                                | <b>22</b> Tampa da prateleira               |
|  | <b>23</b> Luz LED do frigorífico (interior) |





## 4.2 Vista 2 do aparelho



**24** Placa de visualização

**25** Dispensador de água fria

**26** Pegas

**27** Porta de congelador

**28** Porta de frigorífico

**Nota:** devido à melhoria contínua dos nossos produtos, o seu frigorífico pode divergir ligeiramente da ilustração apresentada, mas as respetivas funções e métodos de utilização permanecem iguais.

**Nota:** para obter a melhor eficiência energética deste produto, coloque todas as prateleiras, gavetas e cestos na posição original, tal como na ilustração acima.



Este aparelho é vendido em França. De acordo com os regulamentos em vigor nesse país, este aparelho tem de estar equipado com um dispositivo especial (ver figura) colocado no compartimento inferior do frigorífico para indicar a zona mais fria.

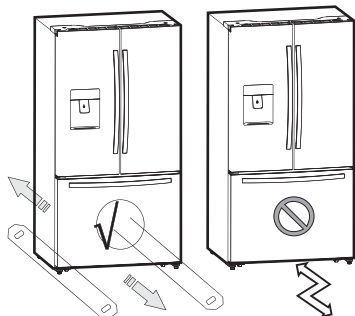
## 5. INSTALAR O SEU NOVO APARELHO

Esta secção explica a instalação do novo aparelho antes de o utilizar pela primeira vez. Recomendamos que leia as sugestões que se seguem.

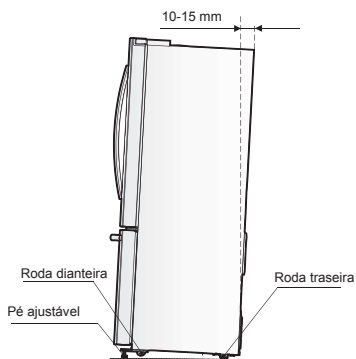


### AVISO!

Para uma instalação correta, este frigorífico deve ser colocado numa superfície nivelada de material rígido que seja da mesma altura que o restante pavimento. Essa superfície deve ser robusta o suficiente para suportar um frigorífico cheio ou aproximadamente 120 kg (266 lbs). Quando deslocar o aparelho, puxe a unidade para fora e empurre-a sempre na vertical.



- Incline a parte superior para trás 10-15 mm rodando os pés mais 1~2 volta(s). Isto permite que as portas fechem de forma automática e correta.
- Sempre que pretender deslocar o aparelho, lembre-se de levantar o aparelho para que o aparelho possa rodar livremente. Volte a instalar o aparelho sempre que o mudar de lugar.



### AVISO!

As rodas, que não são rodízios, só devem ser utilizadas para deslocar o aparelho para a frente ou para trás. Deslocar o frigorífico para os lados pode danificar o pavimento e as rodas.

Classe	Símbolo	Intervalo de temperatura ambiente (°C)
Temperada alargada	SN	+10 até +32
Temperada	N	+16 até +32
Subtropical	ST	+16 até +38
Tropical	T	+16 até +43

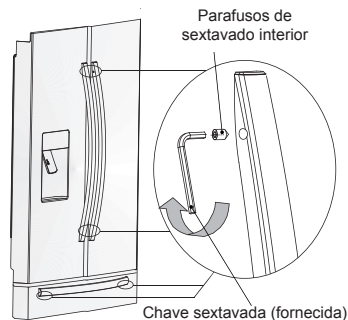
### 5.1 Nivelamento do aparelho

Para um nivelamento adequado e para evitar vibração, este aparelho inclui pés ajustáveis na parte dianteira. Ajuste o nível seguindo as instruções abaixo:

- Faça o frigorífico deslizar até ao devido lugar.
- Rode os pés ajustáveis (com os dedos ou uma chave de porcas adequada) até tocarem no chão.

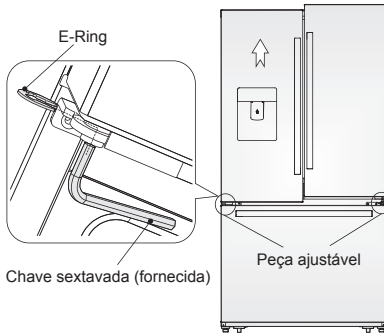
### 5.2 Ajustar a pega da porta

Antes de utilizar o aparelho, verifique as pegas do frigorífico. Se as pegas estiverem soltas, utilize uma chave sextavada para rodá-las para a direita até bloquearem corretamente. Cada uma das pegas inclui 2 parafusos.



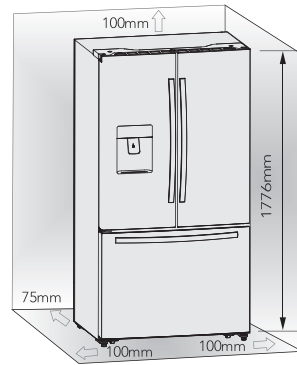
### 5.3 Ajustar as portas

- As portas esquerda e direita estão equipadas com eixos ajustáveis, situados nas dobradiças inferiores.
- Antes de ajustar as portas, certifique-se de que o frigorífico está nivelado. Reveja a secção anterior intitulada "Nivelamento do aparelho". Se a parte superior das portas estiver desnivelada, introduza a chave sextavada no eixo da dobradiça e rode-a para a direita para elevar a porta ou para a esquerda para baixar a porta, e introduza um E-Ring na abertura.

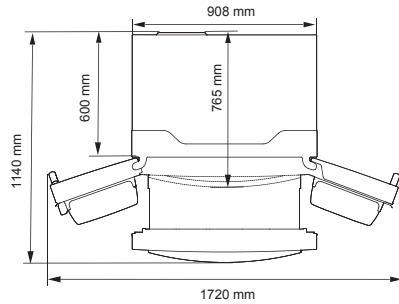


### 5.4 Ventilação do aparelho

Para melhorar a eficiência do sistema de refrigeração e poupar energia, é necessário manter uma ventilação adequada em torno do aparelho para uma correta dissipação do calor. Por este motivo, deve deixar espaço suficiente em torno do frigorífico e a área deve estar livre de obstruções que afetem a circulação de ar.



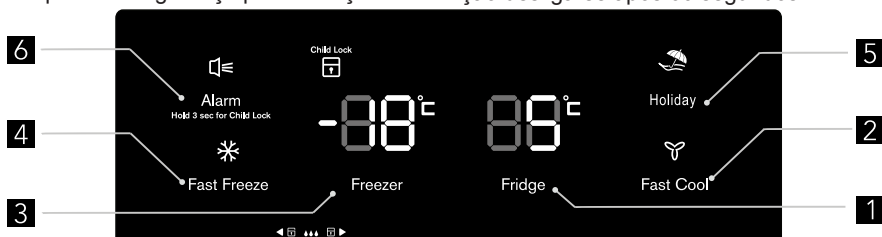
**Sugestão:** para garantir o correto funcionamento do aparelho, mantenha as distâncias indicadas no gráfico acima.



## 6. CONTROLOS DE VISUALIZAÇÃO

Todas as funções e controlos da unidade são acessíveis a partir de um painel de controlo convenientemente localizado na porta do frigorífico. Um teclado de botões tácteis e um visor digital permitem uma configuração fácil das funcionalidades e das definições de forma fácil e intuitiva. **Importante!** Os botões tácteis funcionam apenas com uma pressão curta num botão. A operação ocorre ao tirar o dedo do botão e não enquanto o botão está premido. Não há necessidade de aplicar pressão no teclado. A função de bloqueio de segurança para crianças

associada ao botão "Alarm" requer uma pressão longa de pelo menos 3 segundos. Consulte as secções relacionadas deste manual para obter instruções detalhadas. O painel de controlo é constituído por duas áreas de indicação de temperatura, cinco ícones que representam diferentes modos e seis botões tácteis. Quando o aparelho é ligado pela primeira vez, a retroiluminação dos ícones no painel do visor acende-se. Se não premir nenhum botão e as portas permanecerem fechadas, a retroiluminação desliga-se após 60 segundos.



### Controlar a temperatura

Quando ligar o frigorífico pela primeira vez, recomendamos que a temperatura do frigorífico seja definida para 5 °C e a do congelador para -18 °C. Se pretender alterar a temperatura, siga as instruções abaixo.

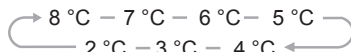


#### **CUIDADO!**

Ao definir uma temperatura, define uma temperatura média para todo o frigorífico. As temperaturas no interior de cada compartimento podem variar em relação aos valores de temperatura apresentados no painel, dependendo de quantos alimentos contém e da respetiva disposição. A temperatura ambiente também pode afetar a temperatura no interior do aparelho.

### 6.1 Frigorífico

Prima repetidamente o botão "Fridge" para definir a temperatura pretendida para o frigorífico, entre 8 °C e 2 °C. A temperatura diminui 1 °C com cada toque e o indicador de temperatura do frigorífico apresenta o valor correspondente de acordo com a seguinte sequência.



### 6.2 Fast Cool

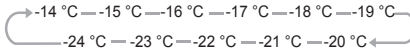


Se necessitar de inserir uma grande quantidade de alimentos quentes, por exemplo após fazer as compras, sugerimos que ative a função Fast Cool para arrefecer os produtos mais rapidamente e para evitar aquecer os outros alimentos que já estejam no frigorífico.

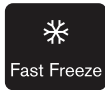
- Prima o botão "Fast Cool" para ativar esta função. O ícone Super Cool acende-se e o indicador de temperatura do frigorífico apresenta 2 °C.
- A função Super Cool é desativada automaticamente cerca de 6 horas depois.
- Prima "Fast Cool" ou "Fridge" para cancelar o modo Super Cool e reverter para as definições de temperatura anteriores.

### 6.3 Congelar

Prima o botão "Freezer" para definir a temperatura do congelador entre -14 °C e -24 °C segundo a sua preferência. O indicador de temperatura do congelador apresenta o valor correspondente de acordo com a seguinte sequência.



### 6.4 Fast Freeze



A função Super Freeze permite reduzir rapidamente a temperatura de congelação e congelar os alimentos de forma significativamente mais

rápida do que o habitual.

Prima o botão "Fast Freeze" para ativar a função Super Freeze. O ícone Super Freeze acende-se e a definição de temperatura do congelador apresenta -24 °C.

- Para a primeira utilização, ou após um período de inatividade, aguarde 6 horas em modo normal antes de utilizar o modo Super Freeze. Isto é particularmente importante se colocar uma grande quantidade de alimentos no congelador.
- O modo Super Freeze desliga-se automaticamente após 26 horas de utilização e a temperatura do congelador desce abaixo de -20 °C.
- Prima "Fast Freeze" ou "Freezer" para cancelar o modo Super Freeze e reverter para as definições de temperatura anteriores.

**Nota:** quando selecionar a função Super Freeze, certifique-se de que não há bebidas em lata ou garrafa (sobretudo bebidas gasosas) no compartimento do congelador. As garrafas e as latas podem explodir.

### 6.5 Holiday



Esta função foi concebida para minimizar o consumo de energia quando o veículo não é utilizado durante um longo período de tempo. Pode ativar

esta função premindo rapidamente o botão "Holiday" até acender o ícone de luz Holiday.

**Importante!** Não coloque outros alimentos no compartimento do frigorífico durante esse período.

- Quando a função Holiday estiver ativada, a temperatura do frigorífico é automaticamente alterada para 15 °C para minimizar o consumo de energia. A definição de temperatura do frigorífico apresenta "-" e o compartimento do congelador permanece ativo.
- Prima o botão "Holiday" para cancelar o modo Holiday e reverter para as definições de temperatura anteriores.

### 6.6 Alarme



Em caso de alarme, o ícone "Alarm" acende-se e soa um aviso sonoro.

Prima o botão "Alarm" para parar o alarme e o aviso sonoro. Em seguida, o ícone "Alarm" apaga-se.



**CUIDADO!**

Quando o frigorífico é ligado após um período de inatividade, o alarme poderá ativar-se. Nesse caso, prima o botão "Alarm" para o cancelar.

### Alarme da porta

- A luz de alarme acesa e um aviso sonoro indicam condições anormais, tais como uma porta acidentalmente aberta ou um corte de energia da unidade. Deixar qualquer porta do frigorífico ou do congelador aberta por mais de 2 minutos ativa o alarme da porta e o aviso sonoro. O aviso sonoro soa 3 vezes por minuto durante 10 minutos. Para cancelar o alarme da porta e o sinal sonoro, basta fechar a porta.
- Para poupar energia, evite manter as portas abertas muito tempo quando utilizar o frigorífico. O alarme da porta também pode ser desligado fechando

as portas.

## Alarme de temperatura

Esta funcionalidade é importante para alertar os utilizadores de possíveis danos aos alimentos guardados. Se ocorrer um corte de energia, por ex. um corte da energia elétrica enquanto estiver ausente, o alarme de temperatura memoriza a temperatura do congelador quando a energia for reposta; é provável que esta seja a temperatura máxima atingida pelos itens congelados.

Uma condição de alarme de temperatura será indicada pela luz de alarme e por um aviso sonoro quando a leitura de temperatura for superior a  $-9^{\circ}\text{C}$ . Então:

- a- O ícone Alarm acende-se;
- b- O indicador de temperatura do conge-

lador apresenta "H";  
c- O aviso sonoro soa 10 vezes quando o alarme é acionado e depois para automaticamente.

## Bloqueio para crianças



Mantenha premido o botão "Alarm" durante 3 segundos para ativar o bloqueio de segurança para crianças. Isto desativa o visor para evitar alterações acidentais das definições. Além disso, o ícone "Child Lock" acende-se.

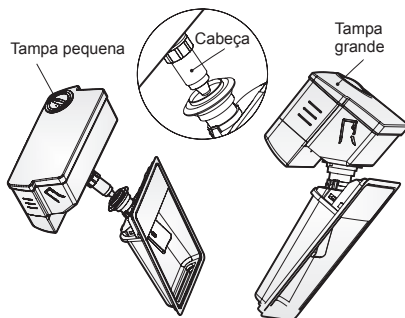
- Para sair do modo de bloqueio de segurança para crianças, mantenha premido o botão "Alarm" durante 3 segundos. O ícone "Child Lock" desligar-se-á.

# 7. UTILIZAR O APARELHO

## 7.1 Dispensador de água fria

O dispensador de água fria, localizado na porta esquerda do frigorífico, é utilizado para armazenar água potável. Esta função dispensa água fria sem necessidade de abrir a porta.

- Limpeza
  - Limpe o dispensador de água antes de o utilizar pela primeira vez.
  - Passo 1: retire o dispensador de água.
  - Passo 2: lave-o com água limpa.
  - Passo 3: seque-o.
- Montagem
  - Consulte as instruções que se seguem para voltar a montar o dispensador.
  - 1. Segure firmemente ambos os lados do depósito de água, levante-o e puxe-o para fora da porta.
  - 2. Desaparafuse a cabeça para a esquerda.
  - 3. Volte a introduzir ambos os lados do depósito na porta e empurre-o até ouvir um estalido.



### AVISO!

Ao introduzir o depósito de água, certifique-se de que a cabeça encaixa corretamente no orifício.

### Enchimento com água:

antes de encher o depósito de água com água potável, certifique-se de que o depósito de água está bem fixo e na posição correta. Para evitar que a água trasborde, encha o depósito de água abaixo da marca de nível máximo, aproximadamente 4,0 litros. Há duas formas de encher o depósito de água:

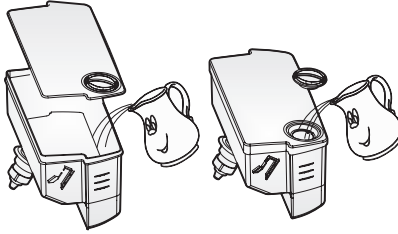
1. Removendo a tampa pequena e enchendo com água a partir da entrada da tampa grande.

2. Removendo a tampa grande do depósito e enchendo diretamente o depósito com água.



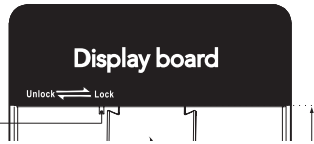
**CUIDADO!**

Não encha o depósito de água com outro líquido senão água.



- Bloqueio  
Antes de dispensar água, certifique-se de que o dispensador está na posição de "desbloqueio". O dispositivo de bloqueio encontra-se por baixo da placa de visualização, tal como na imagem:

Dispositivo de bloqueio



**AVISO!**

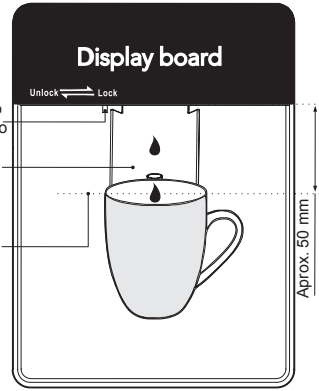
A função de bloqueio é utilizada para bloquear o dispositivo. Não pressione a alavanca do dispensador com força quando o dispensador estiver na posição de bloqueio, pois pode danificar o dispensador.

- Utilizar o dispensador de água  
Deve utilizar um recipiente do tamanho correto para obter água do dispensador.



**AVISO!**

Não levante a patilha do dispensador se não colocar um recipiente por baixo, caso contrário poderão ocorrer fugas de água do dispensador. Mantenha o dispositivo de abastecimento de água instalado quando o dispensador de água não for utilizado para evitar fugas de ar frio.



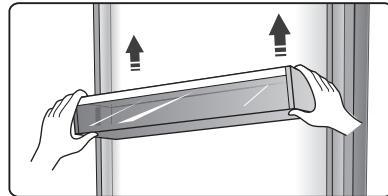
**Nota:** a utilização frequente do dispensador de água pode levar ao derrame de gotas no tabuleiro, que poderá transbordar. Seque o tabuleiro com um pano conforme necessário.

## 7.2 Prateleira de porta

O compartimento do frigorífico inclui prateleiras de porta para guardar bebidas em lata, garrafas e alimentos embalados. Não coloque muitos itens e alimentos pesados nas prateleiras de porta.

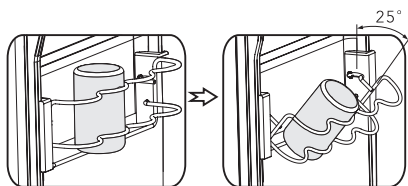
- A prateleira de porta central foi concebida para ajustar-se a diferentes alturas de acordo com as suas necessidades. Esvazie a prateleira antes de erguê-la para a remover. Em seguida, coloque a prateleira à altura desejada.

**Nota:** também é fornecido um tabuleiro para ovos, que deverá encontrar na prateleira superior.

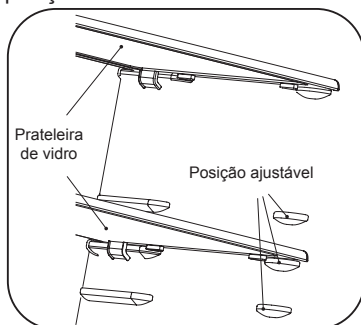


### 7.3 Prateleira para bebidas em lata

- Esta prateleira tem capacidade para um máximo de 4 latas de tamanho normal, mas não é adequada para latas com diâmetro inferior a 50 mm. A prateleira também pode rodar 25° se necessário, para facilitar o processo de colocar ou retirar bebidas.

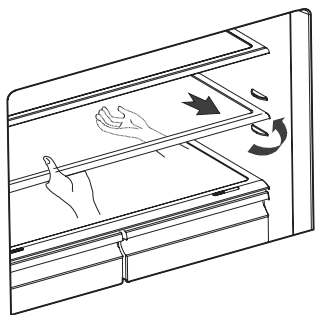


- Ao voltar a colocar as prateleiras, certifique-se de que não existe nenhum obstáculo por trás e empurre-as cuidadosamente até encaixarem na devida posição.



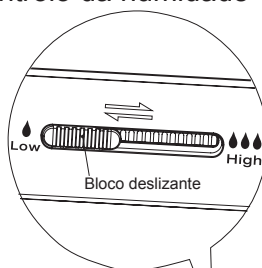
### 7.4 Prateleiras de vidro

O compartimento do frigorífico inclui duas prateleiras de vidro. Enquanto a prateleira superior foi concebida para ser fixa, a prateleira inferior é ajustável. Existem três posições onde pode colocar a prateleira inferior. Ajuste a altura da prateleira de acordo com as suas necessidades:



- Ao remover as prateleiras, puxe-as cuidadosamente até estas saírem das guias.

### 7.5 Gaveta dos legumes e controlo da humidade



A gaveta, montada em calhas de extensão telescópica, destina-se a fruta e legumes. Pode ajustar a humidade no seu interior através do bloco deslizante.

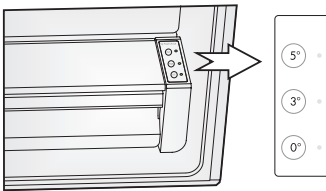
- O controlo da humidade ajusta o fluxo de ar na gaveta; quanto maior for o fluxo de ar, menor será a humidade. Faça deslizar o controlo da humidade para a direita para aumentar a humidade.
- Recomendam-se definições de humidade elevada para legumes e humidade baixa para fruta.



- Siga estas instruções simples para remover a gaveta dos legumes, ou a gaveta do congelador, para a limpar. Esvazie a gaveta dos legumes e puxe-a para fora até à posição de abertura máxima. Levante a gaveta dos legumes das calhas laterais. Empurre as calhas para dentro para evitar a ocorrência de danos quando fechar a porta.

### 7.6 ZONA FRESCA. Controlo preciso da temperatura (opcional)

Os alimentos podem manter-se frescos durante mais tempo quando guardados à temperatura ideal, mas diferentes tipos de alimentos requerem diferentes temperaturas. Existe um visor da gaveta para frescos no lado direito da gaveta. Utilizando os botões "FRESH ZONE", pode definir a temperatura do compartimento para 0 °C, 3 °C e 5 °C para adequar-se a carne, ou fruta e legumes, ou produtos de charcutaria, respetivamente. Consulte a tabela abaixo para conhecer as definições recomendadas de acordo com as suas necessidades.



Deli [5 °C]	Vege. [3 °C]	0 °C [0 °C]
Queijo	Pepinos	Bifes
Presunto	Alface	Peixe
Salame	Laranjas	Carnes frias
Azeitonas	Milho	Aves

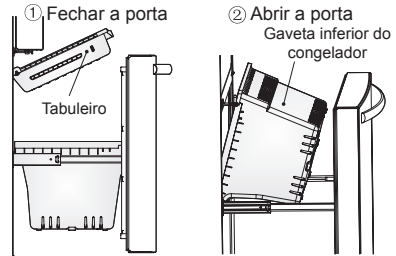
### 7.7 Utilizar o compartimento do frigorífico

O compartimento do frigorífico é adequada para fruta e legumes. Recomenda-se a separação de alimentos diferentes em bolsas separadas para evitar a perda de humidade ou a passagem de sabor para outros alimentos.

**! CUIDADO!**  
 Nunca feche as portas quando as prateleiras, a gaveta e/ou as calhas telescópicas estiverem abertas. Isso pode danificar a unidade.

### 7.8 Utilizar a gaveta do congelador

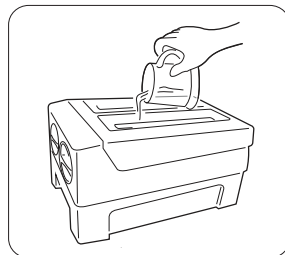
A gaveta do congelador é adequada para conservar alimentos que devem ser congelados, como carne, gelado, etc. Para remover a gaveta do congelador, puxe-a para fora na totalidade e abra as portas do frigorífico até ao ângulo máximo. Assim, a gaveta inferior do congelador pode ser removida, conforme ilustrado nas imagens seguintes.



**! CUIDADO!**  
 Não permita que bebés ou crianças entrem no frigorífico para evitar o risco de ferimentos pessoais ou danos no frigorífico. Não se sente na porta do congelador. A porta pode partir-se. Não permita que as crianças entrem no cesto do congelador.  
 Se remover a divisória para limpar o depósito do cesto, deve voltar a colocar a divisória depois da limpeza para evitar que as crianças fiquem presas no interior do cesto.

## 7.9 Tabuleiro giratório para gelo

- O tabuleiro giratório para gelo é colocado na gaveta superior do congelador para fazer e conservar cubos de gelo.
  1. Encha-o com água potável sem ultrapassar a marca de nível máximo.
  2. Volte a colocar o tabuleiro para gelo cheio no suporte.
  3. Aguarde cerca de 3 horas, rode os manípulos para a direita e o gelo cairá na caixa de gelo que se encontra por baixo.



4. Os cubos de gelo podem ser conservados na caixa de gelo e, se necessário, basta abrir a caixa de gelo e retirá-los.

**Nota:** se o tabuleiro para gelo for utilizado pela primeira vez ou não for utilizado durante muito tempo, limpe-o antes de o utilizar.

## 8. SUGESTÕES E DICAS ÚTEIS

### 8.1 Sugestões para economizar energia

Recomendamos que siga as sugestões abaixo para poupar energia.

- Procure evitar manter a porta aberta durante longos períodos para poupar energia.
- Certifique-se de que o aparelho está afastado de fontes de calor (luz solar direta, forno ou forno elétrico, etc.).
- Não defina uma temperatura mais fria do que o necessário.
- Não guarde alimentos quentes ou líquidos que se evaporam no aparelho.
- Coloque o aparelho num local bem ventilado e sem humidade. Consulte o capítulo "Instalar o seu novo aparelho".
- A vista 1 na secção "Descrição do aparelho" ilustra a organização correta das gavetas e das prateleiras. Não altere a combinação, uma vez que esta foi concebida para ser a configuração mais eficiente em termos energéticos.

#### Sugestões para a refrigeração de alimentos frescos

- Não coloque alimentos quentes diretamente no frigorífico nem no congelador, já que isto leva ao aumento da temperatura interna. Isto exige um maior esforço por parte do compressor e, por conseguinte, um maior consumo de energia.

- Cubra ou embrulhe os alimentos, particularmente se tiverem um cheiro forte.
- Posicione corretamente os alimentos de modo a que o ar possa circular livremente em redor.

#### Conselhos para a refrigeração

- Carne (todos os tipos): introduza em sacos de polietileno e coloque na prateleira de vidro acima da gaveta de vegetais. Respeite sempre os tempos de conservação dos alimentos e as datas de validade sugeridas pelos fabricantes.
- Alimentos cozinhados, pratos frios, etc.:  
Devem estar cobertos e podem ser colocados em qualquer prateleira.
- Fruta e legumes:  
Devem ser conservados na gaveta especial fornecida.
- Manteiga e queijo:  
Devem ser embrulhados sob vácuo ou em película transparente.
- Garrafas de leite:  
Devem estar fechadas e devem ser guardadas nas prateleiras de porta.

## 8.2 Conselhos para a congelação

- Quando ligar pela primeira vez ou após um período sem utilização, antes de colocar alimentos no compartimento, deixe o aparelho em funcionamento durante, no mínimo, 2 horas nas definições mais elevadas.
- Prepare os alimentos em pequenas quantidades para permitir que sejam rápida e completamente congelados e para possibilitar, subsequentemente, a descongelação apenas da quantidade necessária.
- Embrulhe os alimentos em folha de alumínio ou embalagens de polietileno herméticas.
- Não permita que os alimentos frescos e descongelados entrem em contacto com os alimentos já congelados, para evitar o aumento de temperatura dos alimentos congelados.
- Os produtos congelados, se consumidos imediatamente após serem removidos do compartimento do congelador, podem causar queimaduras de gelo na pele.

- Recomenda-se que identifique e coloque a data em cada embalagem congelada de modo a ter noção do período de armazenamento.

### Conselhos para o armazenamento de alimentos congelados

- Certifique-se de que os alimentos congelados foram conservados corretamente por parte do revendedor.
- Assim que forem descongelados, os alimentos degradam-se rapidamente e não devem voltar a ser congelados. Não exceda o período de armazenamento indicado pelo fabricante de alimentos.

## 8.3 Desativação do aparelho

Se o frigorífico tiver de ser desligado durante um longo período, devem ser efetuados os seguintes passos para reduzir a formação de bolor.

1. Retire todos os alimentos.
2. Desligue a ficha da tomada.
3. Limpe e seque totalmente o interior do aparelho.
4. Certifique-se de que todas as portas ficam ligeiramente abertas para permitir a circulação de ar.

# 9. MANUTENÇÃO E LIMPEZA

Por motivos de higiene, o aparelho (incluindo os acessórios internos e externos) deve ser limpo regularmente pelo menos de dois em dois meses.



### **CUIDADO!**

Durante a limpeza, o aparelho não pode estar ligado à corrente. Perigo de choque elétrico! Antes da limpeza, desligue o aparelho e desligue a ficha da tomada elétrica.

## 9.1 Limpeza externa

Para preservar o bom aspeto do aparelho, deve limpá-lo regularmente.

- Limpe o painel digital e o painel do visor com um pano macio e limpo.

- Pulverize água no pano de limpeza em vez de pulverizá-la diretamente na superfície do aparelho. Isto ajuda a garantir uma distribuição uniforme da humidade sobre a superfície.
- Limpe as portas, as pegas e as superfícies do aparelho com um detergente suave e, em seguida, limpe-as com um pano macio.



### **CUIDADO!**

- Não utilize objetos afiados para não riscar a superfície.
- Não utilize diluentes, detergentes para lavagem de automóveis, Clorox, óleos essenciais, agentes de limpeza abrasivos ou solventes orgânicos, como benzeno, para limpar o aparelho. Podem danificar a superfície do aparelho e causar um incêndio.

## 9.2 Limpeza interna

- O interior do aparelho deve ser limpo regularmente. Será mais fácil limpar o aparelho quando não contiver muitos alimentos. Limpe o interior do congelador/frigorífico com uma solução diluída de bicarbonato de sódio e, em seguida, limpe-o com água tépida utilizando um pano ou esponja torcidos. Seque completamente o interior antes de voltar a colocar as prateleiras e os cestos. Seque bem todas as superfícies e peças amovíveis.
- Embora este aparelho descongele automaticamente, poderá formar-se uma camada de gelo nas paredes internas do compartimento do congelador se a porta do congelador for aberta frequentemente ou for mantida aberta por demasiado tempo. Se a camada de gelo for demasiado espessa, faça o seguinte quando o aparelho não contiver muitos alimentos:
  1. Remova os alimentos e os cestos de acessórios, desligue o aparelho da corrente e deixe as portas abertas. Ventile a divisão para acelerar o processo de descongelação.
  2. Quando a descongelação terminar, limpe o congelador conforme descrito acima.



### **CUIDADO!**

Não utilize objetos afiados para retirar o gelo do compartimento do congelador. Apenas deve voltar a ligar o aparelho à corrente e ativá-lo quando o interior estiver completamente seco.

## 9.3 Limpeza dos vedantes de porta

Mantenha os vedantes de porta limpos. Bebidas e alimentos pegajosos podem fazer com que os vedantes se apeguem ao frigorífico e quebrem quando abrir a porta. Lave os vedantes com detergente suave e água tépida. Enxague e seque cuidadosamente após a limpeza.



### **CUIDADO!**

Apenas deve voltar a ligar o aparelho à corrente quando os vedantes de porta estiverem completamente secos.



### **AVISO!**

A luz LED não deve ser substituída pelo utilizador! Se a luz LED estiver danificada, contacte a assistência ao cliente para obter ajuda.

# 10. RESOLUÇÃO DE PROBLEMAS

Se tiver algum problema com o seu aparelho ou se o aparelho não estiver a funcionar corretamente, pode fazer algumas verificações simples antes de ligar para a assistência. Antes de ligar para a assistência, faça as verificações simples indicadas nesta secção.



### **AVISO!**

Não tente reparar o aparelho. Se o problema persistir depois de fazer as verificações mencionadas abaixo, contacte um electricista qualificado, um técnico autorizado ou a loja onde adquiriu o produto.

Problema	Possível causa e solução
O aparelho não está a funcionar corretamente	Verifique se o cabo de alimentação está corretamente ligado à tomada.
	Verifique o fusível ou o circuito da fonte de alimentação e substitua-o, se necessário.
	É normal que o congelador não funcione durante o ciclo de descongelação automática ou durante um curto período de tempo após ligar o aparelho, para proteger o compressor.
Odores nos compartimentos	Poderá ser necessário limpar o interior do frigorífico.
	Alguns alimentos, recipientes ou tipos de acondicionamento podem causar odores.
Ruído do aparelho	Os sons indicados abaixo são normais: Ruídos de funcionamento do compressor. <ul style="list-style-type: none"> <li>• Ruído de circulação de ar proveniente do motor da ventoinha pequena no compartimento do congelador ou noutros compartimentos.</li> <li>• Ruído semelhante ao de água a ferver.</li> <li>• Som de estalido durante a descongelação automática.</li> <li>• Som de clique antes da ativação do compressor.</li> </ul>
	Outros sons invulgares devem-se aos motivos indicados abaixo e poderá ser necessário tomar alguma medida corretiva: O armário do frigorífico está desnivelado. A parte posterior do aparelho toca na parede. Garrafas ou recipientes caídos ou a rolar.
O motor funciona continuamente	É normal ouvir frequentemente o som do motor, sobretudo nas seguintes circunstâncias: <ul style="list-style-type: none"> <li>• A definição de temperatura é mais fria do que o necessário.</li> <li>• Foi introduzida uma grande quantidade de alimentos quentes no aparelho.</li> <li>• A temperatura no exterior do aparelho é demasiado elevada.</li> <li>• As portas são mantidas abertas durante um longo período.</li> <li>• Depois de instalar o aparelho ou depois de o aparelho ter estado desligado durante muito tempo.</li> </ul>
Formação de uma camada de gelo no compartimento	Verifique se as saídas de ar não estão obstruídas por alimentos e certifique-se de que os alimentos no aparelho estão posicionados de forma a permitir uma ventilação suficiente. Certifique-se de que a porta está totalmente fechada. Para remover o gelo, consulte a secção "Manutenção e limpeza".

Temperatura interna demasiado quente	Poderá ter deixado as portas abertas durante demasiado tempo ou com demasiada frequência; ou as portas estão abertas porque há algum obstáculo que as bloqueia; ou não existe espaço suficiente na parte superior e inferior e dos lados do aparelho.
Temperatura interna demasiado fria	Aumente a temperatura seguindo as indicações no capítulo "Controlos de visualização".
As portas não fecham facilmente	Verifique se a parte superior do frigorífico está inclinada para trás 10-15 mm para permitir que as portas fechem automaticamente ou se alguma coisa no interior do frigorífico impede o fecho das portas.
Gotas de água no chão	O tabuleiro de água (situado na parte inferior traseira do frigorífico) poderá não estar adequadamente nivelado; ou o bico de drenagem (situado por baixo da parte superior do compressor) poderá não estar corretamente posicionado para encaminhar a água para este tabuleiro; ou o bico de água está bloqueado. Poderá ser necessário afastar o frigorífico da parede para verificar o tabuleiro e o bico.
A luz não funciona	A luz LED pode estar danificada. Consulte o capítulo "Manutenção e limpeza" para substituir a luz LED. O sistema de controlo desativou as luzes porque a porta esteve aberta demasiado tempo. Feche e volte a abrir a porta para reativar as luzes.
As portas não abrem facilmente	Verifique o vedante da porta e, se necessário, limpe o vedante da junta de borracha em torno das extremidades da porta utilizando detergente de lavar loiça e água tépida. É possível que se acumule sujidade nestas zonas e que as portas apresentem resistência à abertura.

## 11. ELIMINAÇÃO DO APARELHO

O frigorífico é composto por materiais reutilizáveis. Deve ser eliminado em conformidade com os regulamentos locais relativos à eliminação de resíduos. O aparelho contém uma pequena quantidade de refrigerante (R600a) no circuito de refrigeração. Para sua segurança, consulte a secção sobre refrigerante e

risco de incêndio neste manual de instruções antes de eliminar o aparelho. Corte o cabo de alimentação para tornar o frigorífico inutilizável e remova o vedante e o dispositivo de fecho da porta. Tenha cuidado para não danificar o sistema de refrigeração, não fure o depósito de refrigerante, não dobre os tubos nem risque o revestimento da superfície.



### Eliminação correta deste produto



Este símbolo no produto ou na embalagem indica que o produto não pode ser tratado como lixo doméstico. Ao invés, deve ser levado para o ponto de recolha de resíduos adequado para reciclagem de equipamento elétrico e eletrónico. Ao garantir que este produto é corretamente eliminado, poderá ajudar a evitar consequências potencialmente negativas para o ambiente e para a saúde pública que, de outro modo, poderiam ser causadas por uma eliminação inadequada deste produto. Para mais informações sobre a reciclagem deste produto, contacte os serviços municipais locais, o serviço de recolha de lixo ou a loja onde adquiriu o produto.

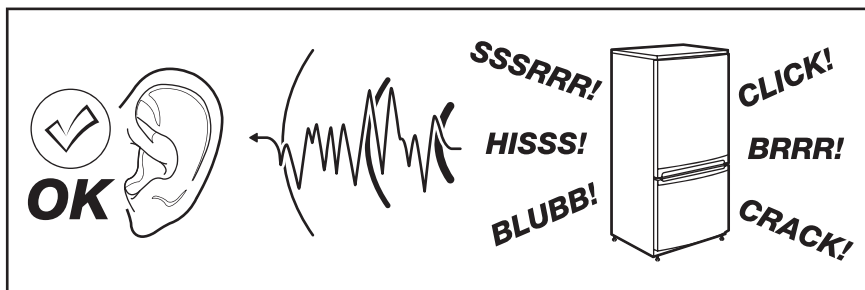
## 12. DADOS TÉCNICOS

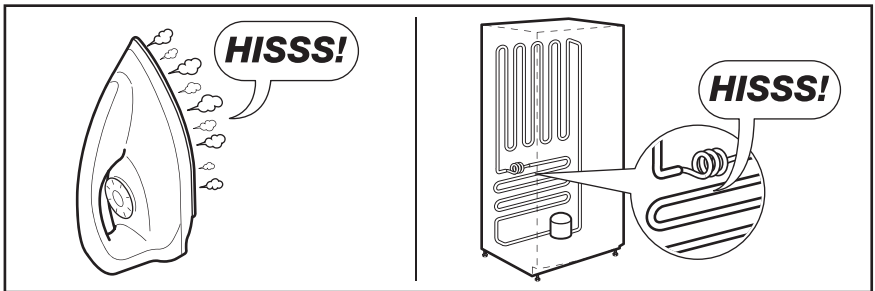
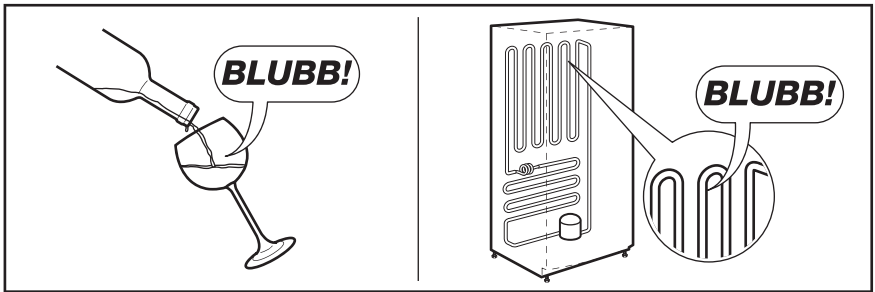
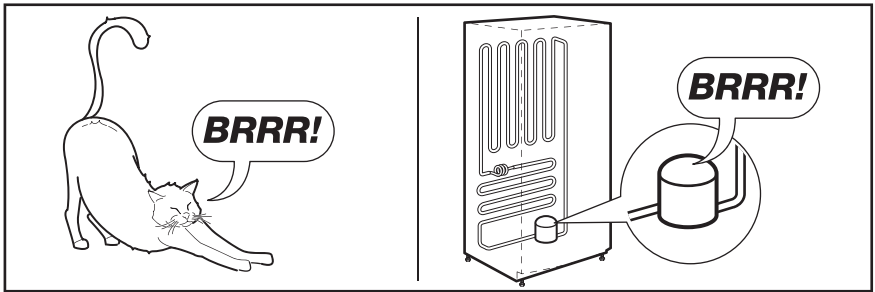
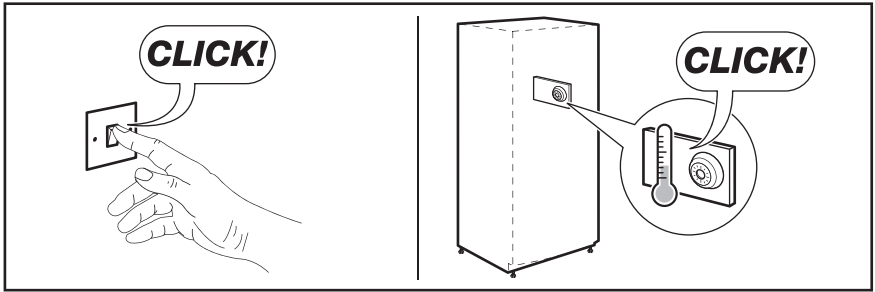
Dimensão	
Altura	1766 mm
Largura	912 mm
Profundidade	765 mm
Tempo de autonomia	12 h
Voltagem	220-240 V
Frequência	50 Hz

As informações técnicas encontram-se na placa de características existente no lado esquerdo do interior do aparelho e na etiqueta de energia.

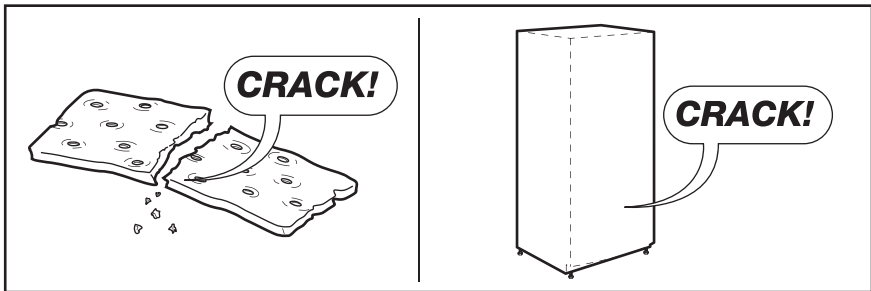
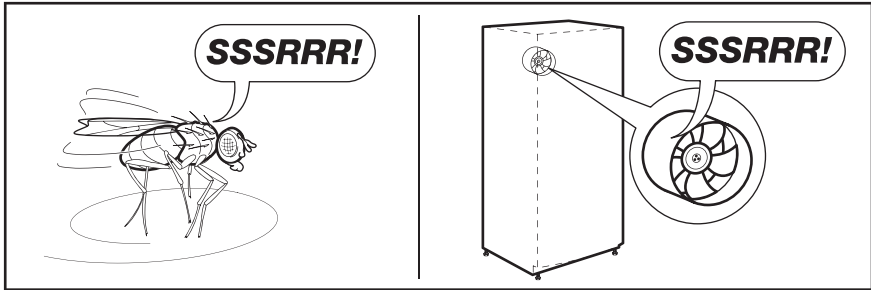
## 13. RUÍDOS

Existem alguns ruídos durante o funcionamento normal (compressor, circulação do refrigerante).









## CUPRINS

1. INFORMAȚII PRIVIND SIGURANȚA.....	179
2. INSTRUCȚIUNI PRIVIND SIGURANȚA .....	180
3. PROTEJAREA MEDIULUI ÎNCONJURĂTOR.....	182
4. DESCRIEREA APARATULUI .....	182
5. INSTALAREA NOULUI APARAT .....	184
6. COMENZILE DE PE AFIȘAJ.....	186
7. UTILIZAREA APARATULUI.....	188
8. SFATURI ȘI RECOMANDĂRI.....	192
9. ÎNGRIJIREA ȘI CURĂȚAREA.....	193
10. DEPARARE.....	194
11. CASAREA APARATULUI .....	196
12. DATE TEHNICE .....	197
13. ZGOMOTE .....	197

## PENTRU REZULTATE PERFECTE

Vă mulțumim că ați ales acest produs Electrolux. Am creat acest produs pentru a vă oferi performanțe impecabile timp de mulți ani, cu tehnologii inovatoare care fac viața mai simplă – funcții pe care s-ar putea să nu le găsiți la aparatele obișnuite. Vă rugăm să vă rezervați câteva minute pentru a citi acest manual și a obține astfel cele mai bune performanțe de la aparat.

### Vizitați site-ul web pentru:



Sfaturi privind utilizarea, broșuri, informații care vă ajută la rezolvarea unor probleme apărute și informații despre service:  
[www.electrolux.ro](http://www.electrolux.ro)



Înregistrați-vă produsul pentru a beneficia de servicii mai bune:  
<http://www.electrolux.ro/Support/Register-products/>



Cumpărați accesorii, consumabile și piese de schimb originale pentru aparatul dvs.:  
[www.electrolux.ro/shop](http://www.electrolux.ro/shop)

## SERVICIUL DE RELAȚII CU CLIEȚII ȘI SERVICE

Utilizați întotdeauna piese de schimb originale.

Atunci când contactați Centrul de service autorizat, asigurați-vă că aveți disponibile următoarele informații: modelul, numărul PNC, numărul de serie.

Informațiile pot fi găsite pe plăcuța cu datele tehnice.



Avertisment/Atenție-Informații privind siguranța.



Informații generale și recomandări



Informații privind mediul înconjurător.

Ne rezervăm dreptul asupra efectuării de modificări fără preaviz.



# 1. INFORMAȚII PRIVIND SIGURANȚA

Înainte de instalarea și de utilizarea aparatului, citiți cu atenție instrucțiunile furnizate. Producătorul nu este responsabil dacă instalarea și utilizarea incorectă a aparatului provoacă răni și daune. Păstrați întotdeauna instrucțiunile împreună cu aparatul pentru consultare ulterioară.

## 1.1 Siguranța copiilor și a persoanelor vulnerabile

- Acest aparat poate fi utilizat de copiii cu vârsta mai mare de 8 ani, de persoanele cu capacități fizice, senzoriale sau mentale reduse sau de persoanele fără cunoștințe sau experiență doar sub supraveghere sau după o scurtă instruire care să le ofere informațiile necesare pentru utilizarea sigură a aparatului și care să le permită să înțeleagă riscurile la care se expun.
- Nu lăsați copiii să se joace cu aparatul.
- Curățarea și întreținerea efectuate de utilizator nu trebuie realizate de către copiii nesupravegheați.
- Nu lăsați ambalajul produsului la îndemâna copiilor.

## 1.2 Aspecte generale privind siguranța

- Acest aparat este conceput pentru o utilizare casnică și la aplicații similare, cum ar fi:
  - În casele de la ferme, bucătăriile pentru personal din magazine, birouri și alte medii de lucru
  - De către clienții din hoteluri, moteluri, unități de cazare care oferă și mic dejun și alte medii de tip rezidențial
- Mențineți libere fantele de ventilație de pe carcasa aparatului sau din structura în care este încorporat.
- Nu utilizați dispozitive mecanice sau alte instrumente diferite de cele recomandate de producător pentru a accelera procesul de dezghețare.
- Nu deteriorați circuitul frigorific.
- Nu utilizați aparate electrice în interiorul compartimentelor de conservare a alimentelor ale aparatului, decât dacă sunt de tipul recomandat de producător.
- Nu folosiți apă pulverizată și abur pentru curățarea aparatului.
- Curățați aparatul cu o lavetă moale, umedă. Utilizați numai detergenți neutri. Nu folosiți produse abrazive, bureți abrazivi, solvenți sau obiecte metalice.

- Nu depozitați substanțe explozive, precum recipiente cu aerosol cu agent propulsor inflamabil, în acest aparat.
- Dacă este deteriorat cablul de alimentare, acesta trebuie înlocuit de către producător, de către Serviciul său de Asistență sau de persoane calificate în mod corespunzător pentru a se evita pericolele.
- Dacă aparatul este echipat cu un compartiment de producere a gheții sau cu un dozator de apă, acestea trebuie umplute numai cu apă potabilă.
- Dacă aparatul necesită un racord de apă, conectați-l numai la o sursă de apă potabilă.
- Presiunea de alimentare cu apă (minimă și maximă) trebuie să fie între 1 bar (0,1 MPa) și 10 bar (1 MPa)

## 2. INSTRUCȚIUNI PRIVIND SIGURANȚA

### 2.1 Instalarea



#### AVERTISMENT!

Doar o persoană calificată trebuie să instaleze acest aparat.

- Îndepărtați toate ambalajele.
- Dacă aparatul este deteriorat, nu îl instalați sau utilizați.
- Respectați instrucțiunile de instalare furnizate împreună cu aparatul.
- Procedați cu atenție sporită atunci când mutați aparatul deoarece acesta este greu. Purați întotdeauna mănuși de protecție.
- Asigurați-vă că aerul poate circula în jurul aparatului.
- Așteptați cel puțin 4 ore înainte de a conecta aparatul la sursa de tensiune. Aceasta pentru a permite uleiului să curgă înapoi în compresor.
- Nu instalați aparatul aproape de radiatoare sau aragaze, cuptor sau plite.
- Partea din spate a aparatului trebuie orientată spre perete.
- Nu instalați aparatul direct în lumina razelor de soare.
- Nu instalați acest aparat în zone cu umiditate prea ridicată sau cu temperaturi prea scăzute, precum anexele construcțiilor, garaje sau crame.
- Când mutați aparatul, ridicați-l din partea frontală, pentru a evita zgărirea podelei.

### 2.2 Conexiunea electrică



#### AVERTISMENT!

Pericol de incendiu și electrocutare.

- Aparatul trebuie legat la o priză cu împământare.
- Verificați dacă informațiile de natură electrică, specificate pe plăcuța cu datele tehnice, corespund cu cele ale sursei de tensiune. În caz contrar, contactați un electrician.
- Utilizați întotdeauna o priză cu protecție (împământare) contra electrocutării, montată corect.
- Nu folosiți prize multiple și cabluri prelungitoare.
- Procedați cu atenție pentru a nu deteriora componentele electrice (de exemplu, ștecherul, cablul de alimentare electrică și compresorul). Contactați centrul de service sau un electrician pentru schimbarea componentelor electrice.
- Cablul de alimentare electrică trebuie să rămână sub nivelul ștecherului. Introduceți ștecherul în priză numai după încheierea procedurii de instalare. Asigurați accesul la priză după instalare. Nu trageți de cablul de alimentare pentru a scoate din priză aparatul. Trageți întotdeauna de ștecher.

## 2.3 Utilizarea



### AVERTISMENT!

Pericol de vătămare, arsuri, electrocutare sau incendiu.

- Nu modificați specificațiile acestui aparat.
- Nu introduceți aparate electrice (de exemplu, aparate de făcut înghețată) în interiorul aparatului, decât dacă acest lucru este recomandat de către producător.
- Aveți grijă să nu deteriorați circuitul frigorific. Acesta conține izobutan (R600a), un gaz natural cu un nivel ridicat de compatibilitate cu mediul. Acest gaz este inflamabil.
- Dacă circuitul frigorific este deteriorat, asigurați-vă că nu există flăcări și surse de aprindere în cameră. Aerisiți camera.
- Nu lăsați obiecte fierbinți să atingă piesele din plastic ale aparatului.
- Nu introduceți băuturi răcoritoare în compartimentul congelatorului. Această va crea presiune în recipientul cu băutură.
- Nu depozitați gaze și lichide inflamabile în aparat.
- Produsele inflamabile sau obiectele umezite cu produse inflamabile nu trebuie introduse în aparat, nici puse adiacent sau deasupra acestuia.
- Nu atingeți compresorul sau condensatorul. Sunt fierbinți.
- Nu scoateți sau atingeți obiecte din congelator cu mâinile ude sau umede.
- Nu recongeleți alimente care au fost dezghețate.
- Respectați instrucțiunile de depozitare de pe ambalajul preparatelor congelate.

## 2.4 Becul interior

- Tipul de bec utilizat pentru acest aparat nu este adecvat pentru iluminarea locuinței.

## 2.5 Îngrijirea și curățarea



### AVERTISMENT!

Pericol de vătămare personală sau deteriorare a aparatului.

- Înainte de a efectua operațiile de întreținere, dezactivați aparatul și scoateți ștecherul din priză.
- Acest aparat conține hidrocarburi în unitatea de răcire. Doar o persoană calificată trebuie să efectueze întreținerea și încărcarea unității.
- Verificați regulat evacuarea aparatului și, dacă este necesar, curățați-o. Dacă evacuarea este blocată, apa dezghețată se va acumula în partea de jos a aparatului.

## 2.6 Gestionarea deșeurilor după încheierea ciclului de viață al aparatului



### AVERTISMENT!

Pericol de vătămare sau sufocare.

- Deconectați aparatul de la sursa de alimentare electrică.
- Tăiați cablul electric și aruncați-l.
- Demontați ușa pentru a preveni blocarea copiilor sau a animalelor de companie în interiorul aparatului.
- Circuitul frigorific și materialele de izolare a acestui aparat nu afectează stratul de ozon.
- Spuma izolatoare conține gaze inflamabile. Contactați autoritatea locală pentru informații privind aruncarea adecvată a acestui aparat.
- Nu deteriorați partea unității de răcire apropiată de schimbătorul de căldură.

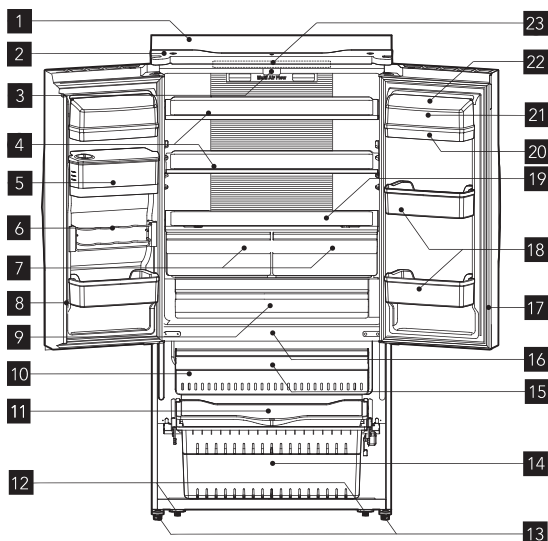
### 3. PROTEJAREA MEDIULUI ÎNCONJURĂTOR

Reciclați materialele marcate cu simbolul ♻️. Pentru a recicla ambalajele, acestea trebuie puse în containerele corespunzătoare. Ajutați la protejerea mediului și a sănătății umane și la reciclarea deșeurilor din aparatele

electrice și electrocasnice. Nu aruncați aparatele marcate cu simbolul ⚡ împreună cu deșeurile menajere. Returnați produsul la centrul local de reciclare sau contactați administrația orașului dvs.

### 4. DESCRIEREA APARATULUI

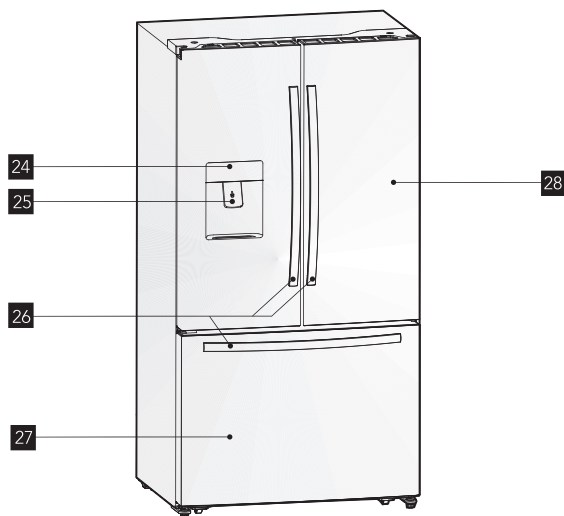
#### 4.1 Vedere 1 a aparatului



- |   |  |
|---|--|
| <b>1</b> Carcasă                                  | <b>12</b> Role                                   |
| <b>2</b> Placa de acoperire                       | <b>13</b> Picioare reglabile                     |
| <b>3</b> Ghidaj opritor pentru pragul vertical    | <b>14</b> Sertarul inferior al congelatorului    |
| <b>4</b> Raft de sticlă                           | <b>15</b> Sertarul superior al congelatorului    |
| <b>5</b> Cutie de păstrare a apei                 | <b>16</b> Lumina LED din congelator (interioară) |
| <b>6</b> Suport flexibil pentru doze              | <b>17</b> Garnitura ușii frigiderului            |
| <b>7</b> Ladă frigorifică pentru fructe și legume | <b>18</b> Raftul inferior                        |
| <b>8</b> Prag vertical                            | <b>19</b> Capacul lăzii pentru fructe și legume  |
| <b>9</b> Sertar pentru alimente proaspete         | <b>20</b> Raftul superior                        |
| <b>10</b> Tavă de gheață cu răscuire (interioară) | <b>21</b> Suport pentru ouă (interior)           |
| <b>11</b> Tavă pentru servire                     | <b>22</b> Capac de suport                        |
|   | <b>23</b> Lumina LED din frigider (interioară)   |



## 4.2 Vedere 2 a aparatului



**24** Panou de afișaj

**25** Dozator de apă rece

**26** Mânere

**27** Ușa congelatorului

**28** Ușa frigiderului

**Notă:** datorită îmbunătățirii constante a produselor, frigiderul dvs. poate fi puțin diferit față de ilustrația de mai sus, dar funcțiile și metodele de utilizare rămân aceleași.

**Notă:** pentru a obține cea mai mare eficiență energetică de la acest produs, poziționați toate rafturile, sertarele și coșurile în pozițiile inițiale, ca în ilustrația de mai sus.



Acest aparat este vândut în Franța. În conformitate cu reglementările în vigoare din această țară, acesta trebuie să fie prevăzut cu un dispozitiv special (vedeți figura), plasat în compartimentul inferior al frigiderului, pentru a indica zona cea mai rece.

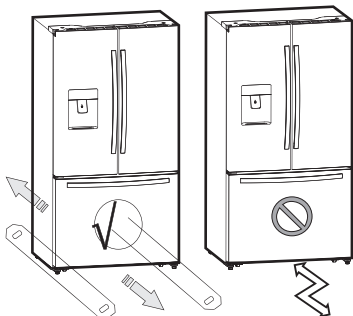
## 5. INSTALAREA NOULUI APARAT

Această secțiune explică instalarea noului aparat înainte de a-l utiliza pentru prima dată. Vă recomandăm să citiți următoarele sfaturi.



### AVERTISMENT!

Pentru o instalare corectă, acest frigider trebuie poziționat pe o suprafață orizontală din material solid, la aceeași înălțime cu restul pardoselii. Această suprafață trebuie să fie suficient de rezistentă pentru a susține un frigider încărcat complet sau aproximativ 120 kg (266 lb.). Când îl mutați, aveți grijă să trageți sau să împingeți aparatul în linie dreaptă.

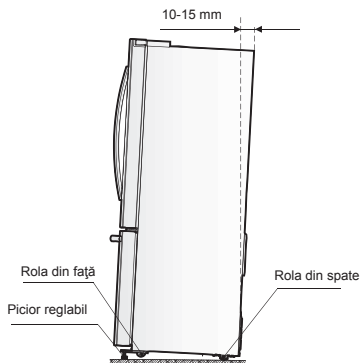


Clasă	Simbol	Interval de temperatură ambientă (°C)
Climat temperat extins	SN	+10 până la +32
Climat temperat	N	+16 până la +32
Climat subtropical	ST	+16 până la +38
Climat tropical	T	+16 până la +43

### 5.1 Aducerea aparatului la același nivel

Pentru o echilibrare corespunzătoare și pentru a evita vibrațiile, acest aparat este prevăzut cu picioare reglabile în partea din față. Vă rugăm să reglați nivelul urmând instrucțiunile de mai jos:

1. Împingeți frigiderul la locul său.
2. Rotiți picioarele reglabile (cu degetele sau cu o cheie adecvată) până când ating podeaua.
3. Înclinați înapoi partea de sus cu aproximativ 10-15 mm, rotind picioarele cu încă 1~2 rotații. Aceasta va permite închiderea automată a ușilor și etanșarea lor corespunzătoare.
4. Atunci când doriți să mutați aparatul, nu uitați să rotiți înapoi picioarele, astfel încât aparatul se poate fi împins liber. Reinstalați aparatul atunci când îi schimbați poziția.



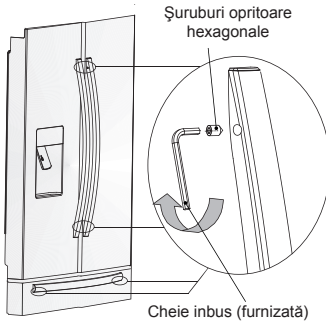
### AVERTISMENT!

Rolele nu sunt pivotante și trebuie utilizate numai pentru deplasare înainte sau înapoi. Deplasarea frigiderului în lateral poate deteriora podeaua și rolele.



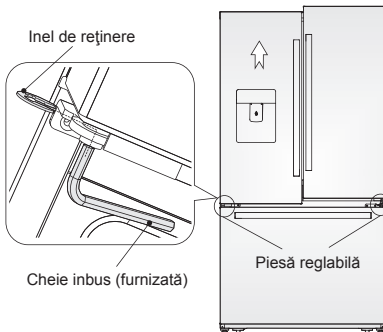
## 5.2 Reglarea mânerului ușii

Înainte de a utiliza aparatul, verificați mânerul frigiderului. Dacă mânerul este slăbit, strângeți-l în sens orar cu ajutorul unei chei inbus până când sunt bine fixate la locul lor. Fiecare mâner este prevăzut cu 2 șuruburi.



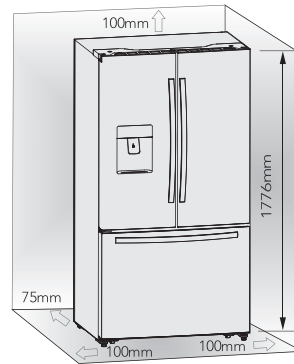
## 5.3 Reglarea ușilor

- Ambele ușii sunt echipate cu axe reglabile, amplasate în balamalele inferioare.
- Înainte de reglarea ușilor, asigurați-vă că frigiderul este adus la același nivel. Consultați secțiunea anterioară referitoare la „Aducerea la același nivel a aparatului”. Dacă părțile superioare ale ușilor nu sunt la același nivel, introduceți cheia inbus în axul balamei și rotiți-o în sens orar pentru a ridica ușa sau în sens antiorar pentru a o coborî, apoi introduceți un inel de reținere în spațiul respectiv.

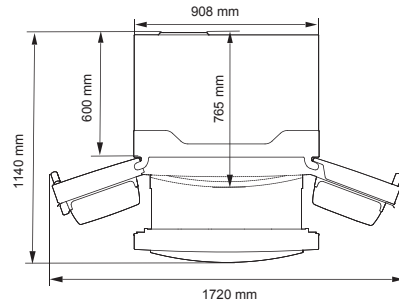


## 5.4 Ventilarea aparatului

Pentru a îmbunătăți eficiența sistemului de răcire și pentru a economisi energie, trebuie să mențineți o ventilație adecvată în jurul aparatului, pentru disiparea căldurii. Din acest motiv, trebuie să asigurați un spațiu suficient în jurul frigiderului, iar zona nu trebuie să prezinte obstrucții care să afecteze circulația aerului.



**Sugestie:** pentru a asigura o bună funcționare a aparatului, păstrați distanțele indicate în graficul de mai sus.

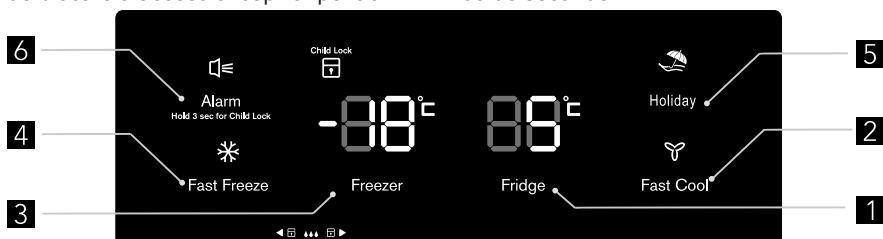


## 6. COMENZILE DE PE AFIȘAJ

Toate funcțiile și comenzile unității pot fi accesate de pe un panou de control, amplasat convenabil pe ușa frigiderului. Tastatura cu butoane tactile și afișajul digital permit configurarea ușoară a funcțiilor și a setărilor, într-un mod simplu și intuitiv.

**Important!** Butoanele tactile trebuie apăsată scurt pentru a funcționa. Acestea funcționează la ridicarea degetului, nu în timp ce se apasă butonul. Nu este nevoie să aplicați presiune pe tastatură. Funcția de blocare a accesului copiilor pentru

butonul „Alarmă” necesită o atingere mai lungă, de cel puțin 3 sec. Pentru instrucțiuni detaliate, consultați secțiunile respective din acest manual. Panoul de control include două zone ce indică temperatura, cinci pictograme ce reprezintă diferitele moduri și șase butoane tactile. Prima dată când porniți aparatul, se aprinde lumina de fundal a pictogramelor de pe panoul de afișaj. Dacă nu a fost apăsat niciun buton și ușile rămân închise, lumina de fundal se va stinge după 60 de secunde.



### Controlarea temperaturii

Vă recomandăm ca atunci când porniți aparatul pentru prima dată, să setați temperatura din frigider la 5 °C, iar pe cea din congelator la -18 °C. Dacă doriți să modificați temperatura, urmați instrucțiunile de mai jos.

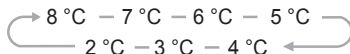


#### ATENȚIE!

Atunci când setați o temperatură, veți seta o temperatură medie pentru întregul compartiment al frigiderului. Temperaturile din interiorul fiecărui compartiment pot varia față de valorile afișate pe panou, în funcție de cantitatea de alimente și de poziția în care sunt depozitate. Temperatura ambiantă poate afecta și temperatura efectivă din interiorul aparatului.

### 6.1 Frigider

Apăsați în mod repetat butonul „Frigider” pentru a seta temperatura dorită în frigider între 8 °C și 2 °C; temperatura va scădea cu 1 °C la fiecare apăsare, iar indicatorul de temperatură a frigiderului va afișa valoarea corespunzătoare conform următoarei secvențe.



### 6.2 Răcire rapidă

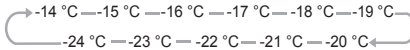


Dacă trebuie să introduceți o cantitate mare de alimente calde, de exemplu, după ce ați făcut cumpărături, vă recomandăm să activați funcția Răcire rapidă pentru a răci produsele mai rapid și pentru a evita încălzirea alimentelor care se află deja în frigider.

- Pentru a activa această funcție, apăsați butonul „Răcire rapidă”. Se va aprinde pictograma „Super răcire”, iar indicatorul de temperatură a frigiderului va afișa 2 °C.
- Modul „Super răcire” se dezactivează automat după aproximativ 6 ore.
- Apăsați butonul „Răcire rapidă” sau „Frigider” pentru a anula modul „Super răcire” și a reveni la setările anterioare de temperatură.

### 6.3 Congelare

Apăsăți butonul „Congelator” pentru a seta temperatura dorită în congelator între -14 °C și -24 °C; indicatorul de temperatură a congelatorului va afișa valoarea corespunzătoare conform următoareii secvențe.



### 6.4 Congelare rapidă



Super congelarea poate coborî rapid temperatura de congelare și poate congela alimentele mult mai rapid decât în mod obișnuit.

Apăsăți butonul „Congelare rapidă” pentru a activa funcția „Super congelare”. Pictograma „Super congelare” va fi iluminată, iar setarea de temperatură a congelatorului va afișa -24 °C.

- La prima utilizare sau după o perioadă de inactivitate, permiteți 6 ore de funcționare normală înainte de a utiliza modul „Super congelare”. Acest lucru este deosebit de important dacă în congelator se află o cantitate mare de alimente.
- „Super congelarea” se oprește automat după 26 de ore de utilizare, iar temperatura în congelator scade sub -20 °C.
- Apăsăți butonul „Congelare rapidă” sau „Congelator” pentru a anula modul „Super congelare” și a reveni la setările anterioare de temperatură.  
**Notă:** atunci când selectați funcția „Super congelare”, asigurați-vă că în compartimentul congelatorului nu se află băuturi îmbuteliate sau la doză (în special băuturi carbogazoase). Sticlele și dozele pot exploda.

### 6.5 Holiday



Această funcție este concepută pentru a minimiza consumul de energie și facturile la electricitate atunci când frigiderul nu este utilizat

o perioadă mai lungă de timp. Puteți activa această funcție apăsând scurt butonul „Holiday” până când se aprinde pictograma Vacanță.

**Important!** Nu depozitați alimente în compartimentul frigiderului în acest timp.

- Când este activată funcția de vacanță, temperatura în frigider este comutată automat la 15 °C pentru a minimiza consumul de energie. Setarea de temperatură a frigiderului afișează „-”, iar compartimentul congelatorului rămâne pornit.
- Apăsăți butonul „Vacanță” pentru a anula modul Vacanță și a reveni la setările de temperatură anterioare.

### 6.6 Alarmă



În caz de alarmă, pictograma „Alarmă” se va aprinde și va fi emis un semnal sonor.

Apăsăți butonul „Alarmă” pentru a opri alarma și semnalul sonor; pictograma „Alarmă” se va stinge.



#### ATENȚIE!

Când frigiderul este pornit după o perioadă de inactivitate, este posibil să se activeze alarma. În acest caz, apăsați butonul „Alarmă” pentru a o anula.

### Alarma pentru ușă

Lumina de alarmă aprinsă și semnalul sonor indică o situație anormală, cum ar fi o ușă lăsată deschisă din greșeală sau întreruperea alimentării cu energie.

- Dacă lăsați ușă frigiderului sau a congelatorului deschisă mai mult de 2 minute, se va activa o alarmă pentru ușă și un semnal sonor. Avertizorul sonor va emite 3 sunete scurte pe minut, timp de 10 minute. Închiderea ușii anulează alarma pentru ușă și semnalul sonor.
- Pentru a economisi energie, evitați să țineți ușile deschise perioade îndelungate atunci când utilizați frigiderul. Alarma pentru ușă poate fi eliminată prin închiderea ușilor.

## Alarma pentru temperatură

Aceasta este o funcție importantă care avertizează utilizatorii asupra posibilității de deteriorare a alimentelor depozitate. Dacă are loc o întrerupere a alimentării cu energie, cum ar fi o pană de curent în zona în care locuiți când nu sunteți acasă, alarma pentru temperatură va memora temperatura din congelator la restabilirea alimentării; aceasta va fi temperatura maximă atinsă de alimentele congelate.

O stare de alarmă de temperatură va fi indicată de lumina de alarmă și de semnalul sonor atunci când valoarea citită a temperaturii este mai mare de -9 °C; în această situație

- a - Pictograma de alarmă se aprinde;
- b - Indicatorul de temperatură a congelatorului afișează simbolul „H”;

c - Avertizorul sonor emite 10 semnale de avertizare la declanșarea și la oprirea automată a alarmei.

## Blocarea accesului copiilor



Child Lock

Mențineți apăsat butonul „Alarmă” timp de 3 secunde pentru a activa funcția de blocare a accesului copiilor.

Acest lucru va dezactiva afișajul, pentru a preveni modificările accidentale ale setărilor. În acest timp, pictograma „Blocarea accesului copiilor” va fi aprinsă.

- Pentru a dezactiva funcția de blocare a accesului copiilor, apăsați și țineți apăsat butonul „Alarmă” timp de 3 secunde. Pictograma „Blocarea accesului copiilor” se va stinge.

# 7. UTILIZAREA APARATULUI

## 7.1 Dozatorul de apă rece

Dozatorul de apă rece, situat pe ușa din partea stângă a frigiderului, este utilizat pentru păstrarea apei potabile. Această caracteristică oferă apă rece, fără a fi necesară deschiderea ușii.

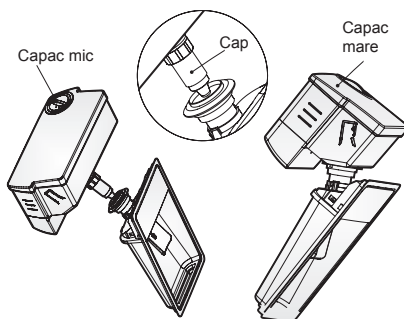
- Curățarea  
Curățați dozatorul de apă înainte de prima sa utilizare.

pasul 1: scoateți dozatorul de apă  
pasul 2: spălați-l cu apă curată  
pasul 3: uscați-l

- Asamblarea

Vă rugăm să consultați următoarele instrucțiuni pentru reasamblarea dozatorului.

1. Țineți strâns recipientul de apă de ambele părți, apoi ridicați-l și scoateți-l de pe ușă.
2. Deșurubați capul în sens antiorar.
3. Introduceți-le înapoi pe ușă și împingeți recipientul până când auziți un clic.



### AVERTISMENT!

Când introduceți recipientul pentru apă, asigurați-vă mai întâi de poziționarea corectă a capului în orificiu.

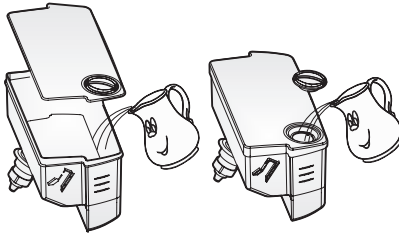
### Umplerea cu apă

Înainte de a umple recipientul cu apă potabilă, asigurați-vă că acesta este stabil și că se află în poziția corectă. Pentru a preveni revărsarea apei, umpleți recipientul sub marcajul pentru nivelul maxim, aflat la aproximativ 4,0 l. Există două moduri de umplere a recipientului pentru apă:

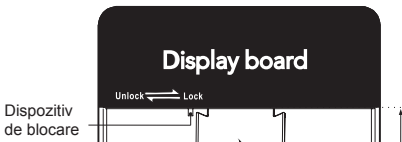
1. Prin demontarea capacului de mici dimensiuni și umplerea cu apă de la orificiul de alimentare al capacului de mari dimensiuni.
2. Prin demontarea capacului de mari dimensiuni al rezervorului și umplerea directă cu apă.

**ATENȚIE!**

Nu turnați alte lichide în recipientul pentru apă.



- **Blocarea**  
Înainte de a doza apa, asigurați-vă că dozatorul este în poziția „deblocat”. Dispozitivul de blocare se află sub placa de afișaj, ca în imagine:

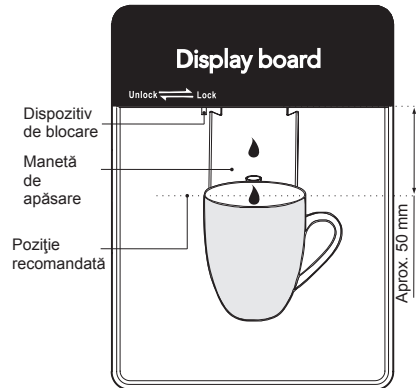
**AVERTISMENT!**

Funcția de blocare are rol de blocare a dispozitivului. Nu apăsați cu forță pe maneta dozatorului atunci când dozatorul este în poziția „blocat”, deoarece acesta se poate deteriora sau chiar rupe.

- Utilizarea dozatorului de apă  
Trebuie să folosiți o cană de dimensiuni adecvate pentru a o umple sub dozatorul de apă.

**AVERTISMENT!**

Nu trageți maneta dozatorului fără a avea o cană dedesubt; acest lucru poate provoca scurgerea apei din dozator. Mențineți dispozitivul de alimentare cu apă instalat atunci când dozatorul de apă este scos din uz, pentru a preveni ieșirea aerului rece.



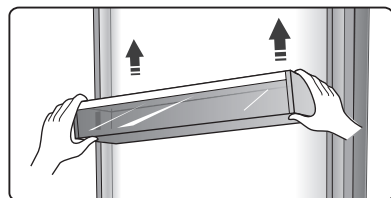
**Notă:** în caz de utilizare frecventă a dozatorului de apă, în tavă se pot vărsa picături, care pot începe să curgă. Uscuți tava cu un prosop conform necesităților.

## 7.2 Raftul de pe ușă

Compartimentul frigiderului este prevăzut cu rafturi pe ușă, adecvate pentru depozitarea de băuturi la doză și îmbuteliate și de alimente ambalate. Nu puneți o cantitate mare de alimente și obiecte grele în rafturile de pe ușă.

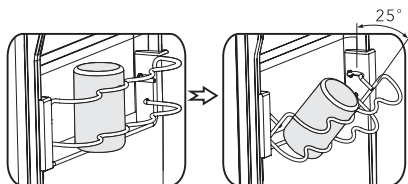
- Raftul din mijloc este proiectat pentru a se adapta la diferite înălțimi, în funcție de cerințele dvs. Goliți raftul înainte de a-l ridica pentru a-l scoate. Apoi, re poziționați-l la înălțimea dorită.

**Notă:** există un suport pentru ouă, care trebuie amplasat pe raftul superior.



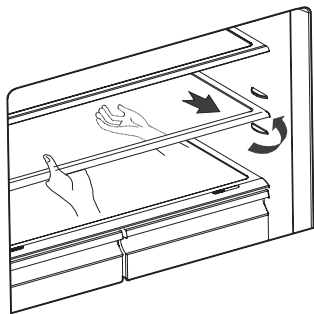
### 7.3 Suportul extensibil pentru doze

- Acest suport stochează până la 4 doze de dimensiuni standard, dar nu este potrivit pentru cutii cu diametrul mai mic de 50 mm. De asemenea, suportul se poate roti cu 25° pe raft pentru a facilita depozitarea sau scoaterea băuturilor.

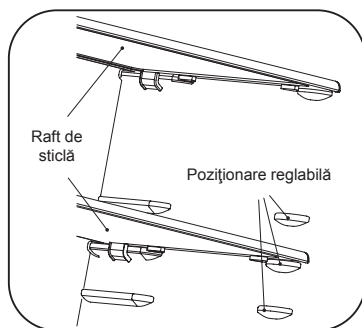


### 7.4 Rafturile de sticlă

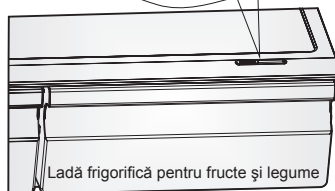
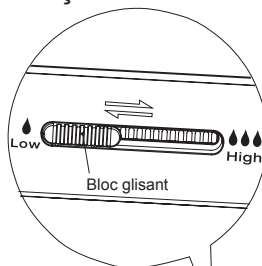
Compartimentul frigiderului este prevăzut cu două rafturi de sticlă. În timp ce raftul superior este proiectat să fie fix, raftul inferior este reglabil. Există trei poziții pentru mutarea raftului inferior. Reglați înălțimea raftului în funcție de necesități:



- Când demontați rafturile, trageți-le ușor spre dvs. până când ies din ghidaje.
- La repunerea rafturilor în poziție, asigurați-vă că în spatele lor nu există niciun obstacol și împingeți-le ușor în poziție.



### 7.5 Lada frigorifică și controlul umidității



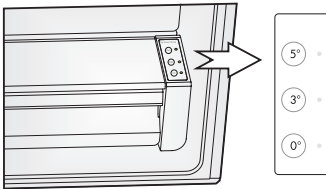
Lada frigorifică, montată pe glisieră telescopică extensibilă, este destinată păstrării legumelor și a fructelor. Puteți regla umiditatea din interior utilizând blocul glisant.

- Controlul umidității reglează fluxul de aer din lada frigorifică; un debit de aer mai ridicat reduce umiditatea. Glisați comanda pentru umiditate spre dreapta pentru a mări umiditatea.
- Pentru legume se recomandă setări de umiditate ridicată, iar pentru conservarea fructelor este potrivită o umiditate redusă.

- Urmați aceste instrucțiuni simple pentru a scoate compartimentul lăzii frigorifice sau sertarul congelatorului în vederea curățării. Goliți compartimentul lăzii frigorifice; trageți-l în afară în poziție complet deschisă. Ridicați lada frigorifică din glisierile laterale. Împingeți complet glisierele în interior pentru a evita deteriorările la închiderea ușii.

## 7.6 FRESH ZONE. Controlul precis al temperaturii (opțional)

Alimentele pot fi menținute proaspete mai mult timp dacă sunt depozitate la temperatura optimă, dar diferitele tipuri de alimente necesită temperaturi de păstrare diferite. Pe partea dreaptă a sertarului de răcire puteți găsi un afișaj. Cu ajutorul butoanelor „FRESH ZONE”, temperatura din compartiment poate fi setată la 0 °C, 3 °C și 5 °C, pentru a fi potrivită pentru carne, fructe și legume sau delicatose. Vă rugăm să consultați tabelul de mai jos pentru setările recomandate în funcție de necesitățile dvs. de păstrare.



Delicatese [5 °C]	Leg. [3 °C]	0 °C [0 °C]
Brânză	Castraveți	Fripturi
Șuncă	Salată verde	Pește
Salam	Portocale	Mezeluri feliate
Măsline	Porumb	Pui

## 7.7 Utilizarea compartimentului frigiderului

Compartimentului frigiderului este potrivit pentru păstrarea legumelor și a fructelor. Se recomandă ambalarea separată a alimentelor diferite pentru a evita uscarea sau pătrunderea aromelor în alte alimente.

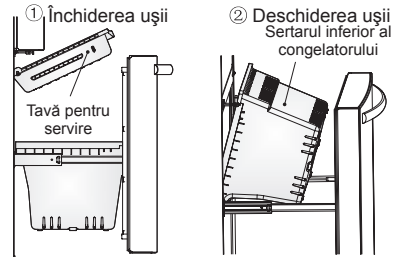


### ATENȚIE!

Nu închideți niciodată ușile în timp ce rafturile, lada frigorifică și/sau glisierele telescopice sunt extinse. Acest lucru poate deteriora aparatul.

## 7.8 Utilizarea sertarului congelatorului

Sertarul congelatorului este potrivit pentru păstrarea alimentelor care trebuie congelate, precum carnea, înghețata etc. Pentru a scoate sertarul congelatorului, trageți-l complet în afară, înclinați tava pentru servire și ridicați-o, apoi deschideți ușile frigiderului la unghiul maxim; acum, sertarul inferior al congelatorului va putea fi scos în modul indicat în următoarele imagini.

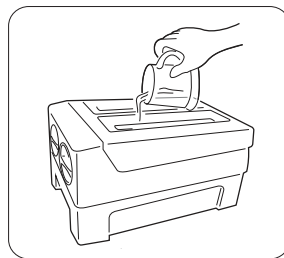


### ATENȚIE!

Nu lăsați copiii să intre în frigider, deoarece se pot răni sau pot deteriora frigiderul. Nu vă așezați pe ușa congelatorului. Ușa se poate rupe. Nu lăsați copiii să se urce în coșul congelatorului. Dacă scoateți elementul de separare pentru a curăța coșul, trebuie să îl reinstalați după curățare pentru a preveni blocarea copiilor în interiorul coșului.

## 7.9 Tava de gheață cu răsucire

- Tava de gheață cu răsucire este amplasată în sertarul superior al congelatorului pentru producerea și depozitarea de cuburi de gheață.
  1. Umpleți-o cu apă potabilă sub marcajul pentru nivelul maxim.
  2. Așezați tava de gheață umplută înapoi pe suport.
  3. Așteptați circa 3 ore, rotiți butoanele în sens orar, iar gheața va cădea în caseta pentru cuburi de gheață aflată dedesubt.



4. În caseta pot fi păstrate cuburi de gheață; dacă aveți nevoie de ele, puteți să trageți caseta pentru cuburi de gheață și să le scoateți.

**Notă:** dacă tava de gheață este utilizată pentru prima dată sau dacă nu a fost utilizată o perioadă îndelungată de timp, curățați-o înainte de utilizare.

## 8. SFATURI ȘI RECOMANDĂRI

### 8.1 Sfaturi pentru economisirea energiei

Vă recomandăm să urmați sfaturile de mai jos pentru a economisi energie.

- Încercați să evitați să mențineți ușile deschise perioade îndelungate, pentru a reduce consumul de energie.
- Asigurați-vă că aparatul se află la distanță de orice sursă de căldură (lumina directă a soarelui, cuptor electric sau aragaz etc.).
- Nu setați o temperatură mai mică decât este necesar.
- Nu depozitați în aparat alimente calde sau lichide care se evaporă.
- Amplasați aparatul într-o încăpere bine ventilată și fără umezeală. Consultați capitolul referitor la instalarea noului aparat.
- Vederea 1 din secțiunea „Descrierea aparatului” indică amplasarea corectă a sertarelor, a lăzii frigorifice și a rafturilor; nu modificați această dispunere, deoarece este concepută să fie cea mai eficientă configurație din punctul de vedere al consumului de energie.

### Recomandări pentru păstrarea alimentelor proaspete

- Nu așezați alimentele fierbinți direct în frigider sau în congelator, deoarece temperatura din interior va crește, iar compresorul va trebui să lucreze mai mult și va consuma mai multă energie.
- Acoperiți sau înveliți alimentele, mai ales dacă au o aromă puternică.
- Poziționați alimentele în mod adecvat, astfel încât aerul să poată circula liber în jurul lor.

### Recomandări pentru păstrarea la frigider

- Carne (toate tipurile): înveliți-o în polietilenă alimentară și așezați-o pe raftul de sticlă, deasupra sertarului pentru legume. Respectați întotdeauna duratele de păstrare a alimentelor și datele de consum sugerate de producători.
- Alimente găsite, gustări reci etc.: Trebuie acoperite și pot fi păstrate pe orice raft.
- Legume și fructe: Trebuie depozitate în sertarul special.
- Unt și brânză: Trebuie învelite în folie etanșă sau din plastic.
- Sticle de lapte: Trebuie acoperite cu un capac și păstrate în rafturile de pe ușă.





## 8.2 Recomandări privind congelarea

- La prima pornire sau după o perioadă de neutilizare, înainte de a introduce alimentele în compartiment, lăsați aparatul să funcționeze cel puțin 2 ore la setări mai ridicate.
- Pregătiți porții mici de alimente pentru a permite congelarea rapidă și completă și pentru a face posibilă dezghețarea ulterioară numai a cantității necesare.
- Înfășurați alimentele în folie din aluminiu sau de polietilenă etanșă.
- Nu permiteți ca alimentele proaspete, necongelate, să intre în contact cu cele deja congelate, pentru a evita astfel creșterea temperaturii celor din urmă.
- Dacă sunt consumate imediat după scoaterea din congelator, produsele congelate pot provoca degerături ale pielii.

- Se recomandă să etichetați și să marcați data pentru fiecare pachet congelat, pentru a ține evidența timpului de păstrare.

### Recomandări pentru păstrarea alimentelor congelate

- Asigurați-vă că alimentele congelate au fost depozitate corect în magazinul de produse alimentare.
- După dezghețare, alimentele se vor deteriora rapid și nu trebuie recongelate. Nu depășiți perioada de păstrare indicată de producătorul alimentelor.

## 8.3 Oprirea aparatului

Dacă aparatul trebuie oprit o perioadă mai lungă de timp, trebuie să efectuați următorii pași pentru a preveni apariția mucegaiului pe aparat.

1. Scoateți toate alimentele.
2. Scoateți ștecherul din priză.
3. Curățați și uscați bine interiorul.
4. Asigurați-vă că toate ușile sunt fixate în poziție ușor deschisă, pentru a permite circulația aerului.

# 9. ÎNGRIJIREA ȘI CURĂȚAREA

Din motive de igienă, interiorul aparatului (inclusiv accesoriile de interior și exterior) trebuie curățat cu regularitate, cel puțin o dată la două luni.



### ATENȚIE!

Aparatul nu se va conecta la priză în timpul curățării. Pericol de electrocutare! Înainte de curățare, opriți aparatul și scoateți ștecherul din priză.



### ATENȚIE!

- Curățați ușile, mânerul și suprafețele frigiderului cu un detergent slab, apoi uscați-le cu o lavetă moale.
- Nu utilizați obiecte ascuțite, deoarece acestea pot zgâria suprafața.
- Nu folosiți diluant, detergent auto, Clorox, ulei eric, soluții de curățare abrazive sau solvenți organici precum benzen pentru curățare. Acestea pot deteriora suprafața aparatului și pot provoca incendii.

## 9.1 Curățarea suprafețelor exterioare

Pentru a păstra un aspect îngrijit al aparatului, trebuie să îl curățați periodic.

- Ștergeți panoul digital și panoul de afișaj cu o lavetă curată și moale.
- Pulverizați apă pe laveta de curățare și nu direct pe suprafața aparatului. Acest lucru asigură o distribuire uniformă a umidității pe suprafață.

## 9.2 Curățarea interiorului

- Trebuie să curățați cu regularitate interiorul aparatului. Acesta va fi mai ușor de curățat când aveți mai puține alimente. Ștergeți interiorul congelatorului cu o soluție slabă de bicarbonat de sodiu, apoi clățiți-l cu apă caldă cu un burete stors sau cu o lavetă. Uscați-l complet înainte de a pune la loc rafturile și cutiile. Uscați bine toate suprafețele și piesele demontabile.
- Deși acest aparat se dezgheață automat, pe pereții interiori ai compartimentului congelatorului poate apărea un strat de gheață dacă ușa congelatorului este deschisă frecvent sau dacă este ținută mult timp deschisă. Dacă stratul de gheață este prea gros, alegeți un moment când aveți puține alimente și procedați în felul următor:
  1. Scoateți alimentele existente și coșurile pentru accesorii, scoateți ștecherul din priză și lăsați ușile deschise. Aerisiți bine camera pentru a accelera procesul de dezghețare.
  2. După terminarea dezghețării, curățați congelatorul conform descrierii de mai sus.



### ATENȚIE!

Nu folosiți obiecte ascuțite pentru a îndepărta gheața din compartimentul congelatorului. Aparatul trebuie conectat la priza de alimentare și repornit doar după uscarea completă a interiorului.

## 9.3 Curățarea garniturilor ușilor

Procedați cu atenție pentru a păstra garniturile ușilor curate. Alimentele și băuturile lipicioase pot cauza lipirea garniturilor de carcasă și ruperea acestora la deschiderea ușii. Spălați garniturile cu detergent slab și apă caldă. Clățiți-le și uscați-le bine după curățare.



### ATENȚIE!

Aparatul trebuie pornit numai după ce garniturile ușilor sunt complet uscate.



### AVERTISMENT!

Lumina LED nu trebuie înlocuită de către utilizator! Dacă lumina LED este deteriorată, contactați serviciul de asistență pentru clienți.

## 10. DEPANARE

Dacă întâmpinați o problemă cu aparatul sau dacă aveți îndoieli privind funcționarea sa corectă, puteți să efectuați câteva verificări simple înainte de a apela la service; consultați instrucțiunile de mai jos. Înainte de a apela la service, puteți efectua câteva verificări simple conform acestei secțiuni.



### AVERTISMENT!

Nu încercați niciodată să reparați singuri aparatul. Dacă problema persistă după ce ați efectuat verificările menționate mai jos, contactați un electrician calificat, un inginer de service autorizat sau magazinul de unde ați achiziționat produsul.

Problemă	Cauză posibilă și soluție
Aparatul nu funcționează corect	Verificați conectarea corespunzătoare a cablului de alimentare la priză.
	Verificați siguranța sau circuitul sursei de alimentare; înlocuiți-o dacă este necesar.
	Pentru a proteja compresorul, congelatorul nu funcționează pe durata ciclului de decongelare automată sau o perioadă scurtă de timp după pornirea aparatului. Acest lucru este normal.

Mirosuri de la compartimente	<p>Poate fi necesară curățarea interiorului frigiderului.</p> <p>Unele alimente, recipiente sau ambalaje pot provoca mirosuri.</p>
Zgomot de la aparat	<p>Sunetele de mai jos sunt normale: Zgomote de funcționare a compresorului.</p> <ul style="list-style-type: none"> <li>• Zgomot de mișcare a aerului de la motorul ventilatorului mic din compartimentul congelatorului sau din alte compartimente.</li> <li>• Gâlgâit ocazional, similar cu fierberea apei.</li> <li>• Zgomot de trosnitură în timpul decongelării automate.</li> <li>• Zgomot de pocnitură înainte de pornirea compresorului.</li> </ul> <p>Alte zgomote neobișnuite se datorează motivelor enumerate mai jos și pot necesita verificarea și luarea unor măsuri: Aparatul nu este adus la nivel. Partea din spate a aparatului atinge peretele. Sticle sau recipiente care au căzut sau se rostogolesc.</p>
Motorul funcționează continuu	<p>Este normal să auziți frecvent sunetul motorului, deoarece acesta va trebui să funcționeze mai mult în următoarele situații:</p> <ul style="list-style-type: none"> <li>• Setarea de temperatură este reglată la un nivel mai rece decât este necesar.</li> <li>• În aparat au fost depozitate recent cantități mari de alimente calde.</li> <li>• Temperatura din exteriorul aparatului este prea mare.</li> <li>• Ușile sunt ținute deschise o perioadă mare de timp.</li> <li>• După instalarea aparatului sau dacă acesta a fost oprit o perioadă îndelungată.</li> </ul>
În compartiment se formează un strat de gheață	<p>Verificați ca prizele de aer să nu fie blocate de alimente și asigurați-vă că alimentele sunt așezate în aparat astfel încât să permită o ventilație suficientă. Asigurați-vă că ușa este închisă complet. Pentru a îndepărta gheața, consultați secțiunea „Curățarea și îngrijirea”.</p>
Temperatura din interior este prea ridicată	<p>Este posibil să fi lăsat ușile deschise prea mult timp sau de prea multe ori sau ușile sunt ținute deschise de un obstacol; sau aparatul este instalat fără a avea un spațiu suficient în părțile laterale, în spate sau în partea de sus.</p>
Temperatura din interior este prea scăzută	<p>Măriți temperatura conform indicațiilor din capitolul „Comenzile de pe afișaj”.</p>
Ușile nu pot fi închise cu ușurință	<p>Verificați dacă partea de sus a frigiderului este înclinată înapoi cu 10-15 mm pentru a permite închiderea automată a ușilor sau dacă un obiect din interior împiedică închiderea ușilor.</p>

Picături de apă pe podea	Tava de apă (situată în partea de jos a carcasei spate) poate să nu fie nivelată corespunzător sau duza de golire (situată sub partea de sus a containerului compresorului) poate să nu fie poziționată corect și să nu direcționeze apa în această tavă sau duza de apă este blocată. Poate fi necesar să trageți frigiderul de la perete pentru a verifica tava și duza.
Lumina nu funcționează	Lumina LED poate fi defectă. Consultați instrucțiunile pentru înlocuirea luminilor LED din capitolul referitor la îngrijire și curățare. Sistemul de comandă a dezactivat luminile din cauză că ușa a fost ținută deschisă prea mult timp; închideți și redeschideți ușa pentru a reactiva luminile.
Ușa nu se deschide uniform	Verificați garnitura ușii; dacă este necesar, curățați garnitura de etanșare din cauciuc din jurul marginilor ușii cu apă caldă și detergent de vase. Aici se pot aduna mizerie și impurități, care pot cauza lipirea ușii de frigider.

## 11. CASAREA APARATULUI

Frigiderul este construit din materiale refolosibile. Acesta trebuie casat în conformitate cu reglementările locale privind eliminarea deșeurilor. Aparatul conține o cantitate mică de agent de răcire (R600a) în circuitul de refrigerare. Pentru siguranța dvs., consultați secțiunea referitoare la „agentul de răcire și riscul de incendiu” din acest manual de

instrucțiuni înainte de casarea aparatul. Tăiați cablul de alimentare pentru a face frigiderul inutilizabil și scoateți garnitura și închizătoarea ușii. Procedați cu precauție în ceea ce privește sistemul de răcire și nu îl deteriorați prin găurirea recipientului de agent de răcire și/sau îndoirea tubului și/sau prin zgârieturi pe stratul de suprafață.

### Eliminarea corectă a acestui produs



Acest simbol de pe produs sau de pe ambalaj indică faptul că acest produs nu poate fi aruncat împreună cu deșeurile menajere. Trebuie predat la punctul corespunzător de colectare a deșeurilor, pentru reciclarea echipamentului electric și electronic. Prin casarea corectă a acestui produs, veți ajuta la prevenirea potențialelor consecințe negative asupra mediului înconjurător și sănătății umane, care pot fi afectate de aruncarea necorespunzătoare a produsului. Pentru informații detaliate privind reciclarea acestui produs, contactați administrația locală, serviciul de salubritate sau magazinul de unde ați cumpărat produsul.



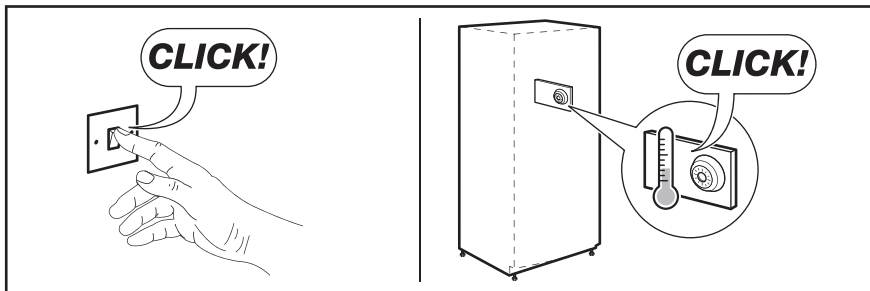
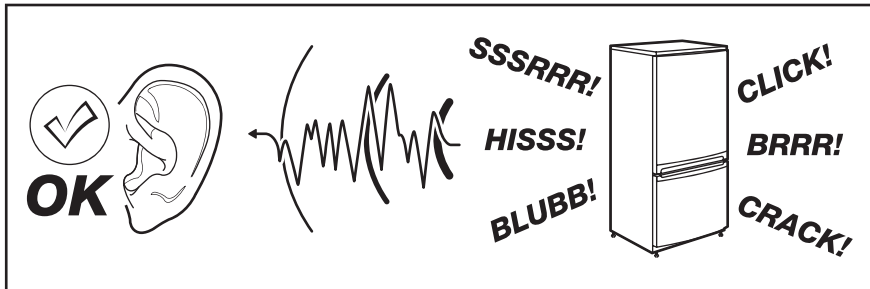
## 12. DATE TEHNICE

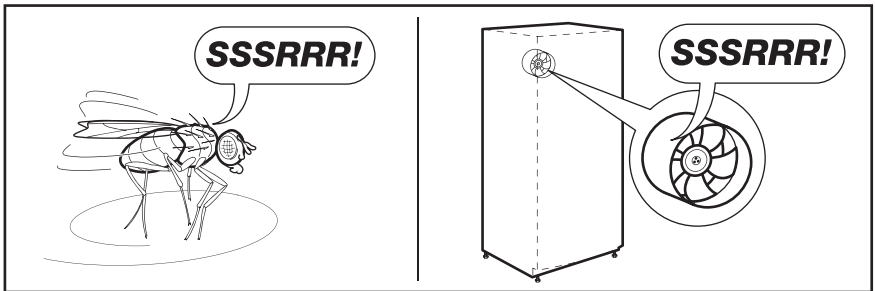
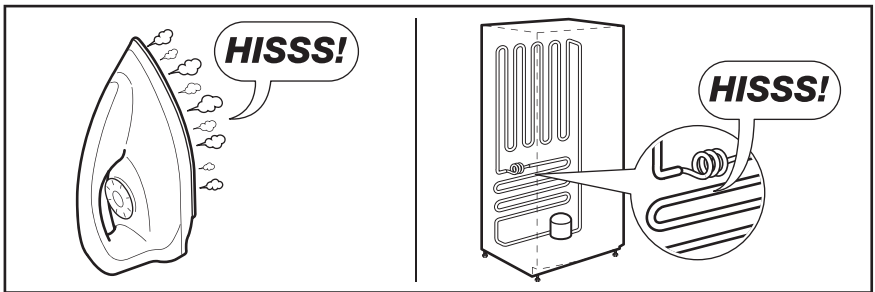
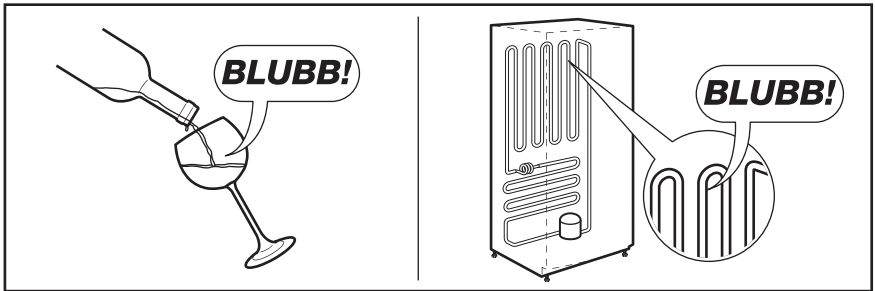
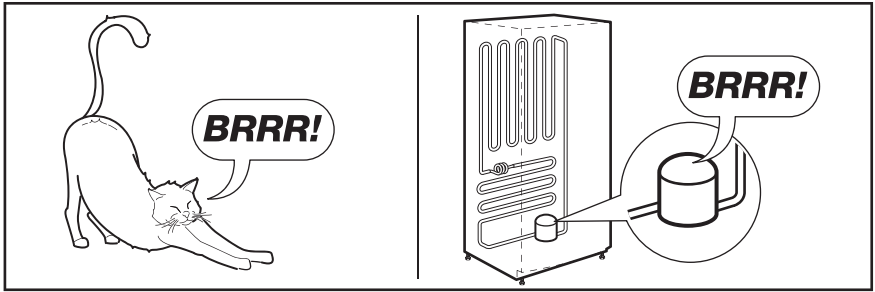
Dimensiuni	
Înălțime	1766 mm
Lățime	912 mm
Adâncime	765 mm
Perioada de atingere a condițiilor normale de funcționare	12 ore
Tensiune	220-240 V
Frecvență	50 Hz

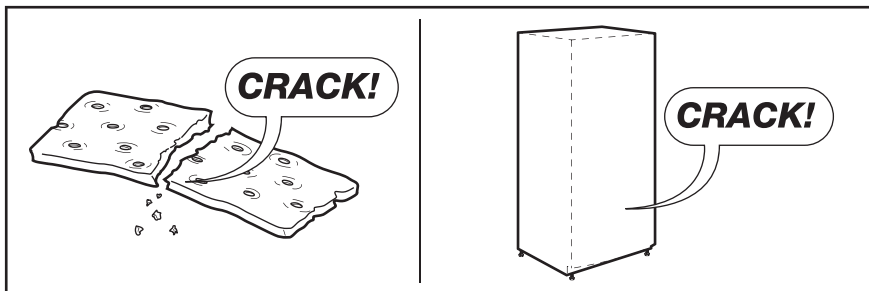
Informațiile tehnice sunt specificate pe plăcuța cu date tehnice, aflată pe partea stângă în interiorul aparatului, și pe eticheta energetică.

## 13. ZGOMOTE

În timpul utilizării normale se aud unele sunete (compresorul, circulația agentului de răcire).







# СОДЕРЖАНИЕ

1. СВЕДЕНИЯ ПО ТЕХНИКЕ БЕЗОПАСНОСТИ .....	201
2. ИНСТРУКЦИИ ПО ТЕХНИКЕ БЕЗОПАСНОСТИ .....	202
3. ОХРАНА ОКРУЖАЮЩЕЙ СРЕДЫ .....	204
4. ОПИСАНИЕ ПРИБОРА.....	205
5. УСТНОВКА НОВОГО ПРИБОРА.....	207
6. ПАНЕЛЬ УПРАВЛЕНИЯ .....	209
7. ИСПОЛЬЗОВАНИЕ ПРИБОРА.....	212
8. ПОЛЕЗНЫЕ УКАЗАНИЯ И РЕКОМЕНДАЦИИ.....	217
9. ОЧИСТКА И УХОД .....	218
10. ПОИСК И УСТРАНЕНИЕ НЕИСПРАВНОСТЕЙ .....	219
11. УТИЛИЗАЦИЯ ПРИБОРА.....	222
12. ТЕХНИЧЕСКИЕ ДАННЫЕ .....	222
13. ШУМЫ ПРИ РАБОТЕ.....	223

## ДЛЯ ИДЕАЛЬНЫХ РЕЗУЛЬТАТОВ

Благодарим вас за выбор данного изделия Electrolux. Этот прибор создан на базе инновационных технологий, оснащен рядом уникальных полезных функций и будет служить вам долгие годы. Потратьте несколько минут на чтение инструкций, чтобы использовать все возможности устройства в полном объеме.

### На нашем веб-сайте Вы сможете:



Найти рекомендации по использованию изделий, руководства по эксплуатации, мастер устранения неисправностей, информацию о техническом обслуживании:  
**[www.electrolux.com](http://www.electrolux.com)**



Зарегистрировать свое изделия для улучшения обслуживания:  
**[www.electrolux.com/productregistration](http://www.electrolux.com/productregistration)**




Приобрести дополнительные принадлежности, расходные материалы и фирменные запасные части для своего прибора:  
**[www.electrolux.com/shop](http://www.electrolux.com/shop)**

## ПОДДЕРЖКА ПОТРЕБИТЕЛЕЙ И СЕРВИСНОЕ ОБСЛУЖИВАНИЕ


Используйте только оригинальные запасные части.

Перед обращением в сервисный центр следует уточнить следующие сведения: модель, номер изделия (PNC), серийный номер.

Данная информация находится на табличке с техническими данными.

 Внимание / Осторожно — сведения по технике безопасности.

 Общая информация и рекомендации.

 Информация по охране окружающей среды.

Настоящий документ может быть изменен без предварительного уведомления.





# 1. СВЕДЕНИЯ ПО ТЕХНИКЕ БЕЗОПАСНОСТИ

Перед установкой и эксплуатацией прибора внимательно ознакомьтесь с приложенным руководством. Производитель не несет ответственность за травмы и повреждения, полученные/вызванные неправильной установкой и эксплуатацией. Позаботьтесь о том, чтобы данное руководство было у Вас под рукой на протяжении всего срока службы прибора.

## 1.1 Безопасность детей и лиц с ограниченными возможностями

- Данный прибор может эксплуатироваться детьми старше 8 лет и лицами с ограниченными физическими, сенсорными или умственными способностями и с недостаточным опытом или знаниями только под присмотром лица, отвечающего за их безопасность, или после получения соответствующих инструкций и указаний, позволяющих им безопасно эксплуатировать прибор и дающих им представление о сопряженной с его эксплуатацией опасности.
- Не позволяйте детям играть с прибором.
- Очистка и доступное пользователю техническое обслуживание не должны производиться детьми без присмотра.
- Храните все упаковочные материалы в недоступном для детей месте.

## 1.2 Общие правила техники безопасности

- Прибор предназначен для бытового и аналогичного применения, например:
  - в сельских жилых домах, в помещениях, служащих кухнями для персонала в магазинах, офисах и на других рабочих местах;
  - для использования клиентами отелей, мотелей и других мест проживания.
- Не перекрывайте вентиляционные отверстия в корпусе прибора или в мебели, в которую он встроен.
- Не используйте механические устройства или любые другие средства, кроме рекомендованных производителем, для ускорения процесса размораживания.
- Не допускайте повреждения холодильного контура.
- Не используйте внутри отсеков для хранения пищевых продуктов электрические приборы, если они не рекомендованы производителем.

- Не используйте для очистки прибора подаваемую под давлением воду или пар.
- Очищайте прибор мягкой влажной тряпкой. Используйте только нейтральное моющее средство. Не используйте абразивные средства, царапающие губки, растворители или металлические предметы.
- Не храните в винном шкафу взрывоопасные предметы, такие как аэрозольные баллоны с легковоспламеняющимися веществами.
- Если шнур питания был поврежден, то во избежание несчастного случая его должен заменить изготовитель, специалист авторизованного сервисного центра или специалист с аналогичной квалификацией.
- Если прибор оснащен льдогенератором или дозатором воды, наполняйте их только пригодной для питья водой.
- Если прибор необходимо подключить к источнику водоснабжения, выполняйте подключение только к источнику пригодной для питья воды.
- Рабочее давление воды на входе (минимальное и максимальное) должно находиться в пределах 1 бар (0,1 МПа) и 10 бар (1 МПа).

## 2. ИНСТРУКЦИИ ПО ТЕХНИКЕ БЕЗОПАСНОСТИ

### 2.1 Установка



#### **ПРЕДУПРЕЖДЕНИЕ!**

Установка прибора должна осуществляться только квалифицированным персоналом.

- Удалите всю упаковку.
- Не устанавливайте и не подключайте прибор, имеющий повреждения.
- Следуйте приложенным к прибору инструкциям по установке.
- Прибор имеет большой вес: соблюдайте предосторожность при его перемещении. Всегда используйте защитные перчатки.
- Убедитесь, что вокруг прибора имеется достаточная вентиляция.
- Перед подключением прибора к электросети подождите не менее 4 часов. Это необходимо сделать для того, чтобы масло могло вернуться в компрессор.
- Не устанавливайте прибор рядом с радиаторами отопления, кухонными плитами, духовыми шкафами или варочными панелями.
- Задняя сторона прибора должна располагаться у стены.
- Не устанавливайте прибор там, где на него может падать прямой солнечный свет.
- Не устанавливайте прибор в помещениях с высоким уровнем влажности или слишком низкой температурой, например, в служебных пристройках, гаражах или винных погребах.
- При перемещении прибора поднимайте его за передний край, чтобы не допустить появления царапин на полу.



## 2.2 Подключение к электросети



### **ПРЕДУПРЕЖДЕНИЕ!**

Существует риск пожара и поражения электрическим током.

- Прибор должен быть заземлен.
- Убедитесь, что параметры электропитания, указанные на табличке с техническими данными, соответствуют параметрам электросети. В противном случае вызовите электрика.
- Включайте прибор только в установленную надлежащим образом электророзетку с защитным контактом.
- Не пользуйтесь тройниками и удлинителями.
- Следите за тем, чтобы не повредить электрические компоненты прибора (вилку кабеля электропитания, компрессор и т.д.). Для замены электрических компонентов обратитесь в сервисный центр или к электрику.
- Кабель электропитания должен располагаться ниже уровня вилки электропитания. Вставляйте вилку сетевого кабеля в розетку только в конце установки прибора. Убедитесь, что после установки прибора к вилке электропитания имеется свободный доступ. Для отключения прибора от электросети не тяните за кабель электропитания. Всегда беритесь за саму вилку.

## 2.3 Эксплуатация



### **ПРЕДУПРЕЖДЕНИЕ!**

Существует риск травмы, ожога, поражения электрическим током или пожара.

- Не вносите изменения в параметры данного прибора.
- Не помещайте в прибор электроприборы (например, мороженицы), если их производителем не указано, что подобное их применение допустимо.
- Следите за тем, чтобы не повредить холодильный контур. Прибор содержит хладагент изобутан (R600a), природный газ, безвредный для окружающей среды. Данный газ огнеопасен.
- В случае повреждения холодильного контура следует исключить появление в помещении открытого пламени или источников возгорания. Хорошо проветрите помещение.
- Не ставьте на пластмассовые части прибора горячую посуду.
- Не помещайте газированные напитки в морозильную камеру. Это приведет к возникновению излишнего давления в емкости с напитком.
- Не храните внутри прибора горючие газы и жидкости.
- Не кладите на прибор, рядом с ним или внутрь него легковоспламеняющиеся материалы или изделия, пропитанные легковоспламеняющимися веществами.
- Не прикасайтесь к компрессору или конденсатору. Они горячие.
- Не извлекайте и не касайтесь предметов в морозильном отделении мокрыми или влажными руками.
- Не замораживайте повторно уже размороженные продукты.
- Соблюдайте инструкции по хранению, приведенные на упаковке замороженных продуктов.

## 2.4 Внутреннее освещение

- Установленная в приборе лампа не подходит для комнатного освещения.

## 2.5 Уход и очистка



### **ПРЕДУПРЕЖДЕНИЕ!**

Это может привести к повреждению прибора или травмам.

- Перед обслуживанием необходимо выключить прибор и извлечь вилку сетевого шнура из розетки.
- В холодильном контуре данного прибора содержатся углеводороды. Техническое обслуживание и перезарядка должны выполняться только квалифицированным специалистом.
- Регулярно проверяйте сливное отверстие в корпусе прибора и при необходимости прочищайте его. В случае засорения отверстия талая вода будет скапливаться в нижней части прибора.

## 2.6 Утилизация





### **ПРЕДУПРЕЖДЕНИЕ!**

Существует опасность травмы или удушья.

- Отключите прибор от сети электропитания.
- Отрежьте и утилизируйте кабель электропитания.
- Снимите дверцу, чтобы предотвратить риск ее заперения при попадании внутрь прибора детей и домашних животных.
- Содержимое холодильного контура и изоляционные материалы данного прибора не вредят озоновому слою.
- Изоляционный пенопласт содержит горючий газ. Для получения информации о том, как надлежит утилизировать данный прибор, обратитесь в местные муниципальные органы власти.
- Не допускайте повреждения той части узла охлаждения, которая находится рядом с теплообменником.

## 3. ОХРАНА ОКРУЖАЮЩЕЙ СРЕДЫ

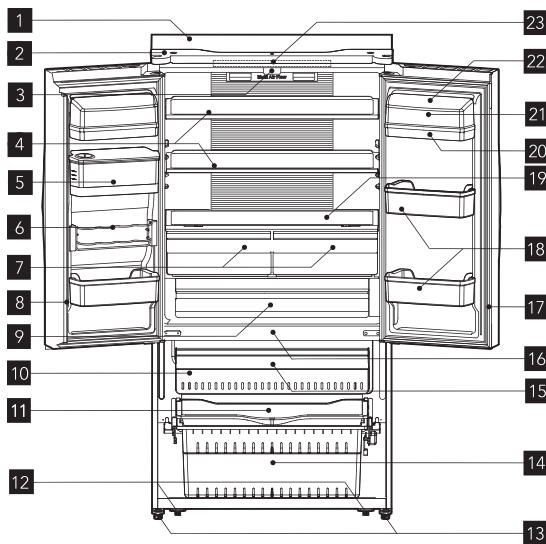
Материалы с символом  следует сдавать на переработку. Упаковку следует выбрасывать в соответствующие контейнеры для сбора вторичного сырья. Принимая участие в переработке старого электробытового оборудования, вы помогаете защитить окружающую

среду и здоровье человека. Не выбрасывайте вместе с бытовыми отходами бытовую технику, помеченную символом . Передайте изделие на местное предприятие по переработке вторичного сырья или обратитесь в свое муниципальное управление.



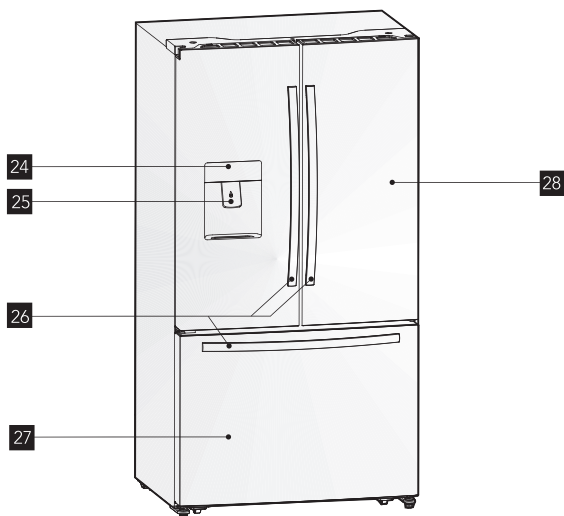
## 4. ОПИСАНИЕ ПРИБОРА

4.1 Рис. 1. Прибор в открытом состоянии



- |   |  |
|---|--|
| <b>1</b> Корпус   | <b>13</b> Регулировочные ножки                               |
| <b>2</b> Верхняя панель                                   | <b>14</b> Нижний ящик морозильной камеры                     |
| <b>3</b> Направляющий блок вертикальной перегородки       | <b>15</b> Верхний ящик морозильной камеры                    |
| <b>4</b> Стеклопанель                                     | <b>16</b> Светодиодное освещение морозильной камеры (внутри) |
| <b>5</b> Резервуар для воды                               | <b>17</b> Уплотнитель дверцы холодильника                    |
| <b>6</b> Регулируемая полка для банок                     | <b>18</b> Нижняя полка                                       |
| <b>7</b> Ящик для фруктов и овощей                        | <b>19</b> Крышка ящика для фруктов и овощей                  |
| <b>8</b> Часть вертикальной перегородки                   | <b>20</b> Верхняя полка                                      |
| <b>9</b> Отделение для сохранения свежести                | <b>21</b> Лоток для яиц (внутри)                             |
| <b>10</b> Лоток для льда с механизмом извлечения (внутри) | <b>22</b> Крышка полки                                       |
| <b>11</b> Служебный лоток                                 | <b>23</b> Светодиодная подсветка холодильника (внутри)       |
| <b>12</b> Ролики  |  |

## 4.2 Рис. 2. Прибор в закрытом состоянии



**24** Дисплей панели управления

**25** Дозатор холодной воды

**26** Ручки

**27** Дверца морозильной камеры

**28** Дверца холодильного отделения

**Примечание.** Мы постоянно стремимся к усовершенствованию наших продуктов, поэтому ваш холодильник может незначительно отличаться от иллюстрации выше, но функции и принципы использования прибора не изменяются.

**Примечание.** Для того чтобы добиться максимальной энергоэффективности продукта, установите все полки, ящики и корзины в исходном положении, как указано на иллюстрации выше.

	<p><b>!</b> Данный прибор продается во Франции. В соответствии с действующим в этой стране законодательством он должен быть оснащен специальным устройством (см. рисунок), размещенным в нижнем отделении холодильника и указывающим на его самую холодную зону.</p>
--	--

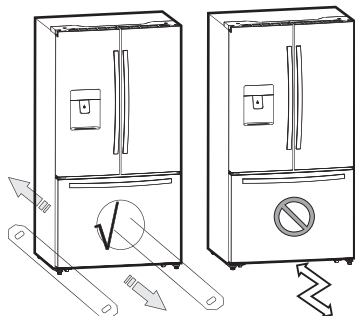
## 5. УСТНОВКА НОВОГО ПРИБОРА

В данном разделе описывается установка прибора перед первым включением. Рекомендуем ознакомиться со следующими инструкциями.



### ПРЕДУПРЕЖДЕНИЕ!

Для надлежащей установки холодильник должен быть размещен на ровной твердой поверхности, находящейся на одном уровне с остальным покрытием пола. Поверхность должна быть достаточно прочной, чтобы выдержать полностью загруженный холодильник весом примерно в 120 кг (266 фунтов). Перемещать прибор можно только в вертикальном положении.

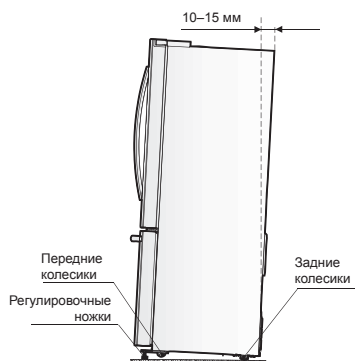


Класс	Символ	Диапазон температур окружающей среды (°C)
Умеренный (широкий диапазон)	SN	от +10 до +32°C
Умеренный	N	от +16 до +32°C
Субтропический	ST	от +16 до +38°C
Тропический	T	от +16 до +43°C

### 5.1 Выравнивание прибора

Холодильник оснащен регулируемыми передними ножками, которые позволяют выравнивать прибор во избежание возникновения вибрации. Для выравнивания прибора выполните следующие действия.

1. Установите холодильник в требуемое положение.
2. Отрегулируйте ножки по высоте (вращая их вручную или используя подходящий гаечный ключ) так, чтобы они касались пола.
3. Выполните 1–2 поворота ножки, чтобы отклонить верхнюю часть холодильника на 10–15 мм назад. Это позволит дверцам самостоятельно закрываться, обеспечивая плотное прилегание.
4. Перед перемещением холодильника обязательно закрутите ножки, чтобы они не мешали свободному движению прибора. Выполните повторное выравнивание холодильника после установки в новом месте.



### ПРЕДУПРЕЖДЕНИЕ!

Поскольку ролики не являются поворотными колесиками, прибор можно перемещать только вперед или назад. Перемещение холодильника влево или вправо может привести к повреждению пола или роликов.

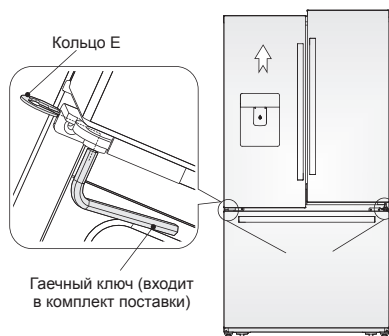
## 5.2 Регулировка положения ручек дверцы

Перед использованием прибора проверьте положение ручек. Если ручки прилегают к дверцам неплотно, затяните фиксирующие их винты в направлении по часовой стрелке с помощью подходящего гаечного ключа. Каждая ручка крепится 2 винтами.



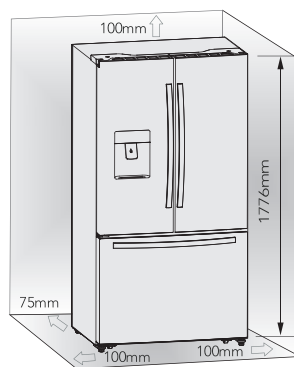
## 5.3 Регулировка положения дверцы

- Левая и правая дверцы оснащены регулируемыми осями, которые расположены в нижних петлях.
- Перед регулировкой положения дверцы убедитесь, что холодильник выровнен. При необходимости обратитесь к предыдущему разделу "Выравнивание прибора". Если верхние части дверей располагаются не на одном уровне, поверните ось петли с помощью гаечного ключа в направлении по часовой стрелке, чтобы приподнять дверцу, или в направлении против часовой стрелки, чтобы опустить ее. Затем вставьте кольцо E в зазор.



## 5.4 Вентиляция прибора

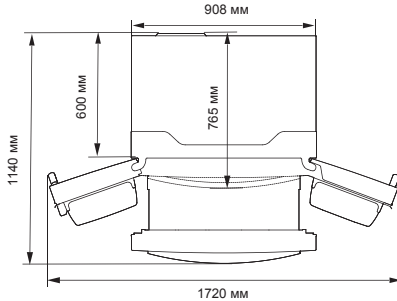
Чтобы система охлаждения работала максимально эффективно при более низком уровне потребления электроэнергии, необходимо обеспечить хорошую циркуляцию воздуха вокруг прибора. Для этого следует оставить достаточно места вокруг холодильника и убрать все предметы, мешающие свободной циркуляции воздуха.







**Рекомендация.** Для обеспечения оптимальной работы прибора оставьте зазоры между соседними приборами и элементами интерьера, как показано на рисунке выше.

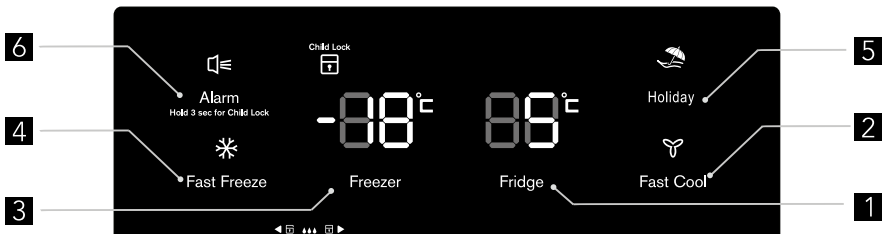


## 6. ПАНЕЛЬ УПРАВЛЕНИЯ

Все элементы управления настройками и функциями прибора доступны на панели управления, которая расположена на дверце холодильника. Удобные и интуитивно понятные сенсорные кнопки и цифровой дисплей обеспечивают простоту настройки функций и параметров прибора.

**Внимание!** Сенсорные кнопки реагируют только на короткое нажатие. Выбранная операция выполняется, когда пользователь убирает палец с сенсорной кнопки, а не во время ее нажатия. Не давите на кнопки слишком сильно. Включение функции защиты от детей, назначенной кнопке

"Alarm", осуществляется длительным нажатием кнопки (в течение не менее 3 секунд). Подробные инструкции см. в соответствующем разделе данного руководства. На панели управления имеются индикаторы двух температурных зон, пять значков различных режимов работы холодильника и шесть сенсорных кнопок. При первом включении прибора на панели дисплея включается подсветка значков. Если в течение 60 секунд не была нажата ни одна кнопка на панели управления и дверцы холодильника оставались закрытыми, подсветка выключается.



## Управление температурой

При первом включении холодильника рекомендуется установить температуру 5°C для холодильного отделения и -18°C для морозильной камеры. Чтобы изменить температуру, выполните приведенные ниже инструкции.

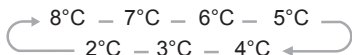


### ВНИМАНИЕ!

При установке температуры заданное значение является средним для всего холодильного отделения. Температура в каждом отсеке может отличаться от значений, отображаемых на панели управления, в зависимости от количества продуктов, хранящихся в отсеке, и их размещения. На фактическую температуру внутри холодильника может также влиять температура окружающей среды.

## 6.1 Холодильник

Последовательно нажимайте кнопку "Fridge", чтобы установить требуемую температуру в диапазоне от 8°C до 2°C. При каждом нажатии кнопки температура уменьшается на 1°C, а показания на индикаторе температуры изменяются соответствующим образом.



## 6.2 Быстрое охлаждение

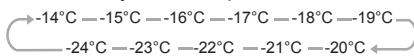


Если необходимо поместить в холодильник большое количество теплых продуктов, например, после посещения магазина, рекомендуется включить функцию быстрого охлаждения для ускоренного охлаждения новых продуктов и предотвращения повышения температуры продуктов, уже находящихся в холодильнике.

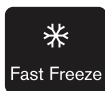
- Нажмите кнопку "Fast Cool" для активации этой функции. На панели управления загорится значок мгновенного охлаждения, и индикатор температуры холодильника покажет 2°C.
- Функция мгновенного охлаждения выключается автоматически через 6 часов.
- Нажмите кнопку "Fast Cool" или "Fridge", чтобы выключить режим быстрого охлаждения и установить заданную ранее температуру.

## 6.3 Морозильная камера

Нажмите кнопку "Freezer" для установки требуемой температуры морозильной камеры в диапазоне между -14°C и -24°C, при этом показания индикатора температуры морозильной камеры изменятся соответствующим образом.



## 6.4 Быстрое замораживание



Функция быстрого замораживания позволяет быстро снизить температуру в морозильной камере и значительно

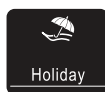
ускорить процесс замораживания продуктов.

Нажмите кнопку "Fast Freeze", чтобы включить функцию быстрого замораживания. На панели управления загорится значок быстрого замораживания, и индикатор температуры морозильной камеры покажет  $-24^{\circ}\text{C}$ .

- При первом включении холодильника или после длительного простоя в выключенном состоянии режим быстрого замораживания можно использовать только по истечении 6 часов работы в обычном режиме. Это особенно важно при помещении в морозильную камеру большого количества продуктов для замораживания.
- Функция быстрого замораживания выключается автоматически по истечении 26 часов работы морозильной камеры в данном режиме, при этом температура в морозильной камере опускается ниже  $-20^{\circ}\text{C}$ .
- Нажмите кнопку "Fast Freeze" или "Freezer", чтобы выключить режим быстрого замораживания и установить заданную ранее температуру.

**Примечание.** При выборе режима быстрого замораживания убедитесь, что в морозильной камере нет бутылок или банок с напитками (особенно газированными). Бутылки и банки могут взорваться.

## 6.5 Holiday



Эта функция предназначена для снижения уровня энергопотребления и уменьшения расходов на электроэнергию, если

холодильник не используется в течение продолжительного времени. Чтобы включить эту функцию, нажмите кнопку "Holiday". На дисплее загорится значок режима отпуска.

**Внимание!** В течение этого периода в холодильном отделении не должно быть продуктов.

- При включении функции отпуска температура в холодильном отделении автоматически переключается на  $15^{\circ}\text{C}$  для снижения уровня энергопотребления. Для настройки температуры в холодильном отделении отобразится символ "-", при этом морозильная камера продолжит работать в обычном режиме.
- Нажмите кнопку "Holiday", чтобы выключить режим отпуска и установить заданную ранее температуру.

## 6.6 Оповещение

В случае какой-либо неполадки на дисплее загорается значок "Alarm" и звучит звуковой сигнал.

Чтобы выключить индикатор и звуковой сигнал, нажмите кнопку "Alarm". Значок "Alarm" погаснет.



### **ВНИМАНИЕ!**

При включении холодильника после длительного простоя в выключенном состоянии может сработать система оповещения. В этом случае необходимо нажать кнопку "Alarm", чтобы отменить эту функцию.

## Оповещение об открытой дверце

Индикатор оповещения и звуковой сигнал сообщают о каких-либо нестандартных ситуациях, например, о случайном открытии дверцы или сбое в подаче электропитания.

- Если дверца холодильного отделения или морозильной камеры остается открытой более 2 минут, загорается соответствующий индикатор и звучит звуковой сигнал. Звуковой сигнал подается 3 раза в минуту в течение 10 минут. Чтобы выключить звуковой сигнал и индикатор, закройте дверцу.
- В целях экономии энергии не оставляйте дверцы работающего холодильника открытыми в течение продолжительного времени. После закрытия дверцы индикатор предупреждения об открытой дверце гаснет.

## Оповещение о повышении температуры

Данная важная функция предупреждает вас о потенциально опасных ситуациях, которые могут привести к порче продуктов, хранящихся в холодильнике. В случае сбоя в подаче электропитания, например в результате перебоев в электроснабжении в вашем

районе во время вашего отсутствия, функция оповещения о повышении температуры запомнит температуру в морозильной камере на момент возобновления подачи электропитания. Это позволит вам узнать, до какой температуры нагрелись продукты во время сбоя электроснабжения.

Индикатор оповещения о повышении температуры и звуковой сигнал включаются, если температура выше  $-9^{\circ}\text{C}$ . При этом:

- а- загорается индикатор оповещения;
- б- показания индикатора температуры в морозильной камере меняются на символ "H";
- в- звуковой сигнал звучит 10 раз после срабатывания оповещения и выключается автоматически.

## Защита от детей



Чтобы включить функцию защиты от детей, нажмите и удерживайте кнопку "Alarm" в течение примерно 3 секунд.

Дисплей будет отключен во избежание случайного изменения настроек.

В это же время на панели управления загорится значок "Child Lock".

- Чтобы выключить функцию защиты от детей, нажмите и удерживайте в течение 3 секунд кнопку "Alarm". Значок "Child Lock" погаснет.

# 7. ИСПОЛЬЗОВАНИЕ ПРИБОРА

## 7.1 Дозатор холодной воды

Дозатор холодной воды, располагающийся в левой дверце холодильника, используется для хранения питьевой воды. Это устройство позволяет наливать охлажденную воду, не открывая дверцы холодильника.

- Очистка  
Перед первым использованием необходимо вымыть дозатор воды.

Шаг 1: выньте дозатор воды.

Шаг 2: промойте его чистой водой.

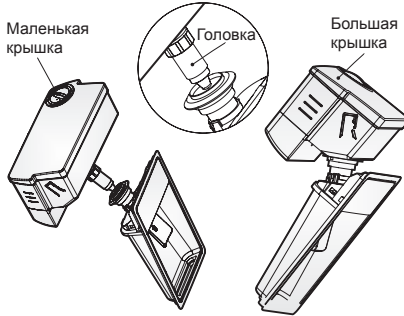
Шаг 3: высушите его.

- Сборка

Чтобы установить дозатор на место, выполните следующие инструкции.

1. Удерживая емкость для воды с двух сторон, приподнимите ее и извлеките из дверцы.
2. Отвинтите головку, поворачивая ее против часовой стрелки.

3. Установите конструкцию в дверцу и нажмите на емкость до щелчка.



**ПРЕДУПРЕЖДЕНИЕ!**

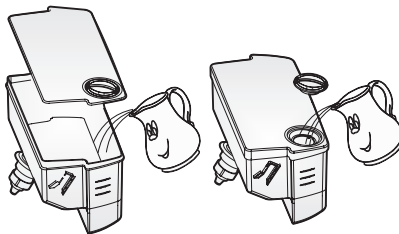
При установке емкости для воды сначала убедитесь, что головка правильно располагается в отверстии. Заполнение водой. Прежде чем наполнить емкость водой убедитесь, что емкость надежно установлена в правильное положение. Во избежание переполнения и утечки уровень воды должен быть ниже максимальной отметки, которая соответствует 4,0 литрам. Налить воду в емкость можно двумя способами.

1. Снимите маленькую крышку и налейте воду в емкость через отверстие в большой крышке.
2. Снимите большую крышку и налейте воду в емкость.

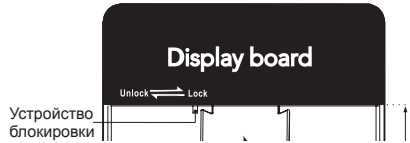


**ВНИМАНИЕ!**

Не наливайте в емкость для воды другие жидкости.



- Блокировка  
Прежде чем приступить к использованию дозатора воды, убедитесь, что он разблокирован и находится в положении "unlock". Устройство блокировки располагается под дисплеем панели управления, как показано на рисунке.



**ПРЕДУПРЕЖДЕНИЕ!**

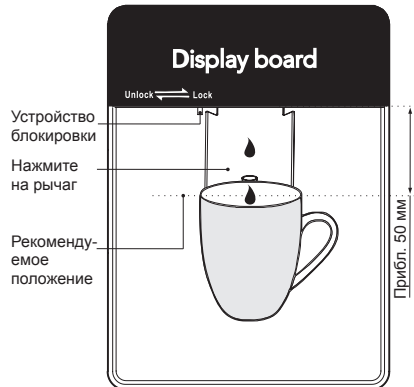
Устройство блокировки используется для блокировки дозатора. Не нажимайте на рычаг дозатора, если он заблокирован и находится в положении "lock", так как это может привести к повреждению дозатора.

- Использование дозатора воды  
Дозатор воды можно использовать только с чашкой определенного размера.



**ПРЕДУПРЕЖДЕНИЕ!**

Не нажимайте на рычаг дозатора при отсутствии чашки под отверстием подачи воды, так как это может привести к разливу воды. Не убирайте устройство подачи воды, даже если дозатор воды не используется, чтобы из холодильника не выходил холодный воздух.



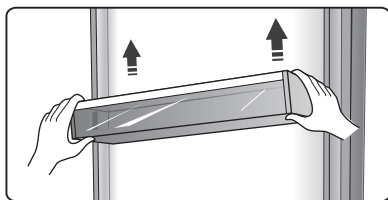
**Примечание.** При частом использовании дозатора в поддон могут попадать капли воды, что в свою очередь может привести к переполнению поддона. Вытирайте поддон полотенцем по мере необходимости.

## 7.2 Полки дверцы

Дверцы холодильного отделения оснащены полками для хранения различных напитков в банках, бутылках и упаковках с продуктами. Не помещайте на полки дверцы большое количество тяжелых продуктов.

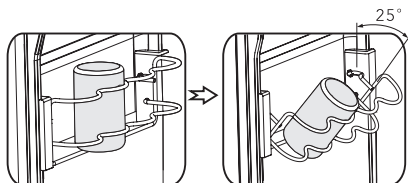
- Высоту средней полки можно регулировать в зависимости от ваших требований. Чтобы снять полку, необходимо поднять ее вверх. При этом полка должна быть пустой. Затем можно установить полку на необходимой высоте.

**Примечание.** В комплект поставки входит лоток для яиц, который следует установить на верхней полке.



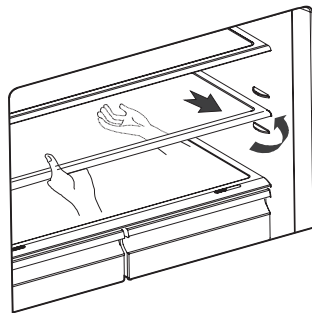
## 7.3 Полка для банок

- Эта полка предназначена для хранения 4 банок стандартного размера, но не подходит для банок диаметром меньше 50 мм. При необходимости полку можно опустить вниз под углом 25°, чтобы банки с напитками было удобнее ставить и вынимать.

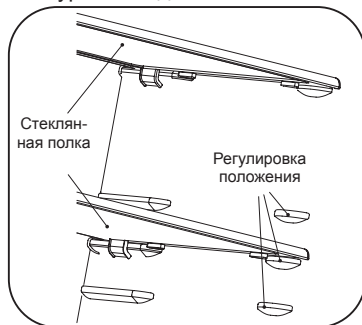


## 7.4 Стекланные полки

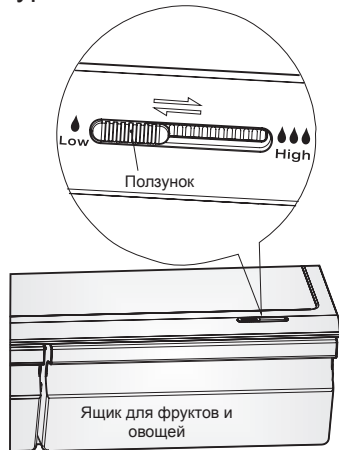
Камера холодильного отделения оснащена двумя стеклянными полками. Верхняя полка не является съемной, нижнюю полку можно переставлять. В холодильном отделении предусмотрено три положения для установки нижней полки. Полку можно установить на необходимой вам высоте.



- Чтобы извлечь полку, аккуратно потяните ее на себя так, чтобы она полностью вышла из направляющих.
- При установке полки убедитесь в отсутствии каких-либо препятствий и аккуратно задвиньте ее на место.



### 7.5 Ящик для фруктов и овощей с регулировкой уровня влажности

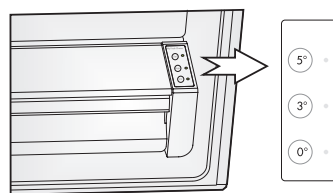


Выдвижной ящик на телескопических направляющих предназначен для хранения овощей и фруктов. Он оснащен ползунком, с помощью которого можно регулировать уровень влажности внутри ящика.

- Ползунок регулировки влажности позволяет регулировать циркуляцию воздуха в ящике для фруктов и овощей; чем больше воздуха поступает в ящик, тем ниже уровень влажности. Сдвиньте ползунок регулировки влажности вправо, чтобы увеличить уровень влажности.
- Высокий уровень влажности рекомендуется для хранения овощей, а низкий уровень — для фруктов.
- Чтобы извлечь ящик для фруктов и овощей или ящик морозильной камеры для их очистки, выполните следующие простые действия. Достаньте из ящика для фруктов и овощей все продукты и откройте его полностью. Выньте ящик из боковых направляющих. Задвиньте направляющие внутрь прибора перед тем, как закрыть дверцу холодильника во избежание ее повреждения.

### 7.6 FRESH ZONE Точная регулировка температуры (дополнительная функция)

Оптимальная температура хранения продуктов позволяет сохранять их свежими в течение более длительного периода, но разные типы продуктов должны храниться при разной температуре. Справа от ящика располагается панель управления охлаждением. С помощью кнопок FRESH ZONE для этого отделения можно установить температуру 0°C, 3°C и 5°C в зависимости от хранящихся в нем продуктов: мяса, фруктов и овощей или деликатесных изделий. Рекомендуемый температурный режим для каждого из типов продуктов указан в приведенной ниже таблице.



Деликатесные изделия [5°C]	Овощи [3°C]	0°C [0°C]
Сыр	Огурцы	Стейки
Ветчина	Салат	Рыба
Салями	Апельсины	Мясная нарезка
Оливки	Кукуруза	Птица

### 7.7 Использование холодильного отделения

В холодильном отделении можно хранить овощи и фрукты. Рекомендуется использовать отдельные упаковки для хранения разных типов продуктов, чтобы их запахи не смешивались между собой и продукты не теряли влагу.

**ВНИМАНИЕ!**

Не закрывайте дверцы холодильника, если полки, ящик для фруктов и овощей и/или телескопические направляющие выдвинуты. Несоблюдение этого требования может привести к повреждению прибора.

## 7.8 Использование ящика морозильной камеры

Ящик морозильной камеры предназначен для продуктов с низкой температурой хранения, например мяса, мороженого и т. д.

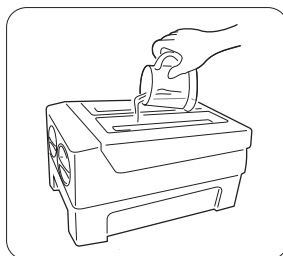
Чтобы извлечь ящик, полностью откройте морозильную камеру, приподнимите служебный лоток и выньте его, затем откройте дверцы холодильника максимально широко и извлеките нижний ящик морозильной камеры, как показано на рисунке.

**ВНИМАНИЕ!**

Не позволяйте детям залезать внутрь холодильника, поскольку они могут нанести себе травму или повредить прибор. Не садитесь на дверцу морозильной камеры. Дверца может треснуть. Не разрешайте детям залезать в корзину морозильной камеры. Если вы извлекли разделитель из корзины морозильной камеры для ее очистки, необходимо установить его на место после завершения очистки, чтобы дети не смогли залезть в корзину.

## 7.9 Лоток для льда с механизмом извлечения

- Лоток для льда с механизмом извлечения располагается в верхнем ящике морозильной камеры и предназначен для замораживания воды и хранения льда.
  1. Наполните питьевой водой до отметки максимального уровня.
  2. Установите лоток на место в скобу крепления.
  3. Подождите примерно 3 часа, чтобы вода замерзла, затем поверните ручки по часовой стрелке и кубики льда упадут в расположенный ниже контейнер.



4. Данный контейнер предназначен также и для хранения льда. При необходимости его можно вынуть, чтобы достать нужное количество кубиков льда.

**Примечание.** Новый или давно не использовавшийся лоток для льда необходимо сначала промыть.





## 8. ПОЛЕЗНЫЕ УКАЗАНИЯ И РЕКОМЕНДАЦИИ

### 8.1 Рекомендации по экономии электроэнергии

Рекомендуем воспользоваться приведенными ниже советами, которые позволят вам сократить потребление электроэнергии.

- В целях экономии электроэнергии старайтесь не оставлять дверцу открытой надолго.
- Не устанавливайте прибор вблизи источников тепла (в месте, где на него может падать прямой солнечный свет, рядом с электрической или газовой плитой).
- Не устанавливайте слишком низкую температуру.
- Не помещайте в холодильник теплые продукты или испаряющиеся жидкости.
- Холодильник следует устанавливать в хорошо вентилируемом сухом помещении. См. главу "Установка нового прибора".
- На рисунке 1 в разделе "Описание прибора" показано правильное расположение разнообразных ящиков, ящика для фруктов и овощей, а также полок внутри холодильника. Не меняйте их положение, поскольку такая схема является наиболее энергоэффективной.

#### Рекомендации по охлаждению продуктов

- Не помещайте в холодильное отделение или морозильную камеру горячие продукты, поскольку это приведет к повышению температуры внутри прибора. В результате компрессор начнет работать интенсивнее, что, в свою очередь, приведет к увеличению энергопотребления.
- Накрывайте или заворачивайте продукты, особенно сильно пахнущую пищу.
- Располагайте продукты таким образом, чтобы вокруг них мог свободно циркулировать воздух.

#### Рекомендации по охлаждению

- Мясо (всех типов): помещайте в полиэтиленовые пакеты и кладите на стеклянную полку, расположенную над ящиком для овощей. Всегда следите за сроком хранения продуктов и используйте их до истечения срока годности, указанного производителем.
- Продукты, подвергшиеся тепловой обработке, холодные блюда и т. п.: необходимо накрыть, их можно положить на любую полку.
- Фрукты и овощи: следует хранить в специальном контейнере.
- Сливочное масло и сыр: необходимо завернуть в фольгу или полиэтиленовую пленку.
- Бутылки с молоком: должны быть закрыты крышкой и храниться на полках дверцы.

### 8.2 Рекомендации по замораживанию

- При первом включении холодильника или после продолжительного периода, в течение которого он не использовался, дайте холодильнику поработать не менее 2 часов в режиме более низкой температуры.
- Перед замораживанием разделите продукты на маленькие порции для того, чтобы быстро и полностью их заморозить, а также чтобы иметь возможность размораживать только нужное количество продуктов.
- Плотно заверните продукты в алюминиевую фольгу или в полиэтиленовую пленку.
- Не допускайте, чтобы свежие незамороженные продукты касались замороженных (во избежание повышения температуры последних).
- Употребление в пищу замороженных продуктов сразу после их извлечения из морозильной камеры может привести к холодовым травмам.

- Рекомендуется наклеить этикетку с датой замораживания на каждый продукт для отслеживания времени хранения.

#### Рекомендации по хранению замороженных продуктов

- Замороженные продукты должны храниться в соответствии с указаниями производителя.
- После размораживания продукты достаточно быстро портятся. Кроме того, они не должны подвергаться повторному замораживанию. Не превышайте время хранения, указанное изготовителем продуктов.

## 8.3 Выключение прибора

Если требуется выключить прибор на длительное время, во избежание образования плесени необходимо сделать следующее.

1. Выньте из холодильника все продукты.
2. Выньте вилку из сетевой розетки.
3. Тщательно очистите и протрите холодильник изнутри.
4. Зафиксируйте все дверцы в приоткрытом положении, чтобы обеспечить циркуляцию воздуха.

## 9. Очистка и уход

В целях гигиены необходимо регулярно (не реже, чем раз в два месяца) проводить очистку внешних и внутренних поверхностей холодильника, а также дополнительных принадлежностей.



#### ВНИМАНИЕ!

Во время процедуры очистки прибор должен быть отключен от сети электропитания. Несоблюдение этого требования может привести к поражению электрическим током! Перед выполнением очистки выключите прибор и отключите его от электросети.

### 9.1 Очистка внешних поверхностей прибора

Для сохранения хорошего внешнего вида прибора необходима регулярная чистка.

- Протрите цифровую панель и дисплей панели управления чистой мягкой тканью.
- Для очистки корпуса прибора используйте смоченную в воде ткань, не распыляйте воду непосредственно на поверхность прибора. Это обеспечивает более равномерную очистку всех поверхностей прибора.

- Для очистки дверец, ручек и стенок корпуса используйте мягкое моющее средство. После очистки прибор следует протереть мягкой тканью.



#### ВНИМАНИЕ!

- Не пользуйтесь острыми предметами, так как они могут поцарапать поверхность.
- Не используйте для чистки растворители для краски, средство для мытья автомобиля, отбеливатель тканей, эфирное масло, абразивные чистящие средства или органические растворители, например бензол. Они могут повредить поверхности прибора и привести к возгоранию.

### 9.2 Очистка внутренних поверхностей прибора

- Очистку внутренних поверхностей прибора следует проводить регулярно. Лучше всего это делать, когда в холодильнике хранится мало продуктов. Протрите внутреннюю поверхность морозильной камеры тканью, смоченной в слабом растворе соды, а затем протрите

губкой или тканью, смоченной в теплой воде. Протрите насухо перед установкой на место полки и корзины. Тщательно просушите все поверхности и съемные детали.

- Несмотря на то, что холодильник оснащен функцией автоматического размораживания, на стенках морозильной камеры может образовываться наледь, если дверца камеры открывается слишком часто или долго остается открытой. Если слой наледи слишком толстый, выполните описанную ниже процедуру, когда в морозильной камере будет мало продуктов.
  1. Выньте продукты и корзины, отключите прибор от электросети и оставьте дверцу открытой. Тщательно проветрите помещение, чтобы ускорить процесс размораживания.
  2. После завершения размораживания очистите морозильную камеру, следуя приведенным выше указаниям.



#### **ВНИМАНИЕ!**

Не пользуйтесь острыми предметами для удаления наледи с поверхностей морозильной камеры. Убедитесь, что внутренние поверхности камеры полностью высохли, подключите прибор к электросети и включите питание.

## 9.3 Очистка уплотнителя дверцы

Следите за чистотой уплотнителя дверцы. Липкие продукты и напитки, попавшие на уплотнитель, могут привести к прилипанию уплотнителя к корпусу холодильника; при этом возможно повреждение уплотнителей во время открывания дверцы. Помойте уплотнитель теплой водой с мягким чистящим средством. Ополосните чистой водой и вытрите насухо.



#### **ВНИМАНИЕ!**

Прибор можно включать только после полного высыхания уплотнителей.



#### **ПРЕДУПРЕЖДЕНИЕ!**

Замена элементов светодиодного освещения не должна осуществляться пользователем! В случае неисправности в работе системы светодиодного освещения обратитесь в службу поддержки клиентов для получения соответствующих рекомендаций.

## 10. ПОИСК И УСТРАНЕНИЕ НЕИСПРАВНОСТЕЙ

Если вы столкнулись с какой-либо проблемой в процессе эксплуатации прибора или считаете, что прибор не функционирует должным образом, можно сделать несколько несложных проверок, прежде чем обращаться в сервисный центр. Перед тем как обращаться в сервисный центр, проверьте, нельзя ли устранить неисправность описанными ниже способами.



#### **ПРЕДУПРЕЖДЕНИЕ!**

Ни при каких обстоятельствах не пытайтесь отремонтировать прибор самостоятельно. Если после выполнения указанных ниже проверок проблема не устранена, обратитесь к квалифицированному электрику, специалисту авторизованного сервисного центра или в магазин, где был приобретен этот прибор.

Неисправность	Возможная причина и способ устранения
Прибор не работает должным образом	<p>Убедитесь, что сетевой кабель подключен к розетке электросети надлежащим образом.</p> <p>Проверьте предохранитель или автоматический выключатель электросети. При необходимости замените предохранитель или включите автоматический выключатель, если он сработал.</p> <p>Вентилятор морозильной камеры не работает в течение цикла автоматического размораживания или непродолжительное время после включения холодильника для защиты компрессора — это нормальное явление.</p>
В отделениях холодильника присутствует нежелательный запах	<p>Возможно, необходимо провести очистку внутренних поверхностей холодильника.</p> <p>Запах может исходить от определенных продуктов, контейнеров или упаковки.</p>
Прибор издает шум	<p>При нормальной работе холодильника могут возникнуть следующие шумы и звуки:</p> <ul style="list-style-type: none"> <li>• шум работы компрессора;</li> <li>• шум, вызванный потоком воздуха в морозильной камере или других отделениях холодильника (небольшой вентиляторный электродвигатель осуществляет циркуляцию воздуха);</li> <li>• бульканье, похожее на звук кипящей воды;</li> <li>• потрескивание во время автоматического размораживания;</li> <li>• пощелкивание перед запуском компрессора.</li> </ul> <p>Причины появления других необычных шумов перечислены ниже. Эти звуки могут указывать на необходимость проведения определенной проверки и выполнения соответствующих мер.</p> <p>Холодильник не выровнен.</p> <p>Задняя стенка холодильника соприкасается со стеной.</p> <p>Бутылки или контейнеры упали или перекатываются внутри холодильника.</p>
Постоянно работает двигатель	<p>В следующих ситуациях двигатель работает дольше, поэтому соответствующий звук раздается чаще.</p> <ul style="list-style-type: none"> <li>• Установлена слишком низкая температура.</li> <li>• В холодильник недавно поместили слишком много теплых продуктов.</li> <li>• Температура окружающего воздуха слишком высокая.</li> <li>• Дверцы остаются открытыми слишком долго.</li> <li>• После установки прибора или длительного простоя в выключенном состоянии.</li> </ul>



## 11. УТИЛИЗАЦИЯ ПРИБОРА

При производстве данного холодильника использовались материалы многократного применения. Утилизация данного прибора должна осуществляться в соответствии с правилами местного законодательства по утилизации отходов. В холодильном контуре прибора содержится небольшое количество хладагента (R600a). В целях обеспечения личной безопасности ознакомьтесь с информацией, приведенной в разделе

"Хладагент и риск возгорания" данного руководства по эксплуатации, перед утилизацией прибора. Обрежьте кабель питания прибора, чтобы вывести его из строя, снимите уплотнитель дверцы и замок. Система охлаждения требует осторожного обращения: старайтесь не нарушать целостность контейнера хладагента, не сгибать трубки и не повреждать покрытие, нанесенного на поверхность системы.

### Правильная утилизация изделия



Данный символ на приборе или упаковке указывает на то, что прибор нельзя утилизировать вместе с бытовыми отходами. Вместо этого, его следует сдавать в соответствующий пункт приема электрического и электронного оборудования для последующей утилизации. Обеспечив правильную утилизацию данного изделия, вы сможете предотвратить потенциальные негативные последствия для окружающей среды и здоровья человека, которые возможны при неправильной утилизации. Более подробную информацию о повторной переработке данного прибора вы можете получить в местных органах власти, службе по вывозу и утилизации отходов или в магазине, где было приобретено изделие.

## 12. ТЕХНИЧЕСКИЕ ДАННЫЕ

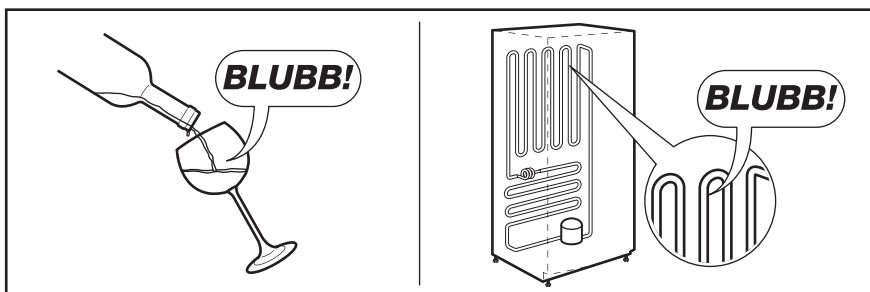
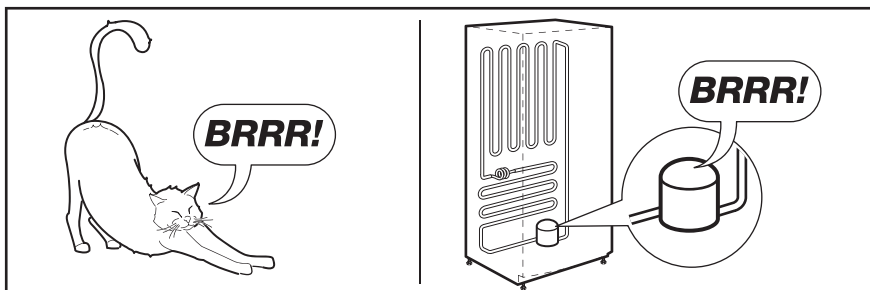
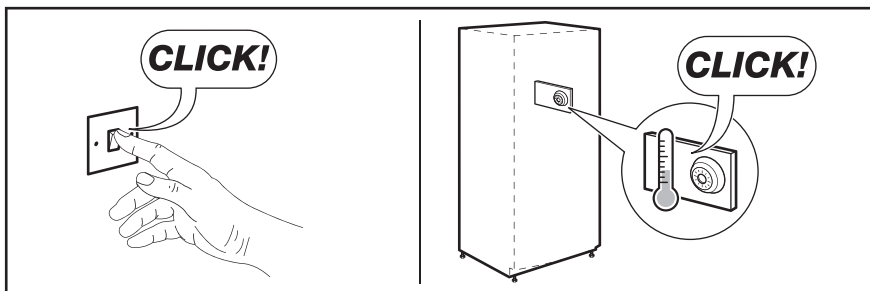
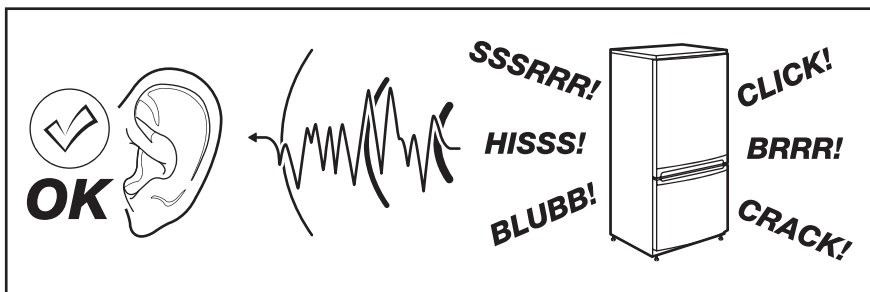
Габариты	
Высота	1766 мм
Ширина	912 мм
Глубина	765 мм
Время повышения температуры	12 ч
Напряжение	220-240 В
Частота	50 Гц

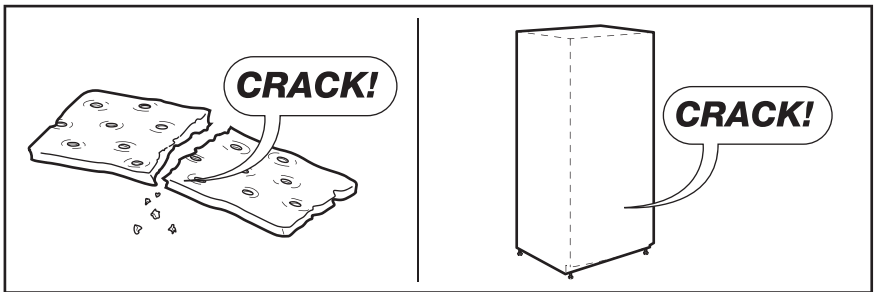
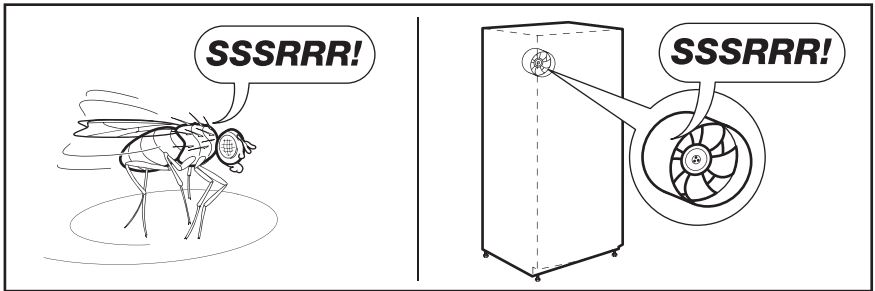
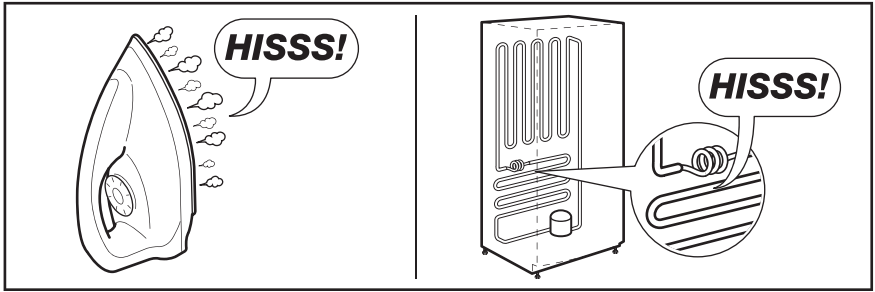
Технические данные указаны на табличке с техническими данными на левой стенке внутри прибора и на табличке энергопотребления.



### 13. ШУМЫ ПРИ РАБОТЕ

При нормальных условиях работы слышны некоторые звуки (работы компрессора, циркуляции хладагента).





Дата производства данного изделия указана в серийном номере (serial number), где первая цифра номера соответствует последней цифре года производства, вторая и третья цифры – порядковому номеру недели. Например, серийный номер 43012345 означает, что изделие произведено на тридцатой неделе 2014 года.

Хайсенс Рошен Рефрижератор Ко., ЛТД

№.8 Ронганг Род, Ронгуй, Шунде, Фошан, Гуандонг, ПР Китай





# ÍNDICE

1. INFORMACIÓN SOBRE SEGURIDAD.....	227
2. INSTRUCCIONES DE SEGURIDAD .....	228
3. ASPECTOS MEDIOAMBIENTALES .....	230
4. DESCRIPCIÓN DEL APARATO .....	230
5. INSTALACIÓN DEL NUEVO APARATO.....	232
6. CONTROLES DE LA PANTALLA.....	234
7. USO DEL APARATO .....	236
8. CONSEJOS ÚTILES .....	240
9. LIMPIEZA Y CUIDADOS.....	241
10. SOLUCIÓN DE PROBLEMAS .....	243
11. DESECHO DEL APARATO .....	244
12. DATOS TÉCNICOS.....	245
13. RUIDOS .....	245

## PARA UNOS RESULTADOS PERFECTOS

Gracias por elegir este producto Electrolux. Este aparato se ha creado para ofrecer un rendimiento impecable y duradero a lo largo de los años, con innovadoras tecnologías que facilitarán su vida y prestaciones que probablemente no encuentre en electrodomésticos corrientes. Dedique unos minutos a leer cómo puede obtener el máximo provecho de su aparato.

**Visite nuestro sitio web para:**



Obtener consejos, folletos, soluciones a problemas e información de servicio:  
**[www.electrolux.com](http://www.electrolux.com)**



Registrar su producto para recibir un mejor servicio:  
**[www.electrolux.com/productregistration](http://www.electrolux.com/productregistration)**




Adquirir accesorios, consumibles y recambios originales para su aparato:  
**[www.electrolux.com/shop](http://www.electrolux.com/shop)**

## ATENCIÓN Y SERVICIO AL CLIENTE

Utilice únicamente piezas de recambio originales.

Al contactar con nuestro centro de servicio autorizado, asegúrese de tener la siguiente información a mano: modelo, código de número de producto y número de serie.

La información se puede encontrar en la placa de características.

 Advertencia / Precaución. Información sobre seguridad.

 Información general y consejos.

 Información medioambiental.

Este documento está sujeto a cambios sin previo aviso.



# 1. INFORMACIÓN SOBRE SEGURIDAD

Antes de instalar y utilizar este aparato, lea cuidadosamente las instrucciones que se proporcionan. El fabricante no se hace responsable de los daños y lesiones causados por una instalación y uso incorrectos. Conserve estas instrucciones junto con el aparato para futuras consultas.

## 1.1 Seguridad de niños y personas vulnerables

- Este electrodoméstico puede ser utilizado por niños de 8 años en adelante y personas cuyas capacidades físicas, sensoriales o mentales estén disminuidas o que carezcan de la experiencia y conocimientos suficientes para manejarlo, siempre que cuenten con las instrucciones o la supervisión sobre el uso del electrodoméstico de forma segura y comprendan los riesgos.
- No deje que los niños jueguen con este aparato electrodoméstico.
- Evite que los niños lleven a cabo la limpieza y el mantenimiento de la unidad sin la supervisión adecuada.
- Mantenga los materiales de embalaje alejados de los niños.

## 1.2 Instrucciones generales de seguridad

- Este aparato está diseñado exclusivamente para uso doméstico y aplicaciones similares, como por ejemplo:
  - Granjas; áreas de cocina para el personal en tiendas, oficinas y otros entornos de trabajo.
  - Por clientes de hoteles, moteles, hostales o pensiones y otros entornos de tipo residencial.
- No obstruya las aberturas de ventilación del alojamiento del aparato ni de la estructura empotrada.
- No utilice dispositivos mecánicos ni otros medios para acelerar el proceso de descongelación, salvo aquellos que recomiende el fabricante.
- No dañe el circuito del refrigerante.
- No utilice aparatos eléctricos dentro de los compartimentos para alimentos en el electrodoméstico, a menos que sean del tipo recomendado por el fabricante.
- No utilice pulverizadores de agua ni vapor para limpiar el electrodoméstico.

- Limpie el aparato con un paño húmedo y suave. Utilice solo detergentes neutros. No utilice productos abrasivos, estropajos duros, disolventes ni objetos metálicos.
- No guarde en este aparato sustancias explosivas como latas de aerosol con propulsor inflamable.
- Si el cable eléctrico sufre algún daño, el fabricante, su servicio técnico o un profesional tendrán que cambiarlo para evitar riesgos.
- Si el aparato está equipado con sistema de fabricación de hielo o dispensador de agua, rellénelos con agua potable exclusivamente.
- Si el aparato requiere una conexión de agua, conéctelo a una toma de agua potable exclusivamente.
- La presión de la entrada de agua (mínima y máxima) debe oscilar entre 1 bar (0,1 MPa) y 10 bares (1 MPa).

## 2. INSTRUCCIONES DE SEGURIDAD

### 2.1 Instalación



#### ADVERTENCIA

La instalación de este aparato debe realizarla únicamente una persona cualificada.

- Retire todo el material de embalaje.
- No instale ni utilice un aparato dañado.
- Siga las instrucciones de instalación proporcionadas con el aparato.
- Tenga siempre cuidado al mover este electrodoméstico, porque es pesado. Utilice siempre guantes de protección.
- Asegúrese de contar con una buena circulación de aire alrededor del aparato.
- Espere al menos 4 horas antes de conectar el aparato a la alimentación eléctrica. Es necesario esperar para permitir que el aceite vuelva al compresor.
- No instale el aparato cerca de radiadores, cocinas, hornos o placas.
- La parte posterior del aparato debe colocarse contra la pared.
- No instale el aparato donde reciba luz solar directa.
- No instale este aparato en áreas demasiado húmedas o demasiado frías, como anexos, cocheras o bodegas.

- Cuando mueva el aparato, levántelo por el borde delantero para evitar que raye el suelo.

### 2.2 Conexión eléctrica



#### ADVERTENCIA

Existe riesgo de incendio y descargas eléctricas.

- El aparato debe tener conexión a tierra.
- Asegúrese de que las especificaciones eléctricas de la placa de características coinciden con las del suministro eléctrico. En caso contrario, póngase en contacto con un electricista.
- Utilice siempre una toma de corriente con aislamiento de conexión a tierra.
- No utilice adaptadores con varios enchufes ni cables de extensión.
- Asegúrese de no causar daños a los componentes eléctricos (como el enchufe, el cable de corriente y el compresor). Póngase en contacto con un electricista o con el servicio técnico para cambiar un cable dañado.

- El cable de corriente debe mantenerse por debajo del nivel del enchufe. Conecte el enchufe a la toma de corriente únicamente cuando haya terminado la instalación. Asegúrese de tener acceso al enchufe del suministro de red una vez finalizada la instalación.  
No tire del cable de corriente para desconectar el aparato. Para desconectarlo, tire siempre del enchufe.

### 2.3 Uso



#### ADVERTENCIA

Existe riesgo de lesiones, quemaduras, descargas eléctricas o incendios.

- No modifique las especificaciones de este aparato.
- No ponga aparatos eléctricos (como máquinas para hacer helados) dentro del aparato, a menos que el fabricante indique que puede hacerlo.
- Tenga cuidado de no provocar daños al circuito del refrigerante. Contiene isobutano (R600a), un gas natural con un alto nivel de compatibilidad medioambiental. Este gas es inflamable.
- Si el circuito del refrigerante se daña, asegúrese de que no existan fuentes de ignición ni llamas en la habitación. Ventile la habitación.
- No coloque recipientes calientes sobre las piezas plásticas del aparato.
- No coloque bebidas con gas en el congelador. Se creará presión en el recipiente de la bebida.
- No almacene gases ni líquidos inflamables en el aparato.
- No coloque productos inflamables ni objetos mojados con productos inflamables en el interior del aparato, ni tampoco cerca o encima de él.
- No toque el compresor ni el condensador. Están muy calientes.
- No retire ni toque elementos del compartimento congelador con las manos húmedas o mojadas.
- No vuelva a congelar alimentos que se hayan descongelado.
- Siga las instrucciones del envase de los alimentos congelados.

### 2.4 Luz interna

- La bombilla de este aparato no es apta para iluminar la casa.

### 2.5 Mantenimiento y limpieza



#### ADVERTENCIA

Existe riesgo de que se produzcan lesiones o daños en el aparato.

- Antes de proceder con el mantenimiento, apague el aparato y desenchúfelo de la toma de corriente.
- Este equipo contiene hidrocarburos en la unidad de refrigeración. El mantenimiento y la recarga de la unidad deberán depender exclusivamente de personal cualificado.
- Examine con regularidad el desagüe del aparato y, en caso necesario, límpielo. Si el desagüe se bloquea, el agua de la descongelación se acumulará en la base del aparato.

### 2.6 Desecho del aparato





#### ADVERTENCIA

Existe riesgo de lesión o asfixia.

- Desconecte el aparato de la toma de corriente.
- Corte el cable de corriente y deséchelo.
- Retire la puerta para evitar que niños y animales se queden atrapados en el interior del aparato.
- El circuito del refrigerante y los materiales aislantes de este aparato no dañan la capa de ozono.
- La espuma aislante contiene gas inflamable. Póngase en contacto con las autoridades locales para obtener información acerca de cómo desechar el aparato de manera correcta.
- No dañe la parte de la unidad refrigerante que está cerca del intercambiador de calor.

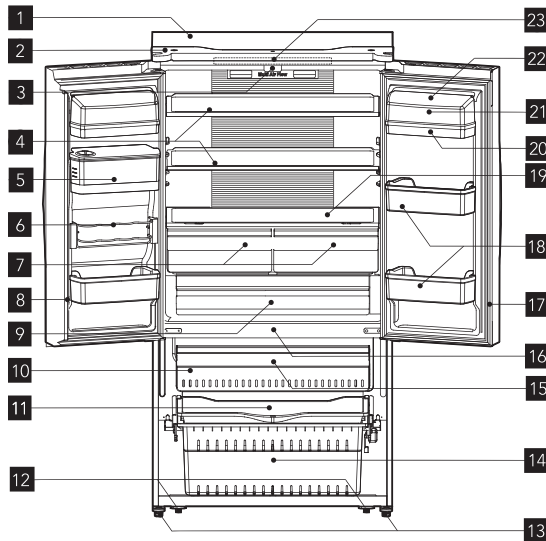
### 3. ASPECTOS MEDIOAMBIENTALES

Recicle los materiales con el símbolo . Coloque el material de embalaje en los contenedores adecuados para reciclarlo. Ayude a proteger el medio ambiente y la salud pública, así como a reciclar residuos de aparatos eléctricos y electrónicos.

No deseche los aparatos marcados con el símbolo  junto con los residuos domésticos. Lleve el producto a su centro de reciclaje local o póngase en contacto con su oficina municipal.

### 4. DESCRIPCIÓN DEL APARATO

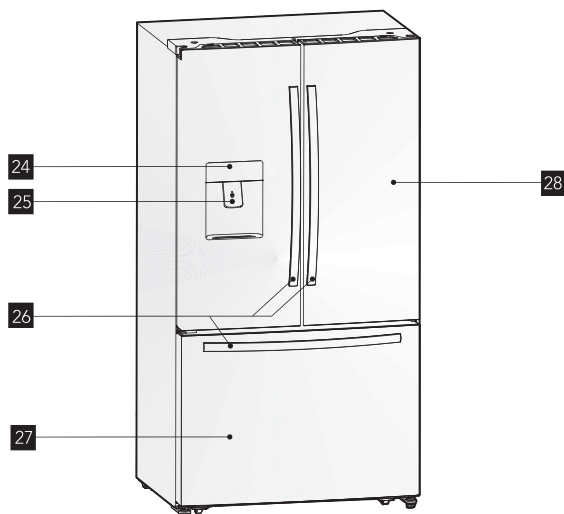
#### 4.1 Vista 1 del aparato



- |  |  |
|--|--|
| <b>1</b> Cámara                                  | <b>13</b> Patas ajustables inferiores              |
| <b>2</b> Cubierta superior                       | <b>14</b> Cajón congelador inferior                |
| <b>3</b> Bloque guía de deflector vertical       | <b>15</b> Cajón congelador superior                |
| <b>4</b> Estante de cristal                      | <b>16</b> Indicador LED del congelador (interior)  |
| <b>5</b> Compartimento de almacenamiento de agua | <b>17</b> Junta de la puerta del frigorífico       |
| <b>6</b> Soporte para latas flexible             | <b>18</b> Soporte inferior                         |
| <b>7</b> Conservador de fruta y verdura          | <b>19</b> Tapa del cajón de frutas y verduras      |
| <b>8</b> Pieza de deflector vertical             | <b>20</b> Soporte superior                         |
| <b>9</b> Cajón de temperatura variable           | <b>21</b> Bandeja para huevos (interior)           |
| <b>10</b> Bandeja de hielo giratoria (interior)  | <b>22</b> Cubierta del soporte                     |
| <b>11</b> Bandeja de servicio                    | <b>23</b> Indicador LED del frigorífico (interior) |
| <b>12</b> Ruedas                                 |  |



## 4.2 Vista 2 del aparato



**24** Pantalla

**25** Dispensador de agua fría

**26** Tiradores

**27** Puerta del congelador

**28** Puerta del frigorífico

**Nota:** Debido a las constantes mejoras de nuestros productos, es posible que su frigorífico sea ligeramente distinto al que se muestra en la ilustración. Sin embargo, su funcionamiento y métodos de uso son los mismos.

**Nota:** Para aprovechar al máximo la eficiencia energética de este producto, coloque todos los estantes, cajones y cestos en su posición original como se indica en la ilustración.



Este aparato está autorizado para su venta en Francia. De conformidad con la normativa válida en dicho país, deberá ir provisto de un dispositivo especial (consulte la figura) situado en el compartimento inferior del frigorífico para indicar la zona más fría del mismo.

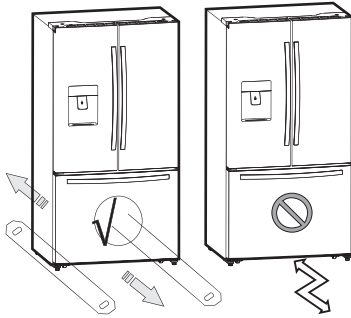
## 5. INSTALACIÓN DEL NUEVO APARATO

En esta sección, se explica la instalación del nuevo aparato antes de usarlo por primera vez. Le recomendamos que lea los siguientes consejos.



### ADVERTENCIA

Para su correcta instalación, este frigorífico debe colocarse sobre una superficie nivelada de material sólido que esté a la misma altura que el resto del suelo. Esta superficie debe ser lo suficientemente fuerte como para soportar un frigorífico totalmente cargado o un peso aproximado de 120 kg (266 lbs). Cuando la mueva, asegúrese de sacar y volver a colocar la unidad en línea recta. consejos.

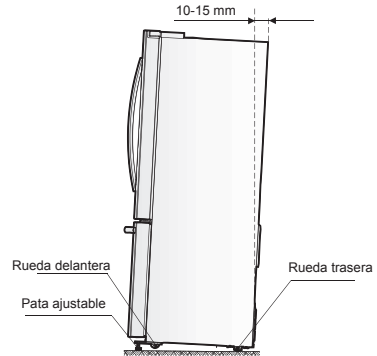


Clase	Símbolo	Rango de temperatura ambiente (°C)
Templado aumentado	SN	+10 a +32
Templado	N	+16 a +32
Subtropical	ST	+16 a +38
Tropical	T	+16 a +43

### 5.1 Nivelación del aparato

Para nivelarlo de forma correcta y evitar vibraciones, este aparato está provisto de patas ajustables en la parte delantera. Siga las instrucciones que se muestran a continuación para nivelarlo:

1. Haga rodar el frigorífico hasta su ubicación.
2. Gire las patas ajustables (manualmente o con una llave adecuada) hasta que toquen el suelo.
3. Incline la parte superior hacia atrás unos 10-15 mm girando las patas aproximadamente una o dos vueltas. Esto hará que las puertas se cierren y se sellen correctamente.
4. Cuando desee mover el aparato, recuerde volver a girar las patas de modo que el aparato pueda rodar libremente. Vuelva a instalar el aparato cuando lo traslade.



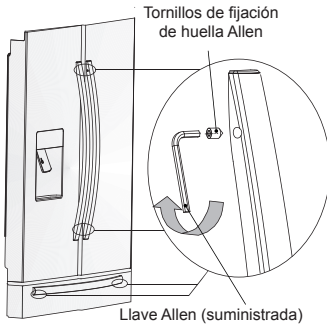
### ADVERTENCIA

Las ruedas no son giratorias y solo deben emplearse para movimientos hacia delante y hacia atrás. Mover el refrigerador de forma lateral puede dañar las ruedas y el suelo.



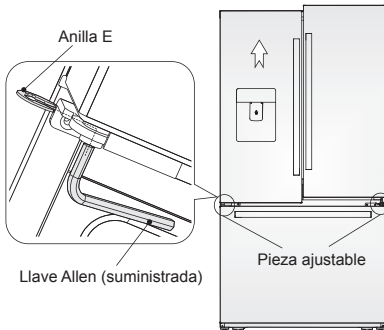
## 5.2 Ajuste del tirador de la puerta

Antes de utilizar el frigorífico, revise los tiradores. Si están sueltos, ajústelos con una llave Allen en el sentido de las agujas del reloj hasta que queden firmes. Cada uno de los tiradores está fijado con dos tornillos.



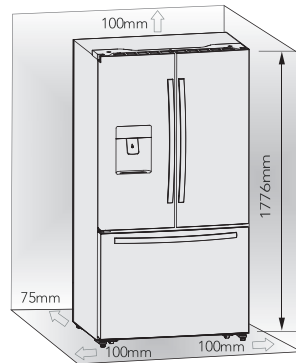
## 5.3 Ajuste de las puertas

- Tanto la puerta izquierda como la derecha cuentan con ejes ajustables, ubicados en las bisagras inferiores.
- Antes de ajustar las puertas, asegúrese de que el frigorífico está nivelado. Revise la sección anterior sobre nivelación del aparato. Si la parte superior de las puertas está desnivelada, introduzca la llave Allen en el eje de la bisagra y gírela en el sentido de las agujas del reloj para elevar la puerta o al contrario para bajarla. A continuación, introduzca una anilla E en el hueco.

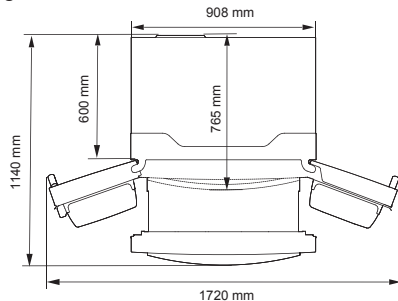


## 5.4 Ventilación del aparato

Para mejorar la eficiencia del sistema de refrigeración y el ahorro de energía, es necesario mantener una correcta ventilación alrededor del aparato que promueva la disipación del calor. Por esta razón, debe haber suficiente espacio alrededor del frigorífico y la zona debe estar libre de cualquier obstrucción que afecte a la circulación del aire.



**Sugerencia:** Para garantizar el correcto funcionamiento del aparato, mantenga las distancias que se muestran en el gráfico anterior.



## 6. CONTROLES DE LA PANTALLA

Todos los controles y funciones de la unidad son accesibles desde el panel de control situado en la puerta del frigorífico. El teclado de botones táctiles y la pantalla digital permiten una configuración sencilla e intuitiva de las funciones y los ajustes.

**Importante:** Al utilizar los botones táctiles, solo se requiere una breve pulsación. La operación se produce cuando se deja de pulsar el botón, no mientras se pulsa. No es necesario aplicar presión sobre el teclado. La función "Child Lock" (Bloqueo de seguridad para niños) relacionada con el botón "Alarm" (Alarma)

requiere una pulsación prolongada de al menos tres segundos. Consulte las secciones del manual relacionadas para obtener instrucciones detalladas. El panel de control se compone de dos zonas de indicación de temperatura, cinco iconos que representan los distintos modos y seis botones táctiles. Cuando el aparato se enciende por primera vez, se activa la retroiluminación de los iconos de la pantalla. Si no se pulsa ningún botón y las puertas permanecen cerradas, la retroiluminación se desactivará pasados 60 segundos.



### Control de la temperatura

Recomendamos que cuando inicie el frigorífico por primera vez, configure la temperatura del frigorífico a 5 °C y la del congelador a -18 °C. Si desea cambiar la temperatura, siga las instrucciones que se detallan a continuación.



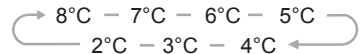
#### PRECAUCIÓN

Quando se establece una temperatura, esta temperatura es el promedio de toda la cámara. Las temperaturas del interior de cada compartimento pueden ser distintas a los valores mostrados en la pantalla en función de la cantidad de alimentos que almacene y de dónde los coloque. La temperatura ambiente también puede afectar a la temperatura real del interior del aparato.

### 6.1 Frigorífico

Pulse el botón "Fridge" (Frigorífico) repetidamente para establecer la temperatura deseada del frigorífico entre 8 °C y 2 °C; la temperatura disminuirá 1 °C con cada pulsación y el indicador de temperatura

mostrará el valor correspondiente de acuerdo con la siguiente secuencia.



### 6.2 "Fast Cool" (Enfriamiento rápido)



Si necesita introducir una gran cantidad de alimentos a temperatura ambiente, por ejemplo después de hacer la compra, se aconseja activar esta función para enfriarlos más rápidamente y evitar que aumente la temperatura de los que ya están almacenados.

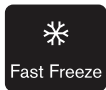
- Pulse "Fast Cool" (Enfriamiento rápido) para activar esta función. Se iluminará el icono de enfriamiento súper y el indicador de temperatura del frigorífico mostrará 2 °C.
- El icono de enfriamiento súper se apaga automáticamente después de 6 horas.
- Pulse "Fast Cool" (Enfriamiento rápido) o "Fridge" (Frigorífico) para cancelar el modo de enfriamiento súper y volver a la configuración de temperatura anterior.

### 6.3 Congelador

Pulse el botón "Freezer" (Congelador) para establecer la temperatura del congelador entre -14 °C y -24 °C y que se adapte a la temperatura deseada. El indicador de temperatura del congelador mostrará el valor correspondiente de acuerdo con la siguiente secuencia.



### 6.4 "Fast Freeze" (Congelación rápida)



La función de supercongelación puede disminuir rápidamente la temperatura de congelación y congelar los alimentos con mayor rapidez.

- Pulse el botón "Fast Freeze" (Congelación rápida) para activar la función de supercongelación. Se iluminará el icono de supercongelación y el indicador de temperatura del frigorífico mostrará -24 °C.
- La primera vez que se utilice, o después de un período de inactividad, deje pasar 6 horas de funcionamiento normal antes de utilizar el modo de supercongelación. Esto es especialmente importante si se coloca una gran cantidad de alimentos en el congelador.
- El icono de supercongelación se apaga automáticamente después de 26 horas de uso y la temperatura de congelación se mantiene por debajo de -20 °C.
- Pulse "Fast Freeze" (Congelación rápida) o "Freezer" (Congelador) para cancelar el modo de supercongelación y volver a la configuración de temperatura anterior.

**Nota:** Al seleccionar la función de supercongelación, asegúrese de que no hay bebidas embotelladas o en lata (especialmente bebidas gaseosas) en el compartimento del congelador. Las botellas y las latas pueden explotar.

### 6.5 Holiday



Esta función está diseñada para minimizar el consumo de energía y electricidad si el frigorífico no se utiliza durante un largo período de tiempo.

Puede activar esta función pulsando brevemente el botón "Holiday" hasta que se ilumina el icono de vacaciones.

**Importante** No introduzca alimentos en el congelador durante este periodo.

- Cuando la función de vacaciones está activada, la temperatura del frigorífico cambia automáticamente a 15 °C para reducir al mínimo el consumo de energía. El indicador de temperatura del frigorífico muestra "-" y el compartimento del congelador permanece encendido.
- Pulse el botón "Holiday" (Vacaciones) para cancelar el modo vacaciones y volver a la configuración de temperatura anterior.

### 6.6 "Alarm" (Alarma)



En caso de alarma, se iluminará el icono de alarma y el frigorífico comenzará a emitir una señal acústica. Pulse el botón "Alarm"

(Alarma) para detener la señal acústica y apagar el icono de alarma.



**PRECAUCIÓN**

Cuando el refrigerador se enciende después de un periodo de inactividad, es posible que se active la alarma. En ese caso, pulse el botón "Alarm" (Alarma) para anularla.

### Alarma de las puertas

El icono y la señal acústica de alarma indican situaciones anormales, como el haber dejado una puerta abierta accidentalmente o la interrupción del suministro eléctrico a la unidad.

- Si se deja abierta alguna puerta, del frigorífico o del congelador, durante más de dos minutos, se activarán la alarma y la señal acústica. La señal acústica se repetirá tres veces cada minuto durante 10 minutos. Al cerrar la puerta se anularán la alarma y la señal acústica.

- Para ahorrar energía, evite mantener las puertas abiertas durante un periodo prolongado cuando utilice el frigorífico. La alarma de la puerta también puede anularse cerrando las puertas.

## Alarma de temperatura

Esta es una función importante que alerta a los usuarios de la posibilidad de que se estropeen los alimentos almacenados. Si se produce un fallo de suministro eléctrico, como un apagón en su zona residencial, mientras no está en casa, la alarma de temperatura memorizará la temperatura del congelador en el momento en que la unidad vuelva a recibir suministro, ya que probablemente sea la temperatura más elevada que hayan alcanzado los alimentos congelados.

La alarma de temperatura se indicará tanto en la pantalla como en forma de señal acústica cuando la lectura sea superior a  $-9^{\circ}\text{C}$ . A continuación:

- a- Se ilumina el icono de alarma;
- b- El indicador de temperatura del congelador muestra "H";
- c- La señal acústica se repetirá 10 veces cuando se active la alarma y se detendrá automáticamente.

## "Child Lock" (Bloqueo de seguridad para niños)



Child Lock

Mantenga pulsado el botón "Alarm" (Alarma) durante tres segundos para activar el bloqueo.

Esto desactivará la pantalla para evitar cambios accidentales en la configuración. Mientras tanto, se iluminará el icono de bloqueo de seguridad para niños.

- Para desactivar el bloqueo, vuelva a mantener pulsado el botón "Alarm" (Alarma) durante tres segundos. El icono de bloqueo de seguridad para niños se apagará.

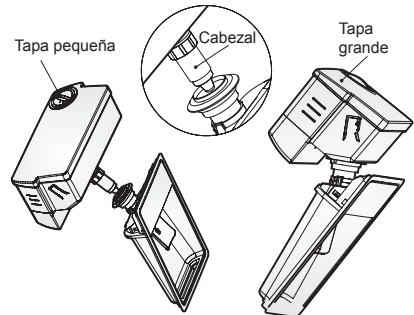
# 7. USO DEL APARATO

## 7.1 Dispensador de agua fría

El dispensador de agua fría, ubicado en la puerta izquierda del frigorífico, se utiliza para almacenar agua potable. Esta función permite dispensar agua fría fácilmente sin necesidad de abrir la puerta.

- Limpieza  
Limpie el dispensador de agua antes de usarlo por primera vez.  
Paso 1: saque el dispensador de agua;  
Paso 2: lávelo con agua limpia;  
Paso 3: séquelo;
- Montaje  
Para volver a montar el dispensador, consulte las siguientes instrucciones.
  1. Sujete con firmeza ambos lados del depósito de agua y, a continuación, levántelo y colóquelo fuera de la puerta.
  2. Afloje el cabezal en sentido contrario a las agujas del reloj.

3. Vuelva a insertarlo en la puerta y presione hasta que oiga un clic.





**ADVERTENCIA**

Cuando introduzca el depósito de agua, asegúrese de que el cabezal encaja correctamente en el orificio.

**Llenado de agua**

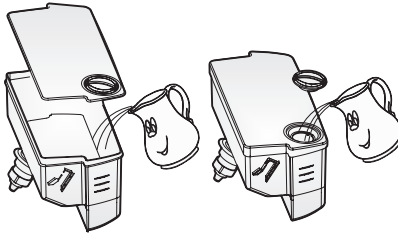
Antes de rellenar el depósito del agua, asegúrese de que ha encajado firmemente en su posición. Para evitar que el agua se derrame, llene el depósito por debajo de la marca de nivel máximo, que corresponde aproximadamente a 4 l. El depósito de agua puede llenarse de dos modos:

1. Retirando la tapa pequeña y vertiendo el agua a través del orificio de la tapa grande.
2. Retirando la tapa grande del depósito y vertiendo el agua directamente.



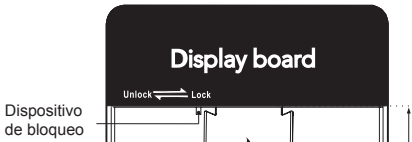
**PRECAUCIÓN**

No vierta ningún otro líquido que no sea agua en el depósito.



- Bloqueo

Antes de dispensar agua, asegúrese de que el dispensador está en posición "unlock" (desbloqueo). El dispositivo de bloqueo se encuentra bajo la pantalla, como se muestra en la imagen.



**ADVERTENCIA**

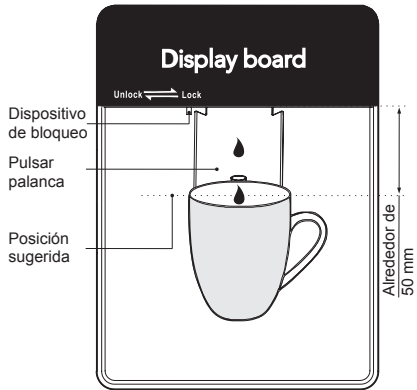
La función de bloqueo se utiliza para bloquear el dispositivo. No ejerza fuerza sobre la palanca del dispensador mientras esté en la posición "lock" (bloqueo), ya que podría dañarlo y romperlo.



**ADVERTENCIA**

No tire de la palanca del dispensador sin un recipiente debajo, ya que el agua podría derramarse. Mantenga el dispositivo de suministro de agua instalado cuando el dispensador de agua no esté en uso para prevenir fugas de aire frío.

- Uso del dispensador de agua  
Para dispensar agua, debe utilizar un vaso de tamaño adecuado que se pueda colocar bajo el dispensador.



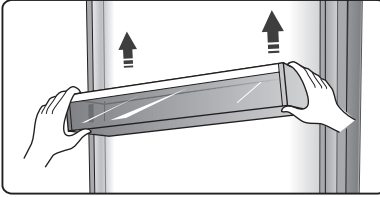
**Nota:** El uso frecuente del dispensador de agua puede derramar gotas sobre la bandeja que, en algún momento, puede desbordarse. Seque la bandeja con un paño cuando sea necesario.

**7.2 Soportes de las puertas**

El frigorífico cuenta con soportes en el interior de las puertas, aptos para almacenar bebidas enlatadas y embotelladas, así como alimentos envasados. No coloque una gran cantidad de alimentos y elementos pesados en los soportes de las puertas.

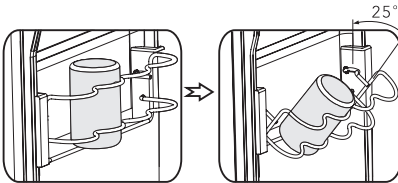
- El soporte intermedio está diseñado para ajustarse a distintas alturas en función de sus necesidades. Vacíelo antes de levantarlo para extraerlo. A continuación, vuelva a colocarlo a la altura deseada.

**Nota:** La bandeja para huevos suministrada debe colocarse en el soporte superior.



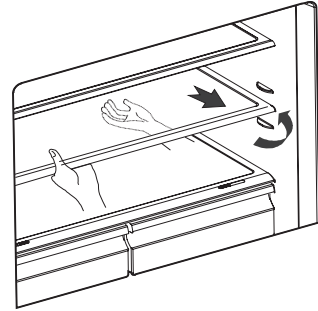
### 7.3 Soporte para latas

- En este soporte se pueden almacenar hasta cuatro latas de tamaño estándar, pero no es adecuado para latas con un diámetro inferior a 50 mm. El soporte también puede girar 25° sobre el estante cuando sea necesario facilitar el almacenamiento o el acceso a las bebidas.

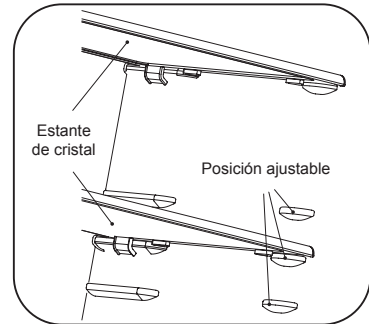


### 7.4 Estantes de cristal

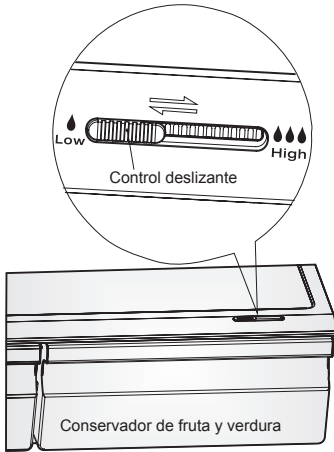
El frigorífico dispone de dos estantes de cristal en su interior. El estante superior está diseñado para permanecer fijo, mientras que el inferior es ajustable. El estante inferior se puede colocar en tres niveles distintos. Ajuste su altura en función de sus necesidades:



- Al retirar los estantes, tire de ellos suavemente hacia delante hasta que salgan de las guías.
- Cuando vuelva a colocarlos, asegúrese de que no hay ningún obstáculo por detrás y empuje suavemente hasta que alcancen su posición.



### 7.5 Conservador y control de humedad

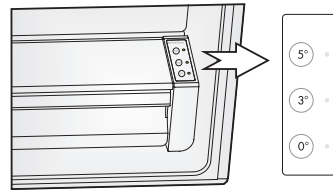


El conservador, montado sobre guías extensibles telescópicas, sirve para almacenar fruta y verdura. Puede ajustar la humedad interior con el control deslizante.

- El control de humedad ajusta el flujo de aire del conservador; cuanto mayor es el flujo, menor es la humedad. Deslice el control de humedad hacia la derecha para aumentarla.
- Se recomiendan valores de humedad elevados para la verdura y bajos para la fruta.
- Siga estas sencillas instrucciones para retirar la cámara del conservador o el cajón del congelador para proceder a su limpieza. Vacíe la cámara del conservador y, a continuación, tire de ella hasta abrirla por completo. Levante el conservador de las guías laterales. Vuelva a colocar las guías correderas en su sitio para evitar daños al cerrar la puerta.

### 7.6 FRESH ZONE. Control de precisión de temperatura (opcional)

Los alimentos se pueden conservar frescos durante períodos más prolongados cuando se almacenan a una temperatura óptima, pero cada alimento requiere una temperatura distinta. Hay una pantalla a la derecha del cajón de enfriamiento. La temperatura del compartimento se puede establecer en 0 °C, 3 °C y 5 °C para que se adapte a carnes, fruta y verdura ("Vege.") o productos *delicatsen* ("Deli"), respectivamente, usando los botones "FRESH ZONE". Consulte la tabla que aparece a continuación para ver la configuración recomendada para sus necesidades de almacenamiento.



Deli [5°C]	Vege. [3 °C]	0 °C [0 °C]
Queso	Pepino	Filetes
Jamón cocido	Lechuga	Pescado
Salami	Naranjas	Embutidos
Aceitunas	Maíz	Carne de ave

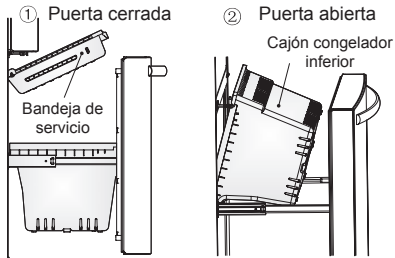
### 7.7 Uso de la cámara del frigorífico

La cámara del frigorífico es adecuada para el almacenamiento de fruta y verdura. Se recomienda envasar los alimentos por separado para que mantengan la humedad y para evitar que los sabores se impregnen en otros alimentos.

- PRECAUCIÓN**  
 Nunca cierre las puertas con las bandejas, el conservador o las guías telescópicas abiertos. Puede dañar la unidad.

## 7.8 Uso del cajón congelador

El cajón congelador es adecuado para almacenar alimentos que requieran congelación, como carne, helado, etc. Para retirar el cajón congelador, tire de él por completo, levante la bandeja de servicio y sáquela. A continuación, abra las puertas del frigorífico al ángulo máximo y podrá retirar el cajón congelador como se muestra en las siguientes imágenes.

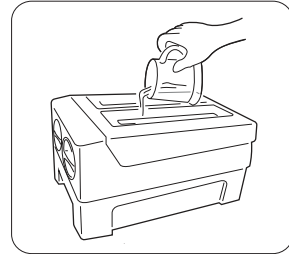


### PRECAUCIÓN

No permita que los bebés o los niños entren en el frigorífico, ya que podrían hacerse daño o dañar el aparato. No se sienten en la puerta del congelador. La puerta se puede romper. No permita que los niños se suban al cesto del congelador. Si retira el separador para limpiar el cesto, deberá reinstalarlo tras la limpieza para evitar que los niños queden atrapados dentro.

## 7.9 Bandeja de hielo giratoria

- La bandeja de hielo giratoria está situada en el cajón congelador superior y sirve para fabricar y almacenar hielo.
  1. Llénela con agua potable sin superar la marca de nivel máximo.
  2. Vuelva a colocar la bandeja llena de agua en el soporte.
  3. Espere alrededor de tres horas, gire los selectores en el sentido de las agujas del reloj y el hielo caerá en la cubitera inferior.



4. Los cubitos de hielo se pueden almacenar en la cubitera inferior. Cuando los necesite, tire de la cubitera y sírvase.

**Nota:** Limpie la bandeja de hielo cuando la utilice por primera vez o si no la ha utilizado durante un periodo de tiempo prolongado.

## 8. CONSEJOS ÚTILES

### 8.1 Consejos para ahorrar energía

Le recomendamos que siga estos consejos para ahorrar energía.

- No mantenga la puerta abierta durante mucho tiempo para conservar la energía.
- Asegúrese de que el aparato está alejado de cualquier fuente de calor (luz solar directa, hornos, estufas, etc.).
- No establezca una temperatura inferior a la necesaria.
- No guarde en el aparato alimentos calientes ni líquidos en evaporación.

- Coloque el aparato en un lugar bien ventilado y sin humedades. Consulte el apartado "Instalación del nuevo aparato".
- La vista 1 de la sección "Descripción del aparato" muestra la disposición correcta de los cajones, el conservador y los estantes; no cambie esta combinación, ya que está diseñada para conseguir el máximo ahorro de energía.

### Consejos para la refrigeración de alimentos frescos

- No coloque alimentos calientes directamente en el frigorífico ni el congelador, ya que aumentará la temperatura interior y el compresor tendrá que consumir más energía.



- Cubra o envuelva los alimentos, especialmente si tienen un sabor fuerte.
- Coloque los alimentos de modo que el aire pueda circular libremente entre ellos.

**Consejos para la refrigeración**

- Carne (de todo tipo): envuélvala en polietileno y colóquela en el estante de cristal situado sobre el cajón para verduras. Siga siempre los tiempos de almacenamiento y las fechas de caducidad que sugieren los fabricantes.
- Alimentos cocinados, platos fríos, etc.: Deben cubrirse y colocarse en cualquier estante.
- Fruta y verdura: Deben almacenarse en el cajón destinado a tal efecto.
- Mantequilla y queso: Deben estar envueltos en papel de aluminio o plástico.
- Botellas de leche: Deben permanecer tapadas y almacenarse en los soportes de las puertas.

- No permita que alimentos frescos y sin congelar entren en contacto con alimentos ya congelados para evitar el aumento de temperatura de los segundos.
- Si se consumen productos congelados inmediatamente después de extraerlos del congelador, se corre el riesgo de sufrir quemaduras por congelación en la piel.
- Se recomienda etiquetar y fechar cada paquete congelado para llevar un seguimiento de los tiempos de almacenamiento.

**Consejos para el almacenamiento de alimentos congelados**

- Asegúrese de que el distribuidor de alimentos congelados los ha almacenado correctamente
- Una vez descongelados, los alimentos se deterioran rápidamente y no deben volver a congelarse. No supere el tiempo de almacenamiento indicado por el fabricante de los alimentos.

**8.2 Consejos sobre la congelación**

- Al encender el aparato por primera vez o después de un periodo sin uso, déjelo en marcha al menos dos horas con los ajustes máximos antes de introducir alimentos en el compartimento.
- Divida los alimentos en porciones pequeñas para agilizar el proceso de congelación y facilitar la descongelación y uso de las cantidades necesarias.
- Envuelva los alimentos en papel de aluminio o de polietileno y compruebe que los envoltorios quedan herméticamente cerrados.

**8.3 Apagado del aparato**

Si es necesario desconectar el aparato durante un tiempo prolongado, debe realizar los pasos siguientes para prevenir la formación de moho.

1. Extraiga todos los alimentos.
2. Desconecte el enchufe de la toma de red.
3. Limpie y seque a fondo el interior.
4. Coloque una cuña en las puertas para mantenerlas ligeramente abiertas y permitir la circulación de aire.

**9. LIMPIEZA Y CUIDADOS**

Por motivos de higiene, el aparato (incluidos los accesorios exteriores e interiores) debe limpiarse de forma regular, al menos cada dos meses.



**PRECAUCIÓN**

El aparato debe desconectarse de la red eléctrica durante su limpieza. Riesgo de descarga eléctrica. Antes de proceder a su limpieza, apague el aparato y desconéctelo de la toma de red.

## 9.1 Limpieza exterior

Para mantener el buen aspecto del aparato, debe limpiarlo con regularidad.

- Limpie el panel y la pantalla digital con un paño limpio y suave.
- Pulverice agua sobre el paño de limpieza en lugar de hacerlo directamente sobre la superficie del aparato. Esto ayuda a garantizar una distribución uniforme de la humedad en la superficie.
- Limpie las puertas, los tiradores y las superficies interiores con un detergente suave y séquelos con un paño suave.



### PRECAUCIÓN

- No utilice objetos afilados, ya que pueden rayar la superficie.
- No utilice disolventes, detergente para vehículos, *Clorox*, aceites esenciales, limpiadores abrasivos ni disolventes orgánicos como el benceno para la limpieza. Pueden dañar la superficie del aparato y provocar incendios.

## 9.2 Limpieza interior

- Limpie el interior del aparato con regularidad. Será más fácil de limpiar cuando la cantidad de alimentos en el interior sea escasa. Limpie el interior del congelador con una solución muy diluida de bicarbonato de sodio y, a continuación, aclárela con agua tibia mediante un paño o una esponja bien escurridos. Seque la superficie por completo antes de volver a colocar los estantes y los cestos. Seque bien todas las superficies y partes removibles.

- Aunque este aparato cuenta con descongelación automática, pueden generarse capas de hielo en las paredes interiores del compartimento del congelador si se abre la puerta con frecuencia o se mantiene abierta durante un periodo prolongado. Si la capa de hielo es demasiado gruesa, elija el momento en que la carga de alimentos sea baja y proceda del siguiente modo:

1. Retire los alimentos y los cestos del interior, desconecte el aparato de la toma de red y deje las puertas abiertas. Ventile al máximo el espacio para acelerar el proceso de descongelación.
2. Cuando se complete la descongelación, limpie el congelador como se indica anteriormente.



### PRECAUCIÓN

No utilice objetos afilados para eliminar el hielo del compartimento del congelador. El aparato no deberá volver a conectarse a la toma de red ni a encenderse hasta que el interior se haya secado por completo.

## 9.3 Limpieza de las juntas de las puertas

Asegúrese de mantener las juntas de las puertas limpias. Los alimentos pegajosos y las bebidas pueden causar que las juntas se peguen a la cámara y se desgasten al abrir las puertas. Lave las juntas con un detergente suave y agua tibia. Aclárelas y séquelas a fondo tras la limpieza.



### PRECAUCIÓN

El aparato no deberá volver a encenderse hasta que se las juntas de las puertas se hayan secado por completo.



### ADVERTENCIA

La sustitución del indicador LED no deberá llevarla a cabo el usuario. Si el indicador LED está dañado, póngase en contacto con el teléfono de atención al cliente para obtener asistencia.



## 10. SOLUCIÓN DE PROBLEMAS

Si tiene un problema con el aparato o le preocupa que no funcione correctamente, puede realizar algunas sencillas comprobaciones antes de llamar al servicio técnico. Consulte las siguientes indicaciones. Realice las sencillas comprobaciones de esta sección antes de llamar al servicio técnico.



### ADVERTENCIA

No intente reparar el aparato. Si el problema persiste después de realizar las comprobaciones indicadas a continuación, póngase en contacto con un electricista cualificado, un técnico de servicio autorizado o con la tienda donde adquirió el producto.

Problema	Posible causa y solución
El aparato no funciona correctamente	Compruebe que el enchufe está conectado correctamente a la toma de red.
	Compruebe el fusible o el circuito de la fuente de alimentación y sustitúyalo si es necesario.
	Es normal que el congelador no funcione durante el ciclo de descongelación automática o durante un tiempo breve después de conectar el aparato para proteger el compresor.
Olores en los compartimentos	Puede que necesite limpiar el interior del frigorífico.
	Algunos alimentos, recipientes o envases generan olores.
Ruido del aparato	Los siguientes sonidos son bastante normales: <ul style="list-style-type: none"> <li>• Ruido de funcionamiento del compresor.</li> <li>• Ruido de movimiento de aire proveniente del pequeño ventilador del motor del compartimento del congelador u otros compartimentos.</li> <li>• Gorgoteo similar a agua hirviendo.</li> <li>• Crujidos durante la descongelación automática.</li> <li>• Chasquidos previos a la puesta en marcha del compresor.</li> </ul>
	Otros ruidos inusuales pueden deberse a los motivos que se detallan a continuación y es posible que requieran comprobación e intervención: La cámara no está nivelada. La parte posterior del aparato toca la pared. Alguna botella o envase se ha caído o rueda.
El motor funciona continuamente	Es normal oír con frecuencia el sonido del motor; necesitará funcionar más a menudo en las siguientes circunstancias: <ul style="list-style-type: none"> <li>• La temperatura se ha establecido en un nivel más frío del necesario.</li> <li>• Se ha almacenado recientemente una gran cantidad de alimentos a temperatura ambiente en el aparato.</li> <li>• La temperatura en el exterior del aparato es demasiado elevada.</li> <li>• Las puertas se mantienen abiertas durante un período de tiempo prolongado.</li> <li>• El aparato está recién instalado o se ha apagado durante un período de tiempo prolongado.</li> </ul>

Hay una capa de hielo en el compartimento	Compruebe que las salidas de aire no están obstruidas por alimentos y asegúrese de que estos están colocados de manera que permitan una ventilación adecuada. Asegúrese de que la puerta está completamente cerrada. Para retirar el hielo, consulte la sección "Limpieza y cuidados".
La temperatura interior es demasiado alta	Puede que haya dejado las puertas abiertas demasiado tiempo o con demasiada frecuencia, o que algún obstáculo impida que se cierren. También es posible que no haya espacio suficiente alrededor de los laterales, la parte posterior o la superior del aparato.
La temperatura interior es demasiado baja	Aumente la temperatura siguiendo el capítulo Aumentar la temperatura de los "Controles de la pantalla".
Las puertas no se cierran con facilidad	Compruebe que la parte superior del frigorífico esté inclinada hacia atrás unos 10-15 mm para que las puertas se cierren solas o si algún obstáculo en el interior impide su cierre.
Gotea agua al suelo	Es posible que el colector de agua (ubicado en la parte inferior trasera de la cámara) no esté correctamente nivelado, o que el erogador de drenaje (ubicado bajo la parte superior del depósito del compresor) no esté colocado adecuadamente para dirigir el agua al colector. También es posible que el erogador esté bloqueado. Puede que sea necesario tirar del frigorífico y retirarlo de la pared para comprobar el colector y el erogador.
La luz no funciona	Puede que el indicador LED esté dañado. Consulte el procedimiento de sustitución de indicadores LED en el capítulo "Limpieza y cuidados". El sistema de control ha deshabilitado los indicadores porque la puerta se ha mantenido abierta durante demasiado tiempo. Cierre y vuelva a abrir la puerta para volver a activarlos.
La puerta no se abre con suavidad	Compruebe la junta de la puerta y, si fuera necesario, limpie las juntas de goma que rodean los bordes de la puerta con detergente lavavajillas y agua tibia. Puede acumularse suciedad y provocar que la puerta se adhiera al frigorífico.

## 11. DESECHO DEL APARATO

El frigorífico está fabricado con materiales reutilizables. Debe desecharse de conformidad con la normativa local actual relativa al desecho de residuos. El aparato contiene una pequeña cantidad de refrigerante (R600a) en el circuito de refrigeración. Para su seguridad, consulte la sección relativa al refrigerante y al riesgo de incendio asociado que inclu-

ye este manual de instrucciones antes de desmontar el aparato. Corte el cable de alimentación para que el refrigerador quede inutilizable y retire el bloqueo y la junta de la puerta. Tenga cuidado con el sistema de refrigeración y no lo dañe perforando el contenedor del refrigerante, doblando los tubos o raspando el revestimiento de la superficie.



### Eliminación adecuada del aparato



El símbolo que aparece en el producto o en su embalaje indica que no puede tratarse como residuo doméstico. En su lugar, debe llevarse a un punto de recogida adecuado para el reciclado de los componentes eléctricos y electrónicos. Al desechar el producto de manera correcta, contribuirá a evitar las posibles consecuencias negativas para la salud humana y el medio ambiente que podría provocar el desecho inadecuado de este producto. Si desea obtener más información sobre el reciclaje de este producto, solicítela a las autoridades municipales, al servicio de eliminación de desechos domésticos o al establecimiento donde lo adquirió.

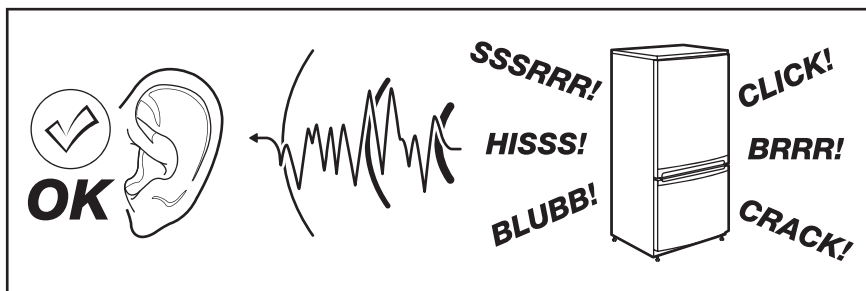
## 12. DATOS TÉCNICOS

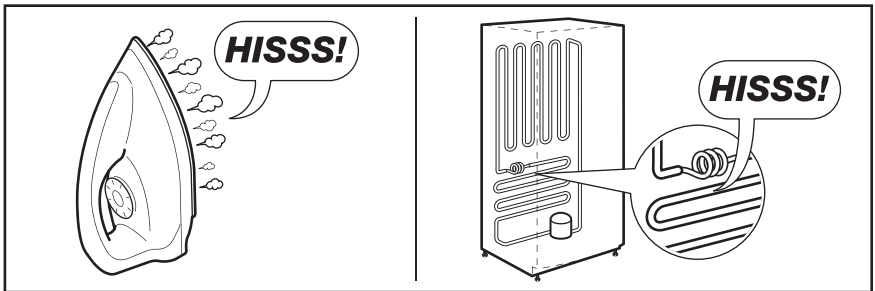
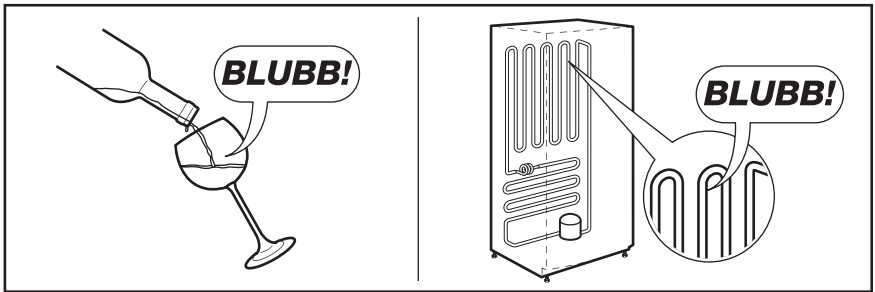
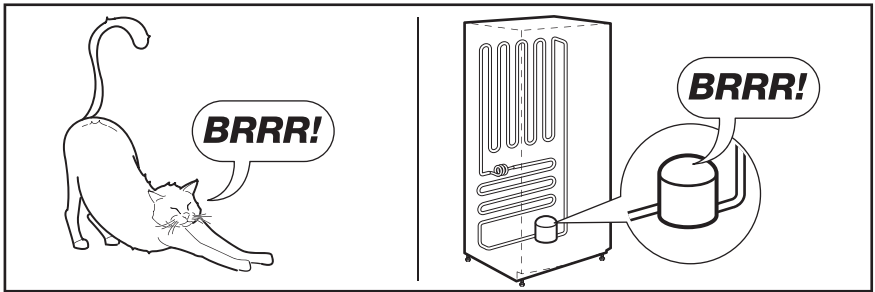
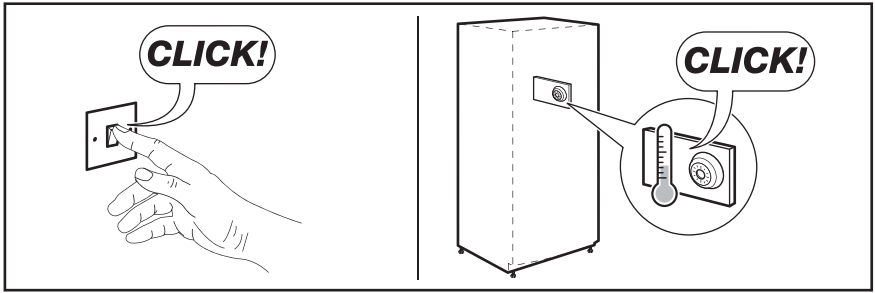
Medidas	
Altura	1766 mm
Anchura	912 mm
Profundidad	765 mm
Tiempo de estabilización	12 h
Voltaje	220-240 V
Frecuencia	50 Hz

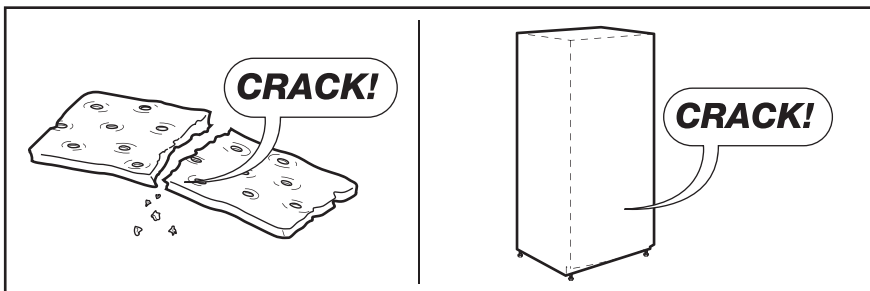
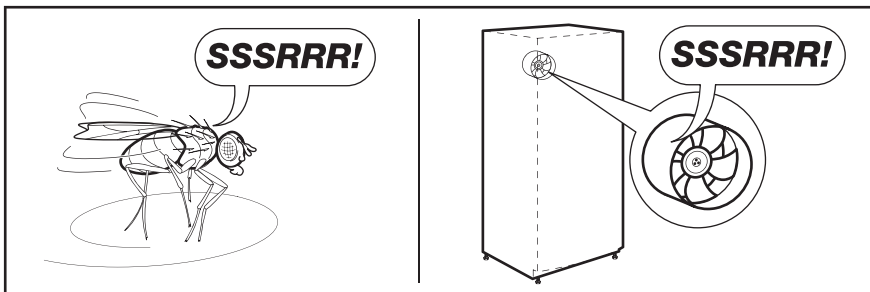
La información técnica se encuentra en la placa de características, situada en el lado interior izquierdo del aparato, y en la etiqueta de consumo energético.

## 13. RUIDOS

Durante el funcionamiento normal del aparato suelen producirse ciertos ruidos (compresor, circulación del refrigerante).









## INDHOLD

1. OM SIKKERHED .....	249
2. SIKKERHEDSANVISNINGER .....	250
3. MILJØHENSYN .....	251
4. BESKRIVELSE AF APPARATET .....	252
5. MONTERING AF DIT NYE PRODUKT .....	254
6. BETJENINGSENHEDER I DISPLAYET .....	256
7. BRUG AF PRODUKTET .....	258
8. NYTTIGE OPLYSNINGER OG RÅD .....	262
9. RENGØRING OG VEDLIGEHOLDELSE .....	263
10. FEJLFINDING .....	264
11. BORTSKAFFELSE AF PRODUKTET .....	266
12. TEKNISKE DATA .....	266
13. STØJ .....	267

## FOR PERFEKTE RESULTATER

Tak for at have valgt dette produkt fra Electrolux. Vi har skabt det, så du kan nyde en uovertruffen funktionsevne i mange år med nyskabende teknologi, der gør livet lettere – funktioner, som du ikke finder i almindelige produkter. Brug et par minutter på at læse mere – så du kan få det bedste ud af det.

### Besøg vores websted for at:



Få råd om brug, brochurer, adgang til fejlfindingsfunktion og serviceinformation:  
**[www.electrolux.com](http://www.electrolux.com)**



Få bedre service ved at registrere dit produkt:  
**[www.electrolux.com/productregistration](http://www.electrolux.com/productregistration)**



Købe tilbehør, forbrugsvarer og originale reservedele til dit produkt:  
**[www.electrolux.com/shop](http://www.electrolux.com/shop)**


## KUNDEPLEJE OG SERVICE

Brug altid originale reservedele.

Når du kontakter vores autoriserede servicecenter skal du sørge for at have følgende data tilgængelige: model, PNC, serienummer.

Du finder oplysningerne på maskinens typeskilt.

 Advarsel/Forsigtig-sikkerhedsanvisninger

 Generelle oplysninger og gode råd

 Miljøoplysninger

Retten til ændringer uden varsel forbeholdes.





## 1. OM SIKKERHED

Læs brugervejledningen grundigt, før apparatet installeres og tages i brug. Producenten kan ikke drages til ansvar, hvis apparatet installeres forkert, og anvendelsen forårsager skade. Opbevar altid brugervejledningen sammen med apparatet til eventuel fremtidig brug.

### 1.1 Sikkerhed for børn og andre udsatte personer

- Dette produkt kan bruges af børn fra 8 år og opefter samt af personer med nedsat fysisk, sensorisk eller psykisk funktionsevne, eller som mangler den nødvendige erfaring eller viden, hvis de er under opsyn eller er blevet instrueret i at bruge produktet på en sikker måde samt forstår de medfølgende farer.
- Lad ikke børn lege med apparatet.
- Rengøring og vedligeholdelse må ikke udføres af børn uden opsyn.
- Opbevar al emballage utilgængeligt for børn.

### 1.2 Generelt om sikkerhed

- Dette apparat er beregnet til husholdningsbrug eller lignende anvendelse, som f.eks.:
  - Gæstehuse, kantineområder i butikker, på kontorer og i andre arbejdsmiljøer
  - Af kunder på hoteller, moteller, overnatningssteder med Bed and Breakfast og andre miljøer af indkvarteringstypen
- Sørg for, at der er frit gennemtræk gennem udluftninger, både i apparatets kabinet og i et evt. indbygningselement.
- Brug ikke mekanisk udstyr eller andre midler til at fremskynde afrimningen, bortset fra de midler, der anbefales af producenten.
- Undgå at beskadige kølekredsløbet.
- Brug ikke el-apparater indvendigt i køleskabet, medmindre det anbefales af producenten.
- Undlad at bruge højtryksrensere eller damp til at rengøre apparatet.
- Rengør apparatet med en fugtig, blød klud. Brug kun et neutralt rengøringsmiddel. Brug ikke slibende midler, skuresvampe, opløsningsmidler eller metalgenstande.

- Der må ikke opbevares eksplosive stoffer, såsom spraydåser med brandfarlige drivmidler, i apparatet.
- Hvis netledningen er beskadiget, skal den af sikkerhedsgrunde udskiftes af producenten, dennes serviceværksted eller en tekniker med tilsvarende kvalifikationer.
- Hvis apparatet er udstyret med en ismaskine eller en vanddispenser, må denne udelukkende fyldes med drikkevand.
- Hvis apparatet kræver en vandtilslutning, må den udelukkende sluttes til drikkevandforsyningen.
- Trykket for indløbsvandet (min. og maks.) skal være mellem 1 bar (0,1 MPa) og 10 bar (1 MPa)

## 2. SIKKERHEDSANVISNINGER

### 2.1 Installation



#### ADVARSEL!

Apparatet må kun installeres af en sagkyndig.

- Fjern al emballage.
- Undlad at installere eller bruge et beskadiget apparat.
- Følg installationsvejledningen, der følger med apparatet.
- Vær altid forsigtig, når du flytter apparatet, da det er tungt. Brug altid sikkerhedshandsker.
- Sørg for, at luften kan cirkulere omkring apparatet.
- Vent mindst 4 timer, inden du slutter apparatet til strømforsyningen. Således kan olien løbe tilbage i kompressoren.
- Installer ikke apparatet tæt på radiatorer eller komfurer, ovne eller kogeplader.
- Apparatets bagside skal anbringes mod væggen.
- Installer ikke apparatet i direkte sollys.
- Apparatet må ikke installeres i områder med for høj fugtighed eller kulde. Det kan f.eks. være tilbygninger, garager eller vinkældre.
- Når du flytter apparatet, skal du løfte op i forkanten, så gulvet ikke bliver ridset.

### 2.2 El-tilslutning



#### ADVARSEL!

Risiko for brand og elektrisk stød.

- Apparatet skal tilsluttes jord.
- Sørg for, at de elektriske data på typeskiltet svarer til strømforsyningen. Hvis det ikke er tilfældet, skal du kontakte en elektriker.
- Brug altid en korrekt monteret lovlig stikkontakt.
- Brug ikke multistik-adaptore eller forlængerledninger.
- Sørg for, at du ikke beskadiger de elektriske komponenter (f.eks. netstik, netledning, kompressor). Kontakt servicecenteret eller en elektriker for at skifte de elektriske komponenter.
- Netledningen skal være under niveauet for netstikket. Sæt først netstikket i stikkontakten ved installationens afslutning. Sørg for, at der er adgang til elstikket efter installationen. Undgå at slukke for maskinen ved at trække i ledningen. Tag altid selve netstikket ud.



## 2.3 Brug



### ADVARSEL!

Risiko for personskade, forbrændinger, elektrisk stød eller brand.

- Apparatets specifikationer må ikke ændres.
- Anbring ikke el-apparater (f.eks. ismaskiner) i apparatet, medmindre det er angivet på apparatet som egnet af producenten.
- Vær omhyggelig med ikke at forårsage skade på kølekredsløbet. Det indeholder isobutan (R600a), en naturgas med høj biologisk nedbrydelighed. Denne gas er brandbar.
- Hvis der opstår skader på kølekredsløbet, skal du sørge for, at der ikke er åben ild eller antændelseskilder i rummet. Luft ud i rummet.
- Lad ikke varme ting røre apparatets plastdele.
- Sæt ikke læskedrikke i frostrummet. Dette vil skabe tryk på drikkevarerne.
- Opbevar ikke brandfarlig gas og væsker i apparatet.
- Undlad at bruge brændbare produkter eller ting, der er fugtet med brændbare produkter, i apparatet eller i nærheden af eller på dette.
- Rør ikke ved kompressoren eller kondensatoren. De er varme.
- Rør ikke ved ting fra fryserafdelingen, hvis dine hænder er våde eller fugtige.
- Indfrys ikke madvarer, der har været optøet.
- Overhold opbevaringsanvisningerne på emballagen til frostvaren.

## 2.4 Indvendigt lys

- Den type lampe, der anvendes til dette apparat, er ikke egnet til oplysning i almindelige rum.

## 2.5 Vedligeholdelse og rengøring



### ADVARSEL!

Risiko for personskade eller skader på apparatet.

- Sluk for apparatet, og tag stikket ud af kontakten inden vedligeholdelse.
- Apparatets kølesystem indeholder kulbrinter. Kun en faguddannet person må udføre vedligeholdelse og opladning af enheden.
- Undersøg jævnligt apparatets afløb, og rengør det, hvis det er nødvendigt. Hvis afløbet er blokeret, ophobes afrymningsvandet i bunden af apparatet.

## 2.6 Bortskaffelse





### ADVARSEL!

Risiko for personskade eller kvælning.

- Tag stikket ud af kontakten.
- Klip elledningen af, og bortskaf den.
- Fjern døren, så børn og kæledyr ikke kan blive lukket inde i apparatet.
- Apparatets kølekredsløb og isoleringsmaterialer er ozonvenlige.
- Isoleringsskummet indeholder brændbar gas. Kontakt din genbrugsplads ang. oplysninger om, hvordan apparatet bortskaffes korrekt.
- Undgå at beskadige delene til køleenheden, der befinder sig i nærheden af varmeveksleren.

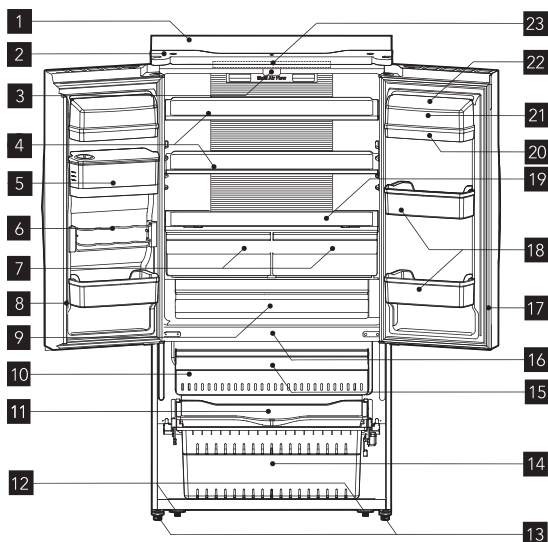
## 3. MILJØHENSYN

Genbrug materialer med symbolet . Anbring emballagematerialet i passende beholdere til genbrug. Hjælp med at beskytte miljøet og menneskelig sundhed og med at genbruge affald af

elektriske og elektroniske apparater. Bortskaf ikke apparater, der er mærket med symbolet , sammen med husholdningsaffaldet. Aflever produktet på din lokale genbrugsplads, eller kontakt din kommune.

## 4. BESKRIVELSE AF APPARATET

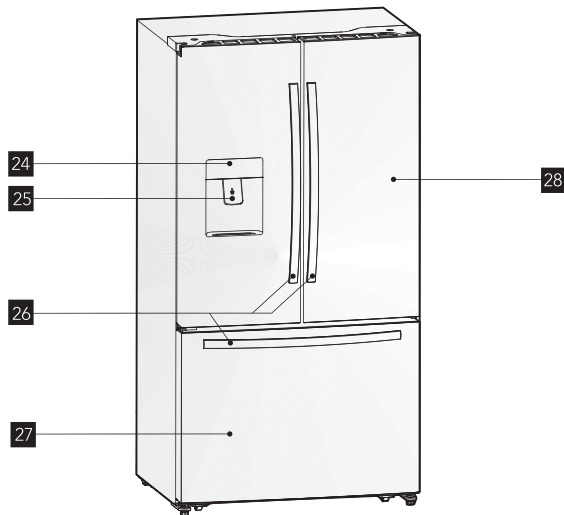
### 4.1 Grafisk oversigt 1 over apparatet



- |  |  |
|--|--|
| <b>1</b> Kabinet                               | <b>13</b> Nederste justeringsfødder        |
| <b>2</b> Topdæksel                             | <b>14</b> Nederste fryseskuffe             |
| <b>3</b> Lodret ledepladeblok                  | <b>15</b> Øverste fryseskuffe              |
| <b>4</b> Glashylde                             | <b>16</b> Lysdiode i fryseren (indvendigt) |
| <b>5</b> Vandbeholder                          | <b>17</b> Dørpakning til køleskab          |
| <b>6</b> Flexibelt stativ til beholdere        | <b>18</b> Nederste beholder                |
| <b>7</b> Frugt- og grøntsagsskuffe             | <b>19</b> Låg til grøntsagsskuffe          |
| <b>8</b> Lodret ledeplade                      | <b>20</b> Øverste beholder                 |
| <b>9</b> Mit friske valg                       | <b>21</b> Æggebakke (indvendigt)           |
| <b>10</b> Drejelig isterningbakke (indvendigt) | <b>22</b> Dæksel til beholder              |
| <b>11</b> Serveringsbakke                      | <b>23</b> Lysdiode i køleskab (indvendigt) |
| <b>12</b> Ruller                               |  |



## 4.2 Grafisk oversigt 2 over apparatet



**24** Displaykort

**25** Dispenser til koldt vand


**26** Håndtag

**27** Fryserlåge

**28** Køleskabsdør

**Bemærk:** Pga. den konstante forbedring af vores produkter kan dit køleskab se lidt anderledes ud i forhold til illustrationen ovenfor, men dets funktioner og betjeningsmetoder er ens.

**Bemærk:** For at opnå den bedste energieffektivitet for dette produkt skal du anbringe alle hylder, skuffer og kurve på deres oprindelige plads som vist i illustrationen ovenfor.

	<p> Dette apparat sælges i Frankrig. I henhold til gældende lov i dette land skal køleskabets nederste afdeling være forsynet med en særlig enhed (se tegningen), der viser den koldeste zone i denne.</p>
--	---

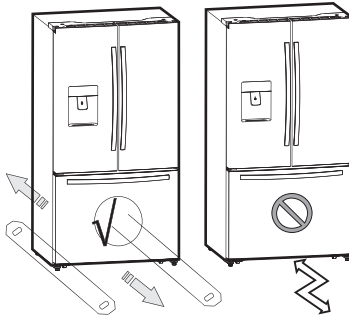
## 5. MONTERING AF DIT NYE PRODUKT

Dette afsnit beskriver installationen af det nye produkt, inden det anvendes første gang. Vi anbefaler at læse følgende



### ADVARSEL!

For at sikre korrekt installation skal køleskabet anbringes på en plan overflade af hårdt materiale, der er i samme højde som den øvrige gulvbelægning. Denne overflade skal være stærk nok til at understøtte et helt opfyldt køleskab, eller ca. 266 lbs. (120 kg). Når enheden skal flyttes, trækkes den lige ud og skubbes lige tilbage. råd.



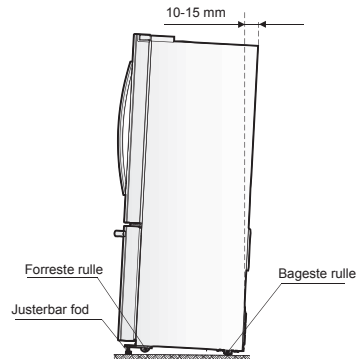
Klasse	Symbol	Omgivende temperaturområde (°C)
Udvidet temperatur-område	SN	+10 til +32
Tempereret	N	+16 til +32
Subtropisk	ST	+16 til +38
Tropisk	T	+16 til +43

### 5.1 Niveauregulering af produktet

For at sikre korrekt niveauregulering og undgå vibrationer er produktet forsynet med justerbare fødder foran. Juster niveauet ved at følge nedenstående anvisninger:

1. Rul køleskabet på plads.
2. Drej de justerbare fødder (med fingrene eller med en passende skruenøgle), indtil de rører gulvet.

3. Vip toppen af køleskabet ca. 10-15 mm tilbage ved at dreje fødderne 1~2 omgange yderligere. Dette får lågen til selv at lukke og forsegle ordentligt.
4. Hvis du vil flytte produktet, skal du huske at dreje fødderne op igen, så produktet kan rulle frit. Juster apparatet igen, hvis det er blevet flyttet.

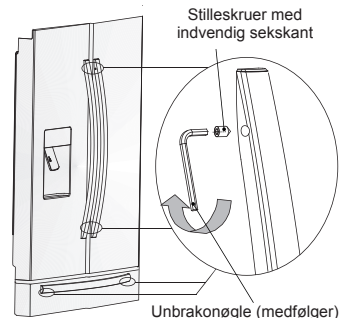


### ADVARSEL!

Rullerne, der ikke er styrehjul, bør kun anvendes til bevægelse frem eller tilbage. Hvis køleskabet flyttes sidelæns, kan det beskadige gulvet og rullerne.

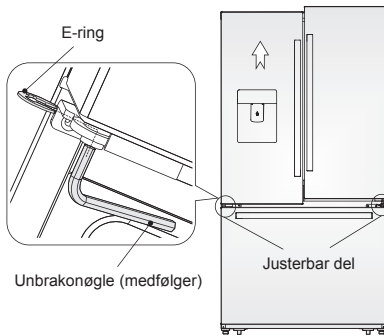
### 5.2 Montering af lågens håndtag

Inden produktet tages i brug, skal du kontrollere køleskabets håndtag. Hvis håndtagene er løse, skal du justere dem ved at dreje en unbrakonøgle med uret, indtil håndtagene sidder forsvarligt på plads. Hvert enkelt håndtag er forsynet med 2 skruer.



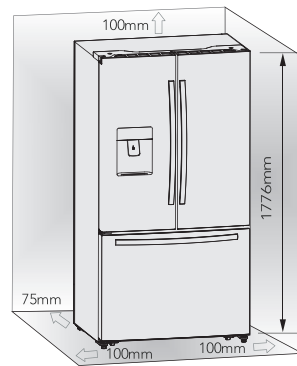
### 5.3 Justering af lågerne

- Både venstre og højre låge er forsynet med justerbare akser, som sidder i de nederste hængsler.
- Før lågerne justeres, skal du sørge for, at køleskabet er i vater. Læs forrige afsnit om "Niveauregulering af produktet". Hvis du finder ud af, at den øverste del af lågerne er skæve, indsættes unbrakonøglen i hængslets akse og drejes med uret for at hæve lågen eller mod uret for at sænke lågen, og indsæt en E-ring i mellemrummet.

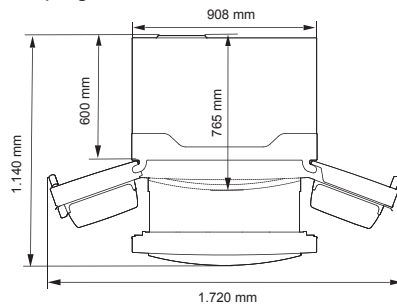


### 5.4 Ventilering af produktet

For at forbedre kølesystemets effektivitet og spare energi er det nødvendigt at opretholde korrekt ventilation omkring produktet til varmeafgivelse. Derfor bør der være tilstrækkelig plads omkring køleskabet, og området bør være ryddet for eventuelle forhindringer, der påvirker luftcirkulationen.



**Forslag:** For at sikre en korrekt funktion af produktet skal der holdes afstand, som vist på grafikken ovenfor.

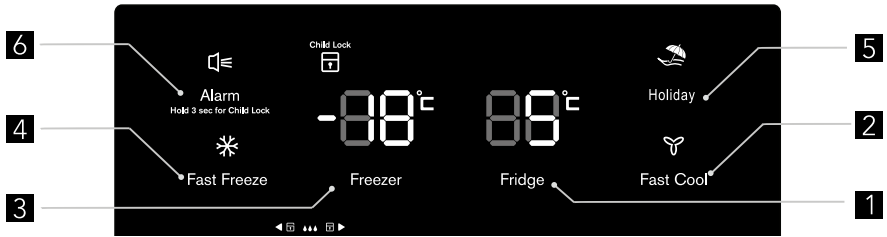


## 6. BETJENINGS EnhEDER I DISPLAYET

Alle funktioner og betjeningsenheder på enheden er tilgængelige fra et kontrolpanel, der er bekvemt placeret på køleskabets låge. Et tastatur med funktionsknapper og et digitalt display giver mulighed for nem konfiguration af funktioner og indstillinger på en enkel og intuitiv måde.

**Vigtigt!** Funktionsknapperne kræver kun et kort tryk for at blive aktiveret. Aktiveringen sker, når knappen slippes, ikke mens der trykkes på knappen. Der er ingen grund til at trykke hårdt på tastaturet. Børnesikringsfunktion

relateret til knappen "Alarm" kræver et langt tryk på mindst 3 sek. Der henvises til de relevante afsnit i denne brugervejledning for at få detaljerede anvisninger. Kontrolpanelet består af to temperaturområdeangivelser, fem ikoner, der viser forskellige tilstande, og seks funktionsknapper. Når produktet tændes første gang, tænder baggrundsbelysningen på ikonerne på displayet. Hvis der ikke trykkes på nogen knapper, og lågerne forbliver lukkede, slukkes baggrundsbelysningen efter 60 sek.



### Kontrol af temperaturen

Når du starter køleskabet første gang, anbefaler vi, at du indstiller temperaturen i køleskabet til 5 °C og fryseren på -18 °C. Følg nedenstående anvisninger for at ændre temperaturen.

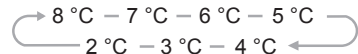


#### FORSIGTIG!

Når du angiver en temperatur, indstiller du en gennemsnitstemperatur for hele køleskabskabinettet. Temperaturerne i de enkelte afdelinger kan variere fra de temperaturværdier, der vises på panelet, afhængigt af hvor mange madvarer du opbevarer, og hvor du placerer dem. Den omgivende temperatur kan også påvirke den faktiske temperatur inde i produktet.

### 6.1 Køleskab

Tryk på knappen "Køleskab" gentagne gange for at indstille den ønskede køleskabstemperatur mellem 8 °C og 2 °C, temperaturen falder 1 °C for hvert tryk, og køleskabstemperaturindikatoren viser den tilsvarende værdi i henhold til følgende sekvens.



### 6.2 Hurtig nedkøling



Hvis det er nødvendigt at anbringe store mængder varme fødevarer i køleskabet, for eksempel efter indkøb,

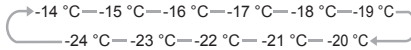
anbefales det at aktivere tilstanden Hurtig nedkøling for at nedkøle varerne hurtigere og for at undgå at opvarme de andre fødevarer i køleskabet.

- Funktionen "Hurtig nedkøling" aktiveres med et tryk på knappen. Superkølingsikonet lyser, og køleskabstemperaturindikatoren viser 2 °C.
- Superkølingsfunktionen afbrydes automatisk efter 6 timer.
- Tryk på "Hurtig nedkøling" eller "Køleskab" for at annullere superkølingstilstanden og vende tilbage til de tidligere temperaturindstillinger.

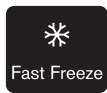


### 6.3 Fryse

Tryk på knappen "Fryser" for at indstille fryserens temperatur mellem -14 °C og -24 °C, så den passer til den ønskede temperatur, og frysertemperaturindikatoren viser den tilsvarende værdi i henhold til følgende sekvens.



### 6.4 Hurtig nedfrysning



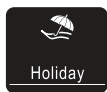
Funktionen Superfrys kan sænke frysetemperaturen og fryse madvarerne betydeligt hurtigere end normalt.

Tryk på knappen "Hurtig nedfrysning" for at starte funktionen Superfrys. Superfrys-ikonet lyser, og frysertemperaturindstillingen viser -24 °C.

- Ved førstegangsbrug eller efter en periode med inaktivitet bør der gå 6 timer med normal drift, før tilstanden Superfrys anvendes. Dette er især vigtigt, hvis der er anbragt en stor mængde fødevarer i fryseren.
- Superfrys slukker automatisk efter 26 timers brug, og frysertemperaturen falder til under -20 °C.
- Tryk på "Hurtig nedfrysning" eller "Fryser" for at annullere tilstanden Superfrys og vende tilbage til de tidligere temperaturindstillinger.

**Bemærk:** Når du vælger funktionen Superfrys, skal du sikre dig, at der ikke er drikkevarer i flaske eller på dåse (især kulsyreholdige drikkevarer) i fryseren. Flasker og dåser kan eksplodere.

### 6.5 Holiday



Denne funktion er udviklet til at minimere energiforbruget og elregningen, når køle-/fryseskabet ikke er i brug i længere tid. Du kan aktivere denne funktion ved at trykke kortvarigt på knappen "Holiday", indtil indikatorikonet Ferie lyser.

**Vigtigt!** Opbevar ikke fødevarer i køleskabsafdelingen i denne periode.

- Når funktionen Ferie er aktiveret, skifter temperaturen i køleskabet automatisk til 15 °C for at minimere energiforbruget. Køleskabstemperaturindstillingen viser "-", og fryseafdelingen forbliver tændt.
- Tryk på knappen "Ferie" for at annullere tilstanden Ferie og vende tilbage til de tidligere temperaturindstillinger.

### 6.6 Alarm



Hvis der opstår en alarm, lyser ikonet "Alarm", og en summende lyd udsendes. Tryk på knappen "Alarm" for at stoppe alarmløbet og den summende lyd, hvorefter ikonet "Alarm" slukker.



#### FORSIGTIG!

Når køleskabet tændes efter en periode med inaktivitet, vil Alarm muligvis blive aktiveret. I det tilfælde skal du trykke på knappen "Alarm" for at annullere den.

### Lågealarm

Et tændt alarmlys og en summende lyd indikerer unormale forhold, som f.eks. at en låge er blevet efterladt åben ved et uheld, eller at strømmen til enheden har været afbrudt.

- Hvis lågen til enten køleskab eller fryser efterlades åben i mere end 2 minutter, aktiveres en lågealarm og en summer. Summeren bipper 3 gange i minuttet i 10 minutter. Når lågen lukkes, afbrydes lågealarmen og summeren.
- For at spare energi bør du undgå at holde lågerne åbne i længere tid ved brug af køleskabet. Lågealarmen kan også afbrydes ved at lukke lågerne.

## Temperaturalarm

Dette er en vigtig funktion, der advarer brugere om potentielt fordærv af opbevarede fødevarer. Hvis der forekommer et strømsvigt, for eksempel en strømafbrydelse i dit beboelsesområde, mens du er væk, vil temperaturalarmen huske temperaturen i fryseren, når strømmen til enheden sluttes til igen. Det vil sandsynligvis være den maksimale temperatur, der er opnået for de frosne varer.

En temperaturalarmtilstand vil være angivet ved en alarmindikator og summer, når temperaturmålingen er varmere end  $-9^{\circ}\text{C}$ , hvorefter

- a- Alarmikonet lyser.
- b- Fryserens temperaturindikator viser "H".
- c- Summeren bipper 10 gange, når alarmen udløses, og stopper automatisk.

## 7. BRUG AF PRODUKTET

### 7.1 Dispenser til koldt vand

Dispenseren til koldt vand, der sidder i den venstre køleskabslåge, anvendes til opbevaring af drikkevand. Denne funktion giver nemt koldt vand, uden at lågen åbnes.

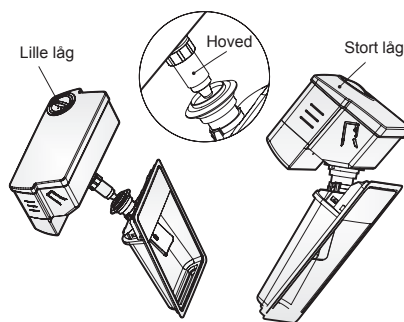
- Rengøring  
Rengør vanddispenseren, inden du bruger den første gang.  
Trin 1: Træk vanddispenseren ud  
Trin 2: Vask den med rent vand  
Trin 3: Tør den af
- Montering  
Se anvisningerne til genmontering af dispenseren herunder.
  1. Hold godt fast i begge sider af vandbeholderen, løft den op, og stil den uden for lågen.
  2. Skru hovedet i retning mod uret.
  3. Sæt dem tilbage i lågen, og skub beholderen på plads, indtil du hører et klik.

## FUNKTIONSSIKRING



Tryk på knappen "Alarm", og hold den nede i 3 sekunder for at aktivere børnesikringen. Dette vil deaktivere displayet for at undgå utilsigtede ændringer af indstillingerne. I mellemtiden lyser ikonet "Børnesikring".

- Tryk på knappen "Alarm" i 3 sekunder, og hold den nede, for at slå børnesikringen fra. Ikonet "Børnesikring" slukker.



### ADVARSEL!

Når vandbeholderen sættes ind, skal du først sikre dig, at hovedet sidder korrekt i hullet.

### Påfyldning af vand

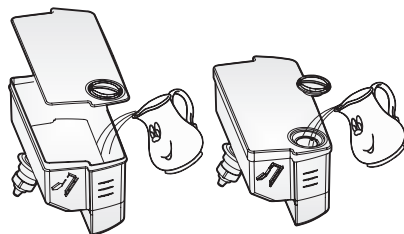
Før du fylder drikkevand i vandbeholderen, skal du sikre dig, at vandbeholderen er stabil og anbragt i en korrekt position. For at forhindre, at vandet flyder over og løber ud, fyldes vandbeholderen til under maksimummærket, hvilket er ca. 4,0 l. Der er to måder at fylde vandbeholderen på:



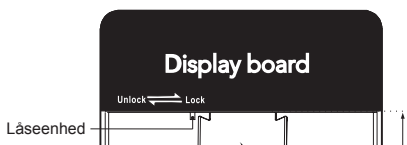
1. Ved at fjerne det lille låg og påfylde vand fra indløbet til det store låg.
2. Ved at fjerne beholderens store låg og derefter påfylde vandet direkte.

**FORSIGTIG!**

Hæld ikke andre væsker end vand i vandbeholderen.



- Lås  
Før du tapper vand, skal du sørge for, at dispenseren er i "oplåst" position. Låseanordningen sidder under displayet, som vist på billedet:

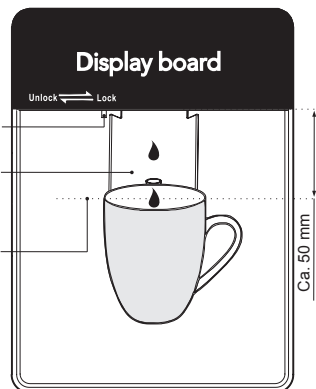
**ADVARSEL!**

Låsefunktionen bruges til at låse enheden. Skub ikke for kraftigt til dispensergrebet, når dispenseren er i "låst" position, da det kan beskadige dispenseren og få den til at revne.

- Brug af vanddispenser  
Du skal anvende en passende størrelse kop til at fylde vand i under vanddispenser.

**ADVARSEL!**

Træk ikke ud i dispensergrebet, uden at der er placeret en kop nedenunder. Dette vil kunne medføre, at vandet løber ud af dispenseren. Lad vandforsyningsenheden være tilsluttet, når vanddispenser ikke er i brug, for at undgå udsivning af kold luft.



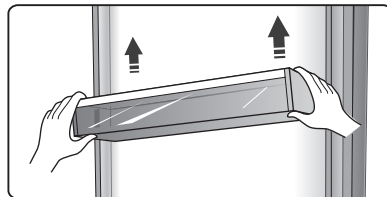
**Bemærk:** Hyppig brug af vanddispenser kan efterlade dråber på bakken, som evt. flyder over. Tør bakken med et håndklæde efter behov.

## 7.2 Lågestativ

Køleskabsafdelingen er udstyret med lågestativer, der er velegnede til opbevaring af væsker på dåse, drikkevarer på flaske og emballeret mad. Anbring ikke store mængder tunge fødevarer og genstande bag lågestativerne.

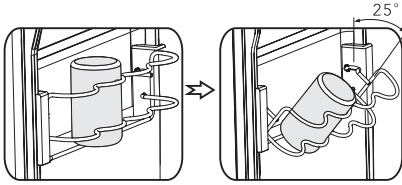
- Det midterste lågestativ er udformet, så det kan justeres i forskellige højder alt efter behov. Tøm stativet, før det løftes op og tages du. Sæt derefter stativet på plads igen i den ønskede højde.

**Bemærk:** Den medfølgende æggebakke skal anbringes i det øverste stativ.



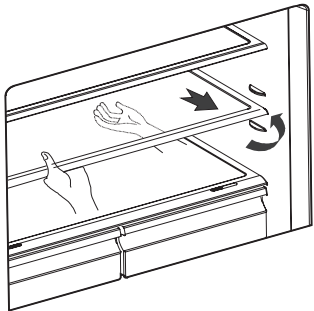
### 7.3 Stativ til beholdere

- Dette stativ kan rumme op til 4 beholdere i standardstørrelse, men den er ikke egnet til beholdere med en diameter mindre end 50 mm. Stativet kan om nødvendigt også drejes 25° langs hylden for at lette opbevaringen eller for at opbevare drikkevarer.

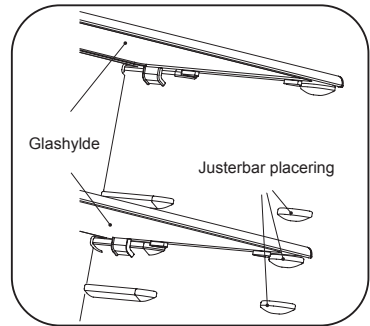


### 7.4 Glashylder

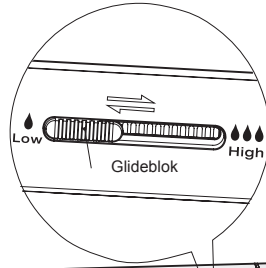
Køleskabsafdelingen er forsynet med glashylder. Den øverste hyldes er udformet som en fast hyldes, og den nederste hyldes er justerbar. Der er tre placeringsmuligheder for den nederste hyldes. Juster højden på hylden efter behov:



- Når hylderne tages ud, skal du forsigtigt trække dem frem, indtil de slipper styreskinne.
- Når du sætter hylderne på plads, skal du sikre dig, at der ikke er nogen forhindringer bagved, og forsigtigt skubbe dem på plads.



### 7.5 Frugt- og grøntsagsskuffe og fugtighedskontrol



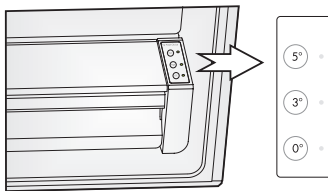
Frugt- og grøntsagsskuffen, der er monteret på teleskopskinne, er til opbevaring af grønsager og frugt. Du kan justere luftfugtigheden i den ved hjælp af glideblokken.

- Fugtighedskontrollen regulerer luftstrømmen i frugt- og grøntsagsskuffen. En større luftstrøm giver lavere luftfugtighed. Skub fugtighedskontrollen til højre for at øge luftfugtigheden.
- Høje luftfugtighedsindstillinger anbefales til grøntsager, mens en lav luftfugtighed er velegnet til opbevaring af frugt.
- Følg de enkle anvisninger til at tage frugt- og grøntsagsskuffen eller fryserskuffen ud for at rengøre dem.

Tøm frugt- og grøntsagsskuffen, og træk den helt ud i åben position. Løft frugt- og grøntsagsskuffen op fra de tværgående skinner. Skub skinnerne helt ind for at undgå skader, når lågen lukkes.

## 7.6 FERSKVAREZONE. Præcisionsstyring af temperaturen (ekstraudstyr)

Fødevarer kan holdes friske i længere perioder, når de opbevares ved deres optimale temperatur, men forskellige typer fødevarer kræver forskellige opbevaringstemperaturer. Der er et display på højre side af køleskuffen. Temperaturen i afdelingen kan indstilles til 0 °C, 3 °C og 5 °C, så den passer til enten kød, frugt og grøntsager eller til delikatesser, ved hjælp af knapperne "FERSKVAREZONE". Der henvises til nedenstående tabel for anbefalede indstillinger, som passer til dine behov for opbevaring.



Delikatesse- varer [5 °C]	Grøntsager [3 °C]	0 °C [0 °C]
Ost	Agurk	Steaks
Skinke	Salat	Fisk
Salami	Appelsiner	Pålæg
Oliven	Majs	Fjerkræ

## 7.7 Brug af køleskabsafdelingen

Køleskabsafdelingen er velegnet til opbevaring af grøntsager og frugt. Det anbefales at pakke forskellige fødevarer ind hver for sig for at undgå fugttab, eller at smagen trænger ind i andre fødevarer.



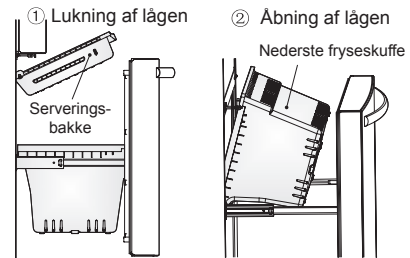
### FORSIGTIG!

Luk aldrig lågerne, mens hylderne, frugt- og grøntsagsskuffen og/eller teleskopskinnerne er trukket ud. Det kan beskadige enheden.

## 7.8 Brug af fryseskuffen

Fryseskuffen er velegnet til opbevaring af fødevarer, der skal være frosne, såsom kød, is osv.

For at fjerne fryseskuffen skal den trækkes helt ud, serveringsbakken vippes op og løftes ud, hvorefter køleskabslågerne åbnes til den maksimale vinkel, og den nederste fryseskuffe kan tages ud som vist på billederne herunder.



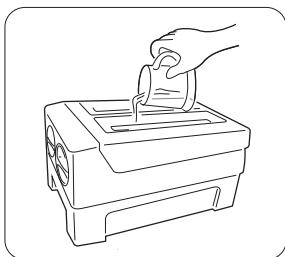
### FORSIGTIG!

Lad ikke spædbørn eller andre børn kravle ind i køleskabet, da de kan gøre skade på sig selv eller beskadige køleskabet. Undgå at sidde på fryserlågen. Døren kan gå i stykker. Lad ikke børn kravle ned i frysekurven.

Hvis du tager skillerummet ud for at rengøre kurven, skal du sætte skillerummet i igen efter rengøring for at forhindre børn i at sidde fast inde i kurven.

## 7.9 Drejelige isterningbakke

- Den drejelige isterningbakke sidder i den øverste fryseskuffe og kan tilberede og opbevare isterninger.
  - Fyld den med drikkevand til under maksimummærket.
  - Sæt den fyldte isterningbakke tilbage i holderen.
  - Vent i ca. 3 timer, drej knapperne med uret, og isterningerne vil falde ned i isterningboksen nedenunder.



- Isterninger kan opbevares i isterningboksen, og hvis du har brug for dem, kan du trække isterningboksen ud og tage dem ud.

**Bemærk:** Hvis isterningbakken bruges for første gang eller ikke har været brugt i længere tid, skal du rengøre den inden brug.

## 8. NYTTIGE OPLYSNINGER OG RÅD

### 8.1 Energispareråd

Vi anbefaler, at du følger nedenstående tip for at spare på strømmen.

- Undgå at lade lågen stå åben i længere tid ad gangen for at spare på strømmen.
- Sørg for, at produktet er på afstand af varmekilder (direkte sollys, elektrisk ovn eller komfur osv.).
- Indstil ikke en koldere temperatur end nødvendigt.
- Opbevar ikke dampende varm mad eller drikke i produktet.
- Placer produktet i et rum med god ventilation og uden høj luftfugtighed. Der henvises til kapitlet Montering af dit nye produkt.
- Grafisk oversigt 1 under "Beskrivelse af produktet" viser den korrekte placering af skuffer, frugt- og grøntsagsskuffe og hylder. Undlad at justere ikke denne kombination, da den er designet til at være den mest energieffektive konfiguration.

#### Råd om køling af friske madvarer

- Stil ikke varm mad direkte ind i køleskabet eller i fryseren. Den indre temperatur vil stige og få kompressoren til at arbejde hårdere og dermed forbruge mere energi.
- Læg låg på maden, eller pak den ind, især hvis den lugter kraftigt.
- Anbring maden korrekt, så luften kan cirkulere frit rundt om den.

#### Råd om køling

- Kød (alle slags): Pakkes ind i plastposer og lægges på glashylden over grøntsagsskuffen. Overhold altid de fødevareropbevaringstider

og datoer for mindst holdbar til, der anbefales af producenterne.

- Tilberedt mad, pålæg osv.: Skal pakkes ind og kan stilles på alle hylder.
- Frugt og grønt: Skal opbevares i den specielle, medfølgende skuffe.
- Smør og ost: Skal være indpakket i lufttæt folie eller husholdningsfilm.
- Mælkekartoner: Skal have låg på og opbevares i stativerne i lågen.

### 8.2 Råd om frysning

- Når produktet tændes for første gang eller igen efter en længere periode, hvor det ikke har været anvendt, skal det køre i mindst 2 timer på højere indstillinger, inden der lægges madvarer ind i afdelingen.
- Del maden op i små portioner, så den indfryses hurtigt og jævnt. Så kan du også hurtigt optø netop den mængde, du skal bruge.
- Pak maden ind i lufttæt alufolie eller husholdningsfilm.
- Lad ikke friske, ikke-nedfrosne madvarer ligge op ad frostvarer, så temperaturen i disse stiger.
- Isprodukter, der indtages direkte fra frostrummet, kan eventuelt give forfrysninger på huden.
- Det anbefales at mærke og angive tidspunkt på de enkelte frostpakker for at holde styr på opbevaringstiden.



### Tip til opbevaring af frostvarer

- Sørg for, at frostvarer er opbevaret korrekt hos fødevarerforhandleren
- Når de er optøet, fordærvses fødevarerne hurtigt og må ikke fryses ned igen. Overskrid ikke udløbsdatoen på pakken.

## 8.3 Sådan slukkes produktet

Hvis produktet skal være slukket i en længere periode, bør følgende foranstaltninger udføres for at undgå mug på produktet.

1. Tag al maden ud.
2. Tag strømstikket ud af kontakten.
3. Rengør og tør produktet grundigt indvendigt.
4. Sørg for, at alle låger er åbnet en anelse med kiler, så luften kan cirkulere.

## 9. RENGØRING OG VEDLIGEHOLDELSE

Af hygiejniske årsager bør produktet (herunder udvendigt og indvendigt tilbehør) rengøres jævnligt og mindst hver anden måned.



### FORSIGTIG!

Apparatet må ikke tilsluttes til lysnettet under rengøringen. Fare for elektrisk stød! Sluk for produktet, og tag stikket ud af stikkontakten, før rengøring udføres.

### 9.1 Udvendig rengøring

For at opretholde produktets pæne ydre, bør du rengøre det regelmæssigt.

- Tør det digitale panel og displaypanelet af med en ren, blød klud.
- Sprøjt vand på kluden i stedet for at sprøjte direkte på produktets overflade. Dette sikrer en jævn fordeling af fugten på overfladen.
- Rengør lågerne, håndtagene og kabinettets overflader med et mildt rengøringsmiddel, og tør det derefter af med en blød klud.



### FORSIGTIG!

- Brug ikke skarpe genstande, da de sandsynligvis vil ridse overfladen.
- Brug ikke fortynder, bilvaskemiddel, Clorox, æterisk olie, slibende rengøringsmidler eller organiske opløsningsmidler som f.eks. benzen til rengøringen. De kan beskadige produktets overflade og forårsage brand.

### 9.2 Indvendig rengøring

- Rengør produktets indvendige dele jævnligt. Det er lettere at rengøre, når der ikke er så mange fødevarer i produktet. Tør indersiden af køle-/fryseskabet med en let natronopløsning, og skyl derefter opløsningen af med en opvredet svamp eller klud med varmt vand. Tør produktet helt af, inden hylder og kurve monteres igen. Alle overflader og aftagelige dele tørres grundigt af.
- Selv om produktet afrimer automatisk, kan der forekomme et lag rim på fryseafdelingens indvendige vægge, hvis fryserens låge åbnes hyppigt eller holdes åben for længe. Hvis rimen er for tyk, vælges et tidspunkt, hvor produktet ikke indeholder så mange frostvarer, og følgende anvisninger følges:

1. Fjern eksisterende fødevarer og tilbehørskurve, afbryd produktet fra lysnettet, og lad lågerne stå åbne. Udluft rummet grundigt for at fremskynde optøningsprocessen.
2. Når afrimningen er afsluttet, rengøres fryseren som beskrevet ovenfor.



### FORSIGTIG!

Brug ikke skarpe genstande til at skrabe rim af fryserummet. Først når de indvendige dele er helt tørre, bør produktet tændes igen, og stikket sættes tilbage i stikkontakten.

### 9.3 Rengøring af lågernes tætningslister

Sørg for at holde lågernes tætningslister rene. Fedt fra fødevarer og drikkevarer kan få tætningslisterne til at sidde fast i kabinettet og rive dem i stykker, når du åbner døren. Vask tætningslisterne med et mildt rengøringsmiddel og varmt vand. Skyl og tør dem grundigt af efter rengøring.



#### FORSIGTIG!

Først når lågens tætningslister er helt tørre, må produktet tændes.



#### ADVARSEL!

LED-indikatoren må ikke udskiftes af brugeren! Hvis LED-indikatoren er beskadiget, skal du kontakte kundeservice for at få hjælp.

## 10. FEJLFINDING

Hvis du oplever et problem med produktet eller er bekymret for, om produktet ikke fungerer korrekt, kan du foretage nogle nemme eftersyn, inden du ringer efter service. Se nedenfor. Du kan foretage nogle nemme eftersyn, som angivet i dette afsnit, før du ringer efter service.



#### ADVARSEL!

Forsøg ikke selv at reparere produktet. Hvis problemet fortsætter, efter du har foretaget de eftersyn, der er nævnt nedenfor, skal du kontakte en faguddannet elektriker, en autoriseret servicetekniker eller den butik, hvor du har købt produktet.

Fejl	Mulig årsag og løsning
Produktet fungerer ikke korrekt	Kontroller, om netledningen sidder korrekt i stikkontakten.
	Kontroller strømforsyningens sikring eller kredsløb, udskift om nødvendigt.
	Det er normalt, at fryseren ikke fungerer under den automatiske afrimningscyklus eller i en kort periode, efter produktet tændes, for at beskytte kompressoren.
Lugt fra afdelingerne	Køleskabets indvendige dele skal muligvis rengøres.
	Fødevarer, beholdere eller emballage medfører lugtgener.
Støj fra produktet	De lyde, der er nævnt nedenfor, er helt normale: Støj fra kompressoren, der kører. <ul style="list-style-type: none"> <li>• Luftbevægelsesstøj fra den lille ventilatormotor i fryseafdelingen eller andre afdelinger.</li> <li>• Gurglende lyd svarende til vand, der koger.</li> <li>• Smældende lyd under automatisk afrimning.</li> <li>• Klikkende lyd, inden kompressoren starter.</li> </ul>
	Andre usædvanlige lyde forekommer af nedenstående årsager og vil muligvis kræve, at du skal undersøge det eller foretage en handling: Produktet står ikke i vater. Bagsiden af produktet er i kontakt med væggen. Flasker eller beholdere er faldet eller ruller rundt.



Motoren kører hele tiden	<p>Det er normalt, at lyden fra motoren jævnligt kan høres, og den vil skulle køre mere i følgende tilfælde:</p> <ul style="list-style-type: none"> <li>• Temperaturindstillingen er indstillet koldere end nødvendigt</li> <li>• En større mængde varm mad er for nylig sat ind i produktet.</li> <li>• Temperaturen uden for produktet er for høj.</li> <li>• Lågerne har været åbne i en længere periode.</li> <li>• Efter du har installeret produktet, eller det har været slukket i længere tid.</li> </ul>
Et lag rim opstår i afdelingen	<p>Kontroller, at luftafgangene ikke bliver blokeret af fødevarer, og sørg for, at fødevarerne er anbragt på en måde inde i produktet, så der er tilstrækkelig ventilation. Sørg for, at lågen er helt lukket. Læs afsnittet "Rengøring og vedligeholdelse", hvori det angives, hvordan rimen fjernes.</p>
For varm temperatur inde i produktet	<p>Du har muligvis efterladt lågerne åbne i for lang tid eller for ofte, eller lågerne holdes åbne af nogle forhindringer, eller produktet er placeret med utilstrækkelig frigang i siderne, bagpå eller i toppen.</p>
For kold temperatur inde i produktet	<p>Hæv temperaturen i overensstemmelse med kapitlet "Betjeningsenheder i displayet".</p>
Lågerne er ikke nemme at lukke	<p>Kontrollér, om toppen af køleskabet er vipet 10-15 mm tilbage, så lågerne kan lukke af sig selv, eller om noget indeni forhindrer lågerne i at lukke.</p>
Der drypper vand ned på gulvet	<p>Vandopsamlingsbakken (der er placeret bag på og i bunden af kabinettet) er muligvis ikke korrekt i vater, eller drænrøret (der er placeret under toppen af kompressorens ophæng) er muligvis ikke korrekt placeret til at kunne lede vandet ned i bakken, eller vandudløbet er tilstoppet. Du vil eventuelt skulle trække køleskab væk fra væggen for at kontrollere bakken og udløbet.</p>
Køle-/fryseskabspæren virker ikke	<p>LED-pæren kan være beskadiget. Se i rengørings- og vedligeholdelseskapitlet, hvordan LED-pæren udskiftes. Kontrolsystemet har deaktiveret lyset, fordi lågen har været åben for længe. Luk lågen, og åbn den igen for at genaktivere lyset.</p>
Lågerne kan ikke åbnes nemt	<p>Kontroller lågens tætningsliste, og rengør om nødvendigt gummipakningen rundt i kanten af lågen med opvaskemiddel og varmt vand. Skidt og snavs kan samles her og få køleskabslågen til at sidde fast.</p>

## 11. BORTSKAFFELSE AF PRODUKTET

Køleskabet er bygget af genbrugsmaterialer. Det skal bortskaffes i overensstemmelse med gældende, lokale retningslinjer for bortskaffelse af affald. Produktet indeholder en lille mængde kølemiddel (R600a) i kølemiddelkredsløbet. For din sikkerheds skyld henvises til afsnittet "Kølemidlet og risikoen for brand" i

denne brugervejledning, før produktet kasseres. Klip strømledningen af for at gøre køleskabet ubrugeligt, og afmonter lågens tætningsliste og lås. Vær forsigtig med kølesystemet, og forvold ikke skade på det ved at punktere kølemiddelbeholderen og/eller bøje rørene og/eller ridse overfladebelægningen.

### Korrekt bortskaffelse af dette produkt



Dette symbol på produktet eller dets emballage betyder, at dette produkt ikke kan behandles som husholdningsaffald. Det skal i stedet bringes hen til en dertil beregnet genbrugsstation for elektrisk og elektronisk udstyr. Ved at sikre, at dette produkt bliver skrottet korrekt, hjælper man med til at forhindre potentielle, negative konsekvenser for miljøet og folkesundheden, der kunne opstå gennem uhensigtsmæssig bortskaffelse af dette produkt. For yderligere oplysninger om håndtering, genvinding og genbrug af dette produkt bedes du kontakte de lokale myndigheder, renovationsselskabet eller forretningen, hvor produktet er købt.

## 12. TEKNISKE DATA

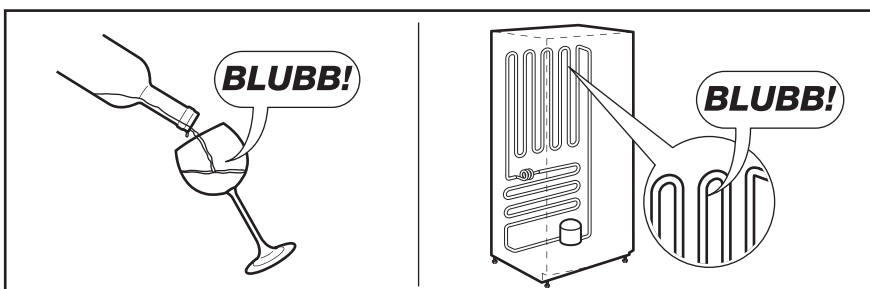
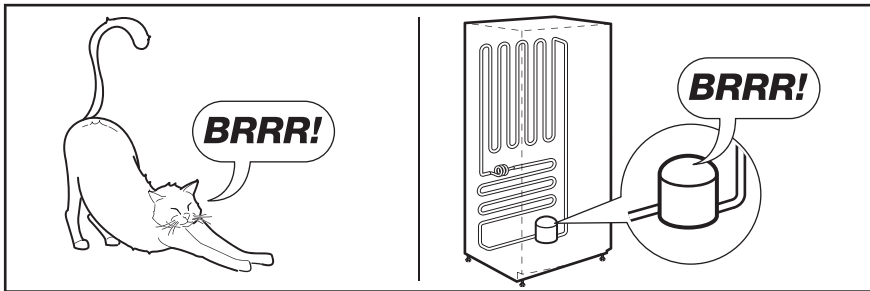
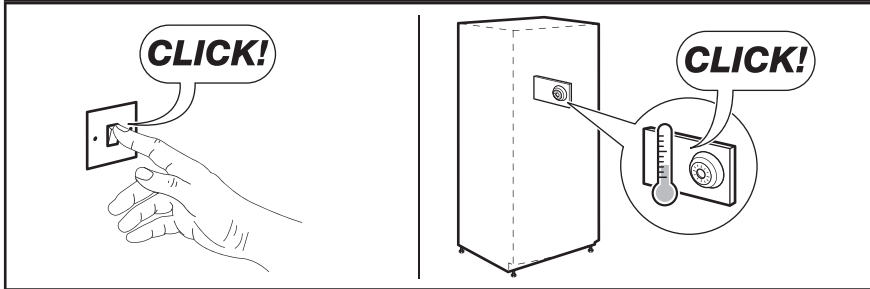
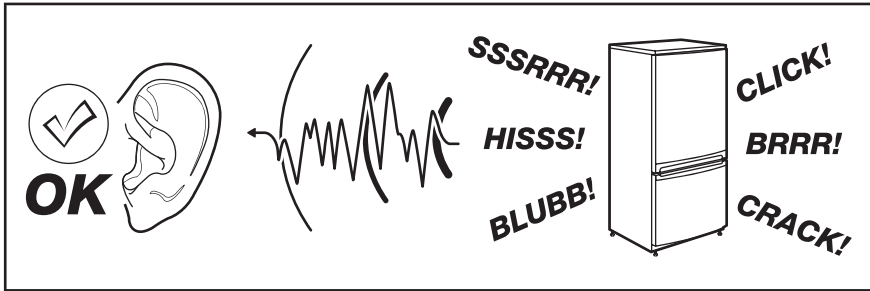
Mål	
Højde	1.766 mm
Bredde	912 mm
Dybde	765 mm
Temperaturstigningstid	12 t
Spænding	220-240 V
Frekvens	50 Hz

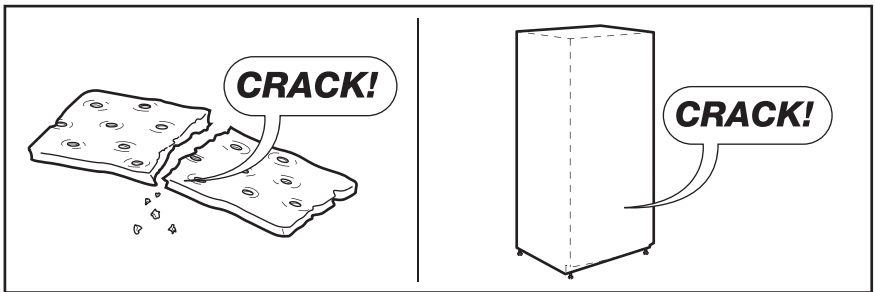
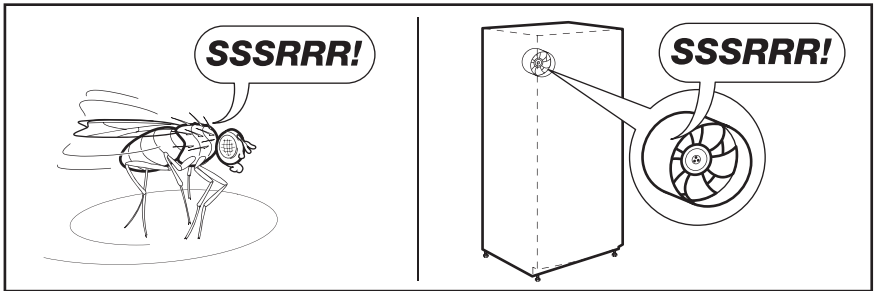
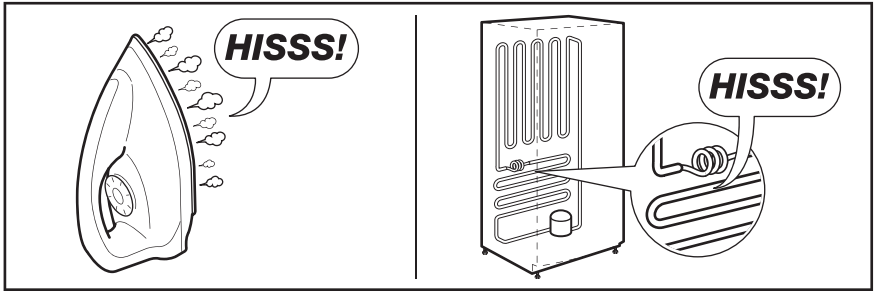
De tekniske specifikationer fremgår af typeskiltet indvendig i apparatet, på venstre væg, samt af energimærket.



# 13. STØJ

Der kommer lyde under normal drift  
(kompressor, kølekredsløb).







# SISÄLLYS

1. TIETOJA TURVALLISUUDESTA.....	271
2. TURVALLISUUSOHJEET .....	272
3. YMPÄRISTÖNSUOJELU .....	273
4. LAITTEEN KUVAUS.....	274
5. UUDEN LAITTEEN ASENTAMINEN.....	276
6. NÄYTÖN SÄÄTIMET .....	278
7. LAITTEEN KÄYTTÖ.....	280
8. HYÖDYLLISIÄ NEUVOJA JA VINKKEJÄ.....	284
9. PUHDISTUS JA KUNNOSSAPITO .....	285
10. VIANMÄÄRITYS.....	286
11. LAITTEEN KÄYTÖSTÄPOISTO JA HÄVITTÄMINEN.....	288
12. TEKNISET TIEDOT.....	288
13. ÄÄNET .....	289

## TÄYDELLISTEN TULOSTEN SAAVUTTAMISEKSI

Kiitos, että valitsit tämän Electrolux-tuotteen. Olemme kehittäneet tämän tuotteen tarjotaksemme teille huipputason suorituskyvyn moneksi vuodeksi. Laitteen innovatiiviset teknologiat tekevät elämästänne yksinkertaisempaa – kyseisiä ominaisuuksia ei välttämättä löydy tavallisista laitteista. Käyttäkää muutama minuutti lukemiseen, jotta voitte hyödyntää laitteen ominaisuudet parhaalla mahdollisella tavalla.

### Vieraile verkkosivullamme:



Käyttövinkit, esitteet, vianmääritys, huoltotiedot:  
[www.electrolux.com](http://www.electrolux.com)



Saat parempaa huoltoa, jos rekisteröit tuotteen:  
[www.electrolux.com/productregistration](http://www.electrolux.com/productregistration)



Osta lisävarusteita, kulutusosia ja alkuperäisiä varaosia:  
[www.electrolux.com/shop](http://www.electrolux.com/shop)

## ASIAKASPALVELU JA HUOLTO

Käytä aina alkuperäisiä varaosia.

Pidä seuraavat tiedot saatavilla, kun otat yhteyttä valtuutettuun huoltopalveluun:  
malli, tuotenumero, sarjanumero.

Kyseiset tiedot löytyvät laitteen arvokilvestä.



Varoitukset/huomautukset ja turvallisuusohjeet.



Yleisohjeet ja vinkit



Ympäristönsuojeluohjeita.

Oikeus muutoksiin pidätetään ilman erillistä ilmoitusta.



# 1. TIETOJA TURVALLISUUDESTA

Lue laitteen mukana toimitetut ohjeet ennen laitteen asennusta ja käyttöä. Valmistaja ei ota vastuuta henkilö- tai omaisuusvahingoista, jotka aiheutuvat laitteen virheellisestä asennuksesta tai käytöstä. Pidä ohjeet aina laitteen mukana tulevia käyttökertoja varten.

## 1.1 Lasten ja taitamattomien henkilöiden turvallisuus

- Yli 8-vuotiaat lapset ja henkilöt, joilla on fyysisiä, aistillisia tai henkisiä puutteita tai puutteellinen kokemus ja tuntemus, voivat käyttää tätä laitetta, jos heitä on valvottu tai ohjattu laitteen turvallisessa käytössä ja he ymmärtävät laitteen käyttöön liittyvät vaarat.
- Älä anna lasten leikkiä laitteella.
- Lapset eivät saa suorittaa puhdistusta tai huoltoa ilman valvontaa.
- Pidä kaikki pakkausmateriaalit lasten ulottumattomissa.

## 1.2 Yleiset turvallisuusohjeet

- Laite on tarkoitettu käytettäväksi kotiympäristöissä ja vastaavissa ympäristöissä, kuten:
  - maatalot, henkilöstön keittiöympäristöt liikkeissä, toimistoissa ja muissa työympäristöissä
  - hotellien, motellien, majoitus ja aamiainen -ympäristöjen ja muiden majatalojen asiakkaiden käyttöympäristöt
- Pidä kalusteeseen asennetun laitteen syvennyksen tai kalustekaapin ilmanvaihtoaukot vapaina.
- Älä yritä nopeuttaa sulatusta mekaanisilla tai muilla sellaisilla välineillä, joita valmistaja ei ole neuvonut käyttämään.
- Varo, ettei jäähdytysputkisto vaurioidu.
- Älä käytä sähkölaitteita elintarvikkeiden säilytystiloissa, elleivät ne ole valmistajan suosittelemaa tyyppiä.
- Älä suihkuta vettä tai käytä höyryä laitteen puhdistamiseen.
- Puhdista laite kostealla pehmeällä liinalla. Käytä vain mietoja puhdistusaineita. Älä käytä hankausainetta, hankaavia pesulappuja, liuottimia tai metalliesineitä.
- Älä säilytä tässä laitteessa räjähdysherkkiä aineita, kuten aerosolitölkkejä.

- Jos virtajohto vaurioituu, sen saa vaaratilanteiden välttämiseksi vaihtaa vain valmistaja, huoltoliike tai vastaava ammattitaitoinen henkilö.
- Jos laitteessa on jääpalakone tai vesiautomaatti, täytä se juomavedellä.
- Jos laitteessa on oltava vesiliitäntä, liitä se vesiverkkoon.
- Tulovedenpaineen on oltava välillä 1 bar (0,1 MPa) ja 10 bar (1 MPa) (minimi- ja maksimiarvo)

## 2. TURVALLISUUSOHJEET

### 2.1 Asennus



#### **VAROITUS!**

Asennuksen saa suorittaa vain ammattitaitoinen henkilö.

- Poista kaikki pakkausmateriaalit.
- Vaurioitunutta laitetta ei saa asentaa tai käyttää.
- Noudata koneen mukana toimitettuja ohjeita.
- Siirrä laitetta aina varoen, sillä se on raskas. Käytä aina suojakäsineitä.
- Varmista, että ilmankierto on hyvä laitteen ympärillä.
- Odota vähintään 4 tuntia ennen kuin kytket laitteen sähköverkkoon. Täten öljy virtaa takaisin kompressoriin.
- Älä asenna laitetta lämmittimien tai liesien, uunin tai keittotasojen lähelle.
- Laitteen takaosa on asetettava seinää kohten.
- Laitetta ei saa asentaa suoraan auringonvaloon.
- Älä asenna laitetta liian kosteaan tai kylmään paikkaan, kuten vajaan, autotalliin tai viinikellariin.
- Kun siirrät laitetta, nosta sitä etureunasta, jotta naarmuta lattiaa.

### 2.2 Sähköliitäntä



#### **VAROITUS!**

Tulipalo- ja sähköiskuvaara.

- Laite on kytkettävä maadoitettuun pistorasiaan.
- Varmista, että arvokilven sähkökiedot vastaavat kotitalouden sähköverkon arvoja. Ota muussa tapauksessa yhteyttä sähköasentajaan.
- Käytä aina oikein asennettua iskunkestävää pistorasiaa.
- Älä käytä jakorasioita tai jatkojohtoja.
- Varmista, etteivät sähköosat vaurioidu (esim. pistoke, virtajohto, kompressori). Ota yhteyttä huoltopalveluun tai sähköasentajaan sähköosien vaihtamiseksi.
- Virtajohdon on oltava aina pistokkeen alapuolella. Kytke pistoke pistorasiaan vasta asennuksen jälkeen. Varmista, että laitteen verkkovirtakytkentä on ulottuvilla laitteen asennuksen jälkeen. Älä vedä virtajohdosta pistoketta irrottaessasi. Vedä aina pistokkeesta.



## 2.3 Käyttö



### **VAROITUS!**

Henkilövahinkojen, palovammojen tai sähköiskujen tai tulipalon vaara.

- Älä muuta laitteen teknisiä ominaisuuksia.
- Älä aseta sähkölaitteita (esim. jäätelokoneita) laitteeseen, ellei valmistaja ole antanut lupaa niiden käyttöön.
- Varo, ettei jäähdytysputkisto vaurioidu. Se sisältää isobutaania (R600a), joka on hyvin ympäristöön yhteensopiva maakaasu. Kyseinen kaasu on syttyvää.
- Jos jäähdytysputkisto vaurioituu, varmista, ettei huoneessa ole avotulta ja sytytysläheteitä. Huolehdi hyvästä ilmanvaihdesta.
- Älä anna kuumien esineiden koskea laitteen muoviosia.
- Älä aseta hiilihappoa sisältäviä juomia pakastimeen. Muutoin juomasäiliöön muodostuu painetta.
- Älä säilytä tulenarkoja kaasuja tai nesteitä laitteessa.
- Älä aseta laitteeseen, sen lähelle tai päälle syttyviä tuotteita tai syttyviin tuotteisiin kostutettuja esineitä.
- Älä kosketa kompressorin tai lauhduttimeen. Ne ovat kuumia.
- Älä poista pakastimen tuotteita tai kosketa niihin, jos kätesi ovat märät tai kosteat.
- Älä pakasta uudelleen jo sulaneita elintarvikkeita.
- Noudata pakasteiden pakkauksessa olevia säilytysohjeita.

## 2.4 Sisävalo

- Tämän laitteen lamppu ei sovi huoneiden valaistukseen.

## 2.5 Hoito ja puhdistus



### **VAROITUS!**

Virheellinen käyttö voi aiheuttaa henkilövahinkoja tai laitteen vaurioitumisen.

- Ennen kuin aloitat huollon tai puhdistuksen, kytke laite pois toiminnasta ja irrota pistoke pistorasiasta.
- Laitteen jäähdytysyksikkö sisältää hiilivetyä. Ainoastaan pätevä alan ammattilainen saa huoltaa yksikköä ja täyttää sen uudelleen.
- Tarkista laitteen sulamisveden poistoaukko säännöllisesti ja puhdista se tarvittaessa. Jos poistoaukko on tukossa, sulanut vesi kerääntyy laitteen pohjalle.

## 2.6 Hävittäminen




### **VAROITUS!**


Henkilövahinko- tai tukehtumisvaara.

- Irrota pistoke pistorasiasta.
- Leikkaa virtajohto irti ja hävitä se.
- Irrota ovi, jotta lapset ja eläimet eivät voisi jäädä kiinni laitteen sisälle.
- Tämän laitteen jäähdytysputkistossa ja eristysmateriaaleissa ei ole otsonikerrokselle haitallisia aineita.
- Eristevaahto sisältää tulenarkaa kaasua. Kysy lisätietoa laitteen oikeaoppisesta hävittämisestä paikalliselta viranomaiselta.
- Älä vaurioita lämmönvaihtimen lähellä olevaa jääkaapin osaa.

## 3. YMPÄRISTÖNSUOJELU

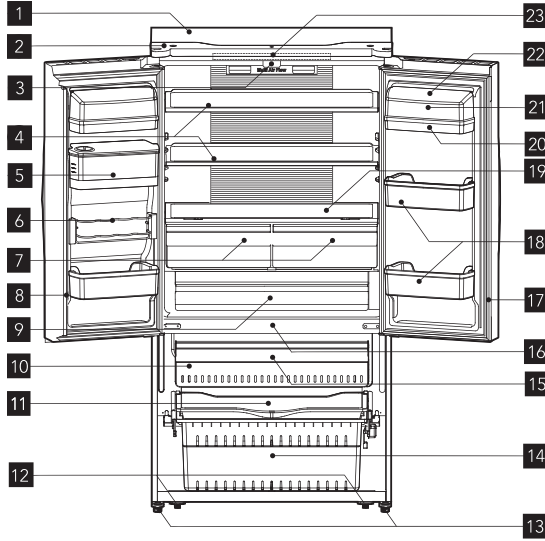
Kierrätä materiaalit, jotka on merkitty merkillä .

Kierrätä pakkaus asettamalla se asianmukaiseen kierrätysastiaan. Suojele ympäristöä ja ihmisten terveyttä kierrättämällä sähkö- ja

elektroniikkaromut. Älä hävitä merkillä  merkittyjä kodinkoneita kotitalousjätteen mukana. Palauta tuote paikalliseen kierrätyskeskukseen tai ota yhteyttä paikalliseen viranomaiseen.

## 4. LAITTEEN KUVAUS

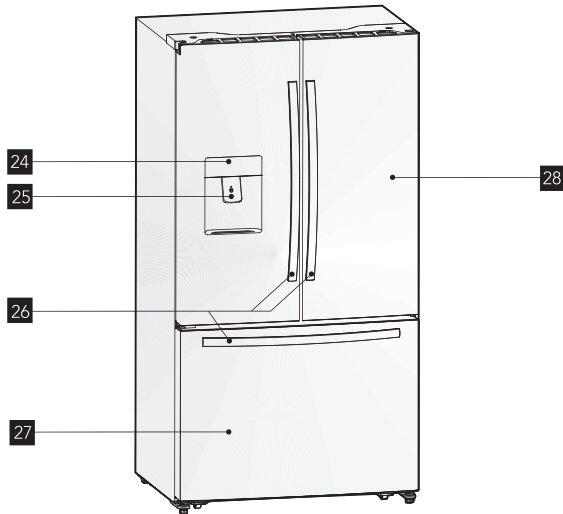
### 4.1 Laitekuva 1



- |  |   |
|--|---|
| <b>1</b> Kotelo  | <b>12</b> Rullat                        |
| <b>2</b> Yläsuoja  | <b>13</b> Säätojalat                    |
| <b>3</b> Pystylamellin ohjain                            | <b>14</b> Pakastimen alalaatikko        |
| <b>4</b> Lasihylly                                       | <b>15</b> Pakastimen ylälaatikko        |
| <b>5</b> Vesilaatikko                                    | <b>16</b> Pakastimen LED-valo (sisällä) |
| <b>6</b> Esiin käännettävä<br>virvoitusjuomatölkkiteline | <b>17</b> Jääkaapin ovitiiviste         |
| <b>7</b> Hedelmä- ja vihanneslaatikko                    | <b>18</b> Alateline                     |
| <b>8</b> Pystylamelli                                    | <b>19</b> Vihanneslaatikon kansi        |
| <b>9</b> Tuoresäilytyslaatikko                           | <b>20</b> Yläteline                     |
| <b>10</b> Kierrettävä jääpala-astia (sisällä)            | <b>21</b> Kanamunalokero (sisällä)      |
| <b>11</b> Tarjotin                                       | <b>22</b> Telineen kansi                |
|  | <b>23</b> Jääkaapin LED-valo (sisällä)  |



## 4.2 Laitekuva 2



24 Näyttö

25 Kylmävesiautomaatti

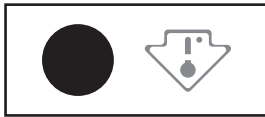
26 Kahvat

27 Pakastimen ovi

28 Jääkaapin ovi

**Huomautus:** Kehitämme tuotteitamme jatkuvasti, minkä johdosta jääkaappisi voi hieman poiketa kuvassa esitetyistä jääkaapista. Laitteen käyttö ja toiminnot ovat kuitenkin kuvattuna kaltaisia.

**Huomautus:** Jotta laitteen toiminta olisi mahdollisimman energiatehokasta, aseta kaikki hyllyt, laatikot ja korit niille tarkoitettuihin paikkoihin kuvan mukaisella tavalla.



Tämä laite on myynnissä Ranskassa. Maan määräysten mukaisesti jääkaapin alimpaan osastoon tulee kiinnittää erikoisväline (katso kuva), joka ilmaisee jääkaapin kylmimmän lämpötilan alueen.

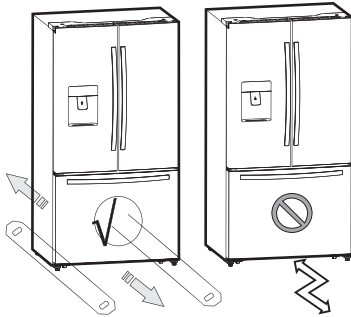
## 5. UUDEN LAITTEEN ASENTAMINEN

Tässä osiossa annetaan tärkeitä ohjeita uuden laitteesi asentamiseen ennen sen käyttöönottoa. Lue huolella seuraavat



### VAROITUS!

Jääkaappi tulee asentaa tasaiselle, kovalle alustalle, joka on samassa tasossa kuin muu lattia. Alustan tulee olla tarpeeksi vahva kantamaan täytettyä jääkaappia (paino n. 120 kg). Kun siirrät jääkaappia, varmista, että se pysyy suorassa. vinkit.



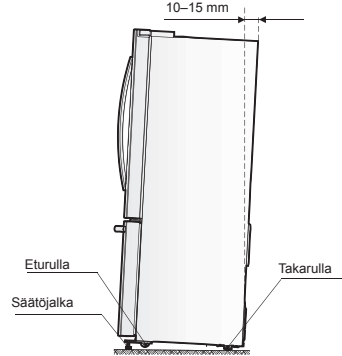
Luokka	Symboli	Ympäristön lämpötila (°C)
Viileän lauhkea	SN	+10...+32
Lauhkea	N	+16...+32
Subtrooppinen	ST	+16...+38
Trooppinen	P	+16...+43

### 5.1 Laitteen suoristaminen

Laitte on asetettava suoraan, jotta se ei pääse keikkumaan tai tärisemään. Suoristaminen onnistuu etuosan säätöjalkojen avulla. Säädä laite suoraan seuraavasti:

1. Rullaa jääkaappi paikalleen.
2. Käännä säätöjalkoja (käsin tai sopivan mutteriavaimen avulla), kunnes ne koskettavat lattiaa.
3. Kallista yläosaa taaksepäin noin 10–15 mm kääntämällä jalkoja vielä 1–2 kierrosta. Näin ovet pääsevät sulkeutumaan itsestään ja tiiviisti.

4. Jos sinun täytyy siirtää laitetta, muista kääntää jalat takaisin ylös, jotta laitteen rullaaminen onnistuu. Suorita laitteen siirtämisen jälkeen samat suoristustoimenpiteet.

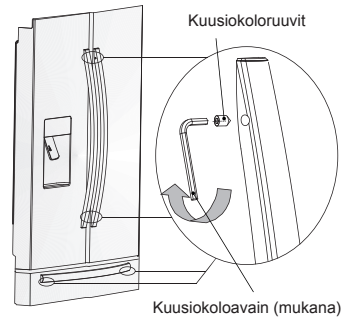


### VAROITUS!

Rullat eivät pyöri kaikkiin suuntiin. Niitä tulee käyttää vain siirrettäessä laitetta eteen- tai taaksepäin. Jos yrität siirtää laitetta sivusuunnassa, lattia ja rullat voivat vaurioitua.

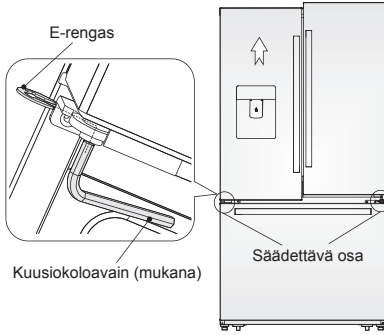
### 5.2 Oven kahvan säätäminen

Tarkista jääkaapin kahvat, ennen kuin otat laitteen käyttöön. Jos kahvat tuntuvat löysiltä, käännä niiden ruuveja kuusiokoloavaimella myötäpäivään, kunnes ne ovat tiukasti paikoillaan. Kummassakin kahvassa on kaksi ruuvia.



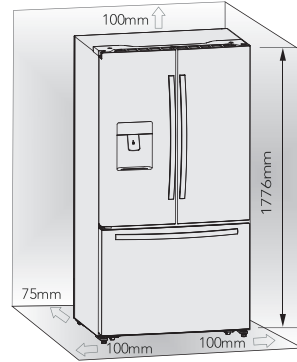
### 5.3 Ovien säätäminen

- Sekä vasemman- että oikeanpuoleista ovea voi säätää alemmista saranoista.
- Varmista ennen ovien säätämistä, että jääkaappi seisoo tasaisesti suorassa. Katso ohjeet edeltä kohdasta "Laitteen suoristaminen". Jos ovien ylälaidat eivät ole keskenään tasan, voit säätää korkeutta kuusiokoloavaimella. Aseta avain saranan säätökohtaan ja nosta ovea kääntämällä avainta myötäpäivään tai laske ovea kääntämällä avainta vastapäivään. Aseta E-rengas aukkoon.

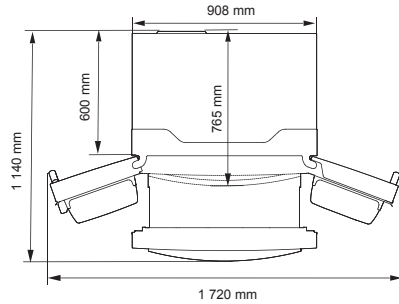


### 5.4 Laitteen ilmanvaihto

Jotta laitteen tuuletusjärjestelmä toimisi mahdollisimman hyvin ja energiaa säästyisi, on tärkeää huolehtia laitteen ilmanvaihdosta. Jääkaapin ympärille on jätettävä riittävästi tilaa, eikä sen lähellä saa olla esteitä, jotka saattaisivat vaikuttaa ilmankiertoon.



**Varmista** laitteen asianmukainen toiminta noudattamalla yllä esitettyjä mittasuosituksia.

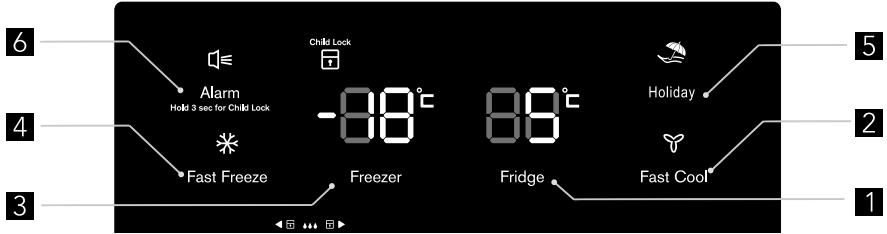


## 6. NÄYTÖN SÄÄTIMET

Laitteen kaikkia toimintoja pääsee käyttämään ohjauspaneelista, joka sijaitsee kätevästi jääkaapin ovesa. Asetusten määrittäminen sujuu helposti näppäimistön kosketuspainikkeiden ja digitaalisen näytön avulla.

**Tärkeää!** Kosketuspainikkeet toimivat lyhyestä painalluksesta. Toiminto suoritetaan, kun vapautat sormesi painikkeelta – ei siis sillä hetkellä, kun painat painiketta. Näppäimistöä ei tarvitse painaa voimakkaasti. "Alarm"-

painikkeeseen liitetty lapsilukko aktivoituu vasta pidemmästä kosketuksesta (vähintään kolme sekuntia). Katso lisätietoja tämän käyttöohjeen aiheeseen liittyvistä kohdista. Ohjauspaneelissa on kaksi lämpötila-aluetta, viisi tilakuvaketta ja kuusi kosketuspainiketta. Kun laitteeseen kytketään virta ensimmäisen kerran, näytön kuvakkeiden taustavalo syttyy. Jos mitään painiketta ei paineta ja ovet ovat kiinni, taustavalo sammuu 60 sekunnin kuluttua.



### Lämpötilan valvonta

Kun käynnistät laitteen ensimmäistä kertaa, suosittelemme asettamaan jääkaapin lämpötilaksi 5 °C ja pakastimen lämpötilaksi -18 °C. Jos haluat muuttaa lämpötilaa, noudata seuraavia ohjeita.

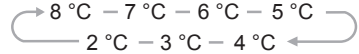


#### HUOMIO!

Asettamasi lämpötila määritetään koko jääkaapin keskilämpötilaksi. Eri osioiden lämpötilat voivat poiketa näytössä näkyvistä lämpötila-arvoista. Tämä riippuu siitä, paljonko elintarvikkeita jääkaapissa on ja mihin olet sijoittanut ne. Myös ympäristön lämpötila saattaa vaikuttaa lämpötilaan laitteen sisällä.

### 6.1 Fridge (jääkaappi)

Painamalla "Fridge"-painiketta toistuvasti voit asettaa jääkaapin lämpötilan välille 8–2 °C. Yksi painallus laskee lämpötilaa yhdellä celsiusasteella. Lämpötila näkyy näytössä seuraavan kierron mukaisesti.



### 6.2 Fast Cool (pikajäähdytys)

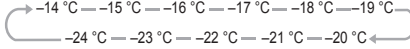


Jos asetat jääkaappiin paljon tuoreita elintarvikkeita, esimerkiksi kaupassakäynnin jälkeen, on suositeltavaa kytkeä pikajäähdytystoiminto, jotta tuotteet jäähtyvät nopeammin. Tällä tavoin voidaan välttää myös muiden jo jääkaapissa olevien elintarvikkeiden lämpeneminen.

- Aktivoi toiminto painamalla "Fast Cool"-painiketta. Jäähdytyksen merkivalo syttyy ja jääkaapin lämpötilanäytössä näkyy 2 °C.
- Pikajäähdytystoiminto kytkeytyy automaattisesti pois toiminnasta kuuden tunnin kuluttua.
- Jos haluat peruuttaa pikajäähdytyksen ja palauttaa aiemmat lämpötila-asetukset, paina "Fast Cool"- tai "Fridge"-painiketta.

### 6.3 Freezer (pakastin)

Painamalla "Freezer"-painiketta voit asettaa pakastimen lämpötilan välille  $-14\text{ °C}$ ... $-24\text{ °C}$ . Lämpötila näkyy näytössä seuraavan kierron mukaisesti.



### 6.4 Fast Freeze (pikapakastus)



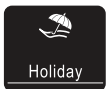
Pikapakastustoiminnolla pakastimen lämpötilaa pystyy laskemaan pikaisesti, jolloin elintarvikkeet pakastuvat huomattavasti tavallista nopeammin.

Aktivoi pikapakastustila painamalla "Fast Freeze" -painiketta. Pikapakastuksen merkkivalo syttyy ja pakastimen lämpötilanäytössä näkyy  $-24\text{ °C}$ .

- Kun käytät laitetta ensimmäistä kertaa tai pitkän tauon jälkeen, anna sen olla normaalissa tilassa kuuden tunnin ajan ennen pikapakastustoiminnon käyttämistä. Tämä on tärkeää erityisesti silloin, kun pakastimessa on runsaasti elintarvikkeita.
- Pikapakastustila kytkeytyy automaattisesti pois toiminnasta 26 tunnin käytön jälkeen, ja pakastimen lämpötila laskee alle  $-20\text{ °C}$ :n.
- Jos haluat peruuttaa pikapakastuksen ja palauttaa aiemmat lämpötila-asetukset, paina "Fast Freeze"- tai "Freezer"-painiketta.

**Huomaus:** Varmista ennen pikapakastustoiminnon käyttämistä, että pakastimessa ei ole juomapulloja tai -tölkkejä (etenkään hiilihappojuomia). Pullot ja tölkit saattavat räjähtää.

### 6.5 Holiday



Holiday-tila auttaa minimoimaan energiankulutuksen ja pienentämään sähkölaskuja, kun jääkaappi on pitkään

poissa käytöstä. Voit aktivoida tilan painamalla "Holiday"-painiketta, kunnes

merkkivalo syttyy.

**Tärkeää!** Varmista, että jääkaappi on tyhjä Holiday-tilan ollessa käytössä.

- Kun Holiday-tila on aktivoitu, jääkaappi minimoi energiankulutuksensa vaihtamalla lämpötilaksi automaattisesti  $15\text{ °C}$ . Lämpötilanäytössä näkyy "-". Pakastin pysyy toiminnassa.
- Jos haluat peruuttaa Holiday-tilan ja palauttaa aiemmat lämpötila-asetukset, paina "Holiday"-painiketta.

### 6.6 Alarm (hälytys)



Hälytystilanteessa "Alarm"-merkkivalo syttyy ja laitteesta alkaa kuulua suriseva ääni. Keskeytä hälytys ja ääni painamalla "Alarm"-painiketta. Merkkivalo sammuu.



#### HUOMIO!

Hälytys saattaa aktivoitua, kun jääkaappi käynnistetään uudelleen sen oltua jonkin aikaa käyttämättömänä. Peruuta hälytys painamalla "Alarm"-painiketta.

### Ovihälytys

Hälytysmerkkivalon syttyminen ja suriseva ääni ovat merkkejä epänormaaleista olosuhteista. Jääkaapin ovi on saattanut jäädä vahingossa auki tai laitteeseen on saattanut kohdistua sähkökatko.

- Ovihälytys ja äänimerkki aktivoituvat, jos jääkaapin tai pakastimen ovi on auki kauemmin kuin kahden minuutin ajan. Äänimerkki piippaa kolme kertaa minuutissa kymmenen minuutin ajan. Kun ovi suljetaan, merkkivalo ja äänimerkki sammuvat.
- Vältä pitämästä jääkaapin ja pakastimen ovia auki pitkiä aikoja, jotta energiahukkaa ei pääse syntymään. Ovihälytyksen voi peruuttaa myös sulkemalla ovet.

## Lämpötilahälytys

Tämä tärkeä toiminto varoittaa ruoan mahdollisesta pilaantumisesta. Jos laitteeseen kohdistuu sähkökatko (esimerkiksi koko asuinalueella, kun olet poissa kotoa), lämpötilahälyttimen muistiin tallentuu pakastimen lämpötila sillä hetkellä, kun virta jälleen palaa. Tämä on todennäköisesti pakasteiden saavuttama maksimilämpötila. Hälytysmerkkivalo ja äänimerkki kertovat, kun lämpötila nousee yli  $-9\text{ }^{\circ}\text{C}$ :n.

a) Hälytysmerkkivalo syttyy.  
b) Pakastimen lämpötilänäytössä näkyy "H".  
c) Äänimerkki piippaa kymmenen kertaa, kun hälytys käynnistyy, ja sammuu sitten automaattisesti.

## Lapsilukko



Aktivoi lapsilukko pitämällä "Alarm"-painiketta painettuna kolmen sekunnin ajan. Tämä lukitsee näytön siten, että asetuksia ei pysty muuttamaan vahingossa. Lapsilukon merkkivalo syttyy.

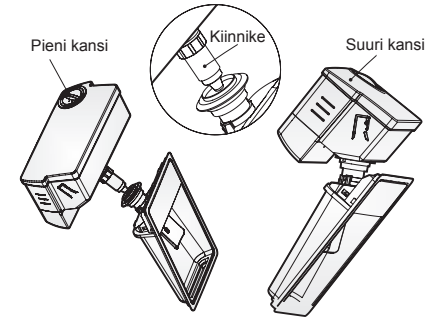
- Kytke lapsilukko pois toiminnasta painamalla "Alarm"-painiketta kolmen sekunnin ajan. Lapsilukon merkkivalo sammuu.

## 7. LAITTEEN KÄYTTÖ

### 7.1 Kylmävesiautomaatti

Jääkaapin vasemmanpuoleisessa ovessa sijaitsevaan kylmävesiautomaattiin voi säilöä juomavettä. Näin viileää vettä on saatavilla kätevästi ilman, että ovea tarvitsee avata.

- Puhdistus  
Puhdista kylmävesiautomaatti, ennen kuin käytät sitä ensimmäisen kerran.  
Vaihe 1: Irrota automaatti jääkaapista.  
Vaihe 2: Pese puhtaalla vedellä.  
Vaihe 3: Kuivaa.
- Kokoaminen  
Kokoa automaatti seuraavasti.
  1. Pidä tukevasti kiinni vesisäiliön kummastakin laidasta, nosta se ylös ja vedä se ulos ovesta.
  2. Kierä kiinnike auki vastapäivään.
  3. Aseta säiliö takaisin paikalleen oveen ja työnnä sitä, kunnes kuulet naksahduksen.



### VAROITUS!

Kun kiinnität vesisäiliön oveen, varmista ensin, että kiinnike osuu tarkasti paikalleen reikään.

### Veden lisääminen

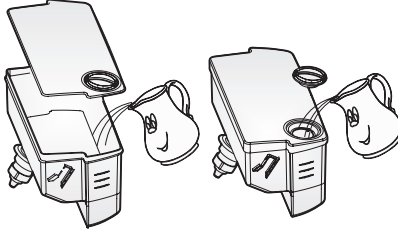
Varmista ennen veden lisäämistä, että säiliö on paikallaan vakaasti ja oikeassa asennossa. Jotta vesi ei pääse valumaan tai läikkymään yli, täytä säiliö vain maksimitason merkkiin asti (noin 4 l). Vesisäiliön voi täyttää kahdella tavalla:



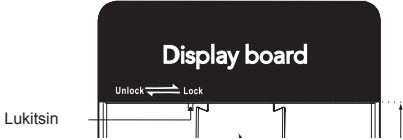
1. Irrota pieni kansi ja lisää vettä suuren kannen aukosta.
2. Irrota suuri kansi ja lisää vettä suoraan säiliöön.

**HUOMIO!**

Älä täytä säiliötä millään muulla nesteellä kuin vedellä.



- Lukitus  
Varmista ennen veden ottamista, että automaatti ei ole lukitusasennossa. Lukitsin löytyy näytön alta (ks. kuva):

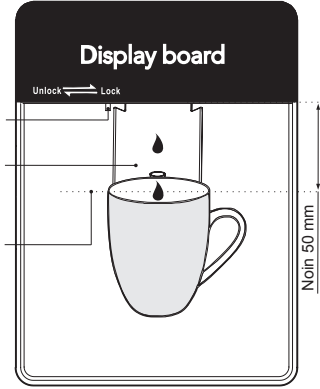
**VAROITUS!**

Lukitsin estää laitteen toiminnan. Älä paina automaatin kahvaa voimalla, kun automaatti on lukitusasennossa, jotta se ei mene rikki.

- Vesiautomaatin käyttö  
Aseta sopivan kokoinen lasi tai muki kylmävesiautomaatin alle.

**VAROITUS!**

Älä vedä automaatin kahvaa ulos, jos alla ei ole mukia, jotta vettä ei pääse läikkymään. Pidä vedensyöttölaite paikalleen asennettuna, kun vesiautomaatti on pois käytöstä, jotta kylmää ilmaa ei pääse vuotamaan ulos.



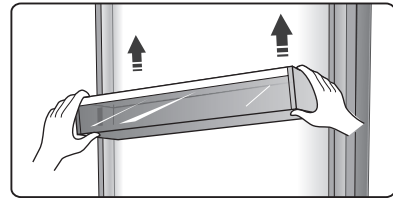
**Huomautus:** Jos vesiautomaattia käytetään jatkuvasti, alustalle saattaa kertyä niin paljon irtotippoja, että vesi läikkyy yli. Kuivaa alusta tarvittaessa pyyheliinalla.

## 7.2 Oviteline

Jääkaapin ovitelineissä voi säilyttää nestetölkkejä, juomapulloja ja ruokapakkauksia. Älä täytä ovitelineitä raskailla esineillä.

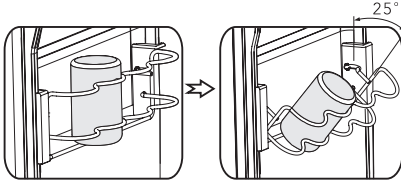
- Keskimmäisen ovitelineen korkeutta voi säätää tarpeen mukaan. Kun haluat siirtää telinettä, tyhjennä se ennen kuin nostat sen ylös. Aseta se sitten paikalleen haluamallasi korkeudelle.

**Huomautus:** Kananmunalokeron paikka on ylätelineessä.



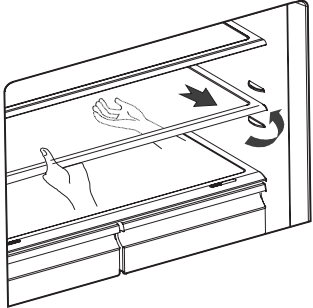
### 7.3 Virvoitusjuomatölkkilinet

- Telineeseen mahtuu neljä tavallisen kokoista juomatölkkiä. Se ei sovi tölkeille, joiden halkaisija on alle 50 mm. Telineettä voi kääntää hyllyssä 25 astetta, jolloin juomien lisääminen ja pois ottaminen helpottuu.

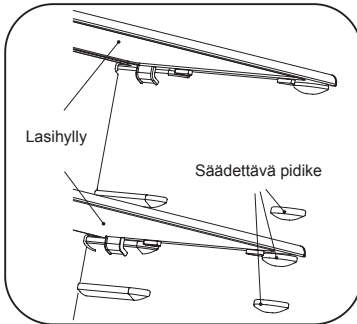


### 7.4 Lasihyllyt

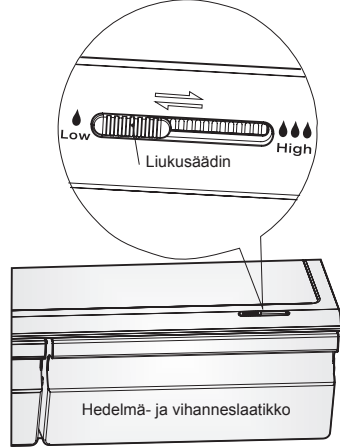
Jääkaapissa on kaksi lasihyllyä. Ylempi hyllyistä on kiinteä, mutta alemman hyllyn paikkaa voi säätää. Alemman hyllyn voi asettaa kolmeen eri kohtaan. Valitse sopiva korkeus tarpeesi mukaan:



- Irrota hylly vetämällä sitä kevyesti eteenpäin, kunnes se irtaoo pidikkeistä.
- Kun asetat hyllyn takaisin, varmista, että sen takana ei ole esteitä. Työnnä se varovasti paikalleen.



### 7.5 Vihanneslaatikko ja kosteuden säätö

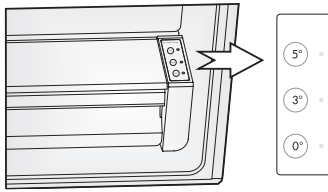


Vihanneslaatikko on asennettu teleskooppiohjainten varaan. Laatikko on suunniteltu nimenomaan vihannesten ja hedelmien säilyttämiseen. Voit säätää laatikon kosteutta liukusäätimen avulla.

- Säätimellä säädetään itse asiassa vihanneslaatikon ilmankiertoa: mitä nopeampi kierto, sitä vähemmän kosteutta. Kun haluat lisätä kosteutta, liu'uta kosteudensäädintä oikealle.
- Vihanneksille suositellaan korkeaa kosteusasetusta, kun taas hedelmät säilyvät paremmin vähemmän kosteassa laatikossa.
- Vihanneslaatikon ja pakastimen laatikon irrottaminen puhdistusta varten on helppoa. Tyhjennä laatikko ja vedä se niin pitkälle ulos kuin se tulee. Nosta laatikkoa sivuilla olevista ohjaimista. Työnnä ohjaimet kokonaan takaisin kaapin sisälle, jotta ne eivät vaurioidu, kun suljet oven.

## 7.6 FRESH ZONE – tarkka lämpötilan säädin (saatavilla lisävarusteena)

Ruoka säilyy raikkaana ja tuoreena pidempään, kun jääkaapin lämpötila on optimaalinen. Eri ruoka-aineet vaativat kuitenkin eri säilytyslämpötilan. Viileälokero näyttö on lokeron oikealla puolella. Lokeron lämpötilaa voi säätää "FRESH ZONE" -painikkeilla. Lämpötilaksi voi valita joko 0 °C, 3 °C tai 5 °C sen mukaan, säilytetäänkö lokerossa lihaa, hedelmiä ja vihanneksia vai delituotteita. Katso lämpötilan suositusasetukset seuraavasta taulukosta.



Deli [5 °C]	Vihann. [3 °C]	Liha [0 °C]
Juusto	Kurkku	Pihvit
Kinkku	Lehtisalaatti	Kala
Salami	Appelsiinit	Leikkeleet
Oliivit	Maissi	Linnut

## 7.7 Jääkaapin laatikon käyttö

Jääkaapin laatikko sopii vihannesten ja hedelmien säilyttämiseen. Pidä eri ruoka-aineet erillisissä tiiviissä pakkauksissa, jotta niistä ei haihdu kosteutta tai tuoksujia, jotka voivat tarttua muihin ruokiin.



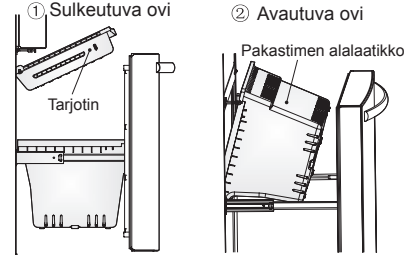
### HUOMIO!

Älä sulje ovia, jos hyllyt, vihanneslaatikko ja/tai teleskooppiohjaimet eivät ole paikoillaan. Muutoin laite voi vaurioitua.

## 7.8 Pakastimen laatikon käyttö

Pakastimen laatikko on tarkoitettu pakastettavan ruoan (liha, jäätelö jne.) säilyttämiseen.

Kun haluat irrottaa pakastimen laatikon, vedä se kokonaan ulos. Kallista sitten tarjotinta ja nosta se pois paikaltaan. Kun avaat jääkaapin ovet maksimikulmaan, saat otettua pakastimen alalaatikon ulos. (Katso seuraavat kuvat.)



### HUOMIO!

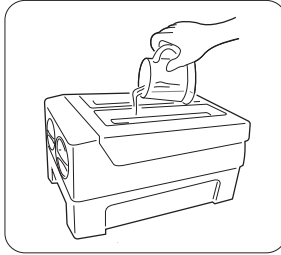
Älä päästä vauvoja tai lapsia kiipeämään jääkaapin sisään. He saattavat loukata itsensä tai vahingoittaa jääkaappia. Älä istu jääkaapin oven päällä. Ovi voi rikkoutua. Älä anna lasten kiivetä pakastimen koriin.

Jos irrotat jakajan korin puhdistamista varten, muista asentaa se takaisin paikalleen. Muuten lapset voivat jäädä jumiin korin sisään.

## 7.9 Kierrettävä jääpala-astia

Pakastimen ylälaatikon jääpala-astiassa voi tehdä ja säilyttää jääpaloja.

1. Täytä astia juomavedellä maksimitason merkkiin asti.
2. Aseta täytetty astia takaisin paikalleen.
3. Odota noin kolme tuntia ja kierrä nuppeja myötäpäivään, jolloin jääpalat putoavat alla olevaan rasiaan.



4. Jääpaloja voi säilyttää rasiassa, joka on kätevä ottaa pois pakastimesta, kun tarvitset jäitä.

**Huomautus:** Jos käytät jääpala-astiaa ensimmäistä kertaa tai et ole käyttänyt sitä pitkään aikaan, pese se ennen käyttöä.

## 8. HYÖDYLLISIÄ NEUVOJA JA VINKKEJÄ

### 8.1 Energiansäästövinkejä

Seuraavien vinkkien avulla voit säästää energiaa.

- Yritä välttää oven pitämistä auki pitkiä aikoja, jotta energiaa ei pääse hukkaan.
- Varmista, että laitteen lähellä ei ole lämmönlähteitä (suora auringonvalo, sähköuuni, liesi yms.).
- Älä aseta lämpötilaa kylmemmäksi kuin on tarpeen.
- Älä laita jääkaappiin lämpimiä ruokia tai haihtuvia nesteitä.
- Sijoita laite kuivaan sisätilaan, jossa ilma kiertää hyvin. Katso lisätietoja kohdasta "Uuden laitteen asentaminen".
- Kuvassa 1 kohdassa "Laitteen kuvaus" on esitetty laatikoiden, vihanneslaatikon ja hyllyjen oikeat paikat. Älä vaihda niiden paikkoja, sillä tämä on todettu energiatehokkuuden kannalta parhaaksi yhdistelmäksi.

#### Tuoreiden elintarvikkeiden säilytys

- Älä laita kuumaa ruokaa jääkaappiin tai pakastimeen. Muuten laitteen sisälämpötila laskee, jolloin kompressori joutuu tehostamaan toimintaansa, mikä kuluttaa enemmän energiaa.
- Peitä ruoka kannella tai kääri se folioon tms. erityisesti, kun ruoka on voimakastuoksuisia.
- Sijoita elintarvikkeet jääkaappiin siten, että ilma pääsee kiertämään vapaasti niiden ympärillä.

#### Säilytysohjeita

- Liha (kaikki tyypit): Pakkaa muovipusseihin ja laita

vihanneslaatikon päällä olevalle lasihyllylle. Noudata aina valmistajan parasta ennen- ja käytettävä ennen -päiväysohjeita.

- Kypsennetty ruoka, kylmät ruoat jne: Peitä kannella ja aseta mille hyllylle tahansa.
- Hedelmät ja vihannekset: Säilytä niitä varten varatussa laatikossa.
- Voi ja juusto: Säilytä ilmatiiviissä foliossa tai muovikelvussa.
- Maitotölkit: Säilytä suljetut maitotölkit ovitelineissä.

### 8.2 Pakastusohjeita

- Kun käytät pakastinta ensimmäistä kertaa tai pitkän käyttämättömän jakson jälkeen, anna sen toimia vähintään kahden tunnin ajan suuremmilla asetusarvoilla, ennen kuin laitat sinne ruokaa.
- Jaa ruoka pieniin annoksiin, jotta se pakastuu nopeasti ja täydellisesti. Tällöin voit sulattaa vain tarvitsemasi määrän.
- Pakkaa elintarvikkeet alumiinifolioon tai muovipusseihin mahdollisimman ilmatiiviisti.
- Älä anna tuoreiden pakastamattomien ruokien koskea jo pakastuneita tuotteita, jotta niiden lämpötila ei nouse.
- Jos pakastettuja tuotteita nautitaan suoraan pakastimesta otettuina, ne voivat aiheuttaa kylmävammoja.
- Merkitse kunkin pakkauksen päälle, mitä se sisältää ja milloin se on pakastettu.

### Pakasteiden säilytysohjeita

- Varmista, että kauppias on säilyttänyt pakasteita asianmukaisesti.
- Kun pakastettu elintarvike on sulatettu, se pilaantuu nopeasti. Älä pakasta sulatettua elintarviketta uudelleen. Älä käytä tuotetta pakkaukseen merkityn viimeisen käyttöpäivän jälkeen.

## 9. PUHDISTUS JA KUNNOSSAPITO

Hygieenisistä syistä laite (myös ulko- ja sisäpuolella olevat lisävarusteet) on syytä puhdistaa säännöllisesti, noin kahden kuukauden välein.



### HUOMIO!

Laitteen on oltava irti sähköverkosta puhdistuksen ajan. Sähköiskun vaara! Ennen puhdistamista laitteesta on katkaistava virta ja pistoke on irrotettava sähköverkosta.

### 9.1 Ulkopintojen puhdistaminen

Laite pysyy siistinä, kun puhdistat sen säännöllisesti.

- Pyyhi digitaalinen ohjauspaneeli ja näyttö puhtaalla, pehmeällä liinalla.
- Ruiskuta vettä puhdistusliinaan, älä suoraan laitteen pinnoille. Näin kosteus pääsee jakautumaan tasaisemmin puhdistettaville pinnoille.
- Puhdista ovet, kahvat ja sisäpinnat miedolla pesuaineella. Pyyhi kuivaksi pehmeällä liinalla.



### HUOMIO!

- Älä käytä teräviä esineitä, sillä ne saattavat naarmuttaa laitteen pintoja.
- Älä käytä puhdistuksessa tinneriä, autonpesuainetta, valkaisuainetta, eteerisiä öljyjä, hankaavia puhdistusaineita tai liuottimia (esim. bentseeniä). Ne saattavat vaurioittaa laitteen pintoja ja aiheuttaa tulipalon.

### 8.3 Laitteen kytkeminen pois toiminnasta

Jos laite on kytkettävä pois päältä pitkäksi ajaksi, noudata seuraavia ohjeita, jotta laitteeseen ei pääse muodostumaan hometta.

1. Ota kaikki elintarvikkeet pois.
2. Irrota pistoke pistorasiasta.
3. Puhdista ja kuivaa sisäosa huolellisesti.
4. Varmista, että kaikki ovet jäävät raolleen, jotta ilma pääsee kiertämään.

### 9.2 Sisäpuolen puhdistaminen

- Puhdista laite sisäpuolelta säännöllisesti. Puhdistaminen sujuu helpommin silloin, kun jääkaappi-pakastimessa ei ole paljon ruokaa. Pyyhi jääkaappi-pakastimen sisäpinnat miedolla natriumbikarbonaattiliuoksella. Huuhtelee lämpimään veteen kastetulla ja nihkeäksi puristetulla pesusienellä tai liinalla. Pyyhi täysin kuivaksi, ennen kuin laitat hyllyt ja korit paikoilleen. Kuivaa kaikki pinnat ja irrotettavat osat huolellisesti.
- Vaikka laite poistaakin huurteen automaattisesti, pakastimen sisäseiniin saattaa kertyä huurtererros, jos ovea avataan usein tai pidetään auki pitkiä aikoja. Jos huurretta pääsee kertymään paksult, valitse sulatukseen ajankohta, jolloin pakastin on (lähes) tyhjiällä. Toimi seuraavasti;
  1. Ota elintarvikkeet ja korit pois pakastimesta, irrota pistoke pistorasiasta ja jätä ovet auki. Tuuleta huone kunnolla, jotta sulatusprosessi vauhdittuu.
  2. Kun pakastin on sulanut, puhdista se edellä annettujen ohjeiden mukaisesti.



### HUOMIO!

Älä käytä pakastimen huurteen poistamisessa teräviä esineitä. Kytke laitteen virta takaisin päälle ja laita pistoke pistorasiaan vasta, kun laite on sisältä täysin kuiva.

### 9.3 Ovitivisteiden puhdistaminen

Huolehdi ovitivisteiden puhtaudesta. Tahmaiset ruoat ja juomat saattavat saada tiivisteet tarttumaan kiinni kaappiin, jolloin ne voivat repeytyä, kun avaat oven. Pese tiivisteet miedolla puhdistusaineella ja lämpimällä vedellä. Huuhtele ja kuivaa huolellisesti.



#### HUOMIO!

Käynnistä laitteen virta vasta, kun ovitivisteet ovat kuivuneet täysin.



#### VAROITUS!

Älä yritä vaihtaa LED-valoa itse! Jos LED-valo on vahingoittunut, ota yhteys asiakaspalveluun.

## 10. VIANMÄÄRITYS

Jos laitteessa ilmenee jokin ongelma tai pelkää, että se ei toimi oikein, voit tehdä itse muutamia yksinkertaisia tarkistuksia, ennen kuin otat yhteyttä huoltoon. Noudata seuraavia ohjeita.



#### VAROITUS!

Älä yritä korjata laitetta itse. Jos ongelma ei poistu, kun olet tehnyt nämä tarkistukset, ota yhteys sähköasentajaan, huoltoteknikkoon tai liikkeeseen, josta ostit tuotteen.

Ongelma	Mahdollinen syy & ratkaisu
Laitte ei toimi oikein	Tarkista, onko virtapistoke kytketty tiukasti pistorasiaan.
	Tarkista sulake tai virtapiiri ja vaihda tarvittaessa.
	On normaalia, että pakastin ei toimi automaattisen huurteenpoiston aikana tai hetken ajan laitteen käyttöön kytkemisen jälkeen. Tämä suojaa kompressoria.
Hajua laitteen sisältä	Jääkaapin sisäosa saattaa kaivata puhdistamista.
	Jotkin ruoat, astiat tai pakkausmateriaalit voivat aiheuttaa hajua.
Laitte pitää ääntä	Seuraavat äänet ovat normaaleja: Kompressorin käyntiääni. <ul style="list-style-type: none"> <li>Ilman liikkeen ääni pienestä puhaltimen moottorista pakastimesta tai muista osista.</li> <li>Veden kiehumista muistuttava pulputus.</li> <li>Napsahtelu automaattisen huurteenpoiston aikana.</li> <li>Naksahdukset ennen kompressorin käynnistymistä.</li> </ul>
	Jos kuulet muita epätavallisia ääniä, tarkista tilanne ja tee tarvittavat toimenpiteet. Äänet voivat johtua seuraavista syistä: Laitte ei ole oikein tasapainotettu. Laitteen takaosa koskettaa seinää. Pullot tai astiat ovat kaatuneet tai kierivät laitteen sisällä.

Moottori toimii jatkuvasti	<p>On normaalia, että moottorin ääni kuuluu usein. Se käy normaalia tehokkaammin seuraavissa tilanteissa:</p> <ul style="list-style-type: none"> <li>• Lämpötila-asetus on tarvittua kylmempi.</li> <li>• Laitteeseen on hiljattain laitettu suuri määrä lämmintä ruokaa.</li> <li>• Laitteen ympäristön lämpötila on liian korkea.</li> <li>• Ovia pidetään auki pitkiä aikoja.</li> <li>• Laite on juuri asennettu tai ollut pitkään pois käytöstä.</li> </ul>
Huurretta laitteen sisällä	Tarkista, että ilmanpoistoaukkojen edessä ei ole elintarvikkeita ja että elintarvikkeet on sijoitettu siten, että ilma pääsee kiertämään. Varmista, että ovi on kunnolla suljettu. Katso ohjeet huurteenpoistoon kohdasta "Puhdistus ja kunnossapito".
Sisäosa on liian lämmin	Olet mahdollisesti pitänyt ovia auki liian pitkään tai avannut niitä liian usein, jokin saattaa estää ovien sulkeutumisen tai laitteen sivuilla, takana ja päällä ei ole tarpeeksi tyhjää tilaa.
Sisäosa on liian kylmä	Nosta lämpötilaa kohdassa "Näytön säätimet" annettujen ohjeiden mukaisesti.
Ovet eivät sulkeudu kunnolla	Varmista, että jääkaapin yläosaa on kallistettu taaksepäin 10–15 mm:n verran, jotta ovet pääsevät sulkeutumaan itsestään. Tarkista, estääkö jokin jääkaapin sisällä ovia sulkeutumasta.
Lattialle tulee vettä	Vesisäiliö (jääkaapin takaosassa alhaalla) saattaa olla vinossa, sulavesikouru (kompressorin yläosan alla) saattaa olla väärässä asennossa, jolloin vesi ei pääse kulkemaan säiliöön, tai sulavesikouru saattaa olla tukossa. Saatat joutua vetämään jääkaapin kauemmas seinästä, jotta pääset tarkistamaan säiliön ja kourun.
Valo ei toimi	LED-valo saattaa olla vahingoittunut. Katso LED-valojen vaihto-ohjeet kohdasta "Puhdistus ja kunnossapito". Ohjausjärjestelmä on saattanut estää valojen toiminnan, koska ovea on pidetty auki liian kauan. Aktivoi valot uudelleen sulkemalla ja avaamalla ovi.
Ovet eivät aukei pehmeästi	Tarkista ovitiivisteiden kunto. Puhdista oven reunaa kiertävä tiiviste tarvittaessa tiskiaineella ja lämpimällä vedellä. Jos lika pääsee pintymään tiivisteeseen, ovi saattaa jämähtää kiinni jääkaappiin.

## 11. LAITTEEN KÄYTÖSTÄPOISTO JA HÄVITTÄMINEN

Jääkaappi on valmistettu kierrätettävistä materiaaleista. Se täytyy hävittää paikallisten määräysten mukaisesti. Laitteen jäähdytysputkistossa on pieni määrä jäähdytysnestettä (R600a). Pidä huolta turvallisuudestasi: katso lisätietoja tämän käyttöohjeen kohdasta

"Jäähdytysneste ja tulipalovaara", ennen kuin poistat laitteen käytöstä. Irrota pistoke pistorasiasta. Irrota ovitiiviste ja lukko. Varo, ettet vahingoita jäähdytysjärjestelmää: älä puhkaise reikää jäähdytysnesteastiaan, taivuta putkia ja/tai naarmuta pinnoitetta.

### Tuotteen hävittäminen



Laitteessa tai sen pakkauksessa oleva symboli ilmaisee, että tuotetta ei voi käsitellä tavallisena kotitalousjätteenä. Sen sijaan laite on toimitettava sähkö- ja elektroniikkalaitteiden keräys- ja kierrätyspisteeseen. Varmistamalla, että laite poistetaan käytöstä asianmukaisesti, voit auttaa estämään sellaisia ympäristö- ja terveyshaittoja, joita voisi aiheutua jätteiden asiattomasta käsittelystä. Lisätietoja laitteen kierrätyksestä on saatavilla kaupungin tai kunnan jätehuoltoviranomaiselta, jätehuoltokeskuksesta tai liikkeestä, josta laite on ostettu.

## 12. TEKNISET TIEDOT

Mitat	
Korkeus	1 766 mm
Leveys	912 mm
Syvyys	765 mm
Käyttöönottoaika	12 t
Jännite	220–240 V
Taajuus	50 Hz

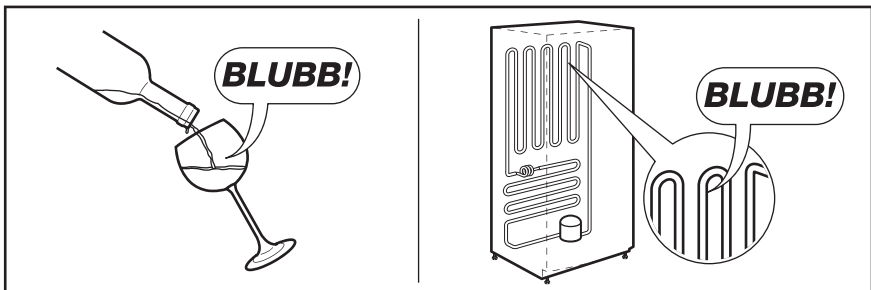
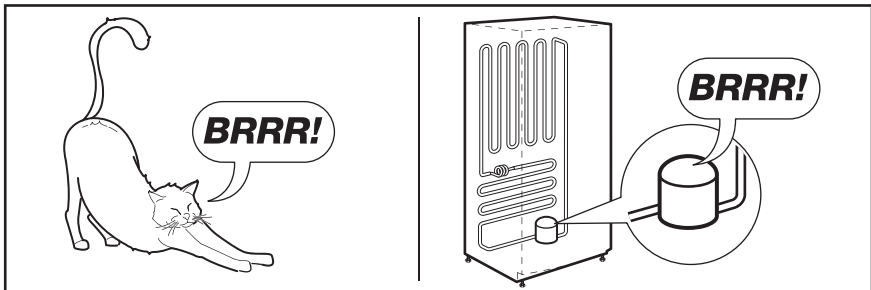
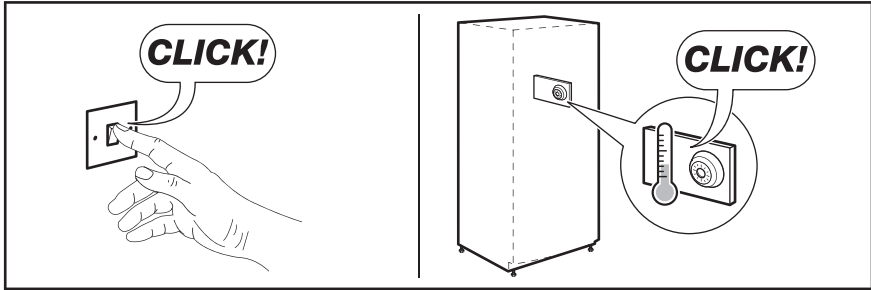
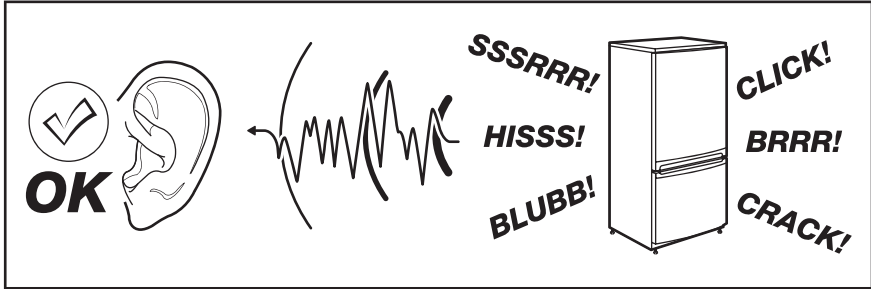
Tekniset tiedot on merkitty laitteen sisälle, vasemmalle puolelle kiinnitettyyn arvokilpeen ja energiatarraan.

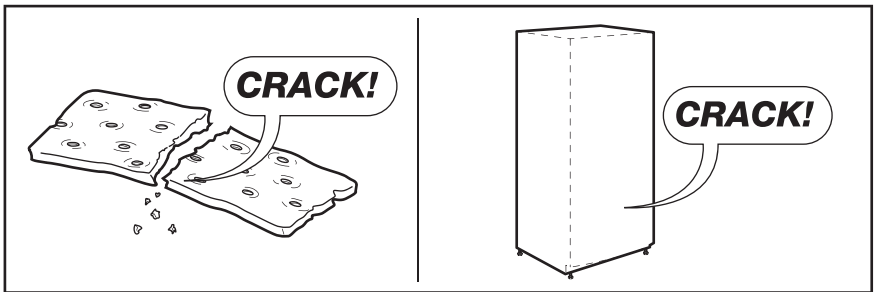
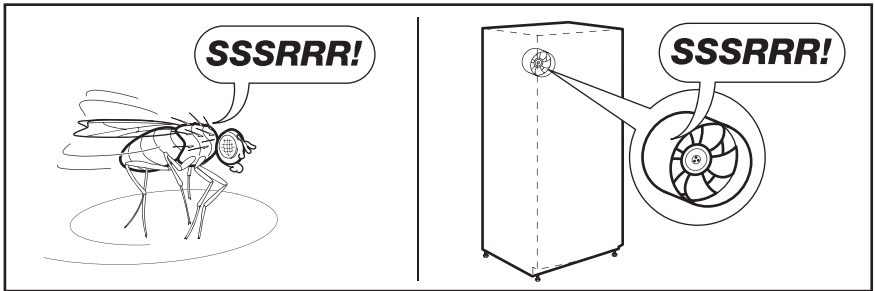
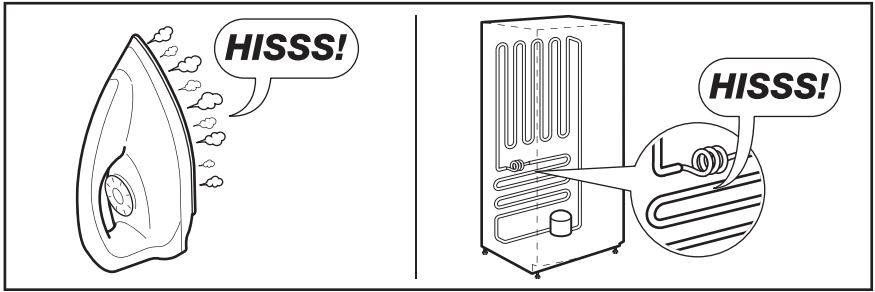




## 13. ÄÄNET

Tietynlaiset äänet kuuluvat laitteen normaaliin toimintaan (kompressori, jäähdytysaineen kierto).







# INNEHÅLL

1. SÄKERHETSINFORMATION.....	293
2. SÄKERHETSFÖRESKRIFTER.....	294
3. MILJÖSKYDD .....	295
4. BESKRIVNING AV PRODUKTEN.....	296
5. INSTALLERA DIN NYA PRODUKT .....	298
6. DISPLAYREGLAGE .....	300
7. ANVÄNDA PRODUKTEN.....	302
8. PRAKTISKA RÅD OCH TIPS.....	306
9. RENGÖRING OCH SKÖTSEL.....	307
10. FELSÖKNING .....	308
11. KASSERA PRODUKTEN.....	310
12. TEKNISKA DATA.....	310
13. BULLER .....	311

## FÖR PERFEKT RESULTAT

Tack för att du valt denna produkt från Electrolux. Vi har skapat den så att du ska kunna få felfritt resultat i många år, med innovativa tekniker som gör livet enklare – funktioner som du inte skulle hitta hos vanliga produkter. Ägna några minuter åt att läsa detta för att få ut så mycket som möjligt av produkten.

### Besök vår webbplats för att:



Få användningsråd, broschyrer, felsökningshjälp och serviceinformation:  
**[www.electrolux.se](http://www.electrolux.se)**



Registrera din produkt för bättre service:  
**[www.electrolux.com/productregistration](http://www.electrolux.com/productregistration)**




Köpa tillbehör, förbrukningsvaror och originalreservdelar till din produkt:  
**[www.electrolux.com/shop](http://www.electrolux.com/shop)**

## KUNDTJÄNST OCH SERVICE

Använd endast originalreservdelar.

När du kontaktar det auktoriserade servicecentret, se till att ha följande uppgifter tillgängliga: modell, PNC, serienummer.

Informationen står på typskylten.

 Varnings-/viktig säkerhetsinformation.

 Allmän information och tips

 Miljöinformation.

Med reservation för ändringar.



# 1. SÄKERHETSINFORMATION

Läs noga de bifogade instruktionerna före installation och användning av produkten. Tillverkaren kan inte hållas ansvarig för personskador eller skador på egendom som orsakats av felaktig installation eller användning. Förvara alltid instruktionerna tillsammans med produkten för framtida bruk.

## 1.1 Säkerhet för barn och handikappade

- Denna produkt kan användas av barn över 8 år och personer med reducerad fysisk, sensorisk eller mental förmåga eller som saknar erfarenhet och kunskap, om de får tillsyn eller instruktioner om hur man använder produkten på ett säkert sätt och förstår riskerna.
- Låt inte barn leka med produkten.
- Rengöring och användarunderhåll ska inte utföras av barn utan tillsyn.
- Håll allt förpackningsmaterial utom räckhåll för barn.

## 1.2 Allmän säkerhet

- Produkten är avsedd att användas i hushåll och liknande användningsområden som t.ex.:
  - Bondgårdar, personalkök i affärer, på kontor och i andra arbetsmiljöer
  - Av gäster på hotell, motell, bed and breakfast och andra typer av boendemiljöer
- Se till att ventilationsöppningarna i produktens hölje eller i den inbyggda strukturen inte blockeras.
- Använd inga mekaniska verktyg eller andra medel för att påskynda avfrostningsprocessen utöver dem som rekommenderas av tillverkaren.
- Var noga med att inte skada kylkretsen.
- Använd inga elektriska apparater inne i matförvaringsutrymmena såvida de inte är av en typ som rekommenderas av tillverkaren.
- Spruta inte vatten eller ånga för att rengöra produkten.
- Rengör produkten med en fuktig, mjuk trasa. Använd bara neutrala rengöringsmedel. Använd inte produkter med slippeffekt, skursvampar, lösningsmedel eller metallföremål.

- Förvara inte explosiva ämnen som aerosolburkar med lättantändligt drivmedel i produkten.
- Om nätsladden är skadad måste den bytas ut av tillverkaren, tillverkarens servicerepresentant eller personer med motsvarande utbildning, för att undvika fara.
- Om produkten är utrustad med en ismaskin eller vattendispenser, får de bara fyllas med dricksvatten.
- Om produkten behöver vattentillförsel, anslut den bara till en anslutning med dricksvatten.
- Inloppsvattentrycket (minimum och maximum) måste vara mellan 1 bar (0,1 MPa) och 10 bar (1,0 MPa).

## 2. SÄKERHETSFÖRESKRIFTER

### 2.1 Installation



#### **WARNING!**

Endast en behörig person får installera den här produkten.

- Avlägsna allt förpackningsmaterial.
- Installera eller använd inte en skadad produkt.
- Följ de installationsanvisningar som följer med produkten.
- Produkten är tung, så var alltid försiktig när du flyttar den. Använd alltid skyddshandskar.
- Se till att luft kan cirkulera runt produkten.
- Vänta minst 4 timmar innan du ansluter produkten till eluttaget. Detta för att oljan ska rinna tillbaka i kompressorn.
- Installera inte produkten nära element, spisar, ugnar eller hällar.
- Produktens bakre yta måste stå mot väggen.
- Installera inte produkten där den står i direkt solljus.
- Placera inte produkten i utrymmen där det är fuktigt eller kallt, till exempel i baracker, garage och vinkällare.
- Undvik att repa golvet genom att lyfta produktens framkant om du vill flytta den.

### 2.2 Elektrisk anslutning



#### **WARNING!**

Risk för brand och elektriska stötar.

- Produkten måste vara jordad.
- Se till att elinformationen på typskylten på produkten överensstämmer med strömförsörjningen. I annat fall, kontakta en elektriker.
- Använd alltid ett korrekt installerat, stötsäkert eluttag.
- Använd inte grenuttag eller förlängningssladdar.
- Se till att du inte skadar de elektriska komponenterna (t.ex. stickkontakten, nätkabeln, kompressorn). Kontakta service eller en elektriker om elektriska komponenter behöver bytas ut.
- Nätkabeln måste vara under stickkontaktens nivå. Anslut stickkontakten till eluttaget först vid slutet av installationen. Kontrollera att stickkontakten är åtkomlig efter installationen. Dra inte i nätkabeln för att koppla bort produkten från eluttaget. Ta alltid tag i stickkontakten.



## 2.3 Användning



### **VARNING!**

Risk för skador, brännskador eller elstötar föreligger.

- Ändra inte produktens specifikationer.
- Ställ inte elektriska apparater (t.ex. glassmaskiner) i produkten om inte tillverkaren uttryckligen säger att det är lämpligt.
- Var försiktig så att du inte skadar kylkretsen. Den innehåller isobutan (R600a), en naturgas som är miljöanpassad i hög grad. Denna gas är lättantändlig.
- Om kylkretsen skadas ska du se till att inga flammor eller antändningskällor finns i rummet. Ventilera rummet.
- Låt inte varma föremål vidröra plastdelarna i produkten.
- Lägg inte in läsk i frysdelen. Detta skapar tryck i flaskan.
- Förvara inte brandfarliga gaser eller vätskor i produkten.
- Placera inga lättantändliga produkter eller föremål som är fuktiga av lättantändliga produkter i, nära eller på produkten.
- Vidrör inte kompressorn eller kondensorn. De är heta.
- Ta inte bort och vidrör inte föremål från frysdelen med våta eller fuktiga händer.
- Frys inte livsmedel igen som en gång tinats.
- Följ förvaringsanvisningarna på förpackningen till de frysta livsmedlen.

## 2.4 Inre belysning

- Lampan i den här produkten är inte lämplig för rumsbelysning.

## 2.5 Skötsel och rengöring



### **VARNING!**

Risk för personskador och skador på produkten föreligger.

- Stäng av enheten och dra ur kontakten från eluttaget före underhåll.
- Kylenheten i denna vara innehåller kolväten. Endast behöriga personer får utföra underhåll och ladda produkten.
- Undersök regelbundet produktens tömningskanal och rengör den vid behov. Om tömningskanalen täpps igen samlas vatten från avfrostringen på produktens botten.

## 2.6 Kassering





### **VARNING!**

Risk för kvävning eller skador.

- Koppla loss produkten från eluttaget.
- Klipp av strömkabeln och kassera den.
- Ta bort dörren så att barn och djur inte kan stängas in i produkten.
- Kylkretsen och isoleringsmaterialet i den här produkten skadar inte ozonskiktet.
- Isoleringsskummet innehåller brandfarlig gas. Kontakta kommunen för information om hur produkten kasseras korrekt.
- Orsaka inte skada på den delen av kylenheten som är nära värmeväxlaren.

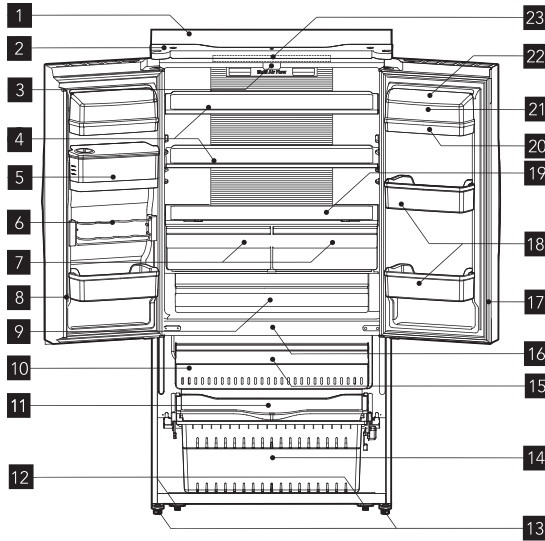
# 3. MILJÖSKYDD

Återvinn material med symbolen . Återvinn förpackningen genom att placera den i lämpligt kärl. Bidra till att skydda vår miljö och vår hälsa genom att återvinna avfall från elektriska och elektroniska

produkter. Släng inte produkter märkta med symbolen  i hushållsavfallet. Lämna in apparaten på närmaste återvinningsstation eller kontakta kommunkontoret.

## 4. BESKRIVNING AV PRODUKTEN

### 4.1 Vy 1 av produkten

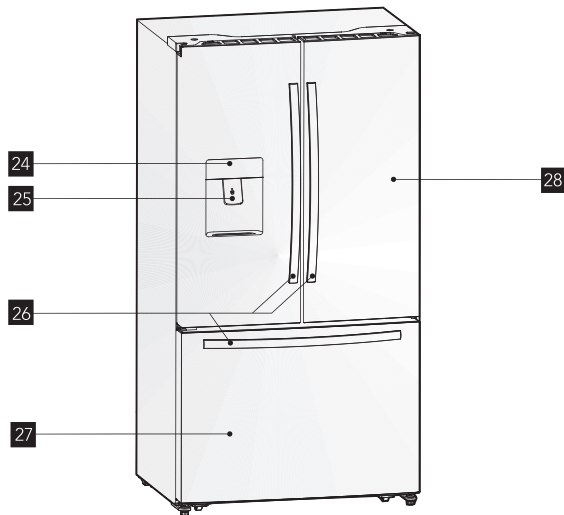


- |                                       |   |
|---------------------------------------|---|
| <b>1</b> Hölje                        | <b>13</b> Justerbara fötter               |
| <b>2</b> Lock på ovansidan            | <b>14</b> Nedre fryslåda                  |
| <b>3</b> Vertikala baffelns styrblock | <b>15</b> Övre fryslåda                   |
| <b>4</b> Glashylla                    | <b>16</b> Frysens LED-lampa (inuti)       |
| <b>5</b> Förvaringslåda för vatten    | <b>17</b> Kylskåpets dörrtätning          |
| <b>6</b> Flexibelt fack för flaskor   | <b>18</b> Nedre hyllor                    |
| <b>7</b> Frukt- och grönsaksfack      | <b>19</b> Frukt- och grönsaksfackets lock |
| <b>8</b> Vertikal baffeldel           | <b>20</b> Övre hylla                      |
| <b>9</b> Zon för färskvaror           | <b>21</b> Äggfack (inuti)                 |
| <b>10</b> Vridbar isbricka (inuti)    | <b>22</b> Hyllans lock                    |
| <b>11</b> Serveringsbricka            | <b>23</b> Kylskåpets LED-lampa (inuti)    |
| <b>12</b> Hjul                        |   |





## 4.2 Vy 2 av produkten



**24** Displaykort

**25** Kallvattendispenser

**26** Handtag

**27** Frysdörr

**28** Kylskåpsdörr

**Obs!** På grund av kontinuerlig förbättring av våra produkter kan ditt kylskåp skilja sig något från bilden ovan, men funktionerna och användningssätten är desamma.

**Obs!** För att få bästa möjliga energieffektivitet i denna produkt ska du placera alla hyllor, lådor och korgar på sina ursprungliga positioner enligt bilden ovan.



Denna produkt säljs i Frankrike. Enligt gällande bestämmelser i detta land måste kylskåpet förses med en speciell anordning (se bild) som placeras i det nedre facket för att indikera den kallaste zonen i kylskåpet.

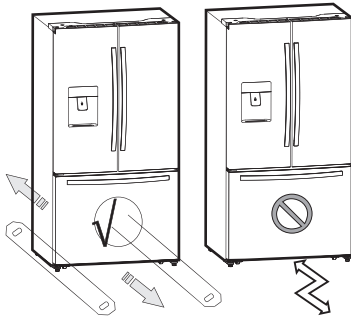
## 5. INSTALLERA DIN NYA PRODUKT

Det här avsnittet beskriver installationen av den nya produkten innan du använder den för första gången. Vi rekommenderar att du läser följande

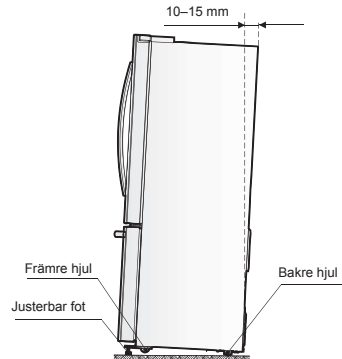


### VARNING!

För korrekt installation måste detta kylskåp placeras på en plan yta av hårt material som är i samma höjd som resten av golvet. Denna yta ska vara tillräckligt stark för att stödja ett fullt kylskåp, eller cirka 120 kg. Var noga med att dra ut och skjuta tillbaka produkten rakt när du flyttar den.



3. Tippa överdelen bakåt cirka 10–15 mm genom att vrida fötterna ytterligare 1–2 varv. Detta gör att dörrarna stänger sig själva och tätar ordentligt.
4. Kom ihåg att vrida upp fötterna igen så att produkten kan rulla fritt om du vill flytta produkten. Installera produkten på nytt om du flyttar den.



### VARNING!

Hjulen, som inte är svängbara, ska endast användas för förflyttning framåt eller bakåt. Om du flyttar kylskåpet i sidled kan du skada golvet och hjulen.

Klass	Symbol	Omgivande temperaturintervall (°C)
Utökat tempererat	SN	+10 till +32
Tempererat	N	+16 till +32
Subtropiskt	ST	+16 till +38
Tropiskt	T	+16 till +43

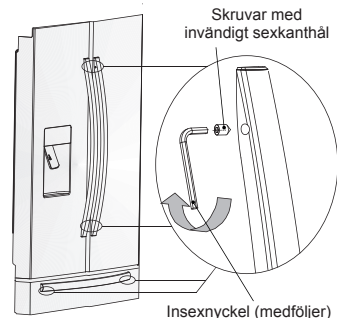
### 5.1 Nivåjustera produkten

Produkten är försedd med justerbara fötter framtill för korrekt nivåjustering och för att undvika vibrationer. Justera nivån genom att följa anvisningarna nedan:

1. Rulla kylskåpet på plats.
2. Vrid de justerbara fötterna (med dina fingrar eller med lämpligt verktyg) tills de vidrör golvet.

### 5.2 Justera dörrhandtaget

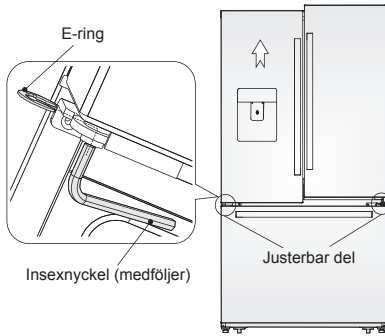
Kontrollera kylskåpets handtag innan du använder produkten. Sätt fast handtaget, om det sitter löst, genom att vrida en insexnyckel medurs tills handtaget är ordentligt på plats. Varje handtag sitter fast med två skruvar.





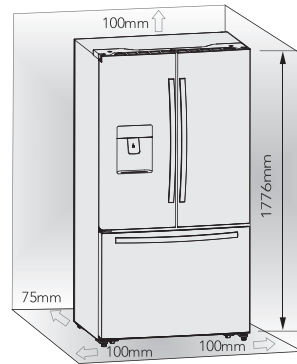
### 5.3 Justering av dörrar

- Både vänster och höger dörr har justerbara axlar, som är placerade i de nedre gångjärnen.
- Se till att kylskåpet är nivåjusterat innan du justerar dörrarna. Se föregående avsnitt "Nivåjustera produkten". Om dörrarnas ovansida är ojämn ska du sätta in insexnyckeln i gångjärnsaxeln och vrida medurs för att höja eller moturs för att sänka dörren och sätt sedan in en E-ring i mellanrummet.

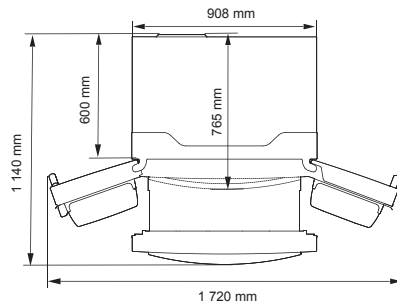


### 5.4 Ventilation av produkten

Det är nödvändigt att upprätthålla god ventilation runt produkten för att leda bort värme, vilket förbättrar kylsystemets effektivitet och sparar energi. Därför ska det finnas tillräckligt med utrymme runt om kylskåpet och utrymmet ska vara fritt från hinder som påverkar luftcirkulationen.



**Förslag:** Håll dig till de avstånd som visas på bilden ovan för att säkerställa att produkten fungerar korrekt.



## 6. DISPLAYREGLAGE

Du kan nå enhetens alla funktioner och reglage från en kontrollpanel som är praktiskt placerad på kylskåpsdörren. En touch-knappsats och en digital display gör att du kan konfigurera funktioner och inställningar på ett enkelt och intuitivt sätt.

**Viktigt!** Ett kort tryck på touch-knapparna räcker för att de ska fungera. Operationen sker när du tar bort fingret från knappen, inte när du trycker på knappen. Du behöver inte trycka hårt på knappsatsen. Barnlåsfunktionen kopplad

till "Larm"-knappen kräver en lång beröring på minst 3 sek. I motsvarande avsnitt i den här bruksanvisningen finns detaljerade instruktioner. Kontrollpanelen består av två indikerade temperaturområden, fem symboler som representerar olika lägen och sex touch-knappar. När produkten slås på för första gången tänds symbolernas bakgrundsbelysning på displaypanelen. Bakgrundsbelysningen stängs av efter 60 sekunder om ingen knapp har tryckts på och dörrarna förblir stängda.



### Temperaturkontroll

Vi rekommenderar att temperaturen i kylskåpet ställs in på 5 °C och frysen på -18 °C när du startar ditt kylskåp för första gången. Följ instruktionerna nedan om du vill ändra temperaturen.

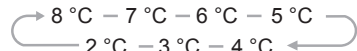


#### OBS!

Du ställer in en medeltemperatur för hela kylskåpet när du ställer in en temperatur. Temperaturen inuti varje del kan avvika från den temperatur som visas på panelen beroende på hur mycket matvaror som lagras och var de är placerade. Omgivande temperatur kan också påverka temperaturen inne i produkten.

### 6.1 Kyl

Tryck flera gånger på knappen "Fridge" (kylskåp) för att ställa in önskad kylskåpstemperatur mellan 8 °C och 2 °C. Temperaturen sjunker med 1 °C för varje tryck och kylskåpets temperaturindikator visar motsvarande värde enligt följande sekvens.



### 6.2 Snabbkylning

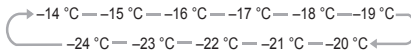


Om du behöver lägga in en större mängd varma matvaror, t.ex. när du har handlat, rekommenderar vi att du aktiverar snabbkylning för att kyla matvarorna snabbare och för att inte värma upp andra matvaror i kylskåpet.

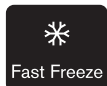
- Tryck på knappen "Fast Cool" (snabbkylning) för att aktivera denna funktion. Symbolen "Super Cool" (superkylning) tänds och kylskåpets temperaturindikator visar 2 °C.
- "Super Cool" (superkylning) stängs av automatiskt efter sex timmar.
- Tryck på "Fast Cool" (snabbkylning) eller "Fridge" (kylskåp) för att avbryta superkylningsläget och återgå till föregående temperaturinställning.

### 6.3 Frys

Tryck på knappen "Freezer" (frys) för att ställa in den frystemperatur du önskar mellan  $-14\text{ }^{\circ}\text{C}$  och  $-24\text{ }^{\circ}\text{C}$ . Frysens temperaturindikator visar motsvarande värde enligt följande sekvens.



### 6.4 Snabbfrysning



Super Freeze (superfrys) kan snabbt sänka frystemperaturen och frysa livsmedlen betydligt snabbare än vanligt.

Tryck på knappen "Fast Freeze" (snabbfrys) för att aktivera superfrysfunktionen. Symbolen Super Freeze (superfrys) tänds och frysens temperaturinställning visar  $-24\text{ }^{\circ}\text{C}$ .

- Låt frysningen gå i sex timmar med normal drift innan du använder superfrysläget för första gången eller efter en period av inaktivitet. Detta är särskilt viktigt om en stor mängd matvaror läggs i frysningen.
- Super Freeze (superfrys) stängs automatiskt av efter 26 timmars användning och frystemperaturen går ner under  $-20\text{ }^{\circ}\text{C}$ .
- Tryck på "Fast Freeze" (snabbfrys) eller "Freezer" (frys) för att avbryta läget Super Freeze (superfrys) och återgå till föregående temperaturinställning.

**Obs!** Se till att det inte finns någon dryck i flaska eller burk (särskilt kolsyrad dryck) i frysdelen när du väljer funktionen Super Freeze (superfrys). Flaskor och burkar kan explodera.

### 6.5 Holiday



Denna funktion är utformad för att minimera energiförbrukningen och elkostnaderna när kylan inte används under en längre

tid. Du aktiverar den här funktionen med ett kort tryck på knappen "Holiday" tills ljussymbolen Holiday (semester) tänds.

**Viktigt!** Förvara inte några matvaror i kylfacket under den här tiden.

- När semesterfunktionen är aktiverad ställs temperaturen i kylskåpet automatiskt in på  $15\text{ }^{\circ}\text{C}$  för att minimera energiförbrukningen. Inställningen för kylskåpstemperaturen visar "—" och frysdelen förblir påslagen.
- Tryck på knappen "Holiday" (semester) för att avbryta semesterläget och återgå till föregående temperaturinställning.

### 6.6 Alarm



I händelse av larm tänds symbolen "Alarm" och ett surrande ljud hörs.

Tryck på knappen "Alarm" för att stänga av larmet och det surrande ljudet. Då släcks även symbolen "Alarm".



#### **WARNING!**

Larmet kan aktiveras om kylskåpet slås på efter en period av inaktivitet. Om det händer trycker du på knappen "Alarm" för att avbryta.

### Dörralarm

Att larmlampen lyser och ett surrande ljud hörs betyder onormala förhållanden, t.ex. att en dörr av misstag lämnats öppen eller att ett strömavbrott har inträffat.

- Ett dörralarm och en varningssignal aktiveras om någon kylskåps- eller frysdörr lämnats öppen i mer än två minuter. Varningssignalen ljuder tre gånger per minut i tio minuter. Du stänger av dörrlarmet och varningssignalen genom att stänga dörren.
- För att spara energi ska du undvika att hålla kylskåpsdörrarna öppna länge. Dörrlarmet stängs också av när du stänger dörren.

## Temperurlarm

Detta är en viktig funktion som varnar användare för potentiella skador på förvarade livsmedel. Om ett strömavbrott skulle inträffa, t.ex. ett strömavbrott i ditt bostadsområde medan du är borta, kommer temperurlarmet att memorera den temperatur det var i frysen när strömmen till enheten kom tillbaka. Det här är sannolikt den högsta temperatur som de frysta varorna uppnått. När temperaturen är högre än  $-9\text{ }^{\circ}\text{C}$  indikeras ett temperurlarmtillstånd av att larmlampan lyser och varningssignalen ljuder. Därefter sker följande:

- Larmsymbolen tänds.
- Frysens temperaturindikator visar "H".
- Varningssignalen ljuder tio gånger när larmet utlöses och stannar automatiskt.

## 7. ANVÄNDA PRODUKTEN

### 7.1 Kallvattendispenser

Kallvattendispensern, som finns i den vänstra kylskåpsdörren, används för att förvara dricksvatten. Med den här funktionen får du enkelt kallt vatten utan att öppna dörren.

- Rengöring  
Rengör vattendispensern innan du använder den för första gången.  
Steg 1: Dra ut vattendispensern.  
Steg 2: Tvätta med rent vatten.  
Steg 3: Torka den.
- Hopsättning  
Läs följande instruktion för hur du sätter ihop dispensern igen.
  - Håll ett stadigt tag om båda sidorna av vattenbehållaren, lyft sedan upp den och ta bort den från dörren.
  - Skruva av huvudet moturs.
  - Sätt tillbaka dem på dörren och tryck in behållaren tills du hör ett klickljud.

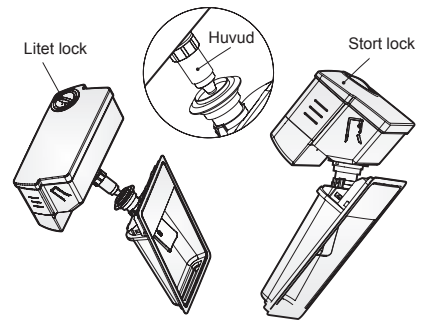
## BARNLÅS



Tryck och håll in knappen "Alarm" i tre sekunder för att aktivera barnlåset.

Då inaktiveras displayen för att förhindra oavsiktliga ändringar i inställningarna. Under tiden tänds symbolen "Child Lock" (barnlås).

- Tryck och håll in knappen "Alarm" i tre sekunder för att stänga av barnlåset. Symbolen "Child Lock" (barnlås) släcks.



### VARNING!

Se till att huvudet sitter korrekt i hålet innan du sätter tillbaka vattenbehållaren.

### Fylla på vatten

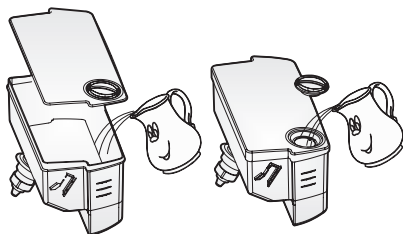
Se till att vattenbehållaren sitter stadigt och är placerad i rätt läge innan du fyller på vatten i vattenbehållaren. Fyll vattenbehållaren till under markeringen för maxnivå, vilken är vid ungefär 4,0 liter, för att förhindra att vatten svämmar över eller spills ut. Det finns två sätt att fylla på vattenbehållaren:



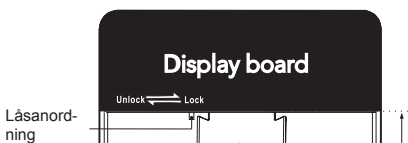
1. Ta bort det lilla locket och fyll på vatten från det stora lockets inlopp.
2. Ta bort det stora locket på behållaren och fyll sedan på vatten direkt.



**OBS!**  
Håll ingen annan vätska än vatten i vattenbehållaren.



- Lås  
Innan du serverar vatten ska du se till att dispensern är i läget "unlock" (upplåst). Låsanordningen sitter under displaypanelen som på bilden:

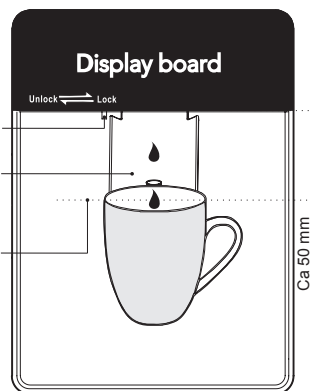


**WARNING!**  
Låsfunktionen används för att låsa enheten. Tryck inte hårt på dispenserspaken när dispensern är i läget "lock" (låst), eftersom det kan skada och ha sönder dispensern.

- Använda vattendispensern  
Använd en kopp med lämplig storlek under vattendispensern när du fyller på vatten.



**WARNING!**  
Dra inte ut dispenserspaken utan en kopp under eftersom vatten kan läcka ut från dispensern. Låt anordningen för vattenförsörjning vara installerad även när vattendispensern inte används för att undvika att kall luft läcker ut.



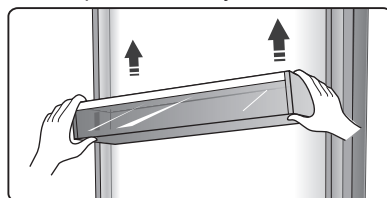
**Obs!** Om du använder vattendispensern ofta kan droppspill få brickan att svämma över. Torka brickan med en handduk när det behövs.

## 7.2 Dörrhylla

Kylskåpsfacket är utrustat med dörrhyllor som är lämpliga för förvaring av vätskor i flaska, drycker på flaska och matpaket. Placera inte stora mängder tunga livsmedel eller föremål i dörrhyllorna.

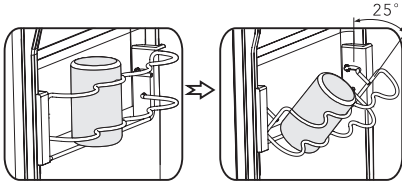
- Den mittersta dörrhyllan är utformad för att kunna placeras på en höjd som passar dina behov. Töm hyllan och lyft den uppåt för att ta bort den. Placera sedan hyllan på önskad plats.

**Obs!** Det finns ett fack för ägg som ska placeras på den övre hyllan.



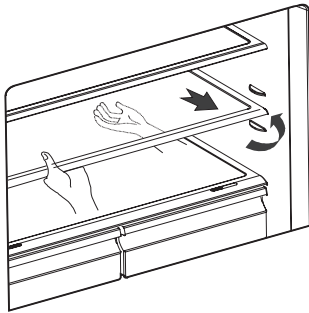
### 7.3 Fack för flaskor

- Det här facket har plats för upp till fyra flaskor av standardstorlek, men är inte lämpligt för flaskor med en diameter på mindre än 50 mm. Facket kan även vid behov rotera 25° längs hyllan för att underlätta förvaring eller servering av drycker.

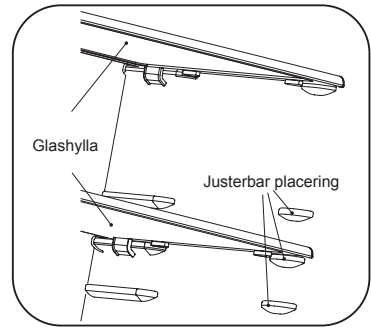


### 7.4 Glashyllor

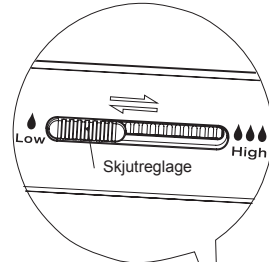
Kylskåpsfacket är försett med två glashyllor. Den översta hyllan är utformad för att vara fast medan den nedre hyllan är justerbar. Det finns tre ställen som du kan sätta den nedre hyllan på. Anpassa hyllans höjdplacering till dina behov:



- När du ska flytta hyllorna drar du dem försiktigt framåt tills de kommer ut från ledstöden.
- När du sätter tillbaka dem ska du se till att det inte finns något hinder bakom hyllorna och sedan trycka dem försiktigt på plats.



### 7.5 Frukt- och grönsaksfack och fuktighetskontroll



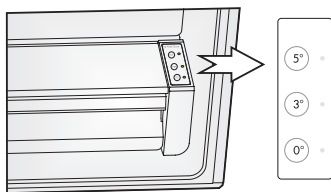
Facket som är monterat på teleskopiska förlängningsskenor är avsett för förvaring av grönsaker och frukt. Du kan justera den invändiga fuktigheten med glidreglaget.

- Fuktighetsreglaget justerar luftflödet i facket – högre luftflöde ger lägre fuktighet. Skjut fuktighetsreglaget åt höger för att öka fuktigheten.
- För grönsaker rekommenderas inställningar med hög fuktighet, medan låg fuktighet är lämplig för förvaring av frukt.
- Följ de här enkla instruktionerna för att ta bort frukt- och grönsaksfacket (eller fryslådan) för rengöring. Töm facket och dra ut det tills det är helt öppet. Lyft upp facket från sidoskenorna. Skjut in skenorna helt för att undvika att de skadas när du stänger dörren.



## 7.6 ZON FÖR FÄRSKVAROR. Exakt temperaturkontroll (tillval)

Mat kan hållas fräsch längre om de lagras vid optimal temperatur, men olika typer av mat kräver olika förvaringstemperaturer. Det finns en display för kylådan på lådans högra sida. Temperaturen i lådan kan ställas in med knapparna "FRESH ZONE" (zon för färskvaror) på 0 °C, 3 °C eller 5 °C för att passa kött, frukt och grönsaker samt delikatessprodukter. Se tabellen nedan för rekommenderade inställningar som passar dina lagringsbehov.



Deli [5 °C]	Gröns. [3 °C]	0 °C [0 °C]
Ost	Gurka	Stekar
Skinka	Sallad	Fisk
Salami	Apelsiner	Kallskuret
Oliver	Majs	Fågel

## 7.7 Använda kylskåpsfacket

Kylskåpsfacket är lämpligt för förvaring av grönsaker och frukt. För att undvika att förlora fukt eller att smak sprider sig till andra livsmedel rekommenderas att olika livsmedel paketeras separat.



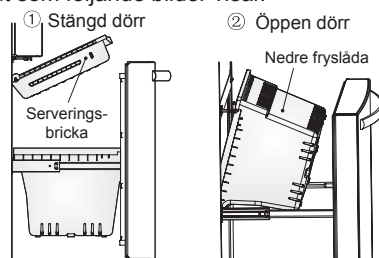
### OBS!

Stäng aldrig dörren när hyllor, fack och/eller teleskopskenor är utdragna. Det kan skada produkten.

## 7.8 Använda fryslådan

Fryslådan är lämplig för förvaring av livsmedel som kräver infrysning, t.ex. kött, glass o.s.v.

Så här tar du bort fryslådan: dra ut den helt, fäll upp serveringsbrickan och lyft ut den. Öppna sedan kylskåpsdörrarna maximalt så kan den nedre fryslådan tas ut som följande bilder visar.



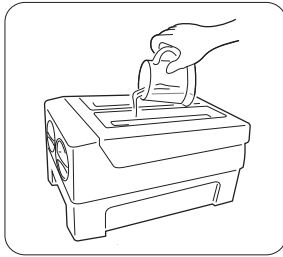
### OBS!

Låt inte barn eller spädbarn komma in i kylskåpet, eftersom de kan skada sig själva eller kylskåpet. Sitt inte på frysdörren. Dörren kan gå sönder. Låt inte barn klättra in i fryskorgen. Om du tar bort avdelaren för att rengöra korgbehållaren måste du sätta tillbaka avdelaren efter rengöringen för att förhindra att barn fastnar inne i korgen.

## 7.9 Vridbar isbricka

Den vridbara isbrickan som gör och lagrar isbitar finns i den övre fryslådan.

1. Fyll på med dricksvatten under markeringen för maximal nivå.
2. Ställ tillbaka den fyllda isbrickan i stödet.
3. Vänta cirka tre timmar och vrid sedan vreden medurs så kommer isen att trilla ner i islådan nedanför.



- Isbitar kan lagras i islådan, så dra ut islådan när du behöver isbitar och plocka ut dem.

**Obs:** Rengör isbrickan innan du använder den för första gången eller om den inte har använts på länge.

## 8. PRAKTISKA RÅD OCH TIPS

### 8.1 Tips för att spara energi

Vi rekommenderar att du följer du tipsen nedan för att spara energi.

- För att spara energi ska du försöka undvika att hålla dörren öppen länge.
- Se till att produkten inte står nära några värmekällor (direkt solljus, elektrisk ugn eller spis o.s.v.).
- Ställ inte in en lägre temperatur än nödvändigt.
- Förvara inte varm mat eller vätskor som förångas i produkten.
- Placera produkten i ett väl ventilerat, fuktfritt rum. Se kapitlet "Installera din nya produkt".
- Vy 1 under avsnittet "Beskrivning av produkten" visar korrekt placering av lådor, fack och hyllor. Ändra inte denna kombination eftersom den är utformad för att vara den mest energieffektiva konfigurationen.

#### Tips för kylning av färska livsmedel

- Placera inte varm mat direkt i kylskåpet eller frysen. Den inre temperaturen kommer att öka vilket gör att kompressorn måste arbeta hårdare och kommer att förbruka mer energi.
- Täck över eller förpacka maten, särskilt om den har stark doft.
- Placera mat så att luft kan cirkulera fritt omkring den.

#### Tips för kylning

- Kött (alla sorter): lägg i plastpåsar avsedda för matvaror och placera på glashyllan ovanför grönsakslådan. Följ alltid anvisningarna för förvaring av livsmedel och det bäst före-datum som föreslås av tillverkaren.

- Tillagad mat, kalla rätter o.s.v.: Dessa bör täckas över och kan placeras på valfri hylla.
- Frukt och grönsaker: Bör förvaras i den medföljande speciallådan.
- Smör och ost: Bör förpackas i paket av lufttät folie eller plastfilm.
- Mjölkförpackningar: Bör vara förslutna och förvaras i dörrhyllorna.

### 8.2 Tips för infrysning

- Låt produkten stå på i minst två timmar med en hög inställning vid första uppstart eller efter en tid i avstängt läge innan du lägger in några matvaror.
- Dela upp livsmedlen i små portioner för snabbare och fullständig infrysning. Sedan kan du dessutom plocka ut och tina endast den mängd du behöver.
- Förpacka livsmedlen i aluminiumfolie eller plastpåsar avsedda för livsmedel och se till att förpackningarna är lufttäta.
- Låt inte färska, ej infrysda livsmedel komma i kontakt med redan infrysda livsmedel för att temperaturen inte ska stiga i de infrysda livsmedlen.
- Frysda produkter kan, om de konsumeras direkt från frysfacket, orsaka frysskador på huden.
- Vi rekommenderar att du märker och daterar varje fryst förpackning för att hålla reda på hur länge den förvarats.



### Tips för förvaring av frysta livsmedel

- Försäkra dig om att frysta livsmedel har lagrats korrekt hos återförsäljaren
- Tinade livsmedel försämras snabbt och bör inte frysas igen. Överskrid inte den förvaringsperiod som anges av livsmedlets tillverkare.

## 8.3 Stänga av produkten

Följande åtgärder ska vidtas för att förhindra mögel på produkten om den behöver stängas av en längre tid.

1. Plocka ur alla matvaror.
2. Koppla bort stickkontakten från eluttaget.
3. Rengör och torka insidan noggrant.
4. Kila fast alla dörrar lätt öppnade så att luft kan cirkulera.

# 9. RENGÖRING OCH SKÖTSEL

Av hygieniska skäl ska produkten (inklusive yttre och inre tillbehör) rengöras regelbundet, minst varannan månad.



### **OBS!**

Produkten får inte vara ansluten till elnätet under rengöring. Risk för elstötar! Stäng av produkten och dra ut kontakten ur eluttaget före rengöring.

## 9.2 Inre rengöring

- Rengör produktens insida regelbundet. Rengöringen går lättare om det inte finns så mycket mat i produkten. Torka insidan av kyl och frys med en svag bikarbonatlösning och skölj sedan med ljummet vatten med hjälp av en urvriden svamp eller trasa. Torka helt torrt innan du sätter tillbaka hyllor och korgar. Torka noggrant alla ytor och löstagbara delar torra.
- Om frysdörren öppnas ofta eller hålls öppen för länge kan ett lager is bildas på frysdelens inre väggar, trots att produkten har automatisk avfrostning. Om isen blir för tjock ska du välja ett tillfälle när livsmedelsinnehållet är lågt och fortsätt på följande sätt:
  1. Ta bort befintliga livsmedel och tillbehörskorgar, koppla bort produkten från eluttaget och låt dörrarna stå öppna. Ventilera rummet ordentligt för att påskynda upptiningen.
  2. Rengör din frys enligt vad beskrivningen ovan när avfrostningen är klar.

## 9.1 Yttre rengöring

För att bibehålla produktens utseende ska du rengöra den regelbundet.

- Torka den digitala panelen och displaypanelen med en ren, mjuk trasa.
- Spreja vatten på rengöringstrasan i stället för att spruta direkt på produktens yta. Detta bidrar till att säkerställa en jämn fördelning av fukt till ytan.
- Rengör dörrar, handtag och skåpytor med ett mildt rengöringsmedel och torka sedan torrt med en mjuk trasa.



### **OBS!**

- Använd inte vassa föremål eftersom de kan repa ytan.
- Använd inte thinner, bilrengöringsmedel, Clorox, eterisk olja, slipande rengöringsmedel eller organiska lösningsmedel såsom bensen för rengöring. De kan skada produktens yta och orsaka brand.



### **VARNING!**

Använd inga vassa föremål för att ta bort is från frysdelen. Sätt på produkten igen när den är helt torr invändigt och åter är ansluten till eluttaget.

### 9.3 Rengöra dörrtätningarna

Se till att hålla dörrtätningarna rena. Klibbig mat och dryck kan göra att tätningarna klibbar fast vid skåpet och slits sönder när du öppnar dörren. Tvätta tätningarna med ett mildt rengöringsmedel och ljummet vatten. Skölj och torka noga efter rengöring.



#### OBS!

Slå inte på produkten förrän dörrtätningarna är helt torra.



#### WARNING!

LED-lampan får inte bytas av användaren! Kontakta kundtjänst för att få hjälp om LED-lampan skadats.

## 10. FELSÖKNING

Om du får problem med produkten eller är orolig för att den inte fungerar korrekt kan du utföra några enkla kontroller innan du kontaktar service. Se nedan. Du kan utföra några enkla kontroller enligt detta avsnitt innan du ringer efter service.



#### WARNING!

Försök inte att själv reparera produkten. Om problemet kvarstår efter att du har gjort de kontroller som anges nedan ska du kontakta en elektriker, auktoriserad servicetekniker eller butiken där du köpte produkten.

Problem	Möjlig orsak och åtgärd
Produkten fungerar inte korrekt	Kontrollera att strömsladden är ordentligt ansluten till eluttaget.
	Kontrollera säkringen eller kretsen för strömförsörjning och byt om det behövs.
	Det är normalt att frysen inte fungerar under det automatiska avfrostningsprogrammet eller under en kort tid efter att produkten har slagits på för att skydda kompressorn.
Lukt från utrymmena	Kylskåpet kan behöva rengöras inuti.
	Vissa livsmedel, behållare eller förpackningar orsakar lukt.
Buller från produkten	Följande ljud är helt normala: Ljud av att kompressorn är igång.
	<ul style="list-style-type: none"> <li>• Ljud orsakat av luft rörelser från den lilla fläktmotorn i frysdelen eller andra utrymmen.</li> <li>• Ett gurglande ljud som liknar ljudet av kokande vatten.</li> <li>• Ett ploppande ljud vid automatisk avfrostning.</li> <li>• Ett klickande ljud innan kompressorn startar.</li> </ul>
	Andra ovanliga ljud som betyder att du behöver kontrollera och vidta åtgärder orsakas av följande: Skåpet står inte plant. Produktens baksida vidrör väggen. Flaskor eller behållare har fallit omkull eller rullar omkring.

Motorn arbetar hela tiden	<p>I följande fall, när motorn måste arbeta mer, är det normalt att ofta höra ljudet av motorn:</p> <ul style="list-style-type: none"> <li>• Temperaturen är inställd på kallare än nödvändigt.</li> <li>• Stora mängder varma livsmedel har nyligen placerats i produkten.</li> <li>• Temperaturen utanför produkten är för hög.</li> <li>• Dörrar hålls öppna under en lång period.</li> <li>• När du har installerat produkten eller när den har varit avstängd under en längre tid.</li> </ul>
Ett lager av is har bildats i utrymmet	<p>Kontrollera att luftutsläppen inte blockeras av livsmedel och se till att livsmedlens placering i produkten tillåter tillräcklig ventilation. Kontrollera att dörren är helt stängd. Information om hur du tar bort is hittar du i avsnittet "Rengöring och skötsel".</p>
Temperaturen inuti är för hög	<p>Du kan ha lämnat dörrarna öppna för länge eller öppnat dem för ofta eller så hålls dörrarna öppna av något hinder. Produkten kan också stå på en plats med otillräckligt spel kring sidorna, baksidan och ovasidan.</p>
Temperaturen inuti är för låg	<p>Höj temperaturen genom att följa instruktionerna i kapitlet "Displayreglage".</p>
Dörrarna går inte att stänga lätt	<p>Kontrollera att den övre delen av kylskåpet är lutad bakåt 10–15 mm så dörrarna kan stängas av sig själva och att ingenting inuti hindrar dörrarna från att stängas.</p>
Vatten droppar på golvet	<p>Vattenkärlet (som sitter på den bakre, nedre delen av skåpet) står ojämnt, tömningspipen (som sitter under den övre delen av kompressorn) är felriktad så att vattnet inte rinner till kärlet, eller så är vattenpipen blockerad. Du kan behöva dra ut kylskåpet från väggen för att kontrollera kärlet och pipen.</p>
Lampan fungerar inte	<p>LED-lampan är skadad. Se avsnittet om att byta ut LED-lampor i kapitlet "Rengöring och skötsel". Kontrollsystemet har inaktiverat lamporna eftersom dörren stått öppen för länge. Stäng dörren och öppna den igen för att aktivera lamporna på nytt.</p>
Dörrarna öppnas inte mjukt	<p>Kontrollera dörrtätningen och rengör gummipackningen runt dörrens kanter med diskmedel och ljummet vatten om det behövs. Smuts kan samlas här och göra att dörren klibbar fast vid kylskåpet.</p>

## 11. KASSERA PRODUKTEN

Kylskåpet är byggt av återvinningsbara material. Det måste kasseras enligt gällande lokala föreskrifter för avfallshantering. Produkten innehåller en liten mängd kylmedel (R600a) i kylkretsen. För din säkerhet ska du läsa avsnittet om "kylmedlet och brandrisk" i denna instruktionsbok innan du skrotar

produkten. Klipp av strömsladden för att göra kylskåpet oanvändbart och ta bort dörrtätningen och låset. Var försiktig med kylsystemet för att inte skada det genom att punktera kylmedelsbehållaren och/eller böja slangen och/eller skrapa ytbeläggningen.

### Korrekt kassering av denna produkt



Denna symbol på produkten eller förpackningen anger att produkten inte får behandlas som hushållsavfall. Den ska i stället lämnas in på lämplig återvinningsstation för återvinning av de elektriska och elektroniska komponenterna. Genom att säkerställa en korrekt kassering av denna produkt bidrar du till att förhindra potentiella, negativa konsekvenser för vår miljö och vår hälsa, som kan bli följden om produkten inte kasseras på rätt sätt. Om du vill ha mer information om återvinning av denna produkt ska du kontakta de lokala myndigheterna, ortens renhållningstjänst eller butiken där du köpte produkten.

## 12. TEKNISKA DATA

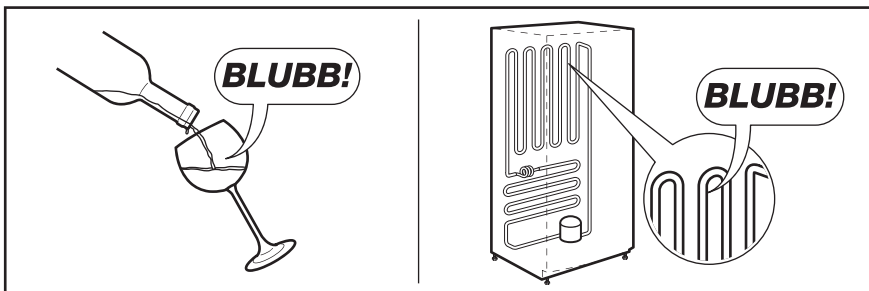
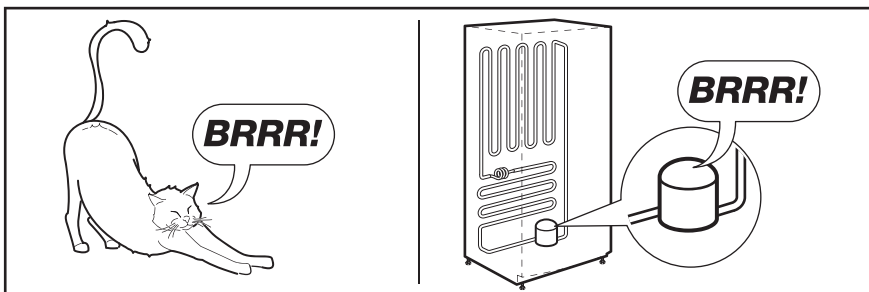
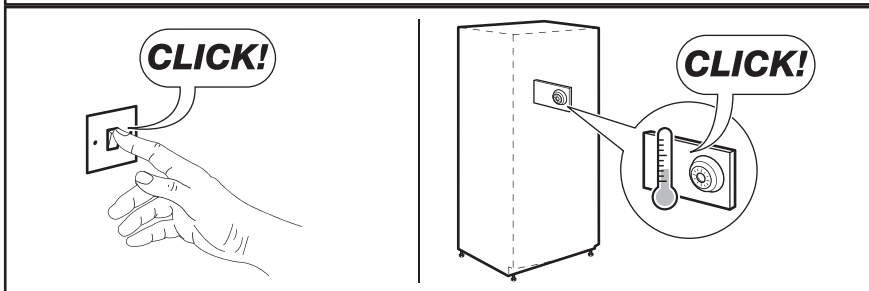
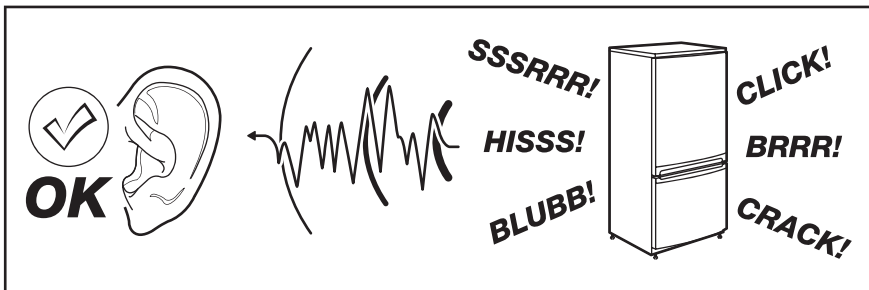
Mått	
Höjd	1 766 mm
Bredd	912 mm
Djup	765 mm
Temperaturökningstid	12 timmar
Nätspänning	220–240 V
Frekvens	50 Hz

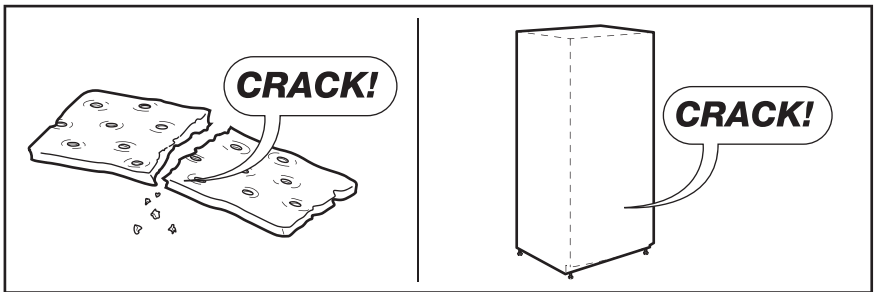
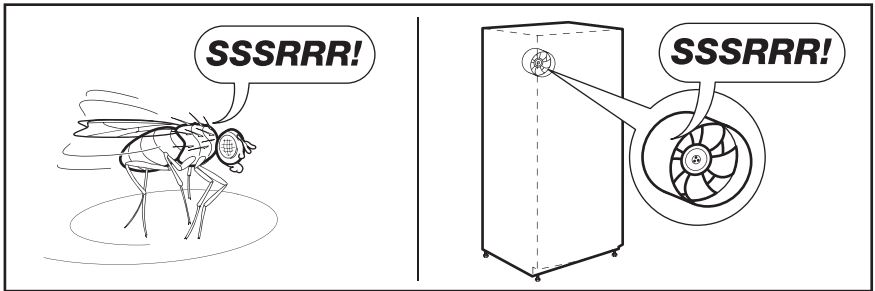
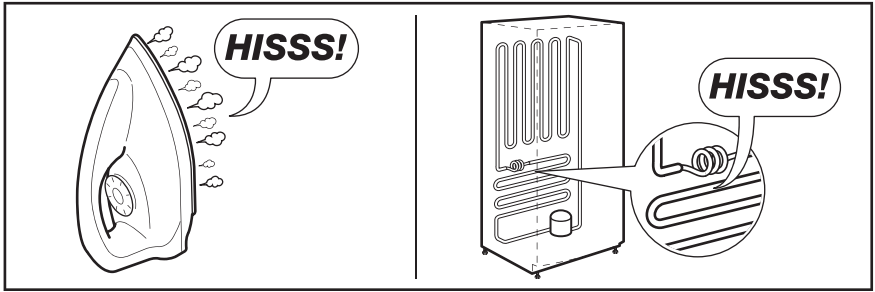
Den tekniska informationen anges på typskylten som sitter till vänster inne i produkten samt på energidekalen.



# 13. BULLER

Vissa ljud hörs under normal användning  
(kompressor, cirkulation av köldmedel).









## INNHold

1. SIKKERHETSINFORMASJON .....	315
2. SIKKERHETSANVISNINGER.....	316
3. MILJØVERN.....	317
4. BESKRIVELSE AV PRODUKTET .....	318
5. MONTERE DITT NYE PRODUKT .....	320
6. SKJERMKONTROLLER .....	322
7. BRUKE PRODUKTET.....	324
8. NYTTIGE TIPS OG RÅD.....	328
9. RENGJØRING OG VEDLIKEHOLD.....	329
10. FEILSØKING.....	330
11. AVHENDING AV PRODUKTET.....	332
12. TEKNISKE DATA.....	332
13. STØY.....	333

## FOR PERFEKTE RESULTATER

Takk for at du valgte dette Electrolux-produktet. Vi har konstruert det for å gi deg perfekt ytelse i mange år, med innovativ teknologi som bidrar til å gjøre livet enklere og egenskaper som du kanskje ikke finner i ordinære produkter. Vi ber deg bruke noen minutter på å lese denne bruksanvisningen, slik at du kan få mest mulig ut av produktet.

### Gå inn på nettstedet vårt for:



Råd om bruk, brosjyrer, feilsøking, serviceinformasjon:  
**[www.electrolux.com](http://www.electrolux.com)**



Registrer produktet ditt for å få bedre service:  
**[www.electrolux.com/productregistration](http://www.electrolux.com/productregistration)**




Kjøp tilbehør, forbruksvarer og originale reservedeler til produktet ditt:  
**[www.electrolux.com/shop](http://www.electrolux.com/shop)**

## KUNDESTØTTE OG SERVICE

Bruk alltid originale reservedeler.

Når du kontakter vårt autoriserte servicesenter, må du ha følgende informasjon tilgjengelig: modell, produktnummer, serienummer.

Informasjonen finner du på typeskiltet.

 Advarsel/forsiktig – sikkerhetsinformasjon.

 Generell informasjon og tips

 Miljøinformasjon

Med forbehold om endringer.



# 1. SIKKERHETSINFORMASJON

Les instruksjonene nøye før montering og bruk av produktet. Produsenten er ikke ansvarlig for eventuelle skader som skyldes feilaktig montering og bruk. Oppbevar produktets instruksjoner for fremtidig bruk.

## 1.1 Sikkerhet for barn og utsatte personer

- Dette produktet kan brukes av barn fra 8 år og oppover og personer med reduserte fysiske, sensoriske eller mentale evner eller manglende erfaring og kunnskap dersom de har tilsyn eller får instruksjon i sikker bruk av produktet og forstår hvilke farer som kan inntreffe.
- Ikke la barn leke med produktet.
- Rengjøring og vedlikehold skal ikke gjøres av barn med mindre de har tilsyn.
- Oppbevar all emballasje utilgjengelig for barn.

## 1.2 Generelt om sikkerhet

- Dette produktet er kun ment for bruk i husholdninger og liknende bruk som:
  - gårdshus, personalkjøkken i butikker, kontorer og andre arbeidsmiljøer
  - av gjester på hoteller og moteller og beboere i andre boligtyper
- Hold ventilasjonsåpningene, i produktets kabinett eller innebygde struktur, fri for hindringer.
- Ikke bruk mekaniske redskaper eller annet utstyr som ikke produsenten har anbefalt for å gjøre avrimingsprosessen raskere.
- Ikke ødelegg kjølemiddelkretsen.
- Ikke bruk elektriske apparater inne i skapet, hvis de ikke er av en type som anbefales av produsenten.
- Ikke bruk spylevann eller damp til å rengjøre produktet.
- Rengjør produktet med en fuktig, myk klut. Bruk kun nøytrale rengjøringsmidler. Du må aldri bruke skurende oppvaskmidler, skuresvamper, løsemidler eller metallgjenstander.
- Ikke lagre eksplosjonsfarlige stoffer, som spraybokser med brennbar drivgass, i dette produktet.
- Dersom strømforsyningskabelen er skadet, må den kun skiftes av et autorisert serviceverksted.

- Hvis apparatet har en ismaskin eller vanddispenser, må disse kun fylles med vann som er drikkelig.
- Hvis apparatet skal kobles til vann, må du kun koble det til en vannforsyning med drikkelig vann.
- Driftsvanntrykket (minimum og maksimum) må være mellom 1 bar (0,1 MPa) og 10 bar (1 MPa)

## 2. SIKKERHETSANVISNINGER

### 2.1 Montering



#### ADVARSEL!

Dette produktet må monteres av en kvalifisert person.

- Fjern all emballasje.
- Ikke monter eller bruk et skadet produkt.
- Følg monteringsinstruksjonene som følger med produktet.
- Vær alltid forsiktig når du flytter produktet, fordi det er tungt. Bruk alltid vernehansker.
- Sørg for at luften kan sirkulere rundt produktet.
- Vent minst 4 timer før du kobler produktet til strømforsyningen. Dette er for at oljen skal kunne renne tilbake i kompressoren.
- Ikke installer produktet i nærheten av radiatorer, komfyrer, ovner eller kokeplater.
- Baksiden av produktet må stå mot veggen.
- Ikke monter produktet i direkte sollys.
- Ikke monter dette produktet i for fuktige eller for kalde områder, for eksempel i tilbygg, garasjer eller vinkjellere.
- Når du skal flytte produktet, må du løfte det etter fronten for ikke å skrape opp gulvet.

### 2.2 Elektrisk tilkøpling



#### ADVARSEL!

Fare for brann og elektrisk støt.

- Produktet må være jordet.
- Kontroller at det er samsvar mellom den elektriske informasjonen på typeskiltet og strømforsyningen i huset. Hvis det ikke er det, må du kontakte en elektriker.
- Bruk alltid en korrekt montert, jordet stikkontakt.
- Ikke bruk doble stikkontakter eller skjøteledninger.
- Sørg for ikke å forårsake skade på elektriske komponenter (f. eks støpsel, strømkabel, kompressor). Ta kontakt med servicesenteret eller en elektriker for å endre de elektriske komponentene.
- Strømkabelen må ligge under nivået til støpselet.  
Ikke sett støpselet i stikkontakten før monteringen er fullført. Kontroller at det er tilgang til stikkontakten etter monteringen.  
Ikke trekk i strømkabelen når du kobler fra produktet. Trekk alltid i selve støpselet.

## 2.3 Bruk



### ADVARSEL!

Fare for skade, brannskader, elektrisk støt eller brann.

- Produktets spesifikasjoner må ikke endres.
- Ikke legg elektriske produkter (f. eks iskremmaskin) inn i produktet med mindre slik anvendelse er oppgitt av produsenten.
- Vær forsiktig så du ikke forårsaker skade på kjølemiddelkretsen. Den inneholder isobutan (R600a), en naturgass uten innvirkning på miljøet. Denne gassen er brannfarlig.
- Dersom det skulle oppstå skade på kjølemiddelkretsen, må du kontrollere at det ikke er flammer og antenningskilder i rommet. Ventiler rommet godt.
- Ikke la varme artikler komme i nærheten av plastdelene til produktet.
- Ikke legg kullsyreholdig drikke i fryseren. Dette vil skape press på beholderen.
- Ikke oppbevar lett antenneelig gass eller væske i produktet.
- Ikke legg brennbare produkter, eller gjenstander som er fuktet med brennbare produkter, inn i eller i nærheten av produktet.
- Ikke berør kompressoren eller kondensatoren. De er varme.
- Ikke berør eller ta ut varer fra fryseren med våte/fuktige hender.
- Ikke frys mat om igjen som er tinet.
- Følg oppbevaringsinstruksjonene på emballasjen for frossen mat.

## 2.4 Innvendig belysning

- Lampetypen som brukes i dette produktet, egner seg ikke til rombelysning.

## 2.5 Rengjøring og vedlikehold



### ADVARSEL!

Fare for personskade eller skade på produktet.

- Slå av produktet og trekk støpselet ut av stikkkontakten før vedlikehold.
- Dette produktet inneholder hydrokarbon i kjøleenheten. Vedlikehold og etterfylling av enheten må kun foretas av en kvalifisert person.
- Undersøk regelmessig avløpsrøret til produktet, og rengjør om nødvendig. Hvis avløpet er blokkert, vil vann som har tinet, samle seg i bunnen av produktet.

## 2.6 Kassering

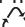


### ADVARSEL!


Fare for skade og kvelning.

- Koble produktet fra strømmen.
- Kutt av strømkabelen og kast den.
- Fjern døren for å hindre at barn eller dyr blir stengt inne i produktet.
- Kjølemiddelkretsen og isolasjonsmaterialet til dette produktet er ozon-vennlig.
- Isolasjonsskummet inneholder brennbare gasser. Kontakt kommunen din for å få informasjon om hvordan du kaster produktet på en riktig måte.
- Ikke forårsak skade på den delen av kjøleenheten som er nær varmeveksleren.

## 3. MILJØVERN

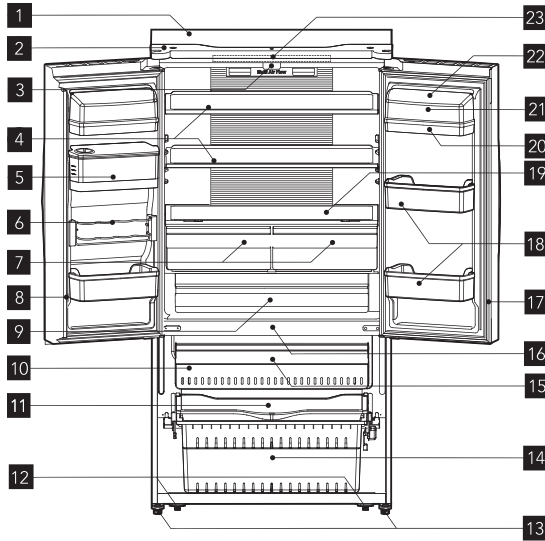
Resirkuler materialer som er merket med symbolet .

Legg emballasjen i riktige beholdere for å resirkulere det. Hjelp til med å beskytte miljø og mennesker ved å resirkulere avfall fra elektriske og elektroniske

apparater. Ikke kast produkter som er merket med symbolet , sammen med husholdningsavfall. Ta med produktet til ditt lokale resirkuleringsanlegg, eller kontakt noen i kommunen din for å få hjelp.

## 4. BESKRIVELSE AV PRODUKTET

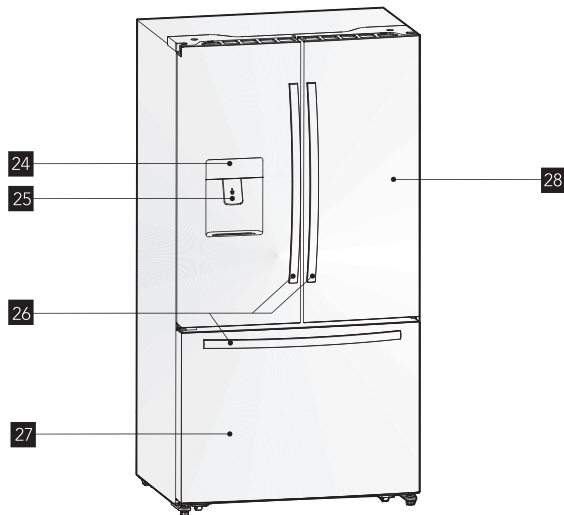
### 4.1 Produktvisning 1



- |   |   |
|---|---|
| <b>1</b> Kabinett                         | <b>13</b> Justerbare føtter                 |
| <b>2</b> Toppdeksel                       | <b>14</b> Nedre fryzerskuff                 |
| <b>3</b> Vertikal ledeskinne              | <b>15</b> Øvre fryzerskuff                  |
| <b>4</b> Glasshylle                       | <b>16</b> LED-lys for fryser (innvendig)    |
| <b>5</b> Oppbevaringsboks for vann        | <b>17</b> Dørpakning for kjøleskap          |
| <b>6</b> Fleksibel hylle for drikkebokser | <b>18</b> Nedre hylle                       |
| <b>7</b> Frukt- og grønnsaksskuff         | <b>19</b> Grønnsaksskuffdeksel              |
| <b>8</b> Vertikal ledeplatedel            | <b>20</b> Øvre hylle                        |
| <b>9</b> Mitt ferske valg                 | <b>21</b> Eggholder (innvendig)             |
| <b>10</b> Vribart isbrett (innvendig)     | <b>22</b> Hylledeksel                       |
| <b>11</b> Serveringsbrett                 | <b>23</b> LED-lys for kjøleskap (innvendig) |
| <b>12</b> Ruller                          |   |



## 4.2 Produktvisning 2



**24** Visningsskjerm

**25** Kaldtvannsdispenser

**26** Håndtak

**27** Fryserdør

**28** Kjøleskapsdør

**Merk:** Siden vi stadig forbedrer produktene våre, kan kjøleskapet ditt være litt forskjellig fra illustrasjonen over, men funksjonene og bruksmetodene er de samme.

**Merk:** For at produktet skal oppnå best energieffektivitet, må du plassere alle hyller, skuffer og kurver i de opprinnelige posisjonene slik illustrasjonen ovenfor viser.



Dette produktet selges i Frankrike. I samsvar med forskriftene i dette landet må det leveres med en spesialenhet (se figur) plassert i kjøleskapets nedre seksjon som skal vise den kaldeste sonen.

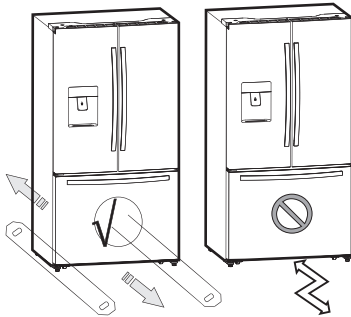
## 5. MONTERE DITT NYE PRODUKT

Dette avsnittet forklarer monteringen av det nye produktet før du bruker det for første gang. Vi anbefaler at du leser følgende



### ADVARSEL!

For å montere dette kjøleskapet på riktig måte må det plasseres på et jevnt og hardt underlag som er på samme høyde som resten av gulvet. Overflaten skal være sterk nok til å bære et fullt kjøleskap eller omtrent 120 kg. Når du flytter kjøleskapet, må det trekkes ut og skyves tilbake i en rett linje. tips:



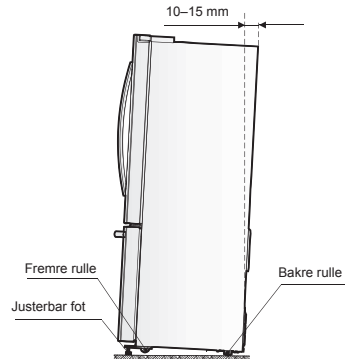
Klasse	Symbol	Område for omgivelsestemperatur (°C)
Temperert, utvidet	SN	+10 til +32
Temperert	N	+16 til +32
Subtropisk	ST	+16 til +38
Tropisk	T	+16 til +43

### 5.1 Vatring av produktet

Produktet er utstyrt med justerbare føtter foran for riktig vatring og for å unngå vibrasjoner. Juster nivået ved å følge instruksjonene nedenfor:

1. Rull kjøleskapet på plass.
2. Skru på de justerbare føttene (med fingrene eller en egnet skiftenøkkel) til de berører gulvet.

3. Vipp toppen omtrent 10–15 mm bakover ved å vri føttene enda 1–2 omdreininger. Dette gjør at dørene lukker seg av seg selv og tetningen virker skikkelig.
4. Når du vil flytte produktet på nytt, må du huske å vri føttene tilbake opp slik at det kan rulle fritt. Monter produktet om igjen etter flytting.

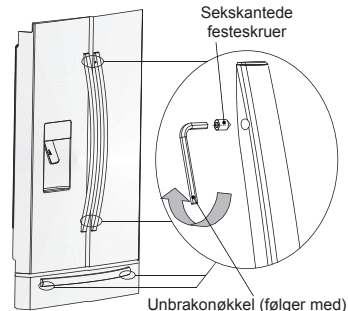


### ADVARSEL!

Rullene er ikke svinghjul, og de skal bare brukes til å bevege produktet forover eller bakover. Flytting av kjøleskapet sidelengs kan skade gulvet og rullene.

### 5.2 Justering av dørhåndtaket

Før du bruker produktet, må du sjekke kjøleskaphåndtakene. Hvis håndtakene er løse, må du justere dem ved å bruke en unbrakonøkkel og skru i retning med klokken til håndtakene er godt festet. Hvert håndtak er festet med 2 skruer.

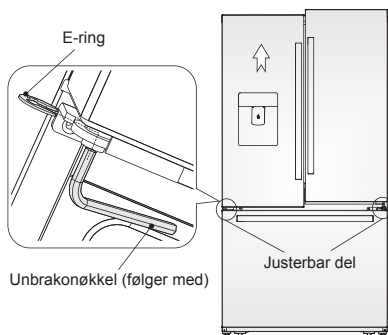






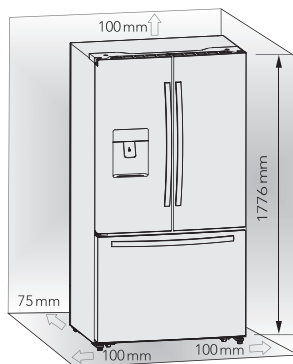
### 5.3 Justering av dørene

- Både venstre og høyre dør er utstyrt med justerbare akser som er plassert i de nedre hengslene.
- Før dørene justeres, må du sørge for at kjøleskapet står i vater. Se det forrige avsnittet Votring av produktet. Hvis toppen av dørene er ujevne i forhold til hverandre, setter du unbrakonøkkel inn i hengselakselen og vrir med klokken for å heve døren eller mot klokken for å senke døren. Deretter setter du inn en E-ring i åpningen.

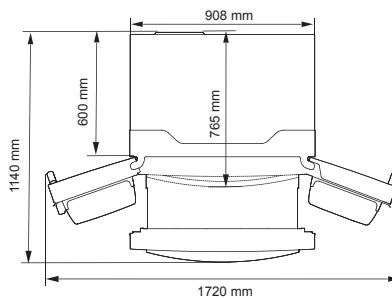


### 5.4 Ventilasjon av produktet

Det er nødvendig å opprettholde riktig ventilasjon rundt produktet, noe som fjerner varme, forbedrer effektiviteten til kjølesystemet og sparer energi. Derfor må du sørge for tilstrekkelig med plass rundt kjøleskapet, og området må ikke ha hindringer som påvirker luftsirkulasjonen.



**Forslag:** Bruk avstandene som vises på illustrasjonen ovenfor, til å sikre at produktet fungerer riktig.



## 6. SKJERMKONTROLLER

Alle funksjoner og kontroller på enheten er tilgjengelige fra et kontrollpanel som er praktisk plassert på kjøleskapsdøren. Tastatur med berøringsknapper og digital skjerm gjør det mulig å konfigurere funksjoner og innstillinger på en enkel og intuitiv måte.

**Viktig!** Berøringsknappene krever kun et kort trykk for å aktiveres.

Aktivering skjer når fingeren fjernes fra knappen, ikke mens knappen er trykket inn. Du trenger ikke å legge press på tastaturet. Funksjonen for

barnesikring som er knyttet til Alarm-knappen, krever et trykk som varer i minst 3 sekunder. Se i de relaterte delene av brukerhåndboken for detaljerte instruksjoner. Kontrollpanelet består av to indikatorområder for temperatur, fem ikoner som viser forskjellige moduser og seks berøringsknapper. Når du slår på produktet for første gang, tennes ikonenes bakgrunnslys på skjermpanelet. Hvis ingen knapper trykkes inn og dørene holdes lukket, slås bakgrunnslyset av etter 60 sekunder.



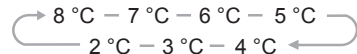
### Kontrollere temperaturen

Vi anbefaler at du stiller inn temperaturen for kjøleskapet til 5 °C og fryseren til -18 °C når du starter kjøleskapet for første gang. Dersom du ønsker å endre temperaturen, følger du instruksjonene nedenfor.

**⚠ FORSIKTIG!**  
Når du stiller inn en temperatur, angir du en gjennomsnittstemperatur for hele kjøleskapet. Temperaturene inne i hver beholder kan avvike fra temperaturverdiene som vises på panelet, avhengig av hvor mye mat du oppbevarer og hvor du plasserer den. Omgivelsestemperaturen kan også påvirke den faktiske temperaturen inne i produktet.

### 6.1 Kjøleskap

Trykk på Kjøleskap-knappen flere ganger for å angi ønsket kjøleskapstemperatur mellom 8 og 2 °C. Temperaturen reduseres 1 grad celsius for hvert trykk, og kjøleskapets temperaturindikator viser tilsvarende verdi i henhold til følgende sekvens.



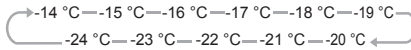
### 6.2 Hurtig kjøling

**Fast Cool** Hvis du skal legge inn en større mengde romtemperert mat, for eksempel etter at du har handlet, foreslår vi at du aktiverer Hurtig kjøling-funksjonen først. Dette gjør at matvarene avkjøles raskere, og du unngår at matvarene som allerede befinner seg i kjøleskapet, varmes opp.

- Trykk på Hurtig kjøling-knappen for å aktivere denne funksjonen. Hurtig kjøling-ikonet lyser, og indikatoren for kjøleskapstemperaturen viser 2 °C.
- Hurtig kjøling slås av automatisk etter omtrent 6 timer.
- Trykk på Hurtig kjøling eller Kjøleskap for å avbryte modus for hurtig kjøling og gå tilbake til forrige temperaturinnstillinger.

### 6.3 Fryse

Trykk på Fryser-knappen for å angi ønsket frysertemperatur mellom -14 og -24 °C, og indikatoren for frysertemperaturen viser tilsvarende verdi i henhold til følgende sekvens.



### 6.4 Hurtig nedfrysing



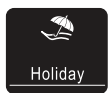
Hurtig nedfrysing kan senke frysertemperaturen raskt og fryse maten din vesentlig raskere enn vanlig.

Trykk på Hurtig nedfrysing-knappen for å aktivere funksjonen for hurtig nedfrysing. Hurtig nedfrysing-ikonet lyser, og innstillingen for frysertemperaturen viser -24 °C.

- Hvis du bruker produktet for første gang, eller hvis produktet ikke har vært i bruk på en stund, må du gi det 6 timer med normal drift før du bruker Hurtig nedfrysing-modusen. Dette er spesielt viktig hvis du plasserer en stor mengde mat i fryseren.
- Hurtig nedfrysing slås automatisk av etter 26 timers bruk, og frysertemperaturen faller under -20 °C.
- Trykk på Hurtig nedfrysing eller Fryser for å avbryte modus for hurtig nedfrysing og gå tilbake til forrige temperaturinnstillinger.

**Merk:** Når du velger Hurtig nedfrysing-funksjonen, må du sørge for at det ikke finnes flasker eller drikkebokser (spesielt kullsyreholdige drikker) i fryseren. Flasker og bokser kan eksplodere.

### 6.5 Holiday



Denne funksjonen er designet for å minimere energiforbruket og strømgregningene mens kjøleskapet ikke er i bruk over en lengre periode. Du kan aktivere funksjonen ved å trykke kort på Holiday-knappen inntil ikonet for feriefunksjonen tennes.

**Viktig!** Ikke oppbevar matvarer i kjøleskapet i løpet av denne tiden.

- Når feriefunksjonen er aktivert, stiller kjøleskapstemperaturen seg automatisk til 15 °C for å minimere strømforbruket. Innstillingen for kjøleskapstemperatur viser tegnet "-", og fryseren forblir på.
- Trykk på Ferie-knappen for å avbryte feriemodus og gå tilbake til forrige temperaturinnstillinger.

### 6.6 Alarm



Dersom alarmen aktiveres, tennes Alarm-ikonet, og du vil høre en summende lyd.

Trykk på Alarm-knappen for å stoppe alarmen og den summende lyden. Deretter slås Alarm-ikonet av.



#### FORSIKTIG!

Når kjøleskapet slås på etter en periode uten bruk, kan alarmen bli aktivert. I et slikt tilfelle trykker du på Alarm-knappen for å avbryte den.

### Døralarm

Hvis Alarm-lyset er på og en summende lyd høres, indikerer dette unormale forhold, for eksempel at døren ved et uhell står åpen eller at det har oppstått et strømbrudd i enheten.

- Forlater du døren til kjøleskapet eller fryseren åpen i over to minutter vil dette aktivere en døralarm og et lydsignal. Lydsignalet piper tre ganger per minutt i 10 minutter. Ved å lukke døren slår du av døralarmen og lydsignalet.
- For å spare energi bør du unngå å ha dørene åpne over lang tid når du bruker kjøleskapet. Døralarm kan også avbrytes ved å lukke dørene.

## Temperaturalarm

Dette er en viktig funksjon som varsler brukere om potensiell skade på lagret mat. Hvis det oppstår et strømbrudd, for eksempel i boligområdet mens du er borte, vil temperaturalarmen lagre frysertemperaturen slik den var da strømmen kom tilbake. Det frosne innholdet hadde sannsynligvis denne temperaturen før strømbruddet. Temperaturalarmen angis med alarmlys og lydsignal når temperaturavlesningen er varmere enn  $-9^{\circ}\text{C}$ . Deretter skjer følgende:

- a- Alarm-ikonet tennes.
- b- Indikatoren for frysertemperatur viser H.
- c- Lydsignalet piper 10 ganger når alarmen utløses, og stopper automatisk.

## Barnesikring



Trykk på og hold inne Alarm-knappen i 3 sekunder for å aktivere barnesikringen. Dette deaktiverer visningen for å unngå at du endrer innstillingene utilsiktet. Samtidig lyser Barnesikring-ikonet.

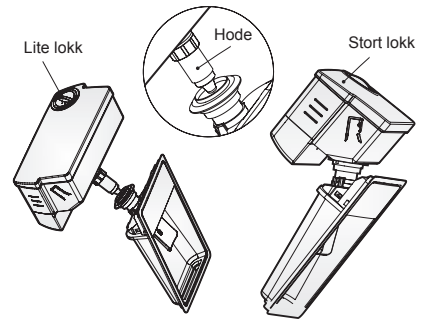
- For å slå barnesikringen av trykker du på Alarm-knappen i tre sekunder. Barnesikring-ikonet slås av.

## 7. BRUKE PRODUKTET

### 7.1 Kaldtvannsdispenser

Kaldtvannsdispenseren, plassert i den venstre kjøleskapsdøren, brukes til lagring av drikkevann. Denne funksjonen gir deg avkjølt vann på en enkel måte uten at du trenger å åpne døren.

- Rengjøring  
Rengjør vanndispenseren før du bruker den for første gang.  
Trinn 1: Dra ut vanndispenseren.  
Trinn 2: Vask den med rent vann.  
Trinn 3: Tørk den.
- Montering  
Følg disse instruksjonene for å sette dispenseren på plass igjen.
  1. Ta et godt tak i vannbeholderen på begge sider, og løft den opp foran kjøleskapet og plasser den i åpningen.
  2. Skru av hodet i retning mot klokken.
  3. Sett dem tilbake på døren, og skyv beholderen til du hører en klikkelyd.



#### ADVARSEL!

Når du setter vannbeholderen inn, må du sørge for at hodet sitter riktig i hullet først.

#### Påfylling av vann

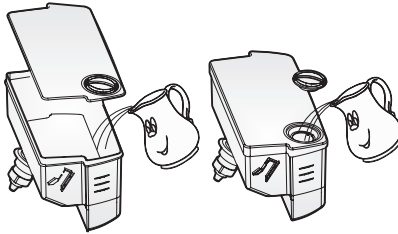
Før du fyller drikkevann i beholderen, må du sørge for at vannbeholderen står stødig og at den er i riktig posisjon. Fyll vannbeholderen opp til merket for maksimalt nivå, som er omtrent 4 liter, for å hindre at vannet renner over og søler. Du kan fylle vannbeholderen på to måter:



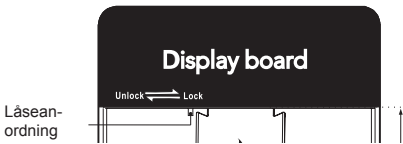
1. Ved å fjerne det lille lokket og fylle vann gjennom åpningen på det store lokket.
2. Ved å fjerne det store lokket på beholderen og deretter fylle vann direkte i beholderen.

**FORSIKTIG!**

Ikke hell andre væsker enn vann i beholderen.



- Lås  
Før du tapper vann, må du sørge for at dispenseren er i ulåst posisjon. Låseenheten finnes under visningsskjermen, som vist på bildet:

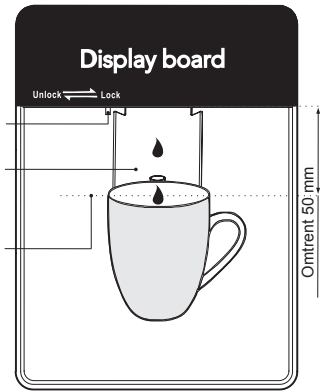
**ADVARSEL!**

Låsefunksjonen brukes til å låse enheten. Ikke skyv hardt på dispenserspaken når dispenseren er i låst posisjon. Dette kan skade og ødelegge dispenseren.

- Bruke vanddispenseren  
Du bør bruke en egnet koppstørrelse når du skal fylle vann fra dispenseren.

**ADVARSEL!**

Ikke trekk dispenserspaken ut uten en kopp under. Dette kan føre til at vannet lekker fra dispenseren. Hold enheten for vanntilførsel montert mens vanddispenseren er ute av bruk for å hindre lekkasje av kaldluft.



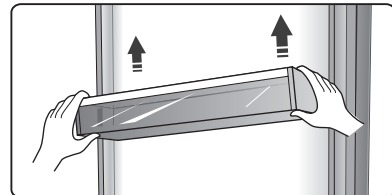
**Merk:** Hyppig bruk av vanddispenseren kan søle dråper på brettet, noe som kan føre til at vannet til slutt renner over. Tørk brettet med et håndkle etter behov.

## 7.2 Dørhylle

Kjøleskapet er utstyrt med dørhyller som er egnet for lagring av bokser med flytende innhold, drikkeflasker og mat i emballasje. Ikke plasser store mengder med mat og varer i dørhyllene.

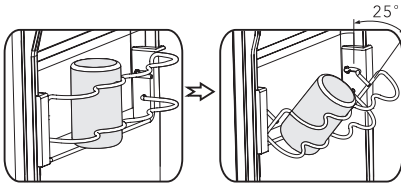
- Den midterste dørhyllen er designet slik at den kan justeres i høyden og tilpasses ditt behov. Tøm hyllen før du løfter og tar den ut. Deretter flytter du den til ønsket høyde.

**Merk:** Det følger med en eggholder som bør plasseres i den øvre hyllen.



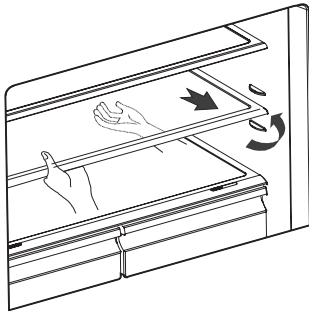
### 7.3 Hylle for drikkebokser

- I denne hyllen kan du lagre opptil fire bokser av standard størrelse, men hyllen er ikke egnet for bokser med en diameter mindre enn 50 mm. Hyllen kan også vippes 25° ut fra døren ved behov for å gjøre det enklere å sette inn eller ta ut drikkebokser.

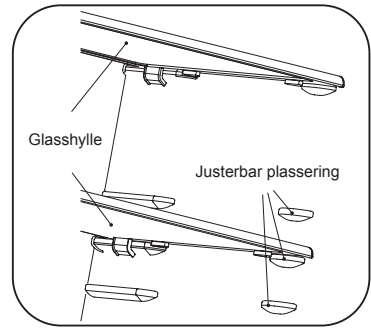


### 7.4 Glasshyller

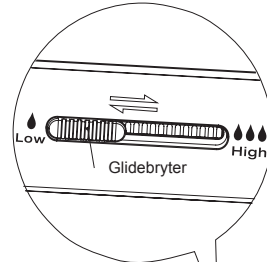
Kjøleskapet er utstyrt med to glasshyller. Den øverste hyllen er designet for å være fastmontert, mens den nedre hyllen er justerbar. Det finnes tre mulige plasseringer for den nedre hyllen. Juster hyllens høyde slik det passer dine behov:



- Når du skal ta ut hyllene, må du dra dem forsiktig frem til de kommer ut av føringene.
- Når du setter hyllene tilbake, må du sjekke for hindringer bak og deretter skyve hyllene inn i posisjon.



### 7.5 Kontroll over grønnsaksskuff og fuktighet

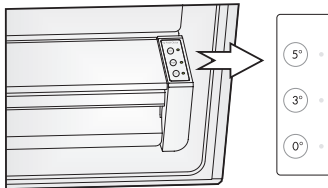


I grønnsaksskuffen, som er montert på skinner med teleskopforlengelse, kan du lagre grønnsaker og frukt. Du kan justere fuktigheten i skuffen ved hjelp av glidebryteren.

- Fuktighetskontrollen justerer luftstrømmen i grønnsaksskuffen. Høyere luftstrøm gir lavere fuktighet. Skyv fuktighetskontrollen til høyre for å øke fuktigheten.
- Høy fuktighetsinnstilling anbefales for grønnsaker, mens lav fuktighet er egnet for bevaring av frukt.
- Følg disse enkle instruksjonene for å fjerne grønnsaksskuffen eller fryserkuffen for rengjøring. Tøm grønnsaksskuffen, og trekk den ut til helt åpen posisjon. Løft grønnsaksskuffen fra sideskinnene. Skyv skinnene helt inn for å unngå å skade dem når du lukker døren.

## 7.6 LAGRINGSSONE Nøyaktig styring av temperatur (tilleggsutstyr)

Mat kan bevares frisk i lengre perioder når den lagres ved optimal temperatur, men ulike mattyper krever forskjellige lagringstemperaturer. Det finnes en visning for avkjølede skuff på høyre side av skuffen. Ved å bruke Lagringssoneknappene kan temperaturen i skuffen angis ved 0, 3 og 5 °C, som passer til henholdsvis kjøtt, frukt og grønnsaker eller delikatessprodukter. Se tabellen nedenfor for anbefalte innstillinger som passer ditt lagringsbehov.



Delikat. [5 °C]	Grønns. [3 °C]	0 °C [0 °C]
Ost	Agurk	Biffer
Skinke	Salat	Fisk
Salami	Appelsiner	Kjøttpålegg
Oliven	Mais	Fjærkre

## 7.7 Bruke kjøleskapet

Kjøleskapet er egnet for lagring av grønnsaker og frukt. Separat emballasje for ulike matvarer anbefales for å unngå at mat mister fuktighet eller at smak trenger inn i andre matvarer.



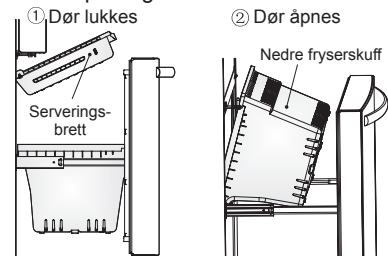
### FORSIKTIG!

Ikke lukk dørene mens hyllene, grønnsaksskuffen og/eller de teleskopiske skinnene er utvidet. Det kan skade produktet.

## 7.8 Bruke fryserskuffen

Fryserskuffen er egnet for oppbevaring av frossen mat, for eksempel kjøtt, iskrem osv.

Hvis du skal fjerne fryserskuffen, må du dra skuffen helt ut, vippe opp og løfte ut serveringsbrettet og deretter åpne kjøleskapsdørene til maksimal vinkel, slik at den nedre fryserskuffen kan tas ut, som vist på følgende bilder.



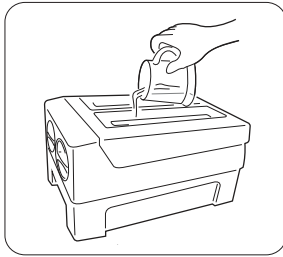
### FORSIKTIG!

Ikke la babyer eller barn gå inn i kjøleskapet, de kan skade seg selv eller kjøleskapet. Ikke sitt på fryserdøren. Døren kan gå i stykker. Ikke la barn klatre inn i fryserkurven.

Hvis du fjerner skilleveggen for å rengjøre kurvbeholderen, må du montere skilleveggen tilbake etterpå for å hindre at barn kan bli sperret inne i kurven.

## 7.9 Vribart isbrett

- Det vribare isbrettet er plassert i øvre fryserskuff, og det er til for å lage og lagre isbiter.
  1. Fyll med drikkevann opp til merket for maksimalt nivå.
  2. Plasser det fylte isbrettet tilbake i braketten.
  3. La det gå omtrent tre timer før du vrir knappene med klokken. Da faller isen ned i isboksen under.



4. Isbiter kan lagres i isboksen. Hvis du trenger dem, kan du dra ut isboksen og ta dem ut.

**Merk:** Hvis isbrettet brukes for første gang eller ikke har vært i bruk på en lang stund, må du rengjøre det først.

## 8. NYTTIGE TIPS OG RÅD

### 8.1 Tips til energisparing

Vi anbefaler at du følger rådene nedenfor for å spare energi.

- Forsøk å unngå å holde døren åpen lenge av gangen for å spare energi.
- Sørg for at produktet ikke kommer i nærheten av varmekilder (direkte sollys, elektrisk ovn eller komfyr osv.).
- Ikke still inn temperaturen kaldere enn nødvendig.
- Ikke oppbevar varm mat eller dampende væsker i produktet.
- Plasser produktet i et tørt rom med god ventilasjon. Se kapittelet Montere ditt nye produkt.
- Produktvisning 1 i delen Beskrivelse av produktet viser riktig plassering av skuffer, grønnsaksskuffer og hyller. Ikke juster kombinasjonen siden dette er den mest energieffektive konfigurasjon.

#### Tips til kjøling av ferske matvarer

- Ikke sett varm mat direkte inn i kjøleskapet eller fryseren. Da øker den interne temperaturen, noe som gjør at kompressoren må jobbe hardere og forbruker mer energi.
- Dekk til maten eller pakk den inn, særlig hvis den har sterk lukt.
- Plasser maten slik at luften kan sirkulere fritt rundt den.

#### Tips til kjøling

- Kjøtt (alle typer): pakkes i plastposer. Mat: pakkes inn og plasseres på glasshyllen over grønnsaksskuffen. Følg alltid matens lagringstider og holdbarhetsdatoene som er satt av produsenter.

- Tilberedt mat, kalde retter osv.: Tildekkes og plasseres på en hvilken som helst hylle.
- Frukt og grønnsaker: Bør lagres i den medfølgende spesialskuffen.
- Smør og ost: Bør pakkes i lufttett folie eller plast.
- Melk: Bør ha kork og plasseres i dørhyllene.

### 8.2 Tips til frysing

- Når produktet slås på for første gang eller etter en periode uten bruk, må du la det stå på i minst to timer på en høy innstilling før du legger inn matvarer.
- Pakk matvarene i små porsjoner slik at de fryses raskt og helt til kjernen. Slik blir det enklere når du senere kan tine kun den mengden du vil bruke.
- Pakk maten inn i aluminiumsfolie eller lufttette plastposer.
- Ikke la ferske, ufrosne matvarer komme i kontakt med matvarer som allerede er frosne, for å hindre at temperaturen stiger i disse.
- Frosne produkter som spises like etter at de er tatt ut av fryseren, kan forårsake frostskafer på huden.
- Vi anbefaler at du merker hver frosne pakke med dato for å holde orden på lagringstiden.





### Tips til oppbevaring av frosne matvarer

- Kontroller at frossen mat er lagret riktig av matforhandleren.
- Når maten er tint, forringes kvaliteten raskt, og den bør ikke fryses på nytt. Ikke overskrid oppbevaringstidene som matvareprodusenten har merket emballasjen med.

## 8.3 Slå av produktet

Hvis produktet må være avslått i en lengre periode, må følgende tiltak gjennomføres for å hindre mugg på produktet:

1. fjern alle matvarer
2. trekk støpselet ut av stikkkontakten.
3. rengjør og tørk innsiden grundig.
4. sørg for at alle dører står kilt fast med en liten åpning slik at luften kan sirkulere.

# 9. RENGJØRING OG VEDLIKEHOLD

Av hygieniske årsaker bør produktet (inkludert utvendig og innvendig tilbehør) rengjøres regelmessig eller minst hver 2. måned.



### FORSIKTIG!

Produktet må ikke være koblet til strømforsyningen under rengjøring. Fare for strømstøt! Slå av produktet og ta støpselet ut av stikkkontakten før rengjøring.

## 9.2 Innvendig rengjøring

- Du bør rengjøre innsiden av produktet regelmessig. Det er enklere å rengjøre når matmengden er liten. Tørk av innsiden av kjøleskapet og fryseren med en svak natronoppløsning, og skyll deretter med varmt vann ved hjelp av en oppvridd svamp eller klut. Tørk av fullstendig før du setter hyller og kurver tilbake. Tørk alle overflater og avtakbare deler.
- Selv om dette apparatet tines automatisk, kan et lag av frost forekomme på fryserens innvendige vegger hvis døren åpnes ofte eller holdes åpen for lenge. Hvis frostlaget er for tykt, velger du et tidspunkt når matmengden er liten og fortsetter som følger:

1. Fjern gjenværende mat og tilbehør, trekk ut strømledningen fra stikkkontakten, og la dørene stå åpne. Ventiler rommet grundig slik at tiningen går raskere.
2. Når avtiningen er fullført, rengjør du fryseren som beskrevet ovenfor.



### FORSIKTIG!

- Ikke bruk skarpe gjenstander. De kan lage riper i overflaten.
- Ikke bruk tynner, bilvaskemiddel, Clorox, eterisk olje, slipende rengjøringsmidler eller organiske løsemidler som benzen under rengjøringen. De kan skade produktets overflate og kan forårsake brann.



### FORSIKTIG!

Ikke bruk skarpe redskaper til å fjerne frost fra fryseren. Vent til interiøret er helt tørt før du slår på apparatet igjen og setter strømledningen tilbake i stikkkontakten.

### 9.3 Rengjøring av dørpakninger

Sørg for å holde dørpakninger rene. Klebrig mat og drikke kan føre til at pakningene setter seg fast til skapet og ødelegges når du åpner døren. Vask pakningene med et mild vaskemiddel og varmt vann. Skyll og tørk grundig etter rengjøring.



#### FORSIKTIG!

Vent til dørpakningene er helt tørre før du slår på apparatet.



#### ADVARSEL!

LED-lyset må ikke skiftes ut av brukeren! Hvis LED-lyset er skadet, må du kontakte kundeservice for å få hjelp.

## 10. FEILSØKING

Hvis du opplever et problem med produktet eller er bekymret for at produktet ikke fungerer riktig, kan du utføre noen enkle kontroller før du ringer etter service. Se nedenfor. Du kan utføre noen enkle kontroller ved å følge punktene i denne delen før du ringer etter service.



#### ADVARSEL!

Ikke forsøk å reparere produktet selv. Hvis problemet vedvarer etter at du har utført de kontrollene som er nevnt nedenfor, kan du kontakte en kvalifisert elektriker, autorisert servicetekniker eller butikken der du kjøpte produktet.

Problem	Mulig årsak og løsning
Produktet virker ikke som det skal	Sjekk om strømledningen er koblet til strømuttaket på riktig måte.
	Sjekk sikringen eller kretsen til strømforsyningen, skift hvis nødvendig.
	Det er normalt at fryseren ikke er i drift mens den automatiske tinesyklusen pågår eller i en kort periode etter at produktet er slått på for å beskytte kompressoren.
Lukt fra beholderne	Innsiden av kjøleskapet må muligens rengjøres.
	Mat, beholdere eller innpakning kan forårsake lukt.
Støy fra produktet	Lydene nedenfor er ganske normale: Støy fra kompressor i drift. <ul style="list-style-type: none"> <li>Støy fra luft i bevegelse som kommer fra den lille viftemotoren i fryseren eller andre beholdere.</li> <li>Gurglelyd som ligner på kokende vann.</li> <li>Smellelyd under automatisk avtining.</li> <li>Klikkelyd før kompressoren startes.</li> </ul>
	Andre uvanlige lyder kommer av årsakene nedenfor, og krever muligens at du kontrollerer og utfører tiltak: Skapet er ikke i vater. Baksiden av produktet berører veggen. Flasker eller beholdere har falt ned eller ruller løst.

Motoren går hele tiden	<p>Det er normalt å høre lyden av motoren ofte. Den trenger å kjøre over lengre perioder i følgende tilfeller:</p> <ul style="list-style-type: none"> <li>• Temperaturen er stilt inn kaldere enn nødvendig.</li> <li>• Store mengder med varm mat er plassert i produktet nylig.</li> <li>• Temperaturen på utsiden av produktet er for høy.</li> <li>• Dørene holdes åpne over en lang periode.</li> <li>• Etter at du har montert produktet eller det har vært avslått i lang tid.</li> </ul>
Et lag av frost oppstår i produktet	Kontroller at utløpene ikke er blokkert av mat, og sørg for at maten er plassert i apparatet på en slik måte at produktet får tilstrekkelig ventilasjon. Sørg for at døren er helt lukket. Se delen Rengjøring og vedlikehold for å fjerne frost.
Temperaturen på innsiden er for varm	Du kan ha latt dørene stå åpne for lenge eller for ofte, eller dørene holdes åpne av en eller annen hindring. En annen årsak kan være at produktet er plassert slik at det har for liten klaring på sidene, bak og på toppen.
Temperaturen på innsiden er for kald	Øk temperaturen ved å følge kapittelet Skjermkontroller.
Det er vanskelig å lukke dørene	Kontroller om toppen av kjøleskapet er tippet bakover 10–15 mm slik at dørene lukkes automatisk, eller om noe på innsiden hindrer at dørene lukkes.
Vannsøl på gulvet	Vannpannen (plassert nederst på baksiden av skapet) er muligens ikke riktig vatret, tømmetuten (plassert under toppen av kompressordepotet) er muligens ikke riktig plassert for å rettlede vann inn i pannen, eller vanntuten er blokkert. Du må muligens dra kjøleskapet ut fra veggen for å kontrollere pannen og tuten.
Lyset virker ikke	LED-lyset kan være skadet. Se Skifte ut LED-lys i kapittelet Rengjøring og vedlikehold. Kontrollsystemet har deaktivert lysene fordi døren har stått åpen for lenge. Lukk og åpne døren for å aktivere lysene igjen.
Dørene lar seg ikke åpne jevnt	Kontroller dørpakningen, og hvis det er nødvendig, rengjør du gummipakningen rundt kantene på døren ved hjelp av oppvaskåpe og varmt vann. Smuss og skitt kan samle seg her og føre til at døren setter seg fast i kjøleskapet.

## 11. AVHENDING AV PRODUKTET

Kjøleskapet er bygget av materialer som kan gjenbrukes. Det må avhendes i samsvar med gjeldende lokale forskrifter for avfallshåndtering. Produktet inneholder en liten mengde kjølemiddel (R600a) i kjølemiddelkretsen. For din egen sikkerhet må du lese delen Kjølemiddelet og risiko for brann i denne brukerhåndboken før du avhender

produktet. Kutt over strømlledning for å gjøre kjøleskapet ubrukelig, og fjern dørpakningen og -låsen. Vær forsiktig med kjølesystemet så det ikke skades, for eksempel ved at det oppstår hull på kjølemiddelbeholderen og/eller slangen bøyes og/eller det oppstår riper på overflatebelegget.

### Riktig avhending av dette produktet



Dette symbolet på produktet eller emballasjen angir at produktet ikke må behandles som husholdningsavfall. I stedet skal det leveres til et autorisert avfallspunkt for gjenvinning av elektrisk og elektronisk utstyr. Hvis du sørger for å avhende dette produktet på riktig måte, er du med på å forhindre eventuelle negative følger for miljøet og personers helse, som ellers kan forårsakes dersom dette produktet ikke avhendes riktig. For mer informasjon om gjenvinning av dette produktet kan du ta kontakt med kommunen din, renovasjonstjenesten i nærheten eller butikken der du kjøpte produktet.

## 12. TEKNISKE DATA

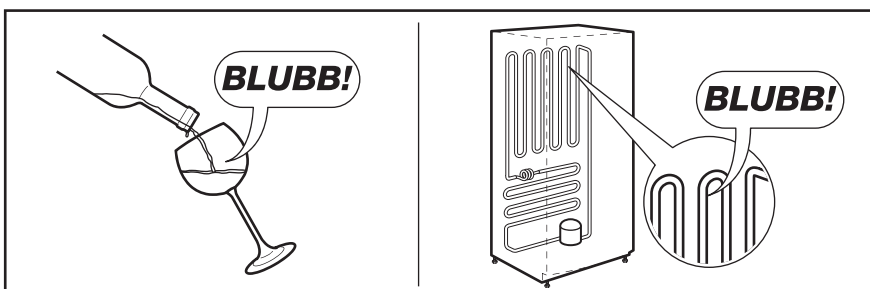
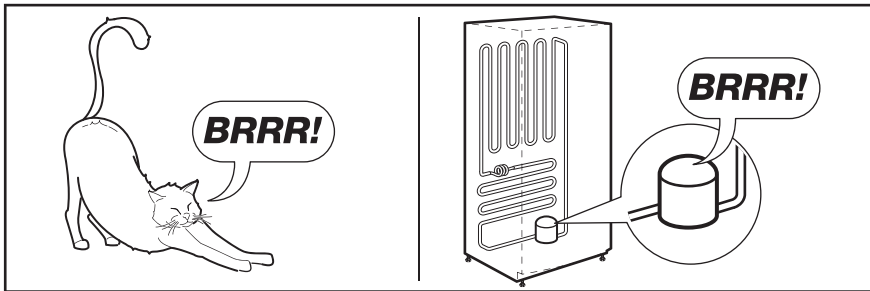
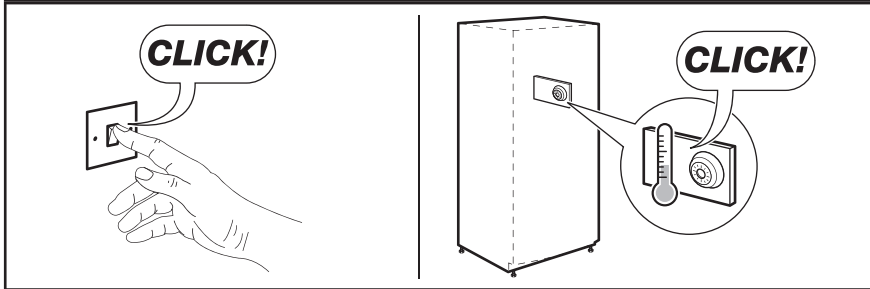
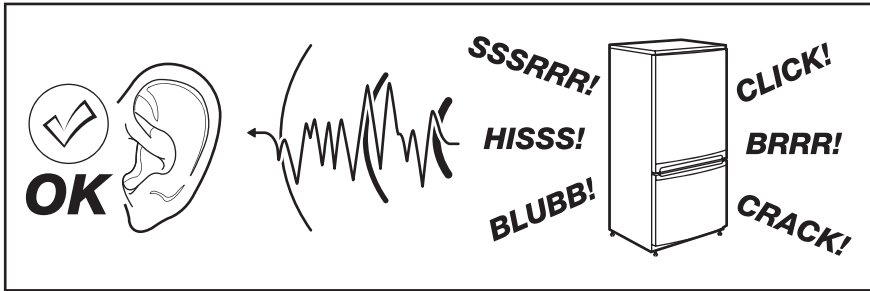
Dimensjoner	
Justerbar	1766 mm
Bredde	912 mm
Dybde	765 mm
Lagringstid ved strøbrudd.	12 t
Elektrisk spenning	220–240 V
Frekvens	50 Hz

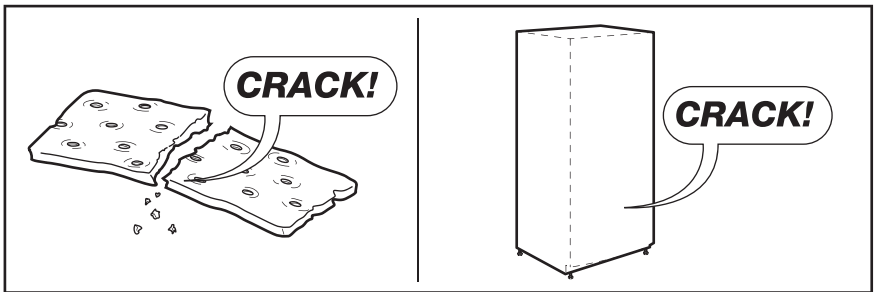
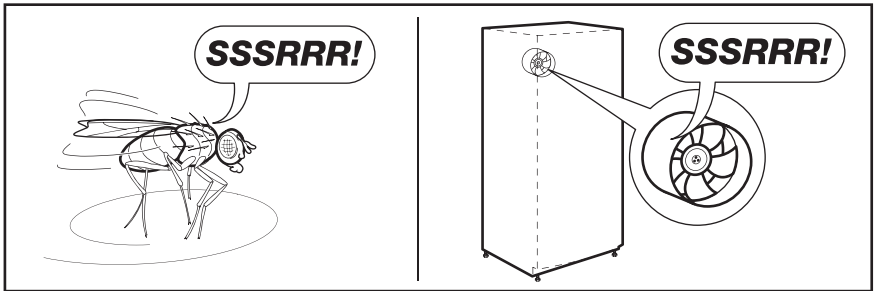
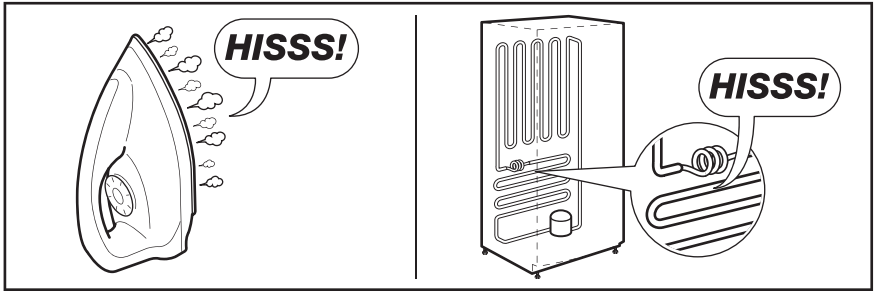
De tekniske dataene finner du på typeskiltet til venstre på produktets innside og på energietiketten.



# 13. STØY

Fryseren lager lyder under normal bruk  
(kompressor, sirkulering av kjølevæske).







# İÇİNDEKİLER

1. GÜVENLİK BİLGİLERİ.....	337
2. GÜVENLİK TALİMATLARI.....	338
3. ÇEVREYLE İLGİLİ BİLGİLER .....	339
4. CİHAZIN TANIMI .....	340
5. YENİ CİHAZINIZIN KURULUMU .....	342
6. EKRAN KONTROLLERİ.....	344
7. CİHAZINIZIN KULLANIMI .....	346
8. YARARLI İPUÇLARI VE BİLGİLER.....	350
9. TEMİZLİK VE BAKIM .....	351
10. SORUN GİDERME.....	352
11. CİHAZIN ATILMASI .....	354
12. TEKNİK VERİLER.....	355
13. SESLER .....	356

## MÜKEMMEL SONUÇLAR İÇİN

Bu Electrolux ürününü seçtiğiniz için teşekkür ederiz. Bu ürünü, sıradan cihazlarda bulamayacağınız hayati kolaylaştırıcı özellikler ve yenilikçi teknolojiler kullanarak size uzun yıllar üstün performans sunacak şekilde tasarladık. Lütfen, cihazınızdan en iyi şekilde yararlanabilmek için birkaç dakikanızı ayırarak bu belgeyi okuyun.

### Web sitemizi ziyaret ederek:



Kullanım önerileri, broşürler, sorun giderme bilgileri, servis bilgileri alın:  
[www.electrolux.com.tr](http://www.electrolux.com.tr)



Ürününüzü daha iyi servis için kaydedin:  
[www.electrolux.com/productregistration](http://www.electrolux.com/productregistration)



Cihazınız için Aksesuarlar, Sarf Malzemeleri ve Orijinal yedek parçalar satın alın:  
[www.electrolux.com/shop](http://www.electrolux.com/shop)

## MÜŞTERİ HİZMETLERİ VE SERVİS

Her zaman orijinal yedek parçalar kullanın.

Yetkili Servis Merkeziniz ile iletişim sırasında

şu verilerin hazır bulunduğunu kontrol edin: Model, PNC, Seri Numarası.

Bilgiler, bilgi etiketinde yazılıdır.



Uyarı / Dikkat-Güvenlik bilgileri.



Genel bilgiler ve tavsiyeler



Çevre ile ilgili bilgiler.

Önceden haber verilmeksizin değişiklik yapma hakkı saklıdır.





# 1. ⚠️ GÜVENLİK BİLGİLERİ

Cihazın montaj ve kullanımından önce, verilen talimatları dikkatlice okuyun. Üretici, yanlış bir montajın ve kullanımın yaralanma ve hasara neden olması durumunda sorumluluk kabul etmez. Talimatları daha sonra kullanmak için daima cihazın yakınında bulundurun.

## 1.1 Çocukların ve tehlikeye açık kişilerin güvenliği

- Bu cihaz, güvenli şekilde kullanımı ve oluşabilecek tehlikeler hakkında talimat, gözetim ve bilgi verilmesi halinde 8 yaş ve üzeri çocuklar ve fiziksel, duyuşsal veya zihinsel kapasitesi düşük ya da bilgi ve deneyimi olmayan kişiler tarafından kullanılabilir.
- Çocukların cihazla oynamasına izin vermeyin.
- Gözetim altında bulunmadıkları sürece temizlik ve kullanıcı bakımı çocuklar tarafından yapılamaz.
- Tüm ambalaj malzemelerini çocuklardan uzak tutun.

## 1.2 Genel Güvenlik

- Bu cihaz aşağıdaki gibi, ev ve benzeri alanlarda kullanılmak üzere tasarlanmıştır:
  - Çiftlik evleri; mağaza, ofis ve diğer çalışma ortamlarındaki mutfak bölümleri
  - Otel, motel, pansiyon ve diğer konaklama tarzı yerlerdeki müşteriler tarafından
- Cihazın çevresindeki veya ankastre yapıdaki havalandırma menfezlerinin tıkanmasını önleyin.
- Eritme sürecini hızlandırmak için üretici tarafından önerilenin dışında mekanik bir alet veya başka suni bir yöntem kullanmayınız.
- Soğutucu devresine zarar vermeyin.
- Üretici tarafından önerilen tipte olmadıkları sürece, cihazın yiyecek saklama bölmelerinde elektrikli cihazlar kullanmayınız.
- Cihazı temizlemek için su spreyi ve buhar kullanmayın.
- Cihazı yumuşak nemli bir bezle temizleyin. Sadece nötr deterjanlar kullanın. Aşındırıcı ürünleri, aşındırıcı temizleme bezlerini, çözücülerini veya metal cisimleri kullanmayın.
- Yanıcı itici gazlı aerosol teneke kutular gibi patlayıcı maddeleri bu cihazda saklamayın.

- Elektrik kablosunun zarar görmesi durumunda, bir kazanın meydana gelmesine engel olmak için ilgili deęişim üretici, servis merkezi veya benzer nitelikteki kalifiye bir kiři tarafından deęiştirilmelidir.
- Cihazda Buzmatik veya su sebili bulunuyorsa bunları yalnızca içilebilir suyla doldurun.
- Cihaz için su bağlantısı gerekiyorsa cihazı yalnızca içilebilir su kaynağına bağlayın.
- Giriş suyu basıncı (minimum ve maksimum) 1 bar (0,1 MPa) ve 10 bar (1 MPa) arasında olmalıdır

## 2. GÜVENLİK TALİMATLARI

### 2.1 Montaj



#### UYARI!

Cihazın montajı sadece kalifiye bir kiři tarafından yapılmalıdır.

- Tüm ambalajları çıkarın.
- Hasarlı bir cihazı monte etmeyin ya da kullanmayın.
- Cihazla birlikte verilen montaj talimatlarına uyun.
- Ağır olduğundan, cihazı taşıırken daima dikkat edin. Her zaman güvenlik eldivenleri kullanın.
- Cihaz çevresinde hava sirkülasyonu olduğundan emin olun.
- Cihazı elektrik beslemesine bağlamadan önce en az 4 saat bekleyin. Bu işlem, yağın kompresöre geri akmasını sağlar.
- Cihazı, radyatörler, fırınlar, ankastre fırın ya da ocakların yakınına monte etmeyin.
- Cihazın arkası duvara dönük olmalıdır.
- Doğrudan güneş ışığı alan yerlere cihazı monte etmeyin.
- Bu cihazı yapı ekleri, garajlar veya şarap mahzenleri gibi çok nemli veya çok soğuk alanlara monte etmeyin.
- Cihazı hareket ettirirken ön kenarından kaldırarak zeminin çizilmesini önleyin.

### 2.2 Elektrik bağlantısı



#### UYARI!

Yangın ve elektrik çarpması riski vardır.

- Cihaz topraklanmalıdır.
- Bilgi etiketindeki elektriksel verilerin elektrik beslemesine uygun olduğundan emin olun. Aksi durumda, bir elektrik teknisyenini arayın.
- Her zaman doğru monte edilmiş, şok korumasına sahip bir priz kullanın.
- Priz çoğaltıcıları ve uzatma kabloları kullanmayın.
- Elektrik aksamlarına (örn. fiş, elektrik kablosu, kompresör) zarar vermemeye özen gösterin. Elektrik aksamını deęiştirmek için yetkili servise ya da bir elektrikçiye başvurun.
- Elektrik kablosu fiş seviyesinin altında kalmalıdır. Fişi prize sadece montaj tamamlandıktan sonra takın. Montajdan sonra elektrik fişine erişilebildiğinden emin olun. Cihazın fişini prizden çıkarmak için elektrik kablosunu çekmeyiniz. Her zaman fişten tutarak çekin.

## 2.3 Kullanım



### UYARI!

Yaralanma, yanık, elektrik çarpması ya da yangın riski vardır.

- Bu cihazın teknik özelliklerini değiştirmeyin.
- Üretici tarafından önerilmediği sürece elektrikli cihazları (örn. dondurma makineleri) cihaz içine koymayın.
- Soğutucu devreye zarar vermemeye dikkat edin. Yüksek düzeyde çevresel uyumluluğa sahip bir doğal gaz olan izobütan (R600a) içerir. Bu gaz yanıcıdır.
- Soğutucu devrede hasar olursa odada alevlerin ve ateşleme kaynaklarının olmadığından emin olun. Odayı iyice havalandırın.
- Sıcak maddelerin cihazın plastik parçalarına temas etmesine izin vermeyin.
- Meşrubatları dondurucu bölmesine koymayın. Bu durum içecek kutusunda basınç oluşturacaktır.
- Yanıcı gaz ve sıvıyı cihazda saklamayın.
- Cihazın içine, üzerine veya yakınına yanıcı ürünler ya da yanıcı ürünlerle ıslanmış eşyalar koymayın.
- Kompresöre ya da yoğuşturucuya dokunmayın. Bunlar sıcaktır.
- Elleriniz ıslak ya da nemli ise dondurucu bölmesinden yiyecekleri çıkarmayın ya da bunlara dokunmayın.
- Çözülmüş olan yiyeceği yeniden dondurmayın.
- Dondurulmuş yiyeceğin paketi üstündeki saklama talimatlarına uyun.

## 2.4 İç aydınlatma

- Bu cihazda kullanılan ampul türü, normal aydınlatma için uygun değildir.

## 2.5 Bakım ve temizlik



### UYARI!

Yaralanma ve cihazın zarar görme riski söz konusudur.

- Bakım işleminden önce, cihazı devre dışı bırakın ve elektrik fişini prizden çekin.
- Bu cihaz, soğutma ünitesinde hidrokarbonlar içerir. Ünitenin bakım ve şarj işlemleri sadece kalifiye bir personel tarafından yapılmalıdır.
- Cihazın tahliyesini düzenli olarak kontrol edin ve gerekirse temizleyin. Tahliye kısmı tıkalıysa bunu çözülmüş su cihazın alt kısmında toplanır.

## 2.6 Cihazın İmhası





### UYARI!

Yaralanma ya da boğulma riski.

- Cihazın fişini prizden çekin.
- Elektrik kablosunu kesin ve atın.
- Çocukların ve hayvanların cihazda kapalı kalmasını önlemek için kapıyı sökün.
- Bu cihazın soğutucu devresi ve yalıtım maddeleri ozon dostudur.
- Yalıtım köpüğü yanıcı gaz içerir. Cihazı nasıl doğru şekilde elden çıkaracağınıza ilişkin bilgi için belediyenize başvurun.
- Isı eşanjörünün yanındaki soğutma ünitesi kısmına zarar vermemeğe dikkat edin.

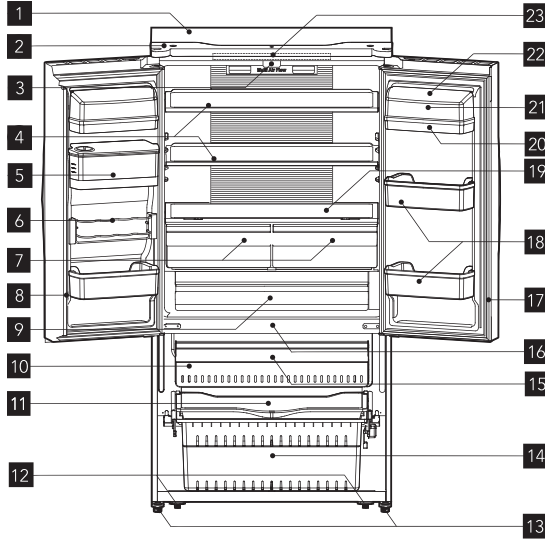
## 3. ÇEVREYLE İLGİLİ BİLGİLER

 simgesine sahip malzemeleri geri dönüştürün. Ambalajı geri dönüşüm için uygun şekilde pakitleyin. Elektrikli ve elektronik cihaz atıklarının geri dönüşümüne ve çevre ve insan sağlığının

korunmasına yardımcı olun.  simgesi bulunan cihazları ev atığıyla atmayın. Ürünü yerel geri dönüşüm tesislerinize gönderin ya da belediye ile irtibata geçin.

## 4. CİHAZIN TANIMI

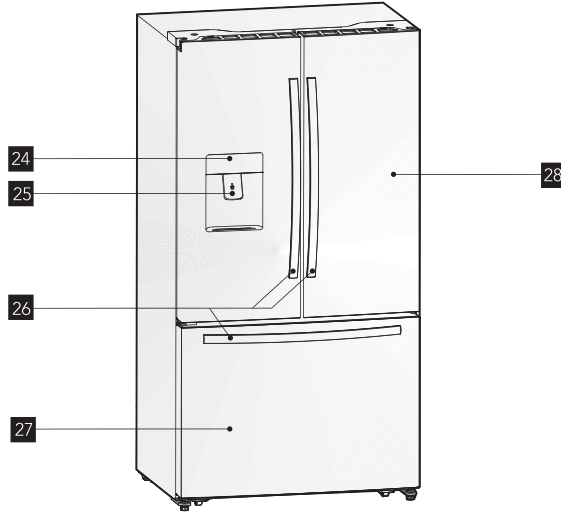
### 4.1 Cihaz görünümü 1



- |                                    |                                     |
|------------------------------------|-------------------------------------|
| <b>1</b> Kabin                     | <b>13</b> Ayarlanabilir alt ayaklar |
| <b>2</b> Üst kapak                 | <b>14</b> Alt dondurucu çekmecesini |
| <b>3</b> Dikey perde kılavuz bloğu | <b>15</b> Üst dondurucu çekmecesini |
| <b>4</b> Cam raf                   | <b>16</b> Dondurucu LED ışığı (iç)  |
| <b>5</b> Su saklama kutusu         | <b>17</b> Buzdolabı kapı contası    |
| <b>6</b> Esnek teneke kutu rafı    | <b>18</b> Alt raf                   |
| <b>7</b> Meyve ve sebzelik         | <b>19</b> Sebzelik kapağı           |
| <b>8</b> Dikey perde bölümü        | <b>20</b> Üst raf                   |
| <b>9</b> Taze seçimim              | <b>21</b> Yumurta kabı (iç)         |
| <b>10</b> Buzmatik tepsisi (iç)    | <b>22</b> Raf kapağı                |
| <b>11</b> Servis tepsisi           | <b>23</b> Buzdolabı LED ışığı (iç)  |
| <b>12</b> Tekerlekler              |                                     |



## 4.2 Cihaz görünümü 2



**24** Gösterge paneli

**25** Soğuk su sebili

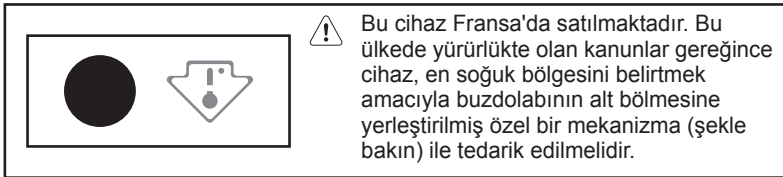
**26** Kulplar

**27** Dondurucu kapısı

**28** Buzdolabı kapısı

**Not:** Ürünlerimizde sürekli geliştirme yapıldığı için buzdolabınız, yukarıdaki resimde gösterilenden biraz farklı olabilir; ancak buzdolabınızın fonksiyonları ve kullanma yöntemleri aynıdır.

**Not:** Bu üründen en iyi enerji verimliliğini sağlamak için lütfen tüm rafları, çekmeceleri ve sepetleri yukarıdaki resimde gösterilen orijinal yerlerine yerleştirin.



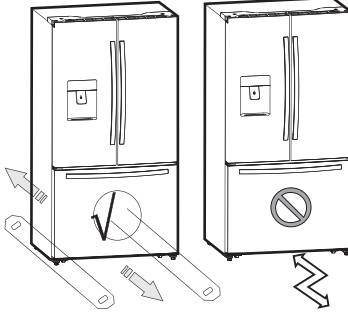
## 5. YENİ CİHAZINIZIN KURULUMU

Bu bölümde, yeni cihaz ilk kez kullanılmadan önce yapılması gereken kurulum işlemleri açıklanmaktadır. Aşağıdakileri okumanızı öneririz



### UYARI!

Doğru kurulum için bu buzdolabı, zemin kaplamasının geri kalan kısmıyla aynı yükseklikte olan, sert malzemeden yapılmış düz bir yüzeye yerleştirilmelidir. Bu yüzey, tam yüklü bir buzdolabını veya yaklaşık 120 kg (266 lb) ağırlığı destekleyecek kadar güçlü olmalıdır. Cihazı taşıırken düz bir şekilde dışarıya ve geriye çekmeye dikkat edin. İpuçları.



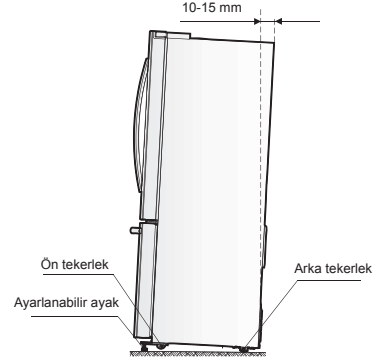
Sınıf	Simge	Ortam Sıcaklığı aralığı (°C)
Geniş İliman	SN	+10 ila +32
İliman	N	+16 ila +32
Alt Tropikal	ST	+16 ila +38
Tropikal	T	+16 ila +43

### 5.1 Cihaz dengesinin ayarlanması

Doğru dengeleme sağlamak ve titreşimleri önlemek için cihazın ön tarafında ayarlanabilir ayaklar bulunmaktadır. Lütfen aşağıdaki talimatları uygulayarak dengeyi ayarlayın:

1. Buzdolabını yerine taşıyın.
2. Ayarlanabilir ayakları (parmaklarınızla ya da uygun bir somun anahtarıyla) yere değene kadar döndürün.

3. Üst tarafını arkaya doğru 10-15 mm yatırın ve ayakları 1~2 tur döndürün. Bu şekilde kapıların kendiliğinden kapanarak düzgün şekilde kapalı kalması sağlanır.
4. Cihazı taşımak istediğinizde cihazı serbestçe hareket ettirebilmek için ayağı tekrar yukarıya kaldırmayı unutmayın. Cihazı taşıdıktan sonra yeniden monte edin.

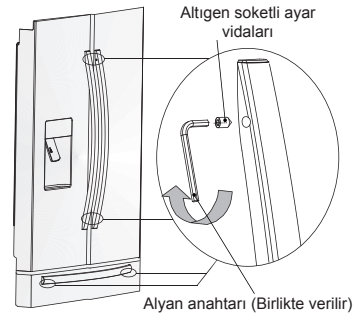


### UYARI!

Tekerlekler, nakil tekerleği değildir; bu nedenle yalnızca ileri veya geri hareket ettirmek için kullanılmalıdır. Buzdolabınızı yanlara doğru hareket ettirmeniz zemine ve tekerleklerle zarar verebilir.

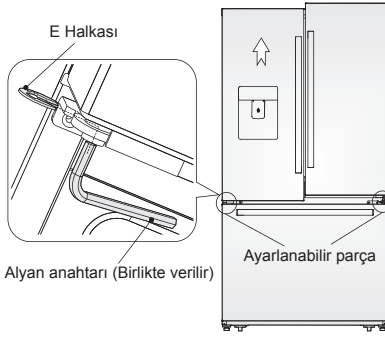
### 5.2 Kapı kulbunun ayarlanması

Cihazı kullanmadan önce lütfen buzdolabı kulplarını kontrol edin. Kulplar gevşekse kulplar sıkıca yerine oturana kadar yıldız başlı tornavidayı saat yönünde çevirerek kulpları sabitleyin. Kulpların her biri 2 vida ile sabitlenmiştir.



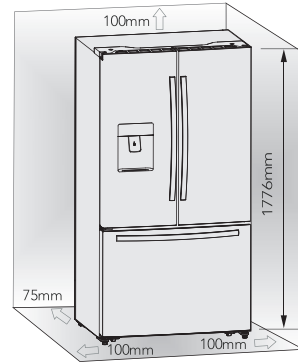
### 5.3 Kapıların ayarlanması

- Sağ ve sol kapılarda, alt menteşelerde yer alan ayarlanabilir eksenler bulunur.
- Kapıları ayarlamadan önce, lütfen buzdolabının dengeli olduğundan emin olun. Lütfen "Cihazın dengelenmesi" konulu bir önceki bölüme bakın. Kapıların üst kısmının eşit olmadığını fark ederseniz alyan anahtarını menteşe eksenine geçirip kapıyı yükseltmek için saat yönünde veya kapıyı alçaltmak için saat yönünün aksine döndürün ve boşluğa bir E Halkası takın.

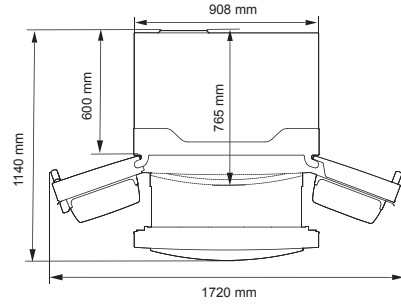


### 5.4 Cihazın havalandırılması

Soğutma sisteminin verimliliğini artırmak ve enerji tasarrufu sağlamak için ısı dağıtımı açısından cihazın çevresi gerekli şekilde havalandırılmalıdır. Bu nedenle, buzdolabının etrafında yeterli boş alan bırakılmalı ve bu alan hava dolaşımını önleyecek tüm engellerden arındırılmalıdır.



**Öneri:** Cihazın doğru bir şekilde çalışmasını sağlamak için yukarıdaki grafikte gösterilen mesafeleri koruyun.



## 6. EKRAN KONTROLLERİ

Ünitenin tüm fonksiyonlarına ve kontrollerine, buzdolabının kapısında bulunan kullanışlı bir kontrol panelinden erişebilirsiniz. Dokunmatik düğmelere oluşan bir tuş takımı ve dijital ekran, özelliklerin ve ayarların kolay ve kullanışlı bir şekilde yapılandırılmasına olanak verir. **Önemli!** Dokunmatik düğmelerin çalıştırılması için üzerlerine yalnızca kısa bir süre basılması yeterlidir. İşlem, parmağınızı düğmeyi basılı tutarken değil, parmağınızı düğmeden kaldırdığınızda gerçekleşir. Tuş takımına baskı uygulamanıza gerek

yoktur. "Alarm" düğmesiyle ilişkili Child Lock "Çocuk Kilidi" fonksiyonunu çalıştırmak için düğmenin en az 3 saniye basılı tutulması gerekir. Ayrıntılı talimatlar için lütfen bu Kılavuz'un ilgili bölümlerine bakın. Kontrol paneli, iki sıcaklık göstergesi alanından, farklı modları gösteren beş simgeden ve altı dokunmatik düğmeden oluşur. Cihaz ilk kez çalıştırıldığında ekran panelindeki simgelerin arka ışığı yanar. Hiçbir düğmeye basılmaması ve kapıların kapalı olması halinde, arka ışık 60 saniye sonra söner.



### Sıcaklık kontrolü

Buzdolabınızı ilk kez çalıştırdığınızda buzdolabı sıcaklığını 5°C'ye ve dondurucu sıcaklığını -18°C'ye ayarlamanızı öneririz. Sıcaklığı değiştirmek istediğinizde, aşağıdaki talimatları uygulayın.

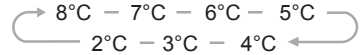


#### DİKKAT!

Bir sıcaklık ayarladığınızda, tüm buzdolabı kabini için ortalama bir sıcaklık ayarlanmış olursunuz. Her bölmenin içerisindeki sıcaklık, ne kadar yiyecek saklandığına ve nereye konulduğuna bağlı olarak panelde gösterilen sıcaklık değerlerinden farklı olabilir. Ayrıca ortam sıcaklığı da buzdolabının içerisindeki gerçek sıcaklığı etkileyebilir.

### 6.1 Soğutucu

8°C ile 2°C arasında istenen buzdolabı sıcaklığını ayarlamak için "Fridge" (Buzdolabı) düğmesine tekrar tekrar basın. Sıcaklık, her bastığınızda 1°C derece düşer ve buzdolabı sıcaklık göstergesi aşağıdaki sıraya göre ilgili değeri görüntüler.



### 6.2 Fast Cool (Hızlı Soğutma)



Örneğin, bir market alışverişinden sonra çok miktarda ılık yiyeceği buzdolabına koymanız

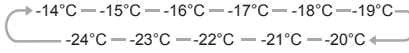
gerekirse yiyecekleri daha hızlı soğutmak ve buzdolabında bulunan diğer yiyeceklerin ısınmasını önlemek için Fast Cool (Hızlı Soğutma) fonksiyonunu etkinleştirmenizi öneririz.

- Bu fonksiyonu etkinleştirmek için "Fast Cool" (Hızlı Soğutma) düğmesine basın. Süper Soğutma simgesi yanar ve Buzdolabı sıcaklık göstergesi 2°C'yi gösterir.
- Süper soğutma fonksiyonu 6 saat sonra otomatik olarak kapanır.
- Süper soğutma modunu iptal etmek ve önceki sıcaklık ayarlarına geri dönmek için "Fast Cool" (Hızlı Soğutma) veya "Fridge" (Buzdolabı) düğmesine basın.



### 6.3 Dondurmak, donmak

Sıcaklığı -14°C ile -24°C arasında istediğiniz sıcaklığa ayarlamak için "Freezer" (Dondurucu) düğmesine basın. Dondurucu sıcaklık göstergesi aşağıdaki sıraya göre ilgili değeri görüntüler.



### 6.4 Fast Freeze (Hızlı Dondurma)



Süper Dondurma sayesinde donma sıcaklığını hızlı bir şekilde düşürebilir ve yiyeceklerinizi normalden çok daha hızlı bir şekilde dondurabilirsiniz.

Hızlı dondurma fonksiyonunu etkinleştirmek için "Fast Freeze" (Hızlı Dondurma) düğmesine basın. Süper Dondurma simgesi yanar ve dondurucu sıcaklık ayarı -24°C olarak gösterilir.

- İlk kullanımda veya cihaz bir süre kullanılmadıktan sonra, Süper Dondurma modunu kullanmadan önce cihazın 6 saat normal çalışmasını bekleyin. Bu, dondurucuya büyük miktarda yiyeceğin yerleştirildiği durumlarda çok önemlidir.
- Süper dondurma 26 saat kullanıldıktan sonra otomatik olarak kapanır ve dondurucu sıcaklığı -20°C'nin altına düşer.
- Süper Dondurma modunu iptal edip önceki sıcaklık ayarlarına geri dönmek için "Fast Freeze" (Hızlı Dondurma) veya "Freezer" (Dondurucu) düğmesine basın.

**Not:** Süper Dondurma fonksiyonunu seçerken dondurucu bölümünde şişe veya teneke kutuda bulunan içeceklerin (özellikle karbonatlı içecekler) bulunmadığından emin olun. Şişeler ve teneke kutular patlayabilir.

### 6.5 Holiday



Bu fonksiyon, Buzdolabının uzun süre kullanılmayacağı durumlarda enerji tüketimini azaltmak için tasarlanmıştır. "Holiday" düğmesine Tatil

simgesi yanana kadar kısa bir süre basarak bu fonksiyonu etkinleştirebilirsiniz.

**Önemli!** Bu süre içerisinde buzdolabı bölmesinde hiçbir yiyecek saklamayın.

- Tatil fonksiyonu etkinleştirildiğinde buzdolabının sıcaklığı enerji tüketimini azaltmak için otomatik olarak 15°C'ye geçer. Buzdolabı sıcaklık ayarında "-" görüntülenir ve dondurucu bölmesi açık kalmaya devam eder.
- Tatil modunu iptal edip önceki sıcaklık ayarlarına geri dönmek için "Holiday" (Tatil) düğmesine basın.

### 6.6 Alarm



Alarm durumunda "Alarm" simgesi yanar ve sesli bir uyarı duyulur.

Alarmı ve sesli uyarıyı durdurmak için "Alarm" düğmesine basın; böylece "Alarm" simgesi söner.



#### DİKKAT!

Buzdolabı bir süre kullanılmadıktan sonra açıldığında Alarm devreye girebilir. Bu durumda, alarmı iptal etmek için "Alarm" düğmesine basın.

### Kapak Alarmı

Alarm ışığının yanması ve sesli uyarı, kapılardan birinin yanlışlıkla açık bırakılması ya da üniteye bir güç kesintisinin oluşması gibi anormal durumları belirtir.

- Buzdolabının veya dondurucunun kapısının 2 dakikadan uzun süre açık bırakılması, kapı alarmının ve sesli uyarının etkinleşmesine neden olur. Sesli uyarı 10 dakika boyunca, dakikada 3 defa çalar. Kapının kapatılması kapı alarmını ve sesli uyarıyı iptal eder.
- Enerji tasarrufu için buzdolabını kullanırken kapakları uzun süre açık tutmaktan lütfen kaçının. Kapı alarmı, kapıların kapatılmasıyla da iptal edilebilir.

## Sıcaklık alarmı

Bu, kullanıcıları saklanan yiyeceklerde oluşmuş olabilecek bozulmalara ilişkin olarak kullanıcıları uyarıcı önemli bir özelliktir. Örneğin, siz evde yokken yaşadığınız bölgede elektrik kesintisi gibi bir güç kesintisi yaşanırsa sıcaklık alarmı üniteye tekrar güç beslemesi sağlandığında dondurucunun sıcaklığını hafızasında tutar. Bu, büyük olasılıkla dondurulmuş ürünlerin ulaştığı maksimum sıcaklık olacaktır. Sıcaklık alarmı durumu, sıcaklık değerinin -9°C'den yüksek olduğu durumlarda Alarm ışığı ve sesli uyarıyla gösterilir; bu durumda:

- a- Alarm simgesi yanar;
- b- Dondurucu sıcaklık göstergesinde "H" harfi görünür;
- c- Sesli uyarı, alarm tetiklendiğinde 10 defa çalar ve otomatik olarak durur.

## Çocuk Kilidi



Çocuk kilidini etkinleştirmek için "Alarm" düğmesini 3 saniye boyunca basılı tutun. Bu işlem, ayarların yanlışlıkla değiştirilmesini önlemek için ekranı devre dışı bırakır. Bu sırada "Child Lock" (Çocuk Kilidi) simgesi yanar.

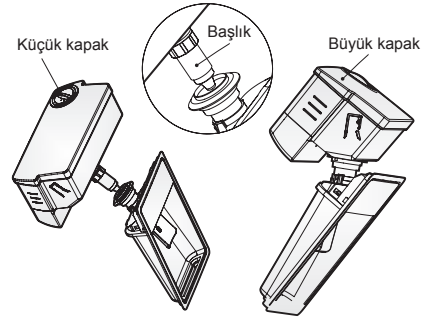
- Çocuk kilidini kapatmak için "Alarm" düğmesini 3 saniye basılı tutun. "Child Lock" (Çocuk Kilidi) simgesi söner.

## 7. CİHAZINIZIN KULLANIMI

### 7.1 Soğuk su sebili

Buzdolabının sol kapısında bulunan soğuk su sebili, içme suyu saklamak için kullanılır. Bu özellik, kapıyı açmadan kolaylıkla soğuk su almanızı sağlar.

- Temizleme  
Su sebilini ilk kez kullanmadan önce lütfen temizleyin.
  1. adım: Su sebilini çekerek çıkarın
  2. adım: Temiz suyla yıkayın
  3. adım: Kurulayın
- Monte edilmesi  
Sebili tekrar yerine monte etmek için lütfen aşağıdaki talimatlara bakın.
  1. Su kabını iki kenarından sıkıca tutun ve ardından kaldırıp kapıdan çıkarın.
  2. Başlığı saat yönünün aksine döndürerek çıkarın.
  3. Tekrar kapıya takın ve kabı bir tık sesi duyana kadar itin.



### UYARI!

Su kabını monte ederken öncelikle başlığın deliğe tam olarak oturduğundan emin olun.

### Suyun doldurulması

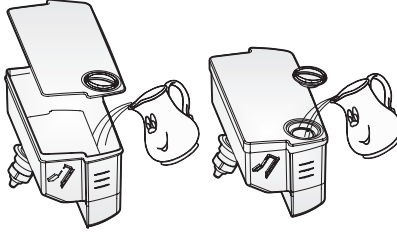
Su kabına içme suyu doldurmadan önce, su kabının sabit ve doğru bir yere yerleştirilmiş olduğundan emin olun. Suyun taşmasını ve saçılmasını önlemek için su kabını yaklaşık 4,0 litreyi gösteren maksimum seviye işaretinin altına gelecek şekilde doldurun. Su kabını doldurmanın iki yolu vardır:

1. Küçük kapağı kaldırıp büyük kapağın girişinden su doldurun.
2. Deponun büyük kapağını çıkarıp suyu doğrudan doldurun.

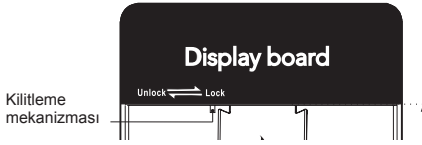


### DİKKAT!

Su kabına sudan başka bir sıvı doldurmayın.



- Kilitleme  
Su sebilinden su almaya başlamadan önce, su sebilinin "unlock" (kilit açık) konumunda olmasına dikkat edin. Kilitleme mekanizması, resimde gösterildiği gibi gösterge panelinin altında bulunur:



### UYARI!

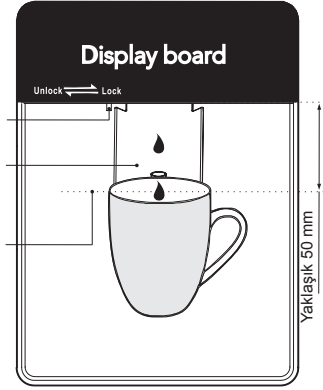
Kilit özelliği, mekanizmayı kilitlemek için kullanılır. Su sebili "lock" (kilitli) konumundayken su sebili kolunu güçlü bir şekilde itmeyin. Bu, su sebiline zarar verebilir ve sebilin arızalanmasına yol açabilir.

- Su sebilinin kullanılması  
Su sebilinin alt kısmından su doldurmak için uygun bir bardak kullanmanız gerekir.



### UYARI!

Su sebilini kolunu, altında bir bardak olmadan çekmeyin. Bu, su sebilinden su sızmasına neden olabilir. Soğuk hava kaçağını önlemek için su sebilini kullanım dışıyken su besleme mekanizmasını kurulu tutun.



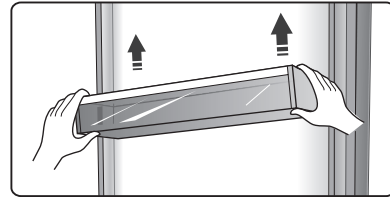
**Not:** Su sebilinin sık kullanılması, tepsiye damlaların saçılmasına ve bu damlaların taşmasına neden olabilir. Tepsiyi gerektiğinde bir havluyla kurulayın.

## 7.2 Kapak rafları

Buzdolabı bölmesi; kutulu içecekler, şişelenmiş içecekler ve ambalajlı yiyeceklerin saklanması için uygun kapı rafları içerir. Kapı raflarına çok miktarda ağır yiyecek ve ürün yerleştirmeyin.

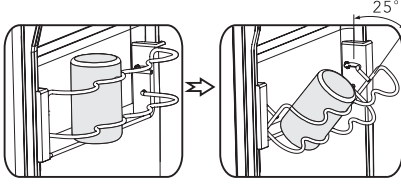
- Orta kapı rafı ihtiyacınıza göre farklı yüksekliklerde ayarlanabilecek şekilde tasarlanmıştır. Rafı çıkarmak için yukarıya kaldırmadan önce lütfen rafı boşaltın. Ardından rafı istediğiniz yükseklikte yeniden yerleştirin.

**Not:** Üst rafa yerleştirilmesi gereken bir yumurta kabı sağlanmıştır.



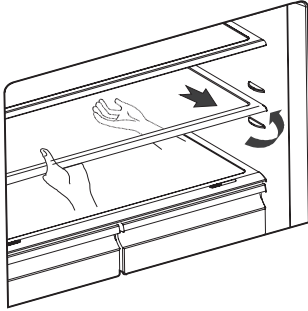
### 7.3 Teneke kutu rafı

- Bu raf, standart boyutta 4 kutu alabilir ancak çapı 50 mm'den küçük kutular için uygun değildir. Ayrıca bu raf, içeceklerin saklanması veya alınmasını kolaylaştırmak için gerekirse kendi etrafında 25° döndürülebilir.

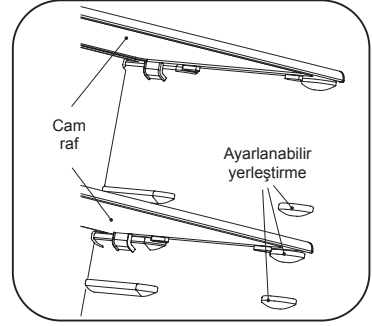


### 7.4 Cam raflar

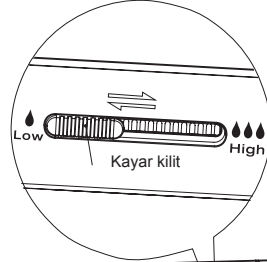
Buzdolabı bölümünde iki cam raf bulunur. Üst raf sabit olacak şekilde tasarlanmıştır ancak alt raf ayarlanabilir. Alt raf, üç şekilde yeniden yerleştirilebilir. Rafın yükseklüğünü ihtiyacınıza göre ayarlayın:



- Rafları çıkarırken raflar kılavuzlardan çıkana kadar rafları hafifçe ileriye çekin.
- Rafları yerine takarken arkada hiçbir engel olmadığından emin olun ve rafları hafifçe iterek yerine yerleştirin.



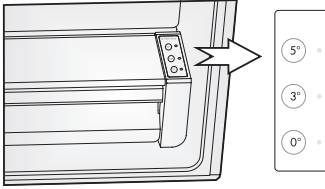
### 7.5 Sebzelik ve nem kontrolü



- Teleskopik uzatmalı raylar üzerine monte edilen sebzelik; meyve ve sebze saklamak için tasarlanmıştır. Kayar kilidi kullanarak nemi içeri hapsedebilirsiniz.
- Nem kontrolü, sebzeğin içindeki hava akışını kontrol ederek daha yüksek hava akışı daha düşük nem sağlar. Nemi artırmak için nem kontrolünü sağa kaydırın.
  - Sebzeler için yüksek nem ayarları önerilirken meyvelerin saklanması için düşük nem daha uygundur.
  - Sebzelik bölümünü veya dondurucu çekmesini temizlemek için çıkardığınızda aşağıdaki basit talimatları uygulayın. Sebzelik bölümünü boşaltın; çekerek tam açık pozisyona getirin. Sebzeği yan raylarından kaldırın. Kapıyı kapatırken hasar oluşmasını önlemek için rayları tamamen içeri itin.

## 7.6 FRESH ZONE. Hassas sıcaklık kontrolü (Opsiyonel)

Yiyecekler optimum sıcaklıkta saklandığında daha uzun süre taze şekilde saklanabilir ancak farklı yiyecek türleri için farklı saklama sıcaklıkları gereklidir. Çekmecenin sağ tarafında bir Chill çekmecesini göstergesi bulunur. Bölmenin sıcaklığı, "FRESH ZONE" düğmeleri kullanılarak sırasıyla et, sebze veya meyve ya da şarküteri ürünleri için 0°C, 3°C ve 5°C olarak ayarlanabilir. Saklama ihtiyaçlarına uygun önerilen ayarlar için lütfen aşağıdaki tabloya bakın.



Şarküteri [5°C]	Sebze [3°C]	0°C [0°C]
Peynir	Salatalık	Biftekler
Domuz Eti	Lahana	BALIK
Salam	Portakal	Soğuk etler
Zeytin	Mısır	Beyaz et

## 7.7 Buzdolabı bölmesinin kullanılması

Buzdolabı bölmesi, sebze ve meyvelerin saklanması için uygundur. Nem kaybını veya kokuların diğer yiyeceklerle sinmesini önlemek için farklı yiyeceklerin ayrı paketlenmesi önerilir.

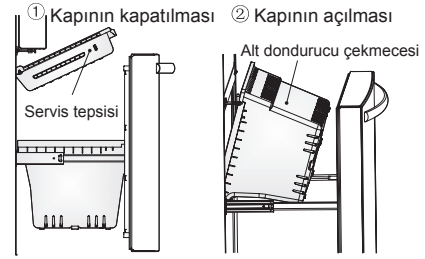


### DİKKAT!

Raflar, sebzelik ve/veya teleskopik raylar uzatılmış durumdayken kapıları kesinlikle kapatmayın. Bu, üniteye zarar verebilir.

## 7.8 Dondurucu çekmecesinin kullanılması

Dondurucu çekmecesini; et, dondurma gibi dondurulması gereken yiyecekleri saklamak için uygundur. Dondurucu çekmecesini çıkarmak için tamamen dışarı çekin, servis tepsinizi eğerek kaldırın; ardından buzdolabı kapılarını maksimum açıyla açtığınızda dondurucu çekmecesini aşağıdaki resimlerde gösterilen şekilde çıkarılabilir.

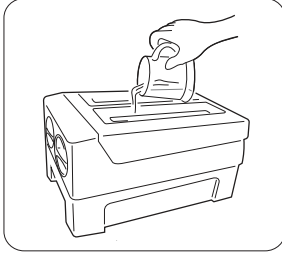


### DİKKAT!

Bebeklerin veya çocukların buzdolabının içine girmesine izin vermeyin; yaralanabilirler veya buzdolabına zarar verebilirler. Dondurucu kapısının üzerine oturmeyin. Kapı kırılabilir. Çocukların dondurucu sepetine tırmanmasına izin vermeyin. Sepet haznesini temizlemek için ayırıcıyı çıkarırsanız çocukların sepetin içine sıkışmasını önlemek için temizledikten sonra ayırıcıyı yerine takmanız gerekir.

## 7.9 Buzmatik tepsi

- Buzmatik tepsi, buz küpü yapmak ve saklamak için üst dondurucu çekmecesine yerleştirilmiştir.
  - Maksimum seviye işaretinin altına gelecek şekilde içme suyuyla doldurun.
  - Dolu buzmatik tepsinizi braketle tekrar yerleştirin.
  - Yaklaşık 3 saat bekleyin; düğmeleri saat yönünde çevirdiğinizde buzlar alttaki buz kutusuna düşecektir.



4. Buz küpleri buz kutusunda saklanabilir; almanız gerektiğinde buz kutusunu çekip buz küplerini alabilirsiniz.

**Not:** Buzmatik tepsisi ilk kez kullanılıyorsa veya uzun süre kullanılmadıysa lütfen tepsiyi kullanmadan önce temizleyin.

## 8. YARARLI İPUÇLARI VE BİLGİLER

### 8.1 Enerji tasarrufu için ipuçları

Enerji tasarrufu için aşağıdaki ipuçlarını uygulamanızı öneririz.

- Enerji tasarrufu için kapıları uzun süre açık tutmamaya ya da kapıları çok sık açmamaya çalışın.
- Cihazın ısı kaynaklarına (doğrudan güneş ışığı, elektrikli fırın veya ocak vb.) yakın olmadığından emin olun.
- Sıcaklığı gerektiğinden fazla düşürmeyin.
- Sıcak yiyecekleri veya buharlaşan sıvıları cihaza koymayın.
- Cihaz, iyi havalandırılan nemsiz bir odaya yerleştirilmelidir. Lütfen yeni cihazınızın kurulumu bölümüne bakın.
- "Cihazın tanımı" bölümünde yer alan Görünüm 1'de; çekmecelerin, sebzeliğin ve rafların doğru yerleşimi gösterilmektedir. Bu, enerji açısından en verimli yapılandırma olarak tasarlandığı için kombinasyonu değiştirmeyin.

### Taze yiyeceklerin soğutulmasıyla ilgili tavsiyeler

- Buzdolabına ya da dondurucuya doğrudan sıcak yiyecek koymayın. Bu, iç sıcaklığın yükselerek kompresörün daha fazla çalışmasına ve daha fazla enerji harcamasına neden olur.
- Yiyecekleri kapatın veya sarın (özellikle de keskin bir kokusu varsa).
- Yiyecekleri, etrafında hava rahatça dolaşacak şekilde düzgünce yerleştirin.

### Soğutma tavsiyeleri

- Eti (Her Tür) Polietilen yiyecek torbalarına koyun ve sebze çekmecesinin üstündeki cam rafa yerleştirin. Her zaman yiyecek saklama sürelerine ve üreticiler tarafından önerilen kullanım tarihlerine dikkat edin.

- Pişmiş yiyecekler, soğuk yemekler vb.: Bu tür yiyecekler, ağzı kapalı olmak suretiyle herhangi bir rafa yerleştirilebilir.
- Meyve ve sebzeler: Bu tür yiyecekler, cihaz ile birlikte temin edilen özel çekmecelerde saklanmalıdır.
- Tereyağı ve peynir: Bu tür yiyecekler, hava geçirmez folyoya ya da plastik film poşetlere sarılmalıdır.
- Süt şişeleri: Bu şişelerin ağzı kapatılmalı ve kapak raflarında saklanmalıdır.

### 8.2 Dondurma işlemi için tavsiyeler

- Cihazı ilk kez çalıştırdığınızda veya belirli bir süre kullanım dışı bıraktıktan sonra, yiyecekleri bölmeye yerleştirmeden önce cihazı en az 2 saat en yüksek ayarda çalışmaya bırakın.
- Yiyeceklerin hızlı ve tamamen donmasını ve buzu eridikten sonra sadece tüketilecek miktarda tüketilebilmesini sağlamak için yiyecekleri küçük porsiyonlara bölün.
- Yiyecekleri alüminyum folyoya veya hava geçirmeyen polietilen yiyecek poşetlerine sarın.
- Donmuş yiyeceklerin içindeki sıcaklığın yükselmesini önlemek için taze veya donmamış yiyeceklerin önceden donmuş yiyeceklerle temas etmesine izin vermeyin.
- Donmuş ürünler, dondurucu bölümünden çıkarıldıktan hemen sonra tüketilirse iltte soğuk yanıklarına neden olur.
- Saklama süresini takip etmek için her donmuş paketin üzerine etiket yapıştirip tarih yazmanız önerilir.

### Donmuş yiyeceklerin muhafazasıyla ilgili tavsiyeler

- Donmuş yiyeceğin gıda perakendecisi tarafından doğru saklandığından emin olun
- Buz çözme işlemi uygulandığında yiyecekler çabuk bozulur ve tekrar dondurulamaz. Yiyecek üreticisinin belirttiği muhafaza sürelerini aşmayın.

## 9. TEMİZLİK VE BAKIM

Hijyenik nedenlerden dolayı cihaz, (iç ve dış aksesuarlar da dahil olmak üzere) her iki ayda bir düzenli olarak iyice temizlenmelidir.



#### **DİKKAT!**

Temizlik işlemi sırasında cihazın fişi prize takılı olmamalıdır. Elektrik çarpma tehlikesi! Temizlik işleminden önce cihazı kapatın ve elektrik fişini prizden çekin.

### 9.1 Dış temizlik

Cihazınızın iyi görünümünü korumak için düzenli olarak temizlemelisiniz.

- Dijital paneli ve gösterge panelini temiz ve yumuşak bir bezle silin.
- Suyu doğrudan cihaz yüzeyine püskürtmeyip temizlik bezine püskürtün. Bu yöntem, nemin yüzeye eşit şekilde dağıtılmasını sağlar.
- Kapıları, kolları ve kabin yüzeylerini yumuşak bir deterjanla temizleyin ve ardından bunları yumuşak bir bezle kurulaşın.



#### **DİKKAT!**

- Yüzeysel çizileceklerinden keskin cisimler kullanmayın.
- Temizlik için tiner, araba deterjanı, çamaşır suyu, uçucu petrol ürünleri, aşındırıcı temizlik ürünleri veya Benzene gibi organik çözücüler kullanmayın. Bu ürünler cihazın yüzeyine zarar verebilir ve yangına sebep olabilir.

### 8.3 Cihazınızın kapatılması

Cihazın uzun bir süre için kapatılması gerekiyorsa cihazda küf oluşumlarını önlemek için aşağıdaki önlemler alınmalıdır.

1. İçindeki tüm yiyecekleri çıkarın.
2. Elektrik fişini prizden çekin.
3. Cihazın içini iyice temizleyip kurulaşın.
4. Havanın içeride dolaşması için tüm kapılara bir takoz koyarak kapanmalarını önlediğinizden emin olun.

### 9.2 İç temizlik

- Cihazın iç kısmını düzenli olarak temizlemeniz gerekir. Yiyecek miktarı az olduğunda temizlemek daha kolaydır. Soğutucunun ve dondurucunun içini çok güçlü olmayan bir sodalı karbonat solüsyonuyla silin ve ardından suyu sıkılmış bir sünger veya bez kullanarak ılık suyla ovun. Rafları ve sepetleri yerleştirmeden önce tamamen kurulaşın. Tüm yüzeyleri ve çıkarılabilir parçaları iyice kurulaşın.
- Bu cihazın buzu otomatik olarak çözülsün de dondurucunun kapısı sık sık açılırsa veya uzun süre açık bırakılırsa dondurucunun iç duvarlarında bir buz katmanı oluşabilir. Buz çok kalınsa buzdolabındaki yiyeceklerin az olduğu bir zamanı seçin ve aşağıdaki adımları izleyin:
  1. Mevcut yiyecekleri ve aksesuar sepetlerini çıkarın. Cihazın fişini elektrik prizinden çekin ve kapakları açık bırakın. Eritme sürecini hızlandırmak için odayı iyice havalandırın.
  2. Buz çözme işlemi tamamlandığında dondurucunuzu yukarıda açıklandığı şekilde temizleyin.



#### **DİKKAT!**

Dondurucu bölmesindeki buzu temizlemek için keskin cisimler kullanmayın. Yalnızca cihazın içi tamamen kuruduktan sonra cihaz tekrar çalıştırılabilir ve fişi elektrik prizine takılabilir.

### 9.3 Kapak contalarını temizleme

Kapak contalarını temiz tutmaya dikkat edin. Yapışkan yiyecek ve içecekler contaların kabine yapışmasına ve kapağı açtığınızda yırtılmasına neden olabilir. Contayı yumuşak bir deterjanlı ılık suyla yıkayın. Temizlik işleminden sonra iyice durulayıp kurulayın.



#### DİKKAT!

Yalnızca kapak contaları tamamen kuruduktan sonra cihazın fişi elektrik prizine takılabilir.



#### UYARI!

LED ışık, kullanıcı tarafından değiştirilmemelidir! LED ışık hasar görmüşse destek için müşteri yardım hattıyla iletişime geçin.

## 10. SORUN GİDERME

Cihazınızla ilgili bir problem yaşıyorsanız veya cihazınızın düzgün çalışmadığını düşünüyorsanız servisi aramadan önce bazı basit kontroller yapabilirsiniz; lütfen aşağıdaki bölüme bakın. Servisi aramadan önce bu bölümdaki talimatlara göre bazı basit kontroller yapabilirsiniz.



#### UYARI!

Cihazı kendiniz onarmaya çalışmayın. Aşağıda belirtilen kontrolleri yaptıktan sonra sorun devam ederse yetkili bir elektrik görevlisiyle, yetkili servis mühendisiyle veya ürünü satın aldığınız mağazayla iletişime geçin.

Sorun	Olası neden ve çözüm
Cihaz düzgün çalışmıyor	Elektrik fişinin prize düzgün bir şekilde takılmış olduğundan emin olun.
	Güç kaynağınızın sigortasını veya devresini kontrol edin; gerekirse değiştirin.
Bölmelerden koku geliyor	Dondurucunun otomatik buz çözme modunda çalışmaması veya cihaz çalışmaya başladıktan sonra kısa bir süreliğine kompresörü korumak için çalışmaması normaldir.
	Buzdolabının iç kısmının temizlenmesi gerekebilir. Bazı yiyecekler, kaplar veya paketler kokuya neden olabilir.
Cihazdan ses geliyor	Aşağıdaki sesler oldukça normaldir: Kompresör çalışma sesi. <ul style="list-style-type: none"> <li>Dondurucu bölmesindeki veya diğer bölmelerdeki küçük fan motorundan gelen hava hareketi sesi.</li> <li>Suyun kaynamasına benzer bir fokurdama sesi.</li> <li>Otomatik buz çözme işlemi sırasında duyulan patırtılar.</li> <li>Kompresör çalışmaya başlamadan önce duyulan tıkırtı sesi.</li> </ul>
	Diğer olağandışı sesler aşağıdaki nedenlerden kaynaklanıyor olabilir ve kontrol edip önlem almanız gerektiği anlamına gelebilir: Kabin düz durmuyordur. Cihazın arkası duvara değiyordur. Şişeler veya kaplar düşmüş veya yuvarlanıyor olabilir.



Motor devamlı çalışıyor	<p>Motor sesini sıkça duymanız normaldir; aşağıdaki durumlarda daha fazla çalışması gerekir:</p> <ul style="list-style-type: none"> <li>• Sıcaklık ayarı gerektiğinden daha soğuk bir dereceye ayarlandığında</li> <li>• Çok miktarda sıcak yiyecek cihaza yeni yerleştirildiğinde.</li> <li>• Cihazın dışındaki sıcaklık çok yüksekken.</li> <li>• Kapılar uzun süre açık kaldığında.</li> <li>• Cihazı monte ettikten sonra veya cihaz uzun süre kapalı kaldığında.</li> </ul>
Bölmede buz katmanı oluşuyor	<p>Hava çıkışlarının yiyecekler tarafından kapanmadığından ve yiyeceklerin cihaz içine yeterli havalandırmaya imkan verecek şekilde yerleştirildiğinden emin olun. Kapağın tam olarak kapalı olduğundan emin olun. Buzu çözmek için lütfen "temizleme ve bakım" bölümüne bakın.</p>
İçerideki sıcaklık çok yüksek	<p>Kapıları çok uzun süre açık bırakmış veya çok sık açmış olabilirsiniz, kapılar bir engel nedeniyle açık kalmış olabilir ya da cihazın yan, arka ve üst taraflarında yeterli boşluk bırakılmamış olabilir.</p>
İçerideki sıcaklık çok düşük	<p>"Ekran kontrolleri" bölümündeki talimatlara uyarak sıcaklığı artırın.</p>
Kapılar zor kapanıyor	<p>Buzdolabının üst kısmının kapıların kendiliğinden kapanmasını sağlamak için 10-15 mm arkaya eğilmiş olup olmadığını kontrol edin veya buzdolabının içindeki bir cismin kapıların kapanmasını engellemediğinden emin olun.</p>
Zemine su damlıyor	<p>Su tepsisi (kabinin arka alt tarafındadır) düzgün dengelenmemiş, tahliye borusu (kompresör deposunun üstünde alt taraftadır) suyu tepsiyeye yönlendirecek şekilde düzgün yerleştirilmemiş ya da su borusunu tıkanmış olabilir. Tepsiyi ve boruyu kontrol etmek için buzdolabını duvardan uzaklaştırmanız gerekebilir.</p>
Lamba yanmıyor	<p>LED lamba zarar görmüş olabilir. LED lambaları değiştirmek için temizleme ve bakım bölümüne bakın. Kapaklar uzun süre açık bırakıldığı için kontrol sistemi lambaları devre dışı bırakmış olabilir. Lambaları tekrar etkinleştirmek için kapakları açıp kapatın.</p>
Kapılar rahatça açılmıyor	<p>Kapı contasını kontrol edin; gerekirse kapının kenarlarındaki lastik contayı bulaşık deterjanı ve ılık su kullanarak temizleyin. Burada kir tabakası birikerek kapının buzdolabına yapışmasına neden olabilir.</p>

## 11. CİHAZIN ATILMASI

Buzdolabı, yeniden kullanılabilir malzemelerden üretilmiştir. Geçerli yerel atık bertaraf yönetmeliklerine uygun şekilde atılmalıdır. Cihazın soğutucu devresinde küçük miktarda soğutma gazı (R600a) bulunur. Güvenliğiniz için lütfen bu Kullanım Kılavuzundaki "soğutma gazı ve yangın riski" bölümüne bakın. Buzdolabını kullanılamaz hale

getirmek için lütfen güç kablosunu çıkarın; kapı contasını ve kilidini sökün. Lütfen soğutma sistemi ile ilgili dikkatli olun ve soğutma gazı kabını delerek ve/veya boruları bükerek ve/veya yüzey kaplamasını çizerek cihaza zarar vermeyin.

### Bu ürünün doğru şekilde atılması



Cihazın veya cihazla birlikte verilen belgelerin üzerindeki bu sembol, bu cihazın evsel atık olarak değerlendirilmemesi gerektiğini belirtir. Bunun yerine, elektrikli ve elektronik ekipmanların geri dönüşümü için uygun bir atık toplama noktasına götürülmelidir. Ürünün hatalı bir şekilde atılması veya imha edilmesi çevre ve insan sağlığı açısından olumsuz sonuçlara yol açabilir. Bu nedenle, bu ürünün doğru bir şekilde elden çıkarılmasını sağlayarak potansiyel olumsuz sonuçları önlemeye yardımcı olmuş olursunuz. Bu ürünün geri dönüşümü hakkında daha detaylı bilgi için lütfen mahalli idareyle, ev çöpü toplama servisiyle ya da ürünü satın aldığınız mağaza ile temasa geçin.

## 12. TEKNİK VERİLER

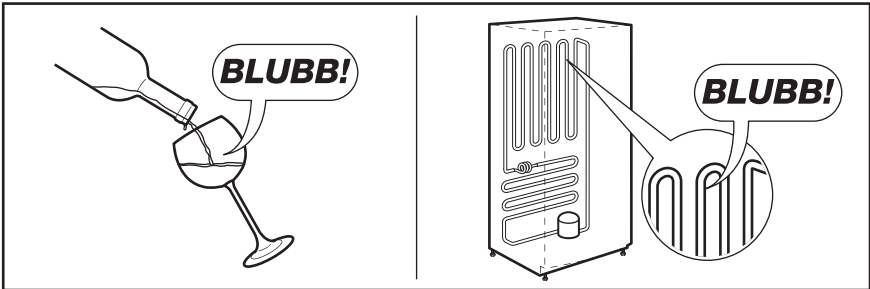
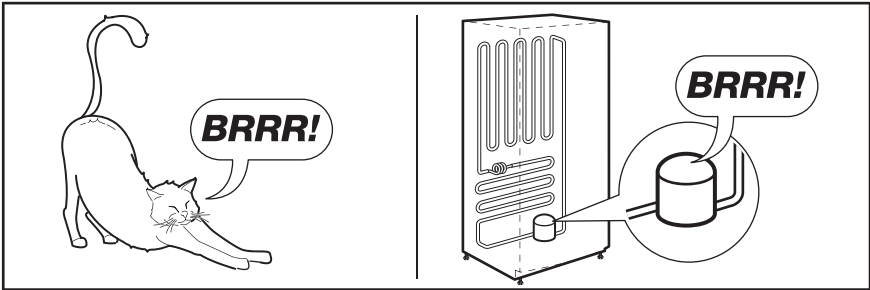
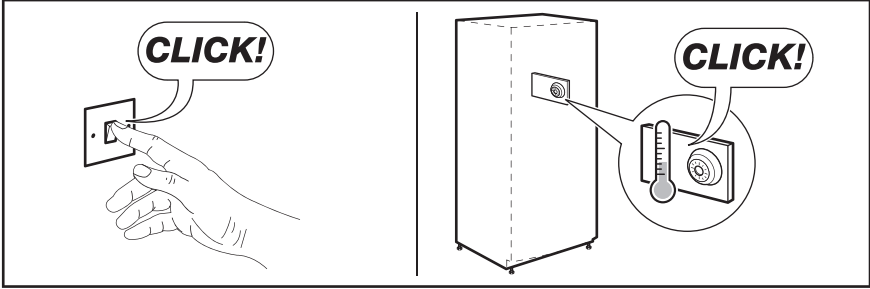
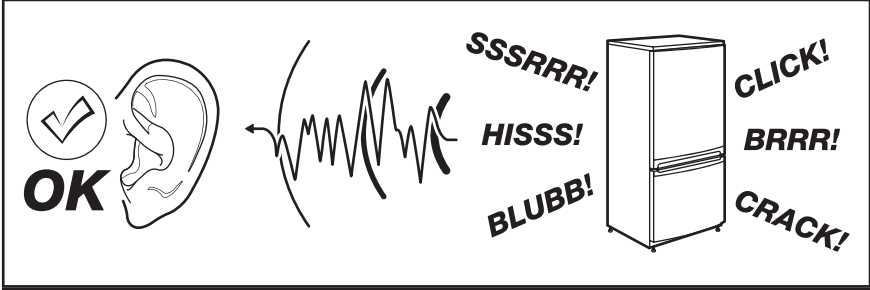
Boyut	
Yükseklik	1766 mm
Genişlik	912 mm
Derinlik	765 mm
Başlatma Süresi	12 sa
Voltaj	220-240 V
Frekans	50 Hz

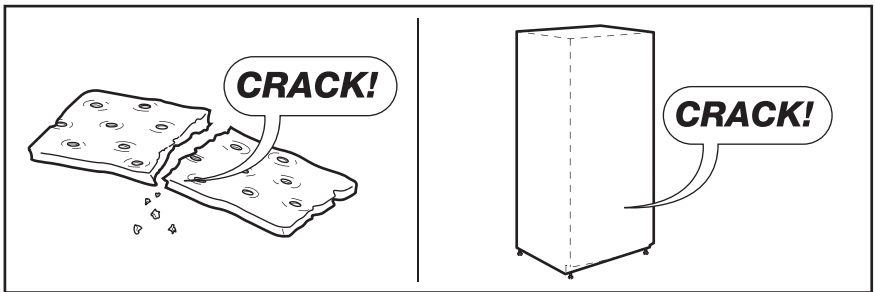
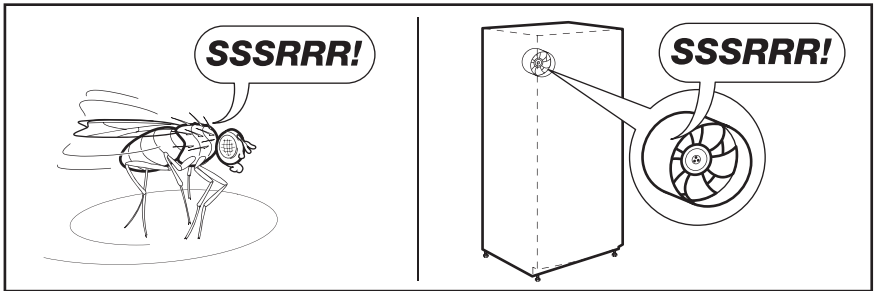
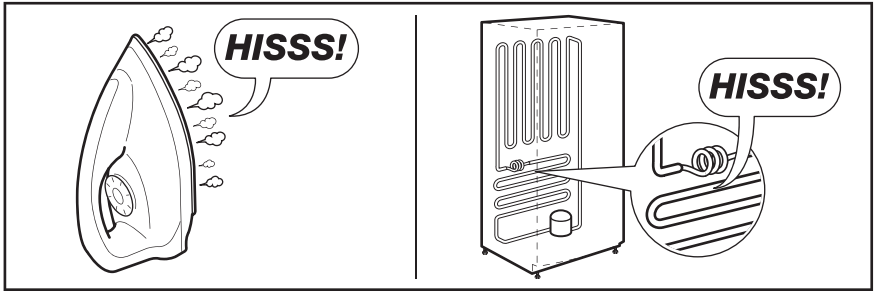
Teknik bilgi, cihazın iç sol tarafındaki bilgi etiketinde ve enerji etiketinde bulunmaktadır.



## 13. SESLER

Normal çalışma sırasında bazı sesler gelebilir (kompresör, soğutucu devresi).







## ЗМІСТ

1. ІНФОРМАЦІЯ ЩОДО БЕЗПЕКИ .....	359
2. ІНФОРМАЦІЯ З ТЕХНІКИ БЕЗПЕКИ .....	360
3. ОХОРОНА ДОВКІЛЛЯ .....	361
4. ОПИС ПРИЛАДУ.....	362
5. ВСТАНОВЛЕННЯ НОВОГО ПРИЛАДУ.....	364
6. ЕЛЕМЕНТИ УПРАВЛІННЯ ДИСПЛЕЮ.....	366
7. ВИКОРИСТАННЯ ПРИЛАДУ.....	368
8. КОРИСНІ ПОРАДИ ТА РЕКОМЕНДАЦІЇ.....	372
9. ЧИЩЕННЯ ТА ДОГЛЯД.....	373
10. УСУНЕННЯ НЕСПРАВНОСТЕЙ .....	374
11. УТИЛІЗАЦІЯ ПРИЛАДУ.....	375
12. ТЕХНІЧНІ ДАНІ .....	376
13. ШУМИ .....	376

## ДЛЯ ВІДМІННОГО РЕЗУЛЬТАТУ

Дякуємо, що обрали цей прилад Electrolux. Ми створили його для бездоганної роботи протягом багатьох років, за інноваційними технологіями, які допомагають робити життя простішим — це властивості, які можна й не знайти в звичайних приладах. Прیدіліть декілька хвилин, аби прочитати, як отримати найкраще від цього приладу.

### Звертайтеся на наш веб-сайт:



Поради з використання, брошури, інструкції з усунення несправностей, сервісна інформація:  
**[www.electrolux.com](http://www.electrolux.com)**



Зареєструйте виріб, щоб отримати покращене обслуговування:  
**[www.electrolux.com/productregistration](http://www.electrolux.com/productregistration)**



Придбання приладдя, витратних матеріалів і оригінальних запчастин для вашого приладу:  
**[www.electrolux.com/shop](http://www.electrolux.com/shop)**

## РОБОТА З КЛІЄНТАМИ ТА СЕРВІСНЕ ОБСЛУГОВУВАННЯ

Рекомендується використовувати оригінальні запчастини.

При звертанні до сервісного центру необхідно мати наступну інформацію: модель, номер виробу, серійний номер.

Її можна знайти на табличці з технічними даними.

 Попередження! / Важлива інформація з техніки безпеки.

 Загальна інформація й рекомендації

 Інформація щодо захисту навколишнього середовища.

Може змінитися без оповіщення.



# 1. ІНФОРМАЦІЯ ЩОДО БЕЗПЕКИ

Перед установкою та експлуатацією приладу слід уважно прочитати інструкцію користувача. Виробник не несе відповідальності за пошкодження, що виникли через неправильне встановлення чи експлуатацію. Інструкції з користування приладом слід зберігати з метою користування в майбутньому.

## 1.1 Безпека дітей і вразливих осіб

- Діти від восьми років, особи з обмеженими фізичними, сенсорними чи розумовими здібностями й особи без відповідного досвіду та знань можуть користуватися цим приладом лише під наглядом або після проведення інструктажу стосовно безпечного користування приладом і пов'язаних ризиків.
- Не дозволяйте дітям гратися з приладом.
- Не можна доручати чищення або технічне обслуговування приладу дітям без відповідного нагляду.
- Пакувальні матеріали слід тримати в недоступному для дітей місці.

## 1.2 Загальні правила безпеки

- Цей прилад призначено для використання в побутових і аналогічних сферах:
  - у фермерських будинках, на кухнях магазинів, офісів та інших робочих середовищ;
  - клієнтами готелів, мотелів, міні-готелів та в інших житлових приміщеннях.
- Вентиляційні отвори в корпусі приладу та у вбудованій конструкції мають бути відкритими.
- Для прискорення процесу розморожування не застосовуйте механічні пристрої або інші засоби, окрім тих, що рекомендовані виробником.
- Стежте за тим, щоб не пошкодити контур циркуляції холодоагенту.
- Не застосовуйте електричні пристрої всередині відділень для зберігання продуктів, якщо вони не передбачені для цієї мети виробником.
- Не застосовуйте водяні розпилювачі або пару для чищення.
- Протріть прилад вологою м'якою ганчіркою. Використовуйте тільки нейтральні миючі засоби. Не використовуйте абразивні засоби, жорсткі серветки для очищення, розчинники або металеві предмети.
- Не зберігайте в цьому приладі легкозаймисті речовини, зокрема аерозольні балончики з паливом.

- У разі пошкодження кабелю живлення зверніться для його заміни до виробника, сервісного центру чи іншої кваліфікованої особи. Робити це самостійно небезпечно.
- Якщо прилад оснащений пристроєм для приготування льоду або дозатором води, заповнюйте їх лише питною водою.
- Якщо прилад вимагає підключення до водопроводу, підключайте його лише до водопроводу з питною водою.
- Мінімальний тиск води на вході має становити 0,1 МПа (1 бар), а максимальний — 1 МПа (10 бар).

## 2. ІНФОРМАЦІЯ З ТЕХНІКИ БЕЗПЕКИ

### 2.1 Установка



#### ПОПЕРЕДЖЕННЯ!

Цей прилад повинен встановлювати лише кваліфікований фахівець.

- Повністю зніміть упаковку.
- Не встановлюйте й не використовуйте пошкоджений прилад.
- Дотримуйтесь інструкцій зі встановлення, що постачаються із приладом.
- Прилад важкий, тому будьте обережні, пересуваючи його. Обов'язково одягайте захисні рукавички.
- Подбайте про те, щоб повітря могло вільно циркулювати навколо приладу.
- Зачекайте щонайменше 4 години, перш ніж під'єднати прилад до електромережі. Це потрібно для того, щоб масло могло стекти назад до компресора.
- Не встановлюйте прилад поблизу обігрівачів, кухонних плит, духових шаф чи варильних поверхонь.
- Задня стінка приладу повинна стояти біля стіни.
- Встановлюйте прилад так, щоб на нього не попадало пряме сонячне проміння.
- Не встановлюйте прилад у місцях з високою вологістю або низькою температурою, наприклад у примурках, гаражах або винних льохах.
- Пересуваючи прилад, піднімайте його за передній край, аби не подряпати підлогу.

### 2.2 Під'єднання до електромережі



#### ПОПЕРЕДЖЕННЯ!

Існує ризик займання та ураження електричним струмом.

- Прилад повинен бути заземленим.
- Переконайтеся, що електричні параметри на таблиці з технічними даними відповідають параметрам електромережі. У разі невідповідності слід звернутися до електрика.
- Завжди використовуйте правильно встановлену протиударну розетку.
- Не використовуйте розгалужувачі, перехідники й подовжувачі.
- Стежте за тим, щоб не пошкодити електричні компоненти (наприклад, штепсель, кабель живлення, компресор). При необхідності заміни електрокомпонентів слід звернутися до відповідної служби чи до електрика.
- Кабель живлення повинен знаходитися нижче рівня штепсельної вилки.

Вставляйте штепсельну вилку в розетку електроживлення лише після закінчення установки. Переконайтеся, що після установки є вільний доступ до розетки електроживлення. Не тягніть за кабель живлення, щоб вимкнути прилад із мережі. Завжди вимикайте, витягаючи штепсельну вилку.

### 2.3 Користування



#### ПОПЕРЕДЖЕННЯ!

Існує небезпека травмування, опіків, ураження електричним струмом і пожежі.

- Не змінюйте технічні специфікації цього приладу.
- Не дозволяється класти всередину приладу інші електричні прилади (наприклад, апарати для виготовлення






морозива), якщо інше не зазначається виробником.

- Стежте за тим, щоб не пошкодити контур циркуляції холодоагенту. У ньому міститься ізобутан (R600a), природний газ із високим рівнем екологічності. Цей газ є займистим.
- У разі пошкодження контуру циркуляції холодоагенту, переконайтесь у відсутності полум'я та джерел займання в кімнаті. Провітріть приміщення.
- Не ставте гарячі предмети на пластикові частини приладу.
- Не кладіть газовані напої в морозильну камеру. Це створить тиск на пляшку з напоєм.
- Не зберігайте у приладі займісті гази та рідини.
- Не кладіть усередину приладу, поряд із ним або на нього легкозаймісті речовини чи предмети, змочені в легкозаймістих речовинах.
- Не торкайтесь до компресора чи конденсатора. Вони гарячі.
- Не виймайте предмети з морозильної камери та не торкайтесь їх мокрими або вологими руками.
- Не заморожуйте ті продукти, що були раніше розморожені.
- Дотримуйтеся вказаних на упаковці продуктів інструкцій щодо зберігання.

## 2.4 Внутрішня підсвітка

- Лампочка в цьому приладі не придатна для освітлення житлових приміщень

## 3. ОХОРОНА ДОВКІЛЛЯ

Здавайте на повторну переробку матеріали, позначені символом . Викидайте упаковку у відповідні контейнери для вторинної сировини. Допоможіть захистити навколишнє середовище та здоров'я інших людей і забезпечити вторинну переробку

## 2.5 Догляд і чищення



### ПОПЕРЕДЖЕННЯ!

Існує ризик травмування або пошкодження приладу.

- Перед початком ремонту прилад треба від'єднати від електромережі, знявши запобіжник або витягнувши шнур живлення з розетки.
- У холодильному агрегаті цього приладу містяться вуглеводні. Обслуговування та перезарядження агрегату повинен виконувати лише кваліфікований спеціаліст.
- Регулярно оглядайте дренажний отвір приладу та очищуйте його за необхідності. У разі блокування отвору розморожена вода збиратиметься на дні приладу.


## 2.6 Утилізація



### ПОПЕРЕДЖЕННЯ!

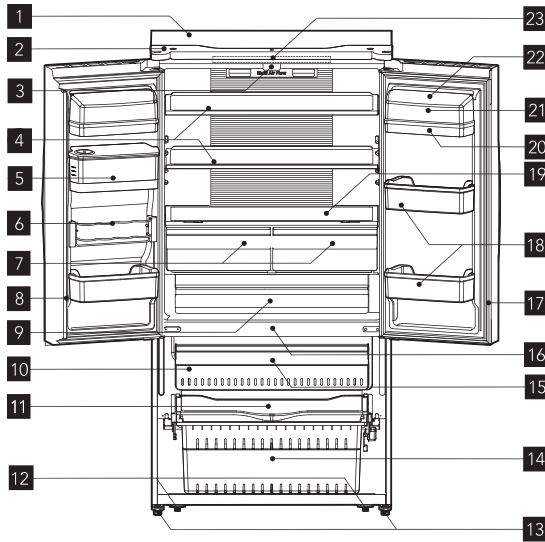
Існує небезпека задушення.

- Від'єднайте прилад від електромережі.
- Відріжте кабель живлення і викиньте його.
- Зніміть дверцята, щоб запобігти запиранню дітей чи домашніх тварин усередині приладу.
- Контур циркуляції холодоагенту й ізоляційні матеріали приладу є екологічно чистими.
- Ізоляційна піна містить займистий газ. По інформацію з належної утилізації пристрою зверніться до органів муніципальної влади.
- Не пошкоджуйте елементи охолоджувача, що знаходяться поруч із теплообмінником.

електричних і електронних приладів. Не викидайте прилади, позначені символом  разом з іншим домашнім сміттям. Поверніть продукт до заводу із вторинної переробки у вашій місцевості або зверніться до місцевих муніципальних органів влади.

## 4. ОПИС ПРИЛАДУ

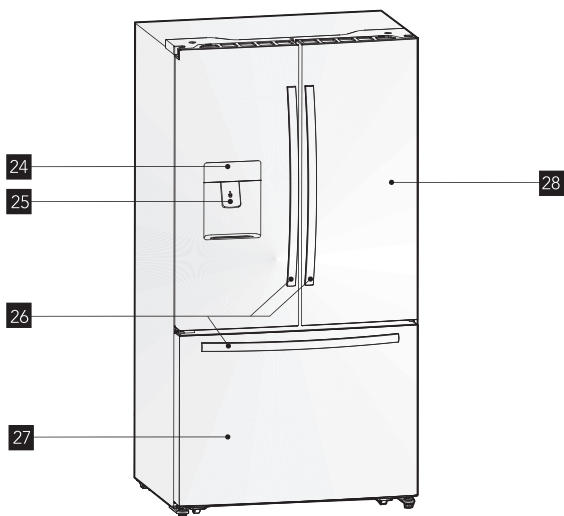
### 4.1 Мал. 1. Вигляд приладу



- |  |  |
|--|--|
| <b>1</b> Корпус                                  | <b>13</b> Регульовані ніжки                                |
| <b>2</b> Верхня панель                           | <b>14</b> Нижня шухляда морозильника                       |
| <b>3</b> Напрямний блок вертикальної перегородки | <b>15</b> Верхня шухляда морозильника                      |
| <b>4</b> Скляна поличка                          | <b>16</b> Світлодіодне освітлення морозильника (всередині) |
| <b>5</b> Резервуар для води                      | <b>17</b> Ущільнювач дверцят холодильника                  |
| <b>6</b> Регульована полиця для банок            | <b>18</b> Нижня полиця                                     |
| <b>7</b> Контейнер для фруктів та овочів         | <b>19</b> Кришка контейнера для фруктів та овочів          |
| <b>8</b> Частина вертикальної перегородки        | <b>20</b> Верхня полиця                                    |
| <b>9</b> Відділення для збереження свіжості      | <b>21</b> Лоток для яєць (всередині)                       |
| <b>10</b> Поворотний лоток для льоду (всередині) | <b>22</b> Кришка полиці                                    |
| <b>11</b> Службовий піддон                       | <b>23</b> Світлодіодне освітлення холодильника (всередині) |
| <b>12</b> Ролики                                 |  |



## 4.2 Мал. 2. Вигляд приладу



**24** Дисплей панелі управління

**25** Дозатор холодної води

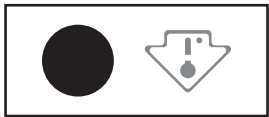
**26** Ручки

**27** Дверцята морозильника

**28** Дверцята холодильника

**Примітка.** Завдяки постійним покращенням наших виробів ваш холодильник може дещо відрізнятись від наведеного вище малюнка, але його функції та способи використання залишаються незмінними.

**Примітка.** Для забезпечення оптимальної енергоефективності приладу розташуйте усі полиці, шухляди та кошики у початковому положенні як на малюнку вище.



Цей прилад продається у Франції. Згідно з нормативними положеннями, які діють у цій країні, разом із приладом має постачатись спеціальний пристрій (див. малюнок), що розташований у нижньому відділенні морозильника і вказує найхолоднішу його зону.

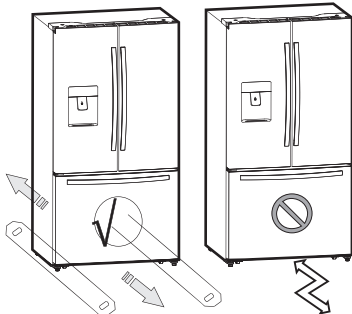
## 5. ВСТАНОВЛЕННЯ НОВОГО ПРИЛАДУ

В даному розділі пояснюється встановлення нового приладу перед першим користуванням. Рекомендуємо прочитати наступне



### ПОПЕРЕДЖЕННЯ!

Для належного встановлення цей холодильник слід поставити на рівній поверхні з твердого матеріалу, що має таку саму висоту, що і решта підлоги. Поверхня повинна бути досить міцною, аби витримати повністю завантажений холодильник вагою приблизно 120 кг (266 фунтів). Переміщувати прилад можна лише у вертикальному положенні.



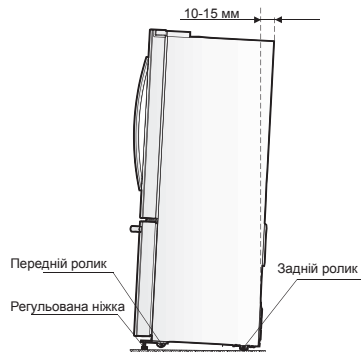
Клас	Символ	Діапазон навколишньої температури (°C)
Помірний (широкий діапазон)	SN	від +10 до +32
Помірний	N	від +16 до +32
Субтропічний	ST	від +16 до +38
Тропічний	T	від +16 до +43

### 5.1 Вирівнювання приладу

Для належного вирівнювання та уникнення вібрації прилад оснащено регульованими ніжками спереду. Відрегулюйте рівень, виконавши наведені нижче дії.

1. Поставте холодильник у бажане місце.
2. Викручуйте регульовані ніжки (пальцями або відповідним гайковим ключем), доки вони не торкнуться підлоги.

3. Відхиліть назад верхню частину холодильника приблизно на 10-15 мм, повернувши ніжки на 1-2 оберти далі. Це дозволить самостійно зачинятися дверцятам, забезпечуючи щільне прилягання.
4. Щоразу, коли ви хочете перемістити прилад, не забувайте закрутити ніжки назад наверх, аби можна було вільно котити холодильник. Після переміщення повторно встановіть прилад.

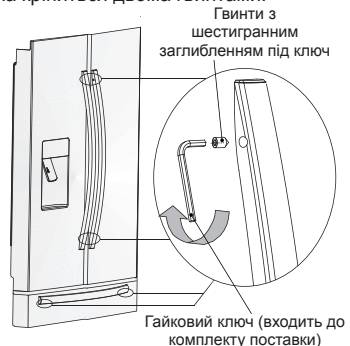


### ПОПЕРЕДЖЕННЯ!

Ролики, які не є колісцатами, повинні використовуватися лише для переміщення вперед або назад. Переміщення холодильника в сторону може пошкодити підлогу та ролики.

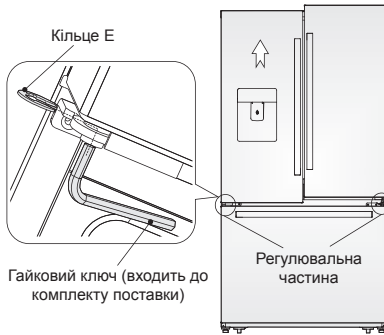
### 5.2 Регулювання ручок дверцят

Перед використанням приладу перевірте ручки холодильника. Якщо ручки прилягають до дверцят нещільно, затягніть фіксуючі гвинти за допомогою гайкового ключа в напрямку за годинниковою стрілкою. Кожна ручка кріпиться двома гвинтами.



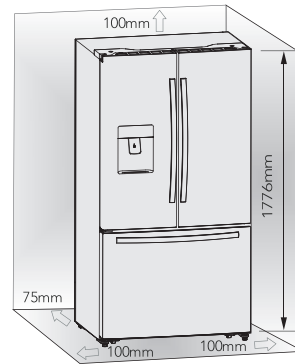
### 5.3 Регулювання дверцят

- Ліві та праві дверцята оснащені вісями, що регулюються, які знаходяться в нижніх петлях.
- Перед регулюванням дверцят переконайтеся, що холодильник вирівняно. Зверніться до попереднього розділу «Вирівнювання приладу». Якщо верхні частини дверцят розташовані не на одному рівні, поверніть вісь петлі за допомогою гайкового ключа в напрямку за годинниковою стрілкою, аби підняти дверцята, або проти годинникової стрілки, аби опустити їх. Потім вставте кільце E в отвір.

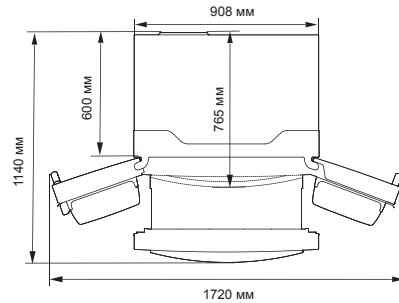


### 5.4 Вентиляція приладу

З метою підвищення ефективності системи охолодження і економії енергії, необхідно підтримувати належну вентиляцію навколо приладу для розсіювання тепла. Для цього слід залишити достатньо місця навколо холодильника та прибрати всі предмети, які заважають вільній циркуляції повітря.



**Рекомендація.** Для забезпечення оптимальної роботи приладу залиште відстані, як показано на малюнку вище.



## 6. ЕЛЕМЕНТИ УПРАВЛІННЯ ДИСПЛЕЮ

Всі елементи управління налаштуваннями та функціями приладу доступні на панелі управління, яка зручно розташована на дверцятах холодильника. Зручні та інтуїтивно зрозумілі сенсорні кнопки та цифровий дисплей забезпечують легкість налаштування функцій та параметрів приладу.

**Важливо!** Сенсорні кнопки реагують лише на коротке натиснення. Обрана операція виконується, коли користувач прибирає палець із сенсорної кнопки, а не під час її натиснення. Не тисніть на кнопки занадто сильно. Увімкнення

функції захисту від дітей, пов'язаної із кнопкою «Alarm», здійснюється тривалим натисненням кнопки (протягом не менше 3 секунд). Детальні інструкції див. у відповідних розділах цієї інструкції. На панелі управління розміщені індикатори двох температурних зон, п'ять значків різних режимів роботи та шість сенсорних кнопок. При першому включенні приладу спрацьовує підсвітка значків на дисплеї. Якщо протягом 60 секунд не було натиснуто жодної кнопки на панелі управління і дверцята холодильника залишалися зачиненими, підсвітка вимикається.



### Регулювання температури

При першому включенні холодильника рекомендується встановити температуру в холодильній камері на 5°C, а морозильній на -18°C. Якщо ви хочете змінити температуру, виконайте наведені нижче дії.



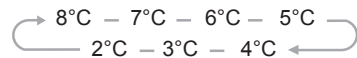
#### УВАГА!

При встановленні температури ви встановлюєте середню температуру для всього холодильного відділення. Температури всередині кожного відділення можуть відрізнятися від значень температури, відображених на панелі, в залежності від того, скільки продуктів ви зберігаєте та місця їхнього розташування. Температура навколишнього середовища також може впливати на фактичну температуру всередині приладу.

### 6.1 Fridge (Холодильник)

Натискайте кнопку «Fridge» (Холодильник) декілька разів, щоб встановити бажану температуру в холодильнику в діапазоні від 8°C до 2°C. При кожному натисненні кнопки температура зменшується на 1°C, а

на панелі управління відображаються відповідні значення згідно наступної послідовності.



### 6.2 Fast Cool (Швидке охолодження)

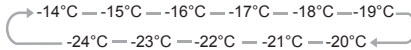


Якщо потрібно покласти велику кількість теплих продуктів, наприклад, після відвідування магазину, радимо активувати функцію «Fast Cool», щоб швидше охолодити придбані продукти та уникнути нагрівання продуктів, які вже зберігаються в холодильнику.

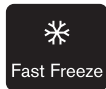
- Для активації цієї функції натисніть кнопку «Fast Cool». На панелі управління засвітиться значок швидкого охолодження, а індикатор температури холодильника покаже 2°C.
- Функція швидкого охолодження вимикається автоматично через 6 годин.
- Натисніть кнопку «Fast Cool» або «Fridge», щоб вимкнути режим швидкого охолодження і встановити попередньо задану температуру.

### 6.3 Freeze (Морозильник)

Натисніть кнопку «Freezer» (Морозильник), щоб встановити бажану температуру в морозильнику в діапазоні від  $-14^{\circ}\text{C}$  до  $-24^{\circ}\text{C}$ . На панелі управління відобразиться відповідне значення згідно наступної послідовності.



### 6.4 Fast Freeze (Швидке заморожування)

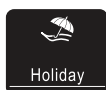


Функція швидкого заморожування дозволяє швидко знизити температуру в морозильній камері та значно прискорити процес заморожування продуктів.

Натисніть кнопку «Fast Freeze», щоб увімкнути функцію швидкого заморожування. На панелі управління засвітиться значок швидкого заморожування, і індикатор температури морозильника покаже  $-24^{\circ}\text{C}$ .

- При першому увімкненні холодильника або після тривалого простою у вимкненому стані режим швидкого заморожування можна використовувати лише через 6 годин роботи у звичайному режимі. Це особливо важливо при розміщенні у морозильній камері великої кількості продуктів для заморожування.
- Функція швидкого заморожування вимикається автоматично через 26 годин роботи морозильника в такому режимі, при цьому температура в морозильній камері опускається нижче  $-20^{\circ}\text{C}$ .
- Натисніть кнопку «Fast Freeze» або «Freezer», щоб вимкнути режим швидкого заморожування і встановити попередньо задану температуру.  
**Примітка.** При виборі режиму швидкого заморожування переконайтеся, що в морозильнику немає пляшок або банок з напоями (особливо газованими). Пляшки та банку можуть вибухнути.

### 6.5 Holiday



Ця функція призначена для зниження рівня енергоспоживання і зменшення витрат на

електроенергію, якщо холодильник не використовується протягом тривалого часу. Щоб увімкнути цю функцію натисніть кнопку «Holiday». На дисплеї відобразиться значок режиму відпустки.  
**Важливо!** Протягом цього періоду у холодильній камері не повинно бути продуктів.

- При увімкненні режиму відпустки температура холодильника автоматично перемикається на  $15^{\circ}\text{C}$  для зниження рівня енергоспоживання. На дисплеї температури холодильника відображається «-», а морозильне відділення залишається увімкненим.
- Натисніть кнопку «Holiday», щоб вимкнути режим відпустки і встановити задану раніше температуру.

### 6.6 Alarm (Попередження)



У випадку попередження засвітиться значок «Alarm» та лунатиме звуковий сигнал. Щоб вимкнути індикатор і звуковий сигнал, натисніть

кнопку «Alarm», після чого значок «Alarm» згасне.



#### УВАГА!

При увімкненні холодильника після тривалого простою у вимкненому стані може спрацювати система попередження. У цьому випадку необхідно натиснути кнопку «Alarm», щоб скасувати цю функцію.

### Попередження про відчинені дверцята

Індикатор попередження і звуковий сигнал повідомляють про будь-які нестандартні ситуації, наприклад, про випадкове відчинення дверцят або переривання подачі електроживлення.

- Якщо дверцята холодильного чи морозильного відділення залишаються відкритими більше 2 хвилин, загоряється відповідний індикатор і лунає звуковий сигнал. Звуковий сигнал подається 3 рази на хвилину протягом 10 хвилин. Щоб вимкнути звуковий сигнал та індикатор, зачиніть дверцята.
- Для заощадження енергії при користуванні холодильником не залишайте надовго дверцята відчиненими. Після зачинення дверцят індикатор попередження про відчинені дверцята згасає.

## Попередження про підвищення температури

Ця важлива функція попереджає вас про потенційно небезпечні ситуації, які можуть призвести до псування продуктів, які зберігаються в холодильнику. У випадку перерви в подачі електроенергії, наприклад, в результаті збою в енергопостачанні у вашому районі під час вашої відсутності, функція попередження про підвищення температури запам'ятає температуру в морозильній камері на момент відновлення подачі електроенергії. Це дозволить вам дізнатися, до якої температури нагрілись продукти під час перерви в енергопостачанні. Індикатор попередження про підвищення температури і звуковий сигнал включаються, якщо температура вища -9°C. При цьому:

- a- загоряється значок «Alarm»;
- b- показання індикатора температури в морозильній камері змінюються на символ «H»;
- c- звуковий сигнал лунає 10 разів після спрацювання попередження і вимикається автоматично.

## Захист від дітей



Щоб увімкнути функцію захисту від дітей, натисніть і утримуйте кнопку «Alarm» протягом 3 секунд.

Дисплей буде вимкнено для уникнення випадкової зміни налаштувань. В той же час на панелі керування засвітиться значок «Child Lock».

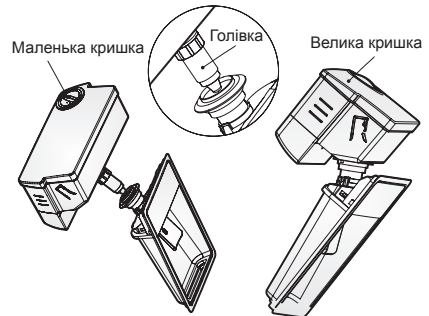
- Щоб вимкнути функцію захисту від дітей, натисніть і утримуйте протягом 3 секунд кнопку «Alarm». Значок «Child Lock» згасне.

## 7. ВИКОРИСТАННЯ ПРИЛАДУ

### 7.1 Дозатор холодної води

Дозатор холодної води, який знаходиться в лівих дверцятах холодильника, використовується для зберігання питної води. Цей пристрій дозволяє наливати охолоджену воду, не відкриваючи дверцята холодильника.

- Очищення  
Перед першим використанням необхідно вмити дозатор води.  
Крок 1: вийміть дозатор води.  
Крок 2: промийте його чистою водою.  
Крок 3: висушіть його.
- Збирання  
Щоб встановити дозатор на місце, виконайте наступні інструкції.
  1. Утримуючи ємність для води з обох сторін, підмініміть її і вийміть з дверцят.
  2. Відкрутіть голівку, обертаючи її проти годинникової стрілки.
  3. Встановіть конструкцію в дверцята і натисніть на ємність до клацання.



### ПОПЕРЕДЖЕННЯ!

При встановленні ємності для води спочатку переконайтеся, що голівка правильно розташована в отворі.

### Заповнення водою

Перш ніж заповнити ємність водою переконайтеся, що ємність надійно встановлена у правильному положенні. Щоб уникнути переповнення і протікання рівень води повинен бути нижче максимальної позначки, яка відповідає приблизно 4,0 літрам. Налити воду в ємність можна двома способами:

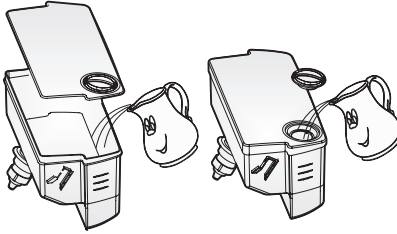


1. Зніміть маленьку кришку і налійте воду в ємність через отвір у великій кришці.
2. Зніміть велику кришку і налійте воду в ємність.

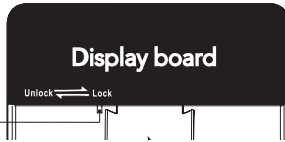


**УВАГА!**

Не налівайте в ємність для води інші рідини.



- **Блокування**  
Перш ніж приступити до використання дозатора води, переконайтеся, що він розблокований і знаходиться в положенні «unlock». Пристрій блокування знаходиться під дисплеєм панелі управління, як показано на малюнку.



Пристрій блокування



**ПОПЕРЕДЖЕННЯ!**

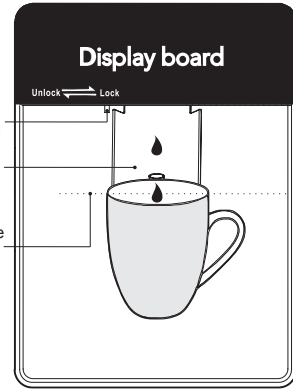
Пристрій блокування використовується для блокування дозатора. Не натискайте на важіль дозатора, якщо він заблокований і знаходиться в положенні «lock», оскільки це може призвести до пошкодження дозатора.

- Використання дозатора води  
Дозатор води можна використовувати лише з чашкою певного розміру.



**ПОПЕРЕДЖЕННЯ!**

Не натискайте на важіль дозатора при відсутності чашки під отвором подачі води, оскільки це може призвести до розливання води. Не прибирайте пристрій подачі води, навіть якщо дозатор води не використовується, аби з холодильника не виходило холодне повітря.



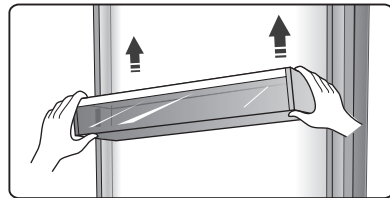
**Примітка.** При частому використанні дозатора у піддон можуть попадати краплі води, що в свою чергу може призвести до переповнення піддону. Витирайте піддон рушником за необхідності.

## 7.2 Полиця дверцят

Дверцята холодильного відділення оснащені полицями для зберігання різних напоїв в банках, пляшках та упаковок з продуктами. Не кладіть на полиці дверцят велику кількість важких продуктів.

- Середню полицю дверцят можна встановлювати на різній висоті відповідно до ваших потреб. Щоб зняти полицю необхідно підняти її верх. При цьому полиця повинна бути порожньою. Після цього можна встановити полицю на потрібній висоті.

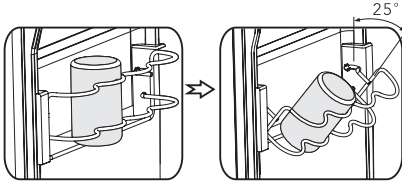
**Примітка.** В комплект постачання входить лоток для яєць, який слід встановити на верхній полиці.



## 7.3 Полиця для банок

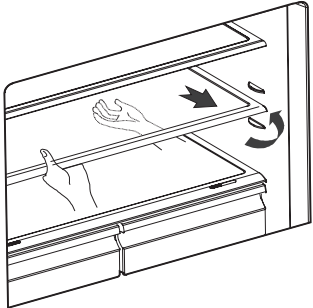
- Ця полиця призначена для зберігання 4 банок стандартного розміру, але не підходить для банок діаметром менше

50 мм. За необхідності полицю можна опустити вниз під кутом 25°, аби було зручніше ставити та виймати банки з напоями.

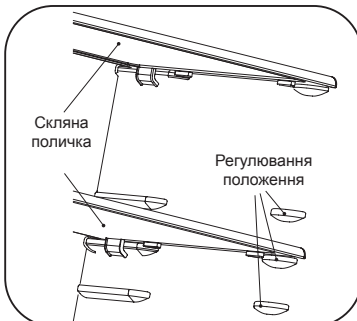


## 7.4 Скляні полицки

Камера холодильного відділення оснащена двома скляними полицками. Верхня полицка не знімається, нижню полицку можна переставляти. У холодильному відділенні передбачено три положення для встановлення нижньої полицки. Полицку можна встановити на потрібній вам висоті.



- Щоб зняти полицку, акуратно потягніть її на себе так, аби вона повністю вийшла з напрямних.
- При встановленні полицки переконайтесь у відсутності будь-яких перешкод і акуратно встановіть її на місце.



## 7.5 Контейнер для фруктів та овочів і регулювання вологості

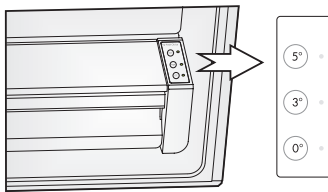


Контейнер для фруктів та овочів встановлено на телескопічних напрямних. За допомогою слайдера можна регулювати вологість всередині контейнера.

- Слайдер регулювання вологості дозволяє регулювати циркуляцію повітря в контейнері для фруктів та овочів; чим більше повітря потрапляє в контейнер, тим нижчий рівень вологості. Пересуньте слайдер регулювання вологості вправо, щоб збільшити рівень вологості.
- Високий рівень вологості рекомендується для зберігання овочів, а низький рівень — для фруктів.
- Щоб дістати контейнер для фруктів та овочів або шухляду морозильника для очищення, виконайте наступні прості дії. Дістаньте з контейнера для фруктів та овочів усі продукти і витягніть його повністю. Вийміть контейнер з бічних напрямних. Засуньте напрямні всередину приладу перш ніж зачинити дверцята холодильника, аби уникнути їхнього пошкодження.

## 7.6 FRESH ZONE. Точне регулювання температури (додаткова функція)

Оптимальна температура зберігання продуктів дозволяє зберігати їх свіжими довше, але різні типи продуктів повинні зберігатись при різній температурі. Справа від шухляди розташована панель управління охолодженням. За допомогою кнопок «FRESH ZONE» для цього відділення можна встановити температуру 0°C, 3°C та 5°C в залежності від продуктів, які зберігаються в ньому: м'яса, фруктів та овочів або делікатесів. Рекомендований температурний режим для кожного з типів продуктів наведено в таблиці нижче.



Делікатеси [5°C]	Овочі [3°C]	0°C [0°C]
Сир	Огірки	Стейки
Шинка	Салат-латук	Риба
Салати	Апельсини	М'ясна нарізка
Оливки	Кукурудза	Птиця

## 7.7 Використання холодильного відділення

В холодильному відділенні можна зберігати овочі та фрукти. Рекомендується використовувати окремі упаковки для зберігання різних типів продуктів, аби їхні запахи не змішувались між собою і продукти не втрачали вологу.



### УВАГА!

Не зачиняйте дверцята холодильника, якщо полиці, контейнер для фруктів та овочів та/або телескопічні напрямні висунуті. Це може призвести до пошкодження приладу.

## 7.8 Використання шухляди морозильної камери

Шухляда морозильної камери підходить для зберігання продуктів, які потрібно заморозити, наприклад, м'яса, морозива тощо.

Щоб вийняти шухляду, повністю відкрийте морозильну камеру, трохи підніміть службовий піддон і вийміть його, потім відкрийте дверцята холодильника максимально широко та вийміть нижню шухляду морозильної камери, як показано на малюнку.

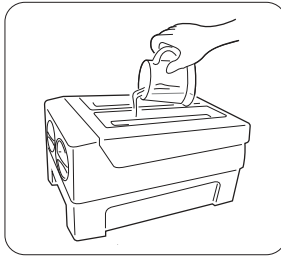


### УВАГА!

Не дозволяйте дітям залазити всередину холодильника, оскільки вони можуть травмуватися або пошкодити прилад. Не сідайте на дверцята морозильної камери. Дверцята можуть зламатися. Не дозволяйте дітям залазити в кошик морозильної камери. Якщо ви дістали перегородку з кошика морозильної камери для її очищення, необхідно встановити її на місце після закінчення очищення, аби діти не змогли залізти в кошик.

## 7.9 Поворотний лоток для льоду

- Поворотний лоток для льоду знаходиться у верхній шухляді морозильної камери і використовується для приготування та зберігання кубиків льоду.
  1. Наповніть питною водою до позначки максимального рівня.
  2. Помістіть заповнений водою лоток для льоду назад в скобу.
  3. Зачекайте приблизно 3 години, поверніть ручки за годинниковою стрілкою, і лід випаде в контейнер для льоду нижче.



## 8. КОРИСНІ ПОРАДИ ТА РЕКОМЕНДАЦІЇ

### 8.1 Корисні поради для заощадження енергії

Рекомендуємо дотримуватися наступних порад для заощадження енергії.

- Намагайтеся не залишати дверцята відкритими надовго, аби заощадити енергію.
- Переконайтеся, що прилад не знаходиться поряд з будь-якими джерелами тепла (пряме сонячне проміння, електрична духовка чи плита тощо).
- Не встановлюйте температуру нижчу, ніж потрібно.
- Не зберігайте в приладі страви, коли вони теплі; не зберігайте рідини, що випаровуються.
- Розмістіть прилад в приміщенні з гарною вентиляцією та відсутністю вологи. Зверніться до глави «Встановлення нового приладу».
- На малюнку 1 в розділі «Опис приладу» показано правильне розташування шухляд, контейнеру для овочів і фруктів та полиць, не змінюйте їхню конфігурацію, оскільки вона є найбільш енергоефективною.

#### Рекомендації щодо зберігання в холодильнику свіжих продуктів

- Не кладіть гарячі продукти безпосередньо в холодильник чи морозильник, оскільки температура всередині камер швидко підніметься, що змусить компресор працювати інтенсивніше та призведе до підвищення споживання енергії.
  - Накривайте або загортайте продукти, особливо ті, що сильно пахнуть.
  - Розміщуйте продукти так, щоб повітря могло вільно циркулювати довкола них.
- Поради щодо охолодження**
- М'ясо (будь-якого типу) Продукти, загорнуті в поліетиленову плівку: загорніть і покладіть на скляну полицю

4. Цей контейнер призначено також для зберігання льоду. За необхідності його можна вийняти, аби дістати потрібну кількість кубиків льоду.

**Примітка.** Якщо лоток для льоду новий або давно не використовувався, його потрібно спочатку помити.

над шухлядою для овочів. Завжди дотримуйтеся термінів зберігання продуктів та використовуйте до дат, зазначених виробниками.

- Готові страви, холодні страви тощо: Слід накрити і поставити на будь-яку полицю.
- Фрукти та овочі: Слід зберігати в спеціальній шухляді.
- Масло і сир: Слід загорнути в герметичну фольгу або пластикову плівку.
- Пляшки з молоком: Слід закрити кришками й зберігати на полицях дверцят.

### 8.2 Поради щодо заморожування

- При вмиканні після тривалого періоду простою (коли прилад не використовувався) дайте приладу попрацювати щонайменше впродовж 2 годин при налаштуванні на більш високу температуру.
- Готуйте продукти невеликими партіями, щоб можна було їх швидко і повною мірою заморозити, а потім розморозити стільки, скільки потрібно.
- Загортайте продукти в алюмінієву фольгу або поліетиленову харчову плівку, яка не пропускає повітря.
- Не давайте незамороженим продуктам контактувати з уже замороженими, аби уникнути підвищення температури останніх.
- Заморожені продукти, якщо їх споживати відразу після того, як продукт був вийнятий з морозильника, можуть викликати холодний опік шкіри.
- Рекомендується маркувати та ставити дату на кожній упаковці заморожених продуктів, аби мати можливість відслідковувати час зберігання.



### Поради щодо зберігання заморожених продуктів

- Переконайтесь, що заморожені продукти зберігалися правильно в місці продажу
- Після розморожування продукти швидко псуються, і їх не можна заморожувати знову. Не можна зберігати продукти довше, ніж вказано компанією-виробником продуктів.

## 9. ЧИЩЕННЯ ТА ДОГЛЯД

З гігієнічних причин прилад (в тому числі корпус і внутрішні аксесуари) слід регулярно очищувати принаймні кожні два місяці.



#### УВАГА!

На час чищення прилад слід від'єднати від електромережі. Небезпека враження електричним струмом! Перед чищенням вимкніть прилад і витягніть вилку з розетки.

### 9.1 Чищення корпусу

Аби прилад мав гарний зовнішній вигляд, слід регулярно очищувати його.

- Протріть цифрову панель та дисплей чистою м'якою тканиною.
- Слід змочувати тканину для чищення, а не розбризкувати воду безпосередньо на поверхню приладу. Це допомагає забезпечити рівномірний розподіл вологи на поверхні.
- Очистіть поверхню дверцят, ручок та корпусу м'яким миючим засобом, а потім протріть насухо м'якою тканиною.



#### УВАГА!

- Не використовуйте гострі предмети, оскільки вони можуть подряпати поверхню.
- Не використовуйте для очищення розчинники, автомобільні миючі засоби, відбілювач, ефірну олію, абразивні очистники або органічні розчинники, такі як бензол. Вони можуть пошкодити поверхню приладу та спричинити пожежу.

### 8.3 Вимкнення приладу

Якщо прилад необхідно вимкнути на тривалий час, слід виконати наступні дії, аби уникнути виникнення плісняви у приладі.

1. Вийміть всі продукти.
2. Витягніть вилку з розетки.
3. Ретельно очистіть та витріть всередині приладу.
4. Подбайте, аби всі дверцята було зафіксовано у трохи відкритому положенні, щоб дозволити циркуляцію повітря.

### 9.2 Очищення внутрішньої камери

- Слід регулярно очищувати внутрішню камеру приладу. Її легше чистити, коли продуктів у приладі небагато. Протріть внутрішню камеру холодильника-морозильника слабким розчином соди, а потім промийте теплою водою, використовуючи віджатую губку або тканину. Повністю витріть, перш ніж встановлювати полиці та кошики на місце. Ретельно протріть насухо всі поверхні та знімні частини.
- Хоча прилад розморожується автоматично, всередині на стінках морозильної камери може утворюватися шар інію, якщо часто відкривати дверцята морозильника або залишати їх відчиненими протягом тривалого часу. Якщо шар інію надто товстий, виберіть час, коли продуктів небагато, і виконайте наступні дії.

1. Вийміть продукти та кошики, витягніть вилку із розетки та залиште дверцята відчиненими. Гарно провітрити приміщення, аби прискорити процес танення.
2. Після закінчення розморожування очистіть морозильник як описано вище.



#### УВАГА!

Не використовуйте гострі предмети для видалення льоду з морозильної камери. Прилад можна вмикати знову лише після того, як він повністю просохне всередині.

### 9.3 Чищення ущільнювача дверцят

Дбайте про чистоту ущільнювачів дверцят. Липкі продукти та напої можуть призвести до прилипання ущільнювача до корпусу та його розриву під час відкривання дверцят. Очищуйте ущільнювач дверцят м'яким миючим засобом і теплою водою. Потім ополосніть та ретельно висушіть.



#### УВАГА!

Лише після повного висихання ущільнювача дверцят можна знову вмикати прилад.



#### ПОПЕРЕДЖЕННЯ!

Заборонено самостійно замінювати світлодіодні лампи. У випадку пошкодження світлодіодних ламп зверніться по допомогу в службу обслуговування клієнтів.

## 10. УСУНЕННЯ НЕСПРАВНОСТЕЙ

У випадку виникнення проблеми з приладом або занепокоєнь з приводу того, що прилад не працює належним чином, можна виконати декілька простих перевірок перш, ніж телефонувати в сервісний центр. Перш ніж телефонувати в сервісний центр можна провести декілька простих перевірок відповідно до даного розділу.



#### ПОПЕРЕДЖЕННЯ!

Не намагайтеся відремонтувати прилад самостійно. Якщо проблема не зникає після проведення перевірок, зазначених нижче, зверніться до кваліфікованого електрика, авторизованого інженера з обслуговування або у магазин, де ви придбали продукт.

Проблема	Можлива причина та вирішення
Прилад працює неналежним чином	Перевірте, чи кабель живлення правильно підключений до розетки.
	Перевірте запобіжник або ланцюг електропостачання вашого будинку та у випадку необхідності відремонтуйте.
	Нормальним є те, що морозильник не працює протягом автоматичного циклу розморожування, або короткий час після увімкнення приладу для захисту компресора.
Неприємний запах всередині приладу	Потрібно очистити холодильник всередині.
	Деякі продукти, контейнер або упаковка спричиняють запахи.
Шум з приладу	Наведені нижче звуки є цілком нормальними: Шум при роботі компресора. <ul style="list-style-type: none"> <li>Шум руху повітря від невеликого вентилятора в морозильному відділенні або інших відділеннях.</li> <li>Звук клокотіння, подібного кипінню води.</li> <li>Плескання під час автоматичного розморожування.</li> <li>Клацання перед початком роботи компресора.</li> </ul>
	Інші незвичні шуми виникають з наведених нижче причин і можуть вимагати перевірки та певних дій: Корпус не вирівняний. Задня стінка приладу торкається стіни. Пляшки чи контейнери впали або качаються.

Мотор працює безперервно	<p>Частий звук мотора є нормальним явищем, він повинен працювати більше в наступних умовах.</p> <ul style="list-style-type: none"> <li>• Налаштування температури нижче, ніж потрібно.</li> <li>• Велика кількість теплих продуктів нещодавно була поставлена в прилад.</li> <li>• Температура за межами приладу надто висока.</li> <li>• Дверцята залишаються відкритими занадто довго.</li> <li>• Після встановлення приладу або його вимкнення протягом тривалого часу.</li> </ul>
Шар інію у відділенні	<p>Переконайтесь, що отвори не заблоковані продуктами, а також, що продукти розміщені в приладі таким чином, аби забезпечити достатню вентиляцію. Переконайтесь, що дверцята щільно закриті. Для видалення інію зверніться до розділу «Чищення та догляд».</p>
Температура всередині занадто висока	<p>Можливо, ви залишили дверцята відчиненими протягом досить тривалого часу або відкривали їх занадто часто; або дверцята залишались відкритими через якусь перешкоду; або недостатньо вільного простору від боків, верху чи низу приладу.</p>
Температура всередині занадто низька	<p>Підвищіть температуру, слідуючи вказівкам з розділу «Елементи керування дисплею».</p>
Дверцята не зачиняються легко	<p>Перевірте, чи нахилена верхня частина приладу назад на 10-15 мм, аби дозволити щільне закриття дверцят, або чи щось із середини не перешкоджає закриттю дверцят.</p>
Краплі води на підлозі	<p>Лоток для води (розташований в задній нижній частині корпусу), можливо, не вирівняний належним чином, або жолоб для зливання води (розташований під верхньою частиною компресорного відділення) не розташований належним чином для направлення води в цей лоток, або отвір для води заблокований. Можливо, потрібно відсунути холодильник від стіни, аби перевірити лоток та жолоб.</p>
Підсвітка не працює	<p>Світлодіодна лампа може бути пошкоджена. Зверніться до розділу «Заміна світлодіодних ламп» в главі «Чищення та догляд». Система управління відключила освітлення через те, що дверцята були відчинені занадто довго, закрийте дверцята та відкрийте їх знову для включення освітлення.</p>
Дверцята відчиняються із зусиллям.	<p>Перевірте стан ущільнювача дверцят. За необхідності очистіть гумовий ущільнювач по периметру дверцят за допомогою засобу для миття посуду та теплої води. Якщо дверцята прилипають до корпусу холодильника, то, скоріш за все, ущільнювач брудний.</p>

## 11. УТИЛІЗАЦІЯ ПРИЛАДУ

При виробництві даного холодильника використовувались матеріали багаторазового застосування. Утилізація даного приладу повинна здійснюватись у відповідності з правилами місцевого законодавства щодо утилізації відходів. В холодильному контурі приладу міститься невелика кількість холодоагенту (R600a). З метою забезпечення особистої безпеки ознайомтесь з інформацією, наведеною в розділі «Холодоагент і ризик займання»

цієї інструкції з експлуатації, перед утилізацією приладу. Обріжте кабель живлення приладу, аби вивести його з ладу, зніміть ущільнювач дверцят і замок. Система охолодження вимагає обережного поводження: намагайтесь не порушувати цілісність контейнера холодоагенту, не згинати трубки і не пошкоджувати покриття, нанесене на поверхню системи.

### Належна утилізація виробу



Символ на виробі або на упаковці означає, що цей виріб не підлягає утилізації як побутові відходи. Натомість його необхідно доставити у відповідний прийомний пункт для переробки електричного та електронного обладнання. Дотримуючись правил утилізації виробу, ви допоможете запобігти нанесенню потенційної шкоди довкіллю і здоров'ю людей, що може статися у разі неналежної утилізації цього виробу. За більш докладною інформацією про утилізацію цього виробу просимо звертатися до місцевих органів влади, служби вивезення та утилізації відходів або в магазин, у якому придбано цей виріб.

## 12. ТЕХНІЧНІ ДАНІ

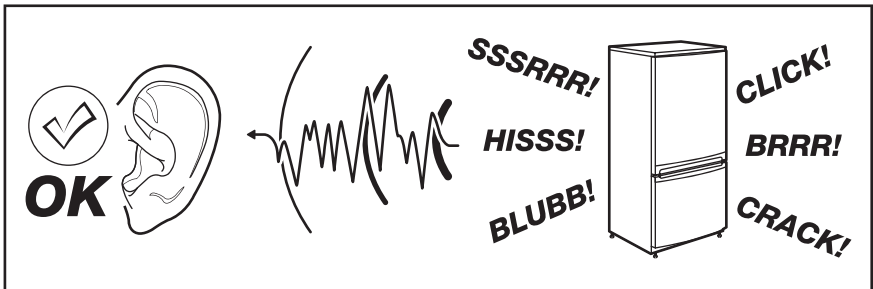
Розмір	
Висота	1766 мм
Ширина	912 мм
Товщина	765 мм
Час виходу в робочий режим	12 год
Напруга	220-240 В
Частота	50 Гц

Технічна інформація міститься на табличці, розташованій на

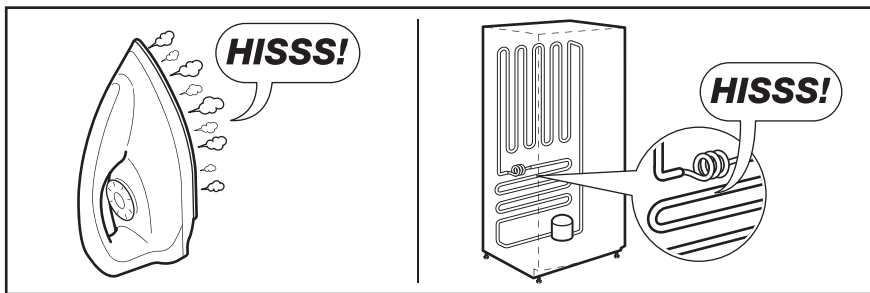
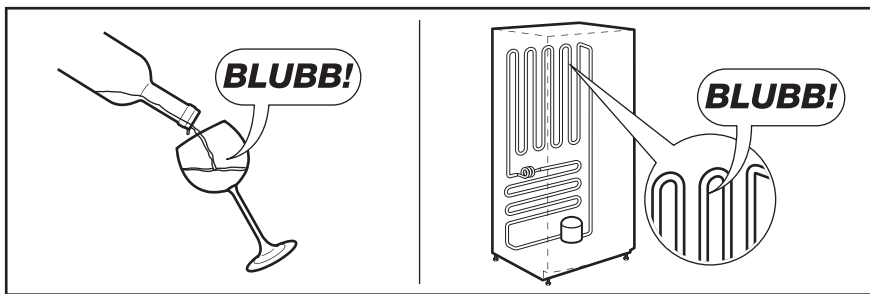
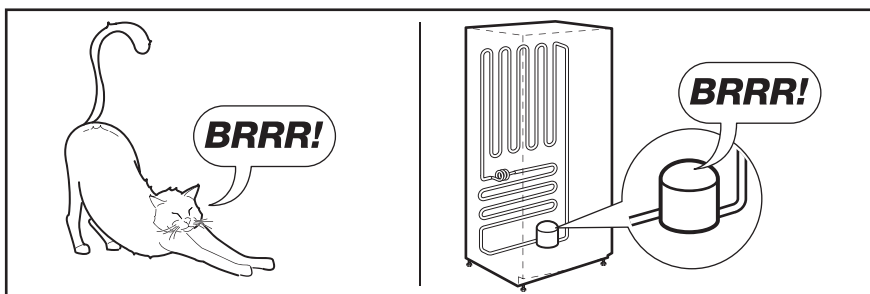
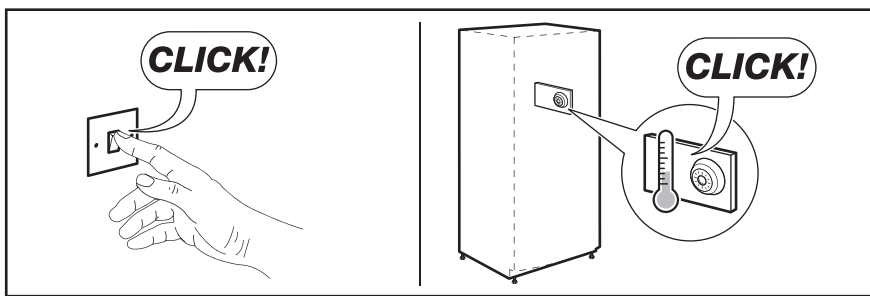
внутрішньому лівому боці приладу, і на ярлику енергоспоживання.

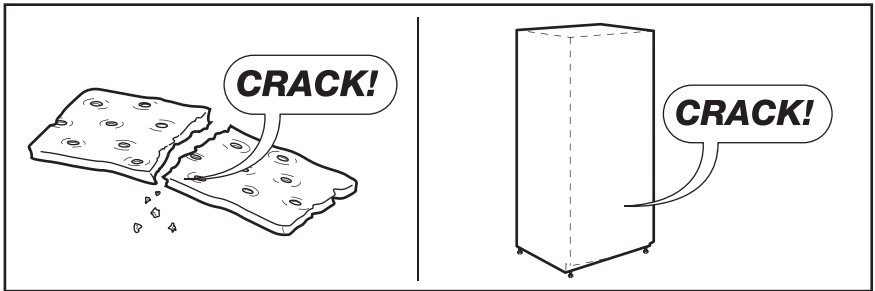
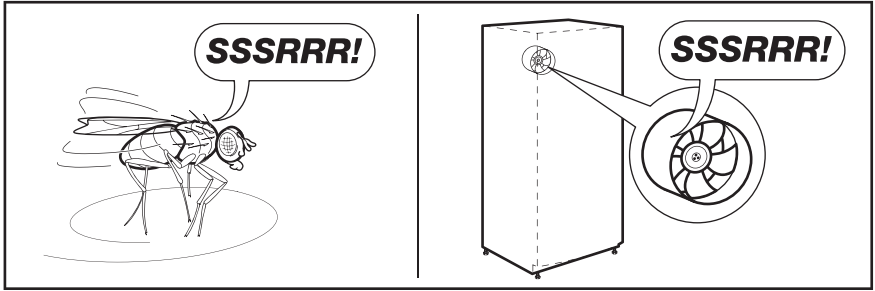
## 13. ШУМИ

Під час нормальної роботи приладу чути певні звуки (спричинені компресором або циркуляцією холодоагенту).











<b>Мікрофіша - Постанова від 7 серпня 2013 р. № 702, Додаток 3</b>	
Торгівельна марка	Electrolux
Назва моделі	EN6084J0X 925 993 138
Тип холодильного обладнання	Холодильник-морозильник
Клас енергоефективності	A+
Річне споживання електроенергп, заокруглене до найближчого цілого значення, кВт -г/рік	410
Ємність камер холодильного приладу, в літрах	Холодильна камера= 417; Морозильна камера =119
Перелік камер даного приладу, які оснащені функцією No Frost	Холодильна та морозильна камери
Час автономної роботи приладу при раптовому припиненні енергопостачання, в годинах	12
Потужність заморожування, кг	10
Кліматичний клас приладу	SN - T
Рівень акустичного шуму під час роботи, дБ	43
Установка приладу (вбудований або окремостоячий)	окремостоячий





[electrolux.com/shop](http://electrolux.com/shop)



ERC CE

