

Installation and Operation Pages 2-8

AT-LP60-BT

Tourne-disque sans fil

Installation et utilisation Pages 9-15

AT-LP60-BT

Kabelloser Plattenspieler

Installation und Betrieb Seiten 16-22

AT-LP60-BT

Giradischi wireless

Installazione e funzionamento - Pagine 23-29

AT-LP60-BT

Tocadiscos inalámbrico

Instalación y funcionamiento Páginas 30-36

AT-LP60-BT

Vitrola Sem Fio

Instalação e Operação Páginas 37-43

AT-LP60-BT

Беспроводной проигрыватель грампластинок

Установка и эксплуатация Стр. 44-50

Wireless Turntable

Introduction

Thank you for purchasing the AT-LP60-BT wireless turntable. Audio-Technica has been a leading manufacturer of innovative stereo phonograph products for more than 50 years. We are pleased to provide this turntable, with its excellent performance and many convenient features, for your enjoyment.

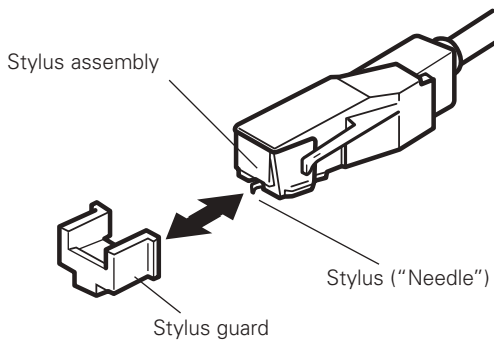
The AT-LP60-BT wireless turntable features:

- Fully automatic operation
- Two speeds: 33 $\frac{1}{3}$ RPM and 45 RPM
- Professional aluminum turntable platter
- Integral Audio-Technica Dual Moving Magnet™ phono cartridge with replaceable diamond stylus
- Built-in *Bluetooth* transmitter function. Permits use of turntable with wireless speakers, headphones and other devices with *Bluetooth*® wireless technology.
- Built-in switchable stereo phono/line level pre-amplifier. Permits use of turntable with stereo systems having either magnetic-phono inputs or "AUX" (line-level) inputs; also allows convenient use of turntable with most powered speakers
- Damped lift/cueing mechanism with front-panel control
- Removable dust cover

To assure maximum satisfaction from this product, please read the information and follow the instructions presented in this manual. Please keep the manual in an accessible location for future reference.

We suggest that you save all packaging materials for possible future storage, moving or shipping.

CAUTION: To avoid stylus damage, make certain the included stylus guard is in place whenever the turntable is being installed, moved or cleaned.



Important information

Warning:

- To prevent fire or shock hazard, do not expose this apparatus to rain or moisture.

Caution:

- Do not expose this apparatus to drips or splashes.
- To avoid electric shock, do not open the cabinet.
- Refer servicing to qualified personnel only.
- Do not expose this apparatus to excessive heat such as sunshine, fire or the like.
- Do not subject this apparatus to strong impact.
- This apparatus should be located close enough to the AC outlet so that you can easily grasp the power cord plug at any time.
- In case of emergency, disconnect the power cord plug of this apparatus quickly.
- Do not place any objects filled with liquids, such as vases, on this apparatus.
- To prevent fire, do not place ANY naked flame sources (such as lighted candles) on this apparatus.
- Do not install this apparatus in a confined space such as a bookcase or similar unit.
- To install this apparatus only in the place where ventilation is good.
- To prevent fire, do not cover the ventilation of this apparatus with newspapers, table-clothes, curtains, etc.

Reference:

- Disconnect this product from the computer if you encounter any malfunction like noise, smoke, smell, heat or damage with the product. In such case, contact your local Audio-Technica dealer.
- Do not use the turntable within 22 cm of where a cardiac pacemaker is installed. Pacemakers may be affected by radio waves of the turntable.
- Do not use the turntable near medical equipment. Radio waves may affect cardiac pacemakers and medical electronic equipment. Do not use the product inside medical facilities.
- Do not use the turntable near automatic control devices such as automatic doors and fire alarms. Radio waves may affect electronic equipment and cause accidents due to malfunction.

Simultaneous use with other devices

Failure, such as the interruption of sound, may be caused by radio wave interference from devices that use the same frequency band (2.4GHz) as the turntable, including devices with *Bluetooth* wireless technology, devices using wireless LAN, digital cordless phones and microwaves. Similarly, because radio waves of the turntable may affect these devices, take the following precautions:

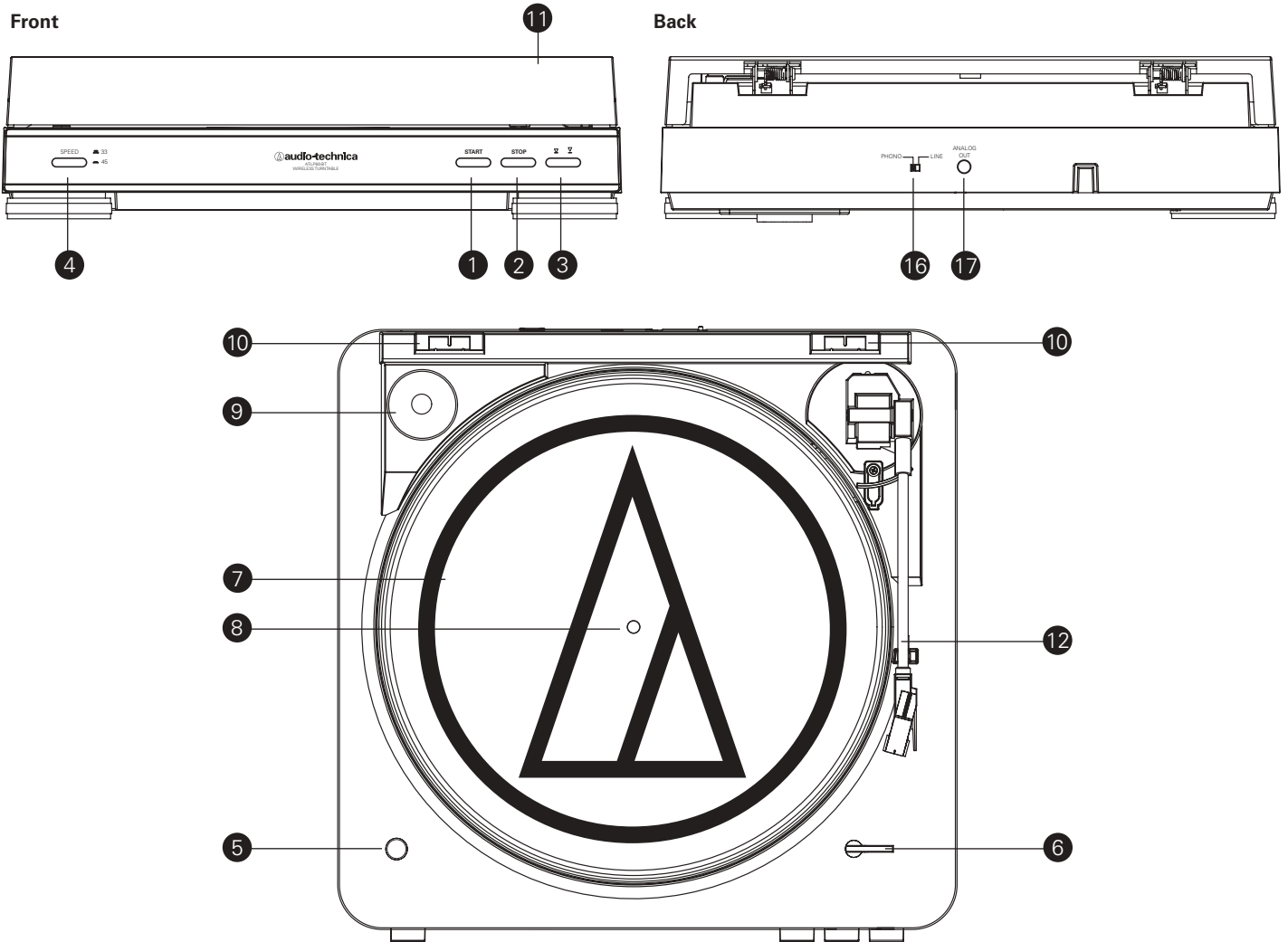
- Install the devices using the same frequency band (2.4GHz) away from the turntable.

Instructions for Use

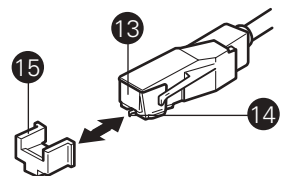
Any device which is connected to the turntable needs to meet the *Bluetooth* standards established by Bluetooth SIG and be certified. Even if the device meets the *Bluetooth* standards, it might not connect to the turntable or the operation method and behavior may differ depending on the device's characteristics and specification.

Main Features

Figure 1



- ① **START BUTTON**
Engages the motor/platter and begins automatic operation.
- ② **STOP BUTTON**
Disengages the motor/platter and returns tone arm to rest.
- ③ **TONE ARM LIFT BUTTON**
Lifts and lowers tone arm for manual selection.
- ④ **PLATTER SPEED BUTTON**
Select 33 RPM (button in high position) or 45 RPM (button in low position) platter speed.
- ⑤ **WIRELESS FUNCTION BUTTON (with Indicator LED)**
Use to perform initial pairing with a *Bluetooth* receiver device (speakers, headphones, receiver, sound bar, et al.) and to start/stop wireless signal transmission.
- ⑥ **SIZE SELECTOR**
Select the size of the record: 12" or 7".
- ⑦ **PLATTER**
Aluminum platter mounts directly to center spindle/motor shaft.
* Illustration shows platter with turntable mat placed on top of it.
- ⑧ **CENTER SPINDLE**
Centering pin for record positioning.
- ⑨ **45-RPM ADAPTER (shown in receptacle)**
Adapts 7" records with large center holes to fit center spindle.
- ⑩ **DUST COVER HINGE HOLDERS**
Attachment points for removable hinged dust cover.
- ⑪ **DUST COVER**
- ⑫ **TONE ARM/HEADSHELL ASSEMBLY**
Tone arm is permanently attached to the headshell assembly.
- ⑬ **STYLUS ASSEMBLY**
- ⑭ **STYLUS ("NEEDLE")**
- ⑮ **STYLUS GUARD**
- ⑯ **PRE-AMPLIFIER SELECTOR SWITCH (PHONO/LINE)**
(On back of turntable) Use PHONO setting when you connect to the phono input on your home stereo via output cable. Use the LINE level when you connect to CD/TAPE/AUX inputs of your home stereo via output cable.
- ⑰ **ANALOG OUT**
Use this output to connect to your home stereo or powered speakers via the included 3.5 mm stereo mini-plug to dual RCA output cable.



Initial Setup

Assembling the Turntable

The AT-LP60-BT requires some assembly before first use.
IMPORTANT: Do not connect the AC power cable until assembly is complete.

- Carefully place the turntable platter on the center spindle, making certain the platter is fully seated on the spindle.
- While holding both ends of the red tape ribbon on the turntable belt, carefully pull the belt over the brass motor pulley (Fig. 2a). (If the belt drops off, remove the turntable platter and put the belt back on it, as described on page 7.)
- Once the belt is seated in the pulley's groove, carefully remove the ribbon. Make certain the belt is not twisted.
(NOTE: If the belt is not correctly positioned around the motor pulley, the turntable will not operate. Please double-check to make sure that the belt is positioned correctly.)
- Place the turntable mat on top of the turntable platter (Fig. 2b).
- If desired, the hinged dust cover may be removed. Hold both sides of the dust cover and pull upward **gently and evenly** to detach the cover from the turntable (Fig. 2c). Keep the cover in a safe, clean place.
- To re-install the dust cover, guide the dust cover hinges into the two hinge receptacles located at the back of the turntable housing.

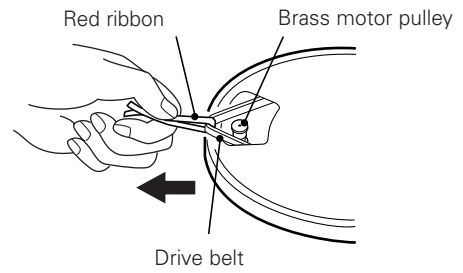
Setting the Pre-amplifier Selector Switch (PHONO/LINE)

For increased flexibility of use, this turntable has an internal stereo phono pre-amplifier. The pre-amplifier selector switch (PHONO/LINE) switch is located on the back of the turntable. If the stereo system you are using has a PHONO input, set the pre-amplifier selector switch to the "PHONO" position. If your stereo system does not have a PHONO input, set the pre-amplifier selector switch to the "LINE" position and connect the turntable's output cables to the AUX or other high-level input on your stereo system (described later) (Fig. 3).

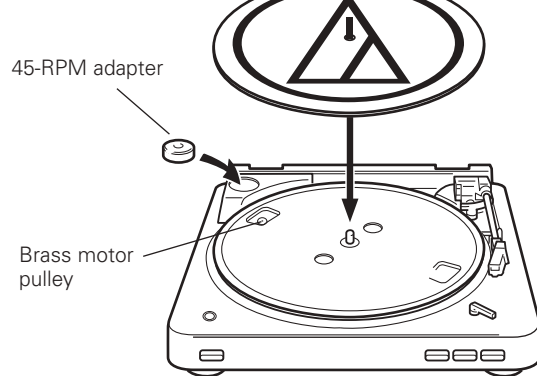
The pre-amplifier selector switch does not affect wireless connection. You can leave the switch in either position when connecting the turntable to a *Bluetooth* receiver device.

Figure 2 – Assembling the turntable

2a – Drive belt



2b – Record mat



2c – Dust cover removal

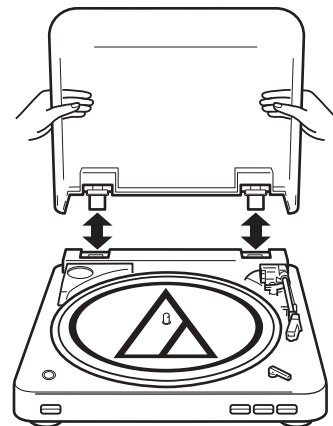
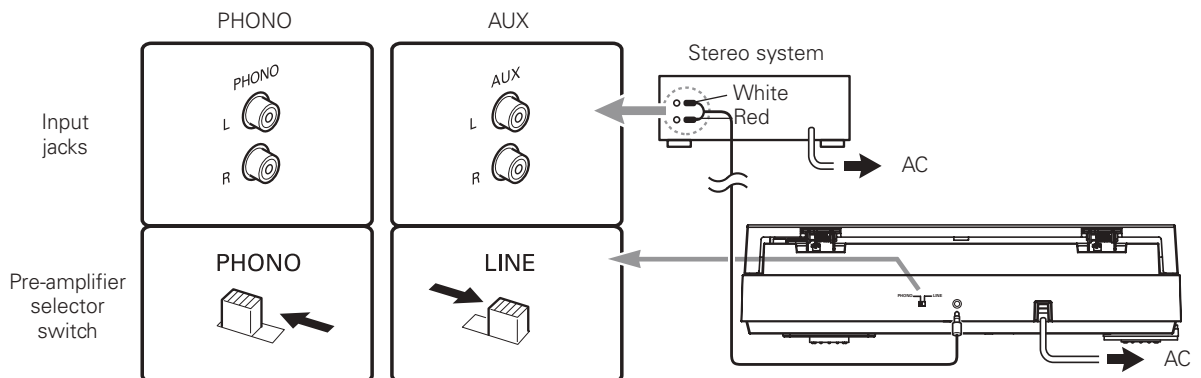


Figure 3



Operation (continued)

Caution: When the tone arm reaches the end of the record, it will lift and return to the tone arm rest automatically. When this happens, **do not interfere with the tone arm's motion, or damage to the mechanism may occur.**

If the tone arm does not return automatically to the tone arm rest after the record has finished playing, simply press the STOP button to complete operation.

Manual Operation

1. Remove the stylus guard from the stylus assembly (Fig. 4).
2. Put a record on the turntable. If needed, use the 45 RPM adapter (Fig. 5).
3. Select the size of record: 12" or 7" (Fig. 6).
4. Select the speed: 33 $\frac{1}{3}$ RPM or 45 RPM (Fig. 7).
5. Press the Lift button in to raise the tone arm (Fig. 8c).
6. Gently move the tone arm so the stylus is over the point on the record where play is desired to begin.
7. Press the Lift button again to gently lower the tone arm and play record.

Figure 6

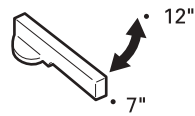


Figure 7

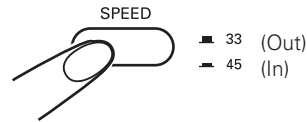
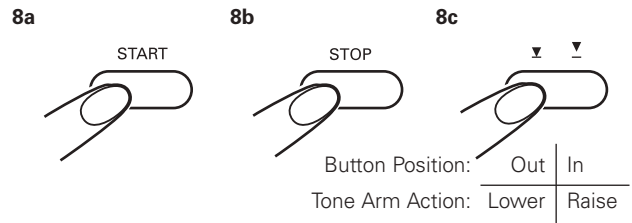


Figure 8



Replacing the Stylus

While holding the head of the tone arm, rotate the front of the stylus assembly in a forward and down motion to remove it (Fig. 9). (As you remove the old assembly, note its position and "feel," to aid in properly installing the new one.)

Install the new stylus assembly as shown in Figures 10a/10b, being careful not to touch the actual stylus. Make certain that the projection at the back of the assembly is fully seated in the cartridge body **first** (Fig. 10a), and that the assembly "clicks" up into place, with no gap between its top edge and the front of the black plastic tone arm head (Fig. 10b). Replace the stylus after 400 hours of use.

To maintain original performance, insist upon a genuine Audio-Technica brand replacement stylus. Look for the Audio-Technica trademark (Ⓐ) on the front of the stylus assembly and on the packaging.

Figure 9 – Removing the stylus

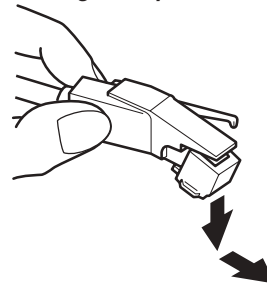
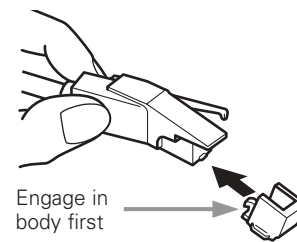
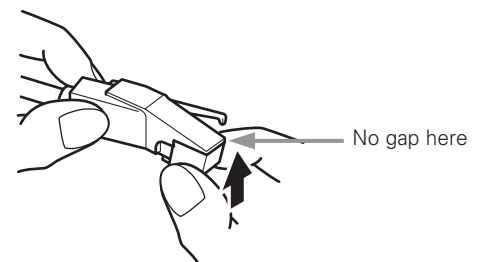


Figure 10 – Installing a new stylus

10a



10b



Troubleshooting

Turntable does not operate

1. Make certain the turntable's AC cable is plugged into an AC outlet, and that the AC outlet is "live."
2. Check the drive belt to make certain it is on correctly. (See Fig. 11.)
 - A) Remove the record mat from the turntable platter (Fig. 11a). Place the mat in the cardboard packaging sleeve for safekeeping. Through an opening in the turntable platter, visually inspect to see if the drive belt is around the brass motor pulley (Fig. 11b).
 - (NOTE: If the belt is not correctly positioned around the brass motor pulley, the turntable will not operate. Please double-check to make sure that the belt is positioned correctly.)**
 - B) If the drive belt is not around the brass motor pulley: Lift and remove the turntable platter. Place a thumb into each of the left and right openings on the turntable platter; and, using the fingers to press down on the turntable housing's surface, pull the platter **straight up** (Fig. 11c). Avoid pressing on the tone arm.
 - C) With the turntable platter bottom side up, place the belt along the outside wall of the turntable platter's drive rim, making certain that the belt is smooth and flat all the way around (Fig. 11d).
 - D) Put the turntable platter back on the center spindle, make certain it is fully seated, and align one of its openings over the brass motor pulley position.
 - E) Through the opening, carefully hook the turntable belt with a finger or with the original red ribbon (**never** use a sharp object) and pull the belt over the brass motor pulley (Fig. 11e). Make certain the belt is not twisted between the pulley and the platter's drive rim.
 - F) Put the record mat back on the platter.
 - G) While holding the tone arm in its rest position, slowly turn the platter by hand clockwise at least 10 rotations to clear the mechanism's automatic cycle.

Turntable operates, but no sound at all

1. The stylus guard is still in place.
2. The tone arm lift button is pressed in.
3. Amplifier controls set incorrectly: wrong input selected, tape monitor on, speakers switched off, etc.
4. Check the stylus on phono cartridge for correct placement. Refer to the instructions for replacing the stylus on page 6.
5. If connected to a *Bluetooth* device, make sure the wireless connection has been performed correctly. (See page 5.)

Turntable operates, but no sound, or sound not loud enough

1. If the turntable is connected to an AUX (high-level) input: The pre-amplifier selector switch may be set to the "PHONO" position (phono-input level). Move switch to the "LINE" position.
2. The input gain of the amplified speaker or similar device may be too low.
3. The stylus assembly may not be fully seated in the cartridge body. (See Fig. 10 on page 6.)

Sound is very distorted

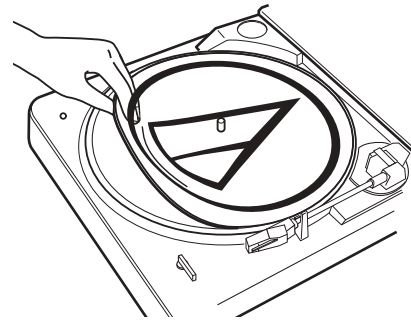
1. Turntable connected to an amplifier's PHONO input: If the pre-amplifier selector switch is set to the "LINE" position (AUX high-level output), a phono input will be overloaded.

Record/Tone Arm moves slightly up and down

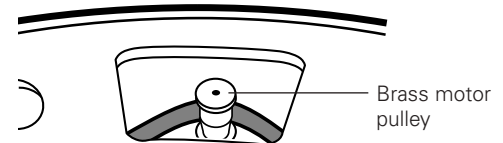
1. Usually this is a normal condition and not a problem. If this causes the turntable to be unable to track the record, please contact your dealer or our service department. **Ensure the surface upon which the turntable is resting is not picking up vibrations from the floor or walls, or from direct speaker sound.**

Figure 11 – Checking the drive belt

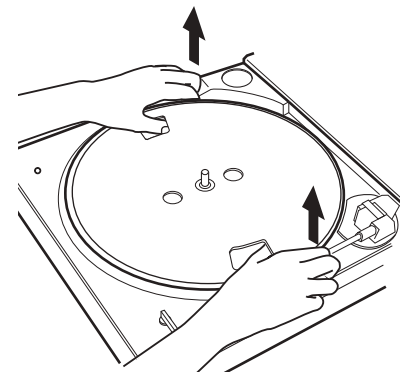
11a



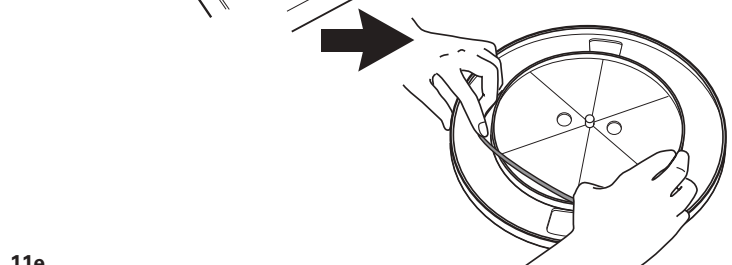
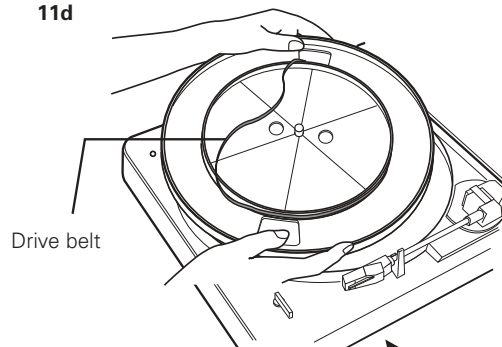
11b



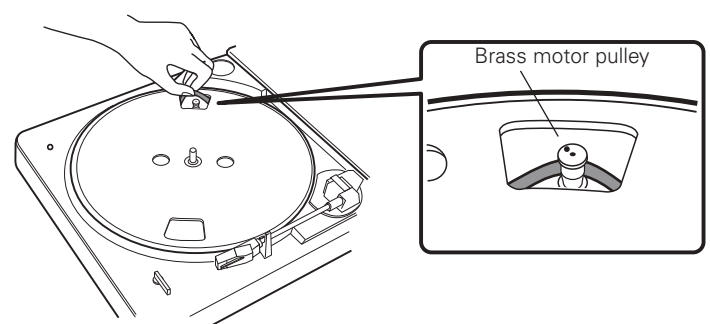
11c



11d



11e



Specifications

Tips For Better Performance

- When opening or closing the turntable cover, handle it gently, moving it either at the center or equally from both sides.
- Do not touch the stylus tip with your fingers; avoid bumping the stylus on the turntable mat or a record's edge.
- Clean the stylus tip frequently, using a soft brush **with a back-to-front motion only**.
- If you use a stylus cleaning fluid, use it **very sparingly**.
- Wipe the dust cover and turntable housing gently with a soft cloth. Use only a small amount of mild detergent solution to clean the turntable and dust cover.
- Never apply harsh chemicals or solvents to any part of the turntable system.
- Prior to moving the turntable, always unplug it from the AC outlet and fasten the tone arm on the tone arm rest with the vinyl twist-tie.

Specifications

Communication system	Bluetooth Ver. 3.0
Output	Bluetooth Specification Power Class 2
Maximum communication range	Line of sight - approx. 10m
Compatible Bluetooth profile	A2DP
Support codec	SBC
Type	Belt drive turntable, fully automatic
Platter	Aluminum
Motor	DC servo-controlled
Speeds	33 ¹ / ₃ RPM, 45 RPM
Wow and flutter	Less than 0.25% (WTD) @ 3 kHz (JIS)
Signal-to-noise ratio	>50 dB (DIN-B)
Cartridge	Integral Dual Moving Magnet™ stereo cartridge with diamond stylus
Output level	
Pre-amplifier "PHONO"	2.5 mV nominal at 1 kHz, 5 cm/sec
Pre-amplifier "LINE"	150 mV nominal at 1 kHz, 5 cm/sec
Phono pre-amplifier gain	36 dB nominal, RIAA equalized
Power	220 to 240V AC, 50/60 Hz, 3W (Europe)
Dimensions	360.0 mm (14.17") W x 97.5 mm (3.84") H x 356.0 mm (14.2") D
Net weight	2.98 kg (6.6lbs.)
Accessories	3.5 mm (1/8") mini-plug (male) to dual RCA (male) stereo output cable, 45 RPM adapter, Removable hinged dust cover
Replacement stylus	ATN3600L

- The *Bluetooth* word mark and logos are owned by the Bluetooth SIG, Inc. and any use of such marks by Audio-Technica Corporation is under license. All other trademarks are property of their respective owners.
- For product improvement, the product is subject to modification without notice.

Tourne-disque sans fil

Introduction

Merci d'avoir acheté le tourne-disque sans fil AT-LP60-BT. Audio-Technica est depuis plus de 50 ans un leader et un novateur dans la construction de produits phonographiques stéréo. Nous sommes fiers de vous proposer ce tourne-disque qui présente d'excellentes performances et des caractéristiques pratiques pour une utilisation agréable.

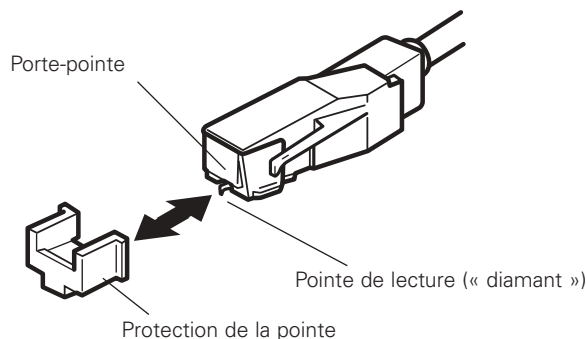
Caractéristiques du tourne-disque sans fil AT-LP60-BT :

- Fonctionnement entièrement automatique
- Deux vitesses : 33 $\frac{1}{3}$ tr/min et 45 tr/min
- Plateau en aluminium de qualité professionnelle
- Cellule phono Audio-Technica Integral Dual Moving Magnet™ avec diamant de lecture remplaçable
- Fonction d'émetteur *Bluetooth* intégrée. Le tourne-disque peut ainsi être utilisé avec des haut-parleurs, des écouteurs sans fil et d'autres périphériques avec la technologie sans fil *Bluetooth*®.
- Préamplificateur stéréo commutable phono/ligne intégré. Le tourne-disque peut ainsi être utilisé avec des systèmes stéréo disposant de sorties magnétique-phono ou « AUX » (ligne) ; emploi aisé avec la plupart des enceintes
- Mécanisme de levage/de repérage amorti avec commande sur le panneau avant
- Couvercle anti-poussière amovible

Pour utiliser ce produit à votre meilleure satisfaction, lisez les informations et suivez les instructions données dans ce manuel. Gardez le manuel à un endroit accessible pour pouvoir le consulter aisément lorsque vous en aurez besoin.

Nous vous recommandons de garder tous les emballages pour entreposer, déplacer ou transporter l'appareil au besoin.

ATTENTION : Pour éviter les risques de dommage à la pointe de lecture, veillez à ce que la protection fournie soit en place lorsque vous installez, déplacez ou nettoyez le tourne-disque.



Informations importantes

Avertissement:

- Pour éviter tout risque de choc électrique ou d'incendie, n'exposez pas cet appareil à la pluie ou à l'humidité.

Mise en garde:

- Protégez cet appareil des projections et des gouttes d'eau.
- Pour éviter tout risque de choc électrique, n'ouvrez pas le boîtier.
- Confiez tous travaux d'entretien à un technicien qualifié.
- N'exposez pas cet équipement à des températures excessives, telles que celles de la lumière directe du soleil, d'une flamme ou autres.
- Ne soumettez pas cet équipement à de forts impacts.
- Placez l'appareil à proximité d'une prise de courant pour une utilisation aisée du cordon d'alimentation.
- En cas d'urgence, déconnectez immédiatement la prise du cordon d'alimentation de l'appareil.
- Ne placez pas d'objets remplis de liquides, tels que des vases, sur l'appareil.
- Pour éviter tous risques d'incendie, ne placez pas de flammes nues (telles que des bougies allumées) sur l'appareil.
- N'installez pas cet appareil dans un espace confiné tel qu'une étagère ou un endroit similaire.
- Installez cet appareil uniquement dans des endroits avec une bonne ventilation.

Référence :

- Débranchez ce produit de l'ordinateur si vous notez un dysfonctionnement tel qu'un bruit, de la fumée, une odeur, de la chaleur ou un dommage sur le produit. Dans ce cas, contactez votre revendeur Audio-Technica le plus proche.
- N'utilisez pas le tourne-disque à moins de 22 cm de l'endroit où un pacemaker est implanté. Les pacemakers peuvent être affectés par les ondes radio du tourne-disque.
- N'utilisez pas le tourne-disque à proximité d'un équipement médical. Les ondes radio peuvent affecter les pacemakers et les appareils médicaux électroniques. N'utilisez pas l'appareil à l'intérieur d'établissements médicaux.
- N'utilisez pas le tourne-disque à proximité de dispositifs de contrôle automatique comme des portes automatiques ou des alarmes incendie. Les ondes radio peuvent affecter les appareils électroniques et causer des accidents dus à des dysfonctionnements.

Utilisation simultanée avec d'autres dispositifs

Des défaillances, comme l'interruption du son, peuvent être causées par des interférences radio de dispositifs qui utilisent la même bande de fréquence (2,4 GHz) que le tourne-disque, notamment des dispositifs avec la technologie sans fil *Bluetooth*, des dispositifs qui utilisent le LAN sans fil, des téléphones sans fil numériques et des micro-ondes. De même, étant donné que les ondes radio du tourne-disque peuvent affecter ces dispositifs, prenez les précautions suivantes :

- Installez les dispositifs utilisant la même bande de fréquence (2,4 GHz) loin du tourne-disque.

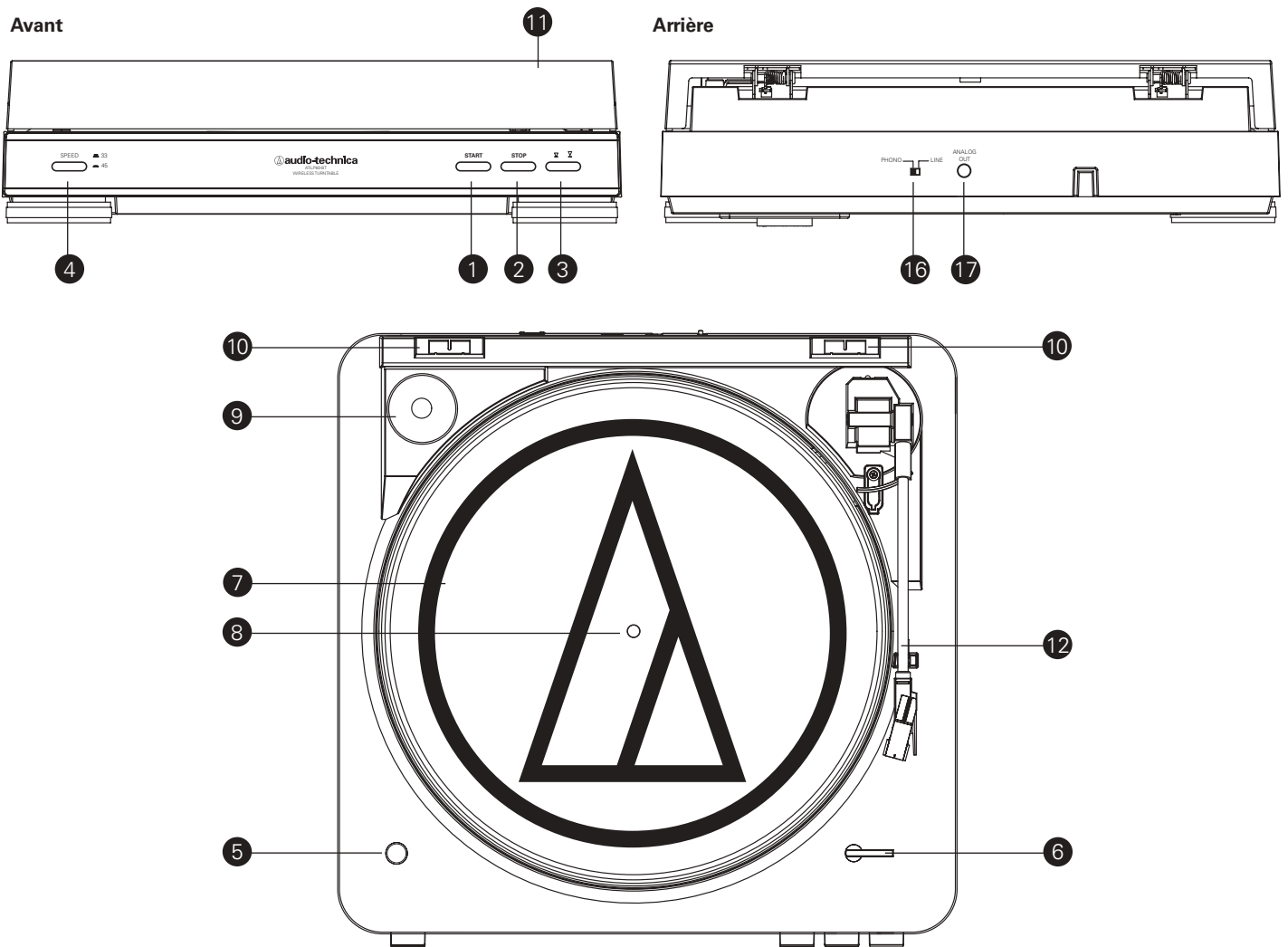
Instructions d'utilisation

Tout dispositif connecté au tourne-disque doit respecter les normes *Bluetooth* établies par Bluetooth SIG et doit être certifié.

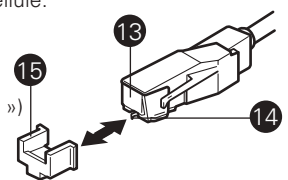
Même si le dispositif respecte les normes *Bluetooth*, il est possible qu'il ne se connecte pas au tourne-disque ou que sa méthode de fonctionnement et son comportement varient selon ses caractéristiques et ses spécifications.

Principaux éléments

Figure 1



- 1** BOUTON DE DÉMARRAGE
Met en marche le moteur/la platine et lance le fonctionnement en mode automatique.
- 2** BOUTON D'ARRÊT
Arrête le moteur/la platine et fait revenir le bras de lecture à la position de repos.
- 3** BOUTON DE LEVAGE DU BRAS DE LECTURE
Lève et abaisse le bras de lecture en mode de sélection manuelle.
- 4** SÉLECTEUR DE VITESSE DE ROTATION DE LA PLATINE
Sélectionne une vitesse de rotation de 33 tr/min (bouton en position haute) ou de 45 tr/min (bouton en position basse).
- 5** BOUTON DE FONCTION SANS FIL (avec indicateur LED)
Utilisé pour réaliser l'appairage initial avec un dispositif récepteur *Bluetooth* (haut-parleurs, écouteurs, récepteur, barre audio, etc.) et pour démarrer/arrêter la transmission de signal sans fil.
- 6** SÉLECTEUR DE TAILLE
Pour sélectionner la taille du disque : 30 cm (12") ou 17 cm (7").
- 7** PLATEAU
Plateau en aluminium monté directement sur l'axe moteur.
* L'illustration montre le plateau avec le tapis du tourne-disque placé dessus.
- 8** AXE CENTRAL
Pièce de centrage pour positionnement du disque.
- 9** ADAPTATEUR 45 TR/MIN
(placé dans son logement sur l'illustration)
Pour maintenir autour de l'axe central les disques de 17 cm à trou large.
- 10** SUPPORTS DE CHARNIÈRE DU COUVERCLE ANTI-POUSSIÈRE
Points de fixation des charnières du couvercle anti-poussière.
- 11** COUVERCLE ANTI-POUSSIÈRE
- 12** ENSEMBLE BRAS DE LECTURE/CELLULE
Bras de lecture solidaire du porte-cellule.
- 13** PORTE-POINTE
- 14** POINTE DE LECTURE (« DIAMANT »)
- 15** PROTECTION DE LA POINTE
- 16** SÉLECTEUR DE PRÉAMPLIFICATION (PHONO/LIGNE)
(A l'arrière du tourne-disque) Utilisez le réglage PHONO lorsque vous connectez le tourne-disque sur l'entrée phono de votre chaîne stéréo via le câble de sortie. Réglez le sélecteur sur LINE lorsque vous connectez le tourne-disque aux entrées CD/TAPE/AUX de votre chaîne stéréo via le câble de sortie.
- 17** ANALOG OUT
Utilisez cette sortie pour la connexion de votre chaîne stéréo ou de vos haut-parleurs à alimentation autonome via le mini-jack stéréo 3,5 mm à votre câble de sortie RCA.



Configuration initiale

Assemblage du tourne-disque

Vous devez assembler certains éléments du tourne-disque AT-LP60-BT avant de pouvoir vous servir de ce dernier. **IMPORTANT** : Ne branchez pas le câble d'alimentation CA avant d'avoir terminé l'assemblage.

1. Placez avec précaution le plateau sur l'axe central ; assurez-vous qu'il soit placé correctement sur l'axe.
2. Prenez les deux extrémités de la languette rouge et tirez avec précaution sur la courroie pour la mettre en place par-dessus la poulie en laiton du moteur (fig. 2a). (Si la courroie tombe, retirez le plateau et remettez la courroie en place comme décrit à la page 14.)
3. Une fois la courroie placée dans la rainure de la poulie, retirez avec précaution la languette de mise en place. Vérifiez que la courroie n'est pas tordue.

(REMARQUE: Si la courroie n'est pas placée correctement autour de la poulie du moteur, le tourne-disque ne fonctionnera pas. Veuillez vérifier soigneusement que la courroie est correctement placée.)

4. Placez le tapis du tourne-disque sur la face supérieure du plateau du tourne-disque (fig. 2b).
5. Retirez le couvercle anti-poussière si vous le souhaitez. Pour détacher le couvercle anti-poussière du tourne-disque, prenez le couvercle des deux côtés et tirez-le vers le haut, **sans forcer et en exerçant une force égale de part et d'autre** (fig. 2c). Conservez le couvercle à l'abri dans un endroit propre.
6. Pour remettre en place le couvercle anti-poussière, guidez et insérez les charnières du couvercle dans les deux logements situés à l'arrière du boîtier du tourne-disque.

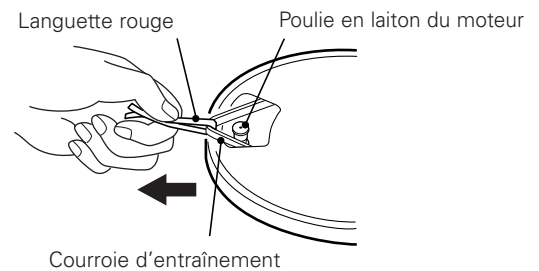
Réglage du sélecteur de préamplification (PHONO/LINE)

Pour une plus grande souplesse d'utilisation, le tourne-disque est muni d'un préamplificateur stéréo phono interne. Le sélecteur de préamplification (PHONO/LINE) est situé à l'arrière du tourne-disque. Si votre chaîne stéréo possède une entrée PHONO, réglez le sélecteur de préamplification sur « PHONO ». Si votre chaîne ne possède pas d'entrée PHONO, réglez le sélecteur sur « LINE » (Ligne) et connectez les câbles de sortie du tourne-disque à l'entrée AUX ou à une autre entrée à niveau élevé de la chaîne (voir plus bas) (fig. 3).

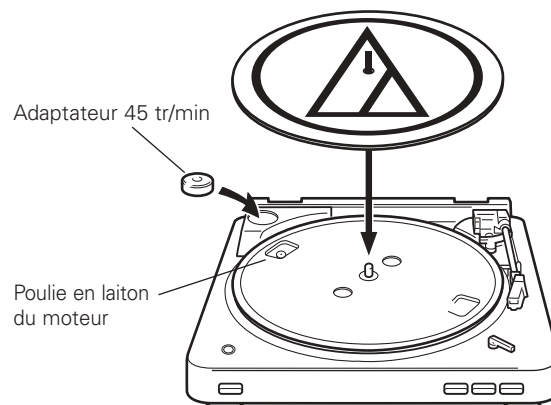
Le sélecteur de préamplification n'a pas d'incidence sur la connexion sans fil. Vous pouvez laisser le sélecteur dans chaque position lorsque vous connectez le tourne-disque à un dispositif récepteur *Bluetooth*.

Figure 2 – Assemblage du tourne-disque

2a – Courroie d'entraînement



2b – Tapis antidérapant



2c – Retrait du couvercle anti-poussière

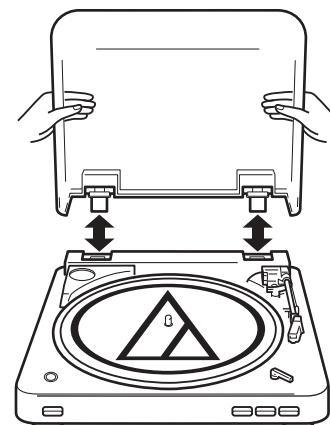
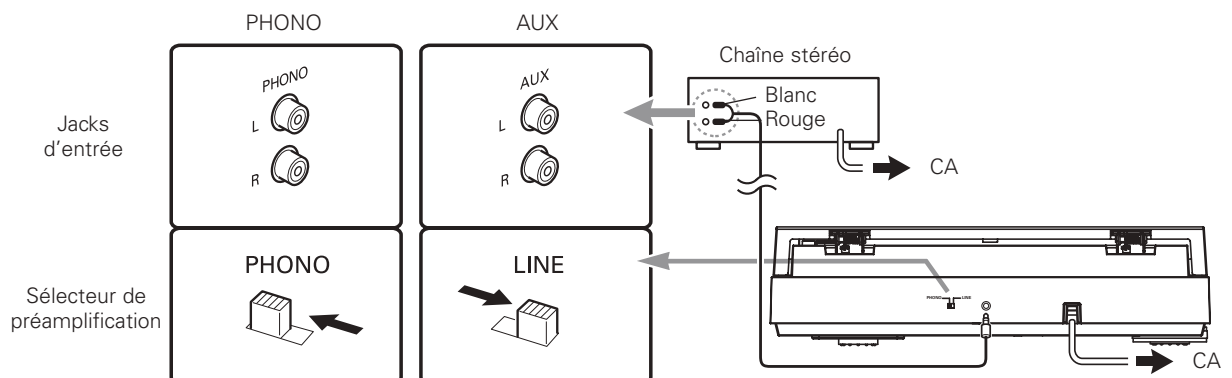


Figure 3



Attention : Lorsque le bras de lecture arrive à la fin du disque, le levage du bras et son retour sur le support sont commandés par le mécanisme automatique. Lors de cette opération, **ne tentez pas d'agir sur le mouvement du bras de lecture, au risque d'endommager le mécanisme.**

Si le bras de lecture ne revient pas automatiquement sur son support après la lecture d'un disque, il suffit d'appuyer sur le bouton Arrêt pour lever et ramener le bras.

Utilisation en mode manuel

1. Retirez la protection de la pointe de lecture (fig. 4).
2. Placez un disque sur le plateau. Si nécessaire, utilisez l'adaptateur 45 tr/min (fig. 5).
3. Sélectionnez la taille du disque, 30 cm (12") ou 17 cm (7") (fig. 6).
4. Sélectionnez la vitesse : 33 1/3 tr/min ou 45 tr/min (fig. 7).
5. Pour lever le bras de lecture, appuyez sur le bouton de levage pour l'enfoncer (fig. 8c).
6. Sans forcer, déplacez le bras de lecture de façon à ce que la pointe de lecture se trouve au-dessus de l'endroit du disque où vous souhaitez commencer la lecture.
7. Appuyez à nouveau sur le bouton de levage pour abaisser le bras et commencer la lecture du disque.

Figure 6

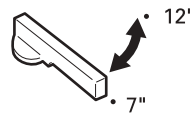


Figure 7

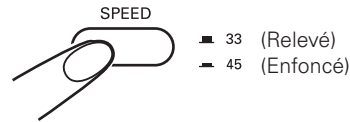


Figure 8

8a 8b 8c

Position du bouton :	BOUTON SORTI	BOUTON ENFONCÉ
Action du bras de lecture :	S'ABAISSÉ	SE RELÈVE

Remplacement de la pointe de lecture

En tenant la tête du bras de lecture, abaissez le porte-pointe et tirez dessus pour l'extraire (fig. 9). (En retirant le porte-pointe, observez sa position et sentez-la des doigts de façon à pouvoir remettre plus facilement en place la nouvelle pointe.)

Installez la nouvelle pointe de lecture et son porte-pointe comme illustré aux fig. 10a/10b, en veillant à ne pas toucher la pointe de lecture des doigts. Veillez **d'abord** à ce que la saillie à l'arrière du porte-pointe soit bien engagée dans la cellule (fig. 10a) ; ensuite, relevez le porte-pointe et assurez-vous qu'il s'enclique en place, sans interstice entre le bord supérieur et l'avant de la tête en plastique noir du bras de lecture (fig. 10b). Remplacez la pointe de lecture après 400 heures de lecture.

Pour conserver toutes les performances du tourne-disque à la lecture, veillez à utiliser une pointe de lecture de rechange Audio-Technica d'origine. Les pointe de lecture de rechange d'origine portent la marque Audio-Technica (Ⓐ) sur l'avant du porte-pointe et sur l'emballage.

Figure 9 – Retrait de la pointe de lecture

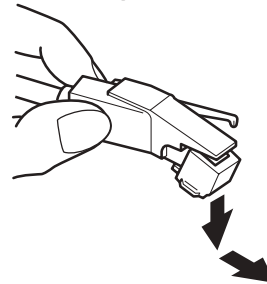
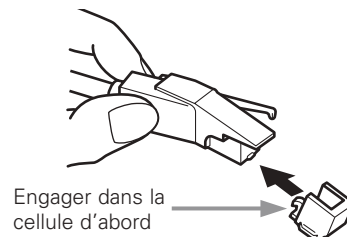
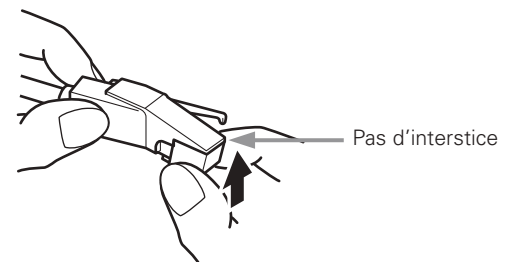


Figure 10 – Mise en place d'une nouvelle pointe de lecture

10a



10b



Dépannage

Le tourne-disque ne fonctionne pas

1. Vérifiez que le câble d'alimentation CA du tourne-disque est branché sur une prise secteur CA et que la prise est alimentée en courant.
2. Vérifiez que la courroie d'entraînement est correctement mise en place. (Voir fig. 11.)

A) Retirez le tapis antidérapant du plateau (fig. 11a). Placez le tapis dans son emballage en carton pour le mettre à l'abri. Par un des perçages dans le plateau, vérifiez que la courroie d'entraînement se trouve correctement placée sur la poulie en laiton du moteur (fig. 11b).

(REMARQUE: Si la courroie n'est pas placée correctement autour de la poulie du moteur, le tourne-disque ne fonctionnera pas. Veuillez vérifier soigneusement que la courroie soit correctement placée.)

B) Si la courroie d'entraînement ne se trouve pas correctement placée sur la poulie en laiton du moteur : Soulevez et retirez le plateau du tourne-disque. Placez un pouce dans chacun des perçages du plateau ; en appuyant des doigts sur le boîtier du tourne-disque, tirez le plateau **à la verticale vers le haut** (fig. 11c). Évitez d'appuyer sur le bras de lecture.

C) Retournez le plateau et placez la courroie autour du moyeu d'entraînement en veillant à ce que la courroie ne soit ni tordue ni croquée (fig. 11d).

D) Remettez le plateau du tourne-disque en place en l'engageant complètement sur l'axe central ; ensuite, amenez l'un des perçages au-dessus de la poulie en laiton du moteur.

E) En passant par le perçage, prenez la courroie par un doigt ou tirez dessus à l'aide de la languette rouge d'origine (ne vous servez **jamais** d'un objet pointu) et amenez la courroie par-dessus la poulie en laiton du moteur (fig. 11e). Veillez à ce que la courroie ne soit pas tordue entre la poulie et le moyeu.

F) Remettez le tapis antidérapant sur le plateau.

G) En maintenant le bras de lecture dans sa position de repos, tournez lentement le plateau à la main sur dix tours dans le sens des aiguilles d'une montre de façon à faire effectuer un cycle complet au mécanisme automatique.

Le tourne-disque fonctionne mais il n'y a pas de son

1. La protection de la pointe de lecture est restée en place.
2. Le bouton de levage du bras de lecture est enfoncé.
3. Les réglages de l'amplificateur sont incorrects : sélection de sortie erronée, contrôle d'écoute activé, haut-parleurs désactivés, etc.
4. Vérifiez si la pointe de lecture est correctement placée dans la cellule. Pour le placement de la pointe de lecture, reportez-vous aux instructions données à la page 13.
5. En cas de connexion à un dispositif *Bluetooth*, assurez-vous que la connexion sans fil a bien été réalisée. (voir page 12.)

Le tourne-disque fonctionne mais il n'y a pas de son ou le volume du son est très faible

1. Si le tourne-disque est connecté à une entrée AUX (niveau élevé) : il se peut que le sélecteur de préamplification soit réglé sur « PHONO » (niveau d'entrée phono). Placez le sélecteur sur la position « LINE ».
2. Le gain d'entrée du haut-parleur amplifié ou d'un appareil similaire peut être trop faible.
3. Il se peut que le porte-pointe ne soit pas correctement placé dans la cellule. (Voir fig. 10 à la page 13.)

Distorsion importante du son

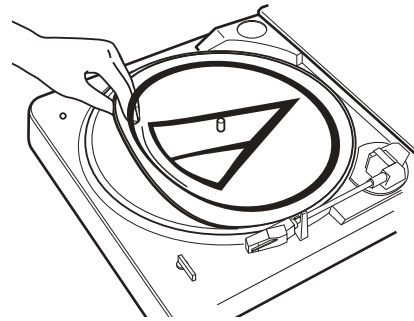
1. Si le tourne-disque est connecté à l'entrée PHONO d'un amplificateur : si le sélecteur de préamplification est réglé sur « LINE » (Line - entrée AUX de niveau élevé), l'entrée phono sera en saturation.

La platine oscille légèrement

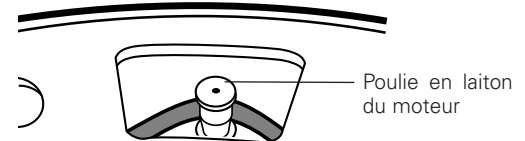
1. Généralement, ce comportement est normal et ne constitue pas un problème. Si l'oscillation de la platine est telle qu'elle rend impossible la lecture du disque, veuillez vous adresser à votre revendeur ou à notre service après-vente. **Assurez-vous de façon certaine que la surface sur laquelle se trouve le tourne-disque ne répercute pas des vibrations provenant du sol, des murs voisins ou du son diffusé directement par des haut-parleurs.**

Figure 11 – Vérification de la courroie d'entraînement

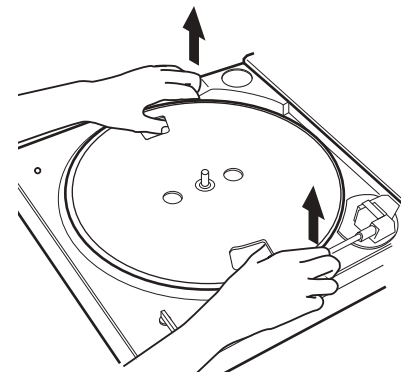
11a



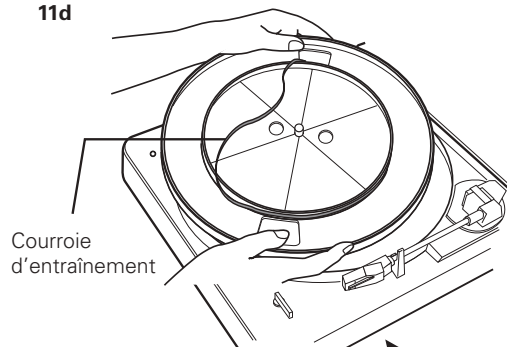
11b



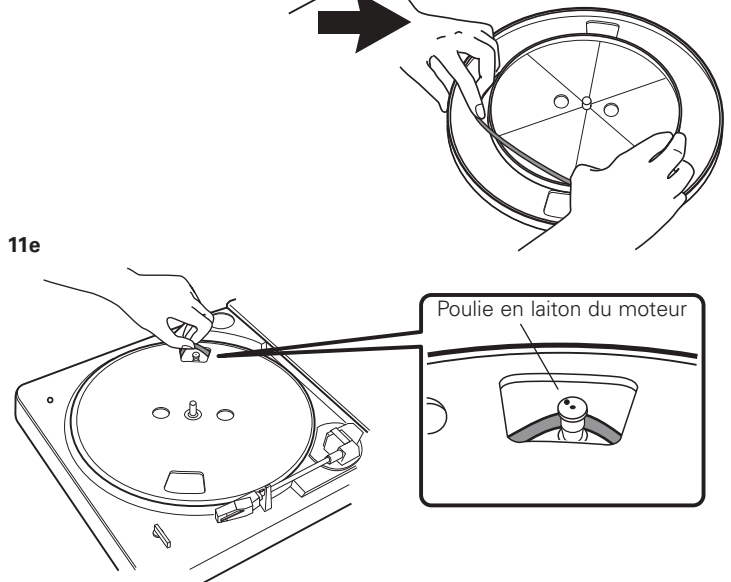
11c



11d



11e



Caracteristiques techniques

Conseils d'optimisation des performances

- En ouvrant ou en fermant le couvercle du tourne-disque, veillez à ne pas forcer le mécanisme des charnières : prenez le couvercle par le milieu ou exercez une force égale de part et d'autre si vous le prenez par les côtés.
- Ne touchez jamais la pointe de lecture des doigts ; évitez de cogner la pointe contre le tapis antidérapant ou sur le bord du disque.
- Nettoyez fréquemment le bout de la pointe de lecture à l'aide d'une brosse douce en lui appliquant **un mouvement de l'arrière vers l'avant uniquement**.
- Si vous utilisez un liquide de nettoyage pour la pointe de lecture, veillez toujours à l'utiliser **en très faible quantité**.
- Nettoyez le couvercle anti-poussière et le boîtier du tourne-disque à l'aide d'un chiffon doux, sans exercer de pression excessive. Pour nettoyer le tourne-disque et le couvercle anti-poussière, utilisez toujours une solution de détergent doux en faible quantité.
- Ne mettez jamais les éléments du tourne-disque en contact avec des produits chimiques agressifs ou des solvants.
- Avant de déplacer le tourne-disque, débranchez toujours le cordon d'alimentation de la prise secteur CA et fixez le bras de lecture sur son support à l'aide de l'attache en vinyle.

Caractéristiques techniques

Système de communication	Ver. <i>Bluetooth</i> 3.0
Sortie	Spécification <i>Bluetooth</i> classe de puissance 2
Plage de communication maximale	Ligne de visée : environ 10 m
Profil <i>Bluetooth</i> compatible	A2DP
Codec pris en charge	SBC
Type	Tourne-disque à entraînement par courroie, entièrement automatique
Plateau	Aluminium
Moteur	A servocommande CC
Vitesses	33 1/3 tr/min, 45 tr/min
Fluctuations de vitesse	Moins de 0,25 % (WTD) @ 3 kHz (JIS)
Rapport signal/bruit	>50 dB (DIN-B)
Cellule stéréo	Cellule stéréo Integral Dual Moving Magnet™ avec pointe de lecture en diamant
Niveau de sortie	
Préamplification « PHONO »	2,5 mV nominal à 1 kHz, 5 cm/sec
Préamplification « LINE »	150 mV nominal à 1 kHz, 5 cm/sec
Gain du préamplificateur de phonographe	36 dB nominal, égalisé R.I.A.A.
Puissance absorbée	220 à 240 V AC, 50/60 Hz, 3 W (Europe)
Dimensions	L 360,0 mm x H 97,5 mm x P 356,0 mm
Poids net	2,98 kg
Accessoires	Mini-jack (mâle) 3,5 mm - câble de sortie stéréo double RCA (mâle), Adaptateur 45 tr/min, Couvercle anti-poussière amovible
Pointe de lecture de remplacement	ATN3600L

- La marque et les logos *Bluetooth* sont la propriété de Bluetooth SIG, Inc. et toute utilisation desdites marques par Audio-Technica Corporation est sous licence. Toutes les autres marques sont la propriété de leurs détenteurs respectifs.
- Le produit est susceptible d'être modifié sans préavis à des fins d'amélioration.

Kabelloser Plattenspieler

Einleitung

Herzlichen Dank, dass Sie sich für den kabellosen Plattenspieler AT-LP60-BT entschieden haben! Audio-Technica ist seit mehr als 50 Jahren als Hersteller innovativer Stereo-Plattenspieler bekannt. Wir freuen uns, Ihnen diesen Plattenspieler mit seiner überragenden Leistung und vielen bequemen Funktionen präsentieren zu dürfen.

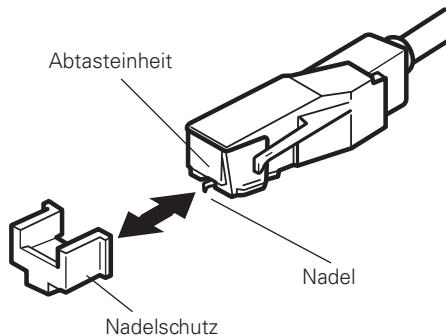
Der kabellose Plattenspieler AT-LP60-BT bietet:

- Vollautomatischen Betrieb
- Zwei Abspielgeschwindigkeiten: 33 $\frac{1}{3}$ U/min und 45 U/min
- Professioneller Aluminium-Plattenteller
- Integral Audio-Technica Dual Moving Magnet™ Tonabnehmer mit auswechselbarer Diamantnadel
- Integrierter *Bluetooth*-Sender. Ermöglicht den Einsatz des Plattenspielers mit kabellosen Lautsprechern, Kopfhörern und anderen Geräten mit *Bluetooth*®-Drahtlostechnologie.
- Integrierter, umschaltbarer Phono/Line-Stereovorverstärker. Ermöglicht den Einsatz des Plattenspielers mit Stereoanlagen, die über einen Phono- oder AUX-Eingang (mit Line-Pegel) verfügen, sowie Kombinieren des Plattenspielers mit den meisten Aktivlautsprechern.
- Gedämpfter Tonarmlift mit Bedienung an der Frontplatte
- Abnehmbare Staubschutzhaube

Lesen Sie bitte alle Informationen, um beste Ergebnisse mit dem Plattenspieler zu erzielen, und folgen Sie den Anweisungen in dieser Anleitung. Bitte bewahren Sie die Anleitung zur späteren Bezugnahme griffbereit auf.

Wir empfehlen Ihnen, alle Verpackungsmaterialien für eventuelle Lagerung sowie Transport- oder Versandfälle aufzubewahren.

VORSICHT: Um eine Beschädigung der Nadel zu vermeiden, achten Sie darauf, dass der Nadelschutz angebracht ist, wenn der Plattenspieler aufgestellt, bewegt oder gereinigt wird.



Wichtige Informationen

Warnung:

- Setzen Sie das Gerät weder Regen noch Feuchtigkeit aus, um die Gefahr eines Brands oder Stromschlags zu vermeiden.

Achtung:

- Das Gerät darf weder Tropf- noch Spritzwasser ausgesetzt werden.
- Öffnen Sie das Gehäuse nicht, um die Gefahr eines Stromschlags zu vermeiden.
- Überlassen Sie Wartungs- oder Reparaturarbeiten nur qualifiziertem Fachpersonal.
- Das Gerät darf keiner übermäßigen Hitzeeinwirkung, beispielsweise direktem Sonnenlicht, Feuer oder ähnlichem, ausgesetzt werden.
- Schützen Sie das Gerät vor starken Erschütterungen.
- Dieses Gerät sollte in der Nähe einer Steckdose platziert werden, damit der Stecker des Netzkabels stets leicht gegriffen werden kann.
- Trennen Sie im Notfall das Netzkabel des Geräts sofort.
- Stellen Sie keine mit Flüssigkeiten gefüllten Gegenstände (z. B. Vasen) auf das Gerät.
- Stellen Sie keine offenen Feuerquellen (wie brennende Kerzen) auf das Gerät, um die Gefahr eines Brands zu vermeiden.
- Stellen Sie dieses Gerät nicht an beengten Stellen auf (z. B. in einem Bücherregal).
- Installieren Sie das Gerät nur an Orten mit guter Belüftung.
- Bedecken Sie die Belüftungsöffnungen des Geräts nicht mit Zeitungen, Tischdecken, Vorhängen usw., um die Gefahr eines Brands zu vermeiden.

Zur Bezugnahme:

- Die Funktion von Herzschrittmachern kann durch Funkwellen des Plattenspielers beeinträchtigt werden. Wenden Sie sich in einem solchen Fall an Ihren örtlichen Audio-Technica-Händler.
- Achten Sie auf einen Abstand von mindestens 22 cm zu Herzschrittmachern. Die Funktion von Herzschrittmachern kann durch Funkwellen des Gerätes beeinträchtigt werden.
- Verwenden Sie den Plattenspieler nicht in der Nähe medizinischer Geräte. Funkwellen können Herzschrittmacher und medizinische Elektronikgeräte stören. Verwenden Sie das Produkt nicht in medizinischen Einrichtungen.
- Verwenden Sie den Plattenspieler nicht in der Nähe von automatisch arbeitenden Vorrichtungen wie automatische Türen und Feuermeldern. Funkwellen können die Funktion elektrischer Geräte stören und Unfälle verursachen.

Gleichzeitiger Gebrauch mit anderen Geräten

Probleme wie Tonaussetzer können durch Funkstörungen von Geräten verursacht werden, die dasselbe Frequenzband (2,4 GHz) nutzen wie der Plattenspieler, einschließlich Geräte mit *Bluetooth*-Drahtlostechnologie, Geräte, die über WLAN kommunizieren, digitale schnurlose Telefone und Mikrowellenherde. Da auch die Funkwellen vom Plattenspieler diese Geräte stören können, treffen Sie die nachstehenden Vorsichtsmaßnahmen:

- Stellen Sie Geräte, die mit demselben Frequenzband (2,4 GHz) arbeiten, vom Plattenspieler entfernt auf.

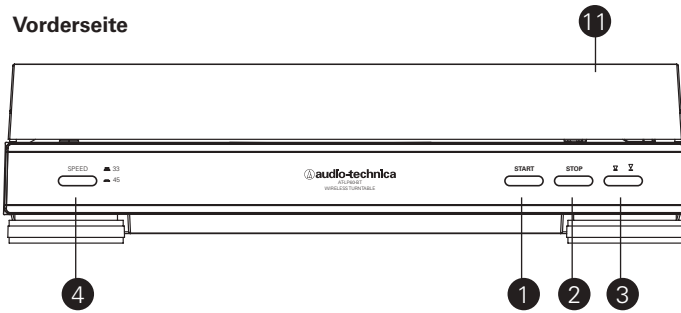
Hinweise zum Gebrauch

Jedes mit dem Plattenspieler verbundene Gerät muss den von Bluetooth SIG ins Leben gerufenen *Bluetooth*-Standards entsprechen und zugelassen sein.

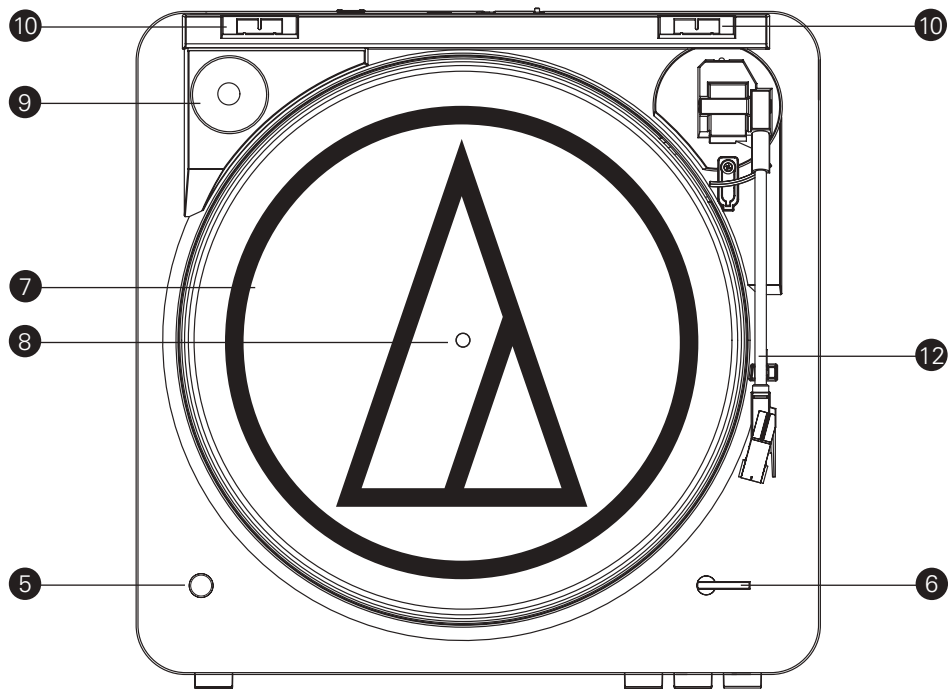
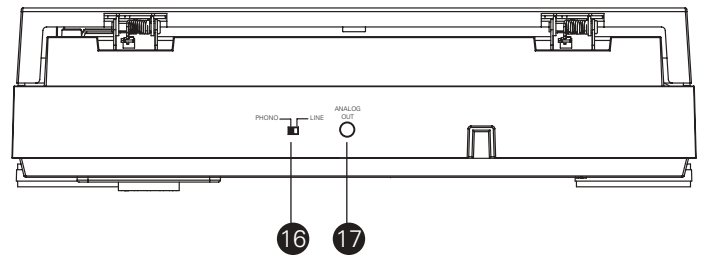
Auch den *Bluetooth*-Standards entsprechende Geräte sind je nach Geräteeigenschaften und -spezifikationen möglicherweise nicht in der Lage, eine Verbindung mit dem Plattenspieler aufzubauen.

Abbildung 1

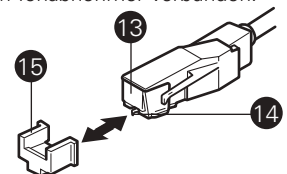
Vorderseite



Rückseite



- 1** START-TASTE
Setzt den Motor/Plattenteller in Gang und startet den automatischen Betrieb.
- 2** STOP-TASTE
Stoppt den Motor/Plattenteller und führt den Tonarm zurück auf die Tonarmstütze.
- 3** TONARMLIFT-TASTE
Zum Heben und Senken des Tonarms bei manueller Bedienung.
- 4** SPEED-TASTE
Zum Auswählen der Plattenteller-Drehgeschwindigkeit: 33 U/min (Taste eingerastet) oder 45 U/min.
- 5** FUNKTIONSTASTE FÜR KABELLOSEN BETRIEB (mit AnzeigLED)
Dient zum erstmaligen Paaren mit einem *Bluetooth*-Empfangsgerät (Lautsprecher, Kopfhörer, Receiver, Tonschiene u. dgl.) sowie zum Stoppen der kabellosen Signalübertragung.
- 6** GRÖSSENWAHLSCHALTER
Zum Vorgeben der Schallplattengröße: 12 Zoll oder 7 Zoll.
- 7** PLATTENTELLER
Der Aluminium-Plattenteller sitzt direkt auf der Mittelachse/Motorwelle.
* Die Abbildung zeigt den Plattenteller mit aufgelegter Matte.
- 8** MITTELACHSE
Plattentellerachse zur Ausrichtung der Schallplatte.
- 9** Single-Adapter für 45 U/min (in seiner Aufbewahrungsmulde)
Adapter zum zentrierten Auflegen von 7-Zoll-Schallplatten mit großem Mittelloch.
- 10** AUFNAHMEN FÜR DIE SCHARNIERE DER STAUBSCHUTZHAUBE
Hier werden die Scharniere der abnehmbaren Staubschutzhaube zur Anbringung eingeführt.
- 11** STAUBSCHUTZHAUBE
- 12** TONARM/TONABNEHMER
Der Tonarm ist fest mit dem Tonabnehmer verbunden.
- 13** ABTASTEINHEIT
- 14** Nadel
- 15** Nadelschutz
- 16** Vorverstärker-Wahlschalter (PHONO/LINE)
(An der Rückseite des Plattenspielers) Verwenden Sie die Einstellung PHONO, wenn Sie den Plattenspieler über ein Ausgangskabel an den Phono-Eingang Ihrer Stereoanlage anschließen. Verwenden Sie die Einstellung LINE, wenn Sie den Plattenspieler über ein Ausgangskabel an den CD-, TAPE- oder AUX-Eingang Ihrer Stereoanlage anschließen.
- 17** Analogausgang (ANALOG OUT)
Über diesen Ausgang können Sie den Plattenspieler mit dem im Lieferumfang enthaltenen Ausgangskabel (3,5 mm Stereo-Minstecker an zwei Cinch-Stecker) an Ihre Stereoanlage anschließen.



Inbetriebnahme

Vorbereitung des Plattenspielers

Der AT-LP60-BT erfordert vor dem ersten Einsatz einige vorbereitende Handgriffe.

WICHTIG: Schließen Sie das Netzkabel erst dann an, wenn der vorbereitende Zusammenbau abgeschlossen ist.

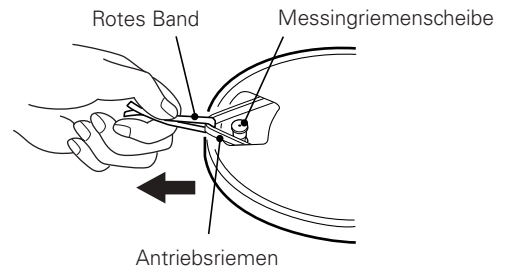
1. Setzen Sie den Plattenteller vorsichtig bis zum Anschlag auf die Mittelachse und vergewissern Sie sich, dass er fest auf der Achse sitzt.
2. Halten Sie beide Enden des roten Bands am Antriebsriemen fest und ziehen Sie den Riemen vorsichtig über die Messingriemenscheibe des Motors (Abb. 2a). (Wenn der Riemen herunterrutscht, nehmen Sie den Plattenteller ab und bringen den Riemen wieder so an, wie auf Seite 21 beschrieben.)
3. Sobald der Riemen fest in der Riemenscheibe sitzt, entfernen Sie das Band. Vergewissern Sie sich, dass der Riemen nicht verdreht ist.

(HINWEIS: Wenn der Riemen nicht richtig um die Riemenscheibe des Motors gelegt wird, arbeitet der Plattenspieler nicht. Vergewissern Sie sich bitte noch einmal, dass der Riemen korrekt sitzt.)

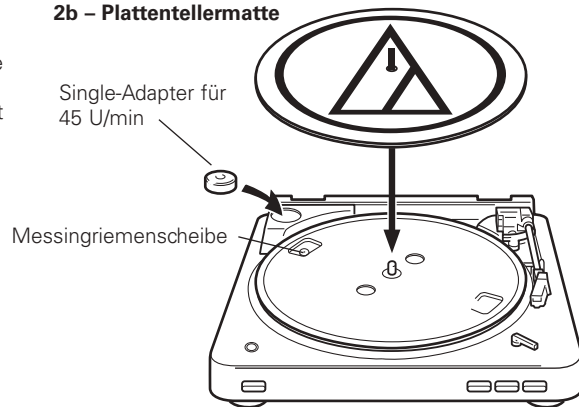
4. Legen Sie die Matte auf den Plattenteller (Abb. 2b).
5. Sie können die Staubschutzhaube bei Bedarf ganz entfernen. Halten Sie beide Seiten der Haube fest und ziehen Sie sie **langsam und gleichmäßig** nach oben, um sie vom Plattenspieler zu trennen (Abb. 2c). Bewahren Sie die Haube an einem sicheren, sauberen Ort auf.
6. Wenn Sie die Haube wieder anbringen möchten, führen Sie die beiden Scharniere an der Haube in die Aufnahmen hinten am Plattenspielergehäuse ein.

Abbildung 2 – Vorbereitung des Plattenspielers

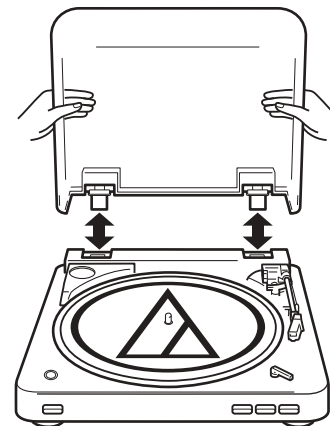
2a – Antriebsriemen



2b – Plattentellermatte



2c – Entfernen der Staubschutzhaube

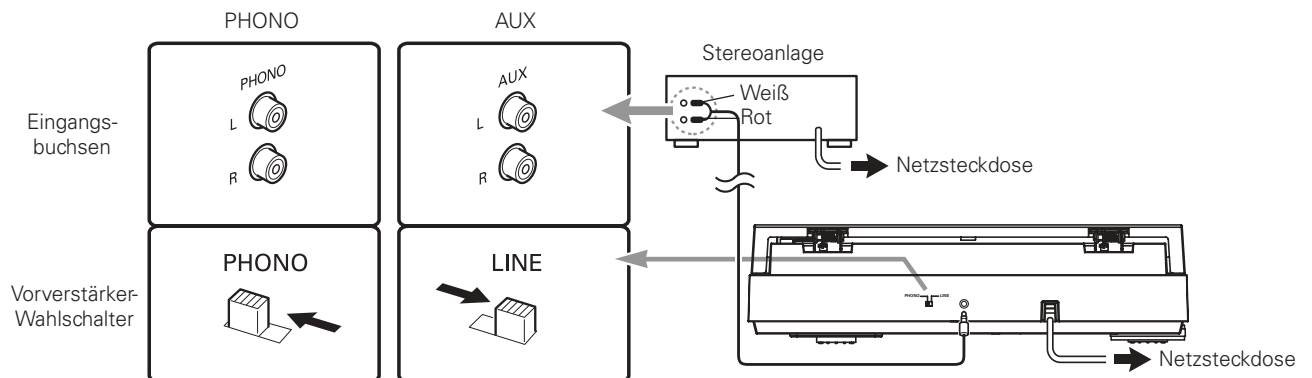


Einstellen des Vorverstärker-Wahlschalters (PHONO/LINE)

Zur Erweiterung des Einsatzspektrums verfügt dieser Plattenspieler über einen internen Phono/Line-Stereoververstärker. Der Vorverstärker-Wahlschalter (PHONO/LINE) befindet sich an der Rückseite des Plattenspielers. Wenn die von Ihnen verwendete Stereoanlage einen PHONO-Eingang hat, stellen Sie den Vorverstärker-Wahlschalter auf „PHONO“. Sollte Ihre Stereoanlage keinen PHONO-Eingang haben, stellen Sie den den Vorverstärker-Wahlschalter auf „LINE“ und schließen die Ausgangskabel des Plattenspielers an den AUX-Eingang oder einen anderen hochpegeligen Eingang Ihrer Stereoanlage an (an späterer Stelle beschrieben) (Abb. 3).

Der Vorverstärker-Wahlschalter hat keinen Einfluss auf die kabellose Verbindung. Wenn Sie den Plattenspieler mit einem *Bluetooth*-Empfangsgerät verbinden, ist die Einstellung des Vorverstärker-Wahlschalters ohne Belang.

Abbildung 3



Bedienung (Fortsetzung)

Vorsicht: Wenn der Tonarm das Ende der Schallplatte erreicht hat, wird er automatisch angehoben und zur Tonarmstütze zurückgeführt. Bei Ablauf dieses Vorgangs **darf die Bewegung des Tonarms nicht gestört werden, da dies eine Beschädigung des Mechanismus zur Folge haben kann.**

Falls der Tonarm am Ende einer Schallplatte nicht automatisch zur Tonarmstütze zurückgeführt wird, drücken Sie einfach die STOP-Taste, um den Abspielvorgang abzuschließen.

Manuelle Bedienung

1. Entfernen Sie den Nadelschutz von der Abtasteinheit (Abb. 4).
2. Legen Sie eine Schallplatte auf den Plattenteller. Verwenden Sie den Single-Adapter für 45 U/min, falls erforderlich (Abb. 5).
3. Wählen Sie die Größe der Schallplatte: 12 Zoll oder 7 Zoll (Abb. 6).
4. Wählen Sie die Abspielgeschwindigkeit: 33 $\frac{1}{3}$ U/min oder 45 U/min (Abb. 7).
5. Drücken Sie die Tonarmlift-Taste, um den Tonarm zu heben (Abb. 8c).
6. Bewegen Sie den Tonarm vorsichtig so weit über die Schallplatte, dass die Nadel sich über der Stelle befindet, an der die Wiedergabe beginnen soll.
7. Drücken Sie die Tonarmlift-Taste ein weiteres Mal, um den Tonarm langsam abzusenken und die Schallplatte abzuspielen.

Abbildung 6

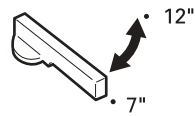
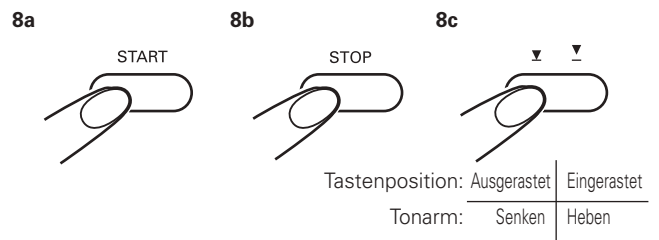


Abbildung 7



Abbildung 8



Auswechseln der Nadel

Halten Sie den Tonarm am Tonabnehmer und ziehen Sie die Abtasteinheit vorne in einer Drehbewegung nach vorne/unten ab, um sie zu entfernen (Abb. 9). (Merken Sie sich beim Entfernen der alten Abtasteinheit ihre Position und den Kraftaufwand. Der Anbau der neuen Abtasteinheit geht dann leichter vonstatten.)

Bringen Sie die neue Abtasteinheit an, wie in Abb. 10a/10b veranschaulicht, ohne dabei die Nadel selbst zu berühren. Achten Sie darauf, dass die Nase am hinteren Teil der Einheit **zuerst** in das Tonabnehmergehäuse greift (Abb. 10a), die Einheit oben mit einem „Klick“ einrastet und keine Lücke zwischen der Oberkante der Abtasteinheit und dem vorderen Kunststoffteil des Tonarms verbleibt (Abb. 10b). Ersetzen Sie die Abtastnadel nach 400 Betriebsstunden.

Verwenden Sie zur Aufrechterhaltung der ursprünglichen Leistung ausschließlich Original-Ersatznadeln von Audio-Technica. Sie erkennen sie an dem Audio-Technica-Logo (AT) an der Vorderseite der Abtasteinheit und an der Verpackung.

Abbildung 9 – Entfernen der Abtastnadel

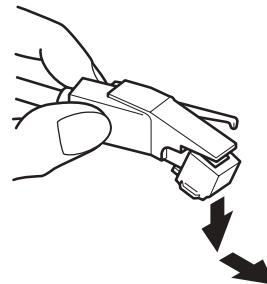
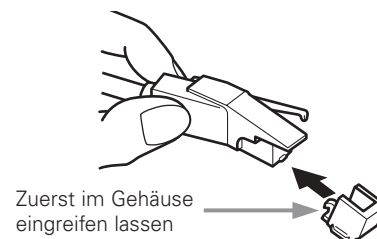
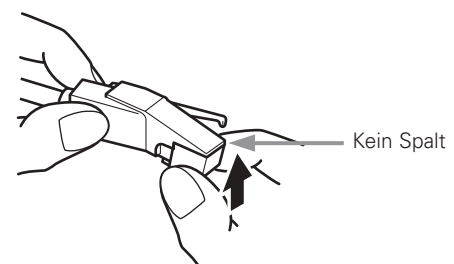


Abbildung 10 – Anbringen einer neuen Abtastnadel

10a



10b



Plattenspieler funktioniert nicht

1. Vergewissern Sie sich, dass das Netzkabel des Plattenspielers an einer Steckdose angeschlossen ist und diese Strom liefert.
2. Prüfen Sie, ob der Antriebsriemen richtig sitzt. (Siehe Abb. 11.)
 - A) Entfernen Sie die Matte vom Plattenteller (Abb. 11a). Legen Sie die Matte sicherheitshalber in die Originalverpackung. Sehen Sie durch eine der Öffnungen im Plattenteller nach, ob der Antriebsriemen um die Messingriemenscheibe gelegt ist (Abb. 11b).
 - (HINWEIS:** Wenn der Riemen nicht richtig um die Messingriemenscheibe des Motors gelegt ist, arbeitet der Plattenspieler nicht. Vergewissern Sie sich bitte noch einmal, dass der Riemen korrekt sitzt.)
 - B) Falls der Antriebsriemen nicht um die Messingriemenscheibe gelegt ist: Heben Sie den Plattenteller an, um ihn zu entfernen. Greifen Sie mit den Daumen in die linke und rechte Öffnung im Plattenteller und drücken Sie mit den Fingern außen auf die obere Fläche des Plattenspielergehäuses, um den Plattenteller **gerade nach oben** abzuziehen (Abb. 11c). Drücken Sie dabei nicht auf den Tonarm.
 - C) Legen Sie den Plattenteller mit der Oberseite nach unten ab und legen Sie den Riemen so um den Antriebskranz des Plattentellers, dass er am gesamten Umfang sauber und flach anliegt (Abb. 11d).
 - D) Setzen Sie den Plattenteller wieder so auf die Mittelachse, dass er fest sitzt, und drehen Sie ihn, bis eine seiner Öffnungen über der Messingriemenscheibe zu liegen kommt.
 - E) Ziehen Sie den Riemen durch diese Öffnung mit einem Finger oder mit dem ursprünglichen roten Band (**niemals** mit einem scharfen Gegenstand) über die Messingriemenscheibe (Abb. 11e). Vergewissern Sie sich, dass der Riemen zwischen Riemenscheibe und Antriebskranz des Plattentellers nicht verdreht ist.
 - F) Legen Sie die Matte wieder auf den Plattenteller.
 - G) Halten Sie den Tonarm auf der Tonarmstütze fest und drehen Sie den Plattenteller mit der Hand langsam mindestens 10 Mal im Uhrzeigersinn, damit die Automatik einwandfrei arbeitet.

Plattenspieler funktioniert, aber kein Ton

1. Der Nadelschutz wurde nicht entfernt.
2. Die Tonarmlift-Taste ist eingerastet.
3. Die Einstellungen am Verstärker stimmen nicht: falscher Eingang gewählt, Hinterbandkontrolle eingeschaltet, Signalweg stimmt nicht, Lautsprecher ausgeschaltet usw.
4. Prüfen Sie die Abtasteinheit am Tonabnehmer auf korrekten Sitz. Siehe Anweisungen zum Auswechseln der Nadel auf Seite 20.
5. Bei Verbindung mit einem *Bluetooth*-Gerät prüfen Sie, ob die kabellose Verbindung vorschriftsmäßig hergestellt wurde. (Siehe Seite 19.)

Plattenspieler funktioniert, aber kein Ton oder Ton zu leise.

1. Wenn der Plattenspieler an einem AUX-Eingang (Hochpegel-Eingang) angeschlossen ist: Der Vorverstärker-Wahlschalter steht möglicherweise auf „PHONO“ (Phono-Eingangspegel). Stellen Sie den Schalter auf „LINE“.
2. Die Eingangsverstärkung des Aktivlautsprechers oder ähnlichen Geräts ist möglicherweise zu niedrig eingestellt.
3. Die Abtasteinheit sitzt möglicherweise nicht bis zum Anschlag im Tonabnehmergehäuse. (Siehe Abb. 10 auf Seite 20.)

Ton ist stark verzerrt

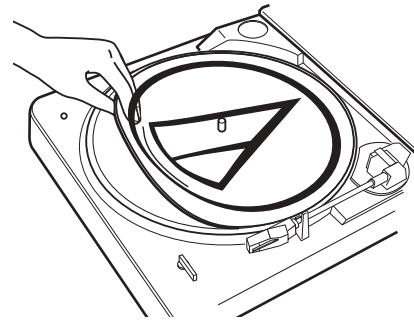
1. Plattenspieler ist am PHONO-Eingang eines Verstärkers angeschlossen: Wenn der Vorverstärker-Wahlschalter auf „LINE“ (AUX-Hochpegel-Ausgang) steht, wird der Phono-Eingang überlastet.

Schallplatte/Tonarm bewegt sich leicht auf und ab

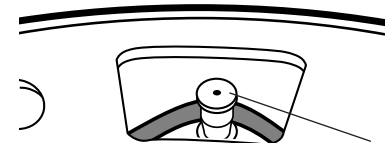
1. Dies ist normal und bereitet in der Regel keine Probleme. Sollte die Schallplatte dadurch jedoch nicht mehr korrekt abgespielt werden können, wenden Sie sich an Ihren Fachhändler oder unseren Kundendienst. **Achten Sie darauf, dass vom Boden, von den Wänden oder von den Lautsprechern keine Vibrationen auf die Stellfläche des Plattenspielers übertragen werden.**

Abbildung 11 – Überprüfung des Antriebsriemens

11a

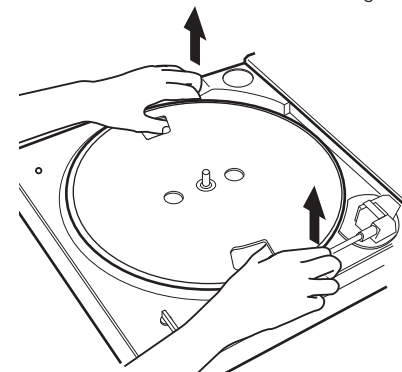


11b

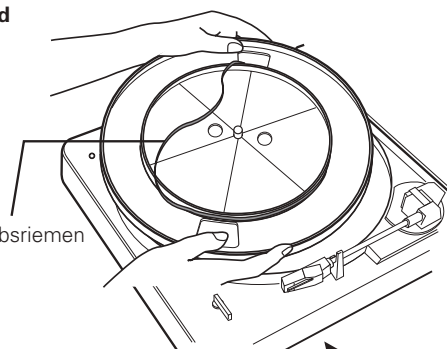


Messingriemenscheibe

11c

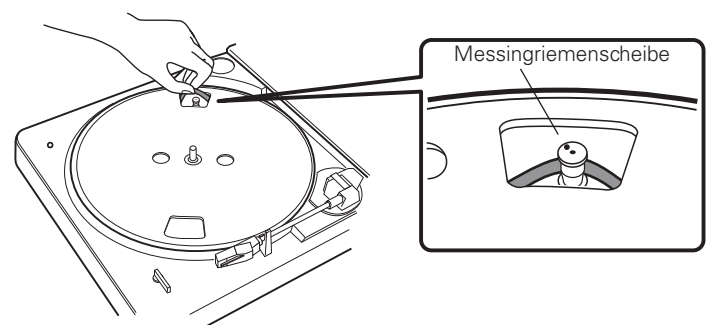


11d



Antriebsriemen

11e



Messingriemenscheibe

Technische Daten

Tipps für störungsfreien Betrieb

- Öffnen und schließen Sie die Staubschutzhaube mit der entsprechenden Vorsicht und fassen Sie sie dabei entweder in der Mitte oder an beiden Seiten.
- Berühren Sie die Nadelspitze niemals mit den Fingern; senken Sie die Nadel nicht auf die Plattentellermatte oder die Kante einer Schallplatte ab.
- Reinigen Sie die Abtastnadel regelmäßig mit einer weichen Bürste, und **bewegen Sie die Bürste dabei ausschließlich von hinten nach vorne.**
- Wenn Sie Nadelreinigungsflüssigkeit verwenden, setzen Sie sie stets **sehr sparsam** ein.
- Wischen Sie die Staubschutzhaube und das Plattenspielergehäuse vorsichtig mit einem weichen Tuch ab. Verwenden Sie zur Reinigung des Plattenspielers und der Staubschutzhaube ausschließlich eine sparsame Menge einer milden Reinigungslösung.
- Verwenden Sie niemals aggressive Reiniger oder Lösungsmittel an irgendwelchen Teilen des Plattenspielers.
- Vor dem Umstellen oder Bewegen des Plattenspielers trennen Sie ihn immer vom Netz und befestigen den Tonarm mit dem Drehbinder an der Tonarmstütze.

Technische Daten

Kommunikationssystem	Bluetooth Ver. 3.0
Ausgang	Bluetooth-Spezifikation Leistungsklasse 2
Max. Kommunikationsreichweite	Sichtlinie - ca. 10 m
Kompatibles Bluetooth-Profil	A2DP
Support Codec	SBC
Typ	Plattenspieler mit Riemenantrieb, vollautomatisch
Plattenteller	Aluminium
Motor	DC, servogesteuert
Abspielgeschwindigkeiten	33 $\frac{1}{3}$ U/min, 45 U/min
Gleichlaufschwankungen	Weniger als 0,25% (WTD) @ 3 kHz (JIS)
Rauschabstand	>50 dB (DIN-B)
Tonabnehmer	Integral Dual Moving Magnet™ Stereotonabnehmer mit Diamantnadel
Ausgangspegel	
Vorverstärker „PHONO“	2,5 mV nominal bei 1 kHz, 5 cm/s
Vorverstärker „LINE“	150 mV nominal bei 1 kHz, 5 cm/s
Phono-Vorverstärkung	36 dB nominal, RIAA-entzerrt
Stromversorgung	220-240 V AC, 50/60 Hz, 3 W (Europa)
Abmessungen	360,0 mm B x 97,5 mm H x 356,0 mm T
Gewicht (netto)	2,98 kg
Zubehör	Stereo-Ausgangskabel (3,5 mm Stereo-Ministecker an zwei Cinch-Stecker), Single-Adapter für 45 U/min, Abnehmbare Staubschutzhaube mit Scharnieren
Ersatznadel	ATN3600L

- Die *Bluetooth*-Wortmarke und -Logos sind Eigentum der Bluetooth SIG, Inc., und die Nutzung jeglicher dieser Marken durch Audio-Technica Corporation erfolgt unter Lizenz. Alle anderen Markenzeichen sind Eigentum der jeweiligen Rechteinhaber.
- Änderungen an technischen Daten bleiben zum Zwecke der Produktverbesserung ohne vorherige Ankündigung vorbehalten.

Introduzione

Grazie d'aver acquistato il giradischi wireless AT-LP60-BT. Audio-Technica è leader di prodotti innovativi audio-stereo da oltre 50 anni. Siamo lieti di offrire questo giradischi, di cui è possibile apprezzare le eccellenti prestazioni e le innumerevoli e pratiche funzionalità incluse.

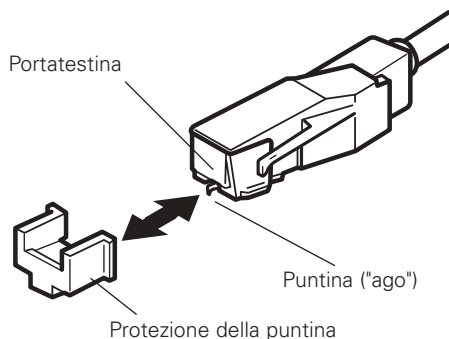
Caratteristiche del giradischi wireless AT-LP60-BT:

- Funzionamento completamente automatico
- Due velocità: 33 $\frac{1}{3}$ giri e 45 giri
- Piatto per giradischi professionale in alluminio
- Cartuccia con testina a doppio magnete mobile Integral Audio-Technica Dual Magnet™ con puntina in diamante sostituibile
- Funzione trasmettitore *Bluetooth* integrale. Permette l'utilizzo del piatto rotante con altoparlanti, cuffie e altri dispositivi wireless con tecnologia wireless *Bluetooth*®.
- Preamplificatore stereo fono/linea (Phono/Line) selezionabile incorporato, che permette di utilizzare il giradischi con impianti stereo dotati di ingressi fono-magnetici o ingressi "AUX" (a livello di linea); inoltre, consente un pratico utilizzo del giradischi con la maggior parte degli altoparlanti dotati di alimentazione propria
- Meccanismo di sollevamento/abbassamento ammortizzato con comandi sul pannello anteriore
- Coperchio antipolvere rimovibile

Per trarre la massima soddisfazione da questo prodotto, leggere le informazioni e seguire le istruzioni contenute nel presente manuale. Conservare il manuale in un luogo accessibile per ogni riferimento futuro.

Consigliamo di conservare tutto il materiale di imballaggio per ogni eventuale futuro trasferimento, spedizione o immagazzinamento.

ATTENZIONE: per evitare di danneggiare la puntina, assicurarsi che la protezione apposta sia al suo posto in caso di installazione, spostamento o pulizia del giradischi.



Informazioni importanti

Avvertenza:

- Per evitare il pericolo di incendi o scosse elettriche, non esporre questo apparecchio alla pioggia o all'umidità.

Attenzione:

- Non esporre questo apparecchio a sgoccioli o schizzi di liquidi.
- Per evitare scosse elettriche, non aprire lo telaio.
- Per l'assistenza, rivolgersi esclusivamente a personale qualificato.
- Non esporre questo apparecchio a calore eccessivo, ad esempio luce solare, fiamme esposte o simili.
- Non sottoporre questo apparecchio a forti urti.
- Questo apparecchio va posizionato in prossimità di una presa elettrica CA per agevolare il collegamento della alla spina del cavo di alimentazione.
- In caso di emergenza, scollegare rapidamente la spina del cavo di alimentazione.
- Non collocare su questo apparecchio oggetti riempiti con liquidi, ad esempio vasi di fiori.
- Per evitare il pericolo di incendi, non collocare fonti a fiamma viva (ad esempio candele accese) su questo apparecchio.
- Non installare questo apparecchio in spazi ristretti come scaffali o simili.
- Installare questo apparecchio solo dove è presente una buona ventilazione.
- Per evitare il pericolo di incendi, non ostacolare la ventilazione di questo apparecchio con giornali, tovaglie, tende, e simili.

Avvertenze:

- Scollegare il prodotto dal computer qualora si riscontrassero malfunzionamenti quali rumore, fumo, odori, calore o danni al prodotto. In tal caso, contattare il rivenditore Audio-Technica di zona.
- Non utilizzare il giradischi a una distanza inferiore di 22 cm da pacemaker cardiaci. I pacemaker possono essere influenzati da onde radio del piatto rotante.
- Non utilizzare il giradischi in prossimità di apparecchiature mediche. Le onde radio possono influire sul funzionamento di pacemaker cardiaci e apparecchiature elettroniche mediche. Non utilizzare il prodotto all'interno di strutture mediche.
- Non utilizzare il giradischi in prossimità di dispositivi di controllo automatici quali porte automatiche e allarmi antincendio. Le onde radio possono influire su apparecchiature elettroniche, con conseguenti incidenti dovuti a malfunzionamento.

Utilizzo simultaneo con altri dispositivi

Un guasto, come l'interruzione del suono, può essere causato da interferenza delle onde radio da parte di dispositivi che utilizzano la stessa banda di frequenza (2,4 GHz) del piatto rotante, compresi i dispositivi con tecnologia wireless *Bluetooth*, dispositivi che utilizzano LAN wireless, telefoni cordless digitali e microonde. Analogamente, poiché le onde radio del giradischi possono influire su questi dispositivi, adottare le seguenti precauzioni:

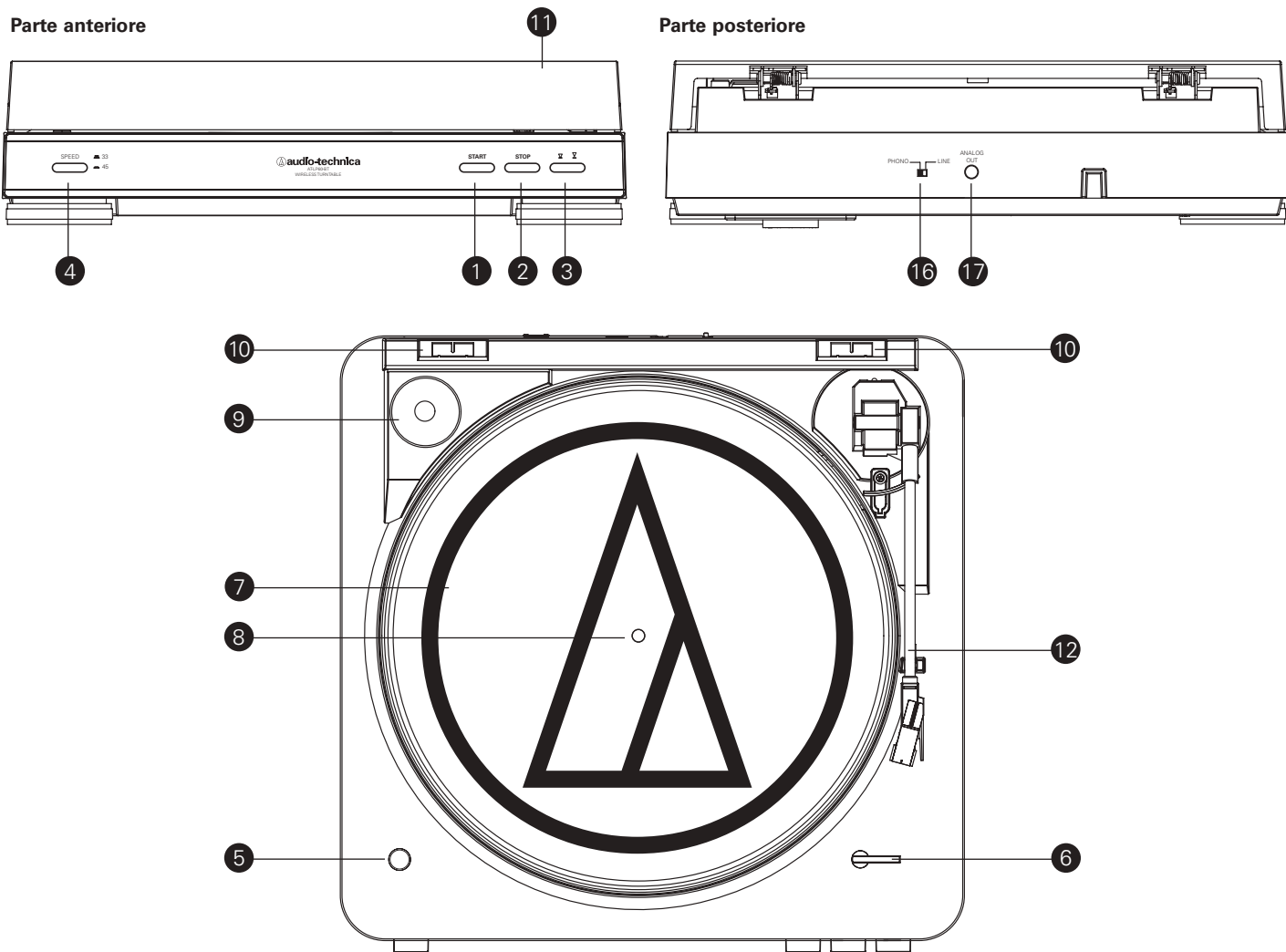
- Installare i dispositivi che utilizzano la stessa banda di frequenza (2,4 GHz) lontano dal giradischi.

Istruzioni d'uso

Qualsiasi dispositivo collegato al giradischi deve soddisfare gli standard *Bluetooth* stabiliti da Bluetooth SIG ed essere dotato di certificazione. Anche se il dispositivo dovesse soddisfare gli standard *Bluetooth*, potrebbe non collegarsi al giradischi oppure il metodo di funzionamento o il comportamento potrebbero differire in base alle caratteristiche e specifiche diverse del dispositivo.

Caratteristiche principali

Figura 1



- 1** PULSANTE START
Abilita il motore/piatto e avvia il funzionamento automatico.
- 2** PULSANTE STOP
Disabilita il motore/piatto e riporta il braccio in posizione di riposo.
- 3** PULSANTE DI SOLLEVAMENTO DEL BRACCIO
Solleva e abbassa il braccio per consentire la selezione manuale.
- 4** PULSANTE DELLA VELOCITÀ DEL PIATTO
Seleziona la velocità del piatto a 33 giri (verso l'alto) oppure a 45 giri (verso il basso).
- 5** PULSANTE FUNZIONE WIRELESS (con indicatore LED)
Utilizzato per eseguire l'abbinamento iniziale con un dispositivo ricevitore Bluetooth (altoparlanti, cuffie, ricevitore, ecc.) e per avviare o interrompere la trasmissione del segnale wireless.
- 6** SELETTORE DEL FORMATO
Seleziona il formato del disco: a 12" o 7".
- 7** PIATTO
Il piatto di alluminio è montato direttamente al perno centrale/albero motore.
* L'illustrazione mostra il piatto ovale con un tappetino per piatto rotante collocato su di esso.
- 8** PERNO CENTRALE
Perno di centraggio per registrare il posizionamento.
- 9** ADATTATORE PER 45 GIRI (mostrato nella sede)
Adatta dischi da 7" con fori centrali ampi per l'inserimento nel perno centrale.
- 10** CERNIERE DI ANCORAGGIO DEL COPERCHIO ANTIPOLVERE
Punti d'attacco per il coperchio antipolvere incernierato rimovibile.
- 11** COPERCHIO ANTIPOLVERE
- 12** GRUPPO BRACCIO/PORTATESTINA
Il braccio è fissato in modo permanente al portatestina.
- 13** PORTATESTINA
- 14** PUNTINA ("AGO")
- 15** PROTEZIONE DELLA PUNTINA
- 16** SELETTORE DI PREAMPLIFICAZIONE (PHONO/LINE)
(Parte posteriore del giradischi) Utilizzare l'impostazione PHONO per collegarsi all'ingresso phono del proprio impianto stereo domestico mediante il cavo di uscita. Utilizzare LINE (LIVELLO DI LINEA) per il collegamento alle uscite CD/TAPE/AUX del proprio impianto stereo domestico mediante il cavo di uscita.
- 17** USCITA ANALOGICA
Utilizzare questa uscita per collegare il proprio impianto stereo domestico o altoparlanti dotati di alimentazione mediante il mini-connettore stereo da 3,5 mm al cavo di uscita doppio RCA.

Configurazione iniziale

Assemblaggio del giradischi

L'AT-LP60-BT richiede un minimo di assemblaggio prima di essere utilizzato per la prima volta. **IMPORTANTE:** Non collegare il cavo di alimentazione CA fino al completamento dell'assemblaggio.

1. Appoggiare con cautela il piatto del giradischi inserendolo sul perno centrale, in modo da posizionarlo correttamente.
2. Tenendo saldamente entrambe le estremità della linguetta rossa sulla cinghia del giradischi, far passare delicatamente quest'ultima sopra la puleggia del motore in ottone (Fig. 2a). (In caso di distacco della cinghia, rimuovere il piatto del giradischi e reinserire la cinghia, come descritto a pagina 28.)
3. Una volta che la cinghia sia stata inserita nella scanalatura della puleggia, rimuovere con attenzione la linguetta. Assicurarsi di non attorcigliare la cinghia.

(NOTA: se la cinghia non è posizionata correttamente attorno alla puleggia del motore in ottone, il giradischi non funziona. Controllare nuovamente per accertarsi che la cinghia sia posizionata correttamente).

4. Posizionare il tappetino antiscivolo del giradischi sulla superficie del piatto (Fig. 2b).
5. È possibile rimuovere il coperchio antipolvere dotato di cerniere, se lo si desidera. Per rimuovere il coperchio dal giradischi, tenerlo da entrambi i lati, quindi sollevarlo verso l'alto **delicatamente e simultaneamente** (Fig. 2c). Conservare il coperchio in un luogo pulito e sicuro.
6. Per rimontare il coperchio antipolvere, guidare le cerniere all'interno delle due fessure apposite presenti sul retro della struttura del giradischi.

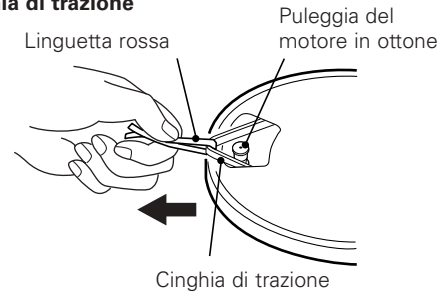
Impostazione del selettore di preamplificazione (PHONO/LINE)

Per aumentare la versatilità di utilizzo, questo giradischi dispone di un preamplificatore fono-stereo interno. Il selettore di preamplificazione (PHONO/LINE) è collocato sulla parte posteriore del giradischi. Se l'impianto stereo utilizzato è dotato di un ingresso PHONO, posizionare il selettore sulla posizione "PHONO". Se l'impianto non dispone di un ingresso PHONO, impostare il selettore di preamplificazione sulla posizione "LINE" e collegare i cavi d'uscita del giradischi all'ingresso AUX o a un altro ingresso a livello elevato dell'impianto stereo (descritto in seguito) (Fig. 3).

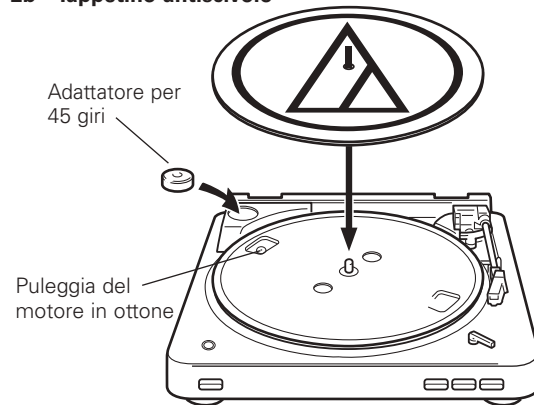
Il selettore di preamplificazione non influisce sul collegamento wireless. È possibile lasciare il selettore in una qualsiasi delle posizioni quando viene collegato il giradischi a un dispositivo ricevitore Bluetooth.

Figura 2 – Assemblaggio del giradischi

2a – Cinghia di trazione



2b – Tappetino antiscivolo



2c – Rimozione del coperchio antipolvere

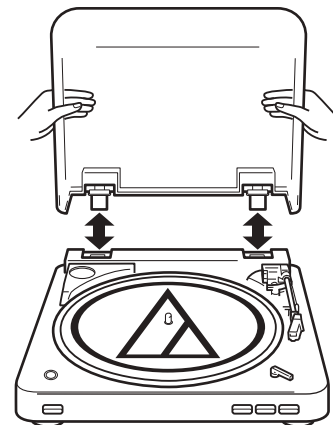
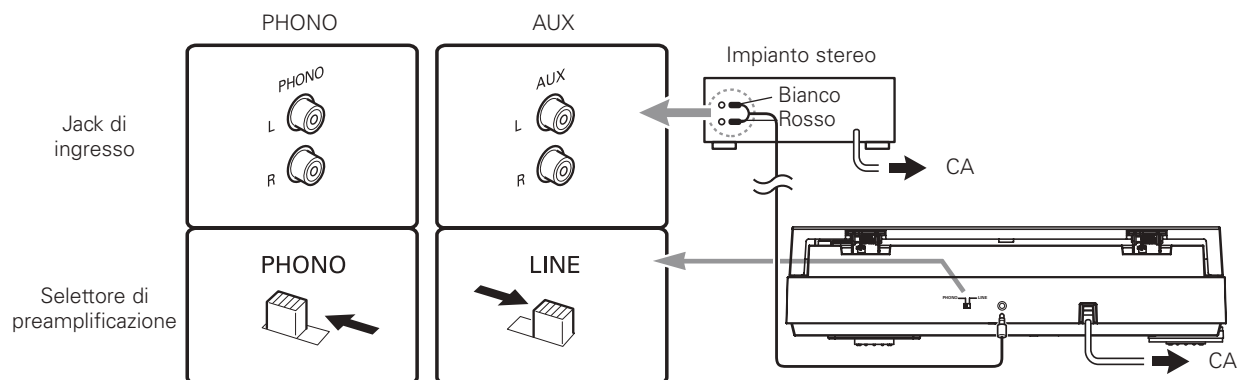


Figura 3



Funzionamento (continua)

Attenzione: quando il braccio raggiunge la fine del disco, si solleva e torna automaticamente alla sede di appoggio. Quando questo accade, **non interferire con il movimento del braccio, perché quest'ultimo potrebbe danneggiarsi.**

Se il braccio non torna automaticamente alla sede di appoggio al termine della riproduzione del disco, è sufficiente premere il pulsante STOP (ARRESTO) per completare l'operazione.

Funzionamento manuale

1. Rimuovere la protezione della puntina dal portatestina (Fig. 4).
2. Posizionare un disco sul giradischi. Se necessario, utilizzare l'adattatore per 45 giri (Fig. 5).
3. Selezionare il formato del disco: a 12" o 7" (Fig. 6).
4. Selezionare la velocità: 33 $\frac{1}{3}$ giri o 45 giri (Fig. 7).
5. Premere il pulsante di sollevamento per sollevare il braccio (Fig. 8c).
6. Muovere delicatamente il braccio in modo che la puntina si trovi in corrispondenza del punto in cui si desidera iniziare la riproduzione del disco.
7. Premere di nuovo il pulsante di sollevamento delicatamente per abbassare il braccio e riprodurre il disco.

Figura 6

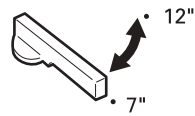


Figura 7

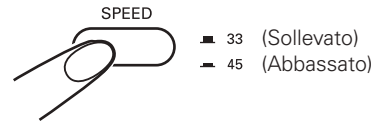
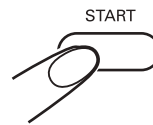
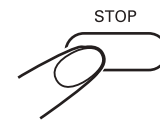


Figura 8

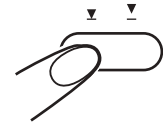
8a



8b



8c



Posizione dell'interruttore:	Sollevato	Abbassato
Azione del braccio di lettura:	Si abbassa	Si solleva

Sostituzione della puntina

Mantenendo il braccio in posizione, ruotare la parte anteriore della testina muovendola in avanti e abbassandola per rimuovere il portatestina (Fig. 9). (Nel rimuovere il portatestina, osservarne la posizione e il metodo di installazione, in modo da semplificare il montaggio del portatestina nuovo.)

Installare il nuovo portatestina come mostrato nelle Fig. 10a/10b, facendo attenzione a non toccare la puntina. Accertarsi **innanzitutto** che la parte posteriore del portatestina sia completamente inserita nel corpo della cartuccia (Fig. 10a) e che l'unità scatti in posizione senza alcun gioco tra il bordo superiore e la parte anteriore della testa del braccio in plastica nera (Fig. 10b). Sostituire la puntina dopo 400 ore di utilizzo.

Per mantenere le prestazioni originali, utilizzare una puntina di sostituzione a marchio Audio-Technica. Verificare la presenza del marchio Audio-Technica (AT) sulla parte anteriore del portatestina e sull'imballaggio.

Figura 9 – Rimozione della puntina

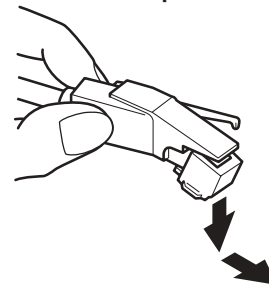
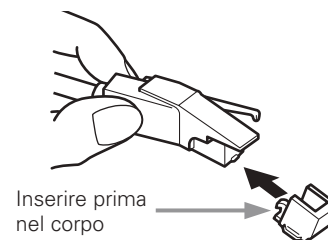
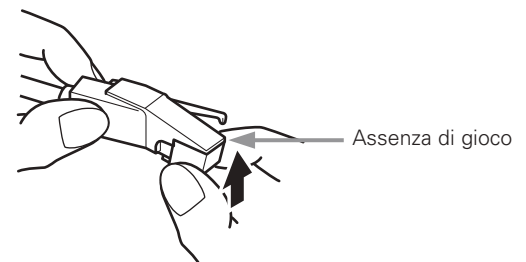


Figura 10 – Installazione di una nuova puntina

10a



10b



Risoluzione dei problemi

Il giradischi non entra in funzione

1. Verificare che il cavo CA del giradischi sia inserito in una presa CA sottotensione.
2. Accertarsi che la cinghia di trazione sia fissata correttamente. (Vedere la Fig. 11.)

A) Rimuovere il tappetino antiscivolo dal piatto del giradischi (Fig. 11a). Riporre il tappetino nel suo imballaggio di cartone per una conservazione ottimale. Attraverso un'apertura nel piatto del giradischi, ispezionare visivamente la cinghia di trazione per verificare che si trovi intorno alla puleggia del motore in ottone (Fig. 11b).

(NOTA: se la cinghia non è posizionata correttamente attorno alla puleggia del motore in ottone, il giradischi non funziona. Controllare nuovamente per accertarsi che la cinghia sia posizionata correttamente).

B) Se la cinghia di trazione non è posizionata attorno alla puleggia del motore in ottone: Sollevare e rimuovere il piatto del giradischi. Posizionare i pollici nelle fessure di sinistra e destra del piatto del giradischi, quindi, esercitando pressione con le dita sulla superficie della struttura del giradischi, estrarre il piatto **verso l'alto** (Fig. 11c). Evitare di esercitare pressione sul braccio.

C) Con il piatto del giradischi rovesciato, posizionare la cinghia lungo la parete esterna del bordo di trazione del piatto, accertandosi che sia liscia e piatta per tutta la sua interezza (Fig. 11d).

D) Riposizionare il piatto del giradischi sul perno centrale, verificando che sia completamente inserito, quindi allineare una delle sue fessure alla posizione della puleggia del motore in ottone.

E) Attraverso l'apertura, agganciare delicatamente la cinghia del giradischi utilizzando un dito della mano o la linguetta rossa originale (**non** utilizzare mai un oggetto appuntito), quindi far passare la cinghia sopra la puleggia del motore in ottone (Fig. 11e). Accertarsi che la cinghia non si attorcigli tra la puleggia e il bordo di trazione del piatto.

F) Riposizionare il tappetino antiscivolo sul piatto.

G) Mantenendo il braccio in posizione di riposo, girare lentamente il piatto con la mano eseguendo 10 giri in senso orario, allo scopo di annullare il ciclo automatico del meccanismo.

Il giradischi funziona ma non si sente alcun suono

1. La protezione della puntina è ancora al suo posto.
2. Il pulsante di sollevamento del braccio è inserito.
3. I comandi dell'amplificatore non sono impostati in modo corretto: l'ingresso selezionato è sbagliato, il tape monitor è acceso, gli altoparlanti sono spenti, ecc.
4. Controllare la puntina nella cartuccia per verificarne il corretto posizionamento. Per la sostituzione della puntina, fare riferimento alle istruzioni a pagina 27.
5. Se è stato eseguito un collegamento a un dispositivo *Bluetooth* accertarsi che il collegamento wireless sia stato condotto in modo corretto. (Vedere pagina 26.)

Il giradischi funziona ma non si sente alcun suono oppure il suono non è sufficiente

1. Se il giradischi è collegato a un ingresso AUX (livello alto): il selettore di preamplificazione potrebbe essere impostato sulla posizione "PHONO" (livello di ingresso phono). Spostare l'interruttore alla posizione "LINE".
2. La potenza di ingresso dell'altoparlante amplificato o di un dispositivo simile potrebbe essere insufficiente.
3. Il portatestina potrebbe non essere completamente inserito nel corpo della cartuccia. (Vedere la Fig. 10 a pagina 27.)

Il suono è molto distorto

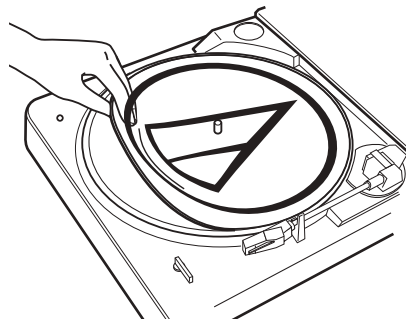
1. Giradischi collegato all'ingresso PHONO di un amplificatore: se il selettore di preamplificazione è impostato sulla posizione "LINE" (Uscita AUX di alto livello), un ingresso phono potrebbe essere sovraccarico.

Il braccio/disco "salta" leggermente

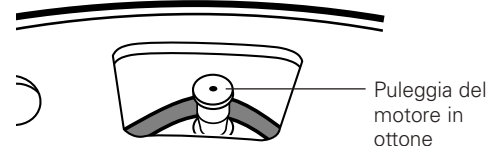
1. Si tratta di una condizione normale, non di un'anomalia. Tuttavia, se è impossibile riprodurre il disco, contattare il rivenditore o il nostro reparto di assistenza. **Assicurarsi che la superficie di appoggio del giradischi non riceva vibrazioni dal pavimento, dalle pareti o dagli altoparlanti vicini.**

Figura 11 – Controllo della cinghia di trazione

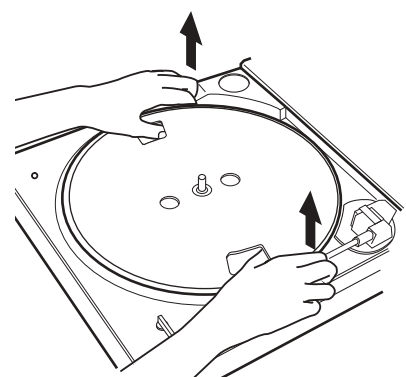
11a



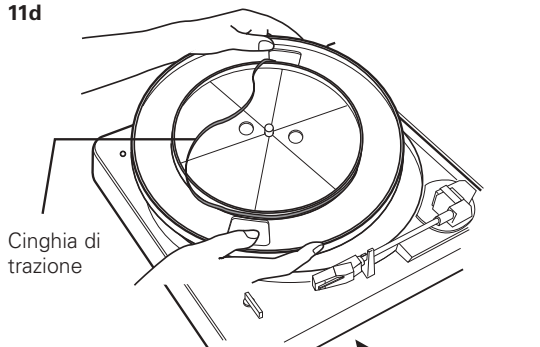
11b



11c

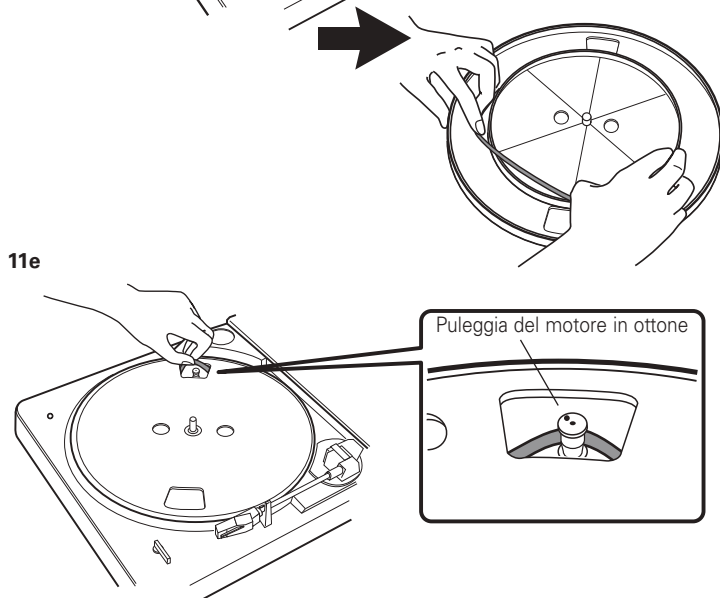


11d



Cinghia di trazione

11e



Suggerimenti per ottenere prestazioni migliori

- Quando si apre o si chiude il coperchio del giradischi è necessario maneggiarlo con delicatezza, tenendolo al centro o da entrambi i lati.
- Non toccare l'estremità della puntina con le dita; evitate di far cadere la puntina sul tappetino del giradischi o sul bordo del disco.
- Pulire la puntina con frequenza, utilizzando uno spazzolino morbido **ed esclusivamente un movimento dal retro in avanti.**
- Se si utilizza un fluido detergente per puntine, impiegarlo **con estrema moderazione.**
- Spolverare il coperchio antipolvere e la struttura del giradischi con un panno morbido. Utilizzare una quantità minima di detergente poco aggressivo per pulire giradischi e coperchio antipolvere.
- Non applicare mai sostanze chimiche aggressive né solventi a nessuna delle parti del sistema del giradischi.
- Prima di spostare il giradischi, scollegarlo sempre dall'uscita CA e bloccare il braccio della puntina nella sua sede di appoggio con l'attacco in vinile.

Specifiche

Sistema di comunicazione	Bluetooth versione 3.0
Uscita	Specifica Bluetooth Power Class 2
Intervallo di comunicazione max	Linea ottica - circa 10 m
Profilo Bluetooth compatibile	A2DP
Codec di supporto	SBC
Tipo	Giradischi con trazione a cinghia, completamente automatico
Piatto	Alluminio
Motore	CC servocomandato
Velocità	33 $\frac{1}{3}$ giri, 45 giri
Wow e flutter	Inferiori a 0,25% (WTD) @ 3 kHz (JIS)
Rapporto segnale-rumore	>50 dB (DIN-B)
Cartuccia	Cartuccia stereo Integral Dual Moving Magnet™ con puntina in diamante
Livello di uscita	
Pre-amp "PHONO"	2,5 mV nominali a 1 kHz, 5 cm/sec
Pre-amp "LINE"	150 mV nominali a 1 kHz, 5 cm/sec
Guadagno pre-amp phono	36 dB nominali, equalizzato RIAA
Alimentazione	220 - 240 V CA, 50/60 Hz, 3W (Europa)
Dimensioni	360,0 mm di larghezza x 97,5 mm di altezza x 356,0 mm di profondità
Peso netto	2,98 kg
Accessori	3,5 mm mini-connettore (maschio) a cavo di uscita stereo RCA doppio (maschio), Adattatore per 45 giri, Coperchio antipolvere incernierato rimovibile
Puntina di ricambio	ATN3600L

- Il marchio e i loghi *Bluetooth* sono di proprietà di Bluetooth SIG, Inc. e il loro utilizzo è concesso in licenza ad Audio-Technica Corporation. Tutti gli altri marchi sono proprietà dei rispettivi titolari.
- Per un miglioramento del prodotto, quest'ultimo è soggetto a modifiche senza preavviso.

Tocadiscos inalámbrico

Introducción

Gracias por comprar el tocadiscos inalámbrico AT-LP60-BT. Audio-Technica ha sido el fabricante líder de productos fonográficos estéreo innovadores durante más de 50 años. Nos complace ofrecerle este tocadiscos, con un excelente rendimiento y muchas prácticas funciones para su disfrute.

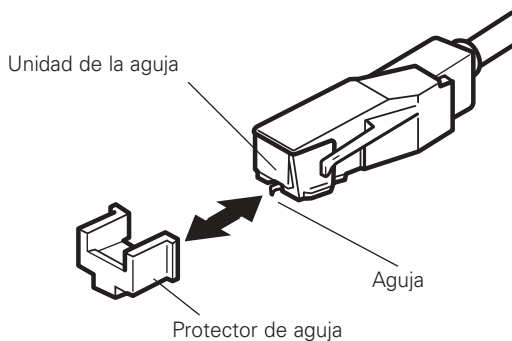
Características del tocadiscos inalámbrico AT-LP60-BT:

- Funcionamiento totalmente automático
- Dos velocidades: 33 $\frac{1}{3}$ RPM y 45 RPM
- Plato de tocadiscos profesional de aluminio
- Cartucho fonográfico con aguja de diamante reemplazable Dual Moving Magnet™ de Audio-Technica
- Función de transmisión *Bluetooth* integrada. Permite el uso del tocadiscos con altavoces, auriculares inalámbricos y otros dispositivos con conectividad *Bluetooth*.
- Preamplificador de nivel fonográfico/de línea estéreo con conmutador integrado. Permite el uso de sistemas estéreo que dispongan de entradas fonográficas magnéticas o "AUX" (nivel de línea), además de con la mayoría de altavoces autoamplificados
- Mecanismo elevador/de entrada amortiguado con mando de control en el panel frontal
- Cubierta antipolvo desmontable

Para garantizar el máximo nivel de satisfacción con este producto, lea la información y siga las instrucciones de este manual. Tenga el manual a mano por si lo necesita en el futuro.

Le recomendamos que guarde todo el material de empaquetado para un posible uso en el futuro: almacenamiento, desplazamiento o envío.

PRECAUCIÓN: Para evitar daños en la aguja, asegúrese de que el protector de aguja incluido está bien colocado cuando instale, desplace o limpie el tocadiscos.



Información importante

Advertencia:

- Para evitar el riesgo de que se produzca un incendio o una descarga eléctrica, no exponga la unidad a la lluvia ni a la humedad.

Precaución:

- No deje que la unidad quede expuesta a goteos o salpicaduras.
- Para evitar que se produzcan descargas eléctricas, no abra la caja de la unidad.
- Dirijase sólo a personal cualificado para reparar la unidad.
- No exponga este aparato al calor excesivo, por ejemplo, por la luz solar, el fuego o fuentes similares.
- No someta este aparato a golpes fuertes.
- La unidad debe estar lo suficientemente cerca de la toma de corriente CA para que se pueda acceder con facilidad al cable de alimentación en cualquier momento.
- En caso de emergencia, desconecte rápidamente el cable de alimentación de la unidad.
- No coloque sobre la unidad ningún objeto que contenga líquido, por ejemplo, un florero.
- Para evitar que se produzcan incendios, no coloque sobre la unidad fuentes de llamas descubiertas (como velas encendidas).
- No instale la unidad en un lugar cerrado como una librería o mobiliario similar.
- Instale la unidad únicamente en un lugar que disponga de una ventilación adecuada.
- Para evitar que se produzcan incendios, no cubra las aberturas de ventilación de la unidad con periódicos, paños, cortinas, etc.

Referencia:

- Desconecte este producto del ordenador si observa algún fallo en el funcionamiento como ruido, humo, olor, calor o algún desperfecto. En tal caso, contacte con su distribuidor local de Audio-Technica.
- No utilice este tocadiscos en un radio de 22 cm de donde se encuentre instalado un marcapasos. Los marcapasos se pueden ver afectados por las ondas de radio de los auriculares.
- No utilice el tocadiscos cerca de un equipo médico. Las ondas de radio pueden afectar los marcapasos y los equipos médicos eléctricos. No utilice este producto en el interior de un centro médico.
- No utilice el tocadiscos cerca de dispositivos de control automáticos tales como puertas o alarmas contra incendio. Las ondas de radio pueden alterar el equipamiento electrónico y provocar accidentes debido a fallos en el funcionamiento.

Utilización simultánea con otros dispositivos

Fallos tales como la interrupción del sonido pueden ser provocados por interferencias de ondas de radio de dispositivos que utilizan la misma banda de frecuencia (2,4 GHz), como auriculares, incluidos los dispositivos habilitados para *Bluetooth*, dispositivos que utilicen una LAN inalámbrica, teléfonos digitales inalámbricos y microondas. Debido a que las ondas de radio del tocadiscos pueden afectar a estos dispositivos, tome las siguientes precauciones:

- Instale los dispositivos que utilicen la misma banda de frecuencia (2,4 GHz) alejados del tocadiscos.

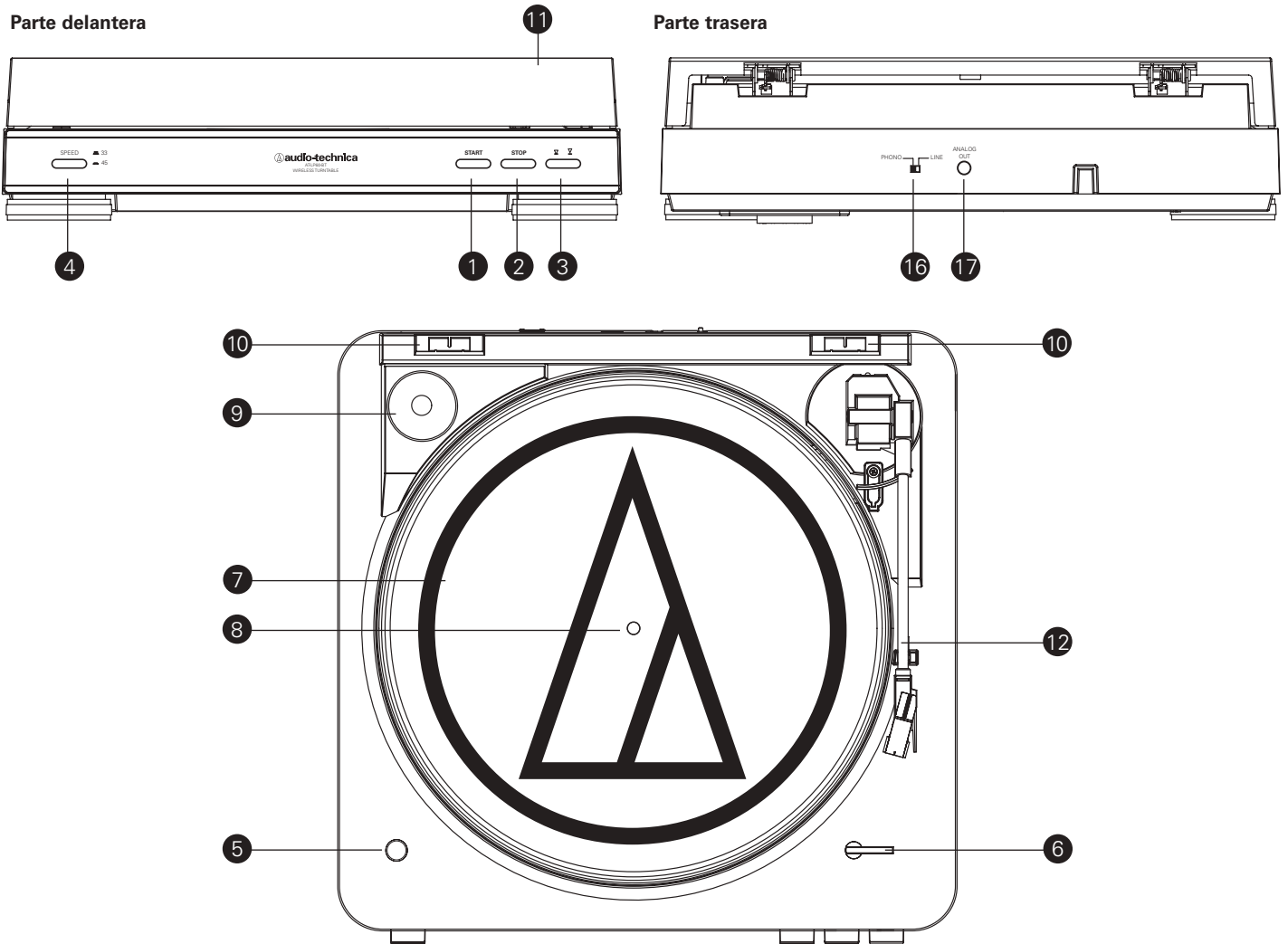
Instrucciones de uso

Cualquier dispositivo conectado al tocadiscos tiene que cumplir con las normas de *Bluetooth* establecidas por Bluetooth SIG y estar certificado.

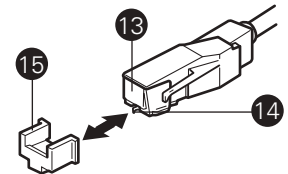
Incluso si el dispositivo cumple con las normas de *Bluetooth*, no se deberá conectar al tocadiscos o el modo de manejo y el funcionamiento pueden diferir dependiendo de las características y especificaciones del dispositivo.

Funciones principales

Figura 1



- 1** BOTÓN START (INICIAR)
Acciona el motor/plato e inicia el funcionamiento automático.
- 2** BOTÓN STOP (PARAR)
Detiene el motor/plato y devuelve el brazo al soporte.
- 3** BOTÓN DE ELEVACIÓN DEL BRAZO DE LECTURA
Sube y baja el brazo de lectura para la selección manual.
- 4** BÓTON SPEED (VELOCIDAD)
Seleccione 33 RPM (botón arriba) o 45 RPM (botón abajo).
- 5** BOTÓN DE FUNCIÓN (con indicador LED)
Se utiliza para el emparejamiento inicial con un dispositivo receptor de *Bluetooth* (altavoces, auriculares, receptores, barras de sonido, etc.) y para parar/iniciar la transmisión de la señal inalámbrica.
- 6** SELECTOR DE TAMAÑO
Seleccione el tamaño del disco: 12" o 7".
- 7** PLATO
El plato de aluminio se monta directamente en el eje central/eje del motor.
* En la ilustración se muestra el plato con la alfombrilla del tocadiscos colocada encima.
- 8** EJE CENTRAL
Eje central para la colocación del disco.
- 9** ADAPTADOR DE 45 RPM (se muestra en el receptáculo)
Adapta discos de 7" con grandes agujeros centrales para que ajusten en el eje central.
- 10** SOPORTES DE LAS BISAGRAS DE LA CUBIERTA ANTIPOLVO
Puntos de unión de la cubierta antipolvo abisagrada desmontable.
- 11** CUBIERTA ANTIPOLVO
- 12** UNIDAD BRAZO DE LECTURA/CABEZAL
El brazo de lectura está unido de forma permanente al cabezal.
- 13** UNIDAD DE LA AGUJA
- 14** AGUJA
- 15** PROTECTOR DE AGUJA
- 16** CONMUTADOR DEL SELECTOR DE PREAMPLIFICADOR: PHONO/LINE (FONO/LÍNEA)
(En la parte trasera del tocadiscos) Utilice PHONO (FONO) cuando conecte el tocadiscos a la entrada fonográfica de su equipo estéreo doméstico con un cable de salida. Utilice LINE (NIVEL DE LÍNEA) cuando conecte el tocadiscos a las entradas CD/TAPE/AUX de su equipo estéreo doméstico con un cable de salida.
- 17** ANALOG OUT (salida analógica)
Utilice esta salida para conectar el tocadiscos a su equipo estéreo o altavoces autoamplificados con el miniconector estéreo incluido de 3,5 mm a RCA dual.



Instalación inicial

Montaje del tocadiscos

Antes de utilizar el ATLP60-BT por primera vez, es necesario realizar algunas tareas de montaje. **IMPORTANTE:** No conecte el cable de alimentación de CA hasta que finalice el montaje.

1. Coloque con cuidado el plato del tocadiscos en el eje central; asegúrese de que queda totalmente encajado.
2. Sujete ambos extremos de la cinta roja sobre la correa del tocadiscos y colóquela con cuidado alrededor de la polea del motor de bronce (Fig. 2a). (Si la correa se sale, retire el plato del tocadiscos y vuelva a colocarla tal y como se describe en la página 35.)
3. Cuando la correa esté encajada en la ranura de la polea, retire con cuidado la cinta. Asegúrese de que la correa no está retorcida.

(NOTA: Si la correa no se coloca correctamente alrededor de la polea del motor, el tocadiscos no funcionará. Asegúrese de que la correa se encuentra correctamente colocada.)

4. Sitúe la estera del tocadiscos en la parte superior del plato (Fig. 2b).
5. Si lo desea, puede retirar la cubierta antipolvo abisagrada. Sujétela por ambos lados y tire hacia arriba **con delicadeza y sin ladearla** para separarla del tocadiscos (Fig. 2c). Guarde la cubierta en un lugar seguro y limpio.
6. Para volver a colocar la cubierta antipolvo, sitúe las bisagras en los dos receptáculos situados en la parte trasera de la carcasa del tocadiscos.

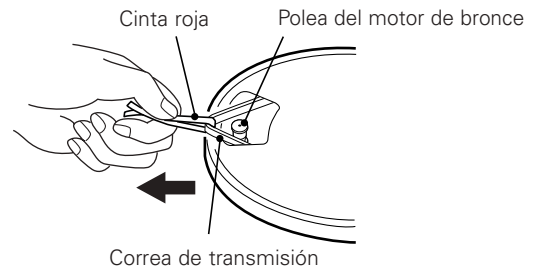
Ajuste del conmutador (PHONO/LINE) de preamplificador

Para aumentar la flexibilidad de uso, este tocadiscos dispone de un preamplificador fonográfico estéreo interno. El conmutador (PHONO/LINE) del selector del preamplificador está situado en la parte trasera del tocadiscos. Si el sistema estéreo que está utilizando dispone de entrada PHONO, sitúe el conmutador del selector de preamplificador en la posición "PHONO" (FONO). Si el sistema estéreo que está utilizando no dispone de una entrada PHONO, sitúe el conmutador del selector de preamplificador en la posición "LINE" (LÍNEA) y conecte los cables de salida del tocadiscos a la entrada AUX (Auxiliar) o a otra entrada de nivel superior de su sistema estéreo (se describe más adelante) (Fig. 3).

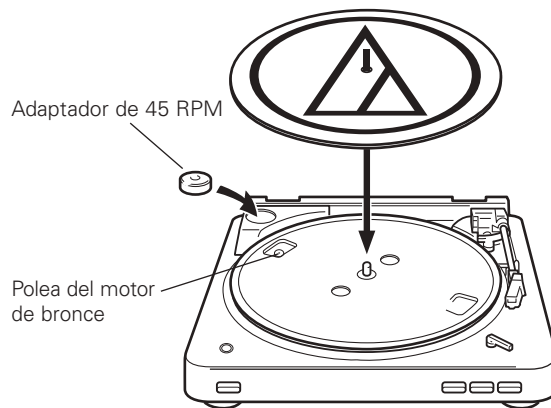
El conmutador del selector del preamplificador no afecta a la conexión inalámbrica. Puede dejar el conmutador en cualquier posición cuando conecte el tocadiscos al receptor *Bluetooth*.

Figura 2 – Montaje del tocadiscos

2a – Correa de transmisión



2b – Estera



2c – Desinstalación de la cubierta antipolvo

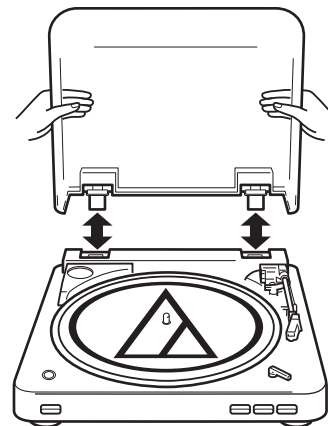
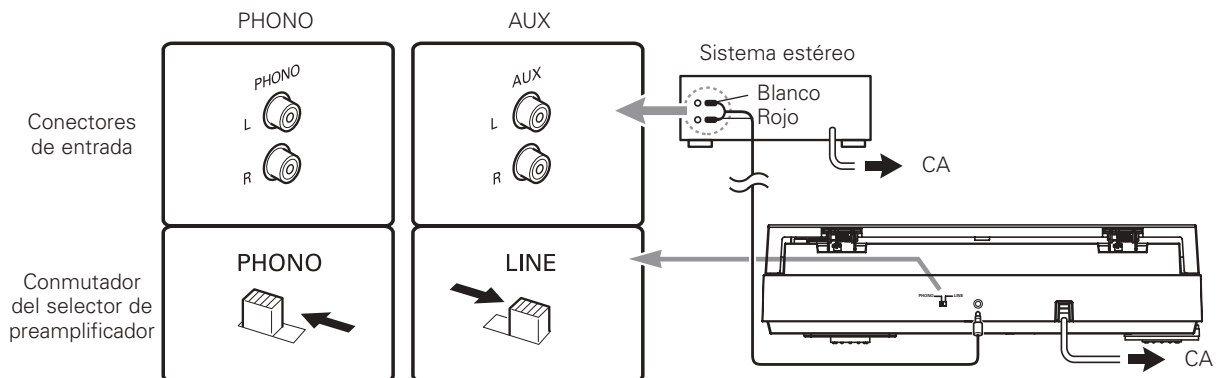


Figura 3



Funcionamiento (continuación)

Precaución: Cuando el brazo de lectura alcanza el final del disco, se levanta y vuelve al soporte de forma automática. En esta situación, **no interfiera con el movimiento del brazo de lectura o podrán producirse daños en el mecanismo.**

Si el brazo de lectura no vuelve automáticamente al soporte una vez finalizada la reproducción del disco, pulse el botón STOP (PARAR).

Funcionamiento manual

1. Retire el protector de aguja de la unidad de la aguja (Fig. 4).
2. Ponga un disco en el tocadiscos. Si fuera necesario, utilice el adaptador de 45 RPM (Fig. 5).
3. Seleccione el tamaño del disco: 12" o 7" (Fig. 6).
4. Seleccione la velocidad: 33 1/3 RPM o 45 RPM (Fig. 7).
5. Pulse el botón de elevación In para levantar el brazo de lectura (Fig. 8c).
6. Desplace suavemente el brazo de lectura de manera que la aguja se sitúe justo sobre el punto del disco donde desea que se inicie la reproducción.
7. Pulse el botón de elevación de nuevo para bajar el brazo de lectura y reproducir el disco.

Figura 6

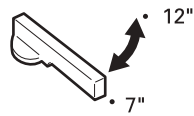


Figura 7

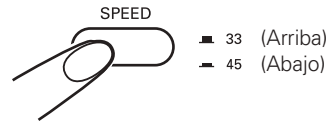
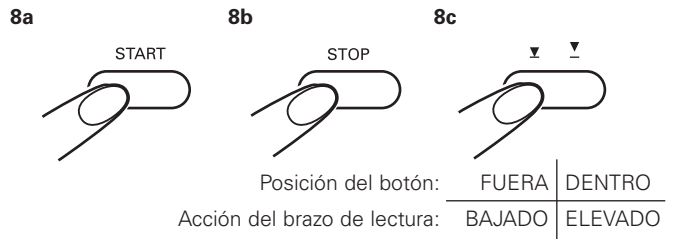


Figura 8



Sustitución de la aguja

Sujete el cabezal del brazo de lectura y gire la parte frontal de la unidad de la aguja con un movimiento hacia delante y hacia abajo hasta retirarla (Fig. 9). (Cuando retire la unidad antigua, fíjese en su posición y observe cómo está instalada; eso le ayudará a instalar la nueva.)

Instale la nueva unidad de la aguja como se muestra en las Fig. 10a/10b, teniendo cuidado de no tocar la propia aguja. **En primer lugar** asegúrese de que el saliente de la parte posterior de la unidad está totalmente encajado en el cuerpo del cartucho (Fig. 10a), y que la unidad entra perfectamente (oír un "clic"), sin que quede ningún espacio entre su borde superior y la parte frontal del cabezal negro de plástico del brazo de lectura (Fig. 10b). Sustituya la aguja tras 400 horas de uso.

Para mantener el rendimiento original, utilice siempre una aguja de repuesto genuina de la marca Audio-Technica. Busque el distintivo de marca registrada de Audio-Technica (AT) en la parte frontal de la unidad de la aguja y en el embalaje.

Figura 9 – Cómo retirar la aguja

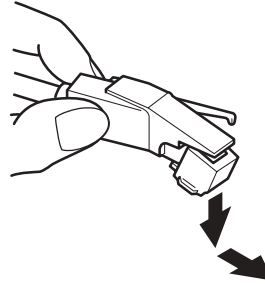
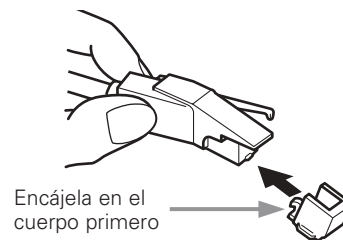
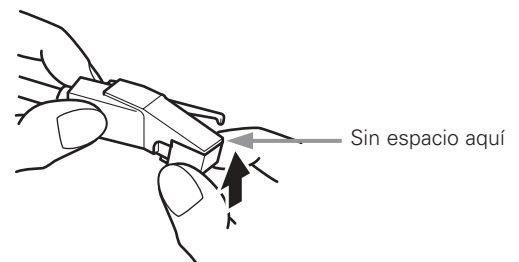


Figura 10 – Instalación de una nueva aguja

10a



10b



Solución de problemas

El tocadiscos no funciona

1. Asegúrese de que el cable de CA del tocadiscos está enchufado en la toma de CA, y que ésta suministra corriente.
2. Compruebe que la correa de transmisión está colocada correctamente. (Véase la Fig. 11.)

A) Retire la estera del plato del tocadiscos (Fig. 11a). Para mantenerla protegida, coloque la estera en la funda del estuche de cartón. Mire a través de uno de los orificios del plato del tocadiscos para comprobar que la correa de transmisión pasa por la polea del motor de bronce (Fig. 11b).

(NOTA: Si la correa no se coloca correctamente alrededor de la polea del motor, el tocadiscos no funcionará. Asegúrese de que la correa se encuentra correctamente colocada.)

B) Si la correa de transmisión no pasa por la polea del motor de bronce: Levante y retire el plato del tocadiscos. Sitúe un pulgar en cada uno de los orificios del plato del tocadiscos y, a continuación, presione con los dedos la superficie de la carcasa del tocadiscos y tire del plato **hacia arriba** (Fig. 11c). Tenga cuidado de no hacer presión sobre el brazo de lectura.

C) Con el plato del tocadiscos boca arriba, coloque la correa a lo largo de la pared exterior del borde del transmisor del plato del tocadiscos y asegúrese de que queda cómodamente alojada y plana por todos lados (Fig. 11d).

D) Vuelva a colocar el plato del tocadiscos en el eje central, de forma que quede bien encajado, y alinee uno de sus orificios con la posición de la polea del motor de bronce.

E) A través del orificio, agarre con cuidado la correa del tocadiscos con un dedo o con la cinta roja original (**nunca** utilice un objeto afilado) y pase la correa por la polea del motor de bronce (Fig. 11e). Compruebe que la correa no queda retorcida entre la polea y el borde del transmisor del plato.

F) Vuelva a colocar la estera sobre el plato.

G) Manteniendo el brazo de lectura en su soporte, gire lentamente el plato con la mano en el sentido de las agujas del reloj al menos diez veces para iniciar el ciclo automático del mecanismo.

El tocadiscos funciona, pero no suena

1. No ha retirado el protector de aguja.
2. El botón de elevación del brazo de lectura está pulsado.
3. Los controles del amplificador están definidos de forma incorrecta: la entrada seleccionada no es correcta, el monitor de cinta está activado, los altavoces desactivados, etc.
4. Compruebe que la aguja del cartucho fonográfico está bien colocada. Consulte las instrucciones para la sustitución de la aguja en la página 34.
5. Si se conecta a un dispositivo *Bluetooth*, asegúrese de que la conexión inalámbrica se ha realizado correctamente. (Consulte la página 33).

El tocadiscos funciona, pero no suena, o lo hace a un volumen bajo

1. Si el tocadiscos está conectado a una entrada AUX (nivel superior), es posible que el conmutador del selector de preamplificador esté en la posición "PHONO" (FONO) (nivel de entrada fonográfica). Coloque el interruptor en la posición "LINE".
2. Puede que la ganancia de entrada del altavoz amplificado o dispositivo similar sea demasiado baja.
3. Es posible que la unidad de la aguja no esté bien encajada en el cuerpo del cartucho. (Véase la Fig. 10 en la página 34)

El sonido está muy distorsionado

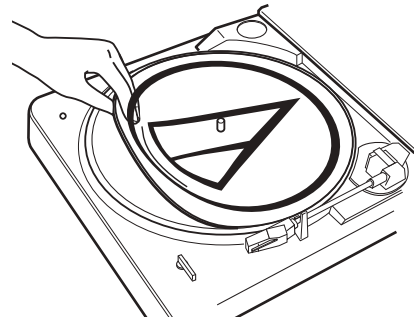
1. El tocadiscos está conectado a la entrada PHONO de un amplificador: si el conmutador del preamplificador está en la posición "LINE" (LÍNEA) (salida de alto nivel AUX), la entrada fonográfica estará sobrecargada.

El tocadiscos se mueve ligeramente arriba y abajo

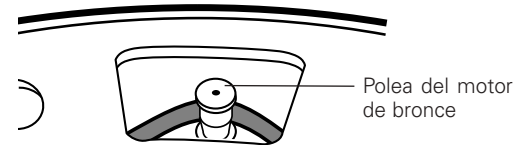
1. Normalmente se trata de un funcionamiento normal y no de un problema. Si por esta causa el tocadiscos no pudiese reproducir el disco correctamente, póngase en contacto con su distribuidor o con nuestro Departamento de Servicio. **Compruebe que la superficie sobre la que reposa el tocadiscos no recoge las vibraciones del suelo o las paredes, o incluso del sonido directo de los altavoces.**

Figura 11 – Comprobación de la correa de transmisión

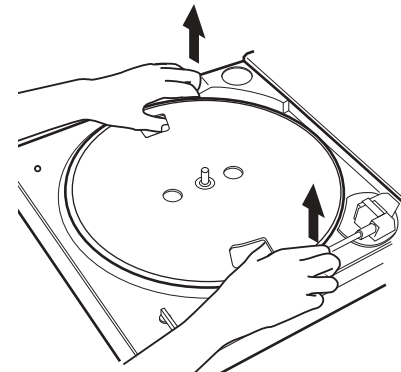
11a



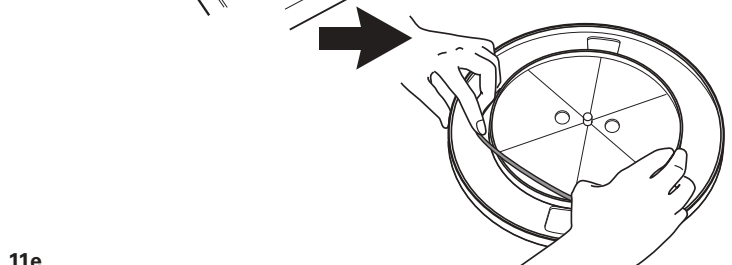
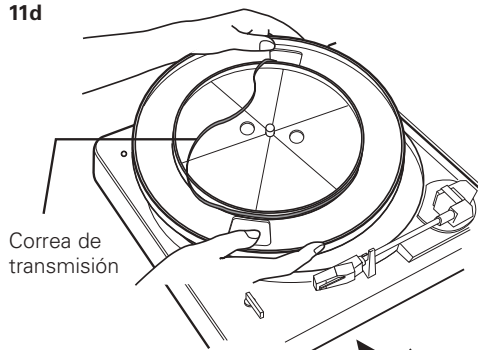
11b



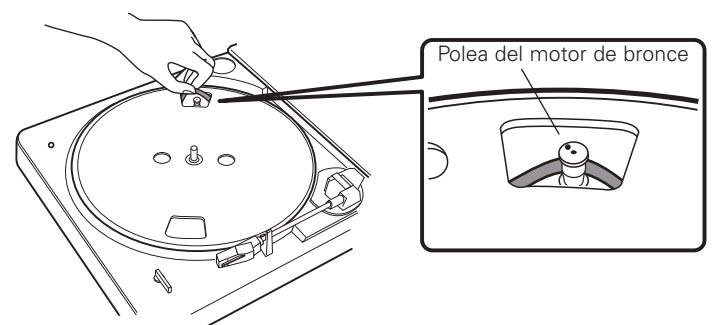
11c



11d



11e



Especificaciones

Consejos para un mejor rendimiento

- Cuando abra o cierre la cubierta del tocadiscos, hágalo con suavidad; desplácela por el centro o de forma homogénea por ambos lados.
- No toque la punta de la aguja con los dedos; evite golpear la aguja contra la estera o contra el borde del disco.
- Limpie la punta de la aguja con frecuencia. Utilice un cepillo suave y realice solamente **movimientos de atrás hacia delante**.
- Si utiliza un líquido de limpieza de agujas, hágalo **en cantidades mínimas**.
- Limpie la cubierta antipolvo y la carcasa del tocadiscos con cuidado y utilice un paño suave. Utilice sólo pequeñas cantidades de solución detergente suave para limpiar el tocadiscos y la cubierta antipolvo.
- No aplique nunca productos químicos ni disolventes fuertes a ninguno de los componentes del sistema tocadiscos.
- Antes de desplazar el tocadiscos, desenchúfelo siempre de la toma de CA y fije el brazo de lectura al soporte con el amarre de vinilo.

Especificaciones

Sistema de comunicación	Bluetooth Versión 3,0
Salida	Especificación Bluetooth Power Class 2
Alcance de comunicación máximo	Línea de visibilidad: aproximadamente 10 m
Perfil de Bluetooth compatible	A2DP
Códec compatible	SBC
Tipo	Tocadiscos de transmisión por correa, completamente automático
Plato	Aluminio
Motor	Servocontrolado de CC
Velocidades	33 1/3 RPM, 45 RPM
Loro y trémolo	Menos del 0,25 % (WTD) @ 3 kHz (JIS)
Relación señal/ruido	>50 dB (DIN-B)
Cartucho	Cartucho estéreo Integral Dual Moving Magnet™ con agujas de diamante
Nivel de salida	
Preamplificador "PHONO" (FONO)	2,5 mV nominal a 1 kHz, 5 cm/seg
Preamplificador "LINE" (LÍNEA)	150 mV nominal a 1 kHz, 5 cm/seg
Ganancia del preamplificador phono	36 dB nominal, RIAA ecualizado
Alimentación	220 a 240 V AC, 50/60 Hz, 3 W (Europa)
Dimensiones	360,0 mm ancho x 97,5 mm alto x 356,0 mm profundidad
Peso neto	2,98 kg
Accesorios	Miniconector (macho) de 3,5 mm a RCA dual estéreo (macho), Adaptador de 45 RPM, Cubierta antipolvo abisagrada desmontable
Aguja de repuesto	ATN3600L

- La marca y los logotipos de Bluetooth son propiedad de Bluetooth SIG, Inc. El uso de tales marcas por parte de Audio-Technica Corporation es bajo licencia. Todas las demás marcas registradas son propiedad de sus respectivos propietarios.
- Con el fin de la mejora del producto, el producto esta sujeto a modificaciones sin previo aviso.

Vitrola sem fio

Introdução

Obrigado por comprar a vitrola sem fio AT-LP60-BT. A Audio-Technica é fabricante líder de produtos fonográficos estéreo inovadores há mais de 50 anos. Temos o prazer de fornecer esta vitrola, com desempenho excelente e muitos recursos convenientes para a sua diversão.

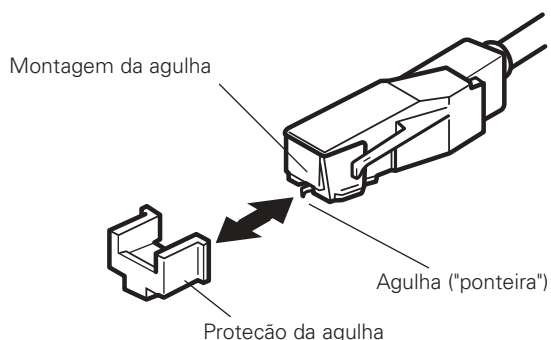
A vitrola sem fio AT-LP60-BT apresenta:

- Operação completamente automática
- Duas velocidades: 33 $\frac{1}{3}$ RPM e 45 RPM
- Bandeja de alumínio profissional
- Cápsula fonocaptora Integral Audio-Technica Dual Moving Magnet™ com agulha substituível
- Função de transmissão *Bluetooth* embutida. Permite o uso da vitrola com alto-falantes, fones de ouvido e outros dispositivos sem fio com a tecnologia *Bluetooth*® sem fio.
- Pré-amplificador interno comutável estéreo com entrada de nível fono/de linha. Permite o uso da vitrola com sistemas estéreo de entrada magnética/fono ou "AUX" (nível de linha); também permite o uso conveniente da vitrola com a maioria dos alto-falantes com fio
- Mecanismo de levantamento umedecido/entrada com controle do painel frontal
- Proteção contra pó removível

Para garantir satisfação máxima com este produto, leia as informações e siga as instruções apresentadas neste manual. Mantenha o manual em um local acessível para referência futura.

Sugerimos que você salve todos os materiais de embalagem para possível armazenamento, mudança ou envio futuros.

CUIDADO: Para evitar danos à agulha, certifique-se de que a proteção da agulha esteja no local correto sempre que instalar, mover ou limpar a vitrola.



Informações importantes

Advertência:

- Para prevenir o perigo de incêndio ou choque elétrico, não exponha a unidade a chuva ou humidade.

Precauções:

- Não exponha este aparelho a gotejamento ou salpicos.
- Para evitar a ocorrência de um choque elétrico, não abra a caixa.
- Todas as reparações devem ser realizadas por pessoal qualificado.
- Não exponha este aparelho a calor excessivo, como luz solar, fogo, etc.
- Não sujeite este aparelho a impactos fortes.
- O aparelho deve estar suficientemente perto da tomada de CA, para que possa desligar facilmente a ficha do cabo de alimentação em qualquer altura.
- Em caso de emergência, desligue rapidamente a ficha do cabo de alimentação do aparelho.
- Não coloque objectos cheios de líquidos, como jarras, em cima do aparelho.
- Para evitar o perigo de incêndio, não coloque nenhuma fonte de chama livre (p. ex., velas acesas) sobre o aparelho.
- Não instale este aparelho num espaço reduzido, como uma estante ou algo semelhante.
- Para instalar este aparelho, escolha um local bem ventilado.
- Para evitar o perigo de incêndio, não tape a ventilação do aparelho com jornais, toalhas de mesa, cortinados, etc.

Referência:

- Desconecte este produto do computador se encontrar algum defeito como ruído, fumaça, odor, aquecimento ou danos no produto. Neste caso, entre em contato com o revendedor local da Audio-Technica.
- Não utilize a vitrola a menos de 22 cm de onde um marca-passo tiver sido instalado. Os marca-passos podem ser afetados pelas ondas de rádio da vitrola.
- Não utilize a vitrola próxima de equipamentos médicos. As ondas radiofônicas podem afetar equipamentos eletrônicos médicos e marca-passos. Não utilize o produto dentro de instalações médicas.
- Não utilize a vitrola próxima a dispositivos de controle automático, como portas automáticas e alarmes contra incêndio. As ondas radiofônicas podem afetar os equipamentos elétricos e causar acidentes devido a avarias.

Uso simultâneo com outros dispositivos

Pode causada uma falha, como a interrupção do som, pela interferência de ondas de rádio de dispositivos que usam a mesma banda de frequência (2,4 GHz) da vitrola, incluindo dispositivos com tecnologia *Bluetooth* sem fios, dispositivos que usam uma rede LAN sem fio, telefones digitais sem fio e fornos de micro-ondas. Do mesmo modo, como as ondas radiofônicas da vitrola podem afetar estes dispositivos, tome as seguintes precauções:

- Instale os dispositivos utilizando a mesma faixa de frequência (2,4 GHz) distantes da vitrola.

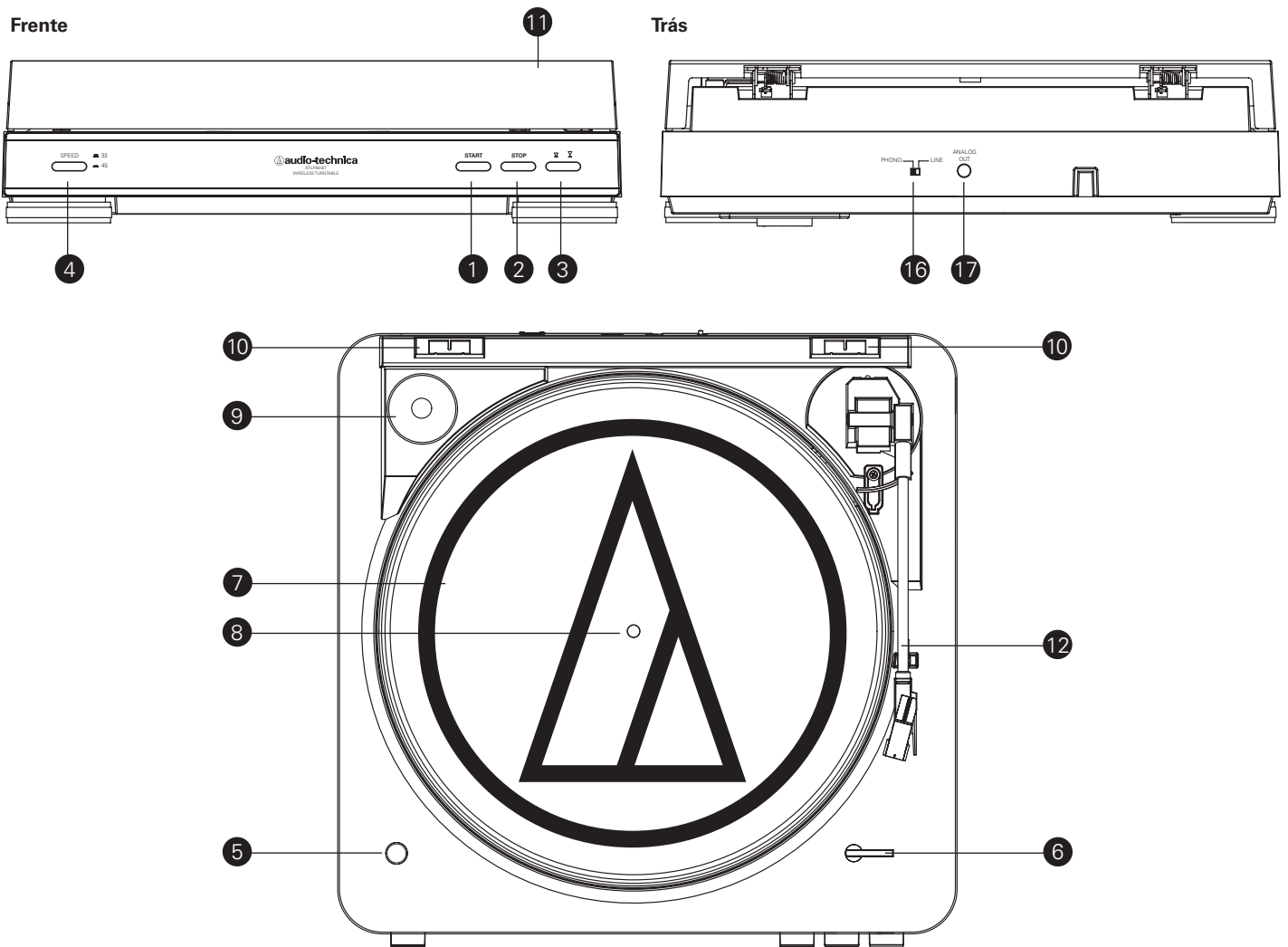
Instruções de uso

Qualquer dispositivo conectado à vitrola precisa cumprir com os padrões de *Bluetooth* estabelecidos pela Bluetooth SIG e ser certificado.

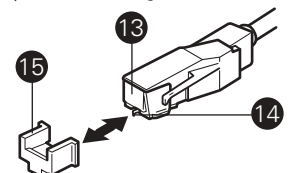
Mesmo se o dispositivo satisfizer os padrões de *Bluetooth*, ele pode não se conectar à vitrola ou ao método operacional e o comportamento pode variar, dependendo das características e especificações do dispositivo.

Principais recursos

Figura 1



- ❶ BOTÃO START (INICIAR)
Engrena o motor/a bandeja e começa a operação automática.
- ❷ BOTÃO STOP (PARAR)
Desliga o motor/a bandeja e volta o braço para a posição de pausa..
- ❸ BOTÃO TONE ARM LIFT (LEVANTAR BRAÇO)
Levanta e abaixa o braço para seleção manual.
- ❹ BOTÃO PLATTER SPEED (VELOCIDADE DA BANDEJA)
Seleciona a velocidade da bandeja para 33 RPM (botão na posição alta) ou 45 RPM (botão na posição baixa).
- ❺ BOTÃO DE FUNÇÃO SEM FIO (com LED indicador)
Use para realizar o emparelhamento inicial com um dispositivo receptor *Bluetooth* (alto-falantes, fones de ouvido, receptor, soundbar, etc.) e para iniciar/parar a transmissão do sinal sem fio.
- ❻ SELETOR DE TAMANHO
Selecione o tamanho do álbum: 12" ou 7".
- ❼ BANDEJA
A bandeja de alumínio é montada diretamente no eixo central/eixo do motor.
* A ilustração mostra a bandeja com o prato da vitrola colocado em cima dela.
- ❽ EIXO CENTRAL
Pino de centragem para posicionamento do disco.
- ❾ ADAPTADOR DE 45 RPM (mostrado no recipiente)
Adapta álbuns de 7" com orifícios grandes para ficarem adequados ao eixo central.
- ❿ SUPORTES DAS DOBRADIÇAS DA PROTEÇÃO CONTRA PÓ
Pontos de fixação para a proteção contra pó com dobradiças removível.
- ⓫ PROTEÇÃO CONTRA PÓ
- ⓬ MONTAGEM DO BRAÇO/CABEÇOTE
O braço é permanentemente acoplado ao cabeçote.
- ⓭ MONTAGEM DA AGULHA
- ⓮ AGULHA ("PONTEIRA")
- ⓯ PROTEÇÃO DA AGULHA
- ⓶ CHAVE SELETORA DO PRÉ-AMPLIFICADOR (FONO/LINHA)
(Na parte de trás da vitrola) Use a configuração PHONO ao conectar à entrada fono de seu sistema estéreo através do cabo de saída. Use o nível LINE (de linha) ao conectar a entradas de CD/TAPE/AUX de seu sistema estéreo através do cabo de saída.
- ⓷ SAÍDA ANALÓGICA
Utilize esta saída para conectar seu estéreo ou alto-falantes com fio através do mini-plugue de 3,5 mm incluído a um cabo de saída RCA duplo.



Configuração inicial

Montagem da vitrola

A vitrola AT-LP60-BT requer montagem antes do primeiro uso.

IMPORTANTE: Não conecte o cabo de alimentação CA até que a montagem esteja concluída.

1. Coloque a bandeja da vitrola cuidadosamente no eixo central, certificando-se de que a bandeja esteja completamente acomodada ao eixo.
2. Ao segurar as duas extremidades da fita vermelha na correia da vitrola, encoste cuidadosamente a correia na polia do motor de bronze (Fig. 2a). (Se a correia cair, remova a bandeja da vitrola e coloque-a de volta, conforme descrito na página 42.)
3. Quando a correia estiver posicionada no sulco da polia, remova cuidadosamente a fita. Certifique-se de que a correia não esteja torcida.

(NOTA: Se a correia não estiver posicionada corretamente ao redor da polia do motor de bronze, a vitrola não funcionará. Verifique duas vezes para garantir que a correia esteja posicionada corretamente.)

4. Coloque o prato da vitrola em cima da bandeja (Fig. 2b).
5. Se desejar, a proteção contra pó giratória pode ser removida. Segure os dois lados da proteção contra pó e puxe a proteção contra pó para cima **de forma cuidadosa e uniforme** para desprendê-la da vitrola (Fig. 2c). Mantenha-a em um local seguro e limpo.
6. Para recolocá-la, coloque as duas dobradiças em seus recipientes localizados na parte de trás da vitrola.

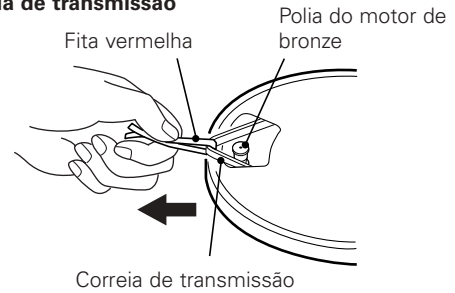
Configuração da chave seletora do pré-amplificador (PHONO/LINE)

Para aumentar a flexibilidade de uso, esta vitrola tem um pré-amplificador fono estéreo interno. A chave seletora do pré-amplificador (PHONO/LINE) está localizada na parte de trás da vitrola. Se o sistema estéreo que você estiver utilizando tiver uma entrada FONO, configure a chave seletora na posição "PHONO". Caso seu sistema estéreo não tenha a entrada FONO, configure a chave seletora na posição "LINE" (linha) e conecte os cabos de saída da vitrola em AUX ou outra entrada de alto nível em seu sistema estéreo (descrito posteriormente) (Fig. 3).

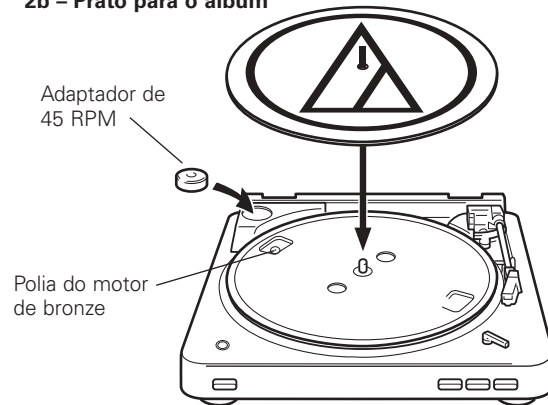
A chave seletora do pré-amplificador não afeta a conexão sem fio. É possível deixar a chave em qualquer posição ao conectar a vitrola a um dispositivo receptor *Bluetooth*.

Figura 2 – Montagem da vitrola

2a – Correia de transmissão



2b – Prato para o álbum



2c – Remoção da proteção contra pó

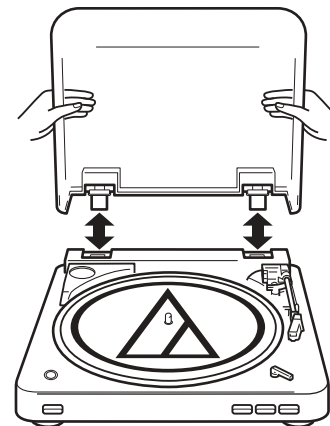
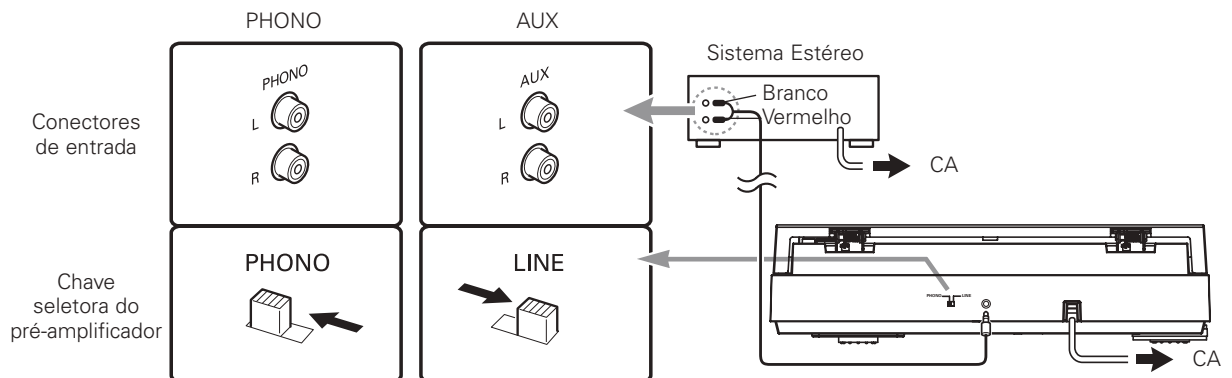


Figura 3



Operação (continuação)

Cuidado: Quando o braço chegar ao final do álbum, ele levantará e retornará ao seu suporte automaticamente. Quando isso acontece, **não interfira no movimento do braço, ou o mecanismo poderá ser danificado.**

Se o braço não voltar automaticamente ao suporte após o final da reprodução do álbum, simplesmente pressione o botão STOP para concluir a operação.

Operação manual

1. Remova a proteção da agulha (Fig. 4).
2. Coloque um álbum na vitrola. Se necessário, utilize o adaptador de 45 RPM (Fig. 5).
3. Selecione o tamanho do álbum: 12" ou 7" (Fig. 6).
4. Selecione a velocidade: 33 $\frac{1}{3}$ RPM ou 45 RPM (Fig. 7).
5. Pressione o botão Lift para levantar o braço (Fig. 8c).
6. Mova gentilmente o braço para que a agulha esteja acima do ponto do álbum onde deseja que a reprodução comece.
7. Pressione o botão Lift novamente para abaixar cuidadosamente o braço e reproduzir o álbum.

Figura 6

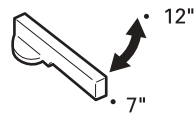


Figura 7

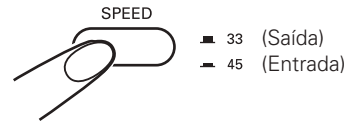
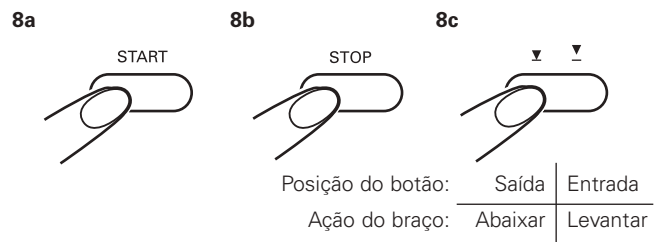


Figura 8



Substituição da agulha

Ao segurar o cabeçote do braço, gire a parte da frente da agulha em um movimento para frente e para baixo, para removê-la (Fig. 9). (Ao remover a agulha antiga, observe sua posição e "sensação", para auxiliar a instalação adequada de uma nova.)

Instale a nova agulha conforme mostrado nas Fig. 10a/10b, tomando cuidado para não encostar na agulha. Certifique-se de que a projeção na parte de trás da montagem esteja completamente acomodada na cápsula **primeiro** (Fig. 10a) e que a montagem faça um "clique" quando estiver posicionada, sem espaço entre a extremidade superior e a parte da frente do cabeçote plástico preto do braço (Fig. 10b). Substitua a agulha após 400 horas de uso.

Para manter seu desempenho original, substitua por uma agulha genuína Audio-Technica. Procure a marca da Audio-Technica (AT) na parte da frente da agulha e na embalagem.

Figura 9 – Remoção da agulha

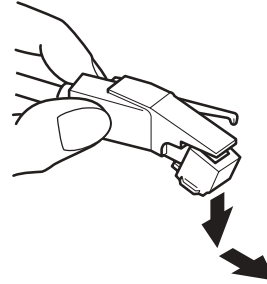
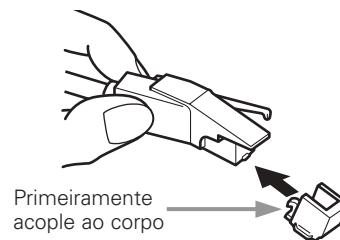
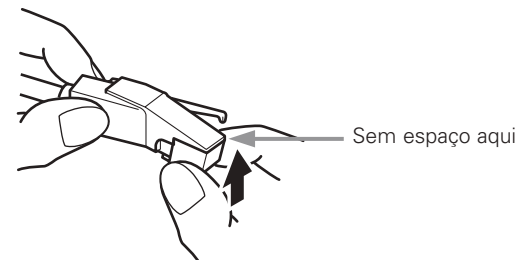


Figura 10 – Instalação da nova agulha

10a



10b



Solução de problemas

Vitrola não funciona

1. Certifique-se de que o cabo CA da vitrola esteja conectado a uma saída CA e de que a saída CA esteja "ativo".
2. Verifique a correia de transmissão para certificar-se de que está ligada corretamente. (Ver Fig. 11.)

A) Remova o prato para álbum da bandeja (Fig. 11a). Coloque o prato na embalagem de cartolina para manter. Através de uma abertura na bandeja da vitrola, inspecione visualmente se a correia de transmissão está ao redor da polia do motor de bronze (Fig. 11b).

(NOTA: Se a correia não estiver posicionada corretamente ao redor da polia do motor de bronze, a vitrola não funcionará. Verifique duas vezes para garantir que a correia esteja posicionada corretamente.)

B) Se a correia de transmissão não estiver ao redor da polia do motor de bronze: Levante e remova a bandeja da vitrola. Coloque os polegares nas aberturas da esquerda e da direita da bandeja; e, utilizando os dedos para pressionar a superfície da vitrola para baixo, puxe a bandeja **para cima** (Fig. 11c). Evite pressionar o braço.

C) Com a o lado inferior da bandeja virado para cima, coloque a correia na parede externa da extremidade da bandeja, certificando-se de que a correia esteja uniforme e plana em toda a volta (Fig. 11d).

D) Coloque a bandeja de volta no eixo central, certifique-se de que esteja completamente acomodada e alinhe uma das aberturas na posição da polia do motor de bronze.

E) Através da abertura, enganche cuidadosamente a correia da vitrola com um dedo ou com a fita vermelha original (nunca use um objeto pontiagudo) e encoste a correia na polia do motor de bronze (Fig. 11e). Certifique-se de que a correia não esteja torcida entre a polia e a extremidade da bandeja.

F) Coloque o prato na bandeja.

G) Ao manter o braço na suporte, gire lentamente a bandeja com a mão, no sentido horário, pelo menos por 10 rotações, para liberar o ciclo automático do mecanismo.

A vitrola funciona, mas não há som

1. A proteção da agulha ainda está no lugar.
2. O botão Lift do braço está pressionado.
3. Controles do amplificador configurados incorretamente: entrada errada selecionada, monitor de fita ligado, alto-falantes desligados, etc.
4. Verifique a agulha na cápsula fono para posicionamento correto. Consulte as instruções para substituição da agulha na página 41.
5. Ao conectar a um dispositivo *Bluetooth*, certifique-se de que a conexão sem fio tenha sido realizada corretamente. (Ver página 40.)

A vitrola funciona, mas sem som, ou o som não é alto o suficiente

1. Se a vitrola está conectada a uma entrada AUX (alto nível): A chave seletora do pré-amplificador pode ser configurada para a posição "PHONO" (nível de entrada fono). Mova a chave seletora para a posição "LINE" (Linha).
2. O ganho de entrada do alto-falante amplificado ou dispositivo semelhante pode ser muito baixo.
3. A agulha pode não estar completamente acomodada na cápsula. (Ver Fig. 10 na página 41.)

O som está muito distorcido

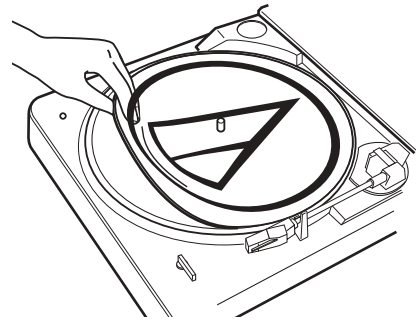
1. Vitrola conectada a uma entrada PHONO do amplificador: Se a chave seletora do pré-amplificador estiver na posição "LINE" (saída AUX de alto nível), uma entrada fono estará sobrecarregado.

O álbum/braço moverá levemente para cima e para baixo

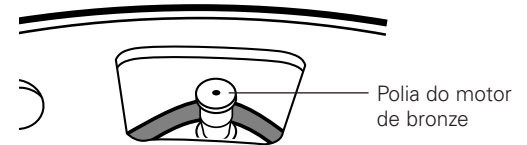
1. Geralmente esta é uma condição normal e não um problema. Se isso fizer com que a vitrola não reproduza o álbum, entre em contato com o revendedor ou departamento de atendimento. **Verifique se a superfície sobre a qual a vitrola está não recebe vibrações do solo ou das paredes, ou diretamente do som do alto-falante.**

Figura 11 – Verificação da correia de transmissão

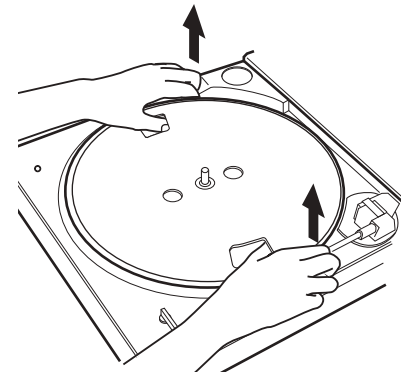
11a



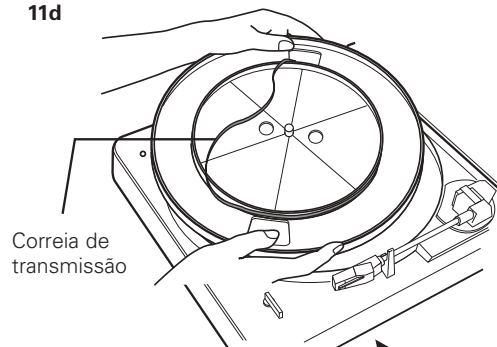
11b



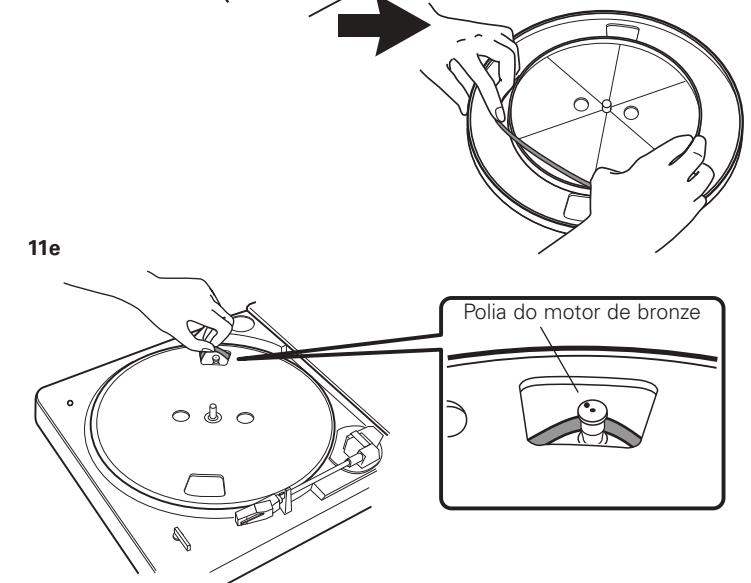
11c



11d



11e



Especificações

Dicas para melhor desempenho

- Ao abrir ou fechar a tampa da vitrola, faça-o com cuidado, movendo no centro ou igualmente nas laterais.
- Não toque na ponta da agulha com os dedos; evite bater a agulha no prato da vitrola ou nas extremidades de um álbum.
- Limpe a ponta da agulha frequentemente, utilizando um pincel suave **com um movimento de trás para frente apenas.**
- Se você utilizar um fluido de limpeza de agulha, use **bem pouco.**
- Limpe a proteção contra pó e a vitrola cuidadosamente, com um pano macio. Use apenas uma pequena quantidade de solução de detergente neutro para limpar a vitrola e a proteção contra pó.
- Nunca aplique produtos químicos ou solventes agressivos em nenhuma parte do sistema de toca-discos.
- Antes de mover a vitrola, desconecte-a da saída CA e fixe o braço em seu suporte com a peça de vinil.

Especificações

Sistema de comunicação	Bluetooth Ver. 3.0
Saída	Bluetooth Especificação Energia Classe 2
Máximo alcance de comunicação	Linha de visão - aprox. 10 m
Perfil de Bluetooth compatível	A2DP
Codec suportado	SBC
Tipo	Vitrola com correia, completamente automática
Bandeja	Alumínio
Motor	CC servo-controlado
Velocidades	33 $\frac{1}{3}$ RPM, 45 RPM
Distorções na qualidade do som	Inferior a 0,25% (WTD) @ 3 kHz (JIS)
Relação sinal-ruído	>50 dB (DIN-B)
Cápsula	Cápsula estéreo Integral Dual Moving Magnet™ com agulha de diamante
Nível de saída	
Pré-amplificador "FONO"	2,5 mV nominal a 1 kHz, 5 cm/s
Pré-amplificador "LINHA"	150 mV nominal a 1 kHz, 5 cm/s
Ganho do pré-amplificador fono	36 dB nominal, equalizado de acordo com a RIAA
Potência	220 a 240V 50/60 Hz, 3W (Europa)
Dimensões	360,0 mm Largura x 97,5 mm Altura x 356,0 mm Profundidade
Peso líquido	2,98 kg
Acessórios	Mini-plugue de 3,5 mm (macho) para cabo de saída estéreo RCA duplo (macho), Adaptador de 45 RPM, Proteção contra pó com dobradiça removível
Agulha de substituição	ATN3600L

- A marca nominal e os logotipos de Bluetooth são propriedade da Bluetooth SIG, Inc. e o uso destas marcas pela Audio-Technica Corporation está sob licença. Todas as outras marcas registradas são propriedade de seus respectivos proprietários.
- Para o melhoramento do produto, o produto esta sujeito a modificacoes sem aviso previo.

Беспроводный проигрыватель грампластинок

Введение

Благодарим вас за приобретение беспроводного проигрывателя грампластинок AT-LP60-BT. Audio-Technica более 50 лет остается ведущим производителем инновационной стереофонографической продукции. Мы с удовольствием представляем этот проигрыватель, который обладает отличными характеристиками, отличается множеством особенностей, повышающих удобство использования, и доставит вам истинное удовольствие.

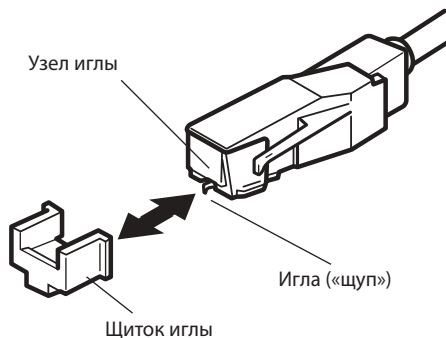
Особенности беспроводного проигрывателя грампластинок AT-LP60-BT:

- Полностью автоматический режим работы
- Две скорости: 33¹/₃ об/мин и 45 об/мин
- Диск проигрывателя профессионального класса из алюминиевого сплава
- Головка звукоснимателя Integral Audio-Technica Dual Moving Magnet™ со сменной алмазной иглой
- Встроенный блок приемопередатчика Bluetooth. Позволяет использовать проигрыватель грампластинок с беспроводными акустическими системами, наушниками и другими устройствами с беспроводной технологией Bluetooth®.
- Встроенный переключаемый стереофонический/линейный предусилитель уровня. Допускает использование проигрывателя со стереосистемами, оснащенными входами либо для магнитных звукоснимателей либо «AUX» входами (линейными входами); также делает удобным использование проигрывателя с большинством активных акустических систем
- Задемпфированный механизм подъема/опускания иглы, управляемый с передней панели
- Съемная пылезащитная крышка

Чтобы гарантировать максимальное удовлетворение от использования этого изделия, пожалуйста, прочтите все сведения, представленные в данном руководстве, и следуйте приведенным в нем инструкциям. Пожалуйста, храните руководство в доступном месте, чтобы в будущем использовать его для справки.

Мы полагаем, что вы сохраните все упаковочные материалы для возможного в будущем хранения, перемещения или транспортировки.

ОСТОРОЖНО: Во избежание повреждения иглы следите за тем, чтобы входящий в комплект щиток для иглы был надет в процессе установки, перемещения или очистки проигрывателя.



Важная информация

Предупреждение:

- Во избежание возгорания или удара электрическим током не допускайте попадания дождя или иной влаги на этот аппарат.

Предостережение:

- Не допускайте попадания капель или брызг на аппарат.
- Во избежание удара электрическим током не открывайте корпус.
- Обслуживание должно осуществляться только квалифицированными специалистами.
- Не подвергайте данное устройство воздействию чрезмерного тепла, например, от солнечных лучей, огня и т. п.
- Не подвергайте устройство сильным ударам.
- Аппарат необходимо установить рядом с электрической розеткой таким образом, чтобы можно было легко получить доступ к штепселю шнура питания.
- В случае аварийной ситуации быстро отсоедините штепсель шнура питания данного аппарата.
- Не ставьте на аппарат емкости, наполненные жидкостью (например, вазы).
- Во избежание возгорания не размещайте на аппарате источники открытого огня (например, горящие свечи).
- Не устанавливайте аппарат в замкнутом пространстве (например, в книжном шкафу или другом аналогичном месте).
- Выбирайте для установки аппарата только места с хорошей вентиляцией.
- Во избежание возгорания не закрывайте вентиляционные отверстия на аппарате газетами, скатертями, шторами и пр.

Дату производства данного изделия можно определить по цифрам 1&2 (год производства) и 3&4 (неделя производства) серийного номера, приведенного на этикетке с номинальным напряжением, прикрепленной к проигрывателю.

Рекомендации:

- При появлении каких-либо признаков неисправности вроде шума, дыма, запаха, тепловыделения или повреждения данного изделия отсоедините его от компьютера. В подобной ситуации обратитесь к местному дилеру Audio-Technica.
- Не используйте проигрыватель на расстоянии менее 22 см от кардиостимулятора. На кардиостимуляторы могут влиять радиоволны проигрывателя грампластинок.
- Не используйте проигрыватель вблизи медицинского оборудования. Работа кардиостимуляторов и электронного медицинского оборудования может быть нарушена радиосигналами. Не используйте проигрыватель в медицинских учреждениях.
- Не используйте проигрыватель вблизи устройств, автоматического управления, например дверями или пожарной сигнализацией. Работа электронного оборудования может быть нарушена радиосигналами, что может стать причиной аварий вследствие сбоев.

Одновременное использование с другими устройствами

Неполадка, например, прерывание звука, может быть вызвана влиянием радиоволн от устройств, которые используют такую же частоту (2,4 ГГц), как и проигрыватель грампластинок, включая устройства с беспроводной технологией Bluetooth, устройства, использующие беспроводную локальную сеть, цифровую беспроводную телефонию и микроволны. И наоборот, поскольку радиосигналы проигрывателя могут нарушать работу подобных устройств, предпринимайте следующие меры предосторожности:
- Устанавливайте устройства, работающие в том же самом частотном диапазоне (2,4 ГГц) подальше от проигрывателя.

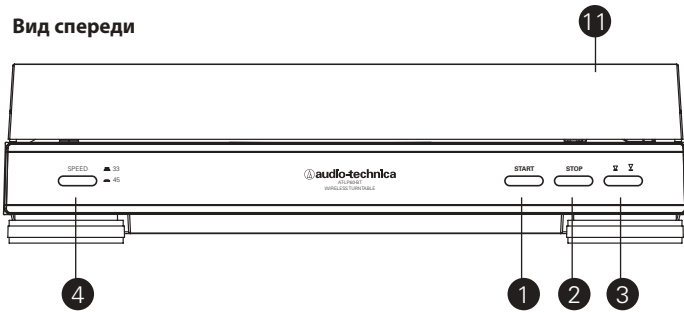
Инструкции по эксплуатации

Любое подключаемое к этому проигрывателю устройство должно отвечать требованиям стандартов Bluetooth, установленных группой Bluetooth SIG, и быть сертифицированным. Даже если то или иное устройство отвечает требованиям стандартов Bluetooth, его характеристики и спецификации могут не обеспечивать соединения с проигрывателем, а также корректного управления и функционирования.

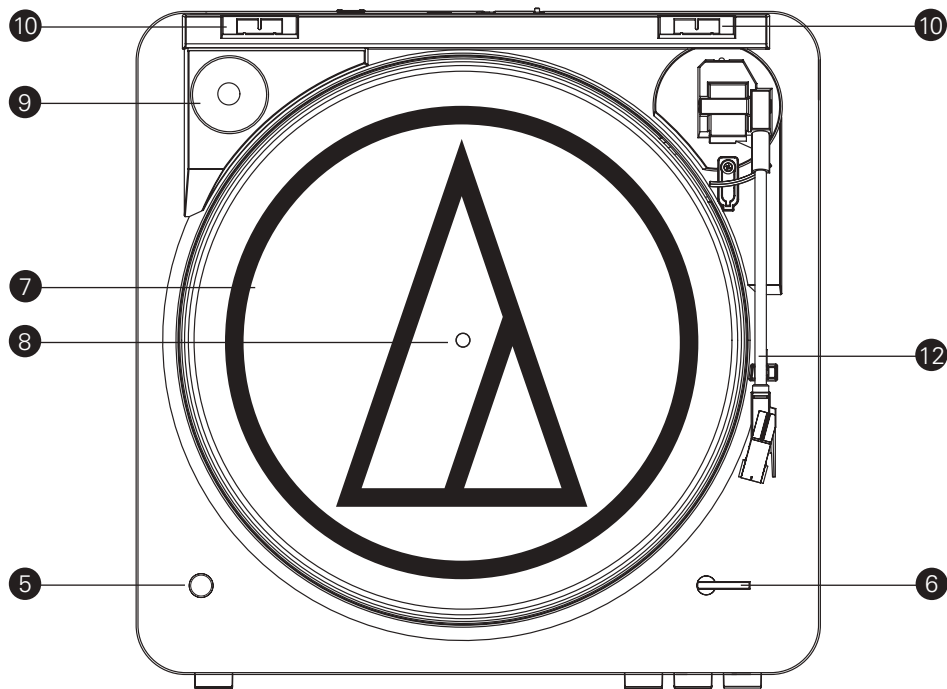
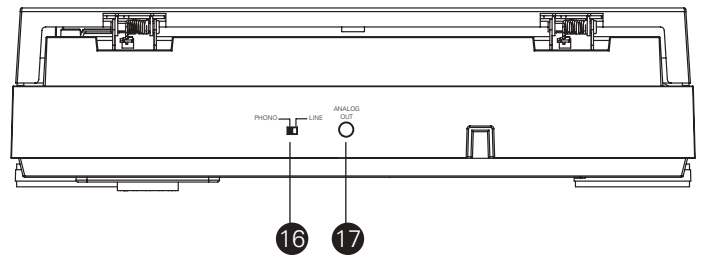
Основные особенности

Рисунок 1

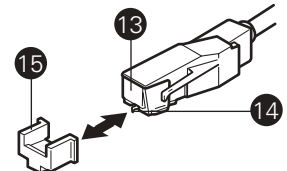
Вид спереди



Вид сзади



- 1** КНОПКА START (ПУСК)
Служит для запуска двигателя/диска и включения автоматического режима работы.
- 2** КНОПКА STOP (ОСТАНОВКА)
Служит для выключения двигателя/диска и возврата рычага звукоснимателя на подставку.
- 3** КНОПКА ПОДЪЕМА ЗВУКОСНИМАТЕЛЯ
Служит для подъема и опускания рычага звукоснимателя в ручном режиме.
- 4** КНОПКА ВЫБОРА СКОРОСТИ ДИСКА
Служит для выбора частоты вращения диска: 33 об/мин (кнопка выступает) или 45 об/мин (кнопка утоплена).
- 5** КНОПКА БЕСПРОВОДНОЙ ФУНКЦИИ (со светодиодным индикатором)
Используется для первоначального сопряжения с приемным устройством *Bluetooth* (динамики, наушники, ресивер, музыкальный центр и т.д.) и для запуска/остановки передачи беспроводного сигнала.
- 6** СЕЛЕКТОР РАЗМЕРА
Служит для выбора размера пластинки: 12" или 7".
- 7** ДИСК ПРОИГРЫВАТЕЛЯ
Алюминиевый диск устанавливается непосредственно на центральном шпинделе поверх вала электродвигателя.
* На рисунке показан диск с помещенным сверху на нем ковриком проигрывателя грампластинок.
- 8** ЦЕНТРАЛЬНЫЙ ШПИНДЕЛЬ
Центральный шпиндель для размещения грампластинок.
- 9** АДАПТЕР НА 45 ОБ/МИН (показан в гнезде)
Служит для установки на центральный шпиндель пластинок на 7" с большим центральным отверстием.
- 10** ДЕРЖАТЕЛИ ПЕТЕЛЬ ПЫЛЕЗАЩИТНОЙ КРЫШКИ
Точки крепления съемной пылезащитной крышки.
- 11** ПЫЛЕЗАЩИТНАЯ КРЫШКА
- 12** РЫЧАГ И ГОЛОВКА ЗВУКОСНИМАТЕЛЯ
Несъемная головка звукоснимателя прикреплена к рычагу.
- 13** УЗЕЛ ИГЛЫ
- 14** ИГЛА («ЩУП»)
- 15** ЩИТОК ИГЛЫ
- 16** СЕЛЕКТОР ПРЕДУСИЛИТЕЛЯ (ЗВУКОСНИМАТЕЛЬ/ЛИНЕЙНЫЙ ВЫХОД)
(Сзади проигрывателя) Переключите в положение «PHONO» (звукосниматель) при использовании кабельного подключения к входу для звукоснимателя вашей стереосистемы. Переключите в положение «LINE» (линейный выход), если вы используете кабельное подключение к входам CD/TAPE/AUX (компакт-диск/магнитофон/линейный) вашей стереосистемы.
- 17** АНАЛОГОВЫЙ ВЫХОД
Воспользуйтесь этим выходом для подключения к стереосистеме или активным акустическим системам с помощью прилагаемого кабеля со стереостекером на 3,5 мм и двумя разъемами RCA.



Первоначальная установка

Сборка проигрывателя

Для осуществления первоначальной установки проигрывателя грампластинок AT-LP60-BT необходимы соответствующие принадлежности. **ВАЖНО:** Не подсоединяйте шнур питания переменного тока до тех пор, пока не будет завершена сборка.

1. Осторожно установите диск проигрывателя по центру шпинделя, проследив за тем, чтобы диск полностью сел на шпиндель.
2. Удерживая за оба конца красную ленту на приводном ремне проигрывателя, осторожно натяните приводной ремень на латунный шкив электродвигателя (рис. 2а). (В случае падения приводного ремня, снимите диск проигрывателя и наденьте приводной ремень, как описано на стр. 49.)
3. После того как приводной ремень сядет в паз шкива, осторожно извлеките ленту. Следите за тем, чтобы ремень не перекручивался.

(ПРИМЕЧАНИЕ: В случае неправильного расположения ремня вокруг латунного шкива электродвигателя проигрыватель грампластинок не будет работать. Выполните повторную проверку, чтобы убедиться в правильности расположения ремня.)

4. Положите сверху диска проигрывателя коврик для пластинок (рис. 2б).
5. При желании можно снять с петель пылезащитную крышку. Удерживая пылезащитную крышку с двух сторон, **осторожно и равномерно** потяните ее вверх, чтобы отсоединить ее от проигрывателя (рис. 2с). Храните крышку в защищенном чистом месте.
6. Для установки пылезащитной крышки вставьте петли крышки в два гнезда, расположенные на задней части корпуса проигрывателя.

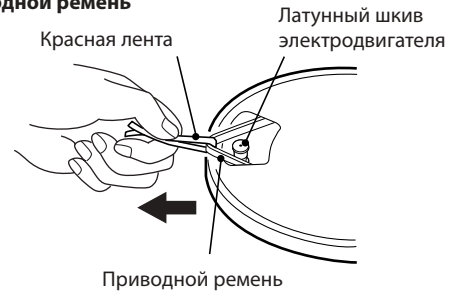
Выбор положения селектора предусилителя (PHONO/LINE)

Для повышения гибкости использования этот проигрыватель оснащен встроенным стереофоническим предусилителем. Селектор предусилителя (PHONO/LINE) расположен сзади проигрывателя. Если в используемой вами стереосистеме имеется вход PHONO (звукосниматель), установите селектор предусилителя в положение «PHONO». Если в вашей стереосистеме нет входа PHONO, установите селектор предусилителя в положение «LINE» (линейный выход) и подключите выходные кабели проигрывателя к входу AUX (линейный вход) или другому входу высокого уровня вашей стереосистемы (описано далее) (рис. 3).

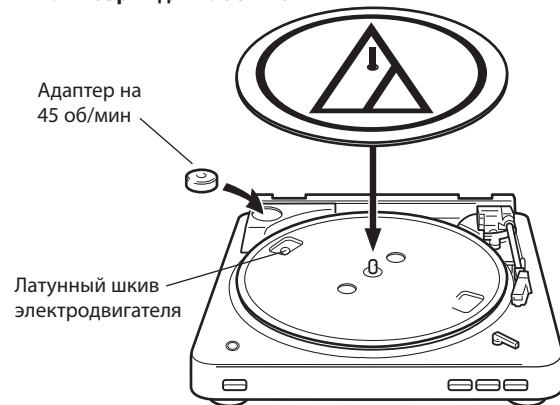
Положение селектора предусилителя не влияет на беспроводное подключение. При подключении проигрывателя к приемному устройству с использованием интерфейса *Bluetooth* можно оставить селектор в любом положении.

Рисунок 2 – Сборка проигрывателя

2а – Приводной ремень



2б – Коврик для пластинок



2с – Снятие пылезащитной крышки

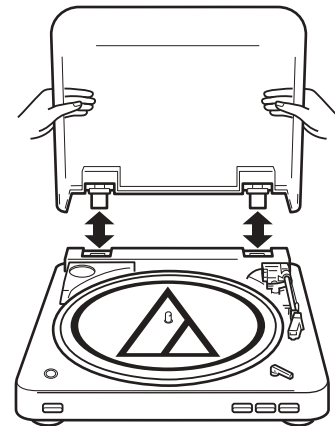
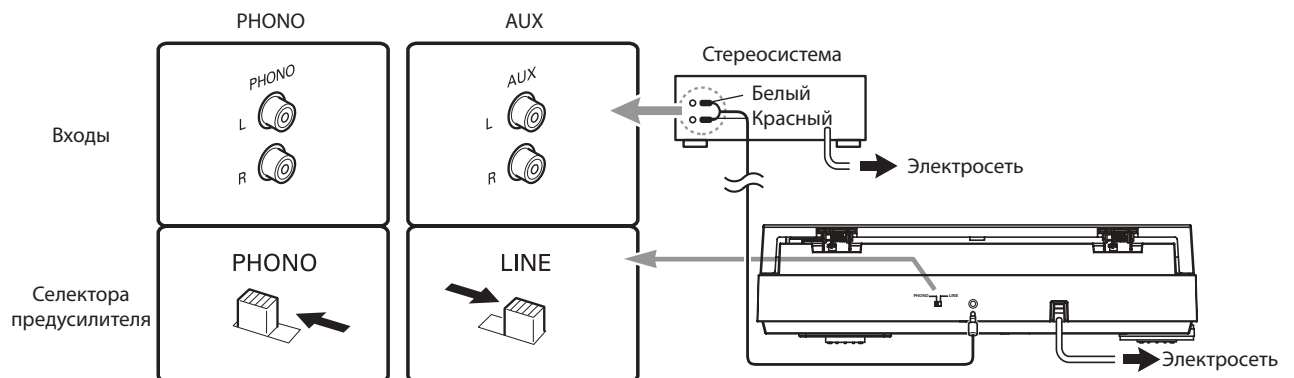


Рисунок 3



Эксплуатация (продолжение)

Осторожно: По достижении конца пластинки рычаг звукоснимателя поднимается и возвращается на подставку звукоснимателя автоматически. Когда это происходит, **не создавайте помех движению рычага звукоснимателя, иначе возможно повреждение механизма.**

Если по достижении конца пластинки рычаг звукоснимателя не возвращается на подставку автоматически, просто нажмите кнопку STOP (Остановка), чтобы завершить работу.

Ручной режим работы

1. Снимите с узла иглы щиток для иглы (рис. 4).
2. Положите на диск пластинку. При необходимости используйте адаптер на 45 об/мин (рис. 5).
3. Выберите размер пластинки: 12" или 7" (рис. 6).
4. Выберите скорость: 33 1/3 об/мин или 45 об/мин (рис. 7).
5. Нажмите кнопку подъема, чтобы поднять рычаг звукоснимателя (рис. 8с).
6. Осторожно переместите рычаг звукоснимателя в положение, где игла будет находиться над местом, с которого вы желаете начать воспроизведение.
7. Нажмите кнопку подъема снова, чтобы осторожно опустить рычаг звукоснимателя и начать воспроизведение пластинки.

Рисунок 6

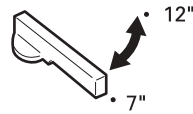


Рисунок 7

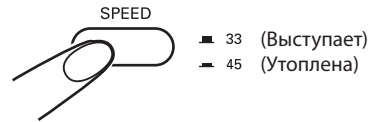


Рисунок 8



Замена иглы

Взявшись за головку на рычаге звукоснимателя, поворачивайте переднюю часть узла иглы вперед и потяните вниз, чтобы извлечь его (рис. 9). (Извлекая старый узел, запомните его положение и «ощущения», чтобы затем должным образом вставить новый узел.)

Установите новый узел иглы, как показано на рис. 10a/10b, соблюдая осторожность и не касаясь самой иглы. Проследите за тем, чтобы выступ в задней части узла иглы **сначала** полностью вошел в корпус головки звукоснимателя (рис. 10a), и чтобы затем узел зафиксировался на месте со «щелчком» без зазора между его верхней кромкой и передней черной пластмассовой частью головки звукоснимателя (рис. 10b). Заменяйте иглу через 400 часов использования.

Для обеспечения исходных характеристик используйте для замены только запасные иглы марки Audio-Technica. Спереди узла иглы и на упаковке должен быть нанесен товарный знак Audio-Technica (Ⓐ).

Рисунок 9 – Снятие иглы

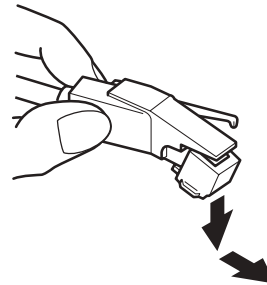
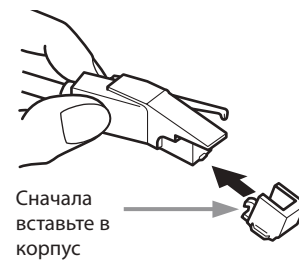
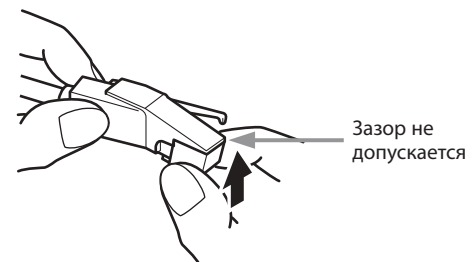


Рисунок 10 – Установка новой иглы

10a



10b



Устранение неполадок

Проигрыватель не работает

1. Убедитесь в том, что кабель электропитания вставлен в розетку, и что розетка функционирует.
2. Проверьте, должным ли образом установлен приводной ремень. (См. рис. 11)

A) Снимите с диска проигрывателя коврик для пластинок (рис. 11a). Поместите коврик в картонный упаковочный рукав для защиты в процессе хранения. Через отверстие в диске проигрывателя посмотрите, надет ли приводной ремень на латунный шкив электродвигателя (рис. 11b).

(ПРИМЕЧАНИЕ: В случае неправильного расположения ремня вокруг латунного шкива электродвигателя проигрыватель грампластинок не будет работать. Выполните повторную проверку, чтобы убедиться в правильности расположения ремня.)

B) Если приводной ремень не надет на латунный шкив электродвигателя: Поднимите и снимите диск проигрывателя. Вставьте большие пальцы в отверстия слева и справа на диске проигрывателя и, надавив остальными пальцами на поверхность корпуса проигрывателя, потяните **диск вверх** (рис. 11c). Избегайте нажима на рычаг звукоснимателя.

C) Перевернув диск проигрывателя нижней стороной вверх, наденьте ремень на приводной шкив диска проигрывателя, проследив за тем, чтобы ремень равномерно и плоско прилегал к наружной поверхности шкива (рис. 11d).

D) Установите диск проигрывателя обратно, проследив, чтобы он полностью сел на центральный шпindel, и расположите одно из отверстий над латунным шкивом электродвигателя.

E) Через отверстие осторожно захватите приводной ремень пальцем или с помощью красной ленты из комплекта поставки (**не** применяйте острых предметов) и наденьте ремень на латунный шкив электродвигателя (рис. 11e). Проследите за тем, чтобы приводной ремень не был перекручен между ведущим шкивом двигателя и ведомым шкивом диска.

F) Положите коврик для пластинок обратно на диск.

G) Удерживая рычаг звукоснимателя на подставке, медленно поверните диск от руки по часовой стрелке, по крайней мере, на 10 оборотов, чтобы обеспечить согласованную работу автоматического механизма.

Проигрыватель запускается, но отсутствует звук

1. Не снят щиток иглы звукоснимателя.
2. Не нажата кнопка подъема рычага звукоснимателя.
3. Неверно выбраны настройки усилителя: выбран неверный вход, включен монитор ленты, выключена акустическая система и т.п.
4. Проверьте, правильно ли расположена игла на картридже звукоснимателя. Обратитесь к инструкциям по замене иглы на стр. 48.
5. Если используется подключение к устройству *Bluetooth*, проверьте, правильно ли функционирует система беспроводной связи. (См. стр. 47)

Проигрыватель работает, но отсутствует звук, или его громкость недостаточна

1. Если проигрыватель соединен с линейным входом AUX (высокого уровня): Селектор предусилителя может быть установлен в положение "PHONO" (входной уровень для звукоснимателя). Переместите переключатель в положение "LINE".
2. Уровень усиления сигнала, подаваемого на активные акустические системы или аналогичное устройство, может быть слишком низким.
3. Не обеспечена правильная посадка узла иглы в корпусе картриджа. (См. рис. 10 на стр. 48.)

Сильные искажения звука

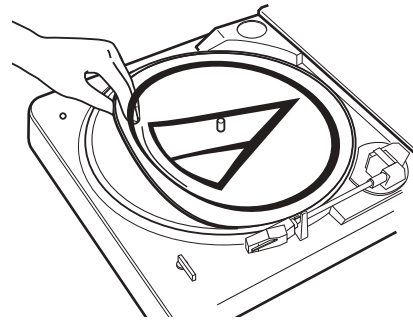
1. Проигрыватель подключен к входу PHONO (звукосниматель) усилителя: Если селектор предусилителя установлен в положение «LINE» (выходной сигнал высокого уровня для линейного входа AUX), входные цепи усилителя сигнала звукоснимателя будут перегружены.

Пластинка/рычаг звукоснимателя слегка перемещается вверх и вниз

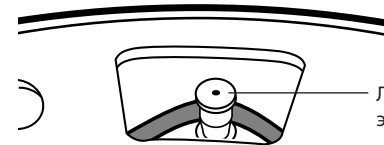
1. Обычно это является нормой и не создает проблем. Если эти явления мешают корректному перемещению пластинки относительно звукоснимателя, пожалуйста, обратитесь к своему дилеру или в наш отдел сервиса. **Проследите за тем, чтобы на поверхность, где установлен проигрыватель, не передавались вибрации от пола или стен, или же непосредственно от акустических систем.**

Рисунок 11 – Проверка приводного ремня

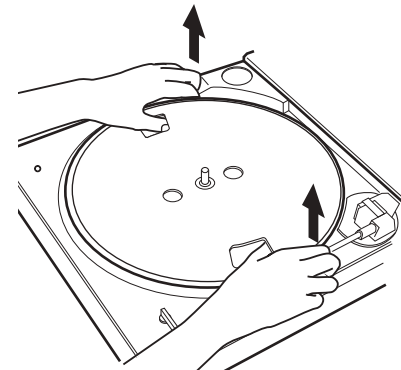
11a



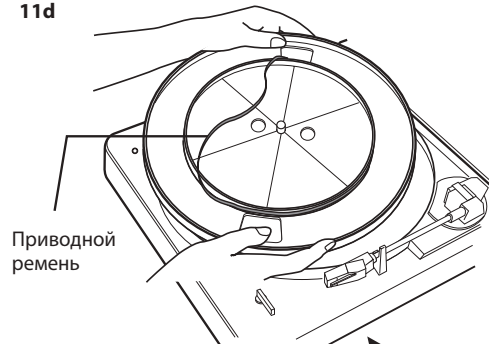
11b



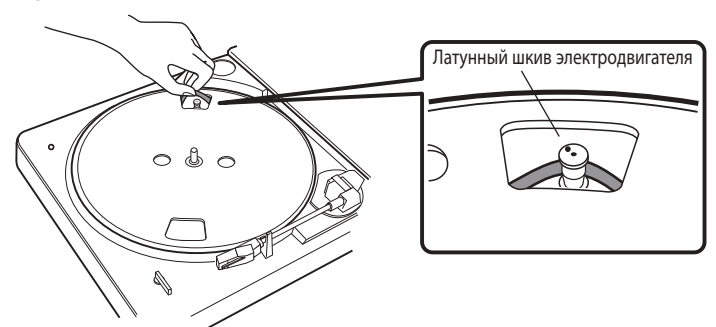
11c



11d



11e



Технические характеристики

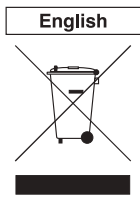
Рекомендации по обеспечению наилучших характеристик

- Открывая и закрывая крышку проигрывателя, обращайтесь с ней с осторожностью, перемещая ее по центру или равномерно с двух сторон.
- Не касайтесь кончика иглы пальцами; избегайте соударений иглы с ковриком для пластинки или с краем пластинки.
- Регулярно очищайте иглу с помощью мягкой щеточки **только с использованием движения в направлении с тыльной стороны вперед**.
- При использовании жидкости для чистки иглы применяйте ее в **исключительно малых количествах**.
- Осторожно протирайте пылезащитную крышку и корпус проигрывателя мягкой салфеткой. Для очистки проигрывателя и пылезащитной крышки применяйте лишь небольшие количества слабого моющего средства.
- Никогда не применяйте ни к каким частям проигрывателя сильных химических средств или растворителей.
- Прежде чем перемещать проигрыватель, обязательно отключите его от сетевой розетки и пристегните рычаг звукоснимателя к подставке с помощью виниловой застёжки.

Технические характеристики

Система связи	Bluetooth, вер. 3.0
Выход	спецификации Bluetooth, класс энергопотребления 2
Максимальный радиус связи	в поле зрения – прибл. 10 м
Совместимость с профилем Bluetooth	A2DP
Поддерживаемый кодек	SBC
Тип	Проигрыватель грампластинок с ременным приводом, полностью автоматический
Диск проигрывателя	алюминий
Электродвигатель	постоянного тока с сервоуправлением
Частота вращения	33 ¹ / ₃ об/мин, 45 об/мин
Детонация и дребезг	менее 0,25% (WTD), 3 кГц (JIS)
Отношение сигнала к шуму	более 50 дБ (DIN-B)
Картридж	Стерефоническая головка звукоснимателя Integral Dual Moving Magnet™ с алмазной иглой
Выходной уровень	
Предусилитель «PHONO» (звукосниматель)	2,5 мВ в номинале при 1 кГц, 5 см/сек
Предусилитель «LINE» (линейный выход)	150 мВ в номинале при 1 кГц, 5 см/сек
Предварительное усиление сигнала звукоснимателя	36 дБ в номинале, с компенсацией RIAA
Энергопотребление	220 до 240 В пер. тока, 50/60 Гц, 3 Вт (Европа)
Размеры	360,0 мм Ш x 97,5 мм В x 356,0 мм Г
Вес нетто	2,98 кг
Аксессуары	Выходной стереокабель с миништекером 3,5 мм (штекер) и двумя входными разъемами RCA (штекер), Адаптер для пластинок на 45 об/мин, Съемная пылезащитная крышка на петлях
Запасная игла	ATN3600L

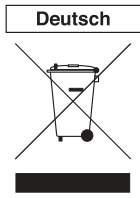
- Словесное обозначение и логотипы Bluetooth принадлежат группе Bluetooth SIG, Inc., Audio-Technica Corporation использует их по лицензии. Все остальные товарные знаки принадлежат соответствующим правообладателям.
- В целях усовершенствования изделия оно может подвергаться модификации без уведомления.



English

Disposal of Old Electrical & Electronic Equipment (Applicable in European countries with separate collection systems)

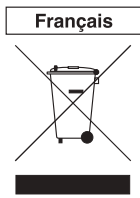
This symbol on the product or on its packaging indicates that this product shall not be treated as household waste. Instead it shall be handed over to the applicable collection point for the recycling of electrical and electronic equipment. By ensuring this product is disposed of correctly, you will help prevent potential negative consequences for the environment and human health, which could otherwise be caused by inappropriate waste handling of this product. The recycling of materials will help to conserve natural resources. For more detailed information about recycling of this product, please contact your local city office, your household waste disposal service or the shop where you purchased the product.



Deutsch

Entsorgung von gebrauchten elektrischen und elektronischen Geräten (Anzuwenden in den europäischen Ländern mit einem separaten Sammelsystem für diese Geräte)

Das Symbol auf dem Produkt oder seiner Verpackung weist darauf hin, dass dieses Produkt nicht als normaler Haushaltsabfall zu behandeln ist, sondern an einer Annahmestelle für das Recycling von elektrischen und elektronischen Geräten abgegeben werden muss. Durch Ihren Beitrag zum korrekten Entsorgen dieses Produkts schützen Sie die Umwelt und die Gesundheit Ihrer Mitmenschen. Umwelt und Gesundheit werden durch falsches Entsorgen gefährdet. Materialrecycling hilft den Verbrauch von Rohstoffen zu verringern. Weitere Informationen über das Recycling dieses Produkts erhalten Sie von Ihrer Gemeinde, den kommunalen Entsorgungsbetrieben oder dem Geschäft, in dem Sie das Produkt gekauft haben.



Français

Traitement des appareils électriques et électroniques en fin de vie (Applicable dans les pays européens disposant de systèmes de collecte sélective)

Ce symbole, apposé sur le produit ou sur son emballage, indique que ce produit ne doit pas être traité avec les déchets ménagers. Il doit être remis à un point de collecte approprié pour le recyclage des équipements électriques et électroniques. En s'assurant que ce produit est bien mis au rebut de manière appropriée, vous aiderez à prévenir les conséquences négatives potentielles pour l'environnement et la santé humaine. Le recyclage des matériaux aidera à conserver les ressources naturelles. Pour toute information supplémentaire au sujet du recyclage de ce produit, vous pouvez contacter votre municipalité, votre déchetterie ou le magasin où vous avez acheté le produit.



Nederlands

Verwijdering van oude Elektrische en Elektronische Apparaten (Toepasbaar in de Europese landen met gescheiden opphaalsysteem)

Het symbool op het product of op de verpakking wijst erop dat dit product niet als huishoudafval mag worden behandeld. Het moet echter naar een plaats worden gebracht waar elektrische en elektronische apparatuur wordt gerecycled. Als u ervoor zorgt dat dit product op de correcte manier wordt verwijderd, voorkomt u voor mens en milieu negatieve gevolgen die zich zouden kunnen voordoen in geval van verkeerde afvalbehandeling. De recycling van materialen draagt bij tot het vrijwaren van natuurlijke bronnen. Voor meer details in verband met het recyclen van dit product, neemt u het best contact op met de gemeentelijke instanties, het bedrijf of de dienst belast met de verwijdering van huishoudafval of de winkel waar u het product hebt gekocht.



Dansk

Håndtering af udtjente elektrisk og elektronisk udstyr (Gælder for europæiske lande med separate indsamlingssystemer)

Denne symbol på produktet eller emballagen angiver, at produktet ikke må behandles som husholdningsaffald. Det skal i stedet indleveres på en deponeringsplads specielt indrettet til modtagelse og genbrug af elektrisk og elektronisk udstyr. Ved at sikre, at produktet bortskaffes korrekt, forebygges de eventuelle negative miljø- og sundhedsskadelige påvirkninger, som en ukorrekt affaldshåndtering af produktet kan forårsage. Genbrug af materialer vil medvirke til at bevare naturens ressourcer. Yderligere information om genbrug af dette produkt kan fås hos myndighederne, det lokale renovationselskab eller i butikken, hvor produktet blev købt.



Svenska

Omhändertagande av gamla elektriska och elektroniska produkter (användbara i europeiska länder med separata insamlingssystem)

Symbolen på produkten eller emballaget anger att produkten inte får hanteras som hushållsaffall. Den skall i stället lämnas in på uppsamlingsplats för återvinning av el- och elektronikkomponenter. Genom att säkerställa att produkten hanteras på rätt sätt bidrar du till att förebygga eventuella negativa miljö- och hälsoeffekter som kan uppstå om produkten kasseras som vanligt avfall. Återvinning av material hjälper till att bibehålla naturens resurser. För ytterligare upplysningar om återvinning bör du kontakta lokala myndigheter eller sophämtningstjänst eller affären där du köpte varan.

本説明文はヨーロッパ電気電子機器回収システムにかかわる案内です。

本説明文是关于欧洲电器电子机械回收系统的介绍。

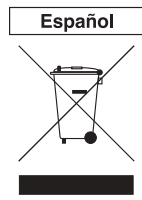
이 설명문은 유럽 전기전자 기기 회수 시스템에 관련된 안내입니다.

Importer for Europe / Importateur pour l'Europe / Importeur für Europa / Importatore per l'Europa / Importador para a Europa / Importador para Europa / Importeur voor Europa / Вноситель за Европа / Uvoznik za Evropu / Dovozeč pro Evropu / Importör for Europa / Euroopan maahantuojat / Εισαγωγέας για την Ευρώπη / Európai importőr / Allmaireoir don Eoraip / Importētājs Eiropai / Importuotojas Europoje / Importatör ghall-Ewropa / Importer dla Europy / Importator pentru Europa / Dovožca pre Evropu / Uvoznik za Evropo / Importör för Europa

Audio-Technica Limited
Technica House, Unit 5, Millennium Way, Leeds LS11 5AL, United Kingdom

Manufactured by / fabriqué par / hergestellt durch / Prodotto da / fabricado por / fabricado por / vervaardigd door / Произведено от / Proizvođač / Výrobce / Fremstillet af / valmistatud / Valmistaja / Κατασκευάζεται από / Gyártó / mbonaraigh / Ražotājs / Gamintojas / manufakturert minn / wyprodukowane przez / Produs de / Výrobca / Proizvajalec / tilbered av

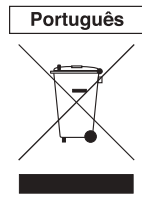
Audio-Technica Corp.
2-46-1 Nishi-naruse, Machida, Tokyo 194-8666, Japan



Español

Tratamiento de los equipos eléctricos y electrónicos al final de su vida útil (Aplicable en países europeos con sistemas de recogida selectiva de residuos)

Este símbolo en su equipo o su embalaje indica que el presente producto no puede ser tratado como residuos domésticos normales, sino que deben entregarse en el correspondiente punto de recogida de equipos eléctricos y electrónicos. Asegurándose de que este producto es desechado correctamente, Usted está ayudando a prevenir las consecuencias negativas para el medio ambiente y la salud humana que podrían derivarse de la incorrecta manipulación de este producto. El reciclaje de materiales ayuda a conservar los recursos naturales. Para recibir información detallada sobre el reciclaje de este producto, por favor, contacte con su ayuntamiento, su punto de recogida más cercano o el distribuidor donde adquirió el producto.



Português

Tratamento de Equipamentos Elétricos e Eletrônicos no final da sua vida útil (Aplicável em países Europeus com sistemas de recolha independentes)

Este símbolo no produto ou na sua embalagem indica que este não deve ser tratado como resíduo doméstico. Ao invés, será colocado no ponto de recolha destinado à reciclagem de equipamento elétrico e eletrônico. Assegurando-se que este produto é despejado corretamente, você irá prevenir potenciais consequências negativas para o meio ambiente bem como para a saúde humana, que de outra forma poderiam ocorrer pela manipulação imprópria deste produto. A reciclagem dos materiais contribuirá para a conservação dos recursos naturais. Para obter mais informações detalhadas sobre a reciclagem deste produto, por favor contate o município acentos onde reside, os serviços de recolha de resíduos da sua área ou a loja onde o produto foi adquirido.



Italiano

Trattamento del dispositivo elettrico od elettronico (Applicabile in tutti i paesi dell'Unione Europea che utilizzano un sistema di raccolta differenziata)

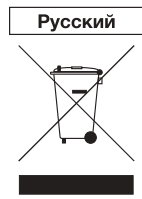
Questo simbolo sul prodotto o sulla confezione indica che il prodotto non deve essere riposto in un punto di raccolta adibito a rifiuti domestici. Deve invece essere trattato nel punto di raccolta appropriato per il riciclo di apparecchi elettrici ed elettronici. Assicurandovi che questo prodotto sia smaltito correttamente, contribuirete a prevenire potenziali conseguenze negative per l'ambiente e per la salute che potrebbero altrimenti essere causate dal uno smaltimento inadeguato. Il riciclaggio dei materiali aiuta a conservare le risorse naturali. Per informazioni più dettagliate circa il riciclaggio di questo prodotto, potete contattare il vostro ufficio comunale, il servizio locale di smaltimento rifiuti oppure il negozio dove l'avete acquistato.



Język polski

Pozbywanie się zużytego sprzętu (Stosowane w krajach europejskich posiadających system selektywnej zbiórki odpadów)

Takie oznaczenie na produkcie lub jego opakowaniu wskazuje, że produkt nie może być traktowany jako odpad komunalny lecz powinno się go dostarczyć do odpowiedniego punktu zbiórki sprzętu elektrycznego i elektronicznego w celu recyklingu. Zapewniając prawidłową dyspozycję dotyczącą produktu, zapobiega się jego negatywnemu działaniu na środowisko oraz zdrowie ludzi, jakie mogłoby wystąpić w przypadku niewłaściwego postępowania. Recykling materiałów pomoże w ochronie bogactw naturalnych. W celu uzyskania bardziej szczegółowych informacji na temat recyklingu tego produktu, należy skontaktować się z urzędem miejskim, ze służbami oczyszczania miasta lub ze sklepem, w którym ten produkt został zakupiony.



Русский

Утилизация электрического и электронного оборудования (директива применяется в странах, где действуют система раздельного сбора отходов)

Данный знак на устройстве или его упаковке обозначает, что данное устройство нельзя утилизировать вместе с прочими бытовыми отходами. Его следует сдать в соответствующий приемный пункт переработки электрического и электронного оборудования. Неправильная утилизация данного изделия может привести к потенциально негативному влиянию на окружающую среду и здоровье людей, поэтому для предотвращения подобных последствий необходимо выполнять специальные требования по утилизации этого изделия. Переработка данных материалов поможет сохранить природные ресурсы. Для получения более подробной информации о переработке этого изделия обратитесь в местные органы городского управления, службу сбора бытовых отходов или в магазин, где было приобретено изделие.



Suomi

Käytöstä poistetun sähkö- ja elektroniikkalaitteen hävitys (Euroopan maiden keräysjärjestelmät)

Symboli, joka on merkitty tuotteeseen tai sen pakkaukseen, osoittaa, että tätä tuotetta ei saa käsitellä talousjätteenä. Tuote on sen sijaan luovutettava sopivaan sähkö- ja elektroniikkalaitteiden kierrätyksestä huolehtivaan keräyspisteeseen. Tämän tuotteen asianmukaisen hävittämisen varmistamisella autetaan estämään sen mahdolliset ympäristöön ja terveyteen kohdistuvat haittavaikutukset, joita voi aiheutua muussa tapauksessa tämän epäasianmukaisesta jättekäsittelystä. Materiaalien kierrätys säästää luonnonvaroja. Tarkempia tietoja tämän tuotteen kierrättämisestä saa paikallisesta kunnantöimistöstä.

Visit our Web Site: www.audio-technica.com

Two-Years Limited Warranty

Audio-Technica products purchased in the UK and EU / Europe are guaranteed for two years from date of purchase by Audio-Technica Ltd. to be free of defects in materials and workmanship. In the event of such defect, product will be repaired promptly without charge or, at our option, replaced with a new product of equal or superior value, if the faulty product is delivered to Audio-Technica Ltd., prepaid, together with the proof of purchase.

Prior approval from Audio-Technica Ltd. is required for return. This warranty excludes defects due to normal wear, abuse, shipping damage, or failure to use product in accordance with instructions. This warranty is void in the event of unauthorized repair or modification. For return approval and shipping information, contact the Service Department, Audio-Technica Ltd. Tel: +44 (0)113 277 1441.

Outside the U.K, please contact your local dealer for warranty details.

Visitez notre site internet : www.audio-technica.com

Garantie limitée de deux ans

Les produits Audio-Technica achetés au Royaume-Uni et dans l'UE/en Europe sont garantis sans défauts matériels ni de fabrication pendant deux ans à compter de l'achat par Audio-Technica Ltd. Dans l'éventualité d'un tel défaut, le produit sera rapidement réparé ou, si vous le désirez, remplacé par un nouveau produit de valeur équivalente ou supérieure à condition que ledit produit défectueux soit retourné, prépayé, à Audio-Technica Ltd. accompagné de sa preuve d'achat.

L'accord préalable d'Audio-Technica Ltd. est nécessaire pour tout renvoi. Sont exclus de cette garantie les défauts dus à l'usure normale du produit, à un usage abusif, à des dommages survenus durant le transport ou à une utilisation non conforme aux indications du présent mode d'emploi. La présente garantie est caduque en cas de réparation ou de modification non autorisée.

Afin d'obtenir l'accord pour un renvoi ou des informations sur le transport, veuillez contacter le service clientèle d'Audio-Technica Ltd. Tél : +44 (0)113 277 1441.

Excepté au Royaume-Uni, veuillez contacter votre distributeur local pour connaître les détails de la garantie.

Besuchen Sie unsere Website: www.audio-technica.com

Zweijährige beschränkte Garantie

Audio-Technica Ltd. garantiert für jedes in Großbritannien und der EU / Europa erworbene Produkt von Audio-Technica ab Kaufdatum zwei Jahre lang, dass es frei von Material- und Verarbeitungsfehlern ist. Im Falle eines solchen Fehlers wird das Produkt umgehend gebührenfrei repariert oder, nach unserer Wahl, durch ein neues Produkt gleichen oder höheren Werts ersetzt, wenn das fehlerhafte Produkt zusammen mit dem Kaufbeleg und vorausbezahlt an Audio-Technica Ltd. geschickt wird.

Für Rücksendungen ist die vorherige Zustimmung von Audio-Technica Ltd. erforderlich. Von dieser Garantie ausgeschlossen sind Fehler, die durch normale Abnutzung, unsachgemäße Behandlung, beim Versand entstandene Schäden oder Benutzung entgegen den Gebrauchsanweisungen entstanden sind. Diese Garantie gilt nicht im Falle des unbefugten Versuchs, das Gerät zu reparieren oder zu modifizieren.

Kontaktieren Sie die Kundendienstabteilung für die Zustimmung zur Rücksendung und Versandinformationen, Audio-Technica Ltd. Tel.: +44 (0)113 277 1441.

Kunden außerhalb Großbritanniens verweisen wir für Einzelheiten zur Garantie an ihren örtlichen Händler.

Visitare il nostro sito web: www.audio-technica.com

Due anni di garanzia limitata

I prodotti Audio-Technica acquistati nel Regno Unito e nell'Unione europea/in Europa sono garantiti per due anni dalla data di acquisto da Audio-Technica Ltd. per difetti di materiali e fabbricazione. In caso di difetti, il prodotto sarà prontamente riparato senza costi aggiuntivi o, in subordine, sostituito con un prodotto nuovo di valore uguale o superiore, qualora il prodotto difettoso venga consegnato a Audio-Technica Ltd, in porto franco, unitamente alla prova di acquisto.

Per la restituzione del prodotto è necessaria la preventiva approvazione da parte di Audio-Technica Ltd. La garanzia non include i difetti causati dal normale utilizzo, maltrattamento, danni dovuti alla spedizione o guasti per un utilizzo non conforme a quanto citato nelle istruzioni. La garanzia decade in caso di riparazioni o modifiche non autorizzate.

Per l'autorizzazione alla restituzione e la spedizione del prodotto, contattare il servizio di assistenza. Audio-Technica Ltd. Tel: +44 (0)113 277 1441.

Al di fuori del Regno Unito, rivolgersi al rivenditore locale per informazioni sulla garanzia.

Visite nuestra página web: www.audio-technica.com

Dos años de garantía limitada

Los productos de Audio-Technica comprados en el Reino Unido y en la Unión Europea o en Europa cuentan con una garantía de dos años desde la fecha de compra por parte de Audio-Technica Ltd. que garantiza que están libres de defectos en cuanto a materiales y mano de obra. En caso de que exista algún defecto, el producto se reparará inmediatamente sin coste alguno o, a nuestra discreción, se sustituirá por uno nuevo de igual valor o superior si el producto defectuoso, pagado previamente, se envía a Audio-Technica Ltd. junto con la prueba de la compra.

Se requiere aprobación previa por parte de Audio-Technica Ltd. para la devolución. Esta garantía excluye defectos producidos por el desgaste normal, maltrato, daños durante el envío o en caso de no utilizar el producto de acuerdo con las instrucciones. Esta garantía queda anulada en caso de que se realice una reparación o modificación no autorizada.

Para obtener información sobre la aprobación de devolución y sobre el envío, póngase en contacto con el departamento de servicio de Audio-Technica Ltd. Tel.: +44 (0)113 277 1441.

Si se encuentra fuera del Reino Unido, póngase en contacto con su distribuidor local para obtener detalles sobre la garantía.

Visite o nosso website: www.audio-technica.com

Garantia limitada de dois anos

Os produtos da Audio-Technica comprados no Reino Unido e na UE/Europa têm uma garantia de dois anos da Audio-Technica Ltd., a partir da data de compra, contra defeitos nos materiais e fabrico. Em caso de defeitos, o produto será imediatamente reparado sem encargos ou, se assim decidirmos, substituído por um produto novo de valor igual ou superior, se o produto avariado for entregue à Audio-Technica Ltd., pré-pago, juntamente com o comprovativo de compra.

É necessária autorização prévia da Audio-Technica Ltd. para devolução. Esta garantia exclui defeitos devido a desgaste normal, abusos, danos de envio ou utilização incorreta do produto. Esta garantia é anulada em caso de uma reparação ou modificação não autorizada.

Para autorização de devolução e informações sobre o envio, contacte o departamento de assistência, Audio-Technica Ltd. Tel: +44 (0)113 277 1441.

Fora do Reino Unido, contacte um distribuidor local para informações sobre a garantia.

Посетите наш веб-сайт: www.audio-technica.com

Ограниченная двухлетняя гарантия

На продукцию, выпускаемую под брендом Audio-Technica и приобретаемую в Соединенном Королевстве и ЕС/Европе, компания Audio-Technica Ltd. предоставляет гарантию в отношении отсутствия дефектов материала и заводского брака сроком на два года со дня покупки. В случае обнаружения такого дефекта изделие будет бесплатно отремонтировано в кратчайшие сроки или, по нашему усмотрению, заменено на новое изделие аналогичной или большей стоимости, при условии что неисправное изделие было перешлано компании Audio-Technica Ltd. предоплаченным отправлением вместе с документом, удостоверяющим факт покупки.

Перед возвратом изделия необходимо получить предварительное согласие компании Audio-Technica Ltd. Данная гарантия не распространяется на дефекты, возникшие вследствие естественного износа деталей, ненадлежащей эксплуатации изделия, повреждений при пересылке или в результате использования изделия с нарушением указаний, приведенных в настоящих инструкциях по эксплуатации. Несанкционированный ремонт изделия или внесение изменений в его конструкцию влечет за собой аннулирование гарантии.

Если Вам необходимо согласовать возврат изделия или получить информацию о его доставке, пожалуйста, обратитесь в отдел обслуживания, Audio-Technica Ltd. Tel.: +44 (0)113 277 1441.

Для получения сведений о гарантии за пределами Соединенного Королевства, пожалуйста, обратитесь к ближайшему дилеру.



Audio-Technica Corporation
©2016 Audio-Technica Corp.