

Panasonic

Operating Instructions Rechargeable Oral Irrigator Model No. EW-DJ40

<u>English</u>	<u>2</u>	<u>Dansk</u>	<u>62</u>	<u>Česky</u>	<u>122</u>
<u>Deutsch</u>	<u>12</u>	<u>Português</u>	<u>72</u>	<u>Slovensky</u>	<u>132</u>
<u>Français</u>	<u>22</u>	<u>Norsk</u>	<u>82</u>	<u>Magyar</u>	<u>142</u>
<u>Italiano</u>	<u>32</u>	<u>Svenska</u>	<u>92</u>	<u>Română</u>	<u>152</u>
<u>Nederlands</u>	<u>42</u>	<u>Suomi</u>	<u>102</u>	<u>Türkçe</u>	<u>162</u>
<u>Español</u>	<u>52</u>	<u>Polski</u>	<u>112</u>		



Before operating this product, please read the instructions carefully, and save this manual for future use.

Safety Instructions

All information in this section is provided to instruct you in the correct and safe operation of this appliance so that you can avoid injuries to yourself and others as well as damage to property.

■ **The harm or damage that is caused by improper use is described in categories.**

Danger

This indicates “content that may very likely cause death or severe injury”.


Warning


This indicates “content that may cause death or severe injury”.

Caution

This indicates “content that may cause injury or damage to property”.

■ **Content to be observed is described with the following icons. (The following are examples of icons)**

 A circle and slash symbolizes prohibited actions and behaviors.


 A solid circle denotes mandatory actions and instructions to be followed for safe operation.

Danger

Prohibited

- ï **This appliance has built-in rechargeable batteries. Do not throw into a fire, heat, or charge, use, or leave in a hot location.**
Doing so could result in overheating, fire, or explosion.

Warning

 **Do not use this appliance with the charging adaptor in the bath or shower room.**

- ï **Do not place or store the charging adaptor where it can fall or be pulled into a tub, sink or toilet.**

Doing so could result in electric shock or fire.

Prohibited

- ï **Do not use the appliance when the charging adaptor is damaged or the connection to the power outlet is loose.**

Doing so could result in electric shock, shorting, or fire.

- ï **Do not damage, destroy, modify, forcefully bend, pull, or twist the power cord. Also, do not place heavy objects on or clamp the power cord.**

Doing so could result in electric shock or fire.

Avoid water contact!

- ï **Do not immerse the charging adaptor in water, or wash with water.**

Doing so could result in electric shock or shorting.

Do not touch with wet hands

- ï **Do not insert or pull the charging adaptor from the power outlet with wet hands.**

Doing so could result in electric shock.

Mandatory!

- ï **Keep out of the reach of toddlers and infants.**
Failure to do so could result in accidents or trouble, such as an accidental ingestion of the accessories or the parts that can be taken apart.
- ï **Remove the charging adaptor from the power outlet when performing maintenance.**
Failure to do so could result in electric shock.
- ï **Clean the appliance plug and the charging adaptor periodically in order to prevent dust build up.**

Failure to do so could result in a fire, due to insulation failure caused by humidity on the built-up dust.

- ï **Always ensure the appliance is operated on an electric power source matched to its rated voltage.**

Failure to do so could result in electric shock or fire.

 **Do not dismantle!**

- ï **Never alter the appliance. Also, do not disassemble or repair it.**

Doing so could result in fire, electric shock, or injury. Contact the store where you purchased the appliance or Panasonic customer center for repair (such as battery change).

 **Caution**

 **Prohibited**

- ï **Toddlers, infants, people who are unable to operate and people with weak oral senses should not use this appliance.**

Failure to do so could result in injury.

- ï **Do not use for any purpose other than oral cleaning.**

Doing so could result in injury when the stream of water is pointed toward the eyes, nose, ears, or throat. Consult the dentist if you are receiving oral treatments or have severe periodontal disease.

- ï **Do not fill the tank with water warmer than 40 °C.**

Doing so could result in burns.

 **Mandatory!**

- ï **Always hold the power plug instead of the power cord when removing the charging adaptor.**

Failure to do so could result in electric shock or shorting, resulting in fire.

- ï **Keep the appliance sanitized and use fresh tap water or warm water when cleaning the mouth.**

- ï **Make sure to throw out the water inside the tank, and run the appliance for 2 to 3 seconds to drain the water after usage.**

Failure to do so could result in damage to your health if used without keeping it sanitized due to propagation of mold and bacteria. It may also result in odor and malfunction.

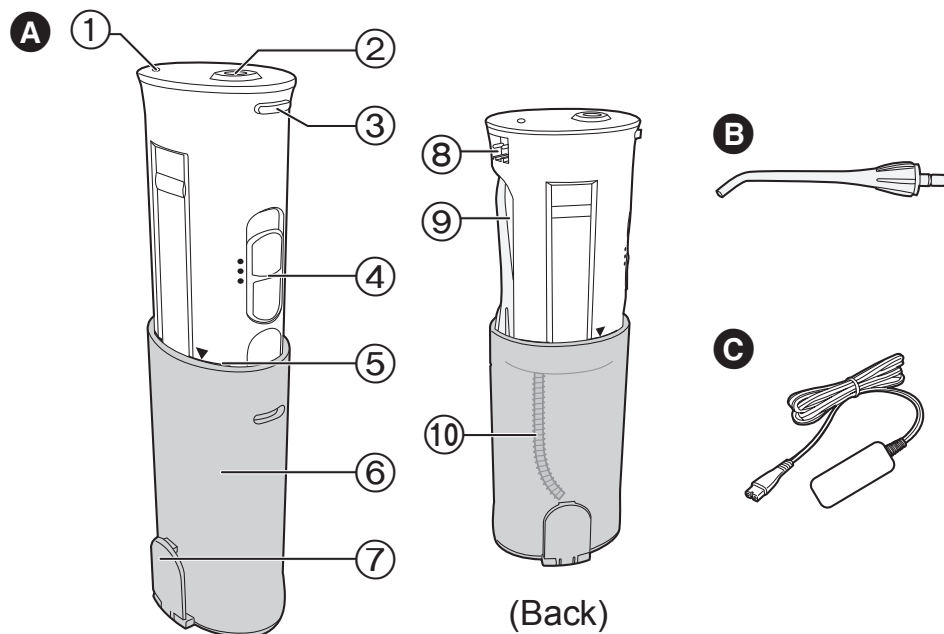
- ï **Remove the charging adaptor from the power outlet when it is not to be used.**

Failure to do so could result in electric shock or electrical fire due to insulation degradation.

Caution

- ï This appliance is not intended for use by persons (including children) with reduced physical, sensory or mental capabilities, or lack of experience and knowledge, unless they have been given supervision or instruction concerning use of the appliance by a person responsible for their safety. Children should be supervised to ensure that they do not play with the appliance.
- ï The supply cord cannot be replaced. If the cord is damaged, the appliance should be scrapped.

Parts identification



- | | |
|---------------------------|------------------------------|
| A Main unit | ⑧ Appliance socket |
| ① Charging indicator lamp | ⑨ Nozzle storage compartment |
| ② Nozzle socket | ⑩ Water suction tube |
| ③ Nozzle release button | B Nozzle (x1) |
| ④ Switch | C Charging adaptor |
| ⑤ Usage line (▼ mark) | |
| ⑥ Tank | |
| ⑦ Water supply cap | |

► Note

There may be some liquid remaining inside the main appliance (tank, water suction tube, etc.), but this is remaining distilled water that was used for the performance (water flow) test, so there are no health concerns.

► Before using the appliance

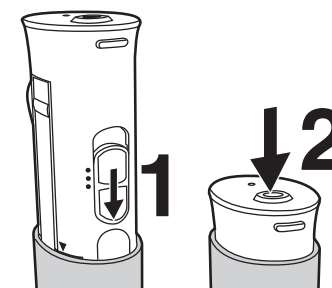
Initially bleeding may occur even with healthy gums. This is caused because the gums are not used to such stimulation. The bleeding will normally stop within 1 or 2 weeks of use. There may be a problem with the gums (periodontal disease, etc.) if the bleeding continues for over 2 weeks. In such cases, stop using the appliance and consult the dentist.

Charging the appliance

- ï Charge the appliance at 15 to 35 °C room temperature.
- ï Usage time may be shorter when charging in lower temperatures (under 15 °C). Also, it may not charge in very low temperatures (under 0 °C).

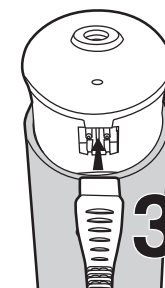
1 Turn the switch to OFF.

2 Store the main unit.



3 Insert the appliance plug securely into the appliance socket.

- ï Insert the appliance plug after wiping any water that may be on the socket.

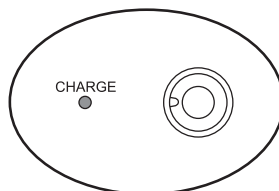


4 Insert the charging adaptor securely into the power outlet.

5 Check that the charging indicator lamp glows.

Charging is completed in approx. 8 hours.

It can be used for 15 minutes with 1 full charge.



Leaving the main unit continuously on the charging adaptor connected to the power outlet does not affect performance. (In general, repeatedly charging and discharging the battery without fully using up the charging capacity will cause a memory effect, which decreases the usage and lowers the discharge voltage. However this appliance has been devised in such a way that it will not affect the usage.)

If operation stops at the start of usage (immediately after purchase or after not using for 3 months or more) or while using the appliance, be sure to charge it for 16 hours or more. If the charging indicator does not glow initially when the main unit is plugged in, wait for a short while until it does.

The main unit will become slightly warm while charging, but this is not a malfunction.

Charge the appliance only with the dedicated charging adaptor.
Use the charging adaptor only for charging the dedicated appliance.

If the usage time gets short even if charged properly, it could be that the battery is worn out. (Expected life of the battery is 3 years, but it can change greatly depending on how it is used and stored)

Using the appliance

- Use with tap water or lukewarm water.
- Do not turn the switch to ON before placing the nozzle in your mouth.

- 1 Open the water supply cap.**
- 2 Pull out the white part of main unit up to the usage line (▼ mark).**

It may be hard to pull out the main unit with the water supply cap closed.

Water pressure will not rise unless the main unit is pulled out to the usage line.

Be careful since the nozzle might pop out from the storage compartment at this time.

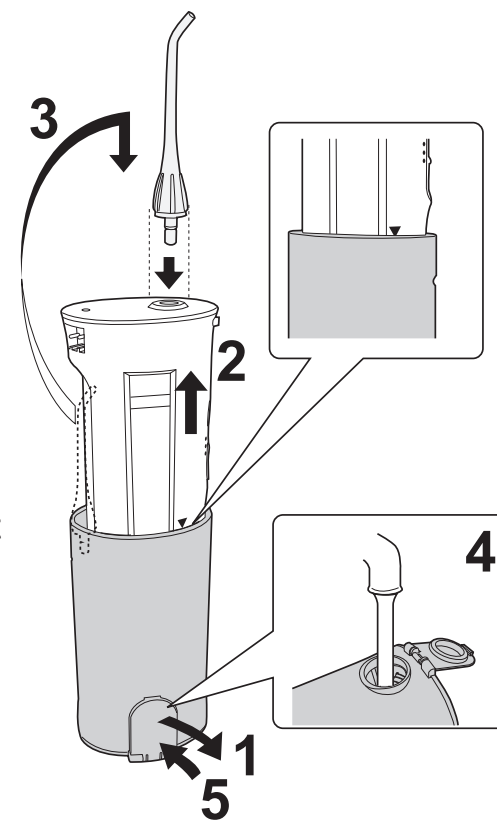
- 3 Insert the nozzle into the nozzle socket holding onto the white part of the main unit.**

Insert it securely until it clicks.

- 4 Pour in water.**

Always use fresh tap water.

If the water feels cold, use lukewarm water of up to



40 °C.

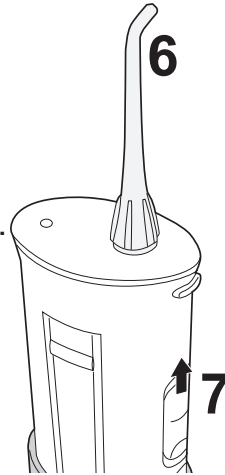
- Do not pour in salt, toothpaste, or chemicals.
- To continuously use, make sure the switch is set to OFF.

5 Close the water supply cap.

- Securely close after pouring in water.

6 Place the nozzle in your mouth.

- The water suction tube inside the tank may come out from the water and the flow of the water may stop when the appliance is tilted too much.



7 Turn the switch to ON.

- It can be used for approximately 40 seconds with a full tank.

Mode (strength) can be selected.

2 (Normal)

- For normal cleaning

1 (Soft)

- When you are worried about your gums
- When you feel 2 (Normal) is too strong

- Do not press the tip of the nozzle hard against the teeth or gums.
- Be extra cautious with those who cannot operate the appliance by themselves, such as infants or toddlers, or people with high oral sensitivity.
- Do not drop or handle it roughly.
- Do not operate when the tank is empty except to drain the water from the appliance. Doing so could result in malfunction.

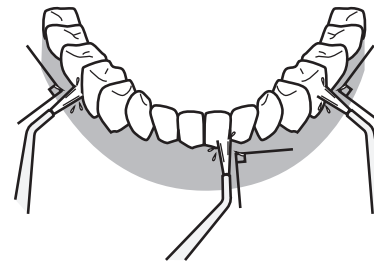
► Tips

- Hold the appliance vertically with the nozzle upward.
- Move your face above the sink.
- Close your mouth slightly so the water will not splatter.
- Place the nozzle in your mouth.

Cleaning your mouth well

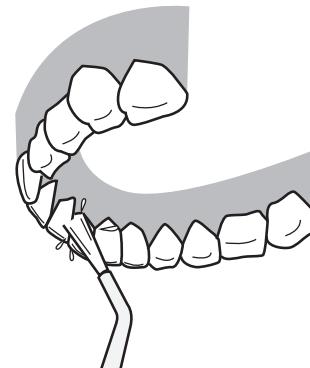
- Aim the stream as perpendicular as possible between the teeth or the edge between the teeth and gums.
- Move slowly along the teeth.
- Take extra care between the teeth and around braces.

Front side of the teeth...



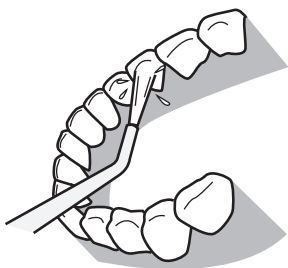
- Apply the stream perpendicular to the teeth.
- Take extra care between the teeth and the edge between the teeth and gums.

Back side of the teeth...



For the upper teeth

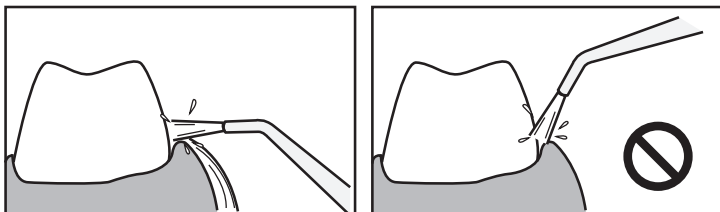
- Adjust the angle of the nozzle to face upward, and apply the stream perpendicular to the teeth.



For the lower teeth

- Pull your chin down, and apply the stream perpendicular to the teeth.

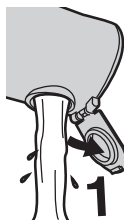
- Do not apply the stream directly into the periodontal pockets.



After using the appliance

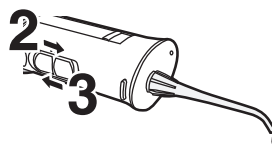
- There is a risk of bacteria propagating, so wash thoroughly and dry before storing.

- 1 Open the water supply cap and dispose of the water in the tank.**



- 2 Turn the switch to ON, and drain the water inside the appliance.**

- Run the appliance for 2 to 3 seconds until no water comes out.

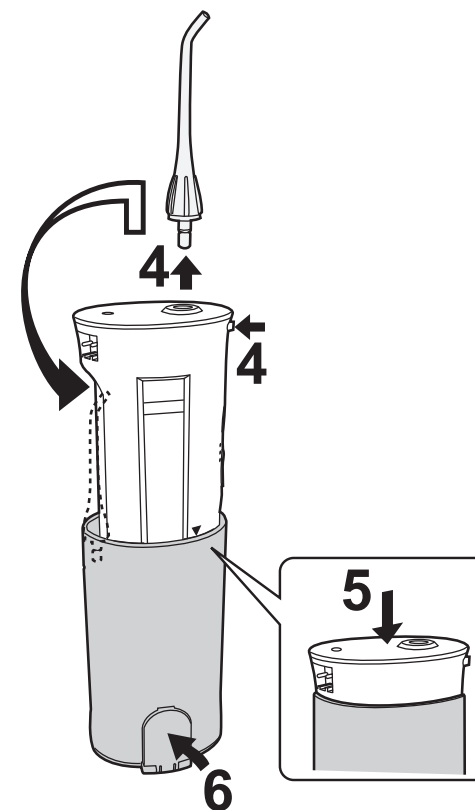


- 3 Turn the switch to OFF.**

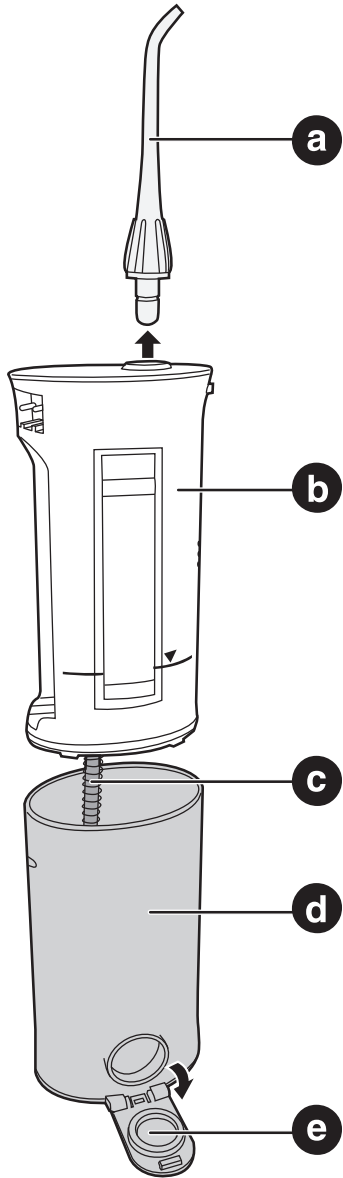
- 4 Press the nozzle release button, remove the nozzle and place it in the storage compartment.**

- 5 Store the main unit.**
 - Press it in until it clicks.
 - Watch out not to clamp your fingers in the upper part of the tank.

- 6 Close the water supply cap.**



- To store in a bag or similar after using the appliance, wrap it in a towel or similar to absorb any excess water.
- To prevent bacteria propagating, take it out from a bag or similar as soon as possible to dry.



a Nozzle

(Remove it while pressing the nozzle release button.)

Wash with water and wipe with a cloth.

- ï Please replace the nozzle about once every 6 months. If the tip of nozzle gets deformed, please replace with a new nozzle. Failure to do so could result in malfunction.

b Main unit

Remove the dirt by wiping using a cloth with liquid soap, and wipe off using a dry cloth.

Wash with water if it is very dirty.

- ï Do not wipe the appliance with thinners, benzine, alcohol etc.
- ï Doing so could result in malfunction, cracking or discoloration of the parts.
- ï Do not wash using hot water of over 50 °C.
- ï Do not leave the appliance submerged in water.
- ï Dry after washing with water.

c Water suction tube

Dry after washing with water.

- ï Do not bend the water suction tube. Failure to do so could result in malfunction such as disruption in the operation of the water suction tube.

d Tank

It will come off when the body is pulled hard while the water supply cap is removed, so perform maintenance of interior as well.

Wash with water and wipe with a cloth.

- ï Wash the dirt off from inside using a brush or similar, and wipe off with a cloth.
- ï Dry the tank when not using for a long period.

e Water supply cap

Wipe off any grime and dirt.

- ï Failure to do so could result in water leakage.

Charging adaptor

Wipe the metal part of the power plug with a dry cloth once every 6 months.

- ï Only use mild detergent.
- ï Never use thinners, benzine, or alcohol since it may cause malfunction or cracking / discoloration of the parts.

If you think it is malfunctioning

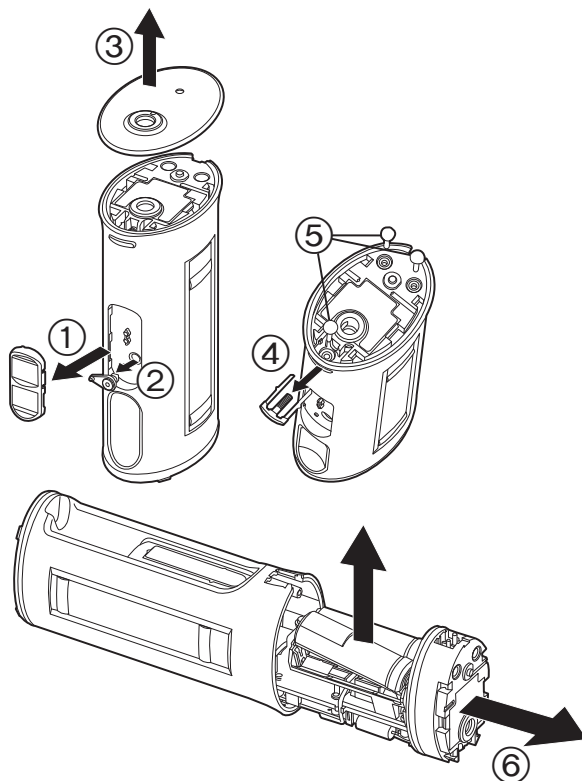
Check the following.

Symptom	Probable Cause	Action
It only works for a few minutes even after charging	▶ Battery is worn out (approximately 3 years)	▶ Contact the store or Panasonic Customer Center. (You cannot change the battery yourself because it may cause degradation of water proof performance or malfunction)
	▶ Charging time is too short	▶ Charge the appliance continuously for 16 hours or more to activate the battery
It does not operate	▶ It is immediately after purchase or has been left unused for 3 months	▶ Charge continuously for 16 hours or more to activate the battery.
Water pressure is low	▶ There is dirt stuck in the nozzle	▶ Replace the nozzle
	▶ Mouth of the nozzle is squashed	
Water does not come out	▶ The appliance is tilted too much while in use	▶ Use with the appliance in a vertical state
	▶ The main unit is not fully extended.	▶ Pull out the main unit all the way

If the problem remains even after the appliance is checked and action is taken, terminate usage to prevent any accidents, and request checkup and repair at a store.

Removing the built-in rechargeable batteries

Remove the built-in rechargeable batteries before disposing of the appliance. Please make sure that the batteries are disposed of at an officially designated location if there is one. Do not dismantle or replace the batteries so that you can use the appliance again. This could cause a fire or an electric shock. Replace them at an authorized service center. Perform steps ① to ⑥ and lift the batteries, and then remove them.



For environmental protection and recycling of materials

This appliance contains Nickel-Metal Hydride batteries. Please make sure that the batteries are disposed of at an officially assigned location, if there is one in your country.

Specifications

Power supply: 100-240 V AC, 50-60 Hz

Input current: 30 mA

Power consumption: 2 W

Battery: 2 Ni-MH batteries (2.4 V DC)

Pump frequency: 1500 pulse/minute (at normal setting)

Water Pressure:

2 (Normal): 590 kPa (6.0 Kg/cm²)

1 (Soft): 390 kPa (4.0 Kg/cm²)

Charging time: approx. 8 hours

Operating time:

approx. 40 seconds/full tank or a total of approx. 15 minutes
(at normal setting) (at 20 °C when fully charged)

Tank volume: 165 ml

Dimensions:

Main unit: 218 (H) x 51 (W) x 68 (D) mm with tank pulled
down

142 (H) x 51 (W) x 68 (D) mm with tank closed

Charging adaptor: 25 (H) x 67 (W) x 92 (D) mm

Weight:

Main unit: approx. 265 g

Charging adaptor: approx. 145 g

Airborne Acoustical Noise: 69 (dB (A) re 1 pW)

Specifications to be changed without notice

Accessories

Contact the stores close to you.

Check the “appliance product number (EW-DJ40)” and the “replacement nozzle product number” when purchasing.

Replacement nozzle (2 included)

EW0955

With identification ring

Information for Users on Collection and Disposal of Old Equipment and used Batteries



These symbols on the products, packaging, and/or accompanying documents mean that used electrical and electronic products and batteries should not be mixed with general household waste.

For proper treatment, recovery and recycling of old products and used batteries, please take them to applicable collection points, in accordance with your national legislation and the Directives 2002/96/EC and 2006/66/EC.



By disposing of these products and batteries correctly, you will help to save valuable resources and prevent any potential negative effects on human health and the environment which could otherwise arise from inappropriate waste handling.

For more information about collection and recycling of old products and batteries, please contact your local municipality, your waste disposal service or the point of sale where you purchased the items.

Penalties may be applicable for incorrect disposal of this waste, in accordance with national legislation.



Cd

For business users in the European Union

If you wish to discard electrical and electronic equipment, please contact your dealer or supplier for

further information.

[Information on Disposal in other Countries outside the European Union]

These symbols are only valid in the European Union. If you wish to discard these items, please contact your local authorities or dealer and ask for the correct method of disposal.

Note for the battery symbol (bottom two symbol examples):

This symbol might be used in combination with a chemical symbol. In this case it complies with the requirement set by the Directive for the chemical involved.