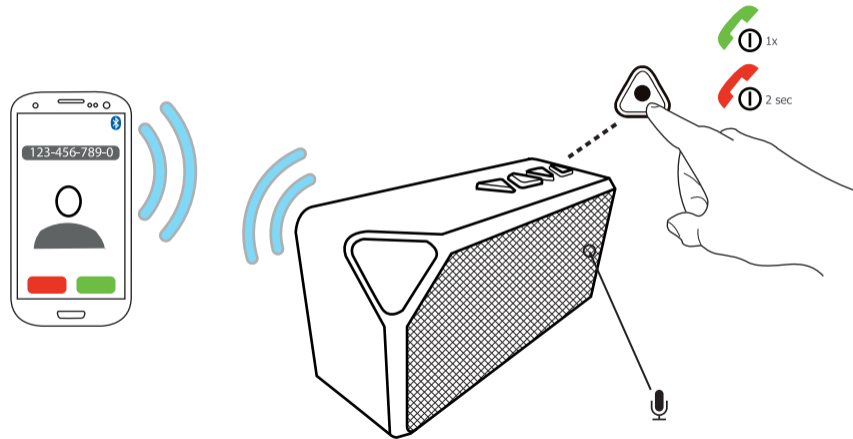
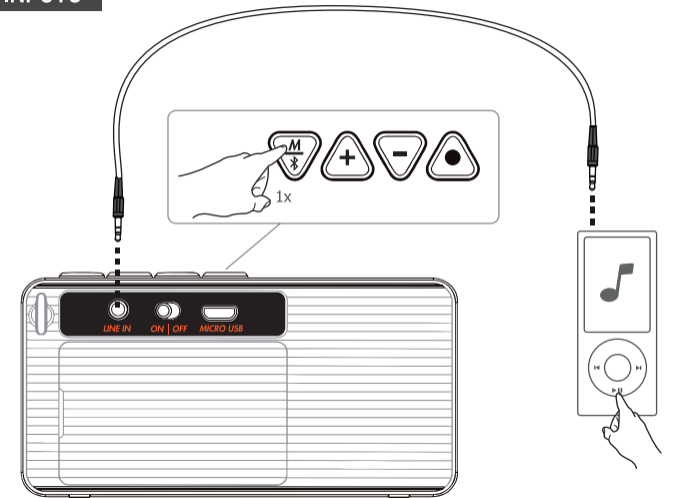


6. WIRELESS PHONECALL



7. OTHER INPUTS



FAQ

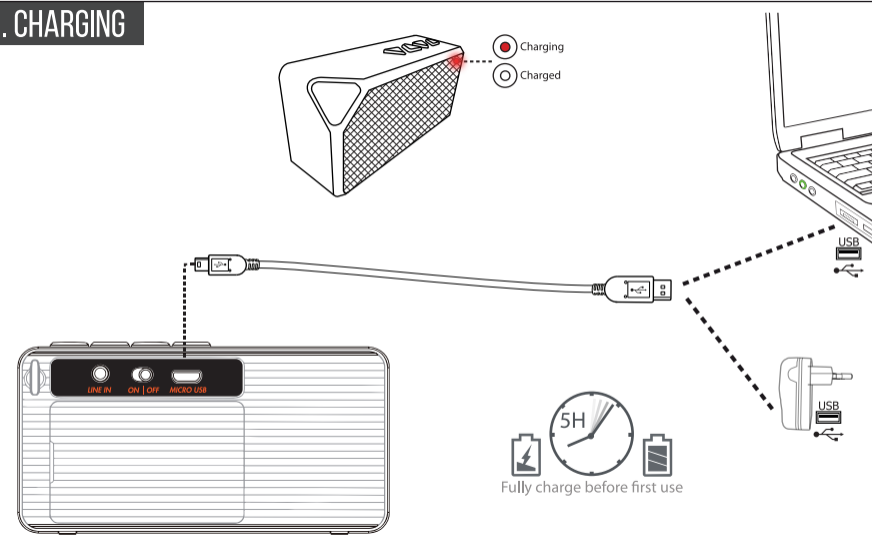
Frequently asked questions
<http://www.trust.com/19855/faq>



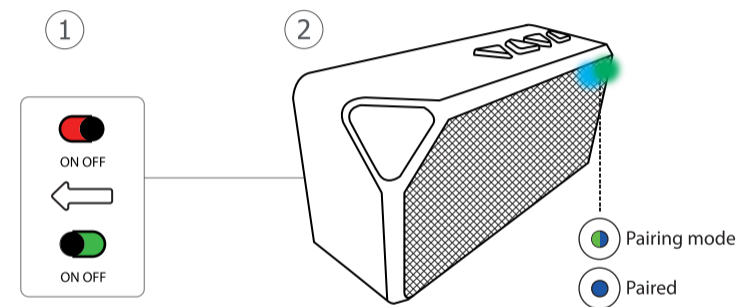
USER GUIDE
WIRELESS SPEAKER

YZ0

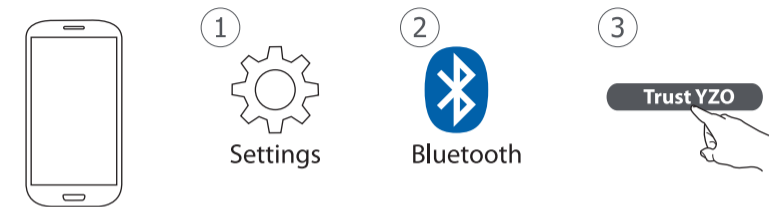
1. CHARGING



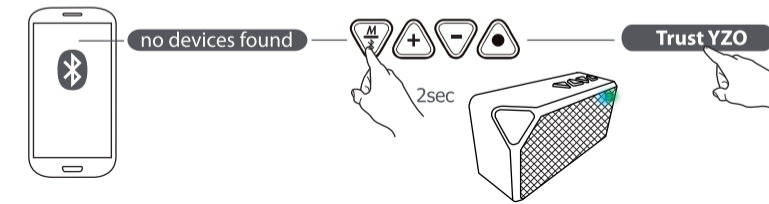
2. WIRELESS SETUP 1/2



3. WIRELESS - SETUP 2/2



4. WIRELESS - TROUBLESHOOTING



5. WIRELESS - PLAY MUSIC

