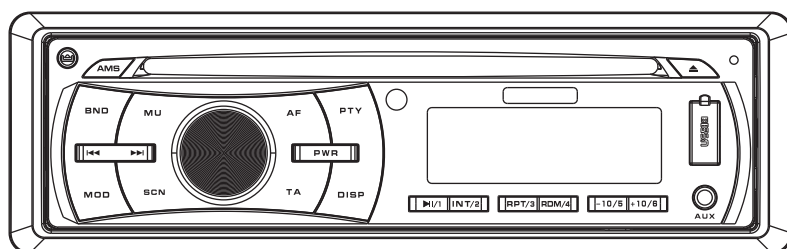


Peiying[®]

Car receiver PY6334



Owner's manual **EN**

Bedienungsanleitung **DE**

Instrukcja obsługi **PL**

Manual de utilizare **RO**



ITEM

<i>Installation</i>	4
<i>Wire connection diagram</i>	6
<i>Front panel</i>	7
<i>General operations</i>	8
<i>Radio operations</i>	11
<i>CD / SD / MMC / USB operations</i>	13
<i>RDS Operations</i>	16
<i>MP3 / WMA overview</i>	17
<i>Remote control layout</i>	18
<i>Specification</i>	20
<i>Before playing discs</i>	21
<i>Trouble shooting</i>	22
<i>New feature and operation notice</i>	23

PRECAUTIONS

Choose the mounting location where the unit will not interfere with the normal driving function of the driver.

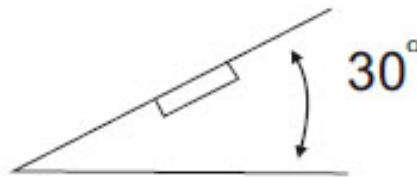
Before finally installing the unit, connect the wiring temporarily and make sure it is all connected up properly and the unit and the system work properly.

Use only the parts included with the unit to ensure proper installation. The use of unauthorized parts can cause malfunctions.

Consult with your nearest dealer if installation requires the drilling of holes or other modifications of the vehicle.

Install the unit where it does not get in the driver's way and cannot injure the passenger if there is a sudden stop. Like an emergency stop.

If installation angle exceeds 30 from horizontal, the unit might not give its optimum performance.



Avoid installing the unit where it would be subject to high temperature, such as from direct sunlight, or from hot air, from the heater, or where it would be subject to dust, dirt or excessive vibration. Do not expose this equipment to rain or moisture.

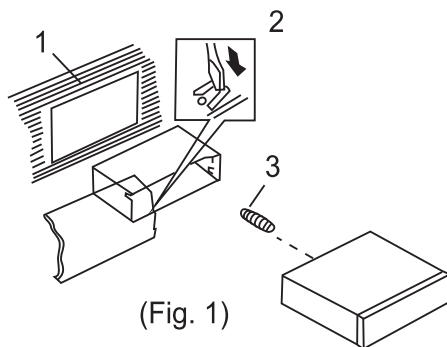
DIN FRONT-MOUNT (Method A)

Installing the unit

1. Dashboard
2. Holder

After inserting the holder into the dashboard, select the appropriate tab according to the thickness of the dashboard material and bend them inwards to secure the holder in (Fig. 1) place.

3. Screw



(Fig. 1)

EN

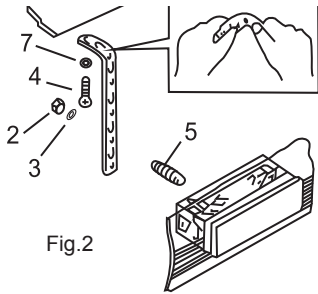


Fig.2

1. Dashboard
2. Nut(5 mm)
3. Spring Washer
4. Screw (5x25mm)
5. Screw
6. Strap
7. Plain Washer

Be sure to use the strap to secure the back of the unit in place. The strap can be bent by hand to the desired angle.

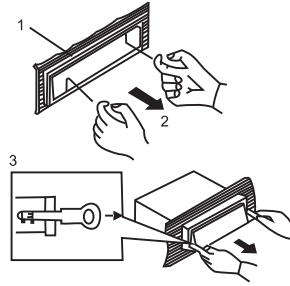


Fig.3

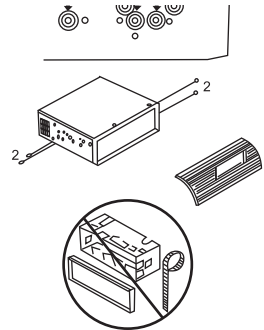
1. Frame
 2. Insert fingers into the groove in the front of frame and pull out to remove the frame. (When reattaching the frame, point the side with a groove downwards and attach it.)
 3. Lever
- Insert the levers supplied with the unit into the grooves at both sides of the unit and shown in figure until they click. Pulling the levers makes possible to remove the unit from the dashboard.

DIN REAR-MOUNT (Method B)

Installation using the screw holes on the sides of the unit

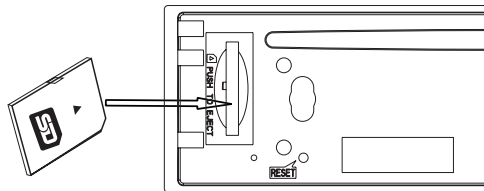
Fastening the unit to the factory radio mounting bracket:

1. Select a position where the screw holes of the bracket and the screw holes of the main unit become aligned (are fitted), and tighten the screws at 2 places on each side. Use either truss screws (5 > 5mm) or flush surface screws (4 x 5mm1)
2. Screw
3. Dashboard or Console



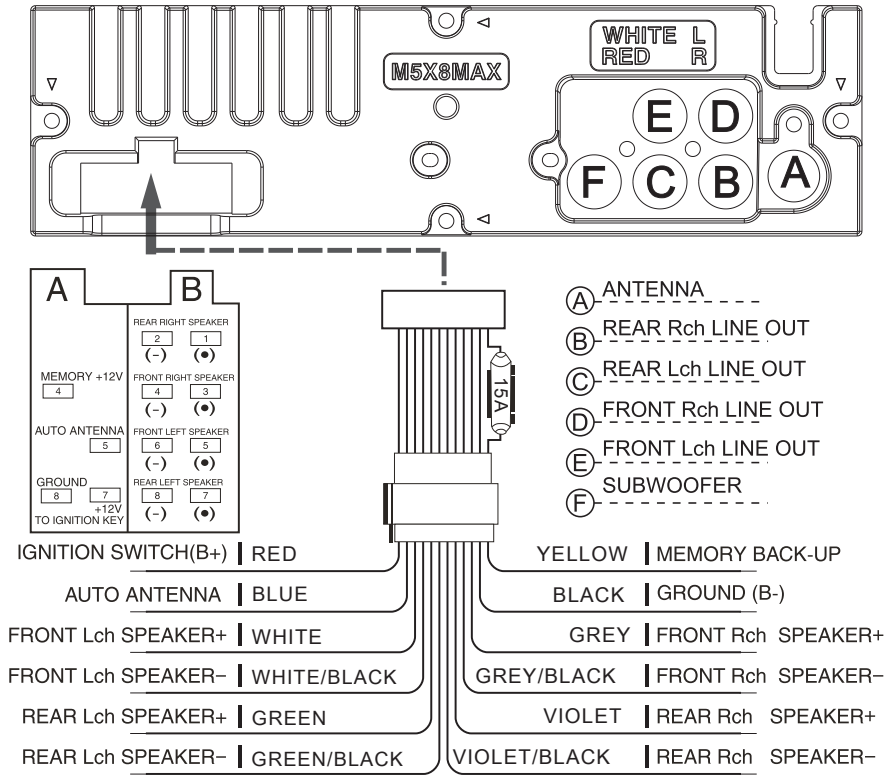
INPUT THE SD CARD

The SD oblique angle keeps Rightward exposure, put into the SD slot and press it again to eject.



EN

WIRE CONNECTION DIAGRAM

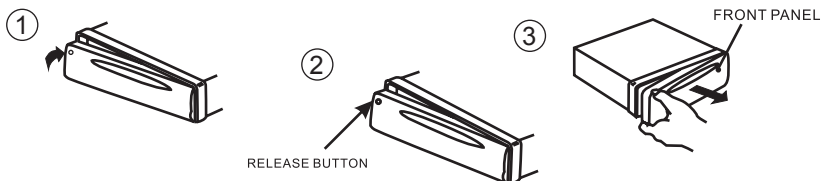


HOW TO INSTALL AND REMOVE THE FRONT PANEL

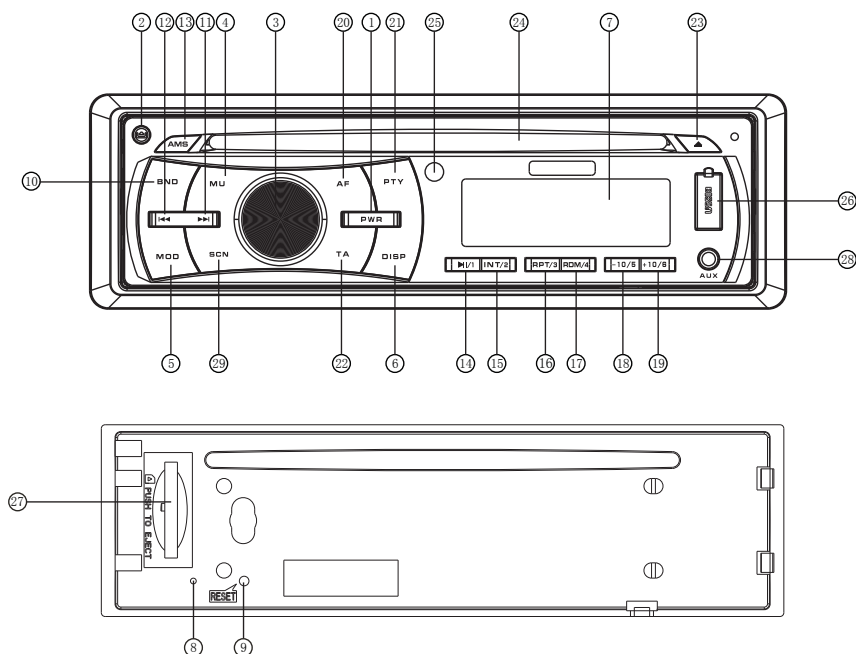
EN

INSTALLING THE FRONT PANEL

To install the front panel, insert the panel into the housing and make sure the panel is properly installed, otherwise abnormalities occur on the display or some keys will not function properly.



FRONT PANEL LAYOUT



- | | |
|--------------------------------------|------------------------------------|
| 1. Power Button | 15. Intro & Preset Button 2 |
| 2. Release Button | 16. Repeat & Preset Button 3 |
| 3. Volume / Sel Button | 17. Random & Preset Button 4 |
| 4. Mute Button | 18. Preset Button 5 |
| 5. Mode switch | 19. Preset Button 6 |
| 6. Disp-color setting | 20. Alternative Frequencies Button |
| 7. LCD Display | 21. Programme Type Button |
| 8. Flashing LED | 22. Traffic Announcement Button |
| 9. Reset Button | 23. Eject knob |
| 10. Band switch / ID3 select | 24. CD Slot |
| 11. Tune Seek & Track forward Button | 25. Remote Control Sensor |
| 12. Tune Seek & Track reverse Button | 26. USB connector |
| 13. Automatically memory storing | 27. SD/MMC Slot |
| 14. Play/Pause & Preset Button 1 | 28. AUX IN JACK |
| | 29. SCN Button |

EN

GENERAL OPERATIONS

ON / OFF

Press POWER button (1) to turn on the unit. Press it more than 1 second to turn off

FRONT PANEL RELEASE

Press REL button (2) to detach the removable front panel

SOUND ADJUSTMENT

Turn on (3) can adjust the desired volume quality.

Press SEL button (3) will change in the following order.

Option:



VOLUME

Rotating this knob, you can adjust VOL/BASS/TREB/BAL/FAD. To select the functions, press the VOL knob shortly until the desired functions are shown on the display.

Increase or decrease the volume by turn the VOL knob right or left. These buttons can be used to adjust the BASS, TREBLE, BALANCE and FADER.

BASS

Press VOL/SEL button(3) one time. Adjust bass level by using VOL/SEL(3) Knob.

TREBLE

Press VOL/SEL button(3) two times. Adjust treble level by using VOL/SEL(3) Knob

BALANCE

Press VOL/SEL button(3) three times. Adjust sound balance between left and right speakers by using VOL/SEL(3)Knob.

FADER (optional)

Press SEL button(3) four times. Adjust sound balance between front and rear speakers by using VOL/SEL(3) Knob.

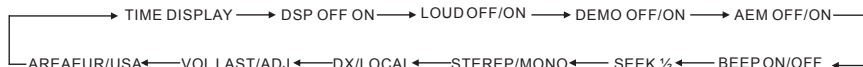
EN

MUTE

Press MUTE button (4) to mute down the sound. Press it again to release this mode and recover previous volume level.

OTHERS ADJUSTMENT

Press VOL/SEL button (3) for several seconds, it is activated as cyclical mode of following functions for user's selection.



Press and hold this button will go to different modes:

Press and hold will go to DSP mode automatically:

by turning this function button to choose Flat ,CLASSIC , Pop and Rock'

by press the function button to select your favorite DSP mode.

When in the DSP mode,press the function button once will to ESP mode:

by turning the function button to choose 12 secods or 45 seconds ESP.

by press the function button to select your desire ESP seconds.

When in the DSP mode,press the function button twice will go to BEEP mode (the key pad tone) by turning the function button to choose on or off by press the function button to select on or off.

VOL LAST/ADJUST

This function allows to set the volume level of the unit after it was turned off and then turned on again Choose VOL LAST if you want the volume level to be the same as it was before turning off VOL ADJUST allows to choose volume level.

SEEK MODE

SEEK 1: When SEEK 1 mode is activated, AUTO SEEK SCAN is stopped when station is detected even user still push SEEK button.

SEEK 2: Auto SEEK SCAN is not stopped even if station is detected if user pushes SEEK button. When releases SEEK button, then stop when station is detected.

SELECT MODE

By pressing this button(5) to go to different function mode:

-Tuner (radio)

-USB

to go to this mode USB device must be connected.

- Memory Card

to go to this mode must be have a Memory Card in.

-AUX in put

TIME ADJUSTING

Press and hold the SEL button until the current time is displayed. Then Press the vol "+" to adjust hours, and press the vol "-" to adjust minutes. After you finish the time adjustment, press SEL button to confirm the time setting.

LIQUID CRYSTAL DISPLAY

Exhibit current frequency and activated functions on the display (7).

FLASHING LED

When ACC off ,take out the from panel from main unit that the LED (8) will be flashing.

RADIO OPERATIONS

BAND SELECTION

At tuner mode, press BAND button (10) to select the desired band. The reception band will change in the following order:



STATION SELECTION

Press TUNE/SEEK/TRACK FORWARD button (11) or TUNE/SEEK/TRACK REVERSE button (12) shortly for manual tuning function.

Press for several seconds the automatic tuning mode (SEEK mode) is selected.

AUTOMATICALLY MEMORY STORING & PROGRAM SCANNING

-Automatically Memory Storing

Press AMS(MP3) button (13) for several seconds, the radio searches from the current frequency and checks the signal strength until one cycle search is finished.

And then 6 strongest stations are stored into the corresponding preset number button,

- Program Scanning

Press AMS(MP3) button (13) shortly to scan preset station. When the AMS mode is carry out, "INT" appear on LCD display, the unit scan each stored station for 5 seconds, you also can press the corresponding number button or AMS button. Your desired station will start playing.

STATION STORING

Press preset button (14~19)

1) RADIO MODE.

M1 ~ M6

- PRESET MEMORY is loaded when key is pressed for less than 1 second.

- PRESET MEMORY is saved when key is pressed for longer than 1 sec.

2) CD/MP3/FLASH MP3

PLAY/ PAUSE

Press preset button (14) is activated. During a PAUSE, DISC INDICATOR flashes.

TOP - First song will play when Top key is pressed for longer than 0.5 sec during play.

INT

Press preset button (15) During INTRO ON, INT indicator comes on and begins playing the first 10sec of each song, until the last song is played. It begins playing the entire track from where INT started

EN

MO/ST SELECTOR

Press SEL button and select ST MONO or STEREO mode. When "ST" appears in the LCD display. During the player mode, press the button to switch left speaker/right speaker/stereo.

LOC/DX SELECTOR

Press SEL button and choose LOC to select strong or weak station reception. It is set to LOC mode when LOC(21) button is first pressed. "LOO" appears and only local station is available. It is switched to DX mode when LOC(21) button is pressed again. Both distance and local stations can be received.

LOUDNESS ON/OFF

Press SEL button, and choose LOU to increase the low frequency. This can improve the sensitivity of your ears. And "LOUD" appears in the LCD when the loudness mode is activated.

SCAN

Press scan button (29) to search radio station. When a station signal strength level is more than the level to stop The radio will playing the station for 5 seconds and the frequency blinking on the LCD at the same time.

Press and hold scan button (29) more than 3 seconds to select the station which you desired The radio will start play the station.

AREA SETUP

In Radio mode Press SEL button for several seconds, LCD will be show from DSP OFF/ON AREAUSA/EUR. At AREA USA/EUR. You can use VOL +/- to select the AREA frequency.

CD/SD/MMC/USB OPERATIONS

Discs for playback:

This unit can play disc types: CD/CD -R/-RW.

Compatible with formats: CDDA/MP3/WMA.

Loading and ejecting a disc

1. Turn the power on.
2. Insert the disc with the printed side facing upward into the slot.
3. Press EJECT button to eject the disc.

Multi-media card MMC/SD card slot

Support MP3/WMA ID3 format music only. Detach the front panel. Carefully insert the SD/MMC card into the card slot on the inner panel. Attach the panel. Unit starts playback automatically.

USBjack

Carefully connect the USB driver to the USB adapter cable and then insert it into the USB jack on the front panel. Unit starts playback automatically.

USBISD/MMC notes:

USB functions (flash memory type) MP3 music play.

1. SD/MMC card support.
2. FAT 12/ FAT 16/ FAT 32 is possible
 - FAT 12/16 (dir: 200 support, file:500 support).
 - FAT 32 (dir: 200 support, file:500 support).
3. Filename: 32 byte Dir name: 32byte.
4. Tag (id3tag ver2.0)
 - Title/Artist/Album: 32 byte support.
5. Multi card reader not support.
6. USB 2.0 support.

Note:

USB format supports 2.0.

Capacity: up to 32 GB.

SD cards brands: Cannon, Fuji film, Palm, Motorola, Microsoft, IBM, HP, Compaq, Sharp, Samsung, etc.

Capacity: up to 32 GB.

MMC cards brands: Ericsson, Nokia, Motorola, HP, Palm, Sanyo, Microsystems etc.

Capacity: up to 32 GB.

Note: Because of the great variety of products with SD and MMC card slots and their sometimes quite manufacturer-specific functions the producer can neither guarantee that all devices will be recognized nor that all operating options that are possible in theory will actually work.

EN

CD/SD/MMC/USB OPERATIONS

Id3 Tag information

This unit supports ID3 tag ver2.0. If an MP3/WMAfile has IDS Tag information, it will be displayed on the LCD. If there is no ID3 Tag information, nothing will be shown on LCD. The ID3 Tag information may include File, Folder, Music,Album or Artist data.

NEXT/PREVIOUS

Press NEXT/PREVIOUS buttons to choose next or previous track, Press longer than 1 sec., to choose forward playback or backward playback.

PLAY/PAUSE

Press PAUSE button to pause the playback, press one more time to resume the normal playback.

INTRO (Preview all Tracks)

When this button is pressed, "INT ON" indication is displayed and the first several seconds of each track of the disc is played. Press again to stop intro and listen to track.

REPEAT

When RPT button is pressed, "PT ON" indication is displayed and playback of the selected track will be continually repeated until the track repeat mode is cancelled by pressing RPT button again.

RANDOM

When RDM button is pressed,"RDM ON" indication is displayed and each track of the disc is played in random instead of normal order. To cancel RANDOM mode, press RDM button again.

TRACK DOWN/UP SELECT (In case ofMP3/WMAfiles)

-10/5 button: 10 Track down

+10/6 button: 10 Track up

Selection of MP3/WMA files

1. Searching Time:

- Press AMS one time, then searching time is activated.
- Turn VOL knob to right or left, select the time you want.
- Press VOL knob, then the select time of the song will play

2. Searching Track:

- Press AMS twice, then searching track is activated.
- Turn VOL knob to right or left, select the track you want.
- Press VOL knob, the song you selected will start.

EN

CD/SD/MMC/USB OPERATIONS

3. Searching File Name:

- Press AMS 3 times, then file search is activated.
- Press VOL knob, then the first directory is displayed.
- Turn VOL knob to right or left, you can select the directory you want.
- Press VOL knob again, then the directory is fixed and the first file name is displayed.
- Turn VOL knob to right or left, you can select the file you want.
- Press VOL knob, then the song you selected will start.

4. Searching Character:

- Press AMS 4 times, then character search mode is activated.
- Press VOL knob, then ' character is displayed.
- Turn VOL knob to right or left, you can select the letter you want.
- Press VOL knob longer than 2 sec.
- The song which has same character you selected is displayed.
- Turn VOL knob to right or left, you can select the song you want.
- Press VOL knob, then the song you selected will start.

RDS (RADIO DATA SYSTEM) OPERATION

AF :Alternative Frequencies

~ Setting RDS Mode Press AF button (20) and release immediately to switch on or off RDS mode. Whenever RDS is switched on, symbol "AF" appears on the display.

AF / REG

AF

- AF I REG key directs the activation of AF SEARCH.
- AF indicator is displayed when AF is ON, AF search is activated when reception is bad.
- During FM MODE, when AF is ON, SEEK, SCAN, AUTO, MEMORY function can only receive and save RDS program. However, when Italy option is in use, regardless of RDS programs that satisfy SD LEVEL Can be received and saved.

Indicator	Condition
AF ON	AF ON MODE, RDS information is received.
AF OFF	AF OFF MODE
AF blink	AF ON MODE, RDS information is not received.

REGION

- AF MODE is converted to REGION ON I OFF MODE when AF ON MODE 15 pressed for longer 1sec.
- ON : PI CODE is checked when AF CHECK in progress
- OFF: PI CODE and COVERAGE AREA is not checked when AF CHECK in progress.

PTY

RADIO MODE

- Previous PTY is displayed when PTY key (21) is pressed. If there are no keys entered for 2 seconds, previously selected PTY is searched. During 1 LOOP, if desired PTY is not found, NO PTY is displayed.

- 2 program types are SPEECH and MUSIC.

By pressing PTY once, MUSIC is entered. When PTY is pressed the second time, SPEECH is entered.

M1~M6 keys can be used to select the desired program type.

TA

TA button (22) is operated as follows:

- TA is turned ON / OFF and TA indicator is displayed. When traffic announcement is transmitted, regardless of the mode, traffic announcement is received.

EN

If VOLUME LEVEL is below 20, VOLUME LEVEL is raised to 20, and returns to its previous mode and volume level when the traffic announcement is over.

If volume is adjusted during traffic announcement, only the previous volume is valid.

- When TA is on, SEEK, SCAN, AUTO MEMORY function can be received or saved only when traffic program identification code has been received.

- When TA is ON, traffic program identification code is not received during specified time.

TAALARM : NO TA/ TP is displayed and alarm is set off.

TA SEEK : TA SEEK is activated.

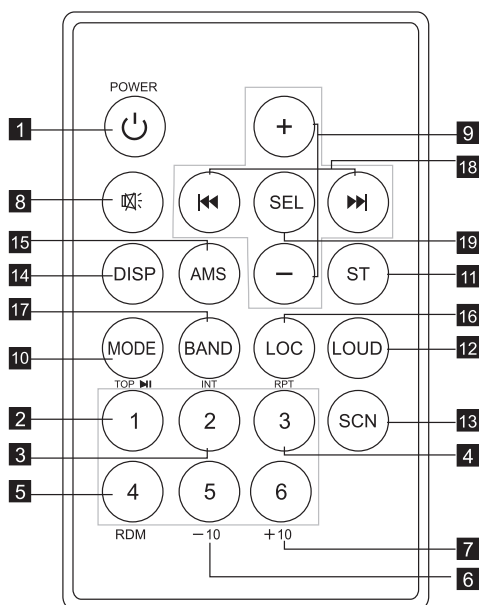
MP3 / WMA

- MP3 is short for MPEG Audio Layer 3 and refers to an audio compression technology standard.
- This product allows playback of MP3 files on CD-ROM, CD-R or CD-RW discs.
- The unit can read MP3 files written in the format compliant with ISO 9660. However it does not support the MP3 data written by the method of packet write
- The unit can not read an MP3 file that has a file extension other than “.mp3”
- If you play a non- MP3 file that has the “.mp3” extension, you may hear some noise.
- In this manual, we refer to what are called “MP3 file” and “folder” in PC terminology as “ track “ and “ album “, respectively.
- Maximum number of directory level is 8, including the root directory. Maximum number of files and folders per disc is 256.
- The unit may not play tracks in the order of Track numbers.
- The unit plays only the audio tracks if a disc contains both audio tracks and MP3 files.
- When playing a disc of 8 kbps or “VBR”, the elapsed playing time in the display window will not be correct and also the intro play may not function properly. “ VBR “:Variable Bit Rate.
- The unit supports the playback of WMA files. The playback of ID3 tags for WMA format is not guaranteed, it depends on versions and availability of Cyrillic alphabet.
- WMA(Windows Media Audio) -music data compression format, created by Microsoft Corporation. This format uses coding algorithm for compression of initial audio-record, greatly decreasing the file size, but, saving the good sound quality even when the bit rate is low (for example, 64 Kbit/s).
- Remember that the unit may not play the tracks in order they are written on disc

Notes on creating your own CD-R or CD-RW containing MP3 files:

- To enjoy high quality sound, we recommend converting to MP3 files with a sampling frequency of 44.1 kHz and a fixed bit rate of 128 kbps. DO NOT store more than 256 MP3 files per disc.
- ~ For ISO 9660 - compliant format, the maximum allowable depth of nested folders is 8, including the root directory (folder).
- When CD-R disc is used, playback is possible only for discs, which have been finalized.
- Make sure that when MP3 CD-R or CD-RW is burned that it is formatted as a data disc and NOT as an audio disc.
- You should not write non-MP3 files or unneeded folders along with MP3 files on the disc otherwise it takes a long time until the unit starts to play MP3 files.
- With some CD-R or CD-RW media, data may not be properly written depending on its manufacturing quality. In this case, data may not be reproduced correctly. High quality CD-R or CD-RW disc is recommended.
- Up to 16 characters are displayed for the name of an Album or a Track. ID3TAG version 1.x is required.
- Note that the unit may not play Tracks in the order that you wrote them to the disc.

REMOTE CONTROL LAYOUT



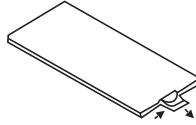
- | | |
|------------------------------------|---|
| 1. PowerButton | 10. Mode Switch |
| 2. Pause / Play / Preset Button1 | 11. Alternative Frequencies Button |
| 3. Intro / Preset Button2 | 12. TrafficAnnouncement Button |
| 4. Repeat Playing / Preset Button3 | 13. Scan Button |
| 5. Random / Preset Button4 | 14. APS / AMS Button |
| 6. Preset Button5 | 15. Programe Type Button |
| 7. Preset Button6 | 16. Band Switch |
| 8. Mute Button | 17. Tuning / Selecting Tracks / F F / F R |
| 9. Volume Control | 18. Select Button |

EN

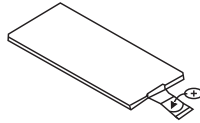
Replacing the Battery

When the operational range of the remote control becomes short or non functions while operating Replace a new CR2025 battery Make sure the battery polarity before replacement

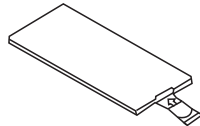
1. Pull out Battery Holder while pressing the stopper



2. Put the button type battery(+)mark upward into the Battery Holder



3. Insert the Battery Holder into the Remote control



SPECIFICATION

General

Power Supply Requirements:	DC 14,4V, Negative Ground
Load Impedance	4 ohms
Maximum Output Power:	40W X 4(CH)
Chassis Dimensions:	178x163x50mm(WxDxH)
Current Drain:	15A

Tone Controls

Bass (at 100Hz):	+10dB/-10dB
Treble (at 10K):	+10dB/-10dB

USB/SD MUSIC Player

Signal to Noise Ratio:	More than 60dB
Channel Separation:	More than 60dB
Frequency Response:	20Hz-20KHz

FM Radio

Frequency Coverage (MHz):	87.5 - 108MHz
IF:	10.7MHz
Sensitivity (S/N-30dB):	12dBu
Stereo Separation:	>30dB

AM Radio

Frequency Coverage (KHz):	522 - 1620KHz
IF:	450KHz
Sensitivity (S/N-20dB):	42dBu

Remarks

Specifications subject to change without notice.

EN English



**Correct Disposal of This Product
(Waste Electrical & Electronic Equipment)**



(Applicable in the European Union and other European countries with separate collection systems)

This marking shown on the product or its literature, indicates that it should not be disposed with other household wastes at the end of its working life. To prevent possible harm to the environment or human health from uncontrolled waste disposal, please separate this from other types of wastes and recycle it responsibly to promote the sustainable reuse of material resources.

Household users should contact either the retailer where they purchased this product, or their local government office, for details of where and how they can take this item for environmentally safe recycling. Business users should contact their supplier and check the terms and conditions of the purchase contract. This product should not be mixed with other commercial wastes for disposal.

Made in China for LECHPOL Zbigniew Leszek, Miętne, 1 Garwolińska Street 08-400 Garwolin.

BEFORE PLAYING DISCS

Cleaning the CD

Before playing a CD, wipe it off with a clean, dust-free cleaning cloth wipe the disc in the direction of the arrow.



Always insert the CD with the label side facing upwards. If the CD is inserted with the printed side facing downwards, the device may be damaged.



Note: If there is already a CD in the CD slot, do not try to insert a second CD. This may damage the device. Always hold CDs by the edge. In order to keep the CD clean do not touch the surface. Pull out the CD as follows.



Do not attach any sticker or adhesive tape on the CD.

Do not expose the CD to direct sunlight or sources of heating.

Do not leave CDs in a car if it parked in direct sunlight as that will lead to a considerable rise in the temperature inside the car.

Note: Do not use any solvents such as petrol or thinning agents. Commercially available cleaning substances of antistatic spray will damage the device.

EN

TROUBLE SHOOTING

Before going through the check list, check wiring connection. If any of the problems persist after checklist has been made, consult your nearest service dealer.

Symptom	Causes	Solution
No power	The car ignition key not been switched on	if the power supply is properly connected to the car accessory terminal, switch the ignition key to ACC
	The fuse is blown	Replace a new fuse
CD cannot be loaded or ejected	A CD is already inside the player slot	Remove the CD from the player and insert the new one
	Inserting the CD in reverse direction	Insert the on with the label facing up
	The CD is extremely dirty or defected	Clean the CD or try to play a new one
	Temperature inside the car is too high	Cool off until the ambient temperature return to normal
	Condensation	Leave the player off for an hour or so and try again
No sound	Volume is at minimum	Adjust volume to desired level
	Wiring is not properly connected	Check wiring connection
Sound skipping	The installation angle is more than 30°	Adjust the installation angle to less than 30°
	CD is extremely dirty or Defected	Clean the CD or try to play a new one
The Operation Keys Do Not Work	The built-in microcomputer is not operating properly due to Interference	Press the RESET button or reinstall the front panel properly
The Radio or Automatic Selection Does Not Work	The antenna cable is not connected correctly	Connect the antenna cable correctly
	The signals are too weak	Select the station manually

EN

CD/DVD New feature and operation notice

1. DOS (Dynamic Open Screen)

The Dynamic Open Screen (Motion effect) when unit power on. Press any key to stop and return to the current mode.

DEMO ON:

Long press SEL key (chang to SEL mode), then short press SEL to select Demo ON/OFF, rotate Volume knob to set Demo ON, Then press SEL to confirm. The Dynamic Open Screen display will repeatedly.

DEMO OFF:

Press SEL key, rotate Volume knob to set Demo OFF , press SEL to confirm, then back to default status

2. RGB (Customize RGB Color illumination)

The illumination color keep changing when unit Power on.

Fixed Color Setting:

Long press DISP key , rotate Volume to select Auto OFF, short press DISP to select fixed color from blue, green, red, orange, purple and while.

Customize Color Setting:

Long press DISP key rotate Volume to select Auto OFF, press DISP to enter customize color setting:

e.g. RED - rotate volume to select 00~32, press DISP to confirm the setting.

GREEN- rotate Volume to select 00~32, press DISPt o confirm the setting.

BLUE - rotate Volume to select 00~32, press DISP to confirm the setting.

3. IPC (iPhone Control Music)

With this function, the music in iPhone can be played on head unit, and can be controlled by head unit to operate PLAY/PAUSE, PREV, NEXT.

Press Mode button to select Aux model. Connect iPhone to Aux in with provided cable (option to be sold separately).

Below two brackets are provided for your choice:



EN

4. AEM (Aux Extend voice control Mode)

GPS traffic broadcasting:

Under any mode, connect iPhone to AUX in, activate GPS Navigation function on the phone (The phone must have this Apps).

Set AEM ON, while GPS Navigation traffic broadcasting, the radio sound of current mode will be decreased, if the Navigation stop broadcasting over 5 sec, the radio sound will be back to play.

AEM ON:

Long press SEL key, then short press SEL to select AEM ON/OFF, rotate Volume knob to set ON, AEM function activated.

AEM OFF:

Repeat above steps, just in the last step, set OFF to deactivate AEM function.

‘ Connect iPhone to Aux in with provided cable (option to be sold separately).

**** When AEM ON, any audio source from iPhone can be broadcasted to Headunit.**

Below two brackets are provided for your choice:



5. IPH (iPhone Handfree)

Answering Phone Calls:

Under any mode, connect iPhone to AUX in, when call's coming , press PLAY key or Mobile Phone's answer key to answer it.

Press again to hang up, During answer call,The sound of current mode will be decreased If the Call finish over 5 sec, the sound will be back to play.

- IPC, AEM, IPH functions support iPhone, some smartphone models of Motorola, HTC, T-Mobile, BlackBerry, LG and Sumsung (which comply with iPhone's socket 4H / 3.5mm). e.g. Motorola XT615, LG920, Sumsung Galaxy Note....etc.

**** Support compatibility subject to change without further notice & not guarantee.**

Below two brackets are provided for your choice:

EN



INHALT

<i>Instalation</i>	26
<i>Anschlussdiagramm</i>	28
<i>Frontplatte</i>	29
<i>Allgemeine Funktionen</i>	30
<i>Radio Funktionen</i>	33
<i>CD/SD/MMC/USB Funktionen</i>	35
<i>RDS Funktionen</i>	38
<i>Überblick MP3/WMA</i>	39
<i>Fernbedienung</i>	40
<i>Technische Daten</i>	42
<i>Allgemeine Hinweise For Der CD Inbetriebnehme</i>	43
<i>Störungsbehebung</i>	44
<i>CD/DVD Neue funktionen und bedienungshinweise</i>	45

INSTALLATION

VORSICHTSMASSNAHMEN

Der Ort der Montage sollte so gewählt werden, dass das Gerät den Fahrer nicht stört. Vor dem endgültigen Einbau, vorübergehend Gerät mit Spannung versorgen und sicherstellen, dass es richtig angeschlossen ist und dass sowohl das Gerät als auch das System in normalen Parameter funktionieren.

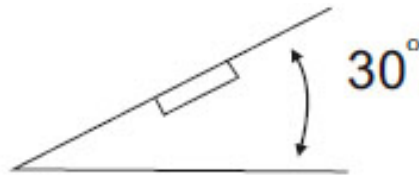
Verwenden Sie nur die mitgelieferten Teile zur korrekten Installation. Die Verwendung anderer Bauteile kann zu Störungen oder Geräteschäden führen.

Fragen Sie Ihren nächstgelegenen Autohändler, wenn die Installation Bohrungen oder sonstige Änderungen des Autos erfordert.

Installieren Sie das Gerät so, dass es nicht den Fahrer stört und die Passagiere nicht verletzt im Falle eines plötzlichen Bremsmanövers, wie eine Not-Bremung.

Installieren das Gerät nicht an Orten, wo es hohen Temperaturen, wie Sonnenlicht, warme Luft, heiße Luft von der Heizung oder an Orten mit Staub, Schmutz oder starken Vibrationen ausgesetzt ist.

Schützen Sie das Gerät vor Feuchtigkeit.



FRONTMONTAGE (Methode A) Geräteeinbau

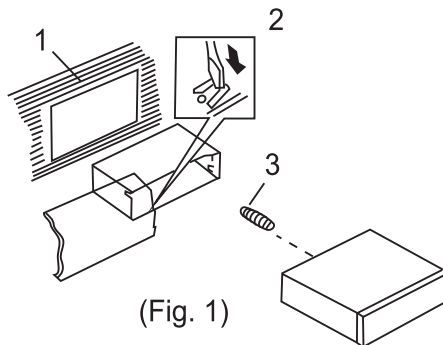
Zum Einbau beobachten Sie Abb.1 oder Abb.2

1. Armaturenbrett

2. Halter

Nach dem Einlegen des Halters in das Armaturenbrett, wählen Sie die Spangen abhängig von der dicke des Armaturenbrettes und biegen Sie diese um das Gerät zu befestigen. (Abb.1)

3. Schraube



DE

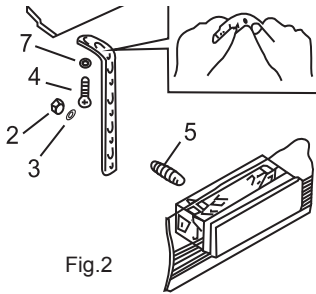


Fig.2

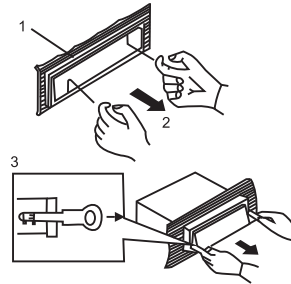


Fig.3

1. Tablou de bord
2. Piulita (5mm)
3. Saiba de siguranta
4. Surub (5 x 25mm)
5. Surub
6. Banda

Folositi banda pentru a fixa partea din spate a aparatului. Banda poate fi indoita pana in unghiul dorit.

7. Saiba fara filet.

1. Cadru
2. Introduceti degetele in canelura din fata cadrului si tragereti pentru a scoate cadrul. (Pentru a fixa cadrul inca o data, formati alte orificii si atasati aparatul).
3. Cheita

Introduceti cheita cu care este dotat aparatul in canelura din ambele parti ale aparatului, pana cand auziti un pocnet. Aceasta va face posibila inlaturarea aparatului din tabloul de bord.

MONTARE PRIN SPATE (Metoda B)

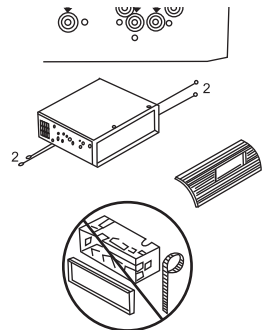
Instalarea se face folosind gaurile suruburilor de pe extremitatile aparatului .

Fixarea aparatului in lacasul original

Suport de montare:

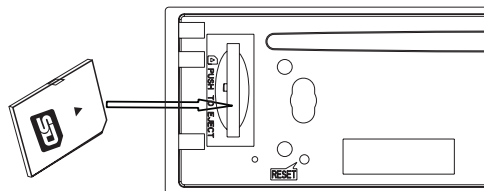
1. Alegeti o pozitie in care gaurile de surub ale suportului si cele ale unitatii centrale sa fie pe aceeasi linie si strangeti suruburile in doua locuri pe fiecare parte. Folositi fie suruburi de ancorare (5x5mm) fie suruburi cu cap ingropat (4x5mm).
2. Surub

3. Tablou de bord sau Consola.



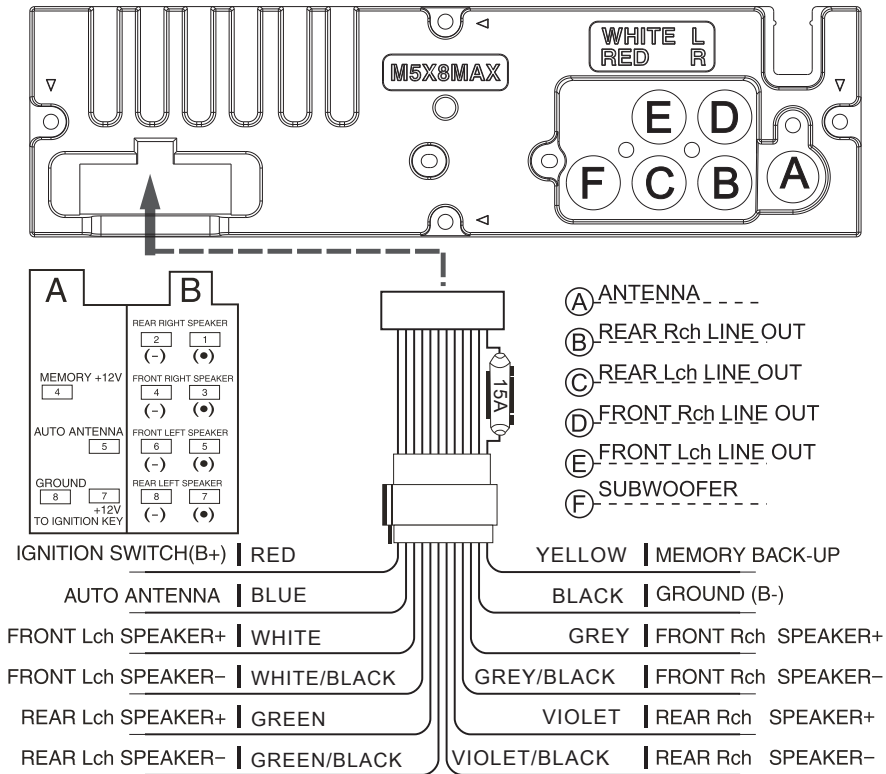
INTRODUCEREA CARDULUI SD

Unghiul oblic al cardului SD mentine expunerea descendentă: introduceti-l in spatiul SD si apasati inca o data pentru a-l scoate.



DE

WEITERE INFORMATIONEN ANSCHLUSSDIAGRAMM

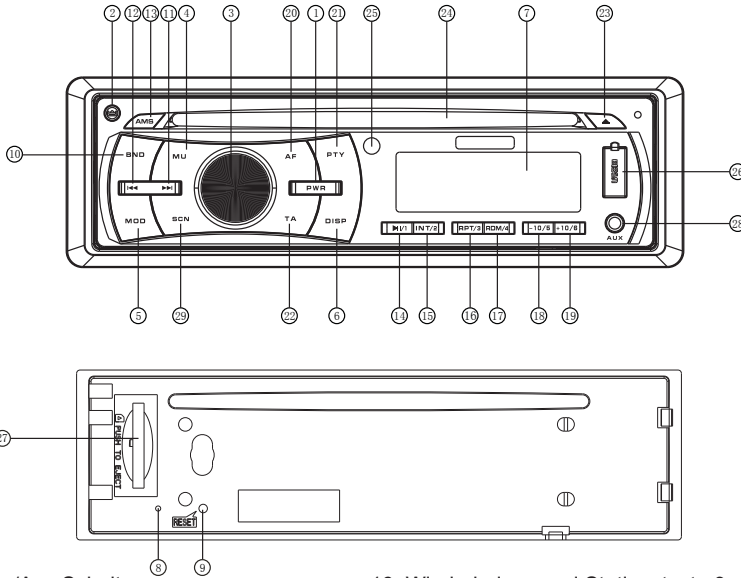


- A) ANTENNE
- B) LINIENAUSGANG HINTEN RECHTS
- C) LINIENAUSGANG HINTEN LINKS
- D) LINIENAUSGANG VORNE RECHTS
- E) LINIENAUSGANG HINTEN LINKS
- F) SUBWOOFER

IGNITION SWITCH (B+); RED – ZÜNDSCHLÜSSEL (B+); rotes Kabel
 AUTO ANTENNA, BLUE – ANTENNENANSCHLUSS, blaues Kabel
 FRONT Lch SPEAKER „+“, WHITE –LAUTSPRECHER VORNE LINKS „+“, weißes Kabel
 FRONT Lch SPEAKER „-“, WHITE/BLACK –LAUTSPRECHER VORNE LINKS „-“, schwarz/weiß Kabel
 REAR Lch SPEAKER „+“, GREEN – LAUTSPRECHER HINTEN LINKS „+“, grünes Kabel
 REAR Lch SPEAKER „-“, GREEN/BLACK – LAUTSPRECHER HINTEN LINKS „-“, grün/schwarz Kabel
 MEMORY BACKUP, YELLOW – STROMVERSORGUNG SPEICHER, gelbes Kabel (an + Anschließen)
 GROUND, BLACK – MASSEANSCHLUSS, schwarzes Kabel
 FRONT Rch SPEAKER „+“, GREY –LAUTSPRECHER VORNE RECHTS „+“, graues Kabel
 FRONT Rch SPEAKER „-“, GREY/BLACK – LAUTSPRECHER VORNE RECHTS „-“, grau/schwarz Kabel
 REAR Rch SPEAKER „+“, VIOLET – LAUTSPRECHER HINTEN LINKS „+“, violetttes Kabel
 REAR Rch SPEAKER „-“, VIOLET/BLACK – LAUTSPRECHER HINTEN LINKS „-“, violett/ schwarz Kabel

DE

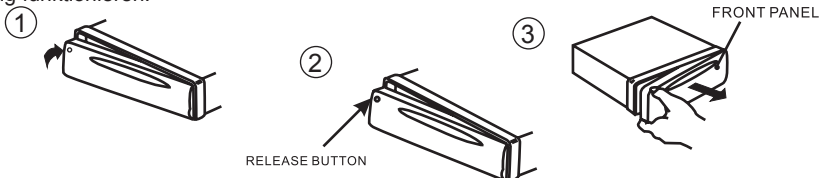
ALLGEMEINE FUNKTIONEN FRONTPLATTE



- | | |
|---|--|
| <ol style="list-style-type: none"> 1. Taste Ein/Aus Schalter 2. Taste Lösen der Frontplatte 3. Lautstärkeregler / Auswahltaste 4. Taste Ton Aus 5. Taste Auswählen 6. Taste Display 7. LCD Display 8. Blinkende LED 9. Taste Reset 10. Taste Wellenbereich /ID3 11. Taste Frequenz suchen / Schneller Vorlauf 12. Taste Frequenz suchen / Schneller Rücklauf 13. Taste Automatische Speicherung 14. Taste Start / Pause und Stationstaste 1 | <ol style="list-style-type: none"> 16. Wiederholung und Stationstaste 3 17. Zufallsgesteuerte Reihenfolge und Stationstaste 4 18. -10/Stationstaste 5 19. +10/Stationstaste 6 20. Taste Alternative Frequenzen 21. Taste Programmtyp 22. Taste Verkehrsdurchsagen 23. Taste Auswerfen 24. CD Fach 25. Sensor für Fernbedienung 26. USB Steckplatz 27. Steckplatz für SD/MMC Karte 28. AUX Eingang 29. Taste SCAN |
|---|--|

EINSETZEN DER FRONTPLATTE

Frontplatte in das Gehäuse einsetzen und stellen Sie sicher dass die Frontplatte korrekt eingesetzt ist, andernfalls treten Abweichungen auf dem Display auf, oder einige Tasten werden nicht richtig funktionieren.



DE

ALLGEMEINE FUNKTIONEN

EIN / AUS-SCHALTEN/TON AUS

Drücken Sie den Ein/Aus Schalter (1) um das Gerät einzuschalten. Nochmaliges drücken und gedrückt halten schaltet das Gerät aus.

ABNEHMEN DER FRONTPLATTE

Drücken Sie die Taste Entriegeln der Frontplatte (2) zum entfernen der Frontplatte.

REGLAREA SUNETULUI

Accesand aceasta setare (3) puteti regla calitatea volumului dorita. Apasati butonul SEL (3) pentru a schimba setarile in urmatoarea ordine:



LAUTSTÄRKE

Durch drehen der Taste (3) kann die gewünschte Lautstärke geregelt werden. Drehen der Taste VOL nach rechts erhöht die Lautstärke; drehen der Taste VOL nach links verringert die Lautstärke;

Hinweis: Werkseitig ist das Gerät auf Lautstärkeregelung eingestellt.

BASS

Drücken Sie die Auswahlstaste (3) SEL einmal. Regeln Sie den Bass durch drehen der Taste (3) VOL/SEL.

TREBLE

Drücken Sie die Auswahlstaste (3) SEL zweimal. Regeln Sie die hohen Töne durch drehen der Taste (2) VOL/SEL.

BALANCE

Drücken Sie die Auswahlstaste (3) SEL dreimal. Regeln Sie die Balance zwischen rechten und linken Lautsprecher durch drehen der Taste (3) VOL/SEL.

FADER (optional)

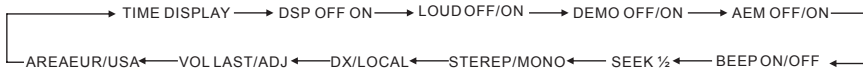
Drücken Sie die Auswahlstaste (3) SEL viermal. Regeln Sie die Balance zwischen vordere und hintere Lautsprecher durch drehen der Taste (3) VOL/SEL.

DE TON ABSCHALTEN

Wählen Sie „MUTE ON“ (4) der Ton wird abgeschaltet; Wählen Sie „MUTE OFF“ der Ton wird wieder eingeschaltet.

ANDERE EINSTELLUNGEN

Halten Sie die Auswahlstaste (3) für zwei Sekunden gedrückt; folgende Optionen werden zyklisch wie folgt aktiviert:



Drücken und halten der Taste aktiviert folgende Funktionen:

OPTION DSP (EIN/AUS)

Drücken und halten der Taste aktiviert automatisch den DSP-Modus (Equalizer Funktion). Sie können wählen zwischen Pop, Rock, Klassik, Flat (niedriger in der Tonhöhe), oder DSP aus durch drehen des Lautstärkereglers. Kurzes drücken der Auswahlstaste aktiviert die Funktion.

OPTION ESP (CD – MODUS)

Im DSP-Modus durch einmaliges drücken wird ESP (Elektronischer Schockprotector) aktiviert: Durch drehen des Lautstärkereglers können Sie zwischen 12 Sekunden oder 45 Sekunden ESP wählen. Kurzes drücken der Auswahlstaste aktiviert die Funktion.

OPTION BEEP

Im DSP-Modus durch zweimaliges drücken wird BEEP ON/OFF aktiviert Durch drehen des Lautstärkereglers können Sie zwischen BEEP ON (EIN - es ertönt ein Piepton beim drücken der Tasten) oder OFF (AUS) wählen. Kurzes drücken der Auswahlstaste aktiviert die Funktion.

OPTION SUCHEN (SEEK 1/2)

SUCHEN 1 (SEEK 1): Wenn die Option SUCHEN 1 aktiviert ist, wird die AUTOMATISCHE SENDERSUCHE unterbrochen wenn ein Radiosender gefunden wird, auch wenn der Benutzer weiter die Taste SUCHEN drückt.

SUCHEN 2 (SEEK 2): Die Sendersuche wird nicht unterbrochen wenn ein Sender gefunden wird, auch wenn der Benutzer weiter die Taste SUCHEN drückt. Die Option wird bei Freilassung der Taste SUCHEN beendet sobald ein Sender erkannt wird.

OPTION LETZTE LAUTSTÄRKE/ REGELUNG (VOL LAST/ADJ)

Mit dieser Funktion können Sie die Lautstärke des Geräts beim einschalten einstellen. Wählen Sie VOL LAST, wenn Sie die Lautstärke vor dem ausschalten des Gerätes beibehalten wollen. Durch die Option VOL ADJUST können Sie die gewünschte Lautstärke einstellen.

TASTE FUNKTION

Durch drücken der Taste (5) können Sie verschiedene Funktionen auswählen:

- Frequenz (Radio)
- CD (MP3 CD)
- Für diese Funktion muss sich eine CD im Gerät befinden.
- SPEICHERKARTE
- Für diese Funktion muss sich eine Speicherkarte im Gerät befinden.
- USB
- Für diese Funktion muss ein USB - Speichermedium angeschlossen sein.
- AUX Komponente.

EINSTELLEN DER UHRZEIT:

Drücken Sie die Auswahltaste bis die aktuelle Uhrzeit angezeigt wird. Nun kann die Stundenanzeige durch drehen des Lautstärkereglers VOL+ Eingestellt werden. und die Minutenanzeige kann durch drehen des Lautstärkereglers VOL- Eingestellt werden. Nochmaliges drücken der Auswahltaste VOL/SEL und die Uhr ist eingestellt.

LCD - DISPLAY-ANZEIGE

In diesem Bereich werden Informationen zum Wellenbereich, zur Frequenz und zu anderen Einstellungen angezeigt. (7).

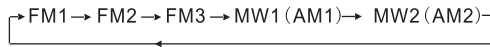
BLINKENDE LED

Wenn die Frontplatte nicht richtig einrastet blinkt die LED.

RADIO FUNKTIONEN

WELLENBEREICH AUSWÄHLEN

Im Radiomodus, durch wiederholtes drücken der Taste Wellenbereich () BAND, wird der Wellenbereich in folgender Reihenfolge ausgewählt:



RADIOSENDER AUSWÄHLEN

Im Radiomodus drücken Sie kurz die Tasten (11) Frequenz erhöhen (SEEK) oder (12) Frequenz verringern (SEEK) zur automatischen Suche eines Radiosenders.

Drücken Sie die Tasten (11) Frequenz erhöhen (SEEK) oder (12) Frequenz verringern (SEEK) länger als 1 Sekunde zur manuellen Einstellung des Senders.

AUTOMATISCHE SPEICHERUNG UND SENDERSUCHE

-Automatische Speicherung

Drücken Sie die Taste AMS (13) für einige Sekunden, das Radio sucht von der aktuellen Frequenz an und überprüft die Signalstärke bis ein Zyklus beendet ist. Nun sind die 6 stärksten Radiosender gespeichert in den zugehörigen Stationsspeicher.

- Programmsuche

Drücken Sie kurz die Taste AMS (13), um die gespeicherten Sender für kurze Zeit (5 Sekunden) anzuhören. Im Display wird INT angezeigt. Um den gewünschten Sender anzuhören können Sie die zugehörige Stationstaste oder die Taste AMS drücken.

SPEICHERN DER RADIOSENDER

Drücken Sie eine Stationstaste (14 ~ 19) im Radiomodus M1-M6

- Radiosender wird aus dem Speicher aufgerufen beim drücken der Taste unter 1 Sekunde
- Radiosender wird gespeichert beim drücken der Taste länger als 1 Sekunde.

STEREO/MONO

Wenn FM Sender schwach und unterbrochen empfangen werden, kann dieses durch Umschalten auf Mono-Wiedergabe verbessert werden.

LOCAL / DX

In Gegenden mit starkem Signal, durch Auswahl der Option „LOCAL“ werden nur lokale Sender mit starkem Signal empfangen. In Gegenden mit schwachem Signal, durch Auswahl der Option „DX“ werden alle Sender empfangen.

LOUDNESS EIN/AUS

Im Modus „LOUD ON“ werden die Bässe und Höhen angehoben.

SCAN

Drücken Sie die Taste SCAN (29) um Radiosender zu suchen. Wenn der Signalpegel größer ist als der Grenzwert, wird der Sender für 5 Sekunden übertragen und die Frequenzanzeige blinkt zugleich im LCD-Display. Halten Sie die Taste SCAN für länger als 3 Sekunden gedrückt zur Auswahl des gewünschten Senders. Das Radio beginnt die Wiedergabe des Senders.

ZONE AUSWÄHLEN

Im Radiomodus drücken Sie die Auswahltaste (3) SEL einige Sekunden. Im LCD Display erscheint BEEP ON >>AREA USA/EUR. Durch Drehen der Taste (3) VOL/SEL wird die Option USA oder EUROPA ausgewählt.

CD/SD/MMC/USB FUNKTIONEN

DISKS FÜR WIEDERGABE

Dieses Gerät kann folgende Disks abspielen: CD/CD -R/-RW

Kompatibel mit folgenden Formaten: CDDA/MP3/WMA.

CD EINLEGEN UND AUSWERFEN

1. Gerät einschalten
2. CD mit der bedruckten Seite nach oben in das Fach einlegen
3. Drücken Sie die Taste (23) um die CD anzuhalten und auszuwerfen.

MULTIMEDIAKARTE MMC/SD KARTENSTECKPLATZ

Unterstützt nur MP3/WMAID3 Musikformate. Achtsam die Frontplatte entfernen und SD/MMC Karte in den Steckplatz im inneren des Gerätes einfügen. Die Wiedergabe beginnt automatisch.

USB ANSCHLUSS

Achtsam USB Speicher an das Adapterkabel anschließen und in den USB-Steckplatz an der Frontplatte einfügen. Die Wiedergabe beginnt automatisch.

HINWEISE USB/SD/MMC

USB Funktionen, (Flash memory); MP3 – Wiedergabe

1. Kartensteckplatz SD/MMC
2. FAT 12/FAT 16/FAT 32
 - FAT 12/FAT 16 (Ordner Maximum: 200, Dateien Maximum: 500)
 - FAT 32 (Ordner Maximum: 200, Dateien Maximum: 500)
3. Dateinamen 32 Byte; Ordnername 32 Byte
4. Tag (ID3 Tag Ver. 2.0)
 - Titel/Interpret/Album: 32 Byte.
5. Ein Gerät für mehrere Karten wird nicht unterstützt.
6. Kompatibel USB 2.0.

HINWEIS:

USB Format unterstützt Ver. 2.0

Kapazität bis 32 GB

SD Kartenhersteller: Canon, Fuji, Palm, Motorola, Microsoft, IBM, HP, Compaq, Sharp, Samsung, usw.

Kapazität bis 32 GB

MMC Kartenhersteller: Ericsson, Nokia, Motorola, HP, Palm, Sanyo, Microsystem, usw.

Kapazität bis 32 GB

Hinweis: Durch die breite Palette von Produkten mit MMC- und SD-Karten-Geräte und ihrer Hersteller-spezifische Funktionen, kann nicht garantiert werden, dass die Speicherkarten erkannt, oder mögliche Funktion in der Theorie auch in der Realität funktionieren.

DE

CD/SD/MMC/USB FUNKTIONEN

Id3 TAG INFORMATION

Dieses Gerät unterstützt ID3 tag Ver2.0. Wenn eine MP3-Datei über ID3-Tag-Informationen verfügt, werden diese auf dem LCD Display angezeigt werden. Wenn es keine ID3-Tag-Informationen gibt, wird nichts auf dem LCD Display angezeigt werden. Die ID3-Tag-Informationen können Datei-, Ordner, Musik, Album oder Interpret Daten sein.

NÄCHSTE/VORHERIGE

Drücken Sie die tasten NÄCHSTE/VORHERIGE zur Auswahl der vorherigen oder nächsten Titel. Drücken der Tasten länger als 1 Sekunde zur Auswahl von Wiedergabe vorwärts oder rückwärts.

WIEDERGABE/PAUSE

Drücken der Taste PAUSE startet oder stoppt die Wiedergabe.

INTRO

Beim drücken der Taste INTRO, erscheint im Display „INT ON“ und die Wiedergabe startet mit den ersten 10 Sekunden von jeder Titel bis zur letzten. Es wird die gesamte CD abgespielt von INTRO Anfangen. Nochmaliges drücken der Taste beendet die Funktion, normale Wiedergabe der Titel.

WIEDERHOLUNG

Beim drücken der Taste WIEDERHOLUNG, erscheint im Display „RPT ON“ und die gerade gespielte Titel wird solange wiederholt, bis die Funktion durch nochmaliges drücken der Taste beendet wird.

ZUFÄLLIGE REIHENFOLGE

Beim drücken der Taste ZUFÄLLIGE REIHENFOLGE, erscheint im Display „RDM ON“ und die Titeln werden in zufälliger Reihenfolge abgespielt. Nochmaliges drücken der Taste beendet die Funktion.

SUCHMODUS FÜR MP3/WMA DATEIEN

1. Zeitsuche:

– Drücken Sie die Taste AUTOMATISCHE SPEICHERUNG (AMS) einmal, die Zeitsuche ist aktiviert.

– Drehen Sie den Lautstärkeregler nach rechts oder links zur Auswahl der Zeit

– Drücken Sie die Auswahlstaste und die ausgewählte Zeit der Titel wird abgespielt.

2. Titelsuche

– Drücken Sie die Taste AUTOMATISCHE SPEICHERUNG (AMS) zweimal, die Titelsuche ist aktiv.

DE

– Drehen Sie den Lautstärkeregler nach rechts oder links zur Auswahl der Titel

– Drücken Sie die Auswahlstaste und der ausgewählte Titel wird abgespielt.

SUCHMODUS

3. Dateisuche

- Drücken Sie die Taste AUTOMATISCHE SPEICHERUNG (AMS) dreimal, die Dateisuche ist aktiv.
- Drücken Sie die Auswahltaste und der erste Ordner wird angezeigt.
- Drehen Sie den Lautstärkeregler nach rechts oder links zur Auswahl des Ordners.
- Drücken Sie die Auswahltaste und der erste Titel im ausgewählten Ordner wird angezeigt.
- Drehen Sie den Lautstärkeregler nach rechts oder links zur Auswahl der Titel.
- Drücken Sie die Auswahltaste und der ausgewählte Titel wird abgespielt.

4. Zeichensuche

- Drücken Sie die Taste AUTOMATISCHE SPEICHERUNG (AMS) viermal, die Zeichensuche ist aktiv.
- Drücken Sie die Auswahltaste und das Zeichen „*“ wird angezeigt.
- Drehen Sie den Lautstärkeregler nach rechts oder links zur Auswahl des Buchstaben.
- Drücken Sie die Auswahltaste länger als 2 Sekunden.
- Die Titeln mit dem ausgewählten Anfangsbuchstaben werden angezeigt
- Drehen Sie den Lautstärkeregler nach rechts oder links zur Auswahl der Titel
- Drücken Sie die Auswahltaste und der ausgewählte Titel wird abgespielt.

RDS FUNKTIONEN (RADIO INFORMATIONEN SYSTEM)

AF – ALTERNATIVE FREQUENZEN

Drücken Sie die Taste (20) [AF] um den RDS – Modus Ein- oder Auszuschalten. Wenn der RDS – Modus Eingeschaltet ist, erscheint die Anzeige „AF“ am Display.

Die Anzeige „AF“ Erscheint sobald AF Eingeschaltet wird. Die Suche nach einer alternativen Frequenz startet sobald das Radiosignal zu schwach wird.

Bei FM Empfang, wenn AF Eingeschaltet ist, die Funktionen Suchen, Speichern, Auto, können nur RDS - Programme empfangen und speichern. Trotzdem, wenn die Option ITALIA aktiviert ist, können alle Programme die den Grenzwert überschreiten empfangen und gespeichert werden

INDIKATOR	KONDITIONEN
AF ON	Option AF EIN, Empfang von RDS Informationen
AF OFF	Option AF AUS
AF Blink	Option AF EIN, kein Empfang von RDS Informationen

REGION

AF –Beim drücken der Taste AF länger als eine Sekunde wird in Modus REGION EIN/AUS umgeschaltet

EIN (ON) – PI- Kode (Programm–Identifikations-Kode) wird überprüft wenn AF Kontrolle im Gange ist

AUS (OFF) – PI – Kode und Flächendeckung werden nicht überprüft wenn AF Kontrolle im Gange ist

PROGRAMMTYP (PTY)

RADIO MODUS

Vorheriger PTY wird angezeigt beim drücken der Taste (21) PTY. Wenn keine andere Taste in den nächsten 2 Sekunden gedrückt wird, vorheriger PTY wird gesucht. Im 1 Suchzyklus, wenn der gesuchte Programmtyp nicht gefunden wird, erscheint die Anzeige „NO PTY“.

Zwei Programmtypen stehen zur Verfügung: SPRACHE (SPEECH) UND MUSIK (MUSIC).

Einmaliges drücken von PTY: Option Musik; Nochmaliges drücken: Option Sprache.

Die Stationstasten M1-M6 werden zur Auswahl des Programmtyps verwendet:

VERKEHRSINFORMATIONEN (TA)

Die Taste (22) TA hat folgende Funktionen:

TA EIN Am Display wird TA Angezeigt.

Wenn Verkehrsinformationen gesendet werden, wird die aktuelle Tonquelle unterbrochen.

Wenn die Lautstärke unter 20 ist, wird die Lautstärke auf 20 gestellt und nach den Verkehrsinformationen wieder zurückgestellt

Wenn die Lautstärke während einer Verkehrsinformation geregelt wird, ist nur die vorherige Lautstärke gültig.

Wenn TA Eingeschaltet ist, die Funktionen Suchen, Automatische Speicherung können empfangen oder gespeichert werden nur wenn der Identifikationskode des Verkehrsinformationen Programms erhalten wird

Wenn TA Eingeschaltet ist, der Identifikationskode des Verkehrsinformationen Programms wird nicht in einer bestimmten Zeit empfangen

ALARM TA: NO TA/TP wird Angezeigt und der Alarm ist Ausgeschaltet

SUCHEN TA (TA SEEK): die TA Suche ist aktiviert.

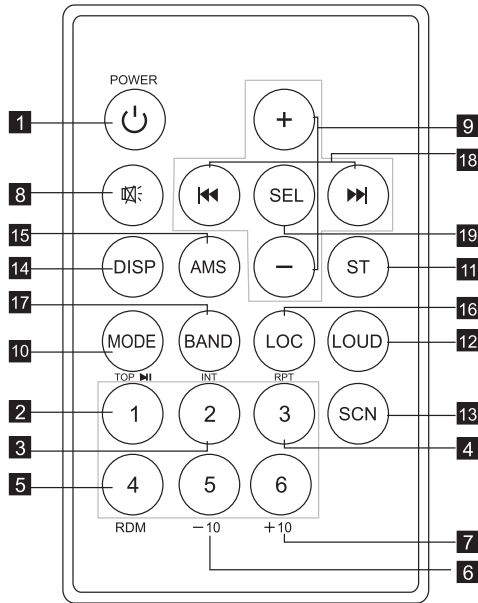
MP3/WMA ÜBERSICHT

1. MP3 ist die Abkürzung von MPEG-1 Audio Layer 3 und bezieht sich auf ein Verfahren zur verlustbehafteten Kompression digital gespeicherter Audiodaten.
2. Dieses Gerät ermöglicht die Wiedergabe der MP3 Dateien von CD-ROM, CD-R oder CD-RW
3. Das Gerät kann MP3 Dateien lesen die nach der Norm ISO 9660 geschrieben sind.
Komprimierte MP3 Dateien werden nicht unterstützt.
4. Das Gerät kann keine Dateien lesen die eine andere Endung als MP3 haben
5. Beim Versuch eine Datei mit der Endung MP3 abzuspielen, die aber keine solche ist bekommt man nur Rauschen zu hören
6. In dieser Bedienungsanleitung beziehen wir uns auf die sogenannten „MP3-Datei“ und „Ordner“ in der PC-Terminologie als „Titel“ und „Album“.
7. Es sind maximal acht Verzeichnisebenen zulässig, inklusive der Hauptebene. Die maximale Anzahl von Ordnern und Dateien pro CD ist 256.
8. Die Wiedergabe erfolgt nicht nach den Dateinummern. Wenn die CD sowohl Audio als auch MP3 Dateien enthält, werden nur Audiodateien abgespielt.
9. Bei der Wiedergabe einer VBR-Datei (Variable Bitrate) von 8 Kbps wird die Spieldauer im Display nicht richtig angezeigt und die Option Intro kann Fehlerhaft funktionieren.
10. Das Gerät unterstützt die Wiedergabe von WMA – Dateien. Die Wiedergabe von ID3 Tag ist Abhängig von der Version und Disponibilität des kyrillischen Alphabetes.
11. WMA (Windows Media Audio) – Format zur Komprimierung von digitalen Audioinhalten mit verlustbehafteter Kompression und ist ein Audio-Codex von Microsoft. Die Audiodatei wird komprimiert, beinhaltet aber eine gute Tonqualität auch bei niedrigen Transferraten (z.B. 64 Kbit/s)
12. Das Gerät spielt die Titel nicht in der Reihenfolge ab wie sie sich auf der CD befinden

Anmerkungen zum brennen von MP3 Dateien auf CD-R oder CD-RW

1. Für eine gute Klangqualität wird empfohlen die MP3 Dateien mit einer Frequenz von 44,1 KHz und einer Transferrate von 128 Kbps zu konvertieren.
2. Speichern Sie nicht mehr als 256 Dateien auf einer CD.
3. Gemäß ISO 9660 sind maximal acht Verzeichnisebenen zulässig.
4. Eine nicht abgeschlossene CD-R wird nicht erkannt.
5. Das brennen von MP3, CD-R oder CD-RW muss als Datenformat und nicht als Audioformat geschehen.
6. Die CD sollte keine anderen Dateien außer MP3 enthalten, da dieses die Wiedergabe verzögert.
7. Niedrigere Qualität der Rohlinge kann die Wiedergabe beeinträchtigen. Es wird empfohlen hochwertige CD-R oder RW Rohlinge zu verwenden.
8. Im Display werden bis zu 16 Buchstaben der Titel oder Alben angezeigt. Version 1x von ID3Tag ist notwendig.
9. Das Gerät spielt die Titel nicht in der Reihenfolge ab wie sie sich auf der CD befinden.

FERNBEDIENUNG



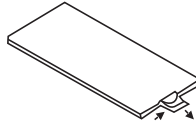
- | | |
|--|---|
| 1. Taste Ein/Aus | 10. Taste Quelle auswählen |
| 2. Taste Pause/Start/Stationstaste 1 | 11. Taste Stereo/Mono |
| 3. Taste Intro/ Stationstaste 2 | 12. Taste Loudness |
| 4. Taste Wiederholung/Stationstaste 3 | 13. Taste Suchen |
| 5. Taste Zufällige Reihenfolge/
Stationstaste 4 | 14. Taste Display |
| 6. Taste Stationstaste 5 | 15. Taste APS/AMS |
| 7. Taste Stationstaste 6 | 16. Taste LOKAL/DX |
| 8. Taste Ton aus | 17. Taste Wellenbereich wählen |
| 9. Taste Lautstärke | 18. Taste Einstellen/Melodie Auswählen/
Schneller Vorlauf/Rücklauf |
| | 19. Tasten zum Auswählen. |

DE

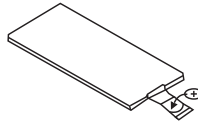
BATTERIE AUSTAUSCHEN

Wenn die Reichweite der Fernbedienung nachlässt, oder nicht mehr funktioniert, muss die Batterie ausgetauscht werden. Verwenden Sie für die neue Batterie den Typus CR2025. Beim Einlegen der Batterie achten Sie auf die korrekte Polarität.

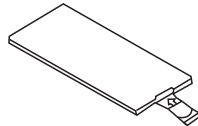
1. Ziehen Sie das Batteriefach heraus bei gedrückter Sicherung.



2. Legen Sie die Batterie mit dem (+) Zeichen nach oben in den Halter.



3. Schieben Sie das Batteriefach in die Fernbedienung.



TECHNISCHE DATEN

ALLGEMEINE TECHNISCHE DATEN

BETRIEBSSPANNUNG:	DC 14,4V, negativer Masseanschluss
AUSGANGSIMPEDANZ:	4 ohms
MAXIMALE AUSGANGSLEISTUNG:	40W X 4(CH)
ABMESSUNGEN:	178x163x50mm(WxDxH)
LEISTUNGS-AUFNAHME:	15A

TONKONTROLLE

BASS (bei 100 Hz):	+10dB/-10dB
HÖHEN (bei 100 KHz):	+10dB/-10dB

USB/SD MUSIKWIEDERGABE

SIGNAL- RAUSCHABSTAND:	größer als 60dB
STATIONEN TRENNUNG:	größer als 60dB
FREQUENZGANG:	20Hz-20KHz

RADIO FM

EMPFANGSBEREICH (MHz):	87.5 -108MHz
ZWISCHENFREQUENZ (IF):	10.7MHz
SENSIBILITÄT (S/N-30 dB):	12dBu
KANALTRENNUNG:	>30dB

RADIO AM

EMPFANGSBEREICH (KHz):	522 -1620KHz
ZWISCHENFREQUENZ (IF):	450KHz
SENSIBILITÄT (S/N-20 dB):	42dBu

HINWEIS: TECHNISCHE DATEN KÖNNEN OHNE VORANKÜNDIGUNG GEÄNDERT WERDEN

Deutsch



Korrekte Entsorgung dieses Produkts (Elektromüll)



(Anzuwenden in den Ländern der Europäischen Union und anderen europäischen Ländern mit einem separaten Sammelsystem)

DE

Die Kennzeichnung auf dem Produkt bzw. auf der dazugehörigen Literatur gibt an, dass es nach seiner Lebensdauer nicht zusammen mit dem normalen Haushaltsmüll entsorgt werden darf. Entsorgen Sie dieses Gerät bitte getrennt von anderen Abfällen, um der Umwelt bzw. der menschlichen Gesundheit nicht durch unkontrollierte Müllbeseitigung zu schaden. Recyceln Sie das Gerät, um die nachhaltige Wiederverwertung von stofflichen Ressourcen zu fördern

Private Nutzer sollten den Händler, bei dem das Produkt gekauft wurde, oder die zuständigen Behörden kontaktieren, um in Erfahrung zu bringen, wie sie das Gerät auf umweltfreundliche Weise recyceln können

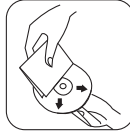
Gewerbliche Nutzer sollten sich an Ihren Lieferanten wenden und die Bedingungen des Verkaufsvertrags konsultieren. Dieses Produkt darf nicht zusammen mit anderem Gewerbemüll entsorgt werden

Made in China für Lechpol Electronics Bv Provincialeweg 7, 3248 Lk Melissant, Holland

ALLGEMEINE HINWEISE FOR DER CD INBETRIEBNAHME

CD-Reinigung

Vor der Wiedergabe einer CD, wischen Sie die CD-s zum Reinigen mit einem weichen Tuch von der Mitte zum Rand hin ab. Reinigen Si die CD mit sauberem Material, frei von Staub. Reinigen Sie die CD in Richtung des Pfeils.



Legen Sie die CD ein mit der Beschriftung nach oben. Wenn die CD mit der bedruckten Seite nach unten eingelegt ist, kann das Gerät beschädigt werden.



HINWEIS: Wenn sich bereits eine CD im Gerät befindet, versuchen Sie nicht eine andere einzulegen. Auch das kann das Gerät beschädigen.

Halten Sie die CD am Rand. Damit die Oberfläche der CD sauber bleibt sollte man die Oberfläche nicht berühren. Entnehmen Sie die CD richtig.



Kleben Sie kein Band, Etiketten oder andere Klebstoffe auf die CD.

Vermeiden Sie direktes Sonnenlicht oder Kontakt mit anderen Wärmequellen.

Die CD-s sollten nicht im Auto Aufbewahrt werden wenn es in der Sonne steht, da dieses zu einer Erwärmung des Autos führt und die CD-s können dadurch beschädigt werden.

HINWEIS:

Vermeiden Sie die Verwendung von Lösungsmitteln wie Petroleum oder andere Verdünnungsmittel. Auch handelsüblicher Antistatikspray kann das Gerät beschädigen

DE

STÖRUNGSBEHEBUNG

Vor dem Studium der Tabelle, überprüfen Sie die Anschlusskabel. Sollte Ihr Problem nicht behoben werden, nachdem Sie die Tabelle überprüft haben, wenden Sie sich bitte an Ihren nächstgelegenen Service.

Symptome	Ursache	Abhilfemaßnahme
Brak zasilania	Kein Kontakt	Wenn die Stromzufuhr in Ordnung ist, dann Kontakt auf ACC
	Die Sicherung ist durchgebrannt	Sicherung Austauschen
Die Cd Läst Sich Nicht Einlegen Oder Herausnehmen	Es befindet sich bereits eine CD im Gerät	CD herausnehmen und eine andere einlegen
	Die CD ist nicht richtig Eingelegt	CD richtig einlegen, mit der bedruckten Seite nach oben
	CD ist beschmutzt oder defekt	CD reinigen oder andere CD einlegen
	Die Innentemperatur des Autos ist zu hoch	Lüften bis sich die Temperatur wieder normalisiert
	Kondensation	Lassen Sie das Gerät ausgeschaltet für eine Stunde oder länger
Kein Ton	Lautstärke ist Minimum	Lautstärke regeln
	Die Kabel sind nicht richtig Angeschlossen	Überprüfen Sie die Kabelverbindungen
Ton Unterbrechungen	Der Montagewinkel ist größer als 30°	Verkleinern Sie den Montagewinkel unter 30°
Die Tasten Funktionieren Nicht	Der Mikroprozessor funktioniert nicht richtig	Drücken Sie RESET oder überprüfen Sie den Sitz der Frontplatte
Radio Oder Automatische Sendersuche Funktionieren Nicht	Das Antennenkabel ist nicht richtig Angeschlossen	Überprüfen Sie den Anschluss der Antenne
	Das Signal ist zu Schwach	Der Radiosender wird manuell eingestellt

DE

CD/DVD NEUE FUNKTIONEN UND BEDIENUNGSHINWEISE

1. DOS (DYNAMISCHER OFFENER BILDSCHIRM)

Dynamischer Offener Bildschirm (Bewegungs-Effekt), beim eingeschalten des Gerätes. Drücken Sie eine beliebige Taste, um diese zu beenden und zum aktuellen Modus zurückzukehren.

DEMO EIN:

Lange drücken der Auswahltaste (Auswahl-Modus), dann drücken Sie kurz die Auswahltaste zum Auswählen von Demo EIN/AUS, drehen Sie den Lautstärkereglern und wählen Demo EIN, danach drücken Sie die Auswahltaste, zum bestätigen. Das Dynamische Offene Bildschirm Display benutzt diesen Modus um wiederholt Vorführungen zu zeigen. Keine Tasten funktionieren, außer der Auswahltaste.

DEMO AUS:

Drücken Sie die Auswahltaste, drehen Lautstärkereglern und wählen Demo AUS, danach drücken Sie die Auswahltaste, zum bestätigen, Rückkehr zum ursprünglichen Status.

2. RGB (EINSTELLBARE RGB FARBBELEUCHTUNG)

Die Beleuchtungsfarbe ändert sich ständig, wenn das Gerät eingeschaltet ist.

Feste Farbeinstellung:

Langes Drücken der Taste DISPLAY, drehen Lautstärkereglern auf Auto AUS, kurzes drücken von DISPLAY, um bestimmte Farben von blau, grün, rot, orange, lila und weiß auszuwählen.

Einstellen der Farbauswahl:

Langes Drücken der Taste DISPLAY, drehen Lautstärkereglern auf Auto AUS, kurzes drücken von DISPLAY, zum einstellen der Farbauswahl:

z.B. ROT - drehen Lautstärkereglern zur Auswahl 00 ~ 32, drücken Sie DISPLAY, um die Einstellung zu bestätigen.

GRÜN - drehen Lautstärkereglern zur Auswahl 00 ~ 32, drücken Sie DISPLAY, um die Einstellung zu bestätigen.

BLAU - drehen Lautstärkereglern zur Auswahl 00 ~ 32, drücken Sie DISPLAY, um die Einstellung zu bestätigen.

3. IPC (iPHONE MUSIKSTEUERUNG)

Mit dieser Funktion kann die Musik vom iPhone am Hauptgerät abgespielt werden, und kann durch dieses folgende Funktionen des iPhone steuern: WIEDERGABE/PAUSE, VORHERIGE, NÄCHSTE.

Drücken Sie die Taste MODUS, um Aux Modus zu wählen. Verbinden Sie das iPhone mit Aux Eingang durch das mitgelieferte Kabel (Option wird separat verkauft).

Nachfolgend werden zwei Bügel Ihrer Wahl zur Verfügung gestellt:



4. AEM (AUXILIARE ERWEITERTER SPRACHSTEUERUNGSMODUS)

GPS Verkehr Rundfunk:

Unter einem beliebigen Modus, verbinden das iPhone mit dem Aux-Eingang, aktivieren Sie GPS Navigations-Funktion auf dem Handy (Das Telefon muss diese Apps haben).

Wählen Sie AEM EIN, während GPS Navigation Verkehrs-Rundfunk, die Lautstärke des aktuellen Radiosenders wird verringert werden, wenn die Navigation Ausstrahlung über 5 Sekunden Stoppt, das die Lautstärke des aktuellen Radiosenders wieder normal zu hören sein.

AEM EIN:

Langes drücken der Auswahltaste, danach kurzes drücken der Auswahltaste zur Auswahl AEM EIN/AUS, drehen Lautstärkereglern auf AEM EIN, danach drücken Sie die Auswahltaste, zum bestätigen, AEM-Funktion wird aktiviert.

AEM AUS:

Wiederholen Sie die obigen Schritte, nur im letzten Schritt, wählen Sie AUS, um AEM-Funktion zu deaktivieren.

* Verbinden Sie das iPhone mit Aux Eingang durch das mitgelieferte Kabel (Option wird separat verkauft).

** Wenn AEM EIN, kann jede Audioquelle vom iPhone am Hauptgerät abgespielt werden.

Nachfolgend werden zwei Bügel Ihrer Wahl zur Verfügung gestellt:



5. IPH (iPHONE FREISPRECHANLAGE)

Anrufe entgegennehmen:

Unter einem beliebigen Modus, verbinden das iPhone mit Aux-Eingang, wenn ein Anruf kommt, drücken Sie Taste WIEDERGABE oder Mobiltelefon Antwort Taste, um den Anruf anzunehmen.

Drücken Sie erneut, um aufzulegen. Während des Anrufs, wird der Ton des aktuellen Modus verringert werden.

Wenn der Anruf über 5 Sekunden beendet ist, wird der Ton wieder auf normale Lautstärke hergestellt.

** Um eine bessere Anrufqualität zu bekommen, drücken Sie „MU“ lange für „TELEFON“ Modus, wenn Sie das Telefon zu beantworten haben. Wenn der Anruf beendet ist, erneut „MU“ lange drücken zur Rückkehr zum vorherigen Modus.

AEM Standardeinstellung ist AEM EIN.

● IPC, AEM, IPH Funktionen unterstützen iPhone, einige Smartphone-Modelle von Motorola, HTC, T-Mobile, Blackberry, LG und Samsung (kompatibel mit dem iPhone Socket 4H / 3,5 mm entsprechen). z.B. Motorola XT615, LG920, Samsung Galaxy Note usw.

** Kompatibilitäts-Unterstützungen können ohne weitere Ankündigung geändert & nicht garantieren werden.

Nachfolgend werden zwei Bügel Ihrer Wahl zur Verfügung gestellt:



SPIS TREŚCI

<i>Instalacja radia</i>	48
<i>Schemat podłączenia</i>	50
<i>Panel przedni</i>	51
<i>Podstawowe operacje</i>	52
<i>Radio</i>	55
<i>CD / SD / MMC / USB</i>	57
<i>RDS</i>	60
<i>MP3 / WMA</i>	61
<i>Pilot zdalnego sterowania</i>	62
<i>Specyfikacja techniczna</i>	64
<i>Czyszczenie płyty CD</i>	65
<i>Rozwiązywanie problemów</i>	66
<i>Nowe Funkcje</i>	67

INSTALACJA

Uwagi

Zainstaluj radio w taki sposób aby nie utrudniało prowadzenia pojazdu.

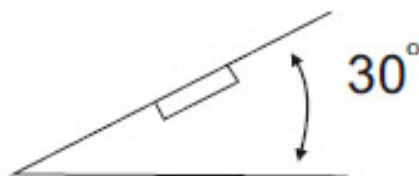
Przed ostatecznym zainstalowaniem radia w kieszeni podłącz wszystkie przewody i włącz radio aby sprawdzić czy cały system nagłośnienia działa poprawnie.

Do poprawnej instalacji radia użyj dołączonych do niego akcesoriów, zastosowanie nieautoryzowanych komponentów może skutkować niepoprawnym działaniem radia.

Skonsultuj się z autoryzowanym serwisem twojego samochodu jeżeli instalacja radia wymaga dokonania modyfikacji w samochodzie np. wywiercenia otworów itp.

Zainstaluj radio w sposób solidny i bezpieczny, aby nie wyrządziło nikomu krzywdy w przypadku np. awaryjnego hamowania.

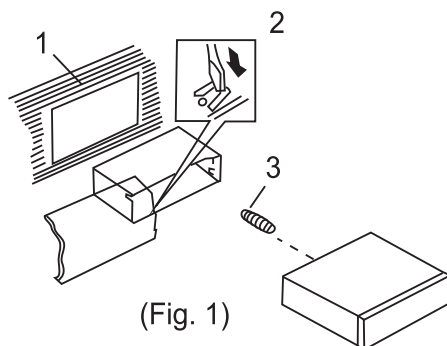
Nie instaluj radia w miejscach gdzie będzie narażone na nadmierne nagrzewanie np. narażone na bezpośrednie działanie promieni słonecznych, przy nawiewach ciepłego powietrza, w miejscach gdzie nadmiernie zbiera się kurz, brud itp.



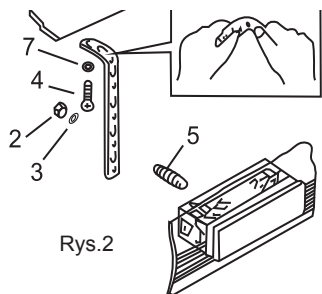
INSTALACJA (Metoda A)

Instalacja urządzenia

1. Deska rozdzielcza samochodu
 2. Kieszeń
- Po zainstalowaniu kieszeni we wnęce, zabezpiecz ją przed wypadaniem przez odgięcie zaczepów.
3. Śruba



(Fig. 1)

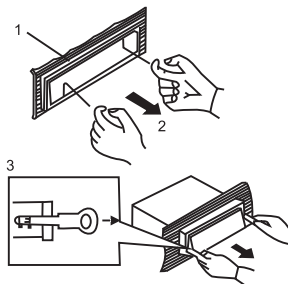


Rys.2

1. Deska rozdzielcza
2. Nakrętka (5mm)
3. Podkładka
4. Śruba
5. Śruba

6. Uchwyt
Do przymocowania tylnej części radia użyj uchwytu (6).

Uchwyt ten można łatwo wygiąć ręką.
7. Podkładka



Rys.3

1. Ramka
2. Złap palcami za brzeg ramki Jak na rysunku powyżej) i ją wyciągnij. Przy ponownym montażu zwróć uwagę aby nie zamontować jej odwrótnie.
3. Radio
Wsuń specjalne klucze (są w komplecie) w szczeliny po obu stronach radia, aż usłyszysz kliknięcie. Następnie pociągnij całość do siebie aby wyjąć radio.

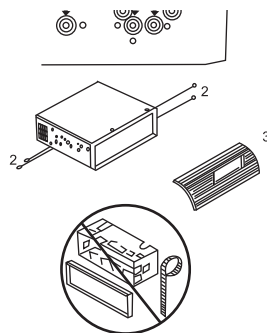
MONTAŻ RADIA W FABRYCZNEJ KIESZENI (Metoda B)

Montaż radia w fabrycznej kieszeni
1. Wstaw radio aby otwory na śruby w radia pokrywały się z otworami w kieszeni.

Przymocuj radio za pomocą śrub po dwie po każdej stronie

Użyj śrub: 5x5mm lub 4x5mm.

2. Śruby
3. Koptit



INSTALACJA KARTY SD

Wsuń kartę do gniazda etykietką do góry, aby wyjąć kartę z radia ponownie ją naciśnij

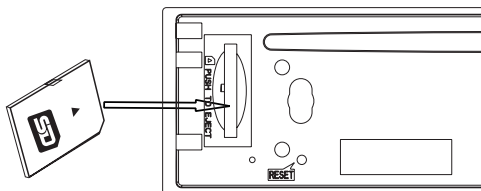
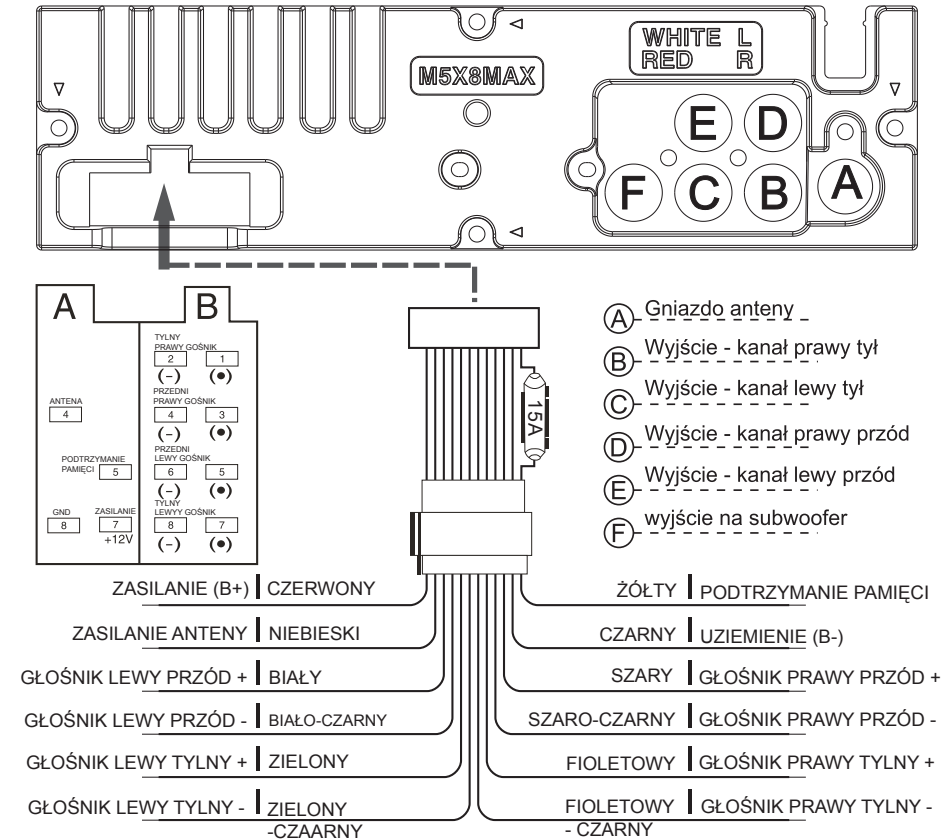
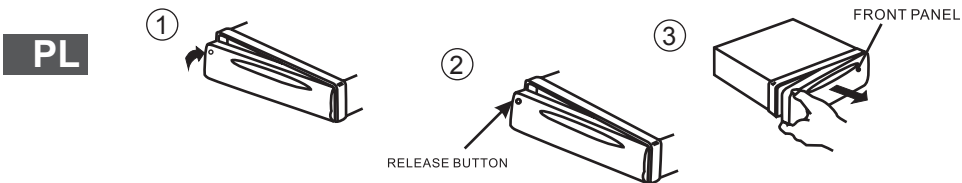


DIAGRAM PODŁĄCZANIA PRZEWODÓW



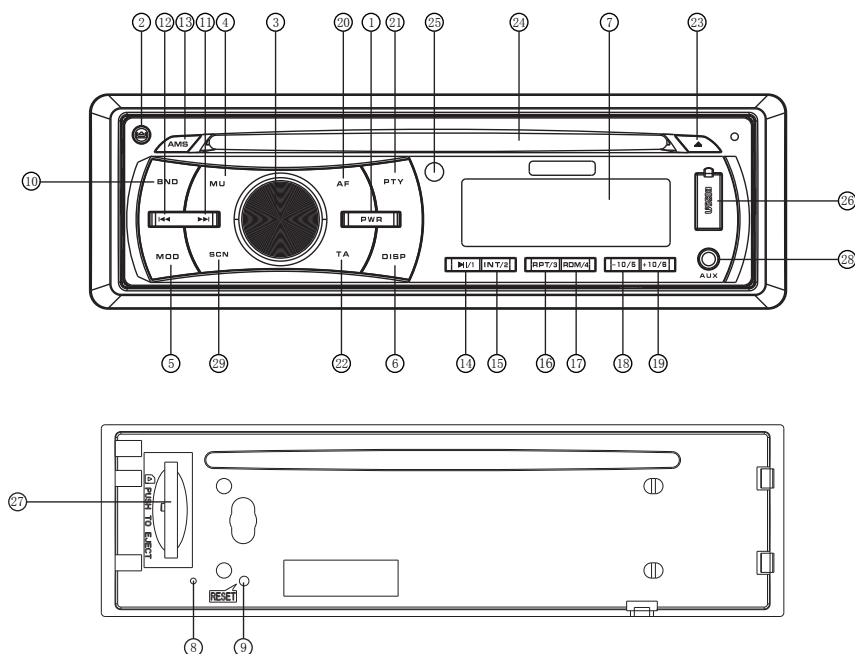
ZAKŁADANIE PANELU

Aby założyć panel wsuń go prawidłowo w zatrzaski tak jak na rysunku. W przypadku nie poprawnego zamontowania panelu może nieprawidłowo działać wyświetlacz lub przyciski na panelu.



PL

PANEL PRZEDNI - OBJAŚNIENIE PRZYCISKÓW



- | | |
|--|--|
| 1. Przycisk power | 15. Intro & Przycisk numeryczny 2 |
| 2. Przycisk opuszczania panelu | 16. Repeat & Przycisk numeryczny 3 |
| 3. Regulacja poziomu dźwięku / menu | 17. Random & Przycisk numeryczny 4 |
| 4. Przycisk mute | 18. Przycisk numeryczny 5 |
| 5. Wybór trybu pracy | 19. Przycisk numeryczny 6 |
| 6. Przycisk ustawień podświetlania | 20. AF |
| 7. Wyświetlacz LCD | 21. PTY |
| 8. Dioda LED | 22. TS |
| 9. Przycisk reset | 23. Przycisk wysuwania płyty CD |
| 10. Zmiana częstotliwości / ID3 select | 24. Kieszon płyt CD |
| 11. Strojenie & wybór ścieżki | 25. Czujnik pilota zdalnego sterowania |
| 12. Strojenie & wybór ścieżki | 26. Port USB |
| 13. AMS | 27. Gniazdo SD/MMC |
| 14. Play/Pauza & Przycisk numeryczny 1 | 28. AUX IN |
| | 29. SCN |

PODSTAWOWE OPERACJE

ON / OFF

Wciśnij przycisk POWER (1) aby włączyć radio. Naciśnij i przytrzymaj przycisk dłużej niż 1s by wyłączyć radio.

OPUSZCZANIE PANELU

Naciśnij przycisk REL (2) by opuścić panel.

USTAWIENIA DŹWIĘKU

Naciśnij przycisk SEL (3) aby przejść do ustawień według schematu.



GŁOŚNOŚĆ

Za pomocą gałki VOL/ SEL (3) dostosujesz poziom dźwięku. Przekręć gałkę w lewo by zmniejszyć poziom dźwięku, a w prawo by zwiększyć poziom dźwięku. Aby wybrać funkcję naciśnij krótko przycisk. Na ekranie pojawią się wybrane funkcje. By dostosować ich ustawienia przekręć gałką w prawo lub lewo.

NISKIE TONY (BASS)

Naciśnij przycisk VOL/SEL (3) jeden raz, aby przejść do trybu ustawień basu. Następnie obróć pokrętkę VOL (3) zgodnie lub przeciwnie do ruchu wskazówek zegara aby dostosować poziom basu.

WYSOKIE TONY (TREBLE)

Naciśnij przycisk VOL/SEL (3) dwa razy, aby przejść do trybu ustawień treble. Następnie obróć pokrętkę VOL (3) zgodnie lub przeciwnie do ruchu wskazówek zegara aby dostosować poziom wysokich tonów.

BALANS PRAWO / LEWO

Naciśnij przycisk VOL/SEL (3) trzy razy, aby przejść do trybu ustawień balance. Następnie obróć pokrętkę VOL (3) zgodnie lub przeciwnie do ruchu wskazówek zegara aby ustawić balans prawo-lewo.

BALANS TYŁ / PRZÓD (FADER)

Naciśnij przycisk VOL/SEL (3) cztery razy, aby przejść do trybu ustawień fader. Następnie obróć pokrętkę VOL (3) zgodnie lub przeciwnie do ruchu wskazówek zegara aby ustawić balans tył-przód.

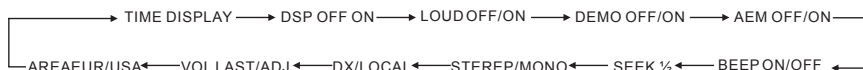
Wyciszenie

PL

By natychmiast wyciszyć radio naciśnij przycisk MUTE (4). Naciśnięcie przycisku ponownie spowoduje powrót do poprzedniego poziomu dźwięku.

USTAWIENIA DODATKOWE

Naciśnij i przytrzymaj przycisk VOL/SEL (3) przez kilka sekund, aktywowany zostanie cykliczny tryb wyświetlający następujące funkcje:



Naciśnięcie i przytrzymanie przycisk SEL a następnie obróć w prawo lub w lewo aby przejść do żądanego trybu:

Tryb DSP ON/OFF:

Obróć gałkę VOL aby wybrać opcję equalizeraz POP M, ROCK M, CLASS M, FLAT M.

DSP OFF.

Tryb ESP (Elektroniczny system przeciwwstrząsowy) 12/45.

Obroć gaikę SEL aby wybrać odpowiednią wartość trybu ESP.

Tryb BEEP ON/OFF:

BEEP ON: Sygnai BEEP będzie słyszany w głośnikach po naciśnięciu przycisku.

VOL LAST/ADJUST

Funkcja umożliwia ustawienie poziomu dźwięku po wyłączeniu i ponownym włączeniu radia .

VOL LAST - poziom dźwięku jest taki sam jak przed wyłączeniem

VOL ADJUST - ręczne ustawienie poziomu dźwięku.

SEEK MODE

SEEK 1: Gdy tryb SEEK 1 jest aktywny, funkcja automatycznego wyszukiwania kanałów zatrzyma się na pierwszym wyszukanym kanale nawet , gdy użytkownik nadal będzie trzymał przycisk SEEK.

SEEK 2: Gdy tryb SEEK 2 jest aktywny, funkcja automatycznego wyszukiwania kanałów nie zatrzyma się na wyszukanym kanale (gdy użytkownik nadal będzie trzymał przycisk SEEK) Po puszczeniu przycisku SEEK funkcja wyszukiwania zatrzyma się na pierwszym wyszukanym kanale.

WYBÓR TRYBU ODTWARZANIA

Naciśnij przycisk (5) aby wybrać tryb odtwarzania:

- Tuner

- USB

Aby przejść do tego trybu, pamięć USB musi być podłączona

- SD/MMC

Aby przejść do tego trybu, karta pamięci musi być podłączona do urządzenia

-AUX

USTAWIENIA CZASU

Naciśnij i przytrzymaj przycisk SEL do czasu aż na ekranie nie wyświetli się obecny czas.

Następnie by zmienić godzinę przekręć gałkę regulacji głośności w prawo vol "+" lub by zmienić ustawienia minut przekręć gałkę regulacji głośności w lewo vol "-". A następnie zatwierdzi ustawienia przyciskając ponownie przycisk SEL.

WYŚWIETLACZ LCD

Wyświetlacz LCD (7) pełni funkcję informacyjną, wyświetla obecny status radia.

DIODA LED

Po zdjęciu panelu przedniego i wyłączonym zasilaniu dioda led zacznie migać.

RADIO OPERATIONS

WYBÓR PASMA

W trybie radia naciśnij przycisk BAND (10) aby wybrać żądane pasmo fal radiowych. Pasma fal będzie zmieniane w następującej kolejności:



WYBÓR STACJI

W trybie radia naciśnij przycisk (11) „SEEK <<” lub (12) „SEEK >>”, aby automatycznie wyszukać stacje radiowe.

W trybie radia naciśnij i przytrzymaj przycisk „SEEK <<” lub „SEEK >>” aby ręcznie wyszukać stacje radiowe.

AUTOMATYCZNE PROGRAMOWANIE STACJI, SKANOWANIE STACJI

-Automatyczne programowanie stacji

Naciśnij i przytrzymaj przycisk AMS (Mp3) (13) przez kilka sekund. Urządzenie przeszuka aktualny zakres częstotliwości. Po przeszukaniu całego zakresu 6 stacji z najsilniejszym sygnałem zostanie zapisanych.

- Strojenie stacji

Naciśnij krótko przycisk AMS (13) aby przeskanować zaprogramowane stacje. Na wyświetlaczu pojawi się napis „INT” Urządzenie przeskanuje zapamiętane stacje przez 5 sekund.

ZAPAMIĘTYWANIE STACJI

Naciśnij jeden z przycisków numerycznych (14~19)

1) TRYB RADIA.

M1 ~ M6

- Aby wybrać wcześniej zaprogramowaną stację wciśnij szybko (<1s) przycisk 1-6

- Aby zapisać aktualną częstotliwość do pamięci wciśnij i przytrzymaj przycisk 1-6.

2) Tryb CD/MP3/FLASH MP3

PLAY/ PAUZA

Wciśnij przycisk (14) aby rozpocząć odtwarzanie / wyłączyć pauze. Podczas pauzy wskaźnik dysku na wyświetlaczu miga .

TOP - Wciśnij i przytrzymaj przycisk aby zacząć odtwarzanie od pierwszego utworu.

INT

Funkcja Intro Wciśnij przycisk (15) radio będzie odtwarzać po 10s każdego utworu. Po odtworzeniu wszystkich zacznie normalnie odtwarzać utwory zaczynające się od miejsca w którym funkcja została wyłączona.

MO/ST

Naciśnij przycisk SEL i przejdź do ustawień STEREO (MONO)

Kiedy stacja FM ma słaby sygnał i jest zakłócana. Wybierając tryb MONO można poprawić jej sygnał i wyeliminować szumy.

LOC/DX

Naciśnij przycisk SEL i wybierz ustawienia LOC(21) Pokręć gałką zmiany regulacji głośności i ustaw tryb LOC aby odbierać tylko stacje lokalne. Na ekranie pojawi się napis "LOC"Wybierz DX aby odbierać wszystkie stacje.

LOUDNESS ON/OFF

Naciśnij przycisk SEL i wybierz ustawienia LOUD. By aktywować funkcję przekręć gałką regulacji głośności. Na ekranie pojawi się napis "LOUD" gdy opcja zostanie aktywowana.

SKANOWANIE STACJI

Naciśnij przycisk (29) aby rozpocząć skanowanie stacji. Gdy sygnał stacji jest wystarczająco silny, radio zacznie odtwarzać stację przez 5s a na ekranie zacznie mrugać częstotliwość stacji.

WYBÓR OBSZARU USA / EUR

W trybie radia naciśnij przycisk SEL przez kilka sekund. Na wyświetlaczu ukażą się opcje DSP OFF/ON AREA USA/EUR. Opcja AREA USA/EUR umożliwia wybór częstotliwości obszaru poprzez VOL +/-.

CD/SD/MMC/USB

CD:

Radio obsługuje płyty: CD/CD -R/-RW.
Zgodne z formatami: CDDA/MP3/WMA.

Wkładanie / wyjmowanie płyty CD

1. Włącz radio.
2. Włóż dysk CD zadrukowaną stroną do góry.
3. Naciśnij przycisk EJECT (23) aby wyjąć płytę.

MMC/SD

Radio obsługuje formaty plików MP3/WMA ID3 opuść przedni panel. Ostrożnie włóż kartę SD/MMC do gniazda kart znajdującego się na wewnętrznym panelu. Podnieś panel przedni, radio zacznie automatycznie odtwarzać zawartość karty SD/MMC.

USB

Ostrożnie podłącz urządzenie USB do gniazda USB znajdującego się na przednim panelu urządzenia.

USB/SD/MMC notes:

1. Obsługa kart SD/MMC.
2. FAT 12/ FAT 16/ FAT 32
 - FAT 12/16 (maksymalna liczba katalogów: 200, plików: 500).
 - FAT 32 (maksymalna liczba katalogów: 200, plików: 500).
3. Standard nazwy plików, katalogów: 32 bajty.
4. Tag (id3tag ver2.0)
 - Tytuł/Artysta/Album: 32 bajty.
5. Brak wsparcia dla uniwersalnego czytnika pamięci.
6. Obsługa USB 2.0.

Uwaga:

USB standard 2.0.

Pojemność do 32 GB.

SD/MMC

Pojemność do: 32 GB.

Uwaga: Ze względu na dużą różnorodność kart CD/MMC i ich niekiedy bardzo specyficzne funkcje, producent nie może zagwarantować, że wszystkie urządzenia będą rozpoznawalne, ani że wszystkie operacje, które są możliwe w teorii, faktycznie będą działały

CD/SD/MMC/USB

Id3 Tag

Radio obsługuje ID3 tag ver2.0. Jeśli jakiś plik MP3/WMAfile posiada informacje ID3 Tag. Zostaną one wyświetlone na wyświetlaczu LCD. Informacje ID3 Tag mogą zawierać pliki, foldery, albumy, lub dane artysty.

NASTĘPNY / POPRZEDNI UTWÓR

Aby przejść do następnego bądź poprzedniego utworu naciśnij przycisk NEXT/PREVIOUS. Przytrzymanie przycisku dłużej niż 1 sekundę spowoduje przewinięcie do przodu bądź do tyłu obecnie odtwarzanego utworu.

PLAY/PAUZA

Aby zatrzymać odtwarzanie naciśnij przycisk PAUSE, aby wznowić odtwarzanie naciśnij ponownie przycisk PAUSE

INTRO (Podgląd wszystkich utworów)

Gdy przycisk INT jest włączony na ekranie wyświetla się napis INT ON, kilka pierwszych sekund każdego utworu z płyty jest odtwarzanych. Naciśnięcie ponownie przycisku spowoduje powrót radia do normalnego trybu odtwarzania utworów.

POWTARZANIE

Po naciśnięciu przycisku RPT na wyświetlaczu ukaże się napis RPT ON, odtwarzanie wybranego utworu będzie stale powtarzane aż do momentu gdy funkcja RPT nie zostanie wyłączona poprzez ponowne naciśnięcie przycisku RPT.

ODTWARZANIE LOSOWE

Po naciśnięciu przycisku RDM na wyświetlaczu ukaże się napis RDM ON, a każdy utwór z nośnika jest odtwarzany w kolejności losowej. Aby wyłączyć tryb odtwarzania losowego należy ponownie nacisnąć przycisk RDM.

Wyszukiwanie plików MP3/WMA:

1. Przejście do określonego czasu utworu:
 - Naciśnij przycisk AMS jednokrotnie
 - Obróć gałkę VOL w prawo lub lewo aby wybrać żądany czas utworu.
 - Naciśnij przycisk VOL aby uruchomić odtwarzanie.
2. Wyszukiwanie utworów:
 - Naciśnij przycisk AMS dwukrotnie
 - Obróć gałkę VOL w prawo lub lewo aby wybrać żądany utwór .
 - Naciśnij przycisk VOL aby uruchomić odtwarzanie.

CD/SD/MMC/USB

3. Wyszukiwanie plików w katalogach:

- Naciśnij przycisk AMS trzykrotnie.
- Naciśnij przycisk VOL, wyświetlony zostanie pierwszy folder.
- Obróć gałkę VOL w prawo lub lewo aby wybrać żądany folder.
- Ponownie naciśnij przycisk VOL aby wyświetlić pliki z wybranego folderu.
- Obróć gałkę VOL w prawo lub lewo aby wybrać żądany plik.
- Naciśnij przycisk VOL aby uruchomić odtwarzanie.

4. Wyszukiwanie utworów po nazwie:

- Naciśnij przycisk AMS czterokrotnie.
- Naciśnij przycisk VOL na ekranie ukaze się znak *.
- Obróć gałkę VOL w lewo lub w prawo aby wybrać pierwszą literę szukanego utworu.
- Naciśnij i przytrzymaj przycisk VOL przez ponad 2 sekundy.
- Wyświetlone zostaną utwory zaczynające się na podana literę .
- Obróć gałkę VOL w prawo lub lewo aby wybrać żądany utwór.
- Naciśnij przycisk VOL aby uruchomić odtwarzanie.

RDS (RADIO DATA SYSTEM)

AF: częstotliwość alternatywna

Aby włączyć /wyłączyć funkcję AF wciśnij przycisk AF (20). Funkcja aktywuje się gdy odbierana stacja ma słaby sygnał. Gdy funkcja AF jest włączona funkcje SEEK, SCAN, AUTO, MEMORY wyszukują tylko stacje z RDS-em.

Ikona	Opis
AF ON	AF ON MODE sygnał RDS jest odbierany
AF OFF	AF OFF MODE
AF miga	AF ON MODE sygnał RDS nie jest odbierany

PTY - typy programów

- użyj przycisku PTY (21) aby wybrać określony typ programu.

Po wciśnięciu przycisku PTY, ostatni typ programu zostanie wyświetlony. Jeżeli w przeciągu 2s nie będzie wciśnięty przycisk z żądanym PTY, zostanie odszukany ostatnio zapamiętany PTY. Radio zacznie wyszukiwać określonych informacji. Jeżeli określone audycje nie zostaną znalezione, funkcja PTY automatycznie się wyłączy.

W pamięci są zapisane dwa typy programów SPEECH i MUSIC.

Wciśnij raz PTY aby wybrać MUSIC wciśnij dwa razy PTY aby wybrać SPEECH.

Przyciski M1-M6 znajdujące się na pilocie mogą być użyte do wyboru żądanego typu programu:

TA - komunikaty drogowe

TP/TA (Traffic Programme/TrafficAnnouncement) TP przycisk (22) informuje nas, że stacja przygotowuje i nadaje serwisy dla kierowców, a sygnał TA jest nadawany w czasie takiego programu (następuje wtedy dodatkowo zmiana PTY na "Traffic"). Jeśli chcemy, gdy ostatnio odbierana stacja nada sygnał TA, odbiornik na czas programu zatrzyma odtwarzanie płyty, by po zakończeniu programu kontynuować poprzednio wykonywaną czynność.

Podczas nadawania komunikatów drogowych, niezależnie od trybu, komunikaty są odbierane. Jeżeli poziom dźwięku jest poniżej 20, jest automatycznie zwiększany do 20, a po zakończeniu transmisji jest automatycznie przywracany do poprzedniego poziomu. Jeżeli poziom dźwięku przestroi się na czas nadawania komunikatu, w tym momencie tylko poprzednie ustawienie poziomu dźwięku jest dostępne.

Gdy funkcja TA jest włączona, funkcje SEEK, SCAN, AUTO MEMORY są dostępne.

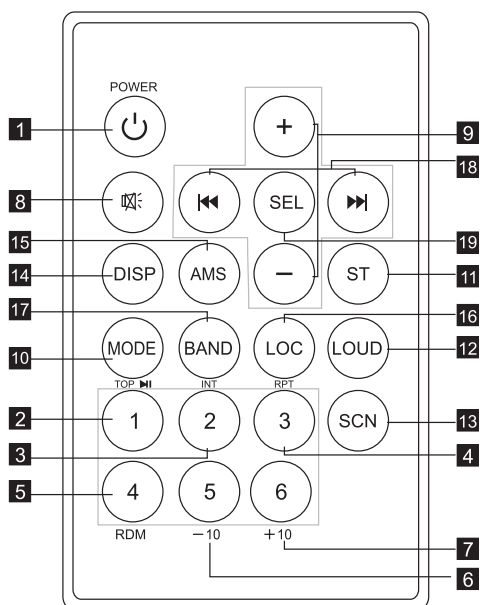
MP3 / WMA

- MP3 jest skrótem od MPEG Audio Layer 3 i odnosi się do standardowej technologii kompresji dźwięku.
- Produkt ten pozwala na odtwarzanie plików MP3 z płyt CD-ROM, CD-R, CD-RW.
- Urządzenie odczytuje pliki MP3 zapisane w formacie ISO 9660. Jednakże nie obsługuje danych zapisanych metodą packet write.
- Urządzenie może odczytać plików MP3 których rozszerzenie jest inne niż „.mp3”
- Jeżeli odtwarzasz pliki inne niż MP3 lecz mające rozszerzenie „.mp3” możesz słyszeć zakłócenia, trzaski etc.
- Maksymalna liczba poziomów łącznie z katalogiem głównym wynosi 8. Maksymalna liczba plików i folderów na dysku wynosi 256.
- Urządzenie może nie odtworzyć utworów w kolejności z jaką zostały one nagrane na płytę
- Jeżeli płyta audio zawiera także pliki mp3 urządzenie odtworzy tylko ścieżki audio.
- Podczas odtwarzania dysku nagranych z transmisją 8 kbps lub „VBR” czas odtwarzania utworu nie będzie wyświetlany poprawnie, jak również funkcja intro może nie działać prawidłowo.
- „VBR” Variable Bit Rate - zmienna szybkość transmisji bitów.
- Urządzenie obsługuje format plików WMA. Jednakże wyświetlanie tagów ID3 dla formatu WMA nie jest gwarantowane, zależy to od wersji i alfabetu.
- WMA (Windows Media Audio) - format kompresji dźwięku, stworzony przez Microsoft Corporation.

Uwagi na temat tworzenia własnych płyt CD-R lub CD-RW zawierających pliki mp3:

- Aby cieszyć się wysokiej jakości dźwiękiem, zalecamy konwersję do plików MP3 o stałej szybkości transmisji bitów 128kbps i częstotliwości próbkowania 44.1 kHz.
- Nie zapisuj na dysk więcej niż 256 plików.
- Dla ISO 9660 maksymalna liczba poziomów łącznie z katalogiem głównym wynosi 8.
- Gdy używany jest dysk CD-R, odtwarzanie jest możliwe tylko dla dysków, które zostały zamknięte.
- Upewnij się że gdy wypalasz plik MP3 na płytach CD-R lub CD-RW, nagrywasz je jako dysk z danymi a nie jako dysk audio.
- Nie powinno się zapisywać innych plików bądź niepotrzebnych folderów razem z plikami MP3, w przeciwnym razie czas startu odtwarzania utworów może się wydłużyć.
- Dla niektórych płyt CD-R/RW w zależności od jakości produktu dane mogą być niepoprawnie nagrane.
- Zaleca się stosowanie wysokiej jakości płyt CD-R, CD-RW.
- Wyświetlane jest do 16 znaków dla nazwy albumu lub ścieżki, wymagany ID3 tag 1.x
- Urządzenie może nie odtworzyć utworów w kolejności z jaką zostały one nagrane na płytę.

PILOT ZDALNEGO STEROWANIA

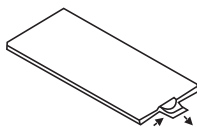


- | | |
|--|-------------------------------|
| 1. Włącznik | 10. Przełącznik trybu pracy |
| 2. Pauza / Play / Przycisk numeryczny1 | 11. AF (RDS) |
| 3. Intro / Przycisk numeryczny2 | 12. TA (RDS) |
| 4. Powtarzanie / Przycisk numeryczny3 | 13. Scan |
| 5. Random / Przycisk numeryczny4 | 14. APS / AMS |
| 6. Przycisk numeryczny5 | 15. PTY (RDS) |
| 7. Przycisk numeryczny6 | 16. Zmiana pasma |
| 8. Wyciszenie | 17. Strojenie |
| 9. Regulacja poziomu dźwięku | 18. Wybór ścieżki / F F / F R |
| | 19. Ustawienia dźwięku |

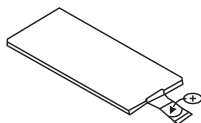
WYMIANA BATERII

Gdy skróci się zasięg działania pilota lub pilot przestanie funkcjonować, należy wymienić baterię w pilocie na nową (typu CR2025) podczas wymiany należy zwrócić uwagę na polaryzację baterii.

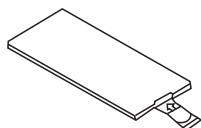
1. Zdejmij pokrywę baterii pilota



2. Włóż nową baterie zgodnie z oznaczoną polaryzacją



3. Załóż pokrywkę baterii



SPECYFIKACJA

Ogólna

Power Supply Requirements:	DC 14,4V, Uziemienie na minusie
Load Impedance:	4 ohms
Maximum Output Power:	40W X 4(CH)
Chassis Dimensions:	178x163x50mm(WxDxH)
Current Drain:	15A

Kontrola tonów

Bass (at 100Hz):	+10dB/-10dB
Treble (at 10K):	+10dB/-10dB

USB/SD

Signal to Noise Ratio:	> 60dB
Channel Separation:	> 60dB
Frequency Response:	20Hz-20KHz

Radio FM

Frequency Coverage (MHz):	87.5 - 108MHz
IF:	10.7MHz
Sensitivity (S/N-30dB):	12dBu
Stereo Separation:	>30dB

Radio AM

Frequency Coverage (KHz):	522 - 1620KHz
IF:	450KHz
Sensitivity (S/N-20dB):	42dBu

Uwaga:

specyfikacja urządzenia może ulec zmianie bez wcześniejszego powiadomienia.

Poland



**Prawidłowe usuwanie produktu
(zużyty sprzęt elektryczny i elektroniczny)**



Oznaczenie umieszczone na produkcie lub w odnoszących się do niego tekstach wskazuje, że po upływie okresu użytkowania nie należy usuwać z innymi odpadami pochodzącymi z gospodarstw domowych. Aby uniknąć szkodliwego wpływu na środowisko naturalne i zdrowie ludzi wskutek niekontrolowanego usuwania odpadów, prosimy o oddzielenie produktu od innego typu odpadów oraz odpowiedzialny recykling w celu promowania ponownego użycia zasobów materialnych jako stałej praktyki.

W celu uzyskania informacji na temat miejsca i sposobu bezpiecznego dla środowiska recyklingu tego produktu użytkownicy w gospodarstwach domowych powinni skontaktować się z punktem sprzedaży detalicznej, w którym dokonali zakupu produktu, lub z organem władz lokalnych.

Użytkownicy w firmach powinni skontaktować się ze swoim dostawcą i sprawdzić warunki umowy zakupu. Produkt nie należy usuwać razem z innymi odpadami komercyjnymi.

Wyprodukowano w CHRL dla LECHPOL Zbigniew Leszek, Miętne ul. Garwolińska 1 08-400 Garwolin.

Czyszczenie płyty CD

Przed włożeniem płyty do odtwarzacza, przetrzyj ją czystą miękką, bezpyłową ściereczką.



Zawsze wkładaj płytę etykietką do góry, jeżeli płyta jest włożona etykietką do dołu, może uszkodzić urządzenie.



Uwaga: jeśli w gnieździe płyt znajduje się już płyta CD, nie próbuj wkładać drugiej, ponieważ może to uszkodzić urządzenie.
Zawsze chwytaj płytę za brzegi. Aby utrzymać płytę w czystości nie dotykaj nie zadrukowanej strony. patrz rysunek poniżej:



Nie przyklejaj żadnych nalepek lub karteczek na płytę.
Nie zostawiaj płyty bezpośrednio na słońcu lub przy źródle ciepła.
Nie zostawiaj płyty w samochodzie zaparkowanym bezpośrednio na słońcu, samochód w takich warunkach bardzo się nagrzewa.
Uwaga: do czyszczenia płyty nie używaj środków chemicznych. Dostępne w sprzedaży środki w aerozolu mogą zniszczyć urządzenie.

ROZWIĄZYWANIE PROBLEMÓW

W przypadku wystąpienia jakichkolwiek problemów z urządzeniem, na początku sprawdź poprawność podłączenia przewodów. Jeżeli kłopoty z urządzeniem nie znikną po przesłedzeniu poniższej listy skontaktuj się z serwisem.

Symptom	Przyczyna	Rozwiązanie
Brak zasilania	Wyłączona stacyjka	Przekręć kluczyk w stacyjce
	Spalony bezpiecznik	Wymień bezpiecznik
Nie można włożyć lub wyjąć płyty	Jedna płyta już jest w odtwarzaczu	Wymnij płytę z odtwarzacza
	Płyta wkładana odwrotnie	Wkładaj płyty nadrukiem do góry
	Płyta jest zabrudzona lub uszkodzona	Wyczyść płytę lub włóż nową
	Temperatura w samochodzie jest za wysoka	Przewietrz samochód aby temperatura spadła do normalnego poziomu
	Kondensacja	Wyłącz odtwarzanie na ok godzinę i spróbuj ponownie
Brak dźwięku	Dźwięk jest wyciszony	Zwiększ poziom dźwięku
	Kable podłączone niewłaściwie	Sprawdź podłączenie przewodów
Dźwięk przerywa	Radio zainstalowane pod kątem powyżej 30 stopni	Zainstaluj poprawnie radio
	Płyta jest mocno zabrudzona lub uszkodzona	Wyczyść płytę lub włóż nową
Przyciski nie działają	Niepoprawna instalacja panela	Wciśnij przycisk RESET załóż poprawnie panel
Radio lub automatyczne wyszukiwanie nie działa	Antena jest niepoprawnie podłączona	Poprawnie podłącz antenę
	Sygnal jest za słaby	Ustaw stacje ręcznie

Nowe funkcje CD/DVD

1. DOS (Dynamic Open Screen - wygaszacz ekranu)

Wygaszacz ekranu uruchamia się gdy jednostka centralna jest włączona. Po naciśnięciu jakiegokolwiek przycisku radio powraca do wybranego trybu.

DEMO ON:

Naciśnij i przytrzymaj przycisk SEL i wybierz z menu Demo On, pokręć gałką regulacji głośności i ustaw Demo ON. Następnie zatwierdź ustawienia przyciskiem SEL. Wygaszacz ekranu od tej chwili będzie aktywny

DEMO OFF:

Naciśnij i przytrzymaj przycisk SEL i wybierz z menu Demo OFF, zatwierdź ustawienia przyciskiem SEL.

2. RGB (Ustawienia podświetlania)

Za pomocą tych ustawień można zmienić kolor podświetlania przycisków.

Domyślne ustawienia kolorów:

Naciśnij i przytrzymaj przycisk DISP (6) następnie pokręć gałką regulacji głośności i wybierz Auto OFF, naciśnij ponownie przycisk DISP i wybierz jeden z domyślnych kolorów: niebieski, zielony, czerwony, pomarańczowy, purpurowy, lub biały.

Personalizacja ustawień kolorów:

Naciśnij i przytrzymaj przycisk DISP (6) następnie pokręć gałką regulacji głośności i wybierz Auto OFF, naciśnij ponownie przycisk DISP i wybierz customize setting:

RED - obróć gałką regulacji głośności w lewo lub w prawo i wybierz wartość koloru czerwonego z przedziału 00~32 następnie naciśnij przycisk DISP by zaakceptować.

GREEN - obróć gałką regulacji głośności w lewo lub w prawo i wybierz wartość koloru zielonego z przedziału 00~32 następnie naciśnij przycisk DISP by zaakceptować.

BLUE - obróć gałką regulacji głośności w lewo lub w prawo i wybierz wartość koloru niebieskiego z przedziału 00~32 następnie naciśnij przycisk DISP by zaakceptować.

3. IPC (iPhone - kontrola muzyki)

Przy użyciu tej funkcji muzyka z iPhone'a może być odtwarzana i kontrolowana przez urządzenie: Play / Pauza / następny utwór / poprzedni utwór.

Naciśnij przycisk Press Mode (5) i wybierz tryb AUX i podłącz iPhone przez dostarczony kabel.

Dwa rodzaje uchwytów do wyboru:



4. AEM (Aux Extend voice control Mode)

Komunikaty GPS:

Dostępne w każdym trybie, podłącz iPhone'a do gniazda AUX-in, aktywuj funkcję GPS w telefonie (Telefon musi mieć zainstalowaną tę aplikację).

Ustaw AEM ON w urządzeniu, by podczas komunikatów GPS nadawanych z iPhone'a, radio na ten czas ściszało głośność i podawało komunikaty GPS. Po 5 sekundach od chwili zakończenia nadawania komunikatów, głośność radia wróci do poprzedniego poziomu.

AEM ON:

Naciśnij i przytrzymaj przycisk SEL i wybierz z menu AEM ON/OFF, gałką zmiany głośności ustaw opcję na ON.

AEM OFF:

Naciśnij i przytrzymaj przycisk SEL i wybierz z menu AEM ON/OFF gałką zmiany głośności ustaw opcję na OFF.

* Podłącz iPhone do gniazda AUX dostarczonym kablem.

**** Gdy funkcja AEM jest włączona, Każde źródło dźwięku z iPhone'a zostanie przetransmitowane do radia.**

Dwa rodzaje uchwytów do wyboru:



5. IPH (iPhone Handfree)

Answering Phone Calls:

Dostępne w każdym trybie, podłącz iPhone'a do gniazda AUX-in. Gdy nadejdzie połączenie, odbierz je na iPhone lub naciśnij przycisk PLAY na radiu. Naciśnij go ponownie by się rozłączyć. Podczas rozmowy telefonicznej dźwięk obecnego trybu radia zostanie wyciszony. Po 5 sekundach od zakończenia połączenia dźwięk zostanie wznowiony.

- Funkcje IPC, AEM, IPH są dostępne iPhone, niektórych modelach Motorola, HTC, T-Mobile, BlackBerry, LG i Sumsung (zgodnych z gniazdem iPhone 4h / 3,5 mm). na przykład Motorola XT615, LG920, Sumsung Galaxy Note....itd.

** Producent nie gwarantuje kompatybilności z różnymi wersjami wymienionych modeli

Specyfikacja może ulec zmianie bez wcześniejszego powiadamiania.

i nie jest gwarantowany.

Dwa rodzaje uchwytów do wyboru:



CUPRINS

<i>Instalare</i>	70
<i>Schema de conectare</i>	72
<i>Panoul frontal</i>	73
<i>Functii generale</i>	74
<i>Functii radio</i>	77
<i>CD / SD / MMC / USB</i>	79
<i>System RDS</i>	82
<i>MP3 / WMA</i>	83
<i>Telecomanda</i>	84
<i>Specyfikatii</i>	86
<i>De retinut inainte de operare</i>	87
<i>Depanare</i>	88
<i>Noile caracteristici CD / DVD</i>	89

PRECAUTIONS

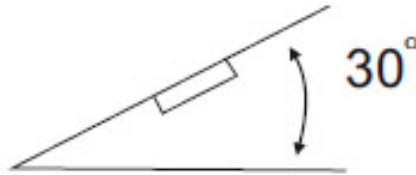
Locul de instalare trebuie ales astfel incat aparatul sa nu deranjeze conducatorul auto .

Inainte de instalarea finala, conectati temporar aparatul si asigurati-va ca este conectat in mod adecvat si ca atat el cat si sistemul functioneaza in parametri normali.

Folositi numai componentele din dotare pentru a va asigura ca instalarea este corecta. Utilizarea altor componente poate provoca defectarea aparatului.

Consultati cel mai apropiat dealer auto daca instalarea aparatului necesita gaurire sau alte modificari ale autoturismului (gaurire, cablare, etc.)

Instalati aparatul astfel incat acesta sa nu deranjeze soferul si sa nu raneasca pasagerii in cazul unei opriri bruste.



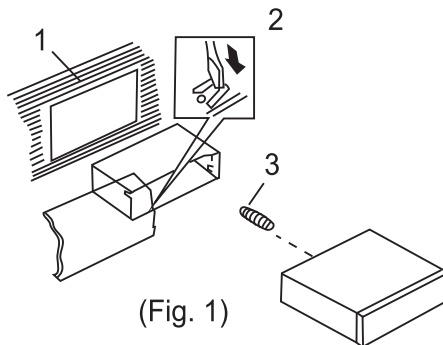
MONTARE PRIN FATA (Metoda A)

Installing the unit

1. Tabloul de bord
2. Suportul

Dupa inserarea suportului in tabloul de bord, selectati agatatorile in functie de grosimea materialului tabloului de bord si indoiti-le pentru a fixa suportul la locul lui. (fig.1)

3. Surub



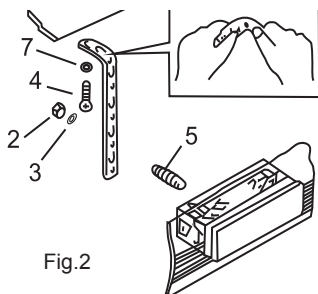


Fig.2

1. Tabloul de bord
2. Piulita (5mm)
3. Saiba de siguranta
4. Surub (5 x 25mm)
5. Surub
6. Banda

Folositi banda pentru a fixa partea din spate a aparatului. Banda poate fi indoita pana in unghiul dorit.

7. Saiba fara filet.

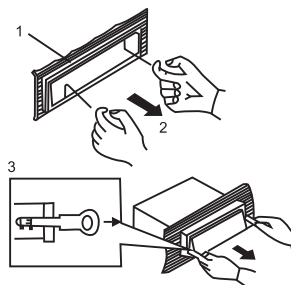


Fig.3

1. Cadru
2. Introduceti degetele in canelura din fata cadrului si trageți pentru a scoate cadrul. (Pentru a fixa cadrul inca o data, formati alte orificii si atasati aparatul).
3. Cheita

Introduceti cheita cu care este dotat aparatul in canelura din ambele parti ale aparatului, pana cand auziti un pocnet. Aceasta va face posibila inlaturarea aparatului din tabloul de bord.

MONTARE PRIN SPATE (Metoda B)

Instalarea se face folosind gaurile suruburilor de pe extremitatile aparatului .

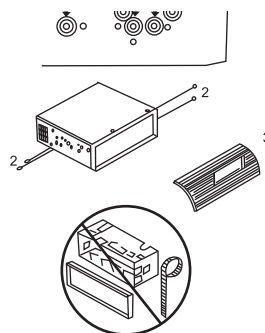
Fixarea aparatului in lacasul original

Suport de montare:

1. Alegeti o pozitie in care gaurile de surub ale suportului si cele ale unitatii centrale sa fie pe aceeasi linie si strangeti suruburile in doua locuri pe fiecare parte. Folositi fie suruburi de ancorare (5x5mm) fie suruburi cu cap ingropat (4x5mm).

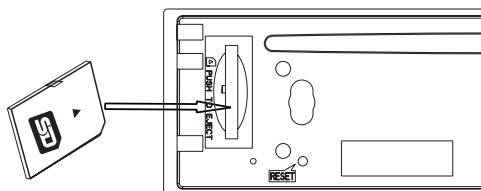
2. Surub

3. Tabloul de bord sau Consola.

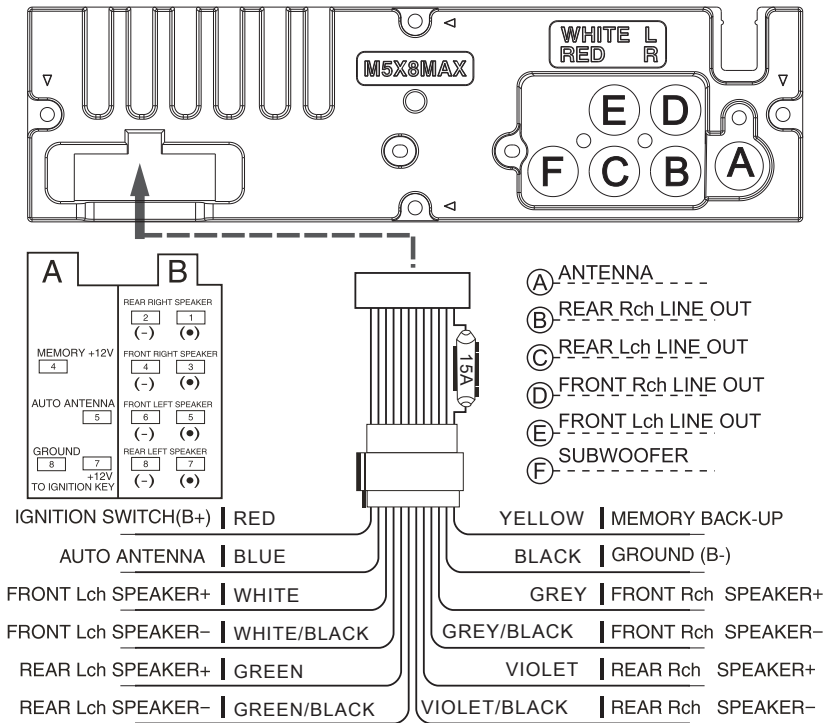


INTRODUCEREA CARDULUI SD

Unghiul oblic al cardului SD mentine expunerea descendentă: introduceti-l in spatiul SD si apasati inca o data pentru a-l scoate.



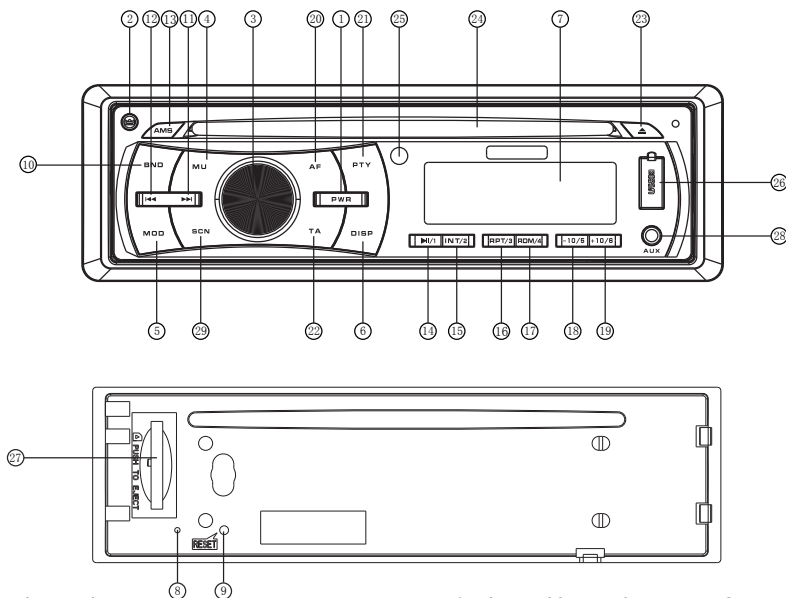
SCHEMA DE CONECTARE



IGNITION SWITCH (B+); RED – BUTON CONTACT (B+); cablu rosu
 AUTO ANTENNA, blue – ANTENA AUTO, cablu albastru
 FRONT Lch SPEAKER „+”, WHITE – DIFUZOR FATA Lch „+”, cablu alb
 FRONT Lch SPEAKER „-”, WHITE/BLACK – DIFUZOR FATA Lch „-”, cablu alb/negru
 REAR Lch SPEAKER „+”, GREEN – DIFUZOR SPATE Lch „+”, cablu verde
 REAR Lch SPEAKER „-”, GREEN/BLACK – DIFUZOR SPATE Lch „-”, cablu verde/negru
 YELLOW, MEMORY BACKUP – ALIMENTARE MEMORIE, fir galben (se leaga la +)
 BLACK, GROUND – MASA, cablu negru
 FRONT Rch SPEAKER „+”, GREY – DIFUZOR FATA Rch „+”, cablu gri
 FRONT Rch SPEAKER „-”, GREY/BLACK – DIFUZOR FATA Rch „-”, cablu gri/negru
 REAR Rch SPEAKER „+”, VIOLET – DIFUZOR SPATE Rch „+”, cablu violet
 REAR Rch SPEAKER „-”, VIOLET/BLACK – DIFUZOR SPATE Rch „-”, cablu violet/negru

ANTENNA – ANTENA
 REAR Rch LINE OUT – IESIRE LINIE Rch SPATE
 REAR Lch LINE OUT – IESIRE LINIE Lch SPATE
 FRONT Rch LINE OUT – IESIRE LINIE Rch FATA
 FRONT Lch LINE OUT – IESIRE LINIE Lch FATA
 SUBWOOFER

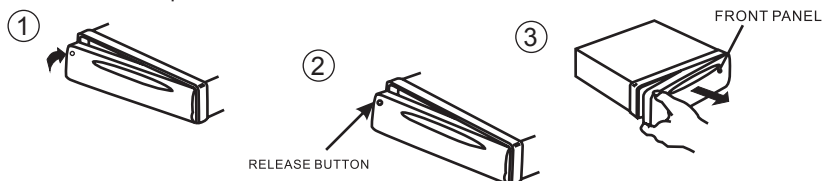
PANOUL FRONTAL



- | | |
|---|---|
| 1. Buton de pornire | 15. Intro si butonul presetat 2 |
| 2. Buton RELEASE (pentru detasare fata) | 16. Repetare si butonul presetat 3 |
| 3. Butonul pentru VOLUM/SELECTARE | 17. Alegere la intamplare a melodiilor si |
| 4. Buton MUTE | butonul presetat 4 |
| 5. Comutator MOD | 18. Butonul presetat 5 |
| 6. Culori afisaj/setare | 19. Butonul presetat 6 |
| 7. Afisaj LCD | 20. Buton frecvente alternative |
| 8. LED intermitent | 21. Buton pentru tipul programului |
| 9. Resetare | 22. Buton informatii trafic |
| 10. Comutator Lungime de banda /selectare ID3 | 23. Eject |
| 11. Cautarea frecventei si Derulare inainte | 24. Slot CD |
| 12. Cautarea frecventei si Derulare inapoi | 25. Senzorul pentru telecomanda |
| 13. Stocare automata a memoriei | 26. Conector USB |
| 14. Redare/Pauza si butonul presetat 1 | 27. Slot card SD/MMC |
| | 28. Mufa pentru AUX |
| | 29. Buton SCN |

INSTALAREA PANOULUI FRONTAL

Pentru instalarea panoului frontal, introduceti-l in suport conform figurii de mai jos. Asigurati-va ca este instalat corespunzator, in caz contrar, pe afisaj pot aparea neregularitati sau unele butoane nu vor functiona corespunzator.



FUNCTII GENERALE

Pornire/Oprire sistem

Apasati orice buton pentru a porni aparatul. Apasati si tineti apasat butonul PORNIRE pentru a opri aparatul.

Nota: Dupa oprirea aparatului, nivelul volumului si setarile radio curente vor fi memorate, iar la pornirea aparatului, acesta va relua statusul memorat, pe care l-ati setat.

Deconectare panou frontal

Apasati butonul REL (2) pentru demontarea panoului frontal detasabil.

Reglarea sunetului

Apasarea butonului (3) poate regla calitatea dorita a volumului.

A) Apasarea butonului SEL (3) va schimba urmatoarea ordine:

Optiuni:



Controlul Volumului/ Selectare

Rotiti acest buton pentru a regla Volumul/Bass/Treb/Bal/Fad. Pentru a selecta functiile, apasati butonul pentru VOL scurt pana cand functiile dorite apar pe afisaj.

Mariti sau micorati volumul prin rotirea butonului VOL la dreapta sau stanga. Aceste butoane pot fi folosite pentru reglare BASS, TREBLE, BALANCE si FADER.

Bass

Apasati butonul VOL/SEL (3) o data. Reglati nivelul de bass folosind butonul VOL/SEL (3).

Treble

Apasati butonul VOL/SEL (3) de doua ori. Reglati nivelul de inalte (treble) folosind butonul VOL/SEL (3).

Balans

Apasati butonul SEL (3) de trei ori. Reglati balansul intre difuzoarele stanga si dreapta folosind butonul VOL/SEL (3).

Fader

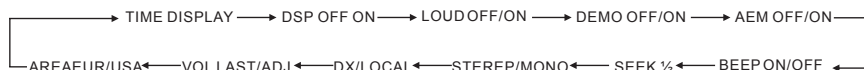
Apasati butonul VOL/SEL (3) de patru ori. Reglati balansul dintre difuzoarele din fata si cele din spate folosind butonul VOL/SEL (3).

MUTE - SILENTIOS

Apasati butonul MUTE (4) pentru a pune sunetul pe silentios. Apasati-l inca o data pentru a reveni la volumul anterior.

ALTE REGLARI

Apasati butonul VOL/SEL (3) timp de cateva secunde se va activa ca si mod ciclic al urmatoarelor functii la alegerea utilizatorului:



Apasati si tineti apasat butonul pentru a accesa diferite moduri:

Apasati si tineti apasat butonul pentru a accesa automat modul DSP:

Prin rotirea butonului puteti alege intre functiile Flat, CLASSIC, Pop si Rock.

Prin apasarea butonului puteti alege modul favorit DSP.

Pe modul DSP, apasati butonul o data pentru accesarea modului ESP (Protectie Electronica la soacuri):

Prin rotirea butonului puteti alege optiunea de 12 secunde sau 45 secunde ESP.

Prin apasarea butonului puteti selecta optiunea de secunda dorita ESP.

Pe modul DSP, apasati butonul de 2 ori pentru accesarea modului BEEP, prin rotirea butonului pentru alegerea optiunii on (pornit) sau off (oprit), apasati butoanele pentru a selecta optiunea on (pornire) sau off (pornire).

VOL LAST/ADJUST

Aceasta functie va permite sa setati nivelul volumului aparatului dupa ce a fost oprit si pornit din nou.

Alegeti VOL LAST daca doriti ca nivelul volumului sa fi acelasi cu cel de dinainte de oprirea aparatului.

VOL ADJUST va permite sa alegeti nivelul volumului.

Modul CAUTARE

CAUTARE 1: Cand modul CAUTARE 1 este activate, SCANAREA AUTOMATA este oprita cand un post radio este detectat, chiar daca utilizatorul continua sa apese butonul de CAUTARE.

CAUTARE 2: SCANAREA AUTOMATA nu s-a oprit chiar daca postul radio a fost detectat si utilizatorul continua sa apese butonul. Cand butonul CAUTARE este eliberat, modul se va opri dupa detectarea postului radio.

SELECT MODE – MODUL SELECTARE

Apasand acest buton (5) veti putea alege intre diferite functii:

- Frecventa (radio)
- CD (MP3 CD)

Pentru a avea acces la acest mod trebuie sa existe un CD in aparat.

- CARDUL DE MEMORIE

Pentru a accesa acest mod trebuie sa existe un card in aparat.

- USB

Pentru a accesa acest mod un dispozitiv USB trebuie conectat.

- componenta AUX.

REGLARE ORA

Apasati si tineti apasat butonul SEL pana cand ora curenta este afisata. Apasati apoi butonul vol „+” pentru a regla orele si apasati butonul vol „-”, pentru a regla minutele. La finalizarea reglarilor orei, apasati butonul SEL pentru a confirma setarea orei.

LIQUID CRYSTAL DISPLAY- AFISAJ CU CRISTALE LICHIDE

Sunt expuse aici frecventa curenta si functiile activate (7).

FLASHING LED – LED INTERMITENT

Daca partea detasabila a aparatului nu se fixeaza in aparat, LED-ul (8) va lumina intermitent.

FUNCTII RADIO

Alegerea lungimii de unda

Apasati butonul (10) (BAND-Lungimea de unda) in mod repetat pentru a alege lungimea de unda in urmatoarea ordine:



Alegerea postului radio

Pe modul RADIO, apasati scurt SEEK << (cautare) sau butonul sau SEEK >> pentru a cauta automat un post radio, apasati SEEK << (cautare) sau butonul sau SEEK >> timp mai multe secunde pentru functia de reglare manuala.

Memorare automata si scanare programe

- MEMORARE AUTOMATA

Apasati butonul (13) AMS (MP3) pentru cateva secunde, radioul cauta o frecventa si verifica semnalul pana cand un ciclu de cautare este terminat.

Astfel, primele 6 dintre posturile de radio receptionate sunt stocate fiecare la butonul corespunzator.

- SCANARE PROGRAME

Apasati scurt butonul (13) AMS (MP3) pentru a scana un post de radio reglat. Cand modul AMS este pornit, simbolul „INT” apare pe afisaj. Puteti de asemenea apasa butoanele corespunzatoare sau butonul AMS cand postul radio dorit este schimbat. Acel post radio va porni.

Stocarea posturilor radio

Apasati butoanele presetate (14-19)

MODUL RADIO

M1 ~M6

- MEMORIE PRESETATA este incarcata cand este apasat butonul pentru mai putin de 1 secunda.

- MEMORIE PRESETATA este salvata cand este apasat butonul pentru mai mult de 1 secunda.

2) CD/ MP3/ FLASH MP3

PORNIRE/PAUZA

Apasati si butonul (14) este activat. In timpul PAUZEI, INDICATORUL DE DISC lumineaza intermitent.

TOP- prima melodie va incepe cand primul buton este apasat pentru mai multi de 0.5 sec.

INT

Apasati butonul (15). In timp ce butonul INTRO este pomit, indicatorul INT va pomi primele 10 secunde din fiecare melodie, pana la ultima. Se va derula tot discul de unde a inceput INT

STEREO/MONO

Cand posturile radio FM au semnal slab si se receptioneaza cu bruiaje, receptionarea acestora poate fi imbunatatita prin selectarea modului MONO.

LOCAL/DX

Alegeti pozitia "locala" in zone cu semnal puternic pentru a permite radioului sa selecteze doar posturile radio cu semnal puternic in timpul reglarii manuale.

Nu alegeti aceasta optiune in zone cu semnal mai slab, pentru a putea asculta toate posturile radio.

MODUL LOUD PORNIT/OPRIT

Pe modul LOUD frecventele joase (basii) si cele inalte (treble) vor fi accentuate.

LOUDNESS

Nacišnjij przycisk SEL i wybierz ustawienia LOUD . By aktywować funkcję przekreść gałką regulacji głośności.

SCANARE

Apasati butonul (29) pentru a cauta un post radio. Cand nivelul intensitatii semnalului este mai mare decat nivelul de oprire, radioul va continua redarea postului timp de 5 secunde si frecventa va palpai intermitent pe afisajul LCD.

Apasati si tineti apasat butonul de scanare (29) mai mult de 3 secunde pentru a selecta postul dorit. Radioul va porni redarea postului.

SETARE ZONA

Pe modul Radio, apasati butonul SEL timp de cateva secunde. Afisajul LCD va indica BEEP ON

CD/SD/MMC/USB

REDARE DISCURI

Acest aparat functioneaza cu urmatoarele tipuri de discuri: CD/CD-RI-RW.Este compatibil cu formatele: CD DNMP3/WMA.

INCARCAREA SI SCOATEREA UNUI DISC

- 1.Pomiti aparatul.
2. Introduceti discul cu partea imprimata in sus in spatiul destinat acestuia.
3. Apasati butonul EJECT pentru a scoate discul.

CARD MULTI-MEDIA MMC/SLOT CARD SD

Aparatul suporta doar formatele MP3/JWM/NID3. Detasati panoul frontal. Introduceti cu grija cardul SD/MMC in spatiul destinat acestuia in panoul din interior. Atasati panoul frontal la loc. Aparatul porneste redarea in mod automat.

SLOT USB

Conectati cu grija dispozitivul USB la cablul adaptorului USB si apoi introduceti-l in mufa USB a panoului frontal. Aparatul porneste redarea automat.

NOTE ASUPRA SLOTULUI USB/SD/MMC

Funcțiile USB (memorie tip flash), redare muzica MP3:

1. Suporta card SD/MMC.
2. FAT12/ FAT16/ FAT 32
FAT12/ FAT16 (nr. max. directoare:200, nr. maxim fisiere: 500) FAT32 (nr. max. directoare:200, nr. maxim fisiere: 500)
3. Denumire fisier. 32 biti/ Denumire dir.: 32 biti.
- 4.Tag(id3 tag ver 2.0) Titlu/Artist/Aibum: suporta 32 biti.
5. Nu suporta un dispozitiv ce citeste mai multe carduri.
6. Suporta un dispozitiv USB 2.0.

Nota:

Formatul USB suporta 2.0. Capacitate: pana la 0.4GB.

Marcii carduri SO: Cannon, Fuji, Palm, Motorola, Microsoft, IBM, HP, Compaq, Sharp, Samsung, etc.

Capacitate: pana la 4GB.

Marcii carduri MMC: Ericsson, Nokia, Motorola, HP, Palm, Sanyo, Microsystem, etc. Capacitate: pana la 4GB.

Nota: Datorita gamei largi de produse cu dispozitive pentru card SO si MMC si functiile acestora specifice producatorului, acesta din urma nu poate garanta nici ca dispozitivele vor fi recunoscute, dar nici ca optiunile de functionare posibile in teorie vor functiona in realitate.

CD/SD/MMC/USB OPERATIONS

INFORMATII ID3 TAG

Acest aparat suporta Id3 tag ver. 2.0. Daca un fisier MP3 detine informatie Id3 tag, va fi afisat pe LCD. Daca nu exista informatie 103 tag, pe ecran nu va aparea nimic. Informatia 103 tag poate include Fisier, Director, Muzica, Album sau date despre Artist.

URMATOR/ANTERIOR

Apasati butoanele URMATORIANTERIOR pentru a alege piesa urmatoare sau anterioara. Apasati mai mult de o secunda, pentru a alege derulare inainte sau inapoi.

PORNIRE/PAUZA

Apasati butonul PAUZA pentru a intrerupe redarea, apasati inca o data pentru a relua redarea normala.

INTRO (examinare toate piesele)

Cand apasati acest buton, simbolul INT ON este afisat si primele cateva secunde din fiecare piesa vor fi redade. Apasati inca o data pentru a opri optiunea INTRO pentru a asculta piesa.

REPETARE

Cand apasati butonul RPT, simbolul "RPT" va aparea pe ecran, iar redarea piesei selectate se va repeta continuu pana la anularea modului printr-o noua apasare a butonului.

RANDOM

Cand apasati butonul RDM, simbolul "RDM ON" va aparea pe ecran, iar fiecare piesa va fi redata la intamplare si nu in ordine normala. Pentru anularea modului RANDOM apasati inca o data butonul.

SELECTARE PIESA UP/DOWN (In cazul fisierelor MP3/WMA)

- Buton 10/5: 10 piese jos.
- + Buton 10/6: 10 piese sus.

SELECTAREA FISIERELOR MP3/WMA

1. Durata cautare:

- Apasati butonul AMS o singura data, durata de cautare este activata.
- Rotiti butonul VOL la dreapta sau stanga, selectati durata dorita.
- Apasati butonul VOL, durata selectarii piesei va fi redata.

2. Cautare Piesa:

- Apasati butonul AMS de doua ori, cautarea piesei este activata.
- Rotiti butonul VOL spre dreapta sau stanga, selectati piesa dorita.
- Apasati butonul VOL, piesa aleasa va porni.

CD/SD/MMC/USB

3. Cautare denumire fisier:

- Apasati butonul AMS de 3 ori, cautarea fisierului este activata.
- Apasati butonul VOL, primul director va fi afisat.
- Rotiti butonul VOL spre dreapta sau stanga, puteti selecta directorul dorit.
- Apasati butonul VOL inca o data, directorul este stabilit si denumirea primului fisier va fi afisata.
- Rotiti butonul VOL spre dreapta sau stanga, puteti selecta fisierul dorit.
- Apasati butonul VOL, piesa selectata va pomi.

4. Cautare Caracter:

- Apasati butonul AMS de 4 ori, modul de cautare al caracterelor este activat.
- Apasati butonul VOL, caracterul * va fi afisat.
- Rotiti butonul VOL spre dreapta sau stanga, puteti selecta litera dorita.
- Apasati butonul VOL mai mult de 2 sec.
- Piesa avand acelasi caracter cu eel selectat este afisata.
- Rotiti butonul VOL spre dreapta sau stanga, puteti selecta piesa dorita.
- Apasati butonul VOL , piesa selectata va pomi.

FUNCTII RDS (SISTEM DE DATE RADIO)

AF: Frecvente Alternative

- pentru a seta Modul RDS, apasati butonul AF (20) si eliberati butonul pentru a porni sau opri modul RDS. Ori de cate ori modul RDS este pornit, simbolul AF va aparea pe afisaj.

AF/REG

AF

- tasta AF/REG indica activarea CAUTARII FRECVENTELOR ALTERNATIVE.

- Indicatorul AF este afisat cand AF este pornit, cautarea se activeaza atunci cand semnalul receptionat nu mai este bun.

- In modul FM, cand AF este pornit, functiile de CAUTARE, SCANARE, AUTO, MEMORARE pot receptiona si salva doar programe RDS. Cu toate acestea, cand optiunea ITALIA este activata, indiferent daca e sau nu RDS, programele care corespund nivelului SD pot fi receptionate si salvate.

Ikona	Opis
AF ON	modul AF ON, informatie RDS primita
AF OFF	modul AF OFF
AF blink	modul AF ON, nu se recepteaza informatii RDS

REGION

- modul AF este transformat in modul REGION ON/OFF cand modul AF ON este apasat pentru mai mult de 1 secunda.

- ON: CODUL PI este verificat cand controlul AF este in desfasurare.

- OFF: CODUL PI si SUPRAFATA DE ACOPERIRE nu sunt verificate cand AF este in desfasurare.

PTY

MODUL RADIO

- PTY anterior este afisat cand tasta PTY (21) este apasata. Daca nici o alta tasta nu este apasata timp de 2 secunde, PTY anterior selectat va fi cautat. In timpul LOOP 1, daca PTY dorit nu este gasit, NO PTY va fi afisat.

- 2 tipuri de programe: SPEECH si MUSIC.

Apasand PTY o data, apare optiunea MUSIC. Cand PTY este apasat a doua oara, apare optiunea SPEECH.

Tastele M1-M6 pot fi folosite pentru alegerea tipului de program dorit.

TA

Butonul TA (22) functioneaza dupa cum urmeaza:

- TA este pornit/oprit si indicatorul TA este afisat.

Cand se transmit informatii despre trafic, indiferent de mod, informatiile se primesc.

Daca NIVELUL VOLUMULUI este sub 20, volumul se ridica la 20, si revine la modul si volumul anterior daca informatiile despre trafic s-a oprit.

Daca volumul este modificat in timpul unei informatii despre trafic, numai volumul anterior este valabil.

- Cand TA este pornit, functiile SEEK, SCAN, AUTO MEMORY pot fi receptionate sau salvate numai daca se primeste codul de identificare al programului traficului.

- Cand TA este pornit, codul de identificare al programului traficului nu se receptioneaza intr-un timp stabilit.

ALARMA TA: nici o functie TA/TP nu este afisata iar alarma este dezactivata.

CAUTARE TA: CAUTAREA TA este activata.

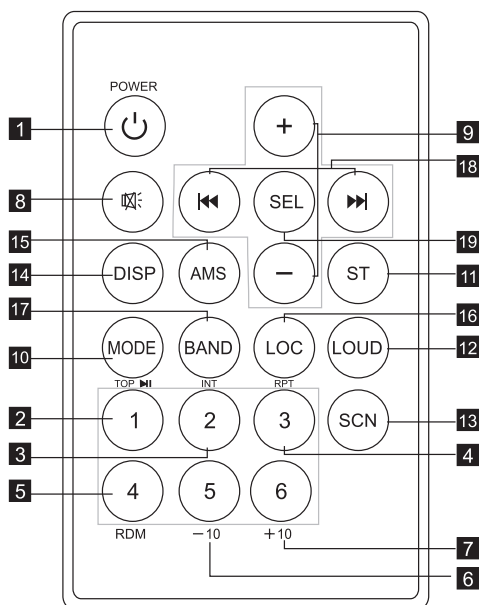
MP3 / WMA

- MP3 reprezinta prescurtarea pentru Nivelul Audio 3 MPEG si face referire la un standard de compresie audio.
- Acest dispozitiv permite redarea fisierelor MP3 de pe CD-ROM, CD-R sau CD-RW.
- Aparatul poate citi fisiere scrise in format MP3 conform standardului ISO 9660. Cu toate acestea nu suporta date MP3 scrise cu ajutorul metodei impachetarii.
- Aparatul nu poate citi un fisier MP3 cu o alta extensie decat .mp3".
- Daca incercati sa ascultati un fisier care nu este in format MP3 si care are extensie .mp3", se pot auzi niste zgomote.
- In acest manual facem referire la ceea ce se numesc "fisier MP3" si "director" in terminologia PC ca si ".piesa" si respectiv ".album".
- Numarul maxim la nivelului directorului este 8, inclusiv directorul radacina. Numarul maxim de fisiere si directoare/ disc este de 256.
- Aparatul nu poate reda piesele in ordinea numerelor pieselor.
- Aparatul reda doar piesele audio, daca discul contine atat piese audio cat si fisiere MP3.
- Cand ascultati un disc de 9 kbps sau ".VBR", durata redarii de pe afisaj nu va fi corecta side asemenea redarea into s-ar putea sa nu functioneze corespunzator. (VBR": Rata Biti Variabila)
- Aparatul suporta redarea fisierelor WMA. Redarea ID3 tag pentru formatul WMA nu este garantata, depinde de versiuni si de disponibilitatea alfabetului chirilic.
- WMA (Windows Media Audio) -format comprimare muzica, creat de Microsoft Corporation. Acest format utilizeaza algoritm codificat pentru comprimarea inregistrarii audio initiale, diminuand considerabil dimensiunile fisierului, dar pastrand o calitate buna a sunetului chiar si atunci cand rata de transfer este mica (de exemplu 64 Kbit/s).
- Trebuie sa tineti minte ca aparatul s-ar putea sa nu redea piesele in ordinea in care sunt scrise pe disc.

NOTE PRIVIND CREAREA PROPRIULUI CD-R sau CD-RW CARE SA CONTINA FISIERE MP3

- Pentru a va bucura de o calitate mai buna a sunetului, va recomandam conversia fisierelor MP3 cu o frecventa de 44.1kHz si o rata fixa de transfer de 128 kbps.
- Nu memorati mai mult de 256 fisiere MP3/disc.
- Pentru ISO 9660 - format conform cu acest standard, numarul maxim de directoare permise este de 8, inclusiv directorul baza.
- Cand folositi un disc CD-R, redarea este posibila doar pentru discuri care au fost finalizate la scriere.
- Asigurati-va ca atunci cand scrieti MP3 pe CD-R sau CD-RW,, sa fie formatat ca un disc ce contine date si NU ca un disc audio.
- Nu trebuie sa scrieti fisiere ce nu sunt MP3 sau fisiere de care nu aveti nevoie impreuna cu fisiere MP3, in caz contrar va fi nevoie de mai mult timp pentru ca aparatul sa inceapa sa redea fisiere MP3.
- Cu anumite CD-R sau CD-RW, s-ar putea ca informatiile sa nu fie scrise corespunzator in functie de calitatea discului. In acest caz, informatiile pot sa fie reproduse incorect. Se recomanda folosirea de CD-R sau CD-RW de calitate superioara.
- Pana la 16 litere sunt afisate pentru numele unui Album sau a unei Piese. Versiunea ID3 tag 1x este necesara.
- Trebuie sa retineti faptul ca aparatul nu poate reda piesele in ordinea in care le-ati scris pe disc.

TELECOMANDA

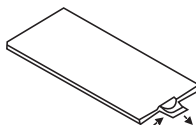


- | | |
|---------------------------------------|---|
| 1. Butonul de pornire | 10. Comutator MODE |
| 2. Buton pauza/ redare/presetare 1 | 11. Buton ST/MO |
| 3. Intro/Buton presetare 2 | 12. Buton Loudness |
| 4. Repeatre redare/ Buton presetare 3 | 13. Buton SCAN |
| 5. Redare RANDOM/ Buton presetare 4 | 14. Buton Afisaj |
| 6. Buton presetat 5 | 15. Buton APS/AMS |
| 7. Buton presetat 6 | 16. Buton LOC/DX |
| 8. Buton MUTE | 17. Comutator lungime de banda |
| 9. Volum | 18. Reglare/Alegerea melodiilor /F.F /F.R |
| | 19. Buton pentru selectarea meniului. |

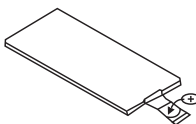
INLOCUIREA BATERIEI LA TELECOMANDA

Cand raza de operare a telecomenzii slabeste sau telecomanda nu mai functioneaza este recomandata inlocuirea bateriei vechi si inlocuirea cu o baterie noua. Asigurati-va ca polaritatea bateriei este corecta înainte de inlocuire, in caz contrar telecomanda se poate defecta.

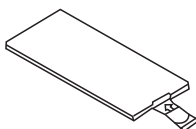
1. Scoateti suportul pentru baterie in timp ce apasati sistemul de blocare



2. Puneti bateria cu semnul (+) in sus in suport



3. Inserati suportul in telecomanda



SPECIFICATII

SPECIFICATII GENERALE

ALIMENTAREA LA RETEA:	DC 14,4V, Minusul la masa
IMPEDANTA	4 ohms
PUTERE MAXIMA:	40W X 4(CH)
DIMENSIUNI:	178x163x50mm(WxDxH)
CURRENT CONSUMAT:	15A

FRECVENTE

BASS (la 100Hz):	+10dB/-10dB
TREBLE (la 10K):	+10dB/-10dB

USB/SD

RAPORT SEMNAL / ZGOMOT	> 60dB
SEPARARE POSTURI:	> 60dB
RASPUNS IN FRECVENTA:	20Hz-20KHz

RADIO FM

Frequency Coverage (MHz):	87.5 - 108MHz
IF:	10.7MHz
SENSIBILITATE (S/N-30dB):	12dBu
SEPARARE STEREO:	>30dB

RADIO AM

Frequency Coverage (KHz):	522 - 1620KHz
IF:	450KHz
SENSIBILITATE (S/N-20dB):	42dBu

NOTA:

SPECIFICATIILE SE POT SCHIMBA FARA O INSTIINTARE PREALABILA

Romania



Reciclarea corecta a acestui produs (reziduuri provenind din aparatura electrica si electronica)



Marcajale de pe acest produs sau mentionate in instructiunile sale de folosire indica faptul ca produsul nu trebuie aruncat impreuna cu alte reziduuri din gospodarie atunci cand nu mai este in stare de functionare. Pentru a preveni posibile efecte daunatoare asupra mediului inconjurator sau a sanatatii oamenilor datorate evacuarii necontrolate a reziduurilor, va rugam sa separati acest produs de alte tipuri de reziduuri si sa-l reciclati in mod responsabil pentru a promova refolosirea resurselor materiale. Utilizatorii casnici sunt rugati sa ia legatura fie cu distribuitorul de la care au achizitionat acest produs, fie cu autoritatile locale, pentru a primi informatii cu privire la locul si modul in care pot depozita acest produs in vederea reciclarii sale ecologice.

Utilizatorii instititionali sunt rugati sa ia legatura cu furnizorul si sa verifice conditiile stipulate in contractul de vanzare. Acest produs nu trebuie amestecat cu alte reziduuri de natura comerciala.

Produs in RPC pentru Lechpol Electronic SRL, Republicii nr. 5, Resita, CS, ROMANIA.

DE RETINUT INAINTE DE OPERARE

Inainte de ascultarea unui CD, curatati-l cu un material curat, fara praf. Curatati discul in directia sagetii.



Introduceti intotdeauna discul cu eticheta in sus. Daca CD-ul este introdus cu panea printata in jos, aparatul poate suferi pagube.



NOTA: Daca exista deja un CD in aparat, nu incercati sa introduceti un altul. Si acest lucru poate strica aparatul.

Intotdeauna tineti CD-ul de margine. Pentru a pastra CD-ul curat nu atingeti suprafata acestuia. Scoateti CD-ul in mod adecvat.



Nu lipiti banda adeziva sau orice alti adezivi pe CD.

Nu expuneti CD-ul luminii directe a soarelui sau altor surse de caldura.

Nu lasati Cd-urile in masina daca aceasta e parcata in lumina directa a soarelui pentru ca aceasta va duce la cresterea temperaturii din masina.

Nota:

Nu folositi dizolvanti precum petrolul sau alti diluanti. Substante antistatice sub forma de spray pentru curatat ce se gasesc in comert vor produce pagube aparatului.

DEPANARE

Înainte de a consulta tabelul, verificați conexiunile cablurilor. Dacă vreuna din probleme persistă după ce ați parcurs tabelul de mai jos, consultați cel mai apropiat furnizor.

Simptome	Cauze	Solții
Nu se auză sunetul	Nu este pus contactul	Dacă alimentarea este corectă, puneți CD-ul
	Siguranta s-a ars	Înlocuiți siguranta
Nu se poate introduce sau scoate CD-ul	Există deja un CD în aparat	Scoateți CD-ul din aparat și introduceți corect CD-ul
	S-a introdus greșit CD-ul	Introduceți corect CD-ul
	CD-ul este foarte murdar sau defect	Curățați CD-ul sau încercați să introduceți un alt CD
	Temperatura din mașină este prea ridicată	Aerisiți până când temperatura revine la normală
Fără sunet	Condens	Lasăți casetofonul închis pentru o oră sau mai mult
	Volumul este la minim	Reglați volumul la nivelul dorit
Sunet întrerupt	Cablurile nu sunt conectate corect	Verificați conexiunea cablurilor
	Unghiul de instalare este mai mare de 30°	Reglați unghiul de instalare la mai puțin de 30°
Sunet întrerupt	CD-ul este foarte murdar sau defect	Curățați CD-ul sau încercați să introduceți un alt CD
	Microprocesorul montat în interior nu funcționează corect	Apăsăți butonul RESETARE sau reinstalați
Radio sau selectarea automată nu funcționează	Cablul de antenă nu este conectat corect	Conectați cablul antenei în mod corect
	Semnalul este prea slab	Selectați posturile de radio manual

Noile caracteristici CD / DVD

1. DOS (Dynamic Open Screen)

Aceasta optiune este activa cand aparatul este pornit. Apasati orice buton pentru a dezactiva functia si a va reintoarce in modul curent.

DEMO ON

Apasati prelung pe butonul SEL, apoi apasati scurt butonul SEL pentru a trece pe modul DEMO ON/OFF, rotiti butonul de volum pentru a selecta DEMO ON apoi apasati SEL pentru confirmare. Modul DEMO ON este utilizat pentru demonstratie. Nici un alt buton nu va mai fi functional in acest mod cu exceptia butonului SEL.

DEMO OFF

Apasati butonul SEL, rotiti din butonul volum pentru a selecta modul DEMO OFF, apoi apasati SEL pentru confirmare.

2. RGB (selectare iluminare RGB)

Iluminarea de fundal se schimba cand aparatul este pornit.

Setare fixa culoare de iluminare

Apasati lung butonul DISP, rotiti butonul volum pentru a selecta functia AUTO OFF, apasati scurt DISP pentru a selecta o culoare fixa (din albastru, verde, orange, purpuriu, alb).

Setare culoare preferata de iluminare

Apasati lung butonul DISP, rotiti butonul volum pentru a selecta functia AUTO OFF, apasati scurt DISP pentru a selecta o culoare dorita:

- RED – rotiti volumul pentru a selecta intre valorile 00 – 32, apasati DISP pentru confirmare
- GREEN - rotiti volumul pentru a selecta intre valorile 00 – 32, apasati DISP pentru confirmare
- BLUE - rotiti volumul pentru a selecta intre valorile 00 – 32, apasati DISP pentru confirmare

3. IPC (control muzica iPhone)

Cu aceasta functie se poate reda muzica de pe iPhone. Apasati pe butonul MODE pentru a selecta AUX. Conectati aparatul iPhone la intrarea AUX cu ajutorul cablului din dotare (sau achizitionat separat).

In figura de mai jos se arata modelele de suport iPhone care sunt disponibile.



4. AEM (Aux Extend voice control Mode)

4. AEM (Aux Extend voice control Mode)

GPS trafic

În orice mod, conectați iPhone-ul la intrarea Aux IN și activați funcția GPS la telefon (aparatul trebuie să aibă această funcție)

Setați AEM ON, volumul radio-ului va scădea. Dacă funcția GPS trafic nu se mai recepționează, radio-ul va reveni la volumul normal.

Setarea implicită a modului AEM este AEM ON.

AEM ON

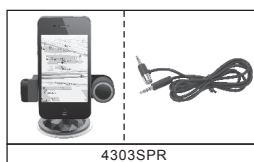
Apasați lung tasta SEL, apoi apăsați scurt SEL pentru a selecta AEM ON/OFF, rotiți butonul de volum pentru a alege AEM ON și funcția devine activă.

AEM OFF

Apasați lung tasta SEL, apoi apăsați scurt SEL pentru a selecta AEM ON/OFF, rotiți butonul de volum pentru a alege AEM OFF și funcția devine inactivă.

Cu funcția AEM ON, orice sursă audio de la iPhone poate fi redată la aparat.

În figura de mai jos se arată modelele de suport iPhone care sunt disponibile.



5. IPH (iPhone Handfree)

Răspundeți la un apel telefonic

Pe orice mod, conectați iPhone-ul la intrarea AUX IN, când recepționați un apel, apăsați tasta PLAY sau butonul de răspuns de la iPhone pentru a răspunde apelului.

Apasați din nou pentru a întrerupe convorbirea. Pe durata cât răspundeți la telefon, volumul sunetului de la aparat se reduce automat, urmând să revină la volumul normal după 5 secunde de la terminarea convorbirii.

Pentru o recepție mai bună a convorbirii telefonice apăsați lung tasta MU pentru a intra în modul telefon când răspundeți. Dacă apăsați din nou lung pe tasta MU, aparatul revine la modul anterior convorbirii.

• Funcțiile IPC, AEM IPH sunt suportate de iPhone precum și de unele smart-phone din gama Motorola, HTC, T-Mobile, BlackBerry, LG și Samsung (care sunt compatibile cu soclul iPhone 4H/3.5 mm) – de ex. Motorola XT615, LG920, Samsung GalaxyNote, etc.

Lista cu telefoanele compatibile nu este garantată și se poate schimba fără o instigare prealabilă. În figura de mai jos se arată modelele de suport iPhone care sunt disponibile.



Peiying[®]

www.peiying.eu